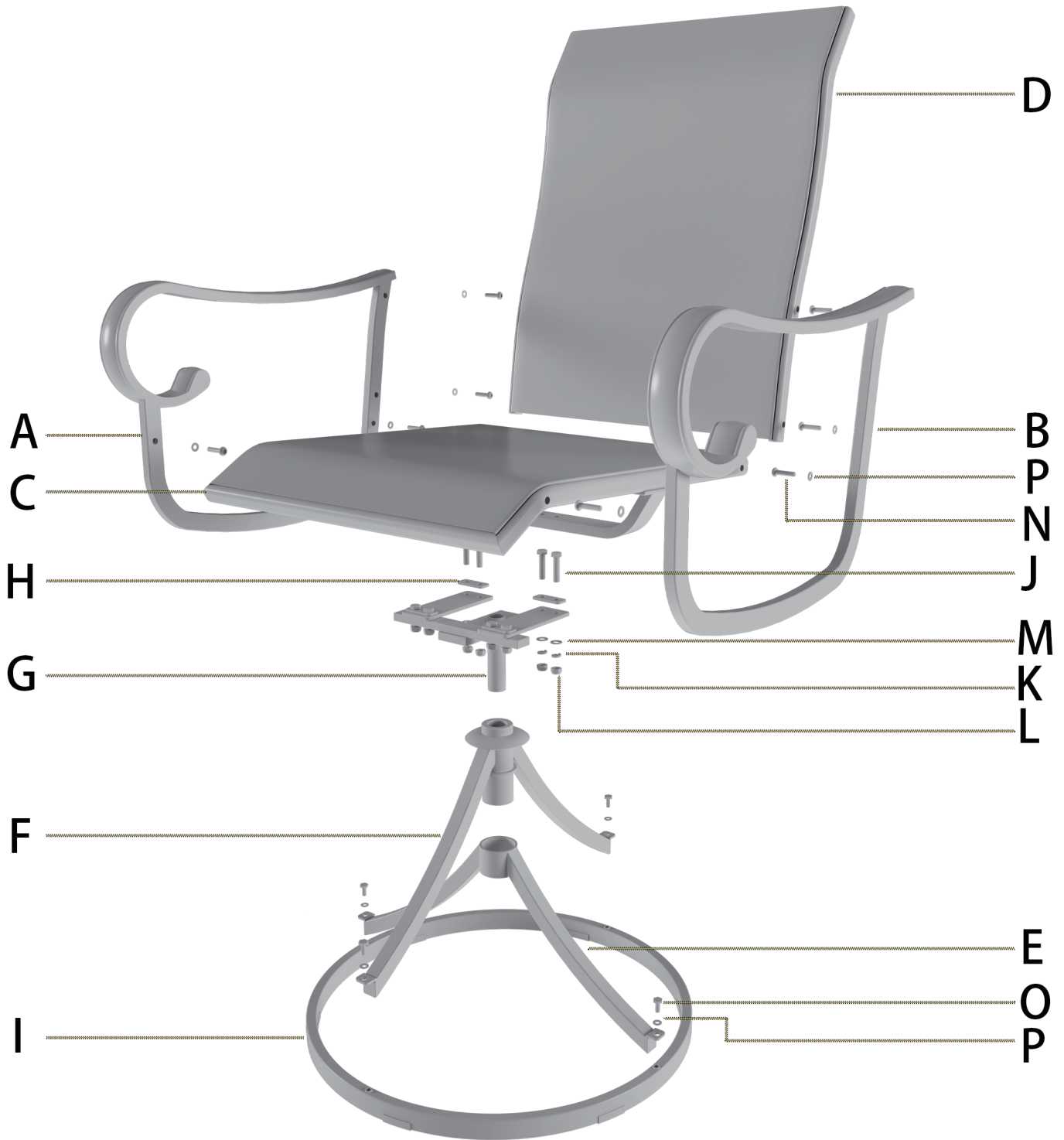


# Assembly Instruction



If you have any question about the installation, please do not hesitate to contact us, we will reply to you within 24 hours and do our best to help you solve all problems.

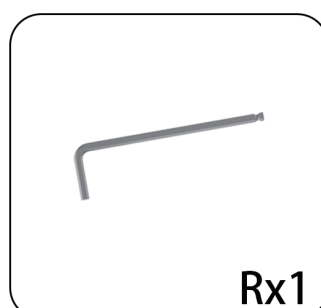
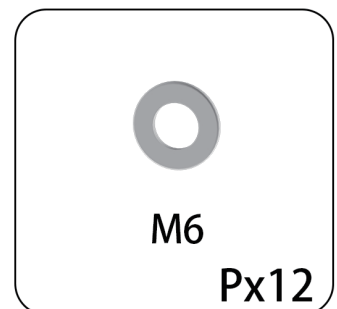
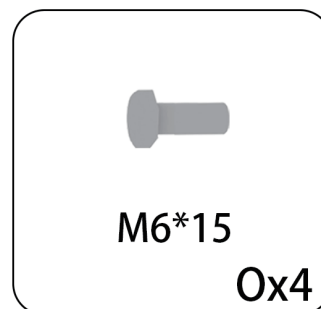
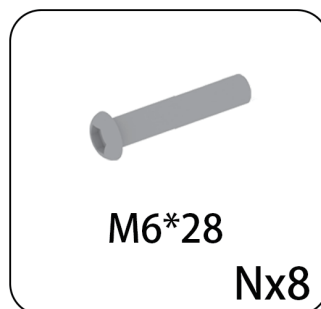
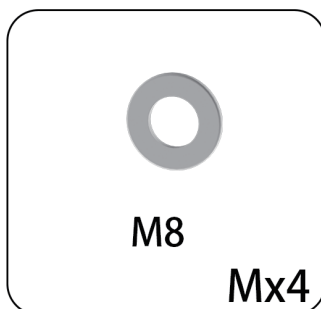
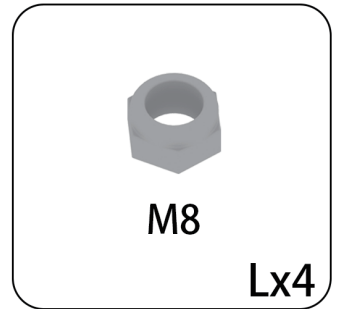
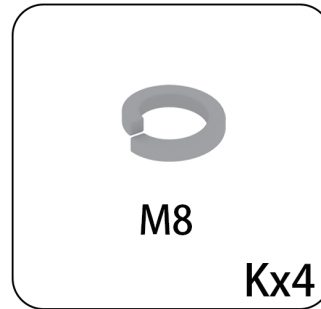
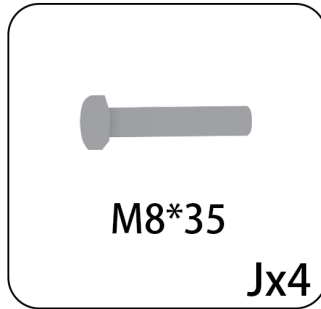
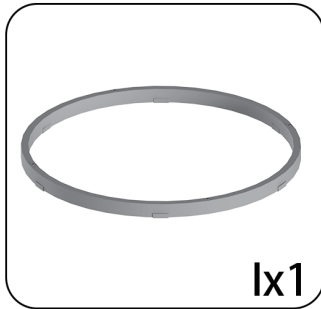
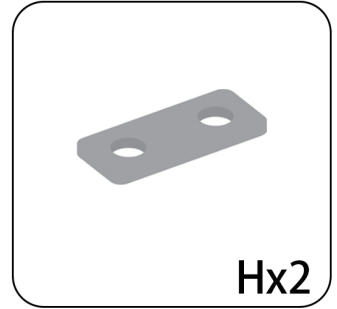
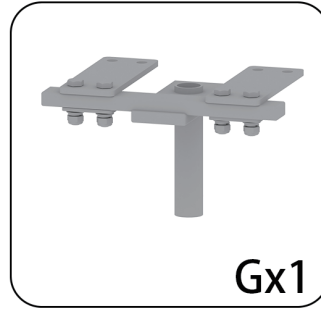
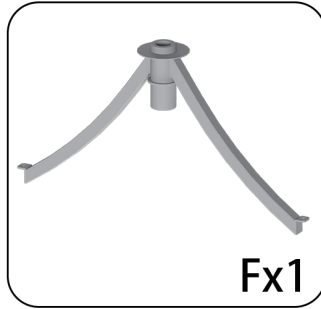
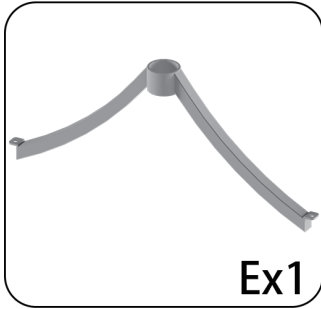
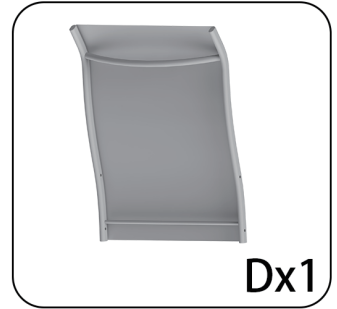
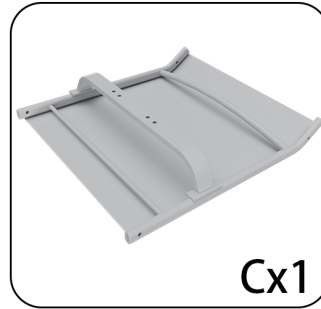
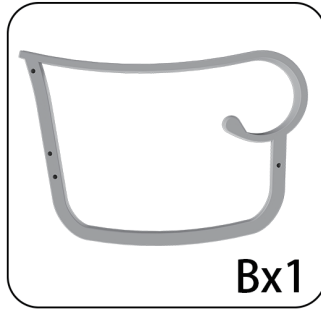
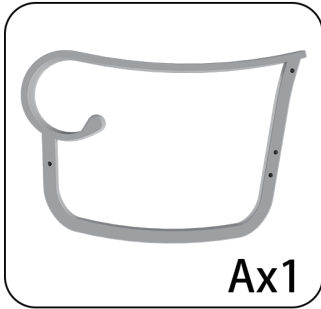
# Exploded Drawing



## Cleaning and Maintenance

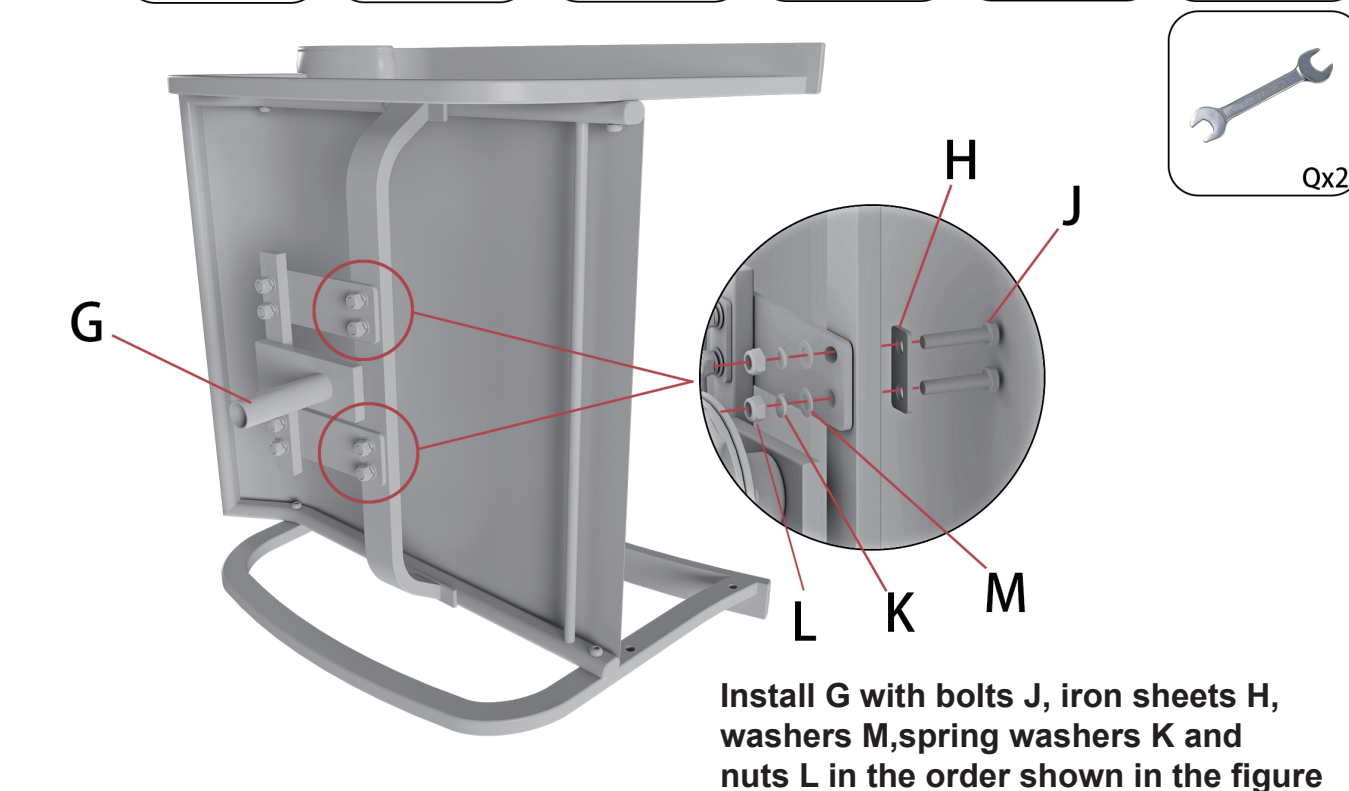
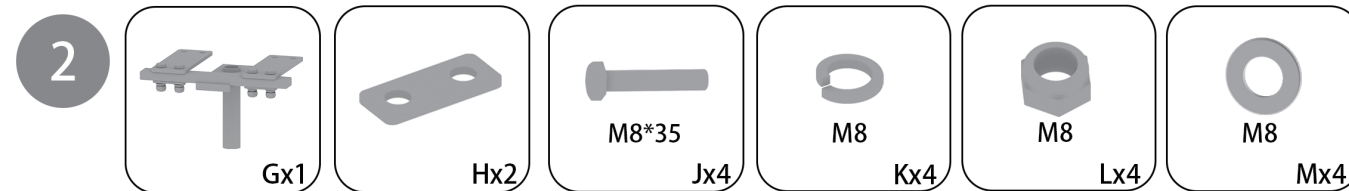
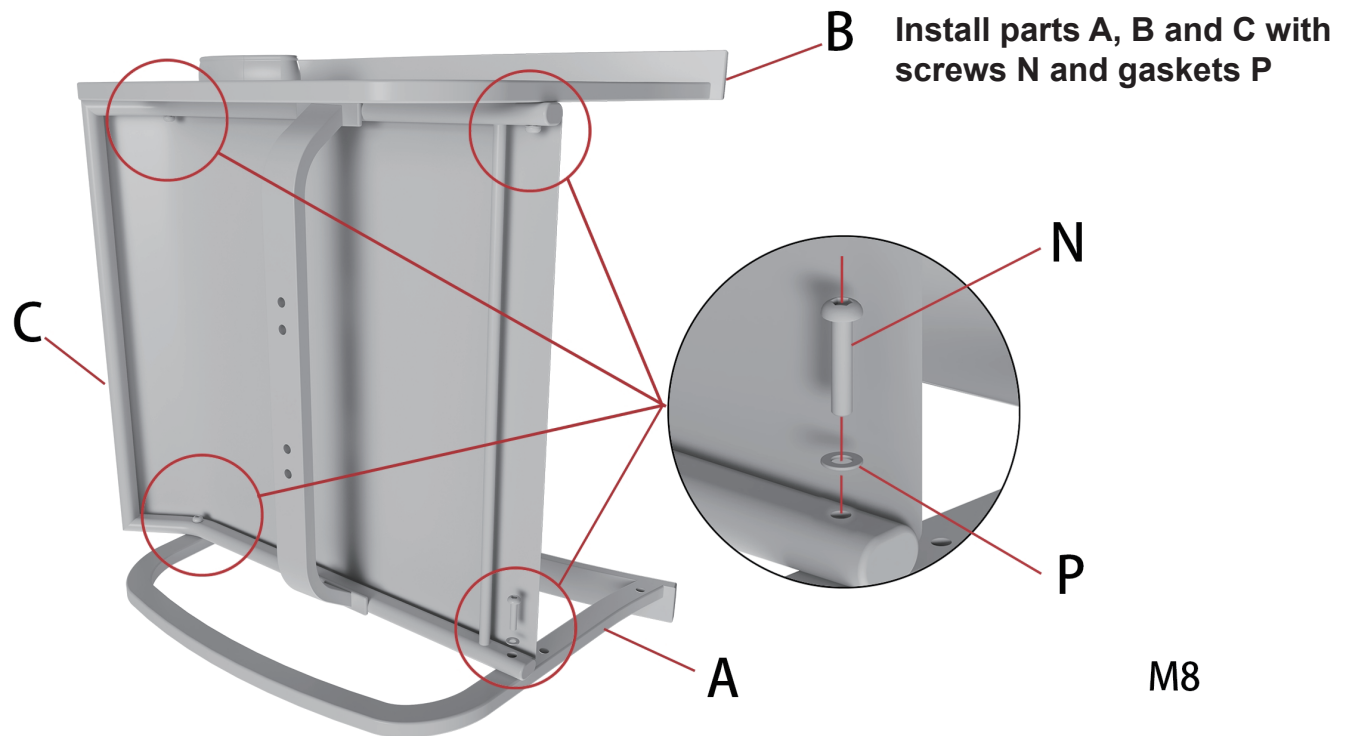
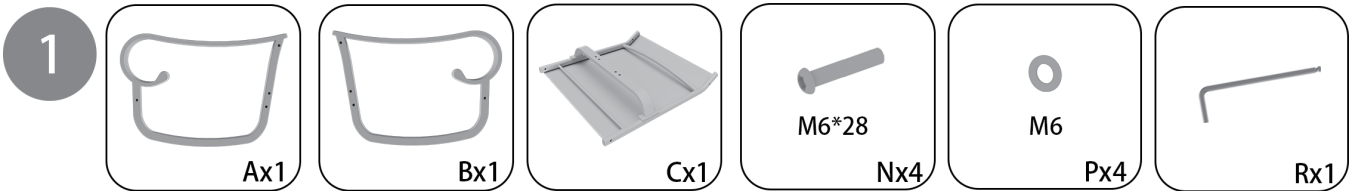
1. Clean the furniture with damp cloth, rinse thoroughly. Dry frame parts completely. Do not use bleach, acid or other solvents on the wicker or metal parts.
2. We recommend the use of furniture covers to protect the product when not in use.
3. Inspect and tighten all SCREW on a regular basis to ensure proper performance and safety.
4. In order to prolong the life and beauty of your Item, we recommend storing it in a dry and protected area during off season periods.

# Parts List

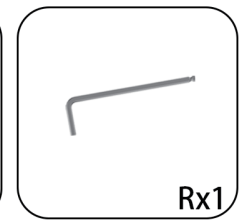
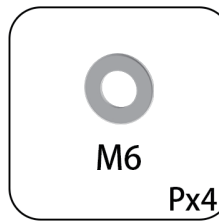
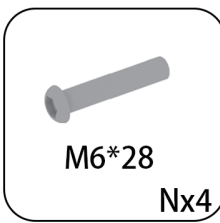


**Please ensure you follow these instructions**

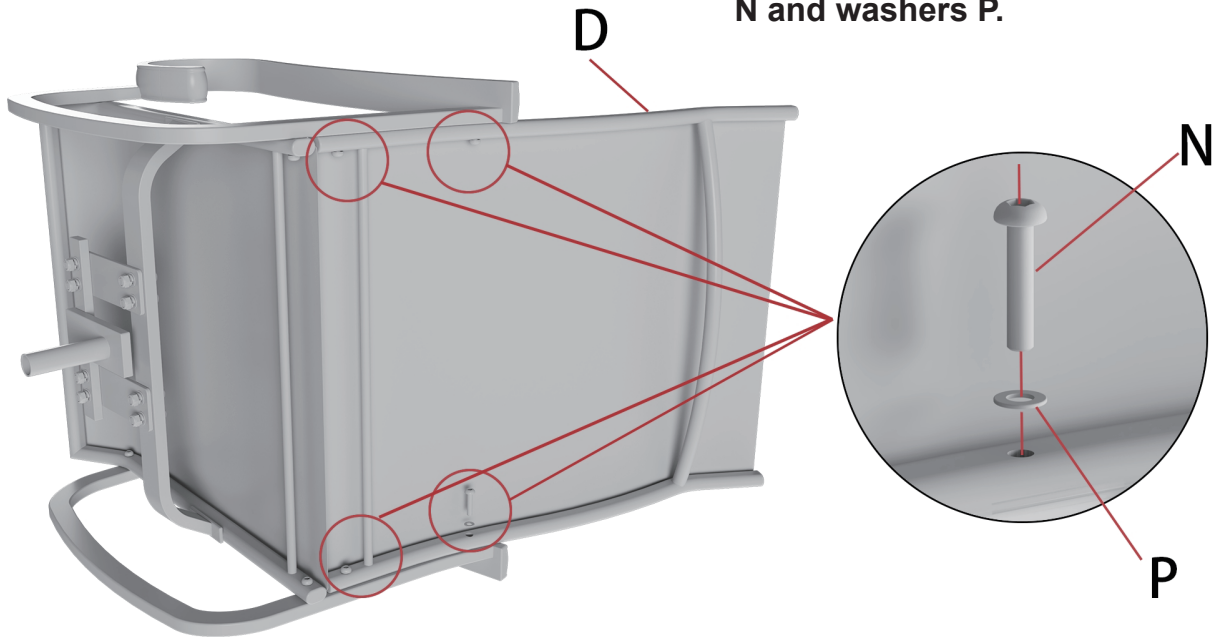
It is incorrect to completely tighten the screws at the very beginning during the installation process. Just make sure that all the components can be fixed in place. Please wait until all the screws are installed before tightening them one by one.



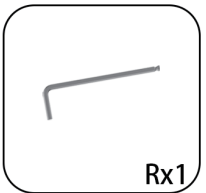
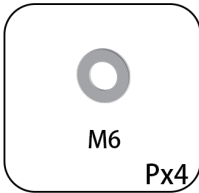
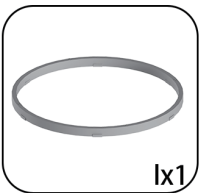
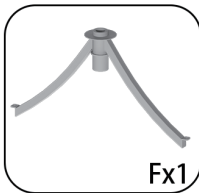
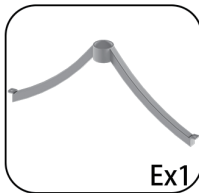
3



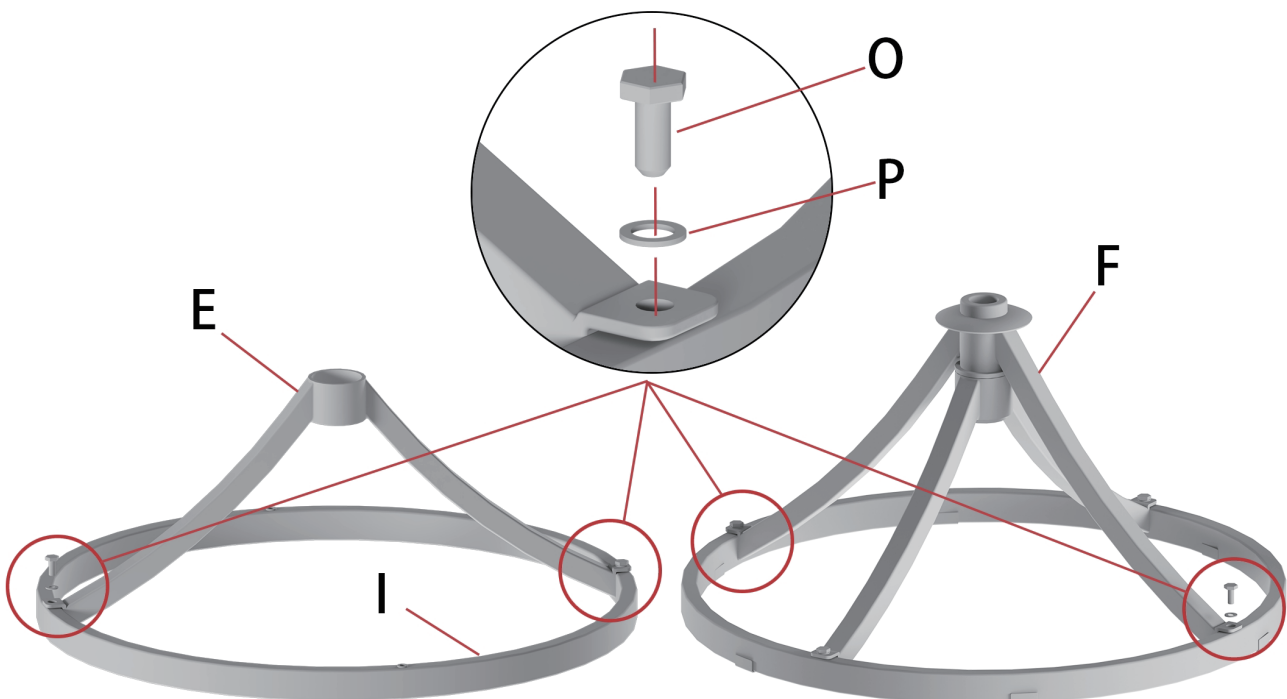
Install component D with screws N and washers P.



4



First, Install E with screw O and washer P, and then insert F from the top to secure it



5

Insert the component from the third step into the component from the fourth step



6



# AFTER-SALE SERVICE

If you have any suggestions for our products or find that the products have quality problems, please contact us first, our after-sales team will reply you within 24 hours, and we will do our best to give you solutions until you are satisfied.

## Guaranteed Customer Service

Your shopping experience is very important to us!  
Feel unsatisfied? **Contact us!**  
Have any questions? **Contact us!**

Wanna share your experience with our products?  
Share your pictures with us.

Any suggestions? **Contact us!**  
We gotcha back!