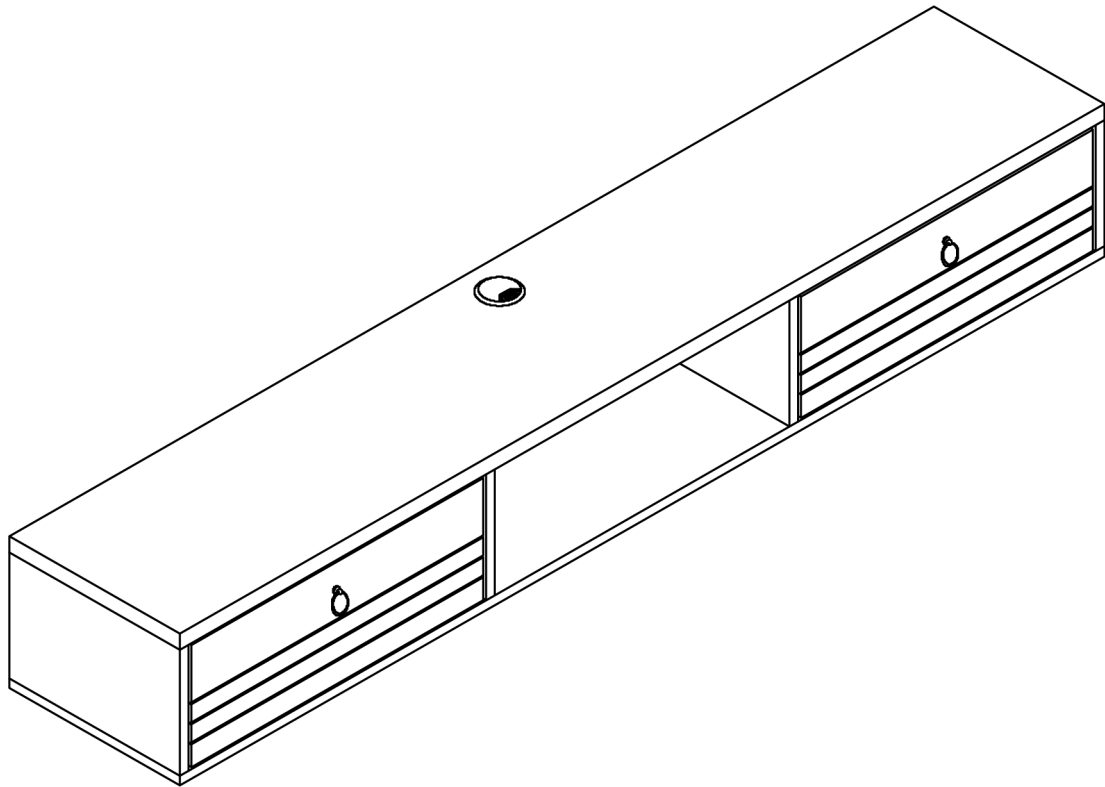


# Floating Wall Mounted TV Console



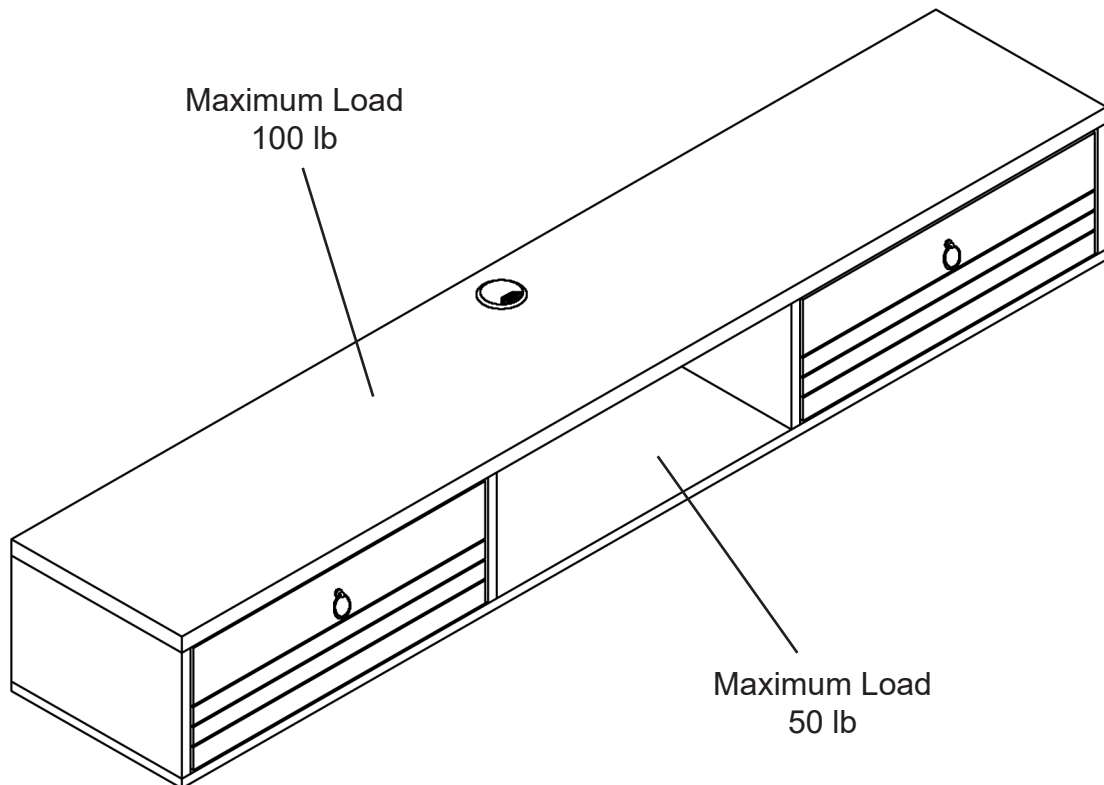


Estimated time for assembly:

**100 mins**



Weight limitations are as follows:





Assemble the furniture on an empty carton, carpet, or rug to prevent scratches or damage.

For safety, please keep pets and children away from the assembly area.

Ensure the product is fully assembled before use. If you are missing any hardware or products, do not use it until you have restored the missing parts.



This furniture requires 2 people for assembly.

Read this instruction manual prior to assembly to familiarize yourself with the various steps.

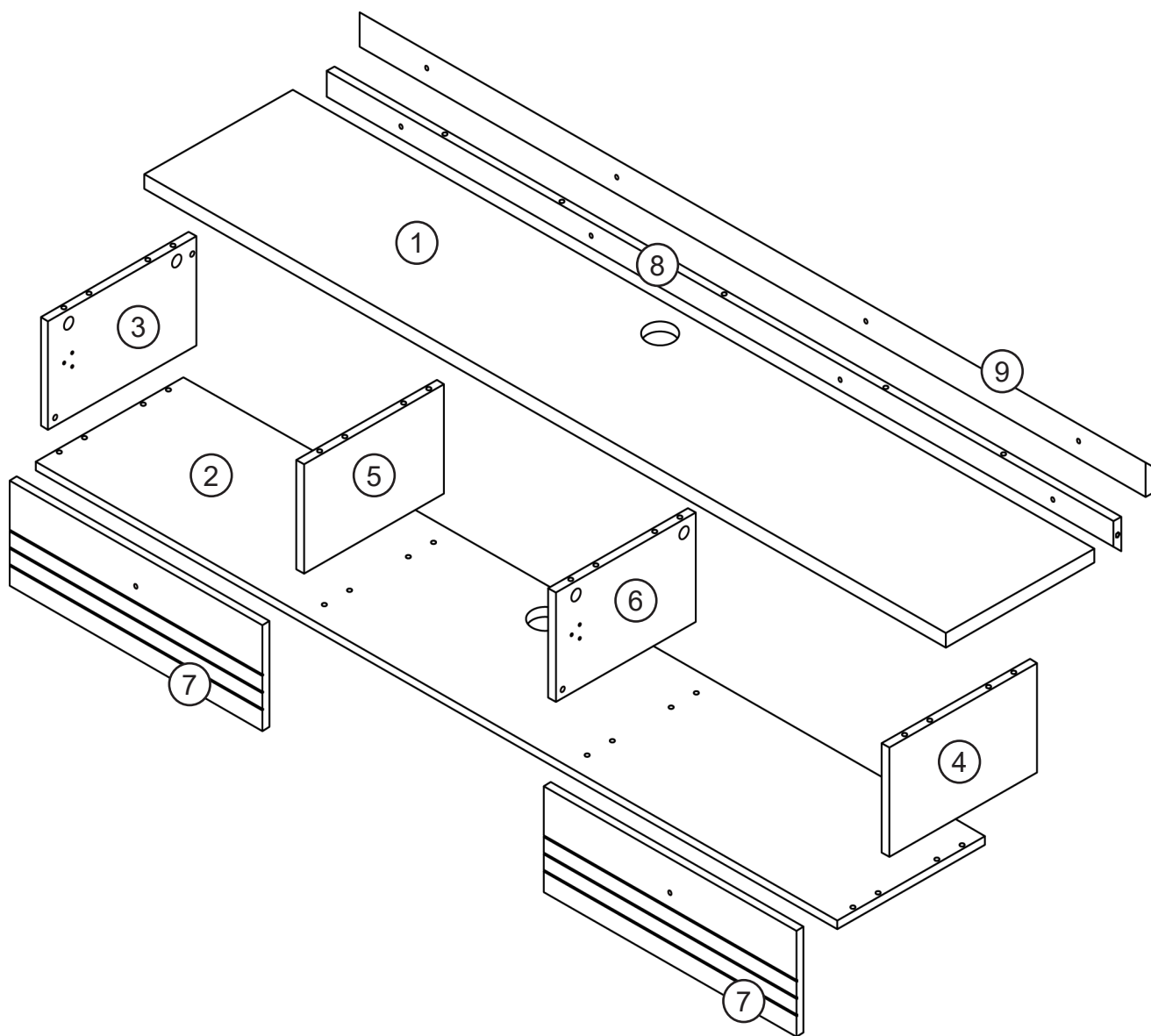
Lay out all components and hardware separately on a flat surface and make sure that no parts are missing or damaged before assembly. Do not destroy or discard any packaging until you are certain that you have all the necessary parts for assembly.

## **CAUTION**

There are small components used in the construction of this product. Loose items should be kept away from pets and children to avoid a choking hazard.

Keep all plastic bags and packaging film away from pets and children to avoid suffocation.

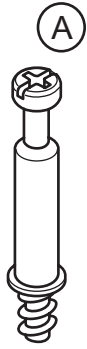
# PACKAGE CONTENTS



# PACKAGE CONTENTS

CODE	DESCRIPTION	QTY
1	Top Panel	1
2	Bottom Panel	1
3	Left Panel	1
4	Right Panel	1
5	Left Medial Panel	1
6	Right Medial Panel	1
7	Cabinet Door	2
8	Upper Cleat	1
9	Lower Cleat	1

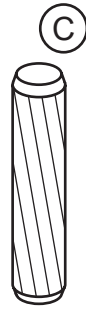
# PACKAGE CONTENTS



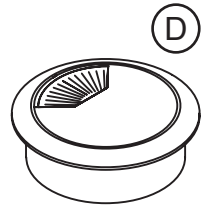
13x + 1x



13x + 1x



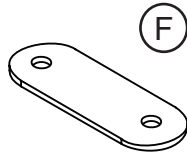
18x + 1x



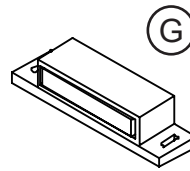
1x



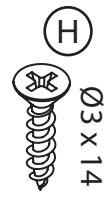
14x + 1x



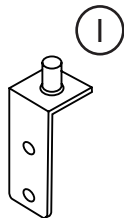
2x



2x



4x



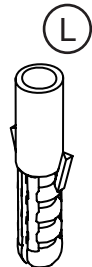
4x



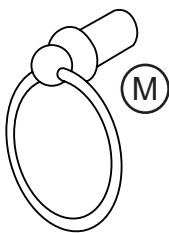
8x



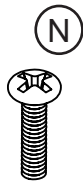
8x



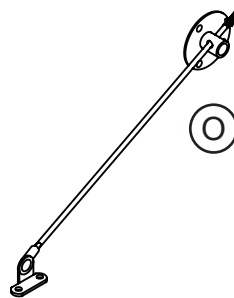
8x



2x



2x



2x

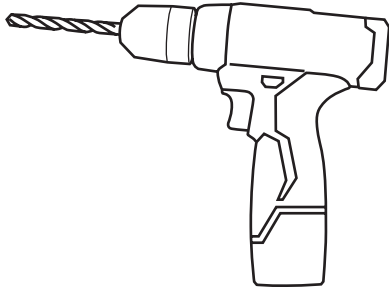


8x



Install all hardware perpendicular to the opening.

Required tools for assembly (Not included)

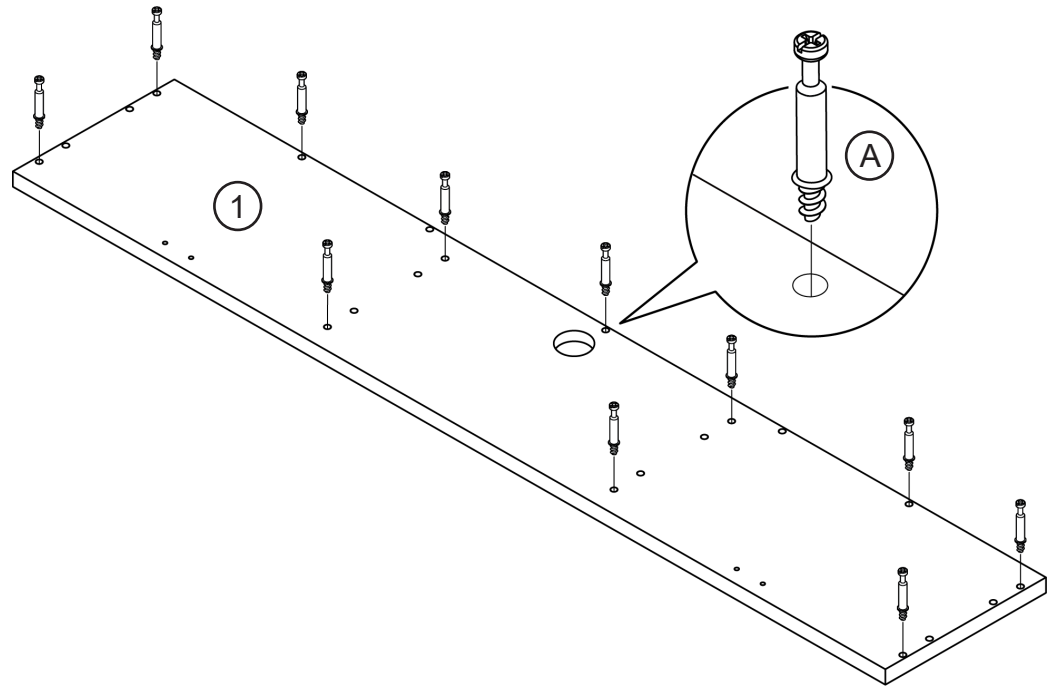


**1**

Attach cam bolts to the underside of the top panel (1).

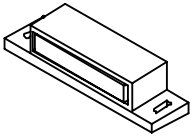


(A) 11x



# 2

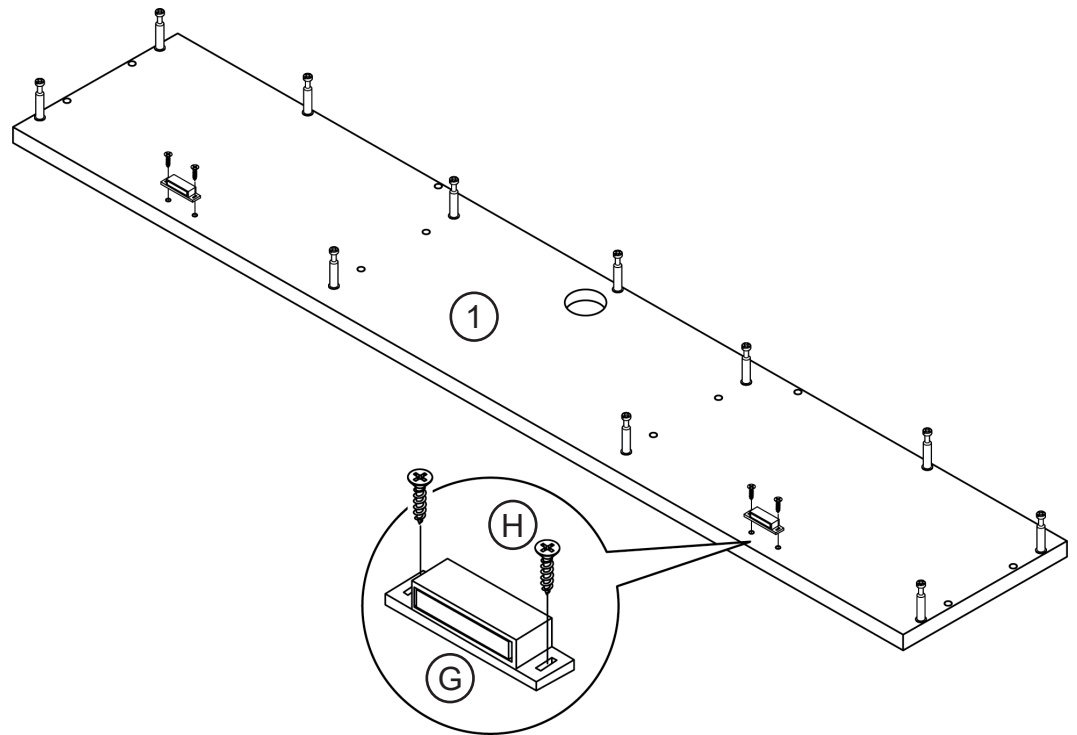
Attach magnetic catches to the underside of the top panel (1).



(G) 2x



(H) 4x

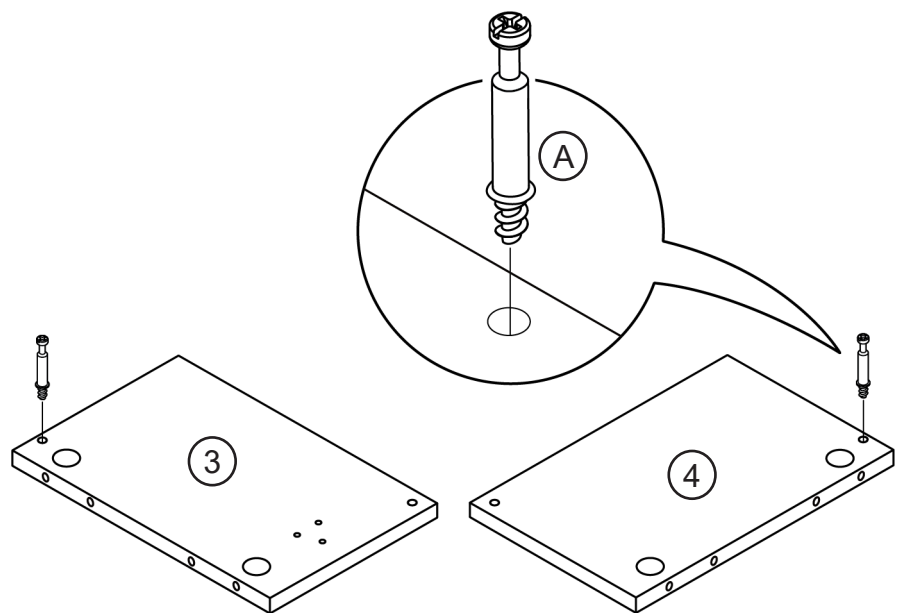


# 3

Attach the cam bolts to the left and right panel (3, 4).

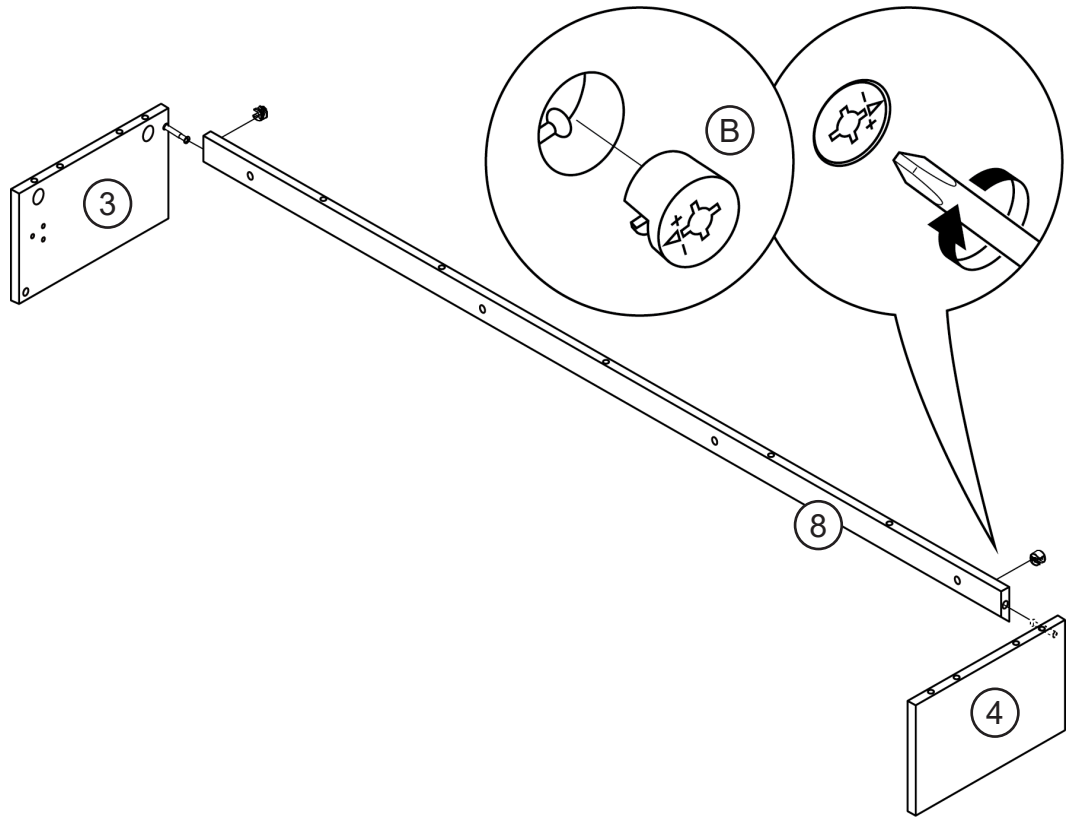


(A) 2x



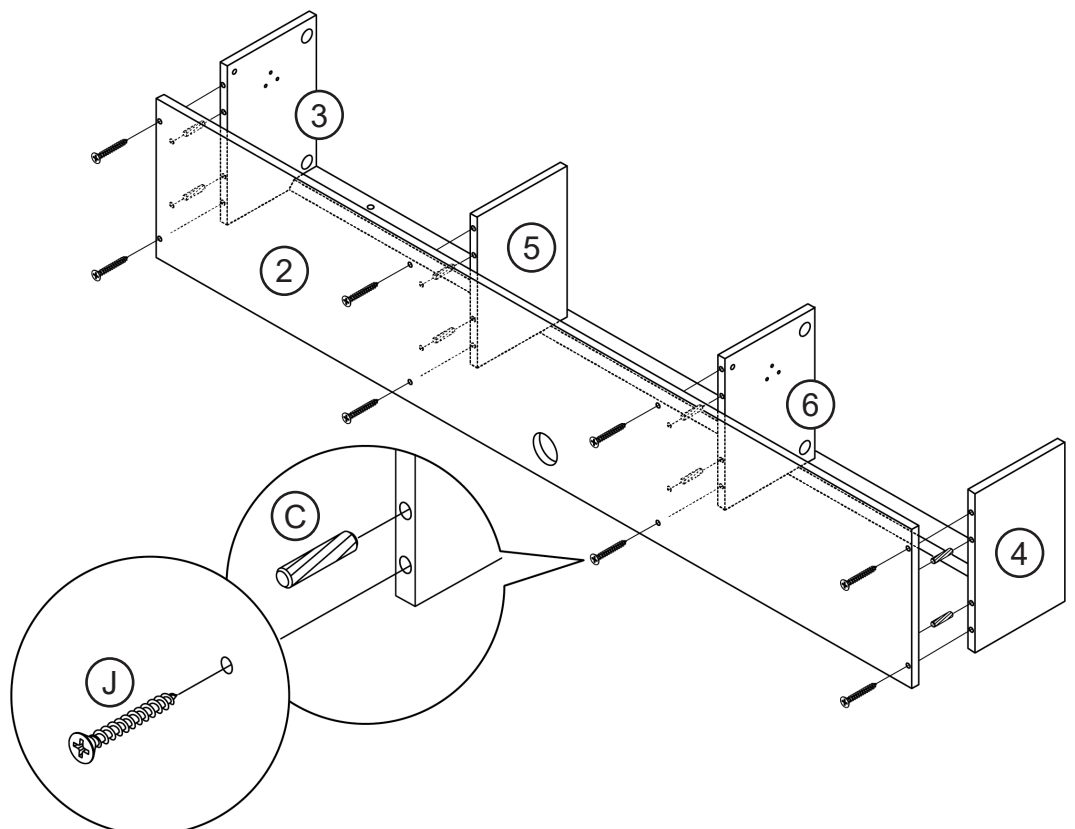
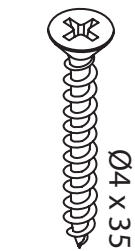
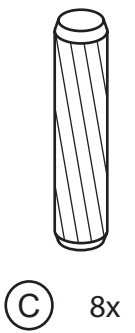
# 4

Attach the upper cleat (8) between the left and right panel (3, 4).



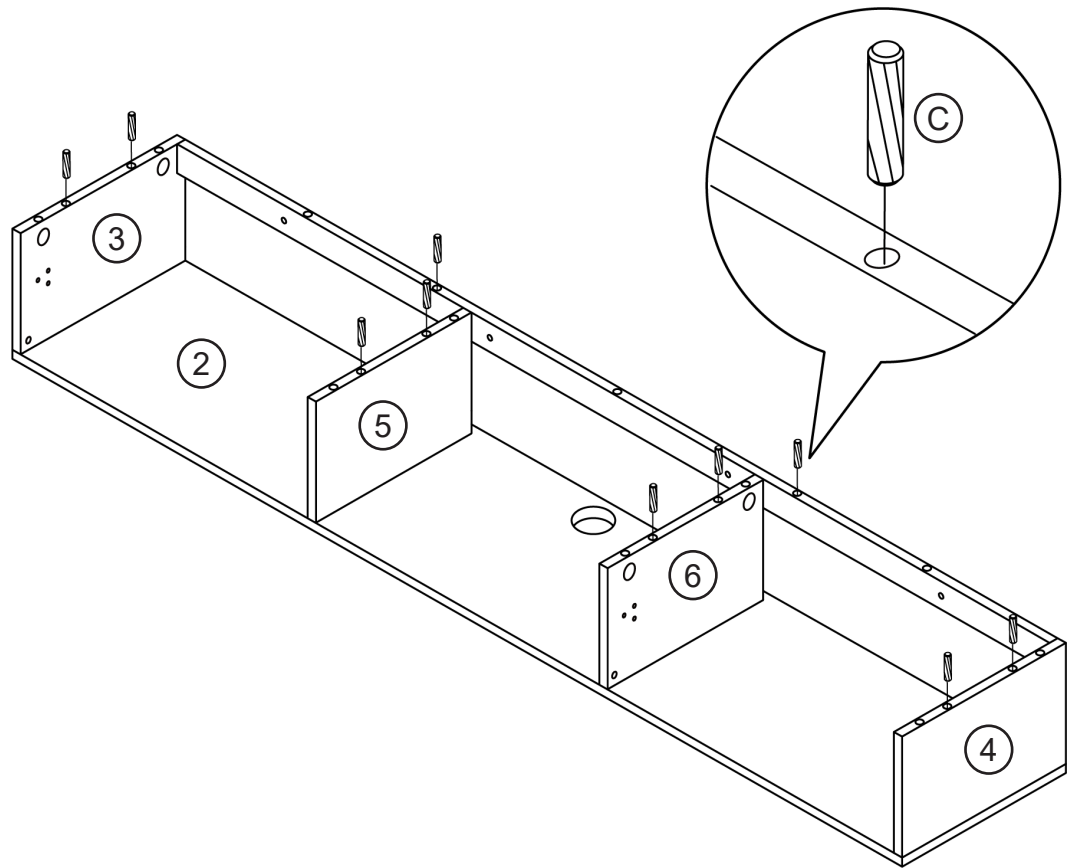
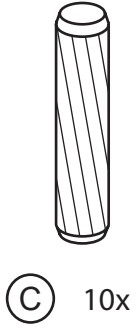
# 5

Assemble the side panels and medial panels to the bottom panel (2).



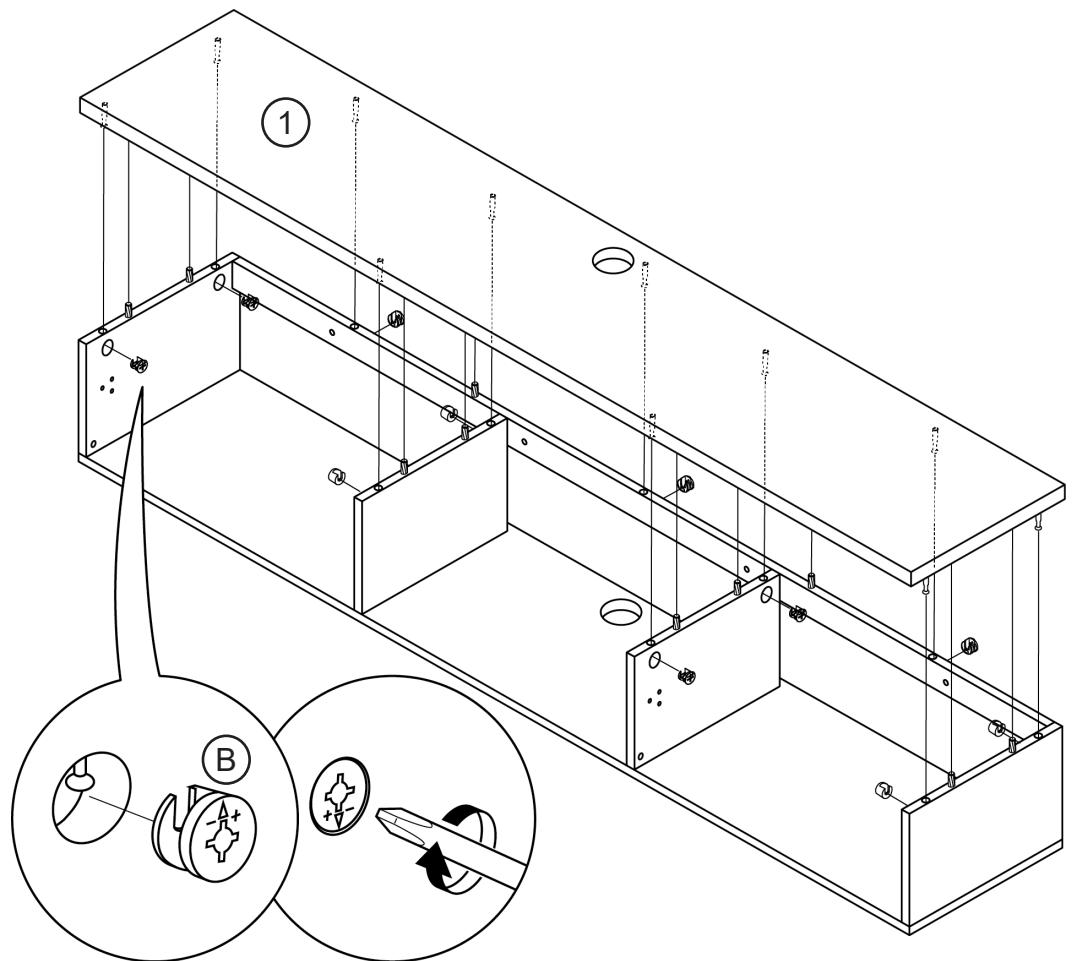
# 6

Insert wood dowels to the assembly.



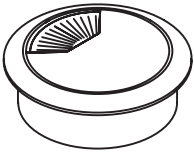
# 7

Assemble the top panel (1) on top of the assembly.

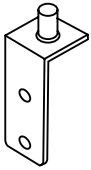


# 8

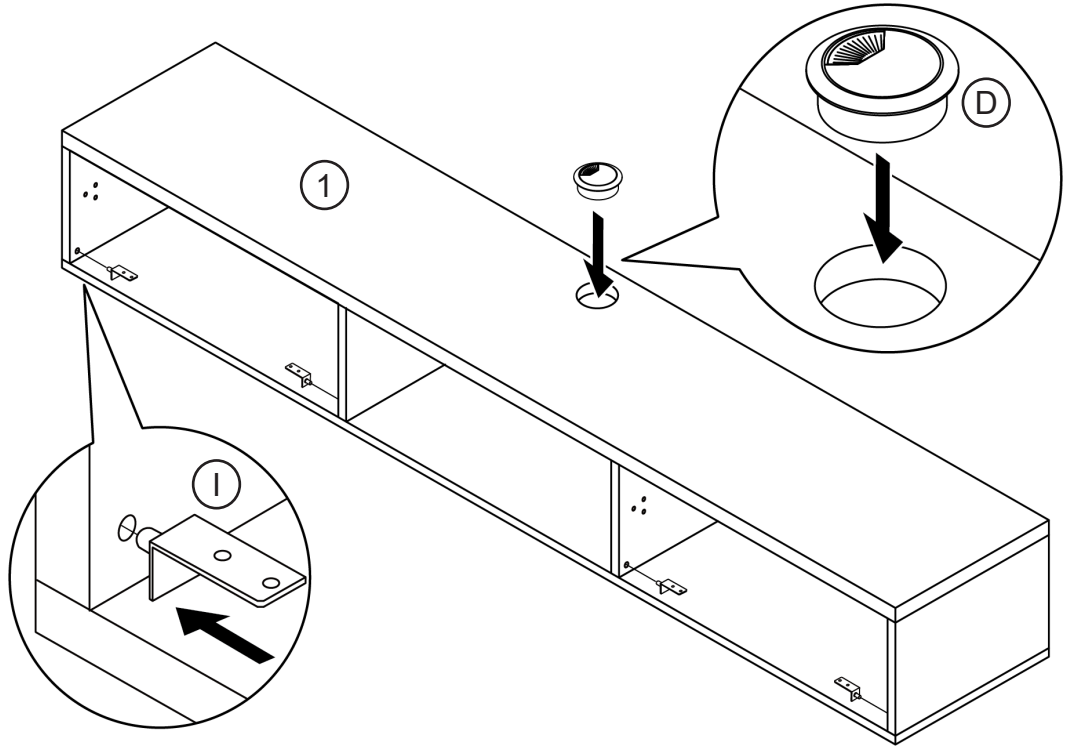
Attach the gormmet cover to the top panel and insert cabinet door pivot to the side panels and the medial panels.



(D) 1x

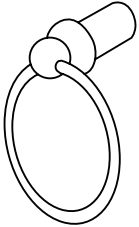


(I) 4x

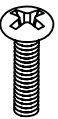


# 9

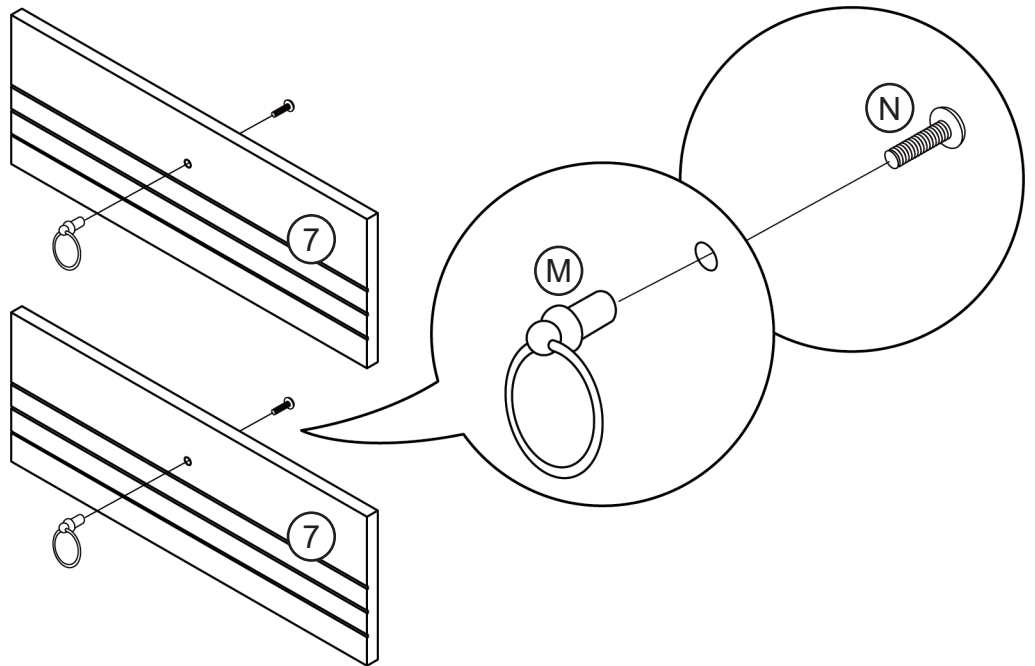
Attach door handles to the cabinet doors (7).



(M) 2x



(N) 2x

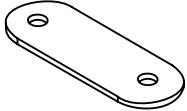


# 10

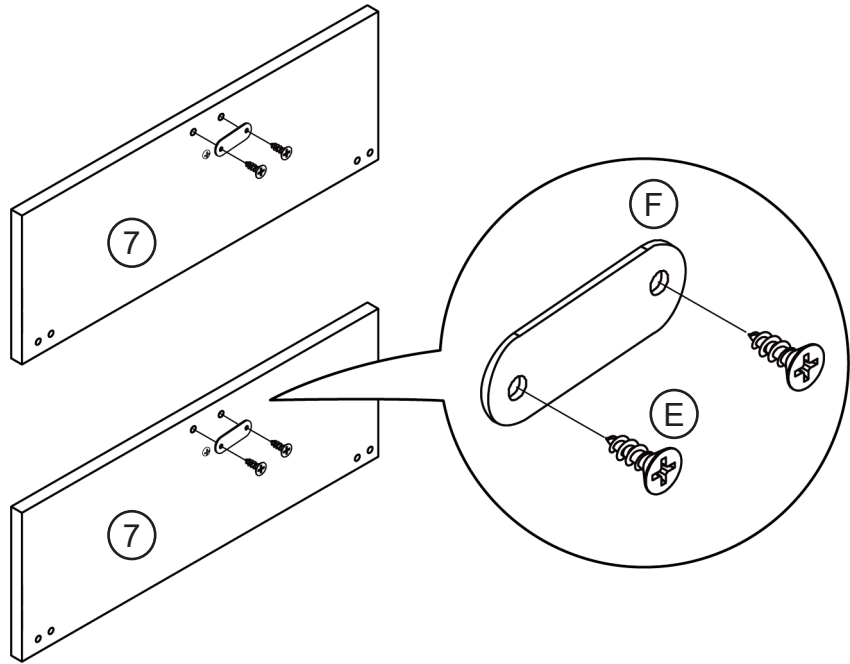
Attach the metal plates to the cabinet doors (7).



(E) 4x



(F) 2x

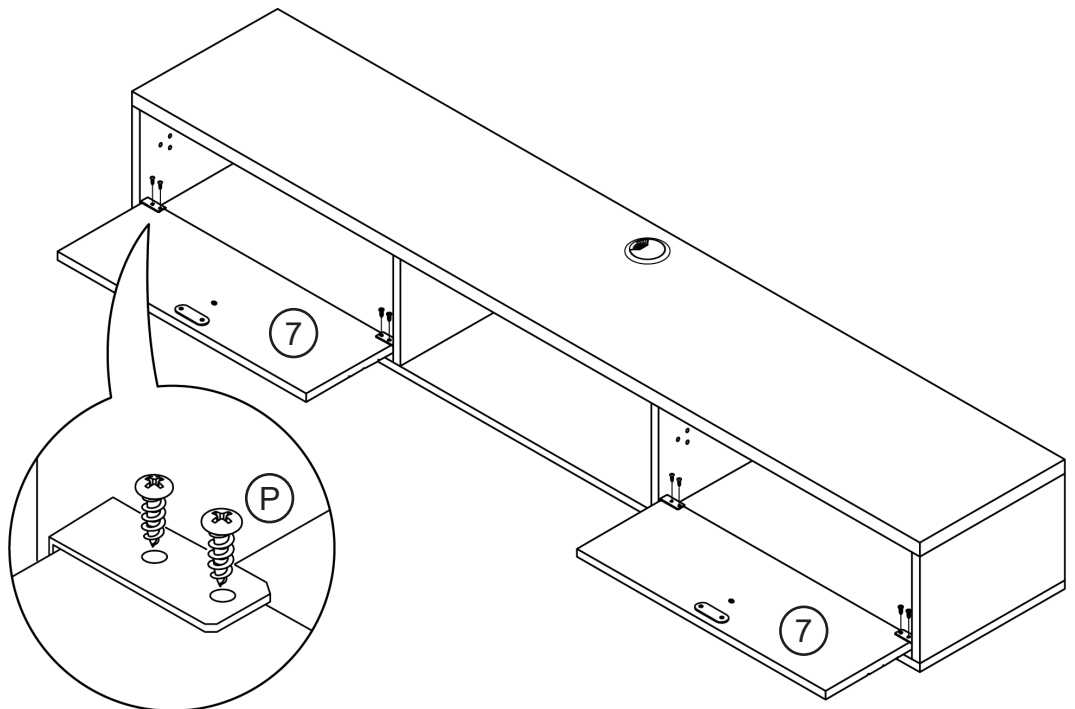


# 11

Attach the cabinet doors to the door pivot on the assembly.

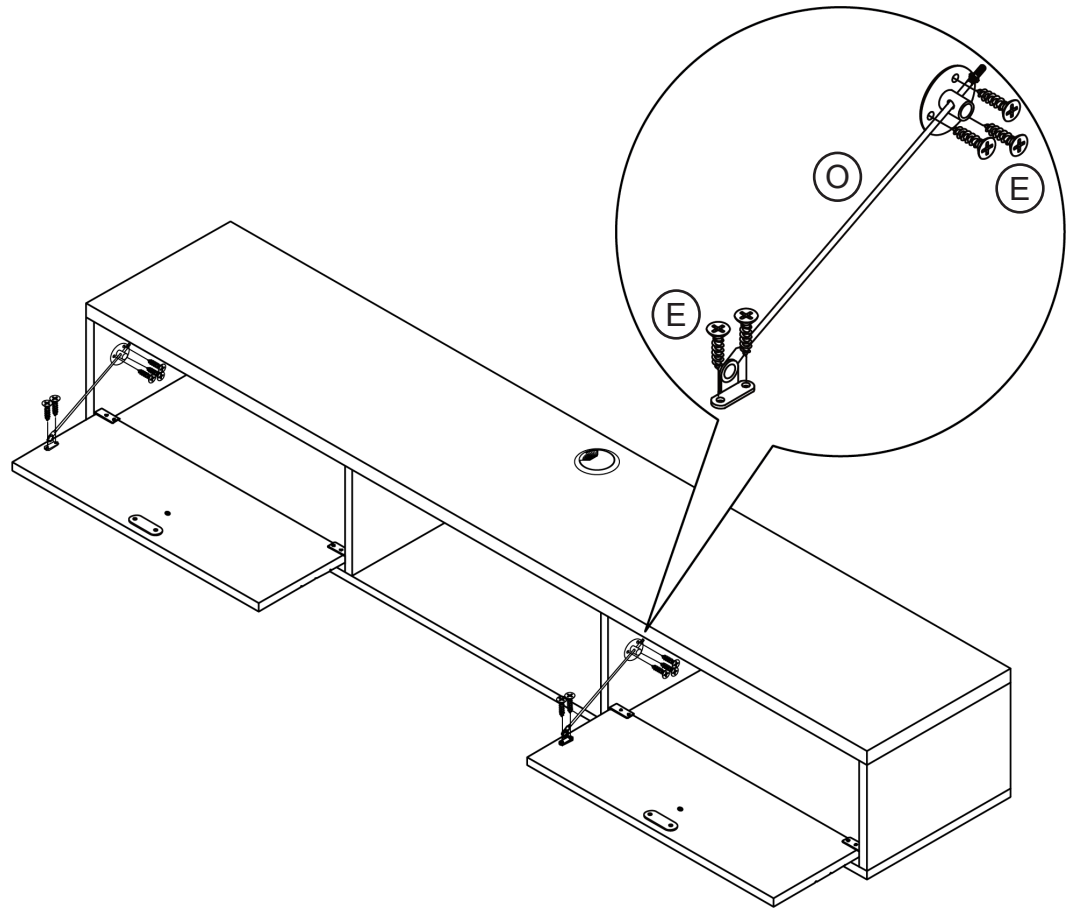
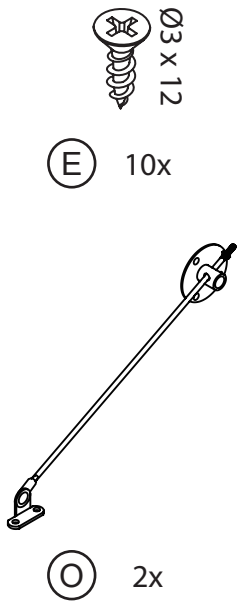


(P) 8x



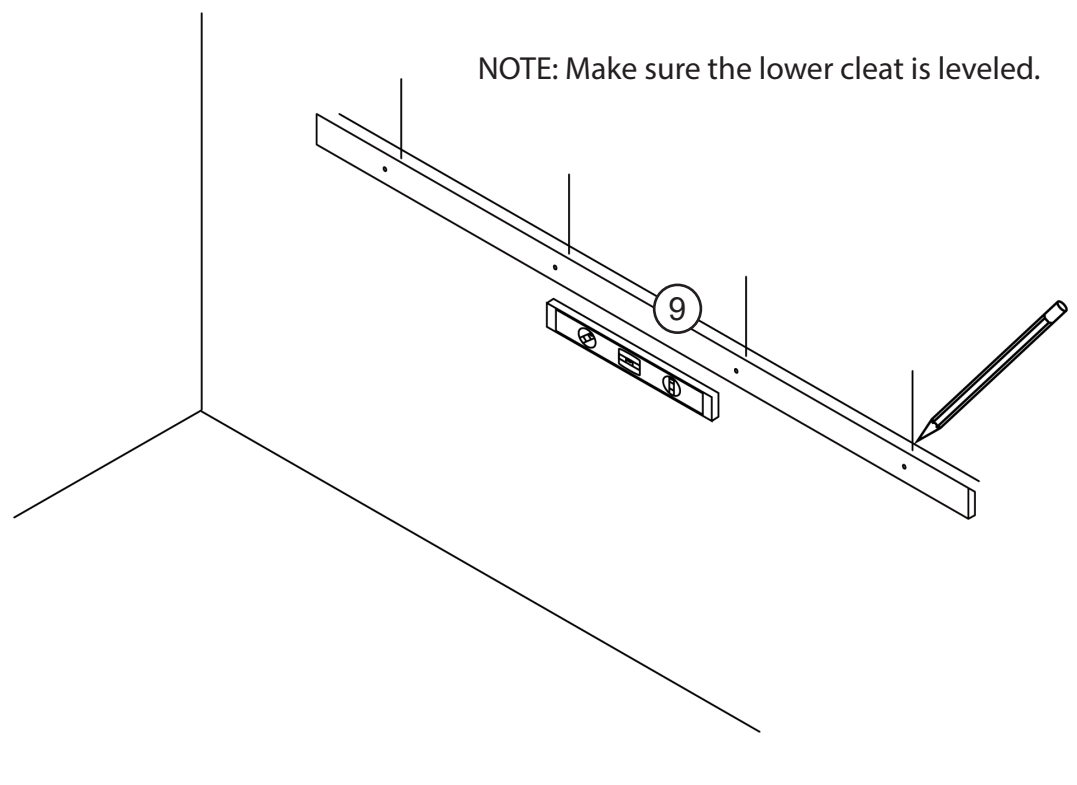
# 12

Assemble the connection rods connecting the cabinet doors and the main assembly.



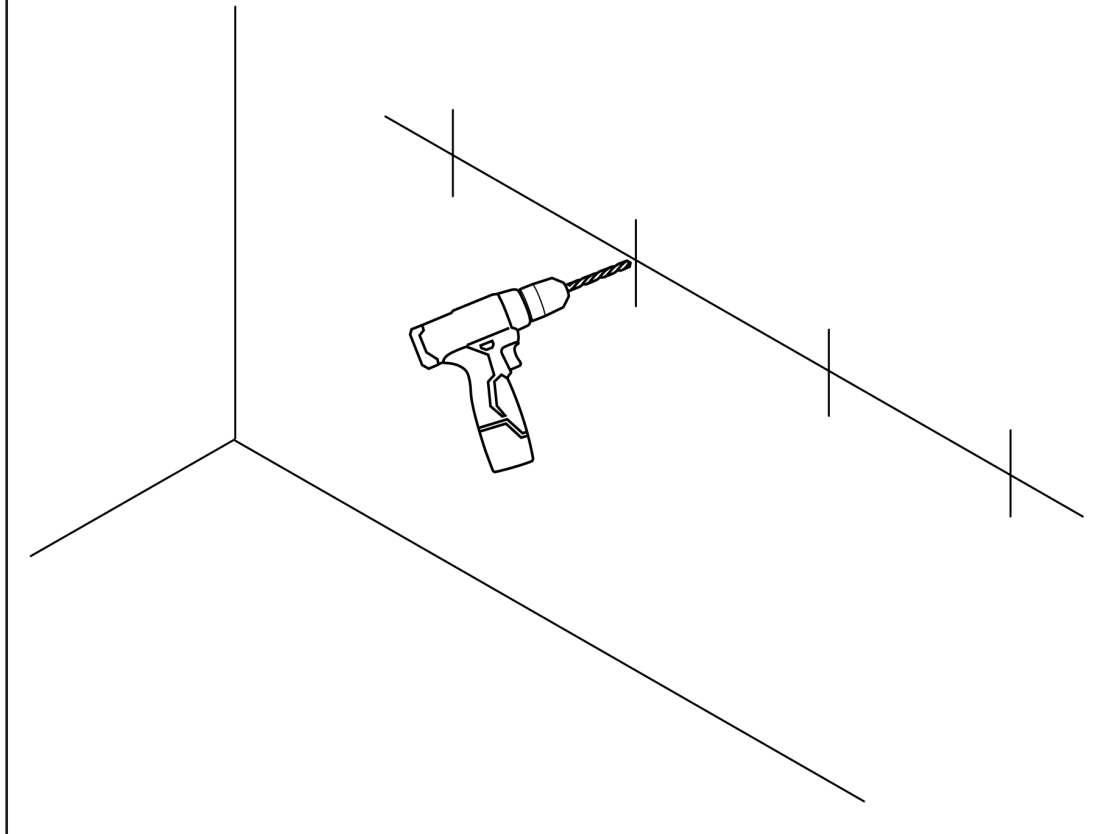
# 13

Draw out the drill positions on the wall using the lower cleat (9) as a template.



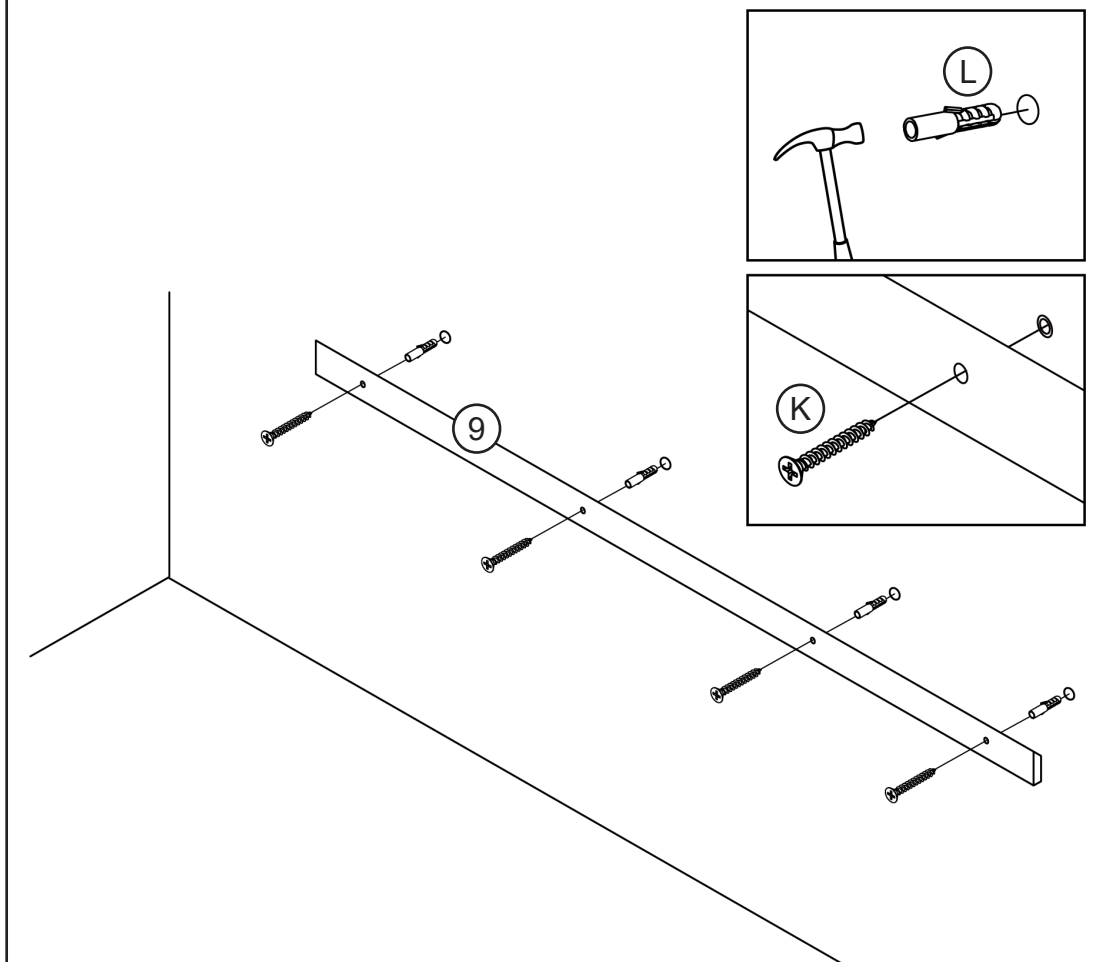
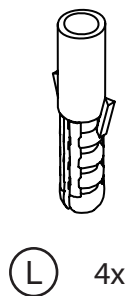
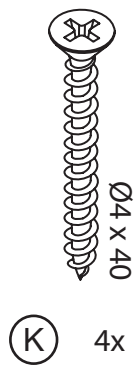
# 14

Drill holes on the wall according to the marked points.



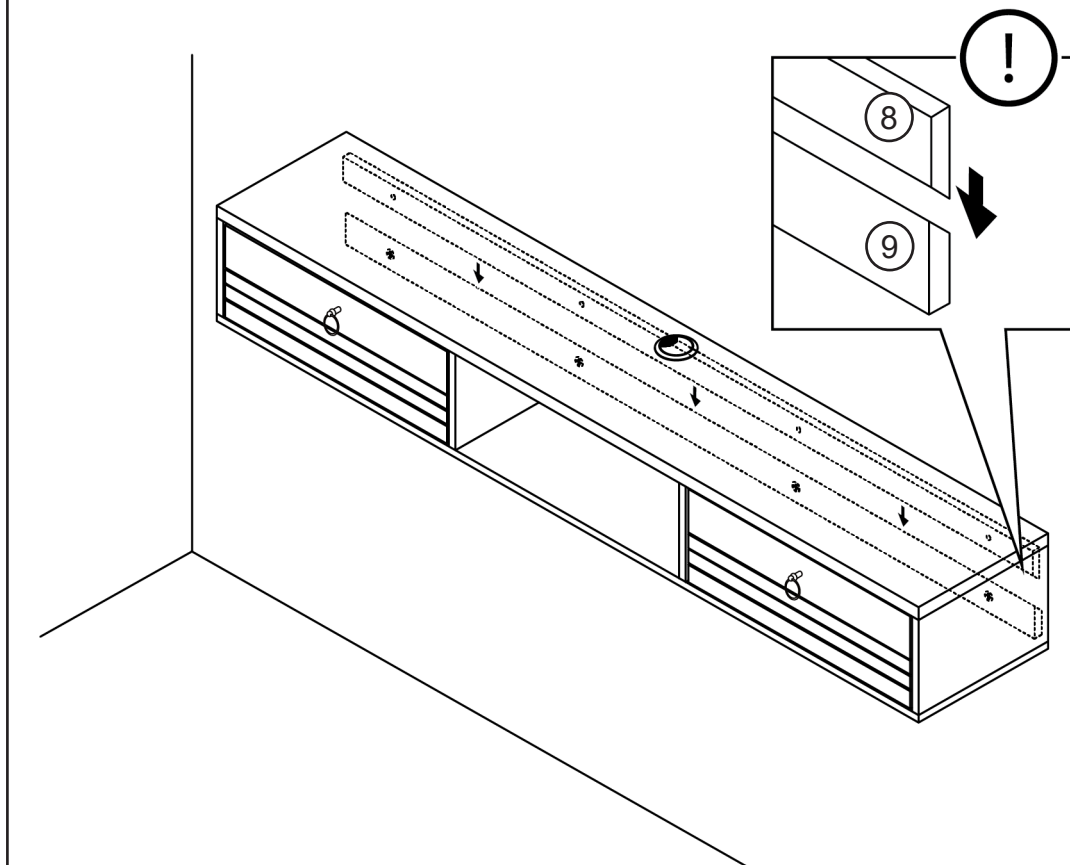
# 15

insert wall anchors into the drilled holes and attach the lower cleat to the wall.



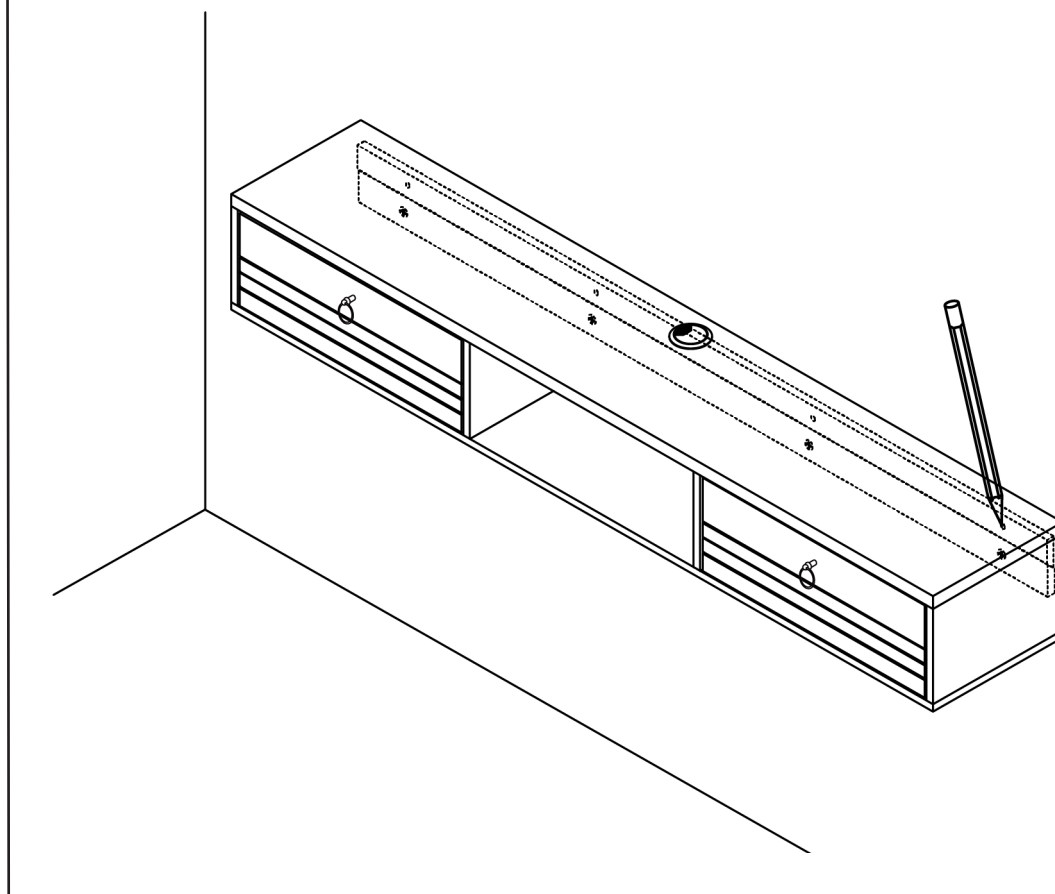
# 16

Hang the TV console on the lower cleat.



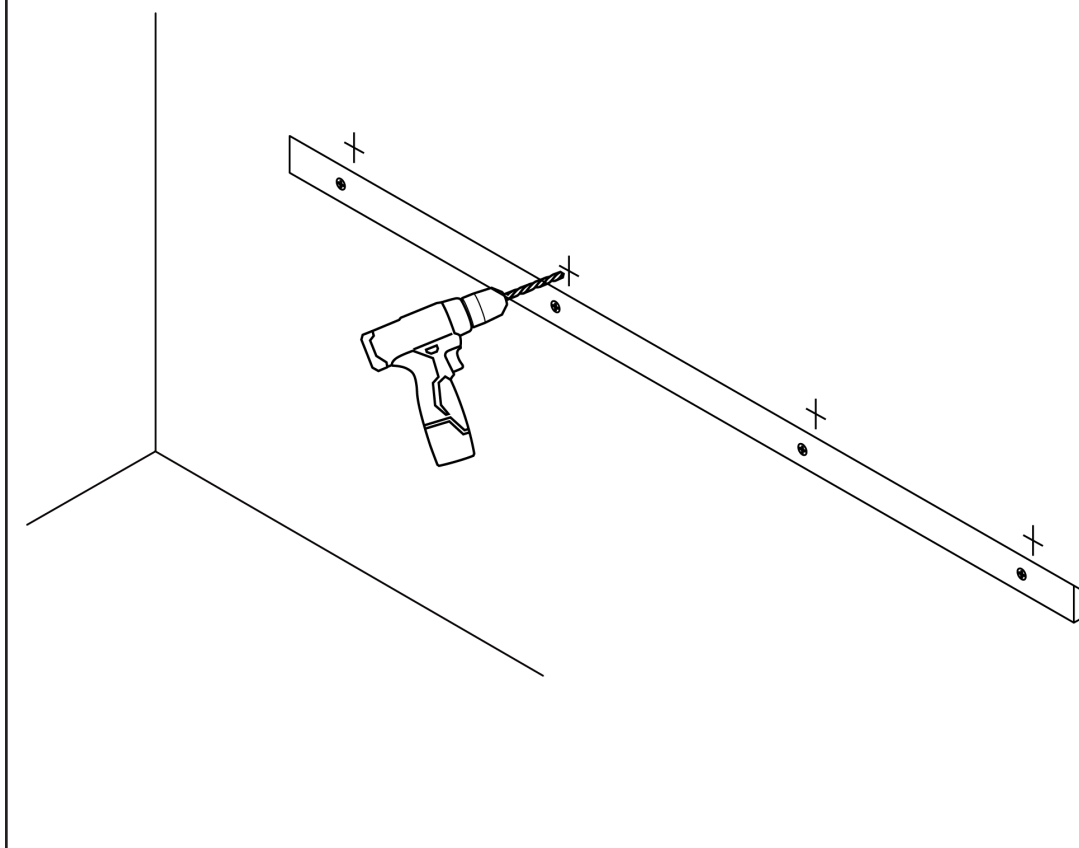
# 17

Mark the drill holes on the wall using the upper cleat on the TV console.



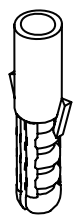
# 18

Drill holes on the wall according to the marked points.

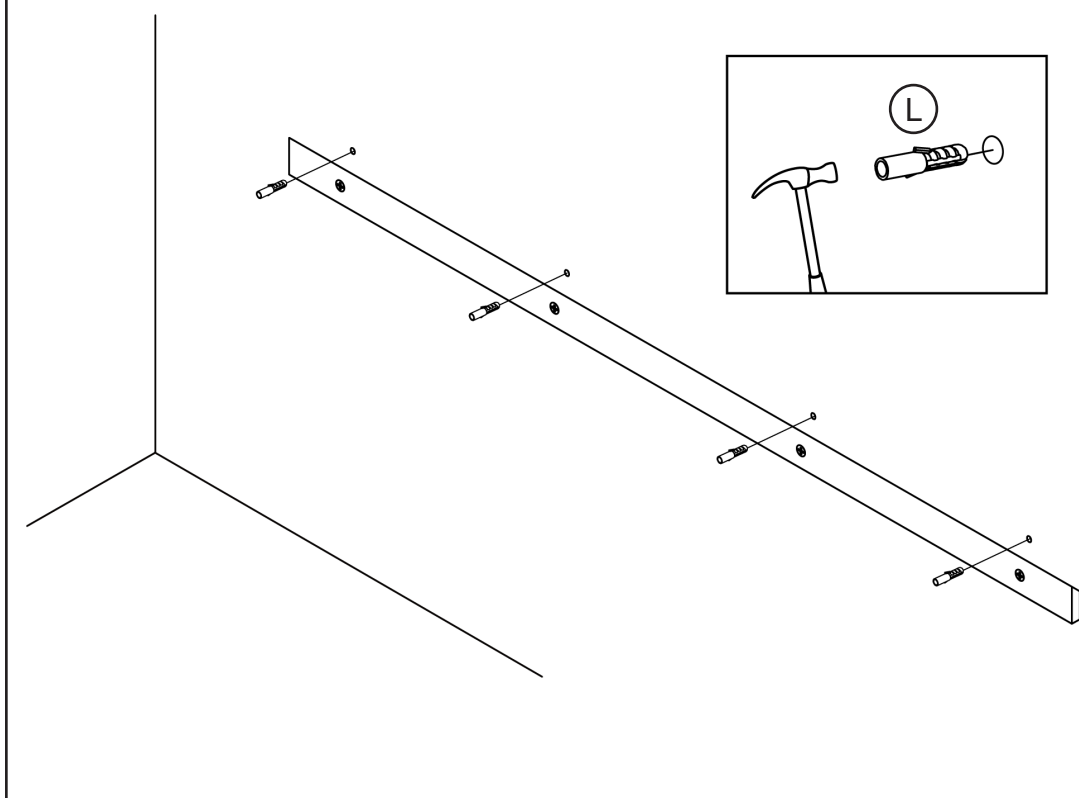


# 19

Insert wall anchors into the drill holes

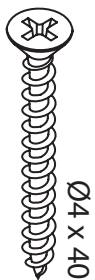


(L) 4x

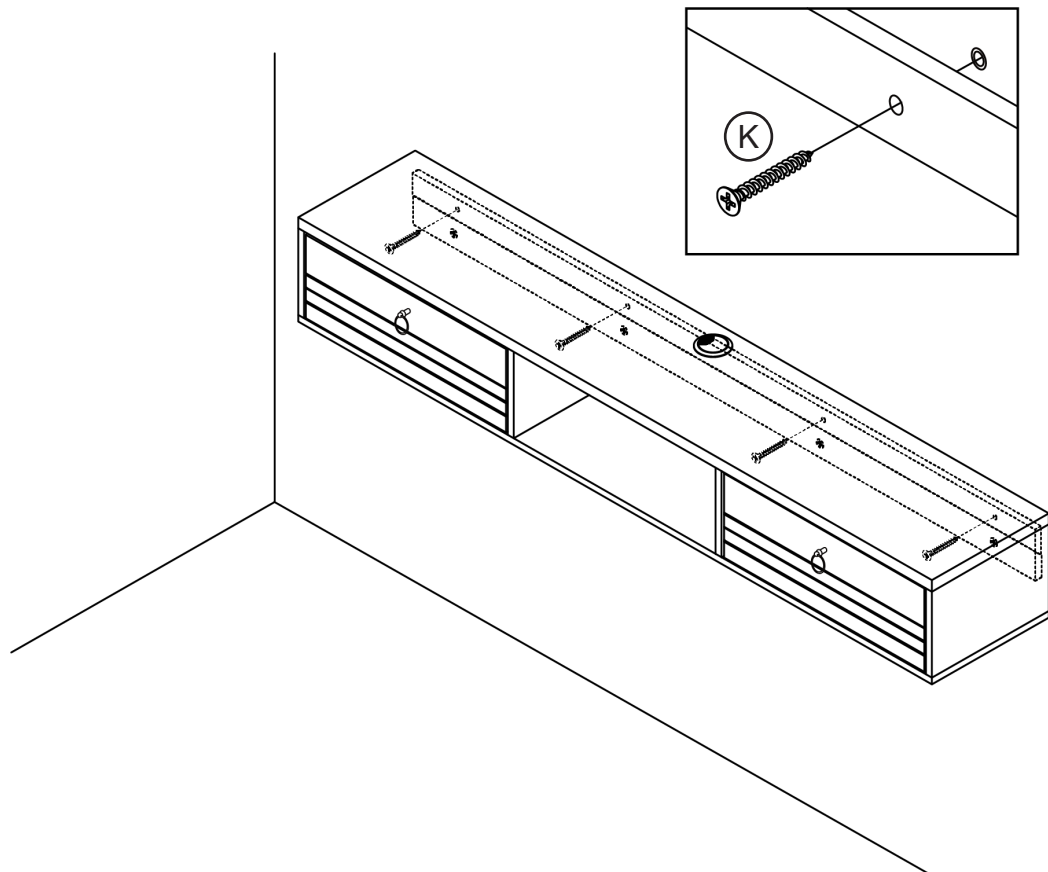


# 20

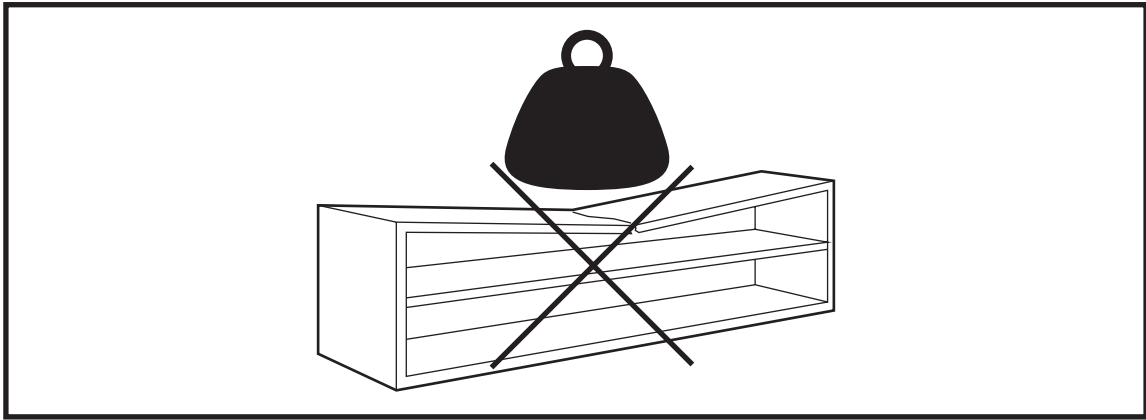
Affix the TV console to the wall.



(K) 4x



**YOU'RE FINISHED!**

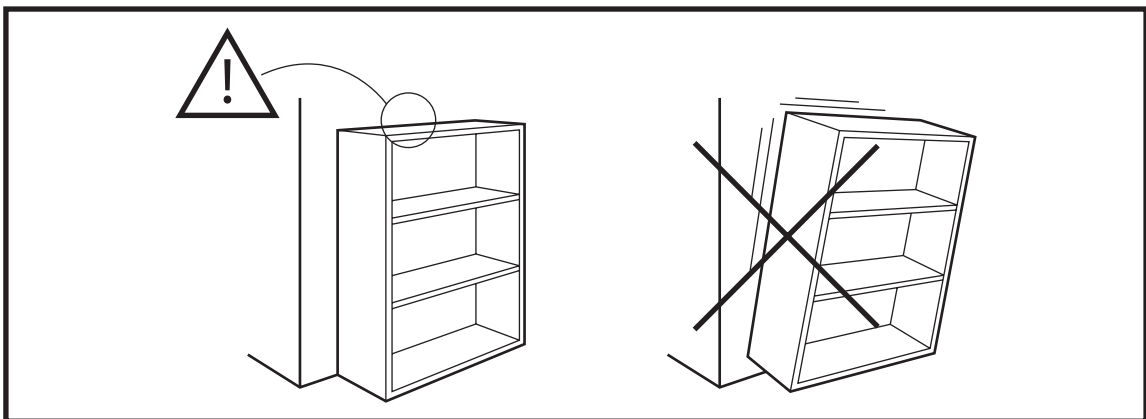


## Warning

Only place items on top of the product if they meet the recommended size and weight limits.

Climbing on, stepping on, or placing overweighted objects on the product may cause property damage and/or injuries.

Items placed onto this product must be resting on a support surface without hanging over the edges.



## Warning

Serious or fatal crushing injuries may occur if the furniture tip-over. Furniture must permanently affixed to the wall with included anti-tipping device in order to prevent the furniture from tipping over.

Different wall materials requires different types of wall anchors or screws. Use a suitable wall anchors or screws for your specific wall in order to secure the stability and load bearing capacity of the furniture. If you are uncertain about which type of device to use, please contact us or your local hardware store.

## FURNITURE CARE AND MAINTENANCE

### Medium - Density Fiberboard

Thank you for your purchase. We want your item to last as long as possible. To ensure the product gives you years of longevity, please follow the recommendations in this care and maintenance guide.



#### MAINTENANCE

- Tighten all bolts and screws again within the first 2 weeks of assembly.
- Check the tightness of all bolts every 2 months and tighten them if necessary.



#### CLEANING

- Clean the surface of the MDF (medium - density fiberboard) with a lightly dampened cloth.
- A small amount of mild soap can be used if necessary.
- Dry the surface immediately after cleaning.

⚠ DO NOT use bleach or alcohol to clean the surface.

⚠ DO NOT apply wood treatment on parts made with MDF.

MDF will swell and distort when exposed to water damage. Make sure to dry the furniture immediately after cleaning.

### ⚠ WARNING

The manufacturer and seller are not responsible for any and all liability relating to personal injury, property damage or losses, whether direct, indirect, or incidental, resulting from the incorrect attachment, improper use, inadequate maintenance, unapproved modification or neglect of this product.