

80071-311/321/331/511/521/531 ASSEMBLY INSTRUCTION

Thank you for purchasing this quality product. Be sure to check all packing material carefully for small parts which may have come loose inside the carton during shipment. Separate, identify and count all parts and hardware. Compare with the parts list to be sure all parts are present.

IMPORTANT : PLEASE READ INSTRUCTION BEFORE STARTING THE ASSEMBLY.

"DO NOT TIGHTEN SCREWS UNTIL COMPLETELY ASSEMBLED"

"DO NOT OVERTIGHT ANY HARDWARE"

WARNING : SMALL PARTS AND HARDWARE NOT FOR CHILDREN UNDER 3 YEARS. ADULT ASSEMBLY REQUIRED.

TABLE OF CONTENTS

HARDWARES LIST	PAGE 2
PARTS LIST	PAGE 3 - 4
PARTS' LOCATION	PAGE 5
ASSEMBLY STEPS	PAGE 6 - 9
ASSEMBLY COMPLETED	PAGE 9

ASSEMBLY TOOLS REQUIRED

1. Screwdriver (not provide)



2. Hammer (not provide)

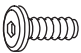
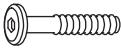
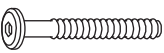


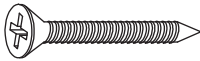





Skip the power trip this time.



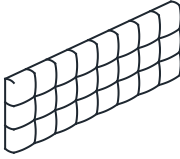
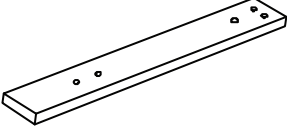
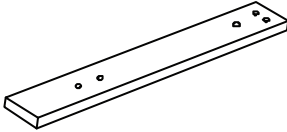
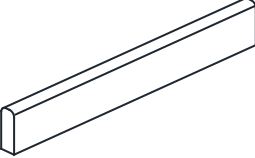

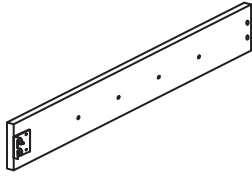
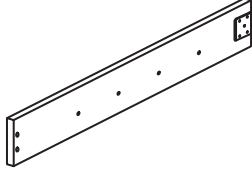
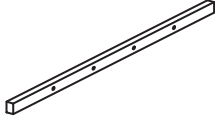

80071-311/321/331/511/521/531 ASSEMBLY INSTRUCTION

HARDWARES LIST

ITEM	DESCRIPTION	DRAWING	QTY
A	JCBC SCREW M8 x 20MM		8 PCS
B	JCBC SCREW M6 x 35MM		24 PCS
C	JCBC SCREW M6 x 50MM		10 PCS
D	SPRING WASHER M6 x 13MM		30 PCS
E	FLAT WASHER M6 x 19MM		30 PCS
F	CSK C/B SCREW (M4 x 32MM)		8 PCS
G	M5 ALLEN KEY (65MM)		1 PC
H	M4 ALLEN KEY (65MM)		1 PC
I	SUPPORT LEG ADJUSTABLE FEET		4 PCS

80071-311/321/331/511/521/531 ASSEMBLY INSTRUCTION

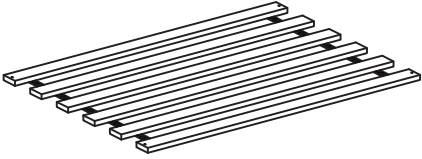
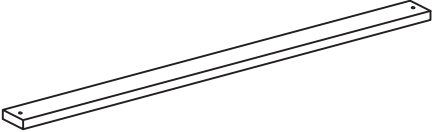

PARTS LIST

ITEM	DESCRIPTION	DRAWING	QTY
1	HEADBOARD		1 PC
2	HEADBOARD LEG WITH LABEL "L"		1 PC
3	HEADBOARD LEG WITH LABEL "R"		1 PC
4	FOOTBOARD		1 PC
5	FOOTBOARD LEG		2 PCS
6	SIDE RAIL (L)		2 PCS
7	SIDE RAIL (R)		2 PCS
8	SIDE RAIL SUPPORT		4 PCS
9	SIDE RAIL LEG		2 PCS

MORE PARTS DETAIL IN NEXT PAGE...

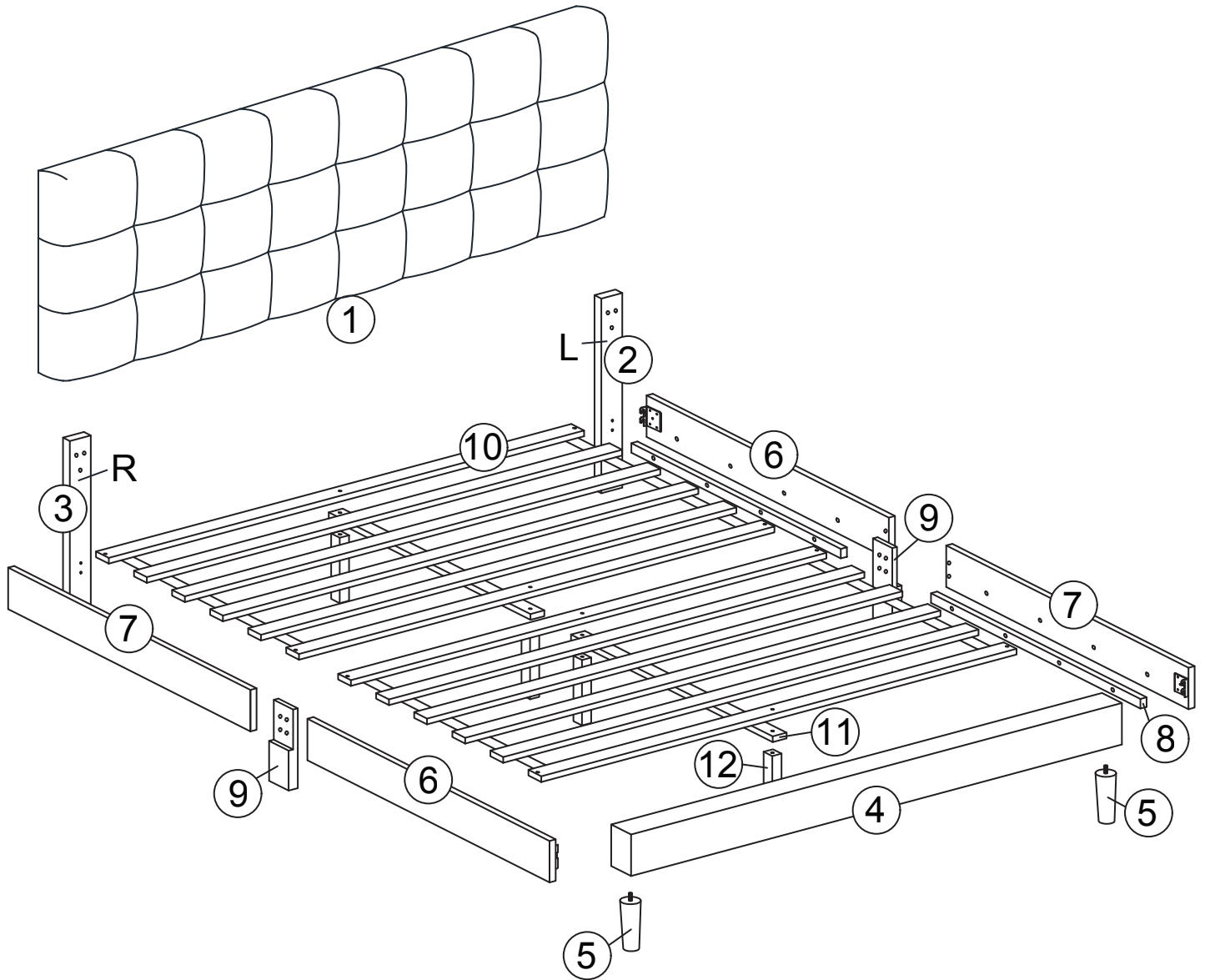
80071-311/321/331/511/521/531 ASSEMBLY INSTRUCTION

PARTS LIST

ITEM	DESCRIPTION	DRAWING	QTY
10	SLAT		2 ROLL
11	CENTER SUPPORT		2 PCS
12	SUPPORT LEG		4 PCS

80071-311/321/331/511/521/531 ASSEMBLY INSTRUCTION

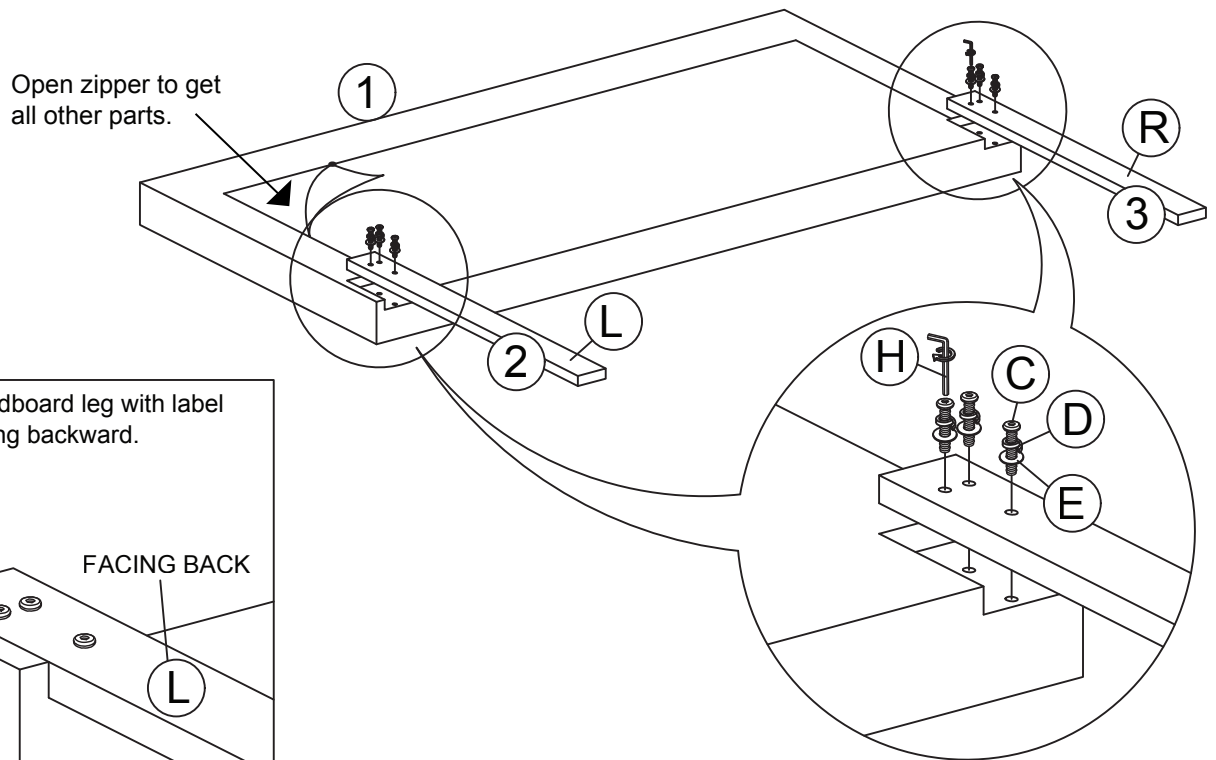
PARTS ' LOCATION



80071-311/321/331/511/521/531 ASSEMBLY INSTRUCTION

STEP 1

Insert 6pcs (C) , (D) and (E) to combine (2) and (3) to the (1) as shown.



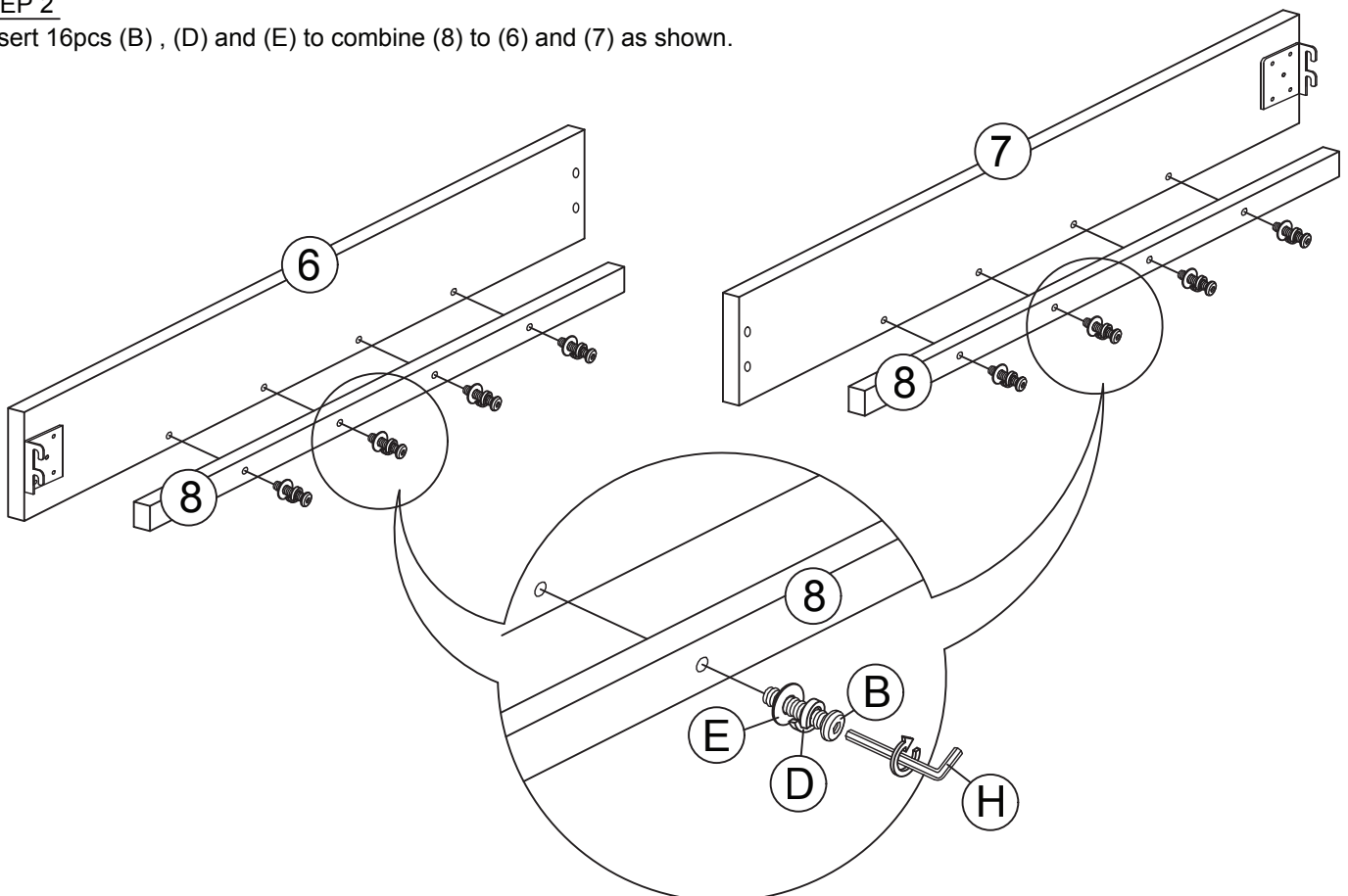
REMARK : Headboard leg with label facing backward.

FACING BACK

L

STEP 2

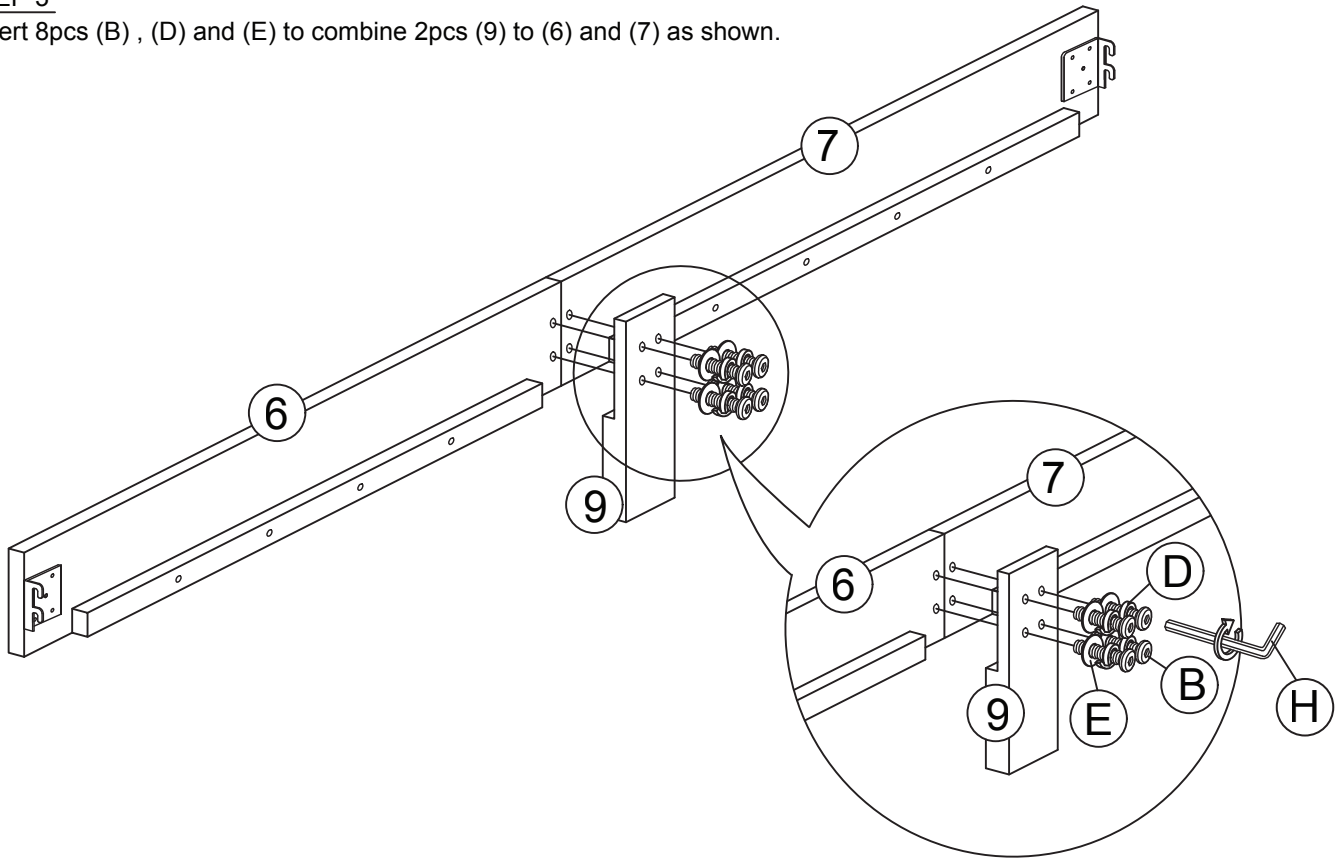
Insert 16pcs (B) , (D) and (E) to combine (8) to (6) and (7) as shown.



80071-311/321/331/511/521/531 ASSEMBLY INSTRUCTION

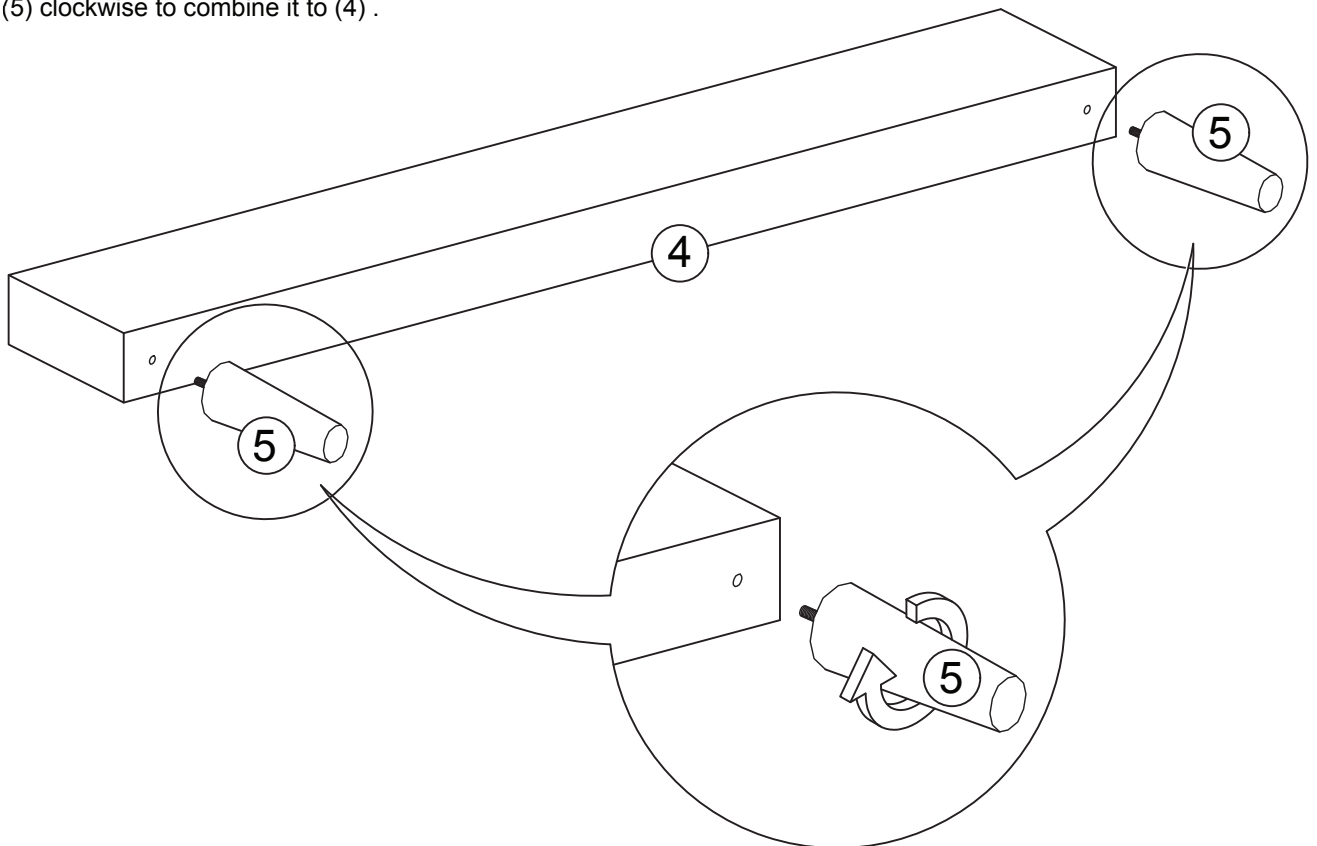
STEP 3

Insert 8pcs (B) , (D) and (E) to combine 2pcs (9) to (6) and (7) as shown.



STEP 4

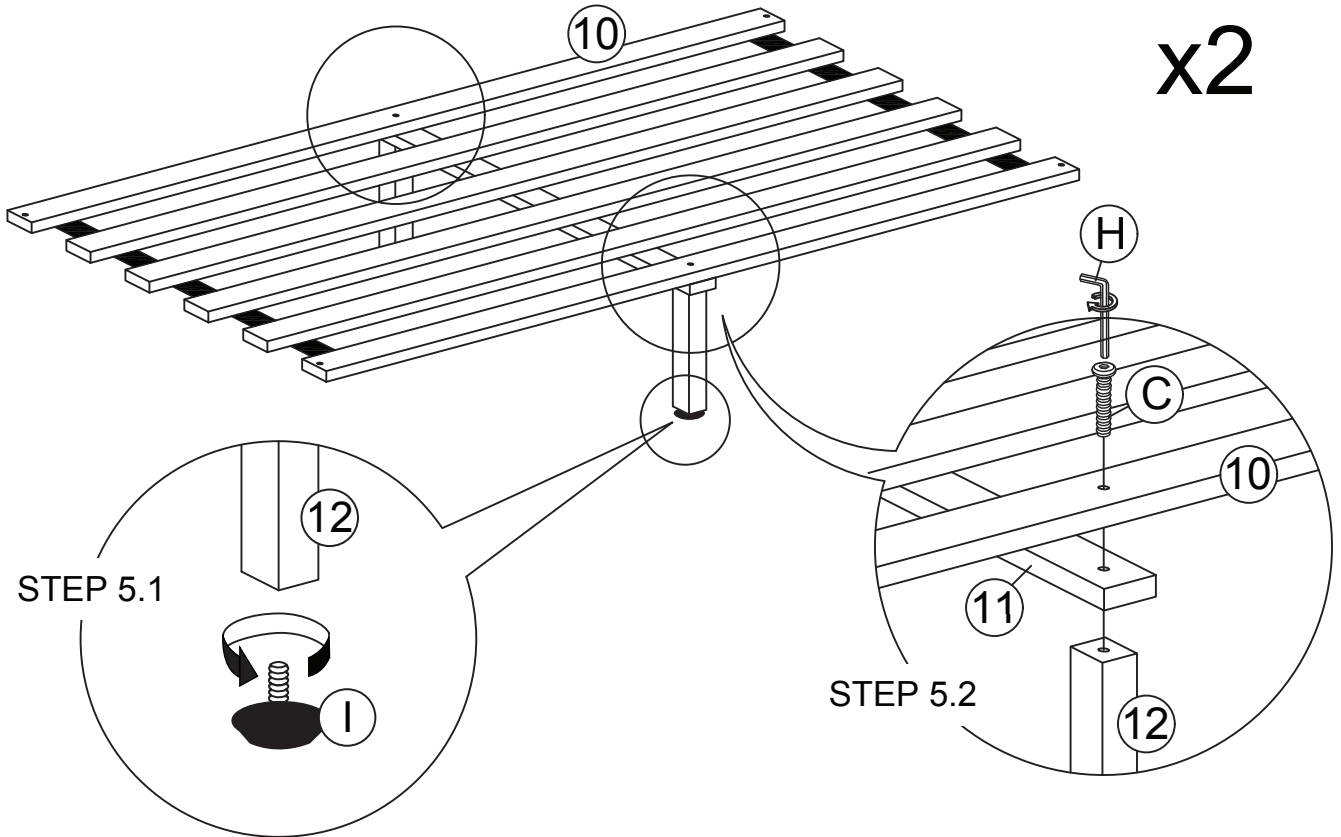
Turn (5) clockwise to combine it to (4) .



80071-311/321/331/511/521/531 ASSEMBLY INSTRUCTION

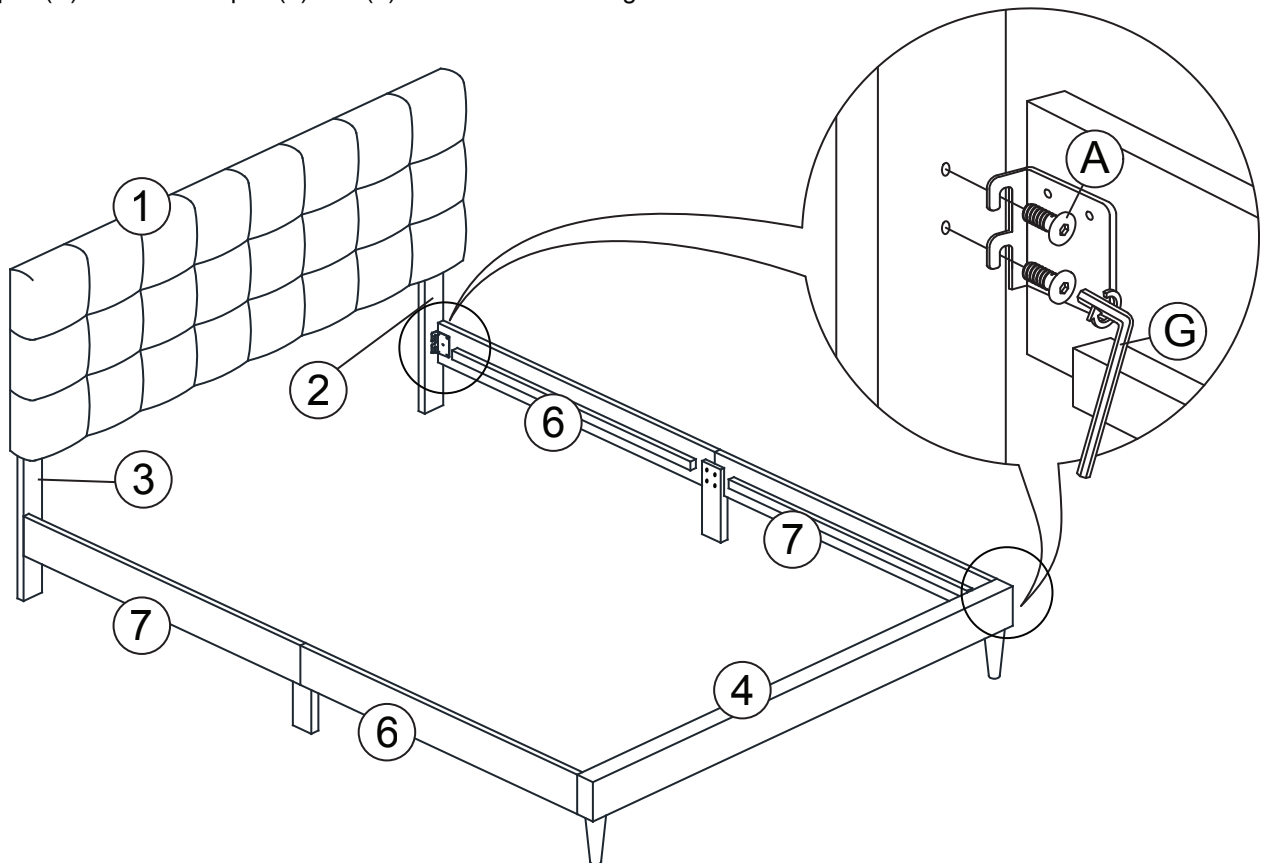
STEP 5

Screw in the (I) to (12), then insert 2pcs (C) to combine (12) to the (10) and (11) as shown.



STEP 6

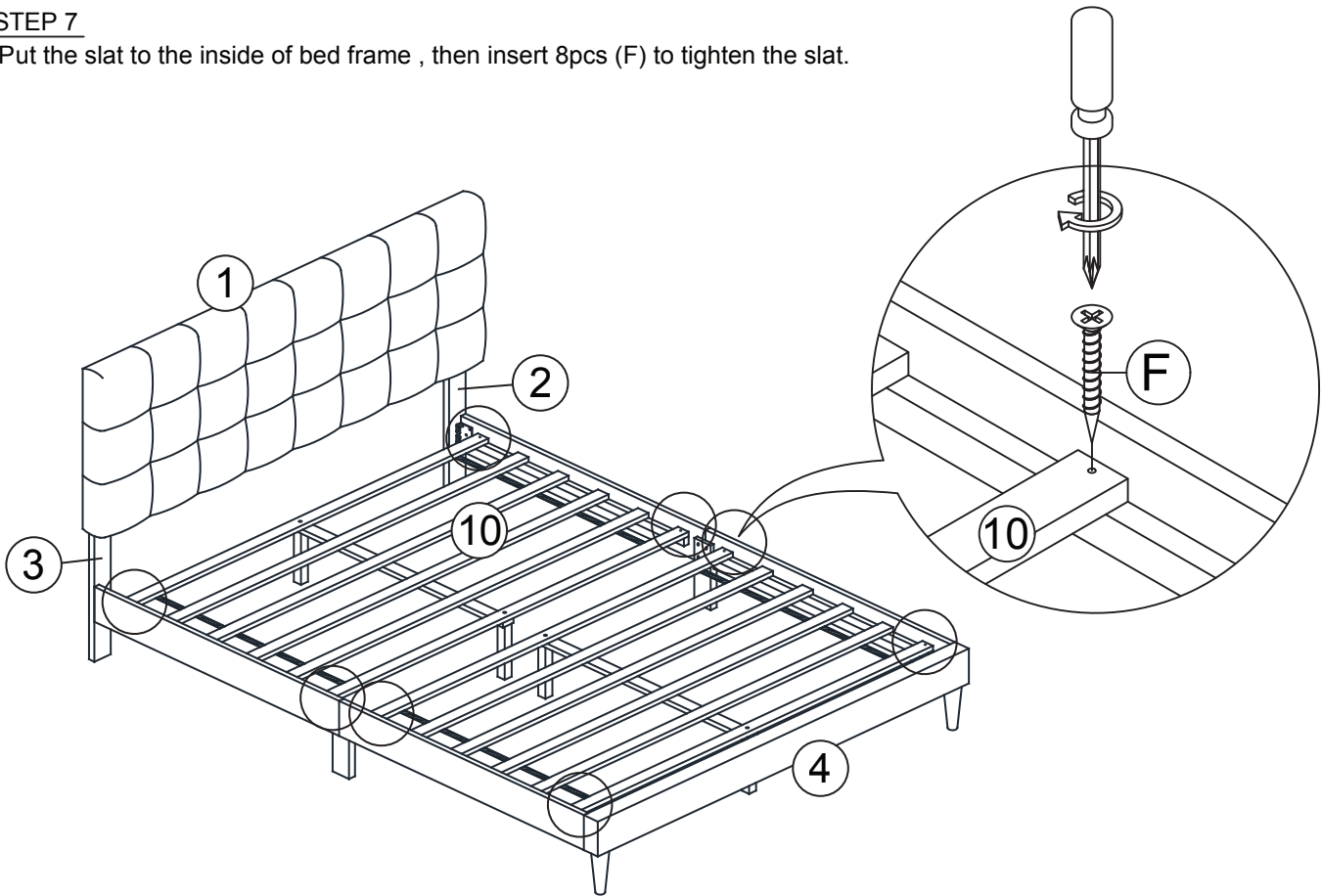
Insert 8pcs (A) to combine 2pcs (6) and (7) to the headboard leg and footboard as shown.



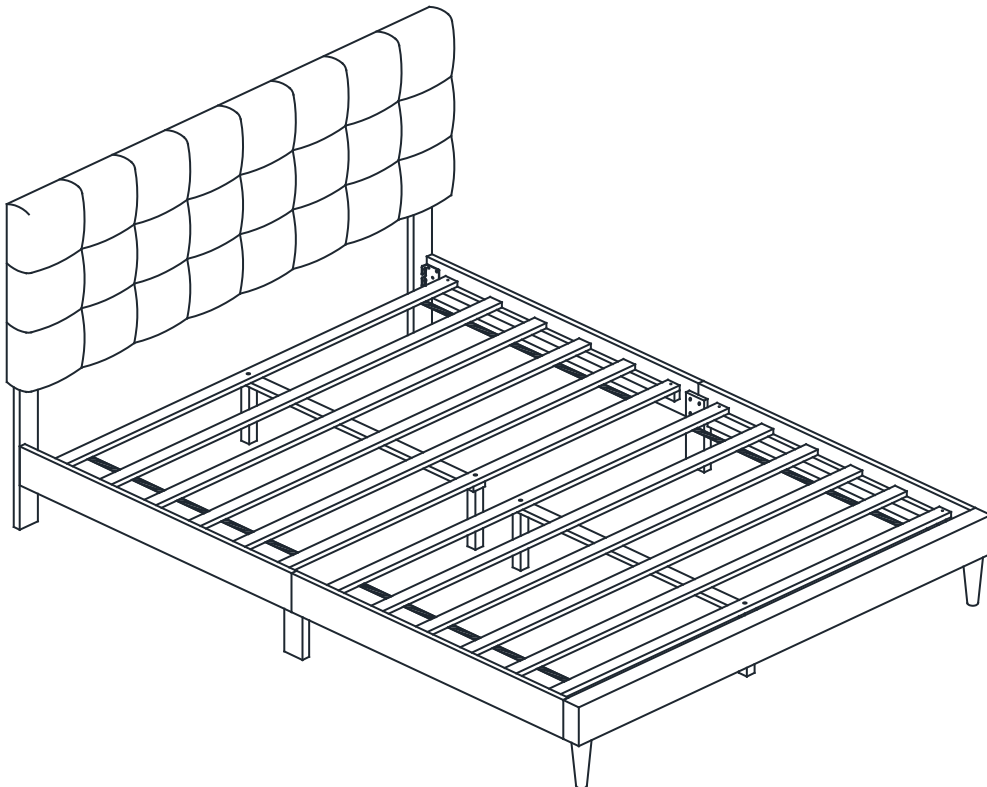
80071-311/321/331/511/521/531 ASSEMBLY INSTRUCTION

STEP 7

Put the slat to the inside of bed frame , then insert 8pcs (F) to tighten the slat.



STEP 8



ASSEMBLY COMPLETED