

Assembly Instructions







Accent Chair



Legs & hardware are stored in the bottom of seat , please take out the legs and hardware for assembly.

Note: Do not use power tools for assembly. Power tools increase the risk of over tightening which lead to splitting or cracking the wood.

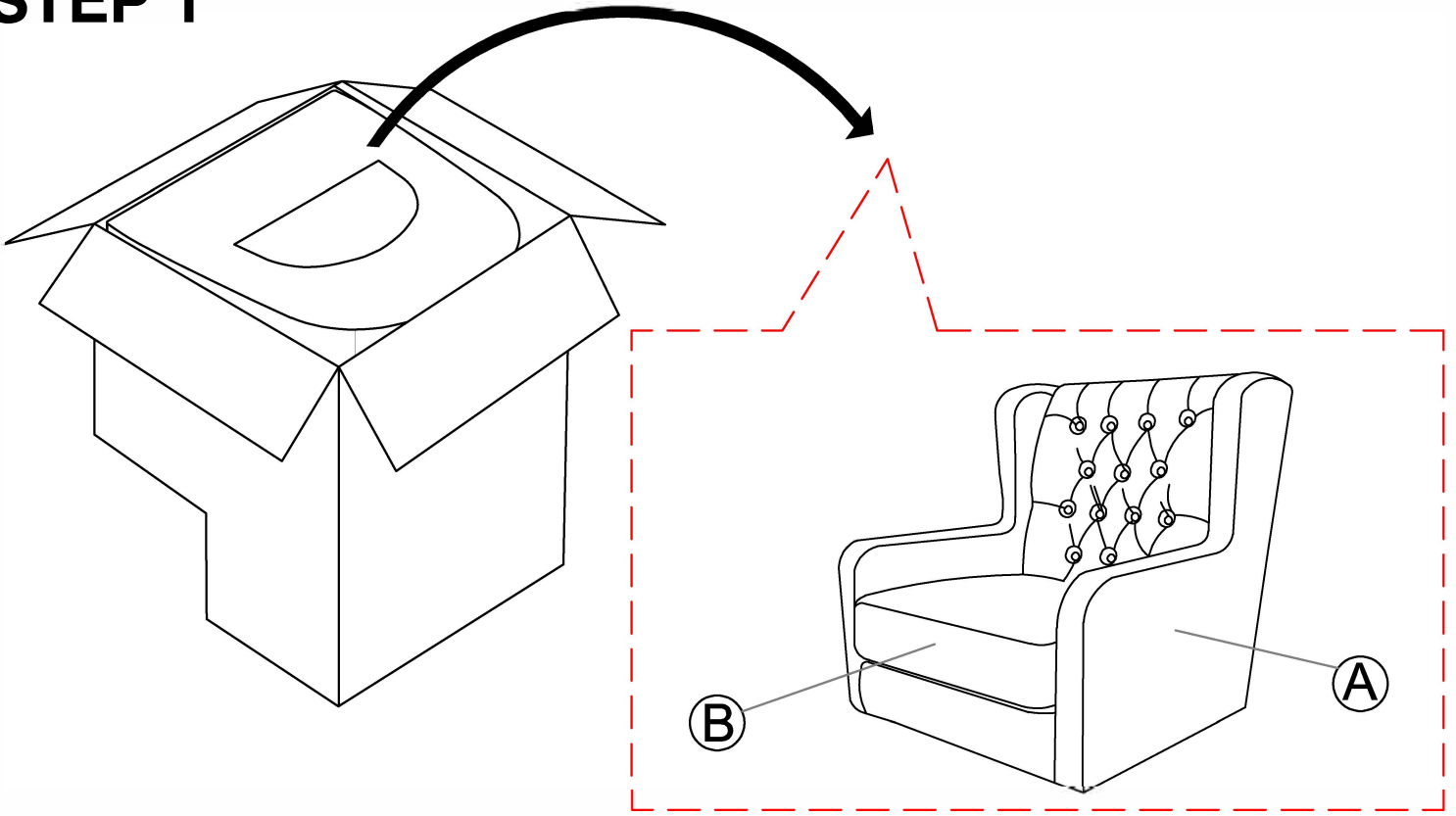
Component list

| No | Drawing | Qty | Description |
|----|---|-----|---|
| A |  | 1 | SEAT |
| B |  | 1 | SEAT CUSHION |
| C |  | 2 | WOODEN FRONT LEGS (2 .25"*2 .25"*7 .75") |
| D |  | 2 | WOODEN REAR LEGS (2.25"*2"*7.5") |
| E |  | 4 | GASKET (Ø50mm) |
| F |  | 2 | SCREW (M4*50mm) |

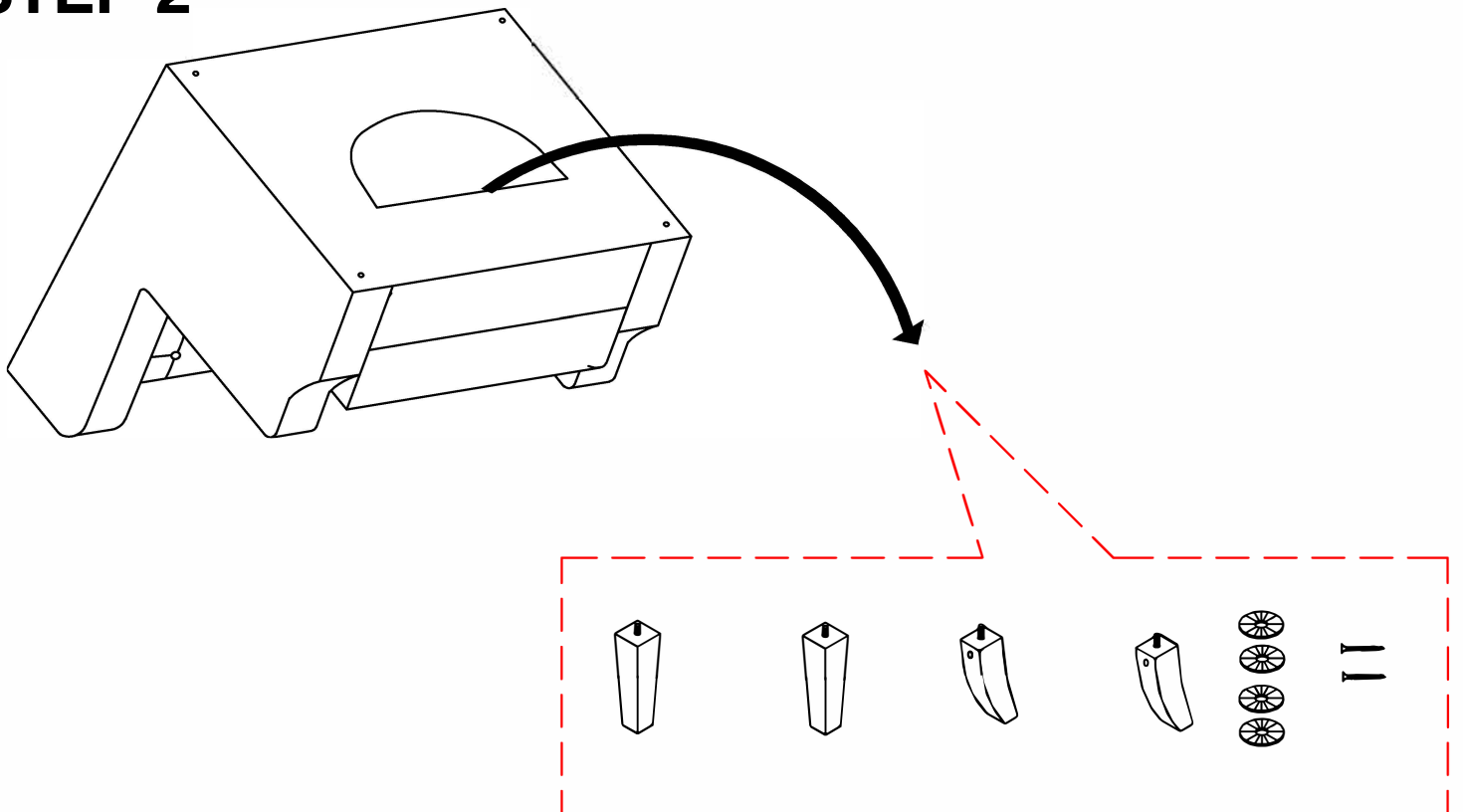
Assembly Instructions

Accent Chair

STEP 1



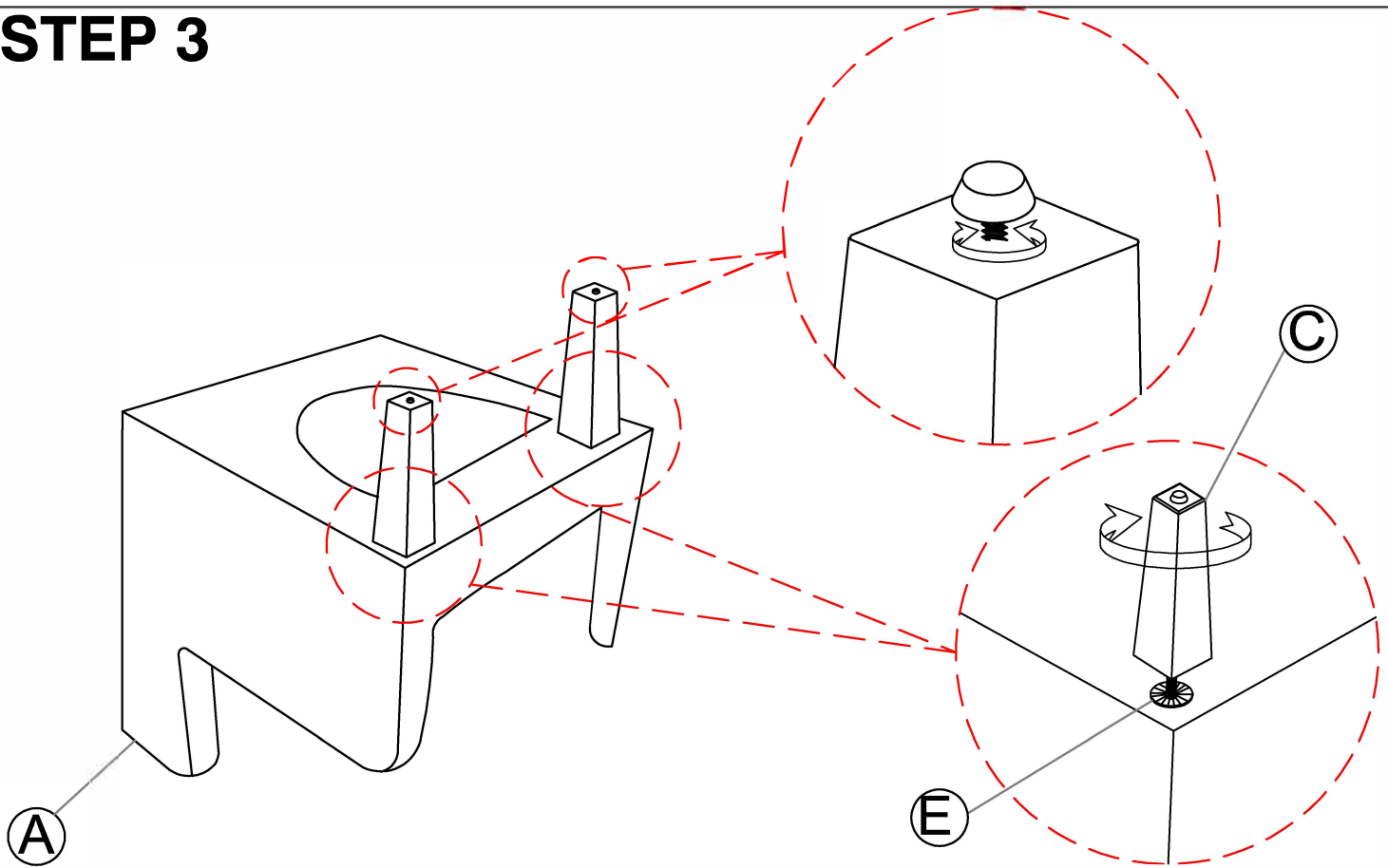
STEP 2



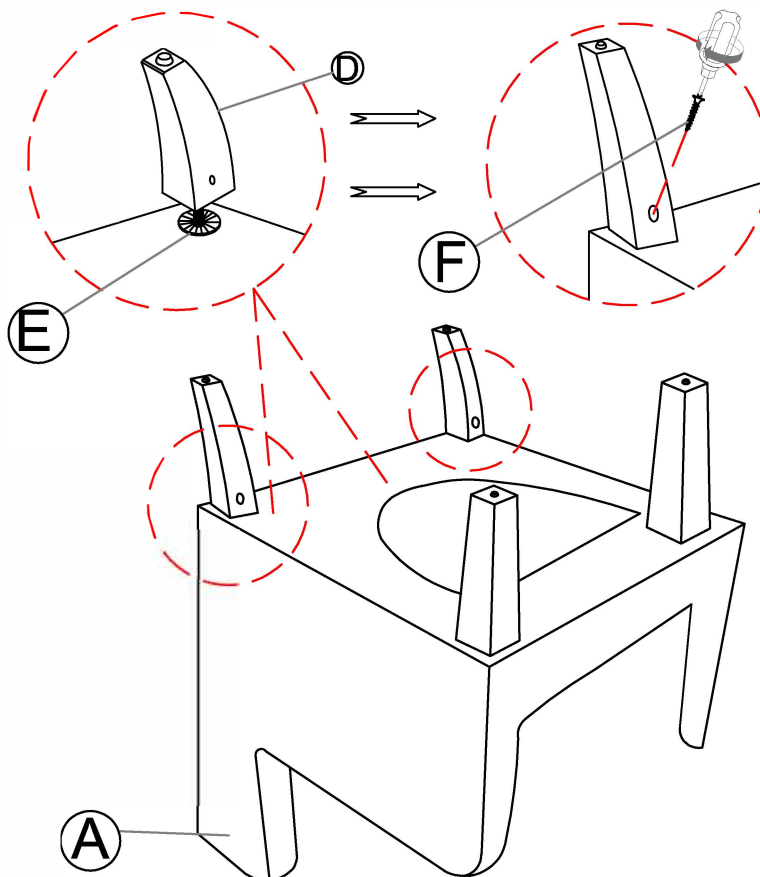
Assembly Instructions

Accent Chair

STEP 3

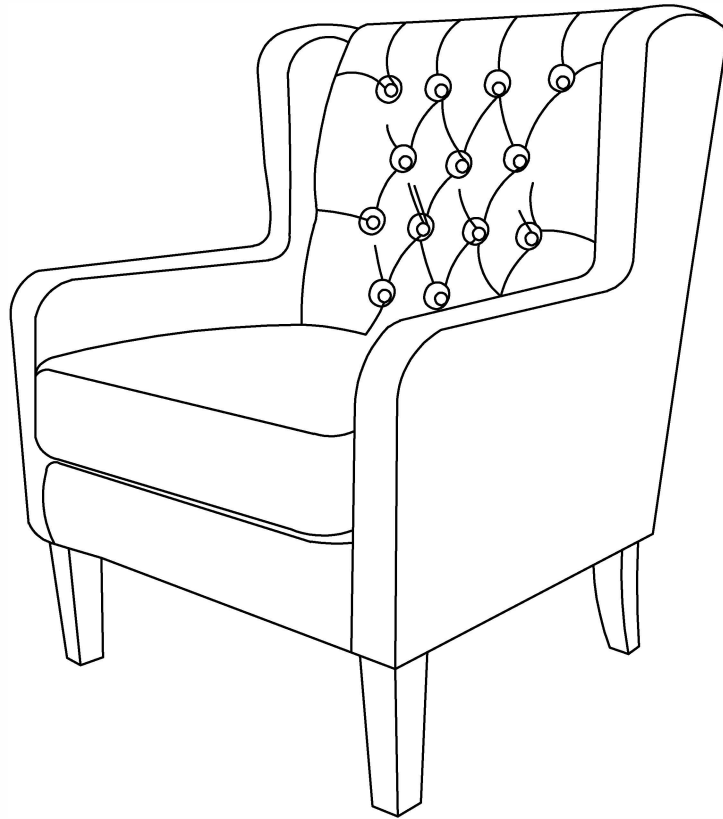


STEP 4



Assembly Instructions

Accent Chair



COMPLETED.

Care Instruction for TEXTURED Furniture:

In order to maintain the original appearance of your textured Furniture, please follow below simple care procedures:

- Avoid exposing furniture directly to sunlight or heating and air conditioning outlets. Sunlight and or exposure to heating and air conditioning outlets will fade/damage Textured.
- Vacuum or wipe with a soft cloth to remove dust.
Hardware may loosen over time.
Periodically check to make sure all connection are tight, Re-tighten if necessary.



For items use on wooden floor, hard surfaces or carpets, it is recommended to Install protective pads under all legs and supports to avoid/prevent from damages/scratches and discoloration.