

ASSEMBLING & INSTALLATION INSTRUCTIONS PRODUCT

For Wall Mount Light Fixture

WARNING! SHUT POWER OFF AT FUSE OR CIRCUIT BREAKER .

MOUNTING THE FIXTURE

Installation (see fig.1)

1. Disconnect power at main electrical panel before installation.
2. Carefully unpack new fixture and lay all the parts on a clear surface.
3. Thread the two mounting screws about 1/4" into the pre-drilled holes in the mounting plate, spaced about the same distance apart as the holes in the fixture back plate. Attach the mounting plate to the junction box using two junction box screws. The side of the mounting plate marked "GND" must face to out. **The junction box is not included.**
4. Guide fixture wires through hole in center of mounting plate. Follow wiring instructions carefully (see fig.2)
5. Attach the back plate(E) over the mounting plate, aligning the back plate holes with mounting screw, then lock it securely with ball nuts(D).
6. Install the light bulbs in accordance with the fixture's specifications. **DO NOT EXCEED THE MAXIMUM WATTAGE RATING!**
7. Raise the shade(F) to the back plate(E), aligning the top holes of shade with the top back plate holes, lock it securely with the ball nuts(G).

Wiring (see fig.2)

1. Connect the electrical wires as follows. Connect the Black wire from the fixture to the black house (hot) Wire. Connect the white wire from the fixture to the white (neutral) house wire. Make sure all wire nuts are secured. You may wrap the connections with electrical tape. If your outlet box has a ground wire (green or bare copper) connect fixture's ground wire to it. Otherwise attach the bare copper fixture wire to the green ground screw on the mounting plate.
2. Tuck the wire connections neatly into the wall junction box.
8. Raise the end grapnel of the crystal cluster(A) hooked the top cover of the shade(F); Raise the end grapnel of the crystal cluster(B,10pcs) hooked the middle ring of the shade(F). Raise the end grapnel of the crystal cluster(C) hooked the outer ring of the back plate(E), crystal cluster (B,10pcs) hooked the inside ring of the back plate(E).

Fig.1

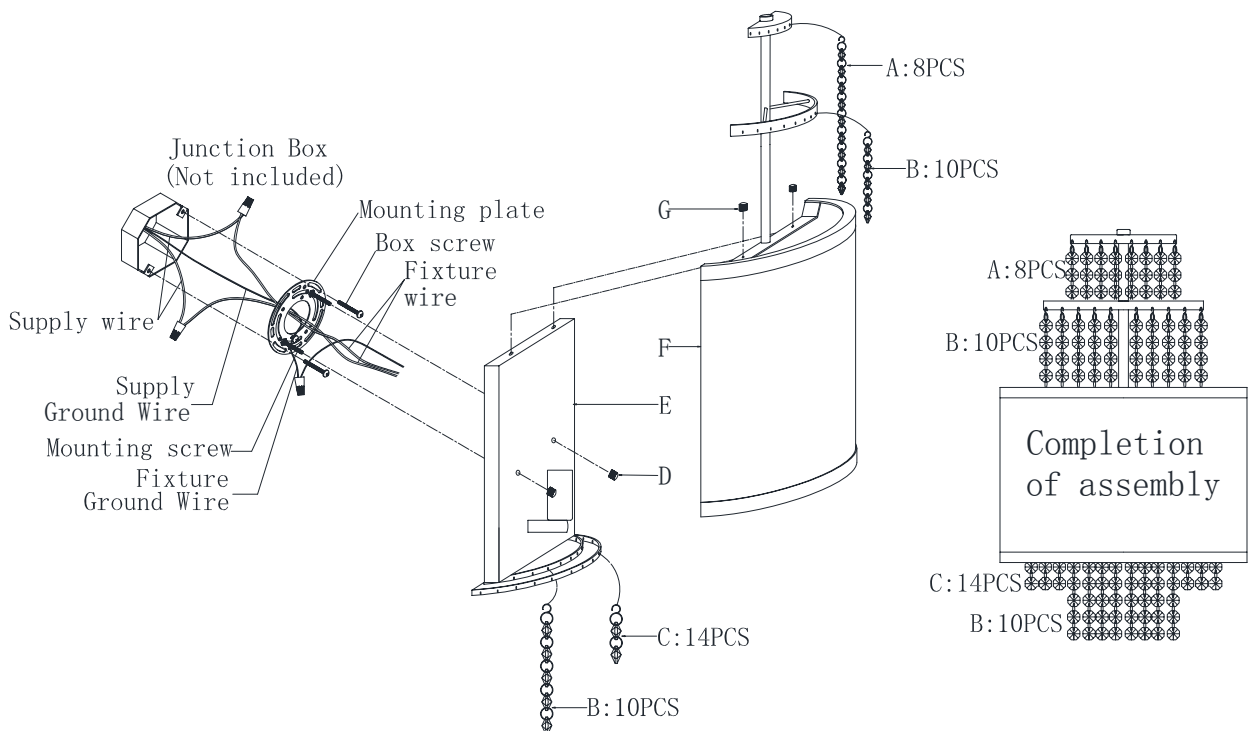


Fig.2

