


# TOV




## Follow us!

Show your new purchase some love by tagging it on our Instagram!

 @tovfurniture

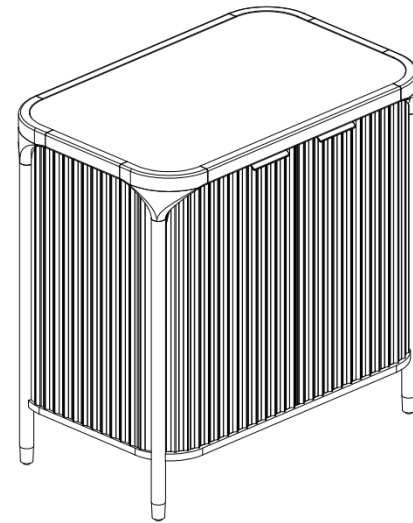
 516-888-3355

 [hello@tovfurniture.com](mailto:hello@tovfurniture.com)

 [www.tovfurniture.com](http://www.tovfurniture.com)

If the future is female—your furniture should be, too. No mahogany in sight. Sexy settees shaped like lips. Price points for any budget. At TOV, we do things differently.




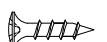
# TOV



## Yaha Bar Cabinet

**DON'T BE BORING.**

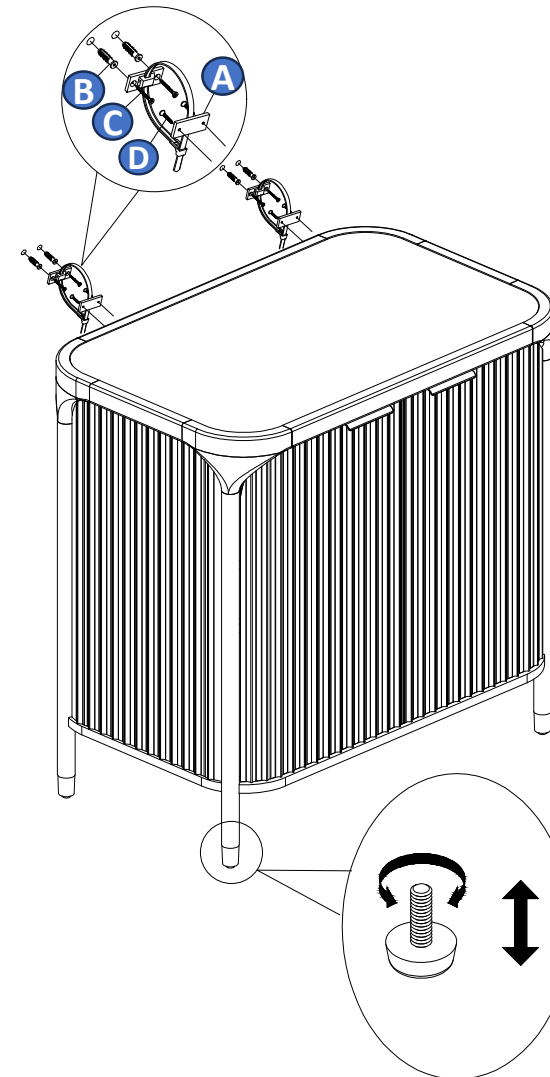
# Hardware and Components

	-----	<b>A</b>	x2pcs
	-----	<b>B</b>	x4pcs
	-----	<b>C</b> M4x40	x4pcs
	-----	<b>D</b> M4x20	x4pcs

## Step 1

Open box of hardware and legs.

This hardware box will be a smaller box inside of the main box. Look for the red streamer.



Stuck?  
Contact our team @ 516-888-3355

Scan for product care!

