

NOTICE

*Please make sure that you have all part indicated and they are in good condition before you begin assembly of this item. Refer to part list and hardware list below for guidance.

*This item should be assembled on a soft surface to prevent scratching the finish during assembly.

*This item may require periodic tightening.

*If you are having difficulty, our friendly Customer Care team is always here to help. Please email customersupport@safavieh.com

PREPARATION

*Before beginning assembly of product, make sure all part are present. Compare part with part contents list and hardware contents list.

*If any part is missing or damaged, do not attempt to assemble the product.

*Estimated Assembly Time: 60 minutes.

*Tools Required for Assembly (included): Allen Key

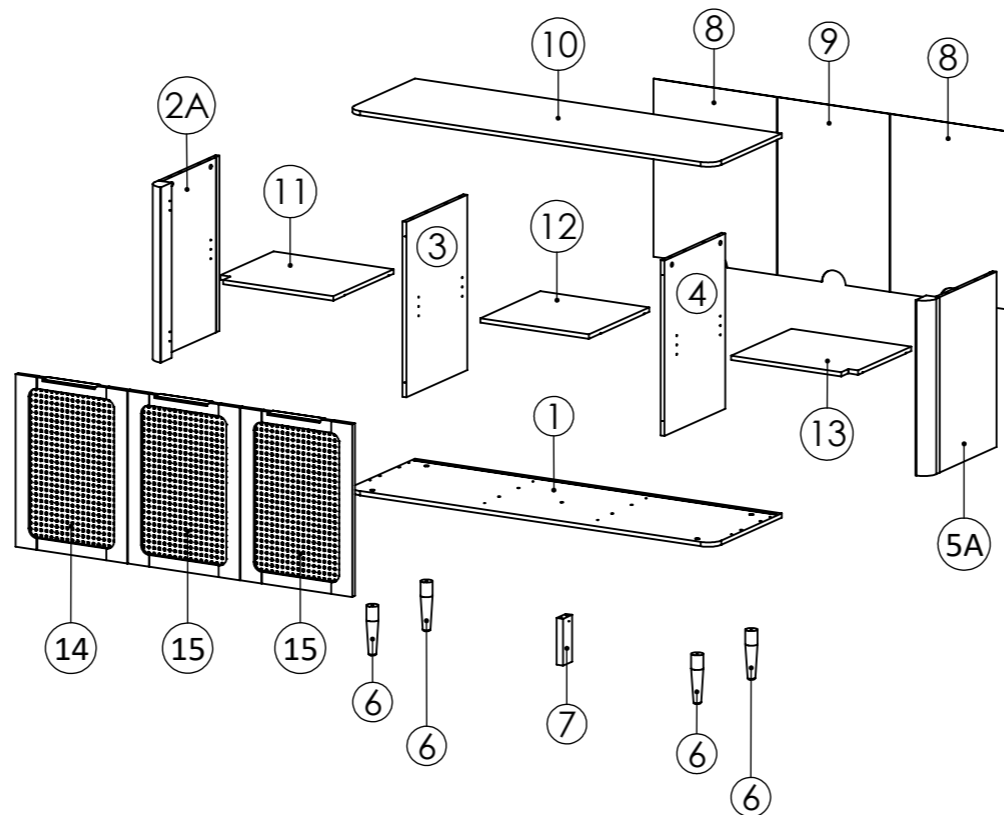
CARE AND MAINTENANCE

Adhesive felt pads should always be applied to areas of furniture which make direct contact with flooring, said application will prevent damage to the furniture and or surfaces on which the furniture lies.

Objects placed on articles of furniture should rest on non abrasive material as to prevent damage to the wood finish. Objects whose composition consists of plastic and rubber are known to discolor and damage the wood surfaces on which they rest. Wipe up spills immediately and avoid common hazards such as hot dishes, harsh solvents and abrasives. Cleaning should be done with a soft lint free cotton cloth dampened with water or furniture polish. On highly used surfaces we recommend applying a quality paste wax which should be used on a regular basis to provide additional protection from scratches and spills.

How often you apply the wax depends on how much wear the furniture receives

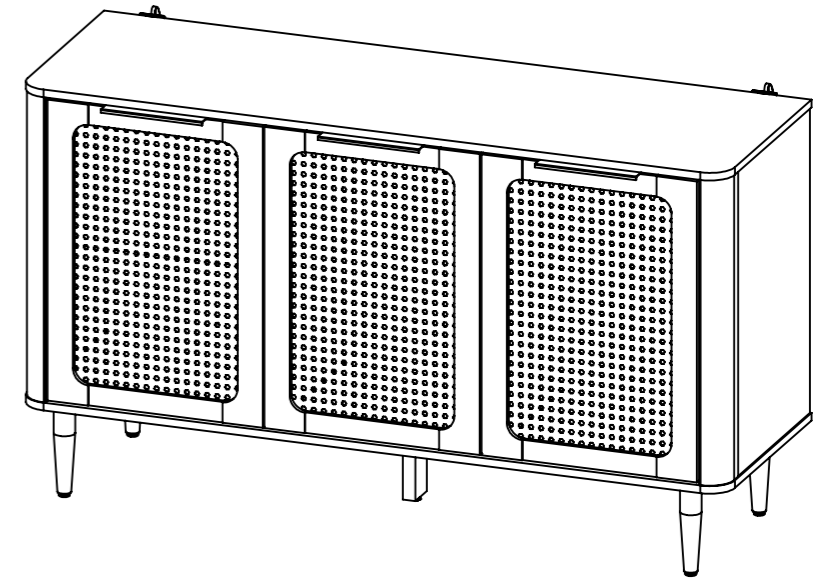
Part List



 **SAFAVIEH**
FURNITURE

Model# MED3108

Product Dimensions: W 55.12" x D 17.72" x H 31.61"



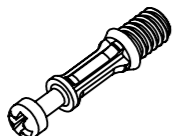

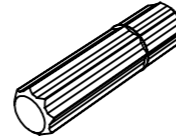

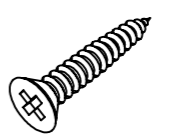
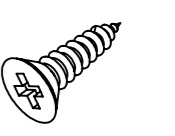
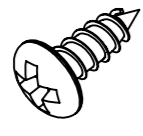
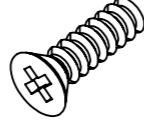

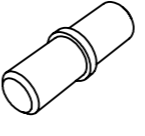
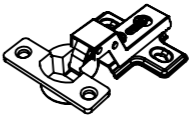
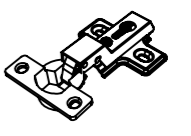
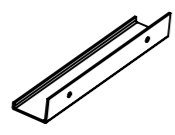
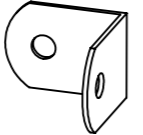

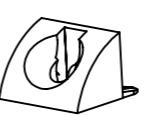
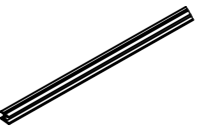
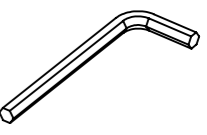
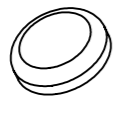

WARNING


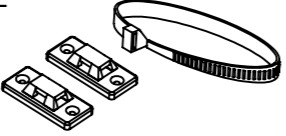
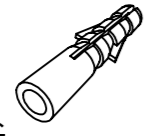

This product is intended for use with a
FLAT SCREEN TV ONLY
Maximum Screen Size: 65 inches
Top Weight Limit: 67 lbs
Shelf Load Limit: 17 lbs
Use with heavier televisions may result in
instability causing tip over resulting in death
or Serious injury.

WARNING

Death or serious injury may occur
when children climb on audio
and/or video equipment furniture.
A remote control or toys placed on
the furnishing may encourage a
child to climb on the furnishing and
as a result the furnishing may tip
over on to the child

Hardware List

<p>HW1x8</p>  <p>Ø 6X32 mm</p>	<p>HW2x8</p>  <p>Ø 15X12 mm</p>	<p>HW3x17</p>  <p>Ø 8X32 mm</p>	<p>HW4x9</p>  <p>Ø 6X50 mm</p>	<p>HW5x21</p>  <p>Ø 4X19 mm</p>	<p>HW6x6</p>  <p>Ø 6X12 mm</p>
<p>HW7x4</p>  <p>Ø 6X12 mm PH</p>	<p>HW8x24</p>  <p>Ø 5X12 mm</p>	<p>HW9x4</p>  <p>Nut Cap</p>	<p>HW10x12</p>  <p>Metal pin</p>	<p>HW11x4</p>  <p>Full curve</p>	<p>HW12x2</p>  <p>Half curve</p>
<p>HW13x3</p>  <p>Handle</p>	<p>HW14x2</p>  <p>Plate L</p>	<p>HW15x13</p>  <p>Cover Cap Sticker</p>	<p>HW16x21</p>  <p>Plastic Stopper</p>	<p>HW17x2</p>  <p>List "H"</p>	<p>HW18x1</p>  <p>Allen Key</p>
<p>HW23x4</p>  <p>Bumpers</p>	<p>HW24x4</p>  <p>Foot Pads</p>				

Anti-Tip Restrain Pack	
<p>HW19x4</p>  <p>Ø 6X15 mm</p>	<p>HW20x2</p>  <p>Anti-tip</p>
<p>HW21x4</p>  <p>Ø 8X35 mm PLUG</p>	<p>HW22x4</p>  <p>Ø 10X50 mm</p>

Part List & HW

Piece	Description	Qty	Carton Call
1	Bottom Panel	1	1 of 1
2	Side Panel -Left	1	1 of 1
3	Divider Panel -Left	1	1 of 1
4	Divider Panel -Right	1	1 of 1
5	Side Panel -Right	1	1 of 1
6	Side Leg	4	1 of 1
7	Center Leg	1	1 of 1
8	Back Panel -Left/Right	2	1 of 1
9	Back Panel -Center	1	1 of 1
10	Top Panel	1	1 of 1
11	Adjustable Shelf -Left	1	1 of 1
12	Adjustable Shelf -Center	1	1 of 1
13	Adjustable Shelf -Right	1	1 of 1
14	Door Panel -Left	1	1 of 1
15	Door Panel -Right	2	1 of 1

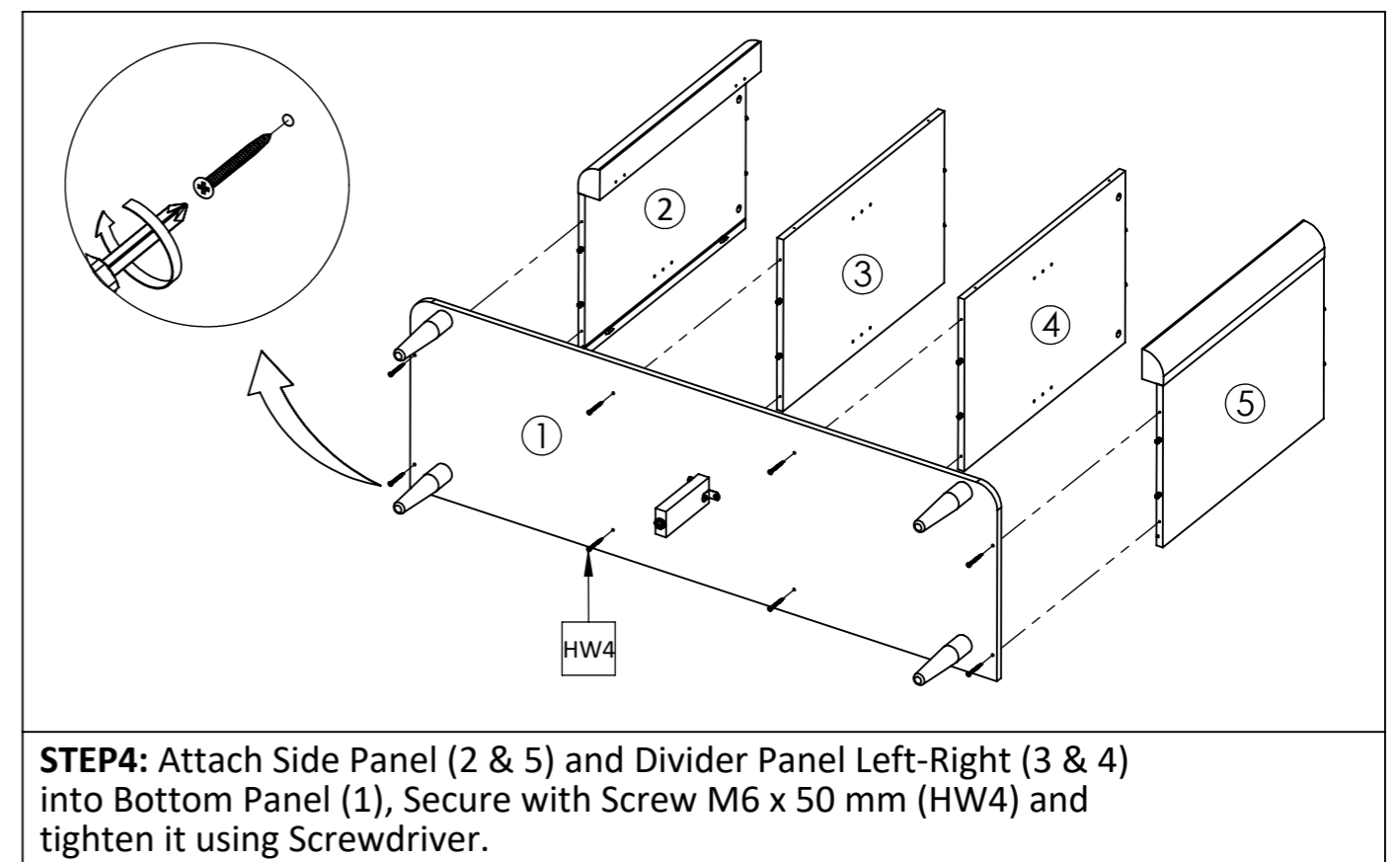
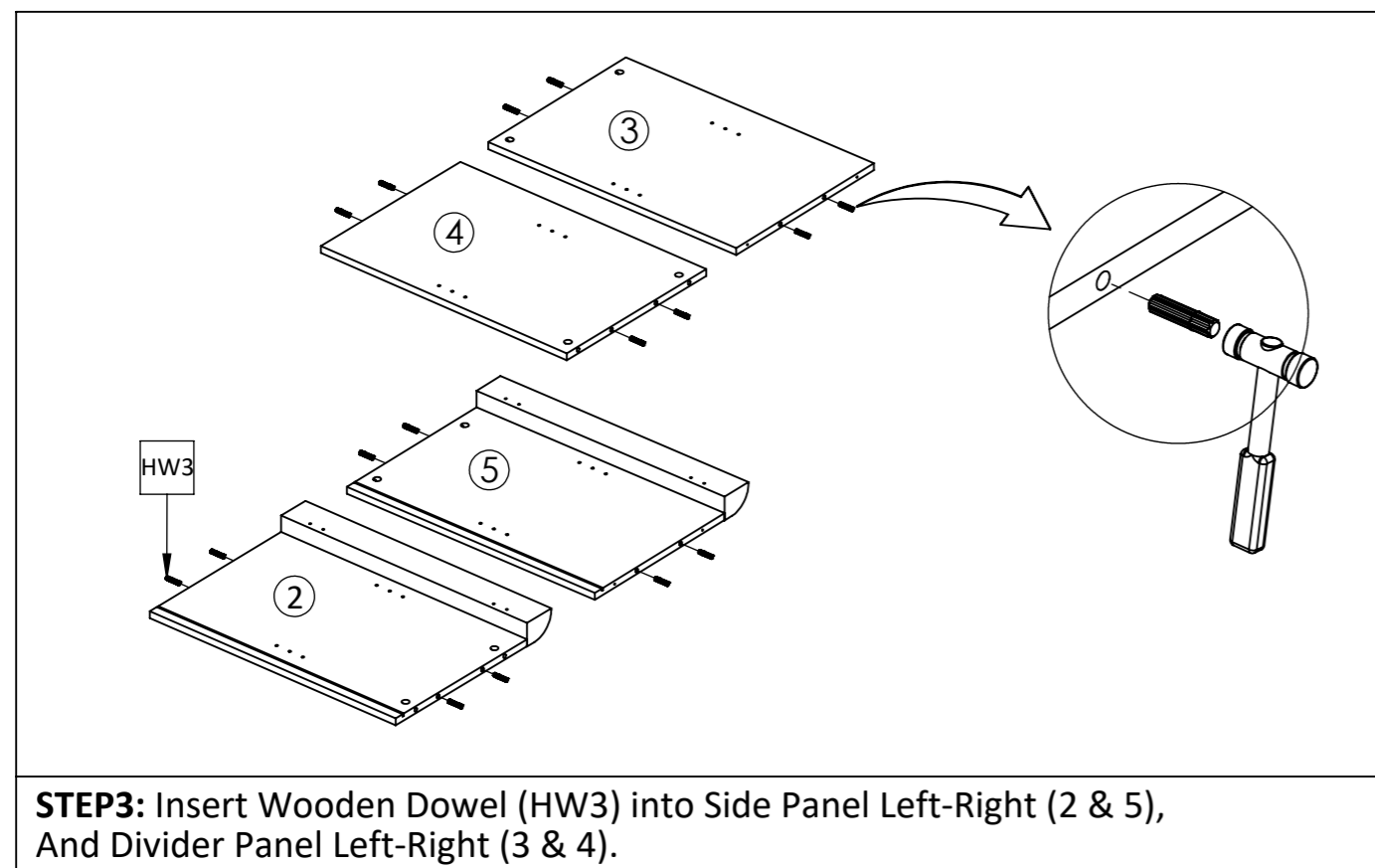
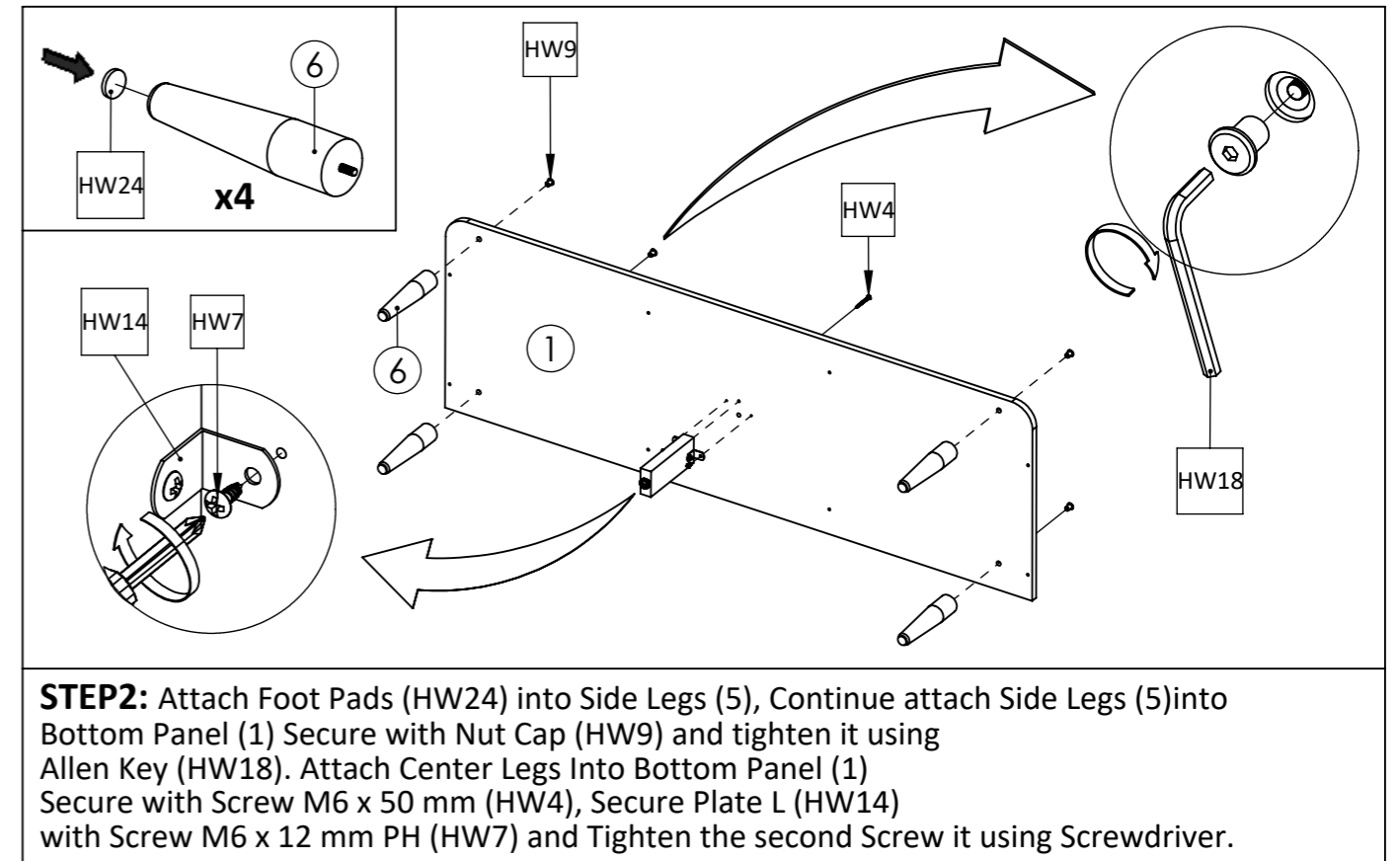
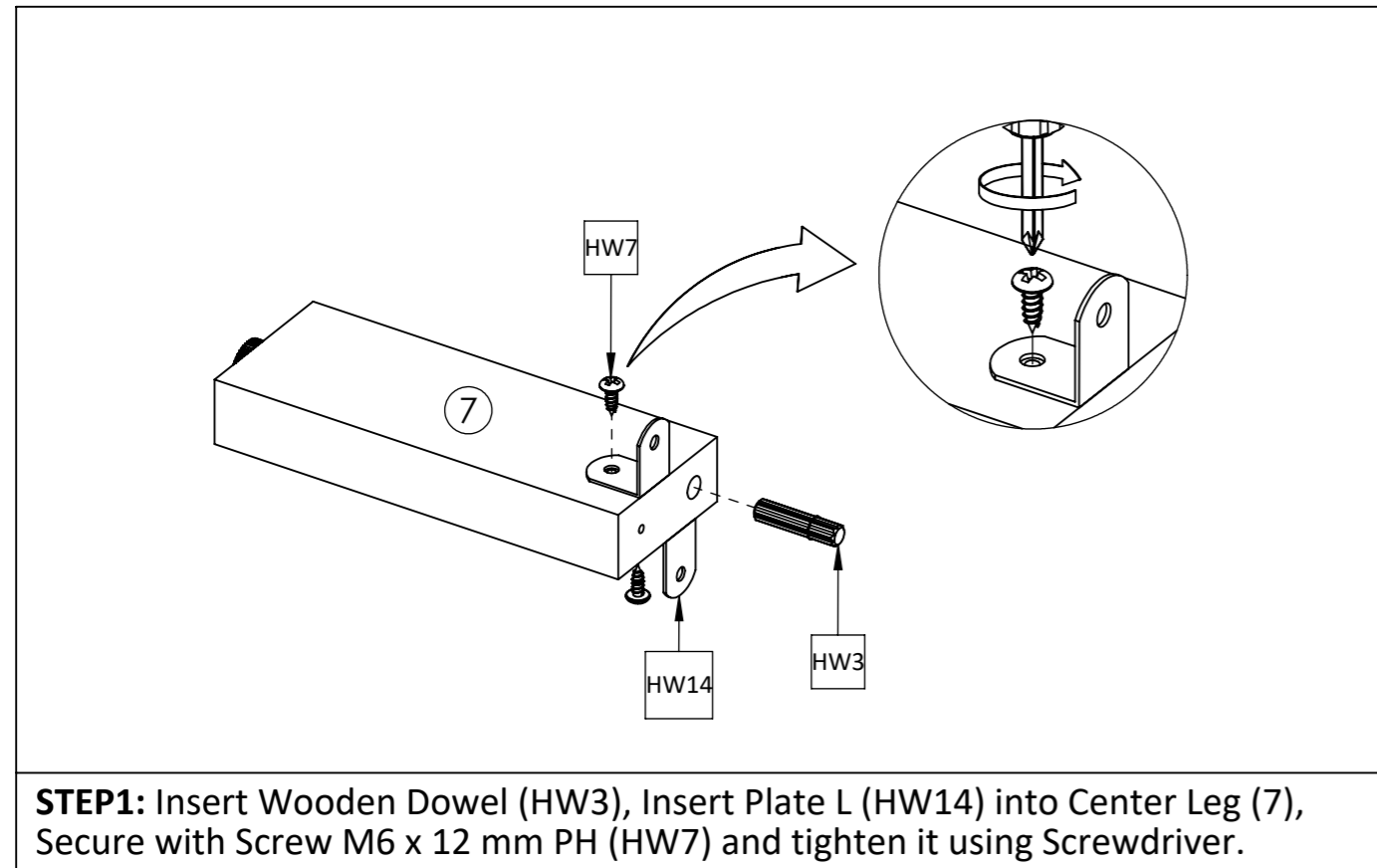
Piece	Description	Qty	Carton Call
HW1	Cambolt	8	1 of 1
HW2	Camlock	8	1 of 1
HW3	Wooden Dowel	17	1 of 1
Hw4	Screw M6 x 50 mm	9	1 of 1
Hw5	Screw M4 x 19 mm	21	1 of 1
Hw6	Screw M6 x 12 mm	6	1 of 1
HW7	Screw M6 x 12 mm PH	4	1 of 1
HW8	Screw M5 x 12 mm	24	1 of 1
HW9	Nut Cap M6 x 12 mm	4	1 of 1
HW10	Metal Pin	12	1 of 1
HW11	Full Curve	4	1 of 1
HW12	Half Curve	2	1 of 1
HW13	Handle	3	1 of 1
HW14	Plate L	2	1 of 1
HW15	Cover Cap Sticker	13	1 of 1
HW16	Plastic Stopper	21	1 of 1
HW17	List "H"	2	1 of 1
HW18	Allen Key	1	1 of 1
HW19	Screw M6 x 15 mm	4	1 of 1
HW20	Anti-Tip	2	1 of 1
HW21	Ø 8 x 35 mm PLUG	4	1 of 1
HW22	Screw M10 x 50 mm	4	1 of 1
HW23	Bumpers	4	1 of 1
HW24	Foot Pads	4	1 of 1

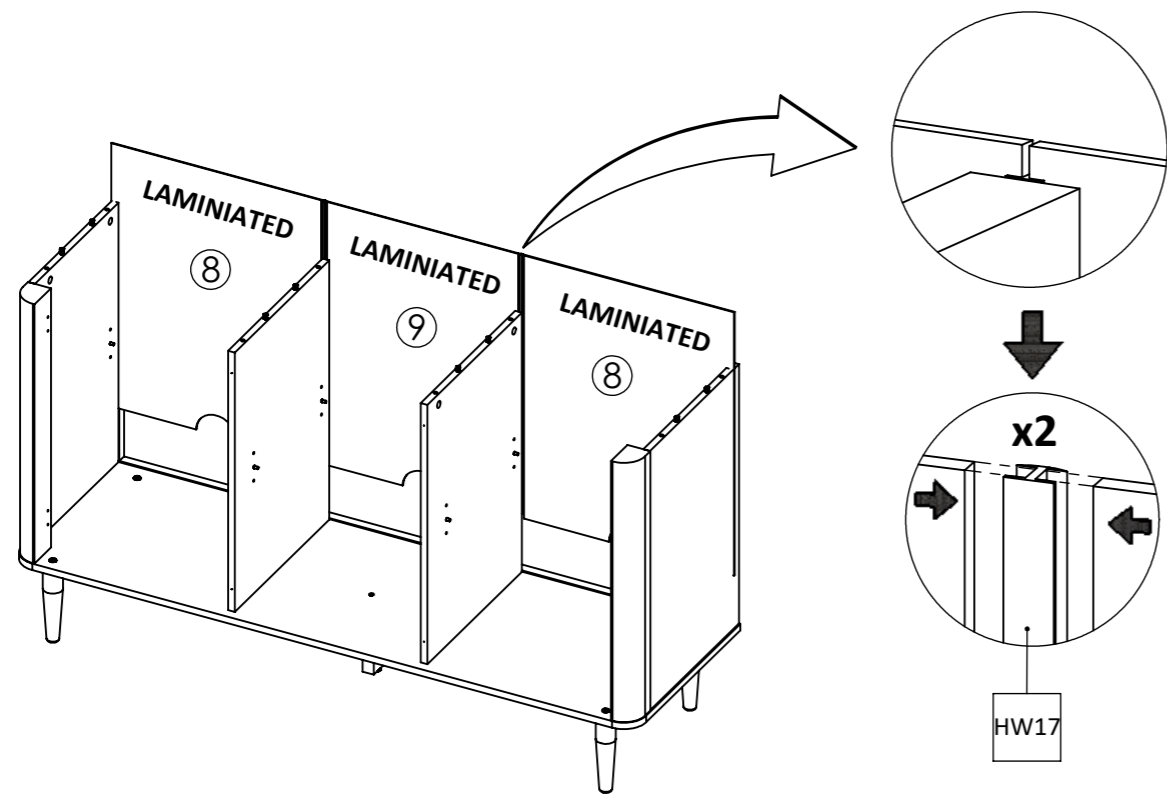
PREPARATION

Before beginning assembly of product, make sure all part are present. Compare part with part contents list and hardware contents list.

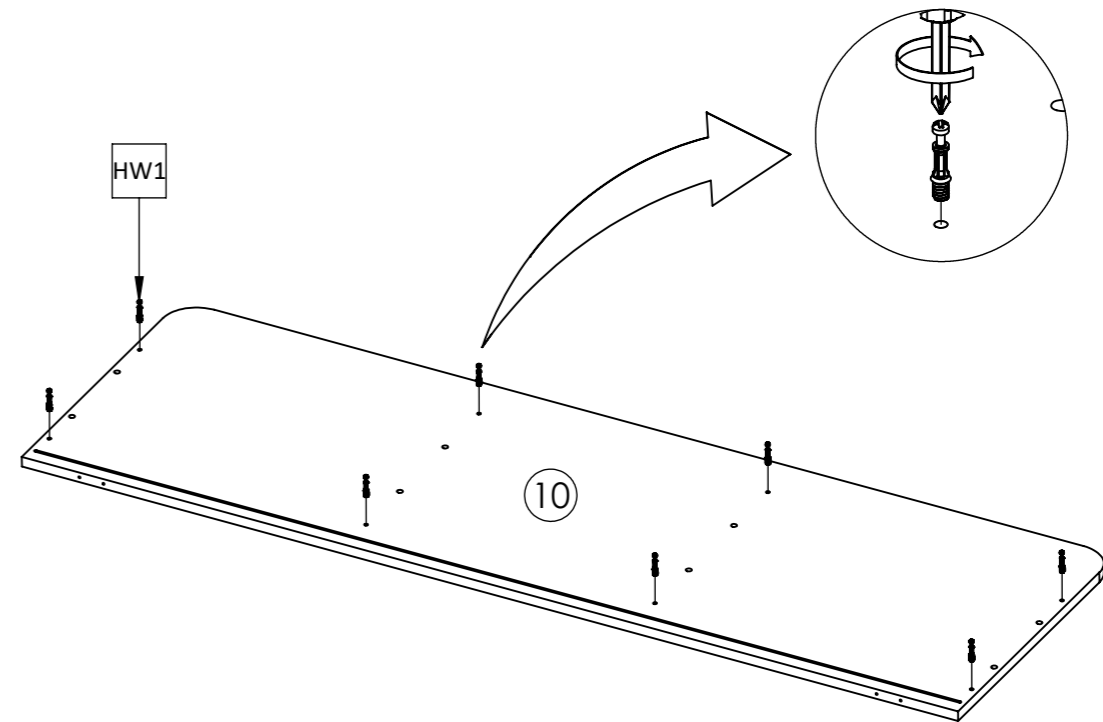
If any part is missing or damaged, do not attempt to assemble the product.

Estimated Assembly Time: 60 minutes.

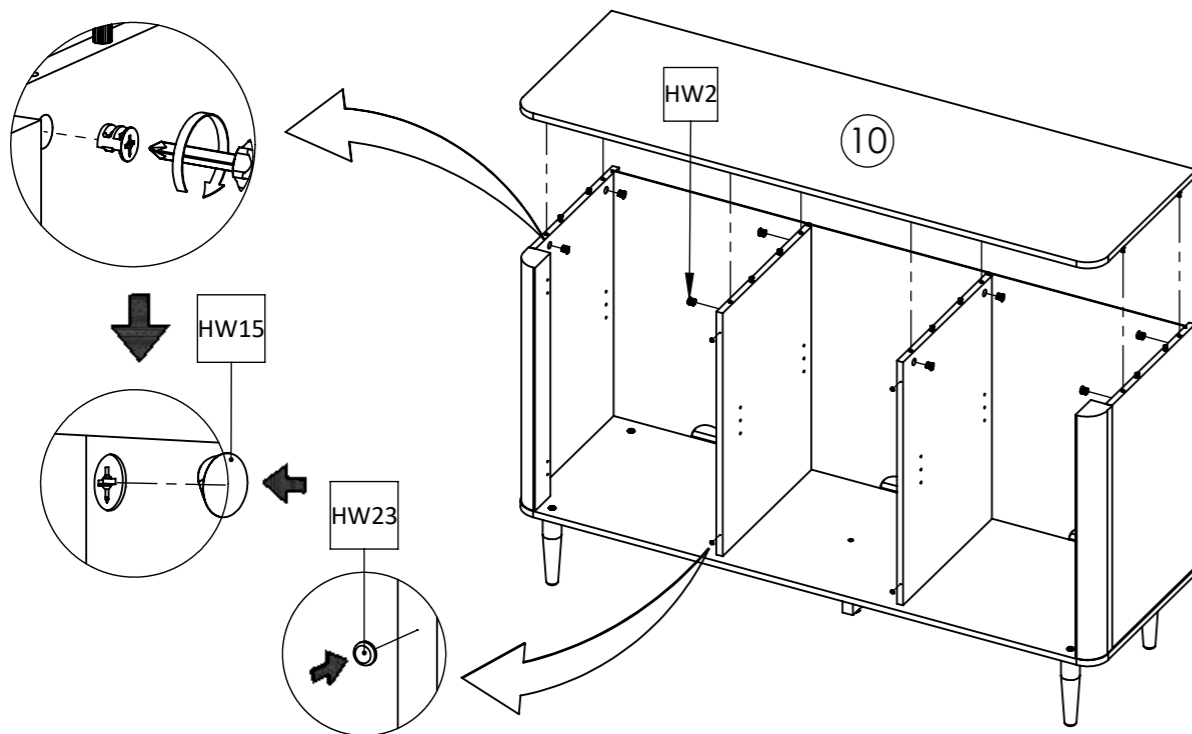




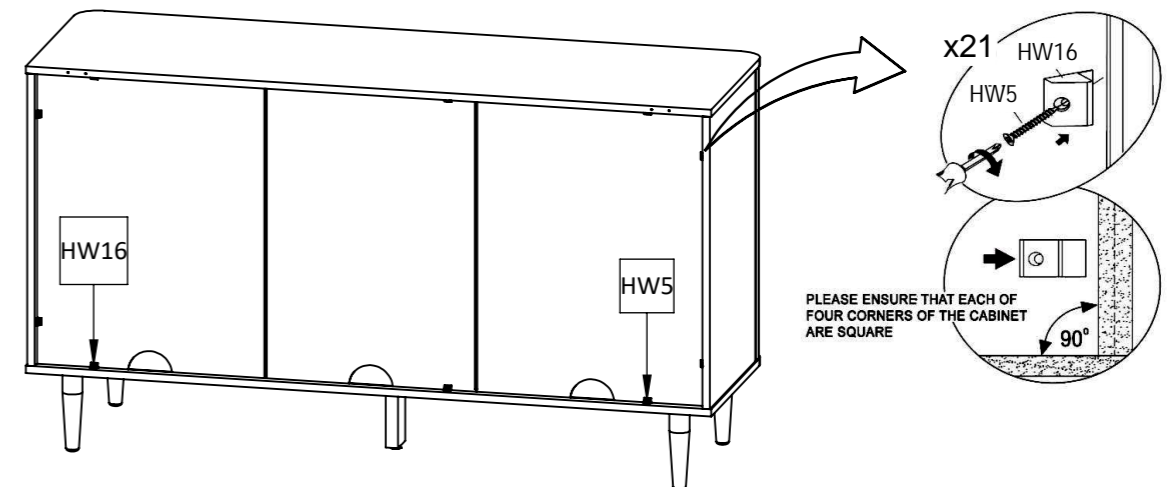
STEP5: Insert Back Panel (8 & 9) and List "H" (HW17).



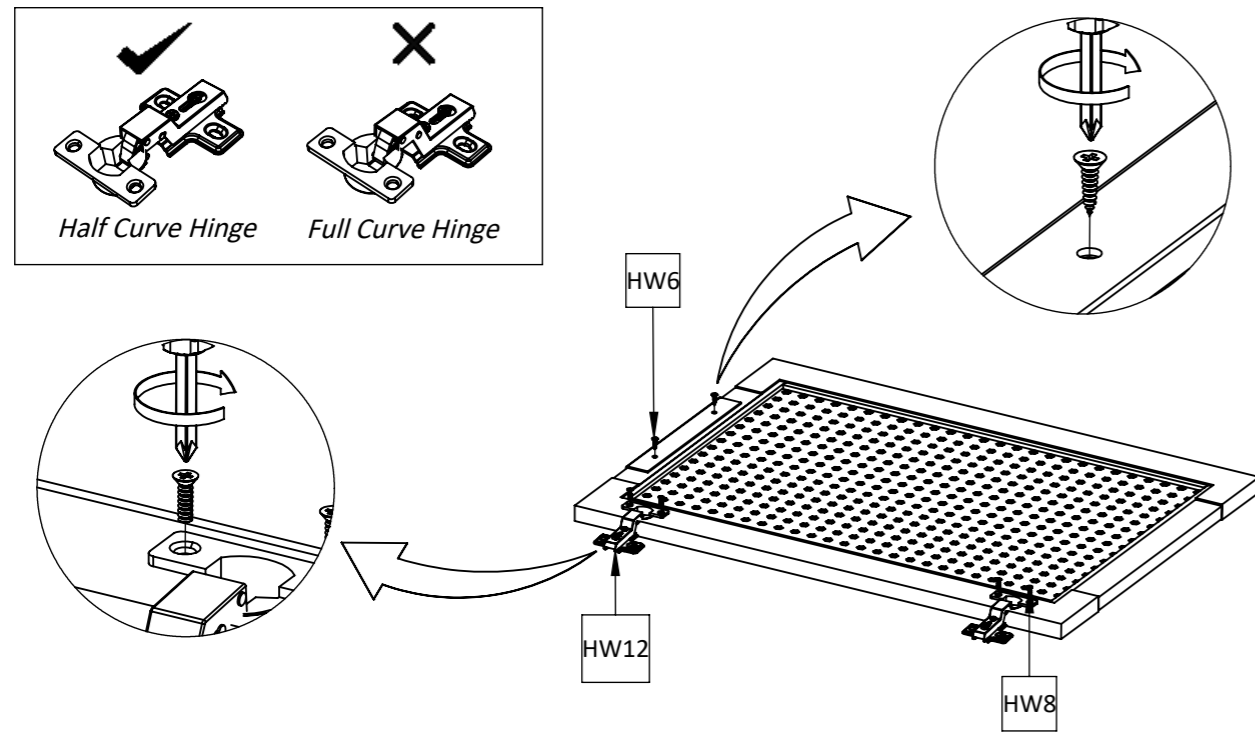
STEP6: Insert Cambolt (HW1) into Top Panel (10) and tighten it using Screwdriver.



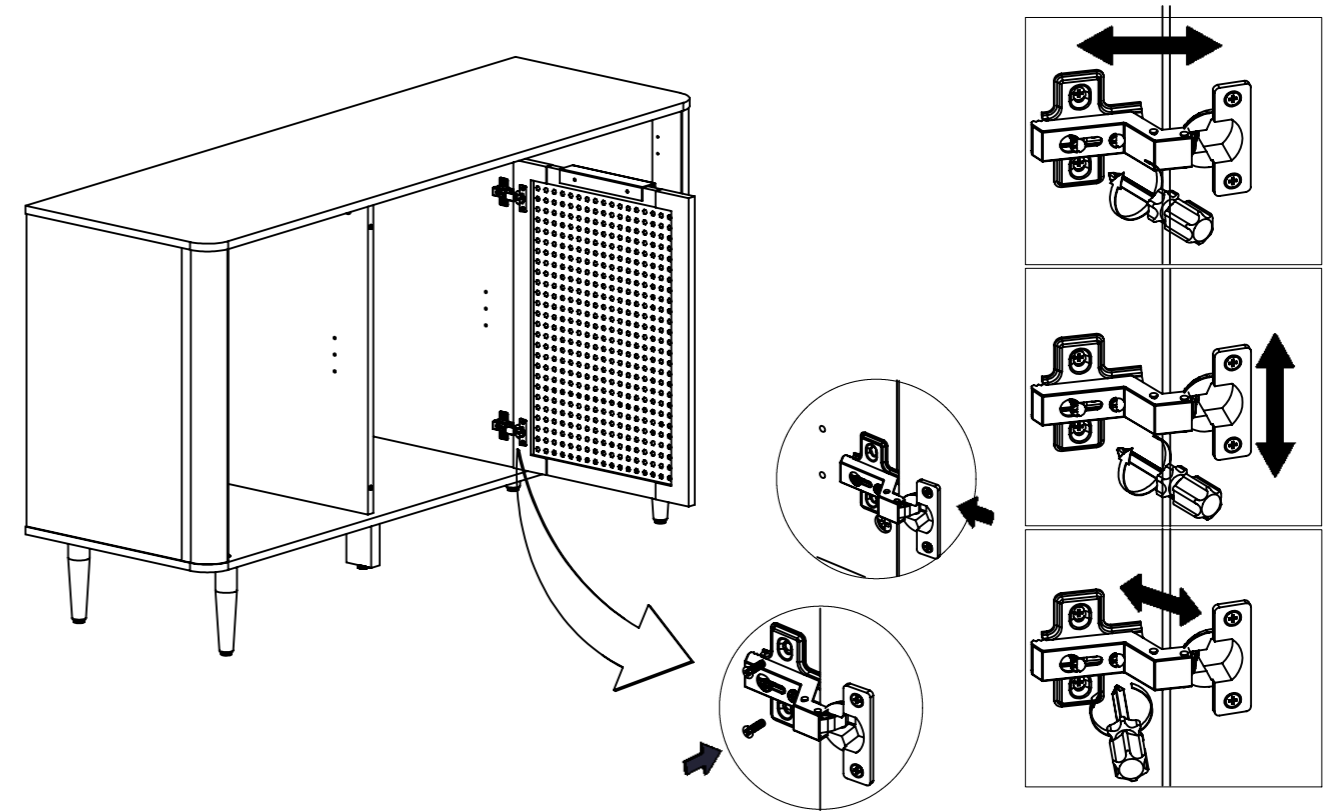
STEP7: Attach Top Panel (10) Secure with Camlock (HW2) and tighten it using Screwdriver. Continue attach the cover cap sticker (HW15) to the panel that has lamination, and attach the Bumpers (HW23) into Divider Panel Left-Right (3 & 4)



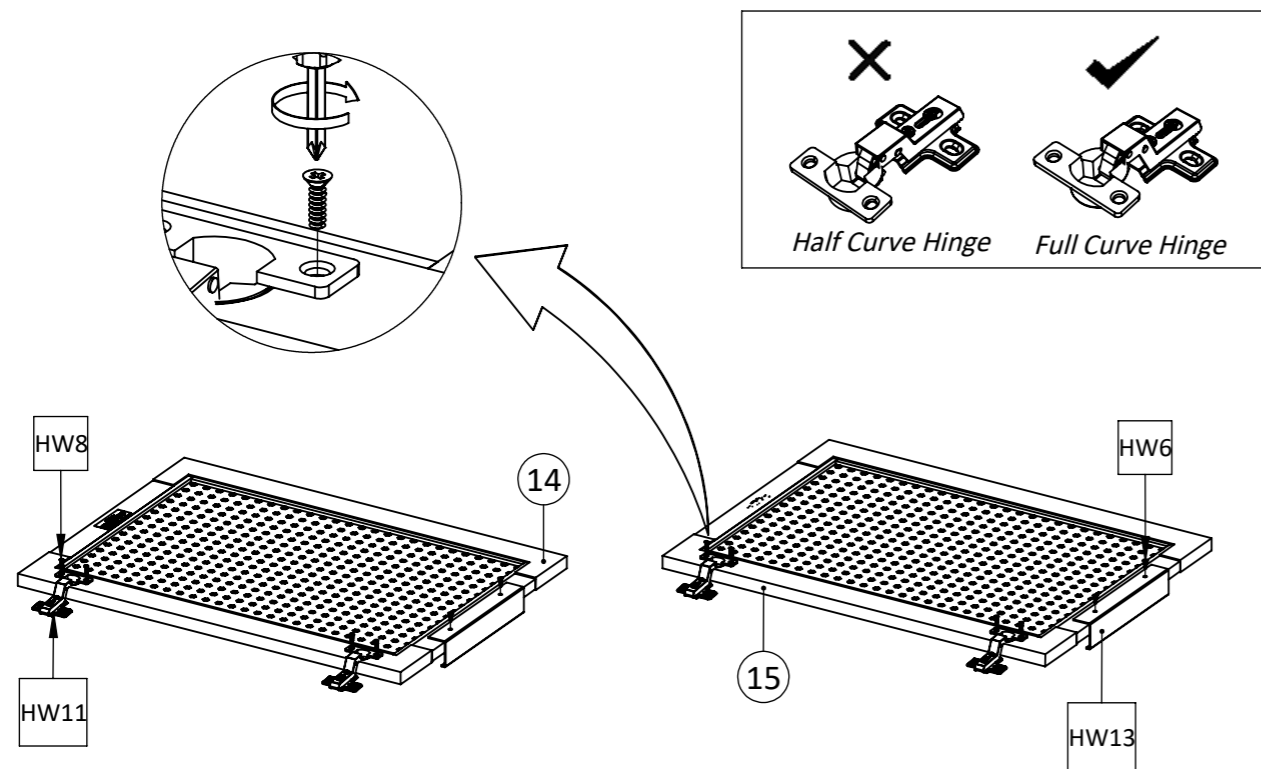
STEP8: Attach the Plastic Stoper (HW16) To the Back Panel Secure with Scrup 4x19 (HW5) and tighten it using Screwdriver.



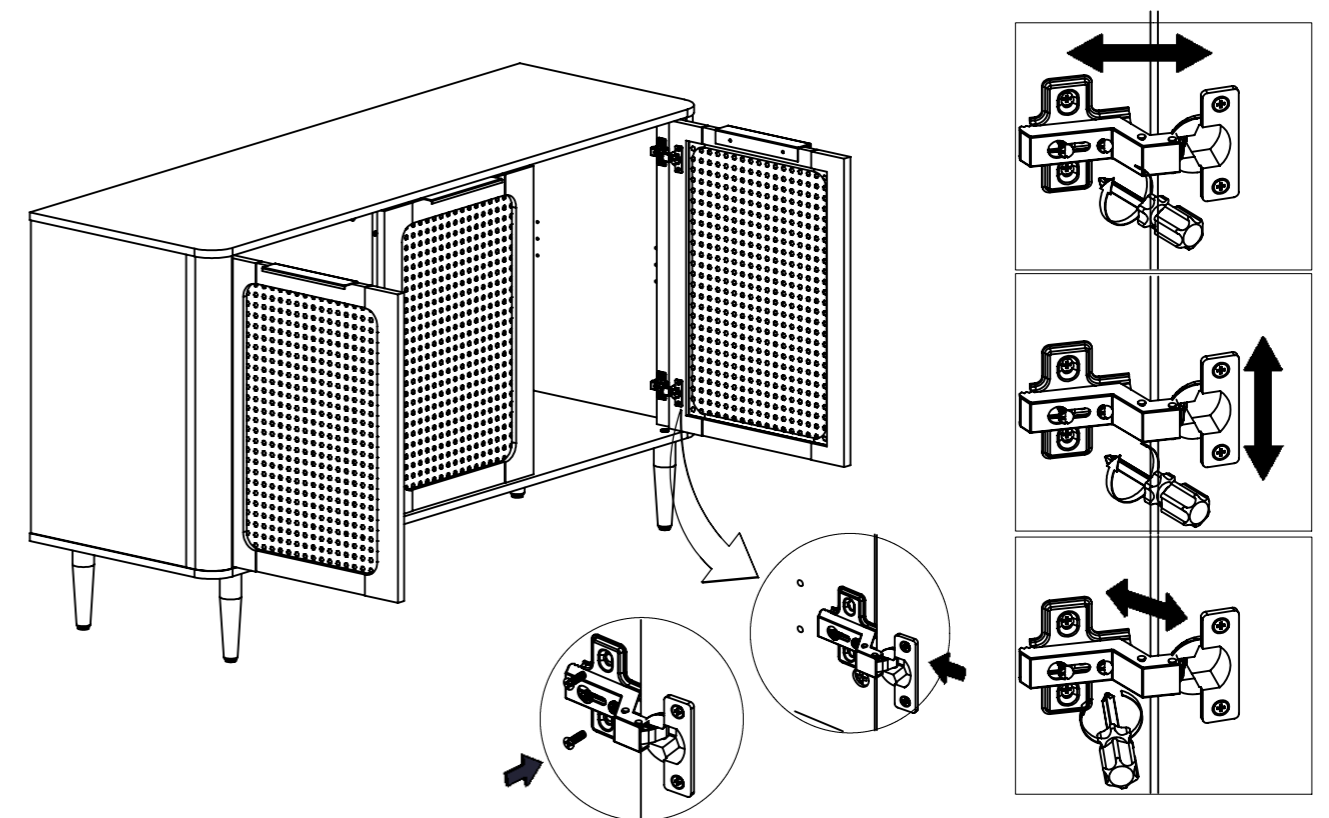
STEP9: Insert Half Curve Hinge (HW12) insert Handle (HW13) into Side Door (15), Secure with Screw M5 x 12 mm (HW8) and Screw M6 x 12 mm (HW6) tighten it using Screwdriver.



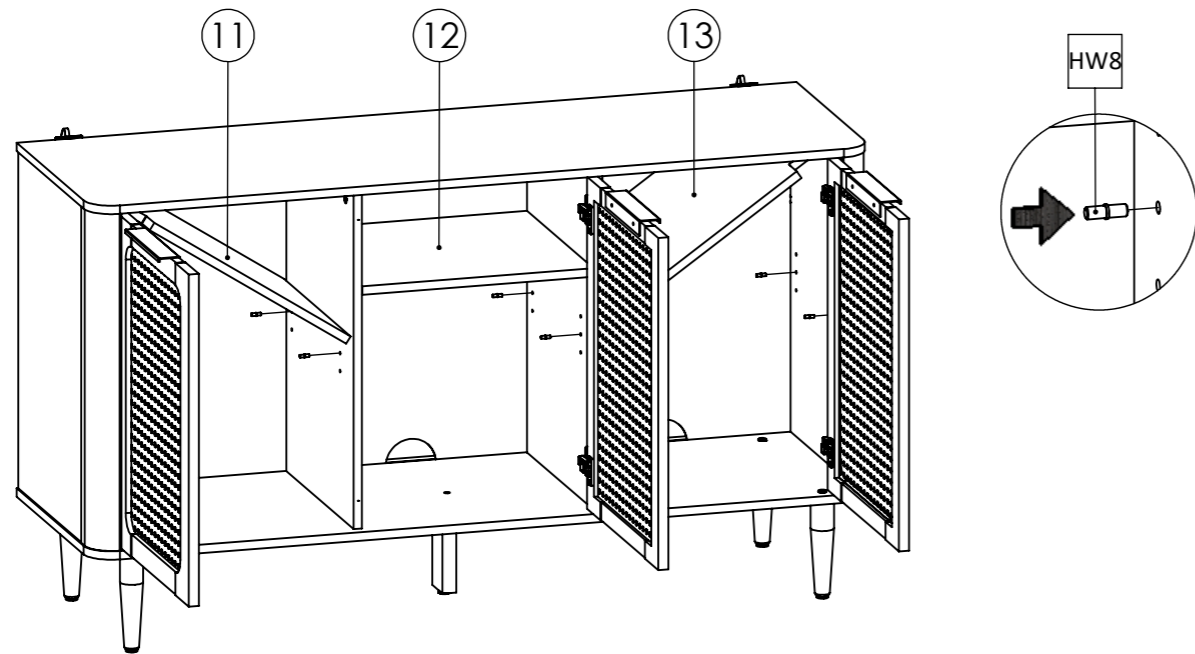
STEP10: Install The Half Curve Hinge (HW12) Into position as shown in picture, Scure With Screw M5X12 mm (HW8).



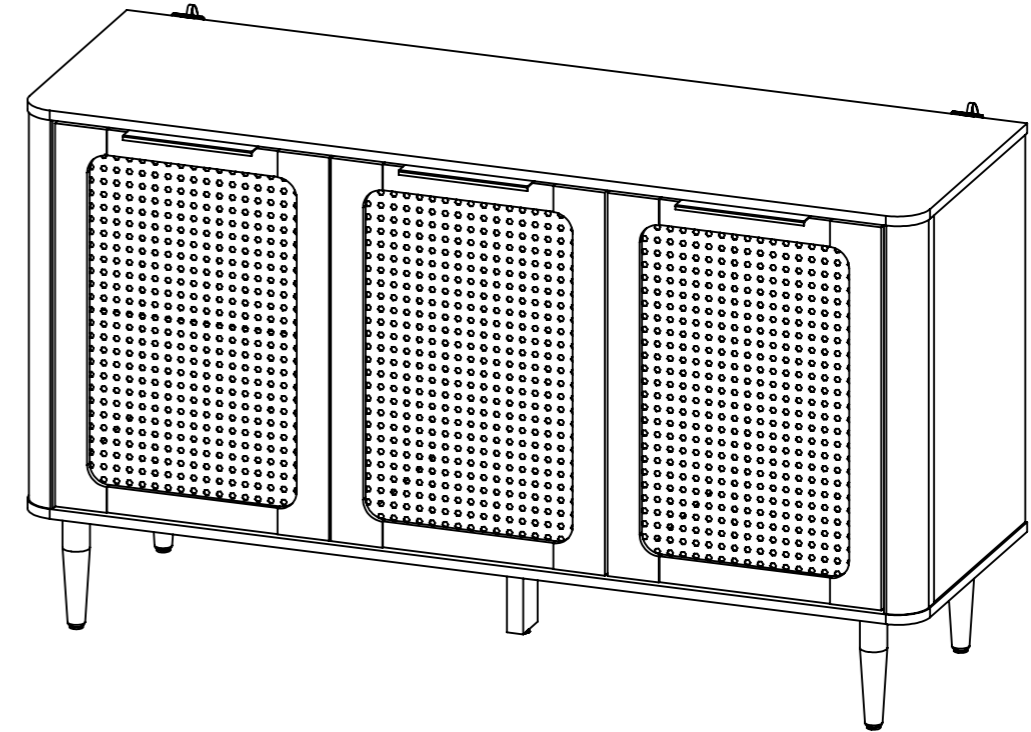
STEP11: Insert Full Curve Hinge (HW11) insert Handle (HW13) into Side Door (14 & 15), Secure with Screw M5 x 12 mm (HW8) and Screw M6 x 12 mm (HW6) tighten it using Screwdriver.



STEP12: Install The Full Curve Hinge (HW11) Into position as shown in picture, Scure With Screw M5X12 mm (HW8).



STEP 13: Attach Metal Pin (HW10) into Side and Divider Panel (2,3,4,5)
Insert Adjustable Shelf Left-Right (12 & 13) into position as shown in picture



STEP14: Assembly is Complete

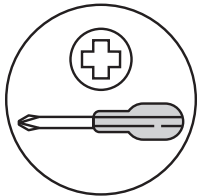
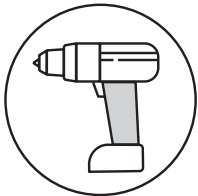


ANTI-TIP RESTRAINT INSTALLATION

! WARNING!

Children have died from furniture tipover.
To reduce the risk of furniture tipover:

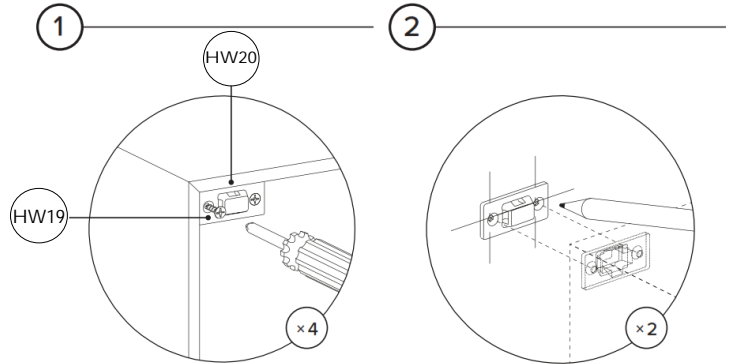
- ALWAYS install tipover restraint provided.
- NEVER allow children to stand, climb or hang on drawers, doors, or shelves.
- NEVER open more than one drawer at a time.
- Place heaviest items in the lower drawers.



REQUIRED TOOL
8MM / 5/16" DRILL BIT

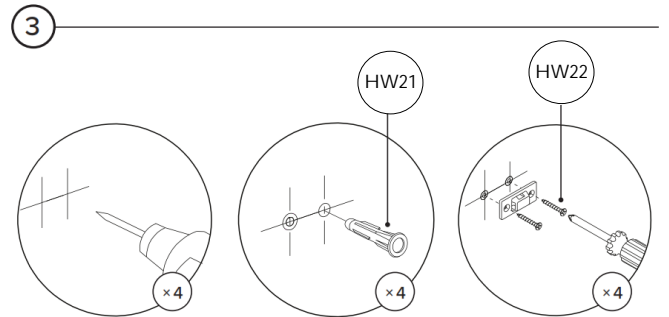
REQUIRED TOOL

! Hardware (HW21 / HW22) to attach brackets to wall is designed for drywall. To attach this unit to another type of wall, consult with your local hardware store.

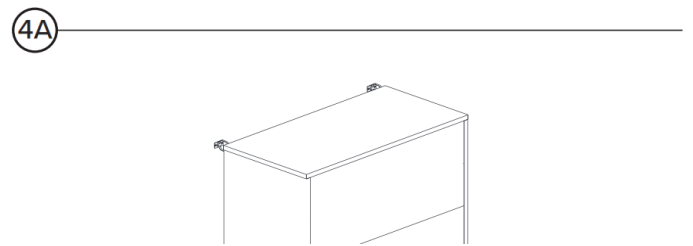


Attach pair of brackets to "Top Panel" of the unit. Note there are no existing pilot holes on the product.

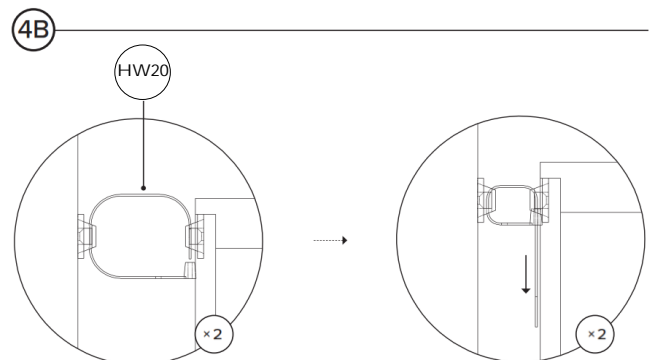
Mark on wall where second pair of brackets should be placed.



Drill holes in wall using 8mm / 5/16" drill bit.

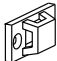

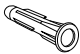
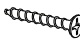



Align brackets on unit with brackets on wall.



Pull strap down until it snap-locks.

ANTI-TIP RESTRAINT PACK

ID	DESCRIPTION	QTY
HW20	BRACKET 	4
HW19	M6 × 15MM SCREW 	4
HW21	M8 × 35MM PLUG 	4
HW22	M10 × 50MM SCREW 	4
HW20	STRAP 	2