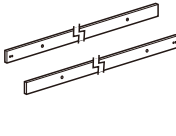




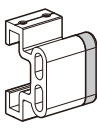
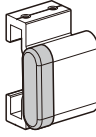


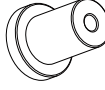


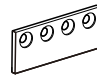

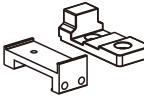

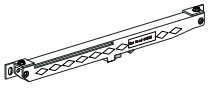


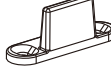
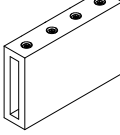

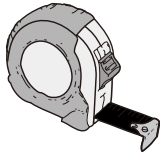

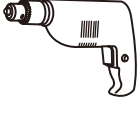


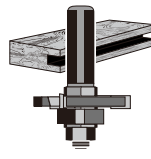
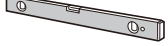
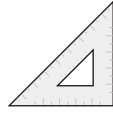


BARN DOOR HARDWARE KIT TSQ13BK-5FT+TKM02N-30IN-C INSTALLATION GUIDE

Main Components

<p>x1 Rail</p> 	<p>x2 Roller Hanger</p>  <p>x2 Anti-jump Block</p>  <p>Aluminum frame door screw</p>  x4 M6x12mm 15/64"x15/32"  x2 M4x6mm 5/32"x15/64"	<p>x1 Right Stopper</p> 	<p>x1 Left Stopper</p> 	<p>Allen Key</p> 				
<p>x4 (8mmx90mm) 5/16"x3 9/16" Wall Screw</p> 	<p>x4 Wall Spacer</p> 	<p>x4 25/64(10mm) Anchor Floor</p> 	<p>x4 Washers</p> 	<p>x1 connector</p> 	<p>x4 Screw</p> 	<p>x2 Actuator</p> 	<p>M4X6(X4) 3/20"x6/25"</p> 	<p>x2 soft close attachment</p> 
<p>x4 (4.2mm x 25mm) 3/16" x 1" Floor Screws</p> 	<p>x4 5/16"(8mm) Floor Anchor</p> 	<p>x2 Internal Floor-Mounted Door Guide</p> 	<p>x1 connector For double door installation</p> 	<p>x1 Allen Key</p> 				

Tools Required

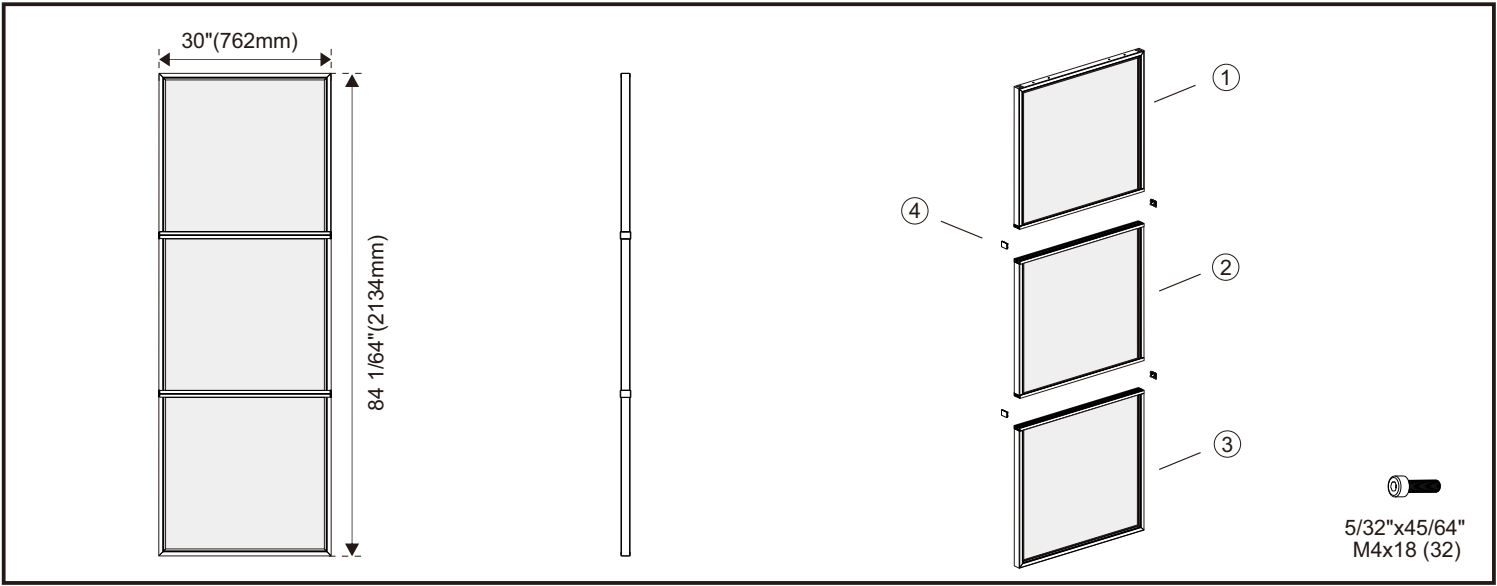
<p>Tape Measure</p> 	<p>Pencil</p> 	<p>Cordless Drill</p> 	<p>Phillips Screwdriver</p> 	<p>Wrench</p> 	<p>1/4" Mortise Router Head</p>  <p>Required for Floor-Mounted Door Guide InstallationAllen</p>	<p>Level</p> 
<p>Speed Square</p> 						

IMPORTANT: BEFORE YOU BEGIN

IF INSTALLING DIRECTLY INTO A NON-CONCRETE WALL, DO NOT ATTEMPT TO INSTALL THE RAIL SOLELY TO THE DRYWALL OR ANY WALL SURFACE AS THIS MAY NOT SUPPORT THE WEIGHT OF THE RAIL AND MOUNTED DOOR. THE RAIL MUST BE INSTALLED ONTO A PIECE OF SOLID WOOD BLOCKING (PACKAGE NOT INCLUDED) USING MOUNTING SCREWS (PACKAGE NOT INCLUDED). ENSURE THE SOLID WOOD BLOCKING IS SECURED INTO THE STRUCTURAL SURFACE. USE A STUD FINDER WHERE NECESSARY TO LOCATE STUDS AND SECURE SAFELY. TYPICAL SOLID WOOD BLOCKING SHOULD BE 92 23/64" x 5 1/2" x 7/8".

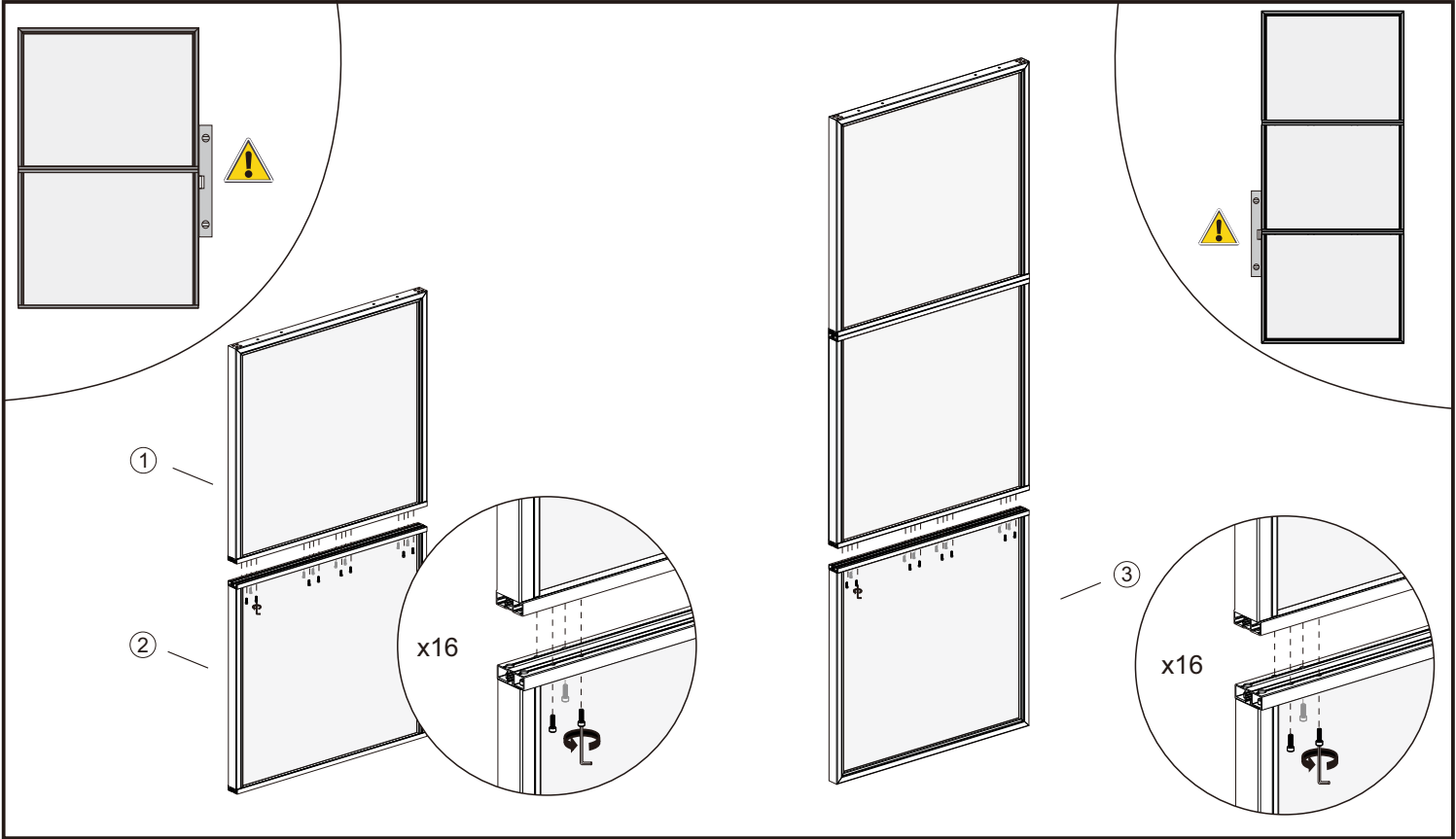
NOTE, SEPARATE BOLTS ARE PROVIDED FOR 13/8" DOORS AND LONGER BOLTS PROVIDED FOR 13/4" DOORS. IF INSTALLING WITH THE INTERNAL FLOOR-MOUNTED DOOR GUIDE, THE DOOR MUST BE MORTISED 1/4" WIDE X 3/4" DEEP CENTRALLY.

BARN DOOR HARDWARE KIT
TSQ13BK-5FT+TKM02N-30IN-C
INSTALLATION GUIDE

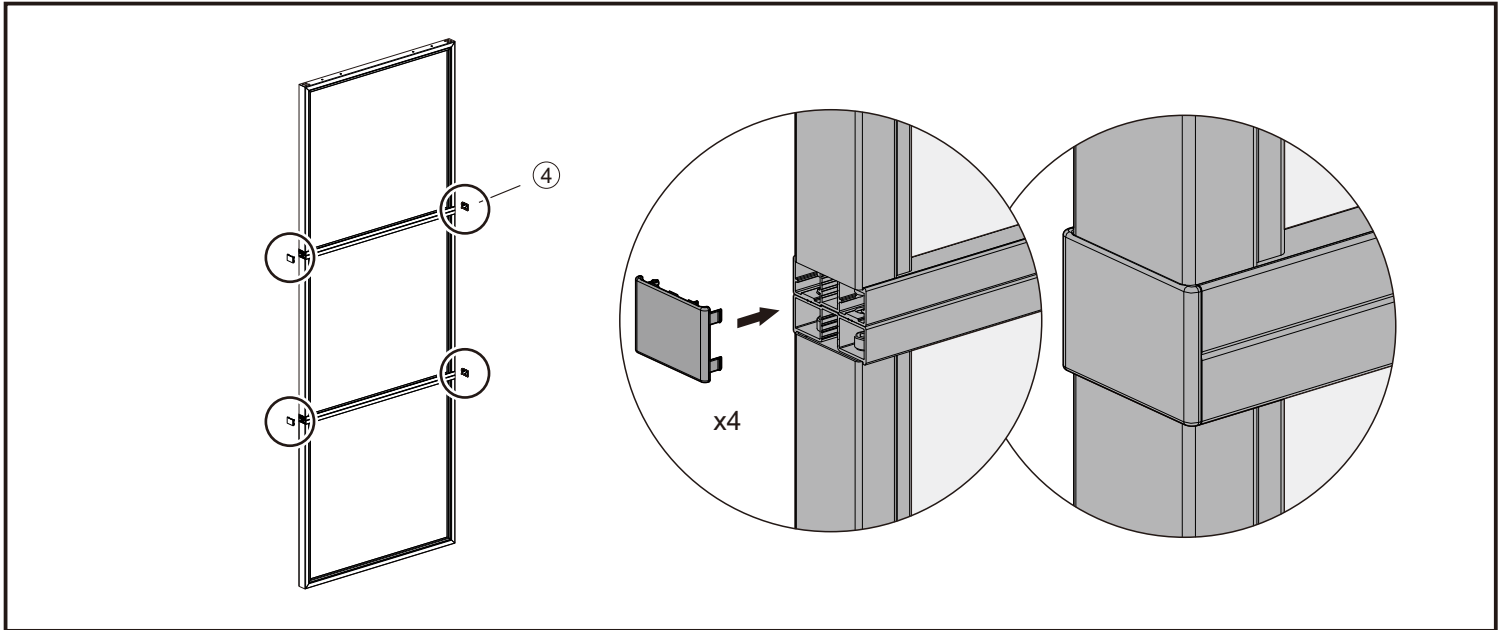


Door Preparation

The door is divided into three parts: upper, middle and lower parts ① ② ③
Please fixed with 5/32"x45/64" screws

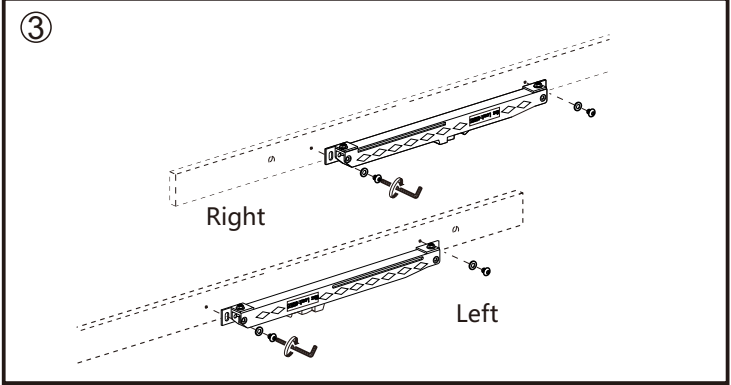
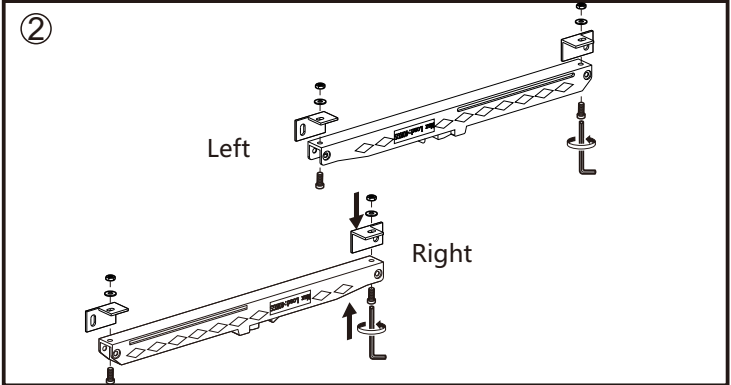
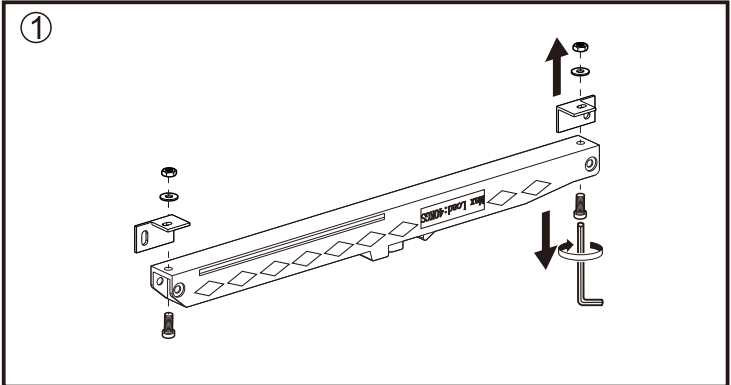


BARN DOOR HARDWARE KIT
TSQ13BK-5FT+TKM02N-30IN-C
INSTALLATION GUIDE



Step 1. Soft Close Installation

Unscrew the screw with a wrench firstly. Change the soft closes to the correct direction, then tighten and install them on the rail.

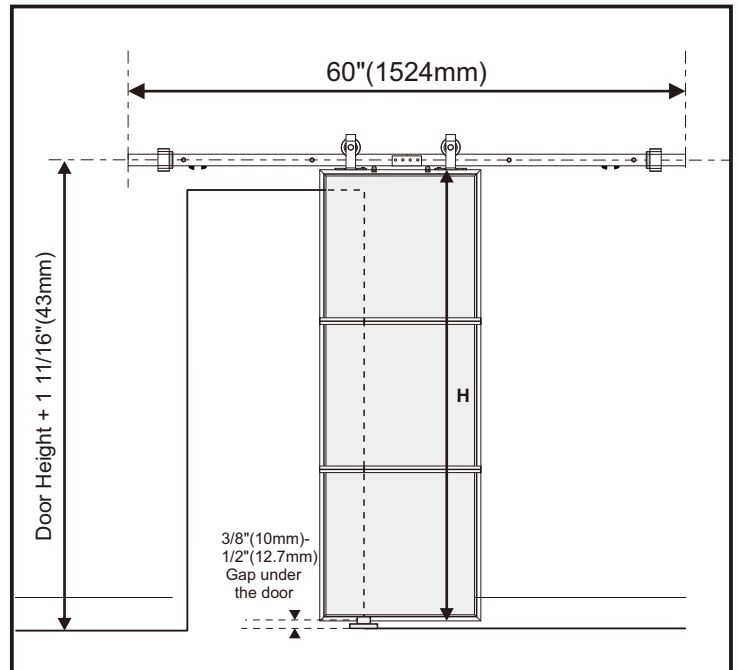


BARN DOOR HARDWARE KIT
TSQ13BK-5FT+TKM02N-30IN-C
INSTALLATION GUIDE

Single door installation steps

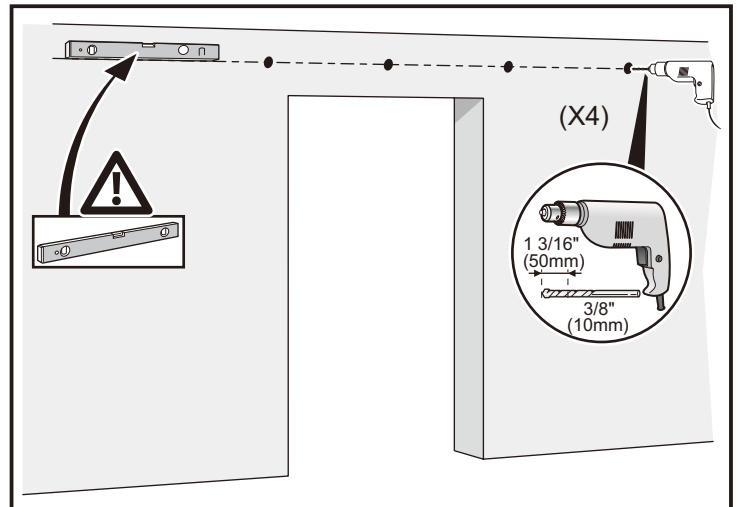
Step 2. CONCRETE Wall Preparation1

Position the rail by measuring up from the door height (H) + 1 11/16" to the centre of the track. Also ensure a gap of 3/8" - 1/2" at the bottom. Ensure the rail is level and leave a minimum of 2" from the end of the rail to the side of the opening.



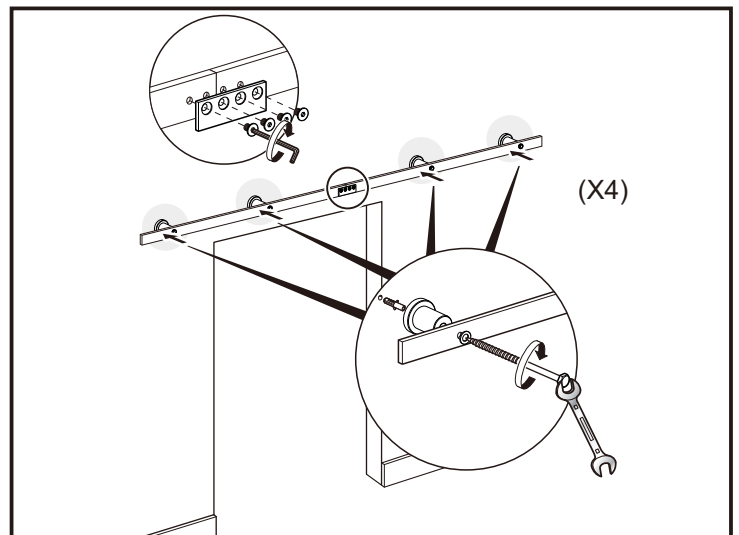
Step 3. CONCRETE Wall Preparation2

Position the rail in place ensuring that it is level, mark the holes on the rail using a pencil and pre-drill 3/8" holes into the concrete.



Step 4. CONCRETE Rail Installation

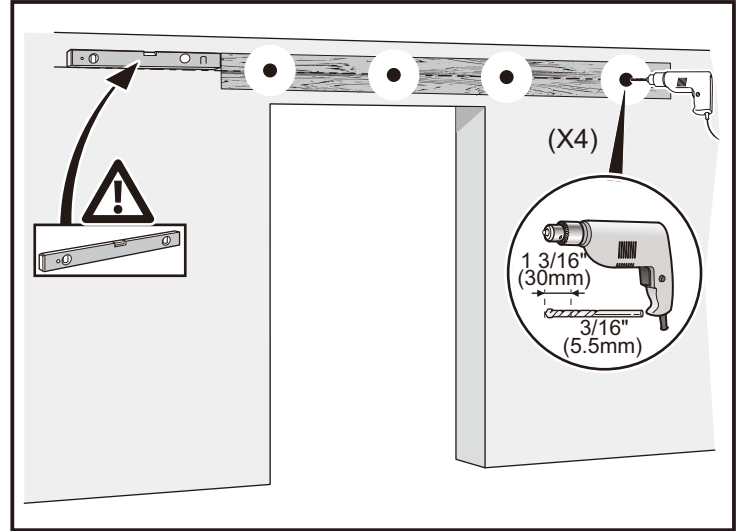
When installing directly into concrete, align the spacers to holes, insert using the provided anchors and hex bolts (with washers) Ensure to un-screw to separate the hex bolt and anchor to install correctly, securing with a wrench.



BARN DOOR HARDWARE KIT
TSQ13BK-5FT+TKM02N-30IN-C
INSTALLATION GUIDE

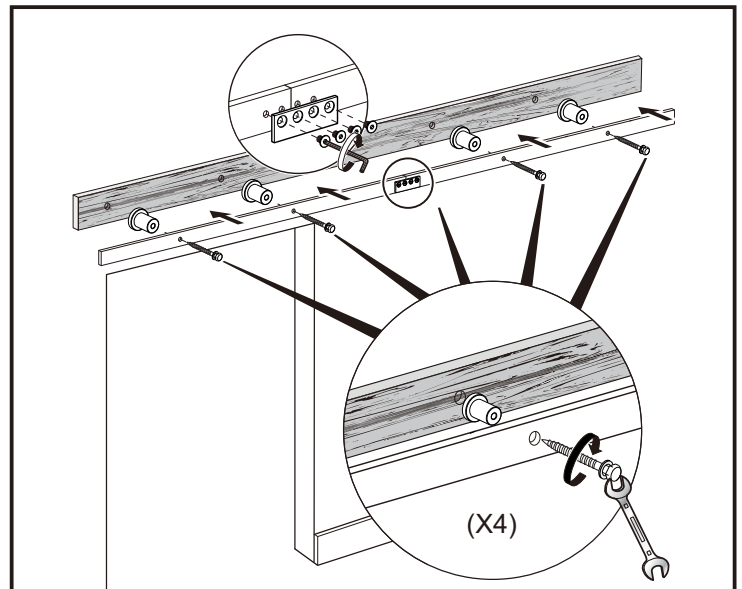
Step 5. DRYWALL Wall Preparation

Position the rail on top of the wood blocking ensuring levelness, mark the holes using a pencil and pre-drill 3/16" holes into the wood blocking.



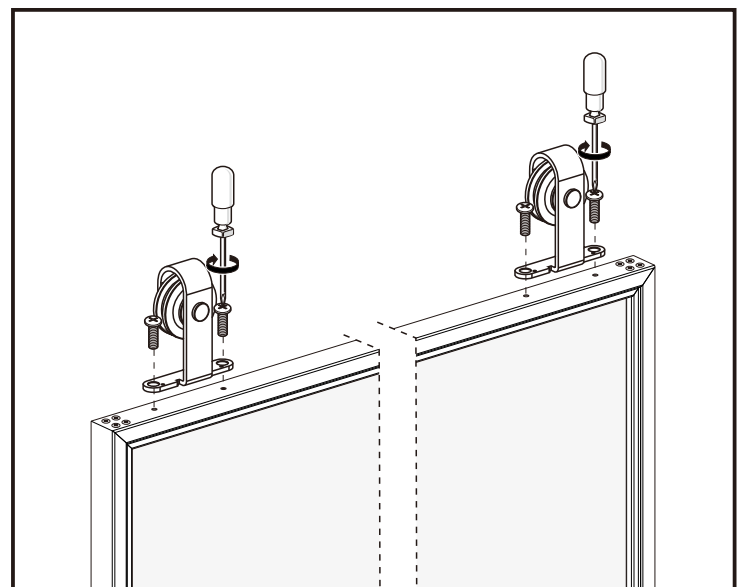
Step 6. DRYWALL Rail Installation

When installing into the solid wood block and wall, insert using the provided wall screws. Align each spacer to the rail holes, inserting screws (with washers), securing with a wrench.



Step 7. Door Preparation – Strap Installation

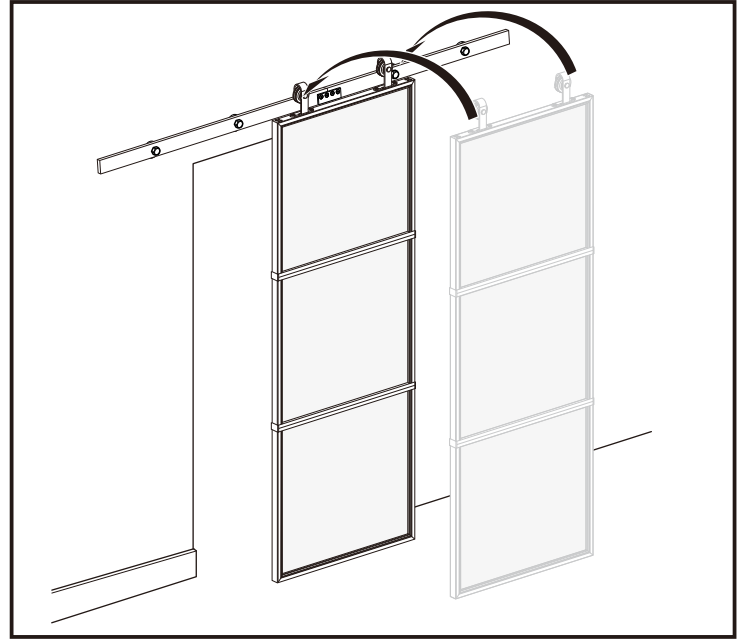
Install the rollers on the reserved hole of the top of door by 15/64"x15/32" screw.



BARN DOOR HARDWARE KIT
TSQ13BK-5FT+TKM02N-30IN-C
INSTALLATION GUIDE

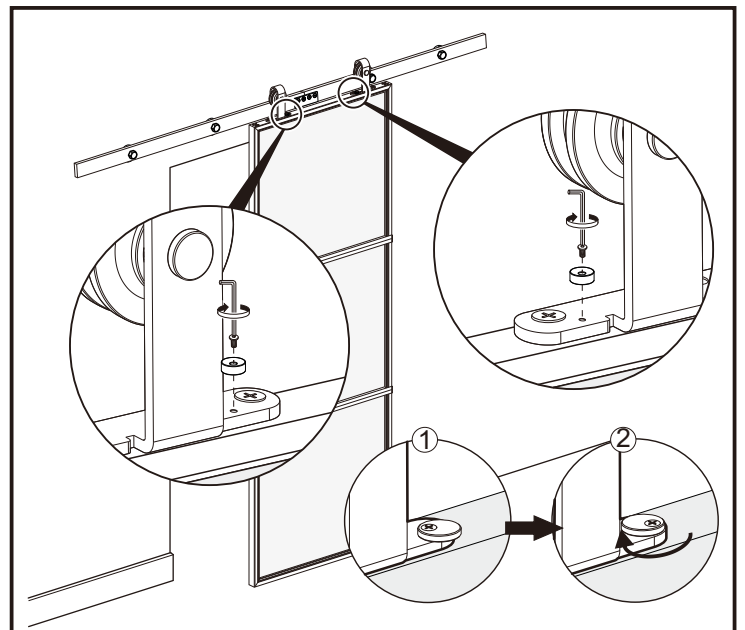
Step 8. Hanging the Door

Place the assembled door onto the secured rail and tighten



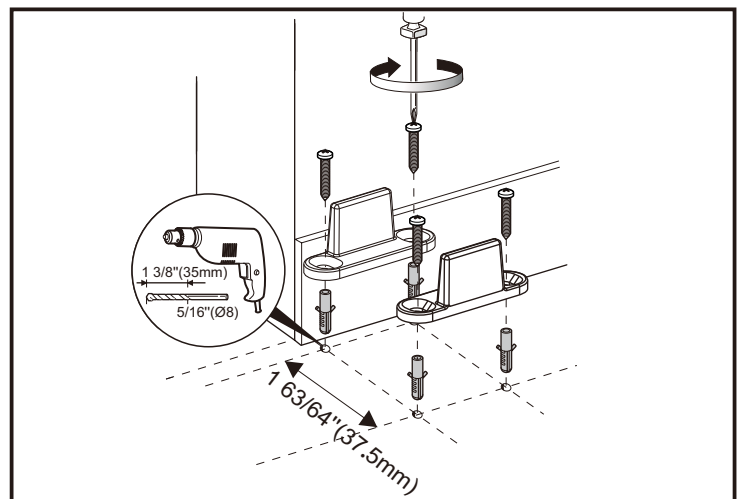
Step 9. Door Preparation - Anti-jump block Installation

Install the anti-jump on the rollers by 5/32" x15/64" screw to protect the door from touching the rail when sliding the door.



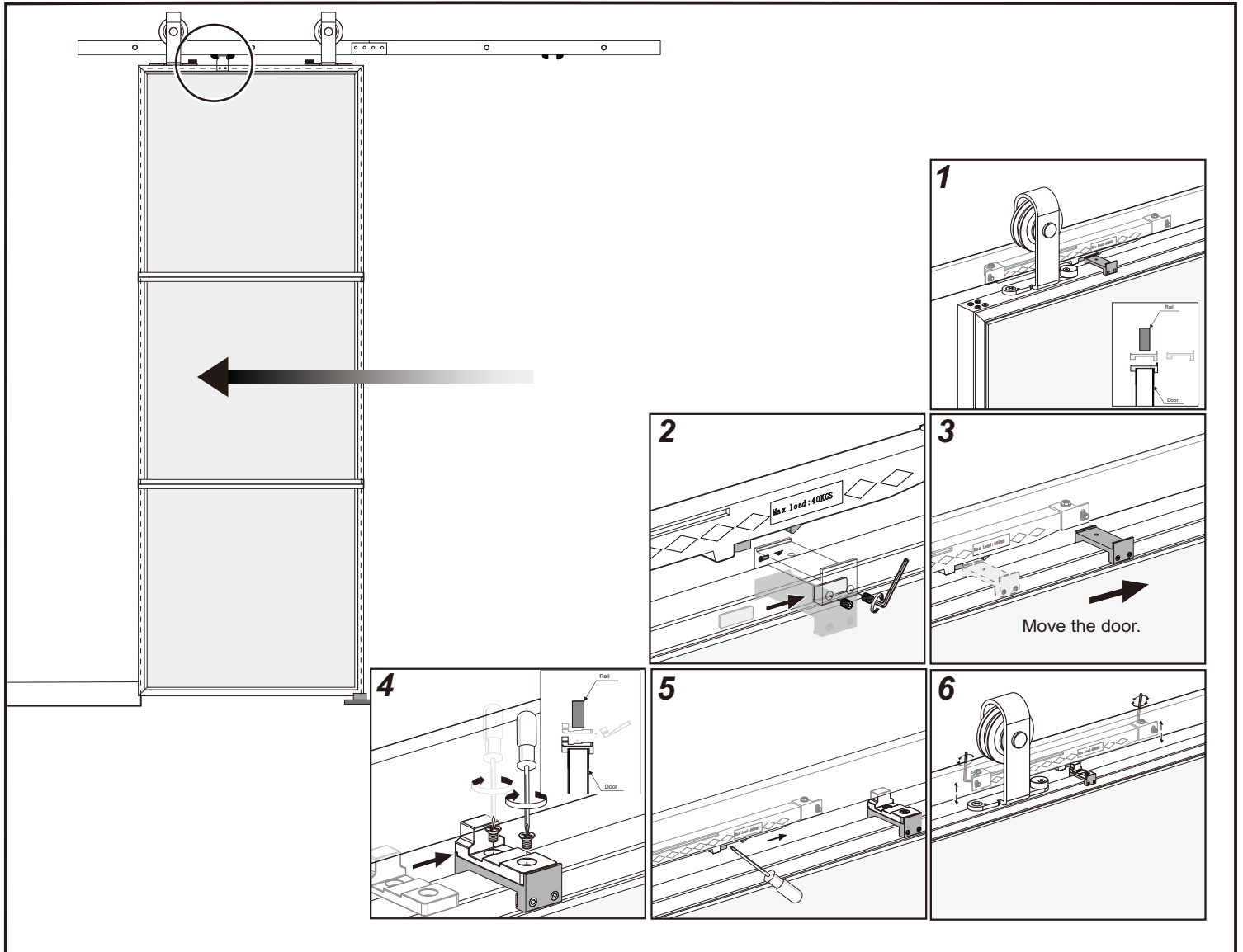
Step 10. Floor-Mounted Door Guide Installation

Once the door is plumb, position the floor-mounted door guide inside the mortised door, line up close to the opening. Slide the door side-to-side to ensure functionality for final placement then mark holes with a pencil and pre-drill 5/16" holes. If drilling directly into a concrete floor, use the provided anchors.



Step 11. Install right left close attachment

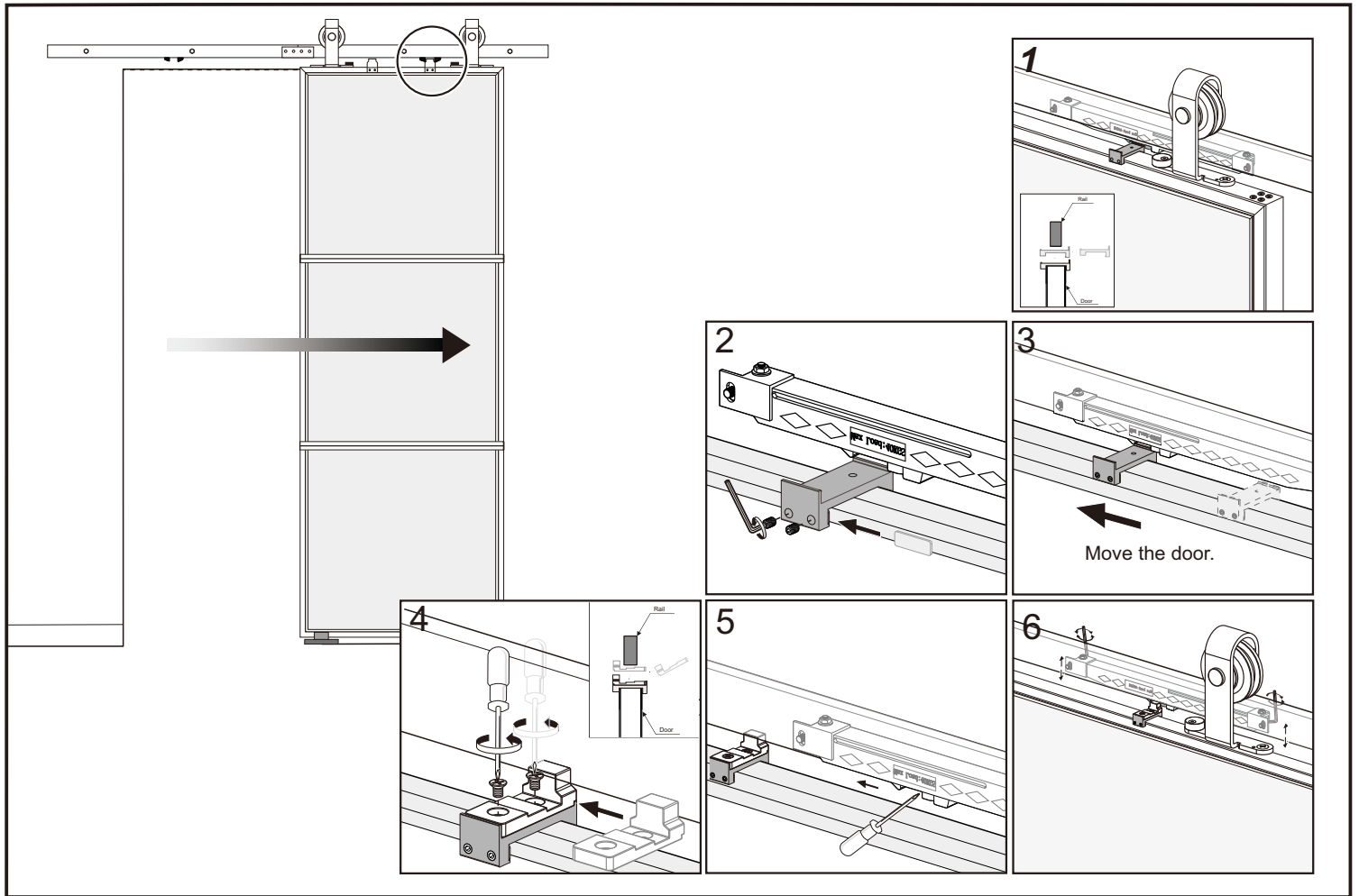
1. Push the door to the left, push it to the required position.
place the actuator connector in the middle of the actuator claw.
2. Insert the washers and tighten it with a wrench.
3. Push the door to the right and install the actuator on the connector.
4. Move the actuator claw to the right, adjust the actuator to a limited position.
adjust the height of the soft close, and make sure it works.



BARN DOOR HARDWARE KIT
TSQ13BK-5FT+TKM02N-30IN-C
INSTALLATION GUIDE

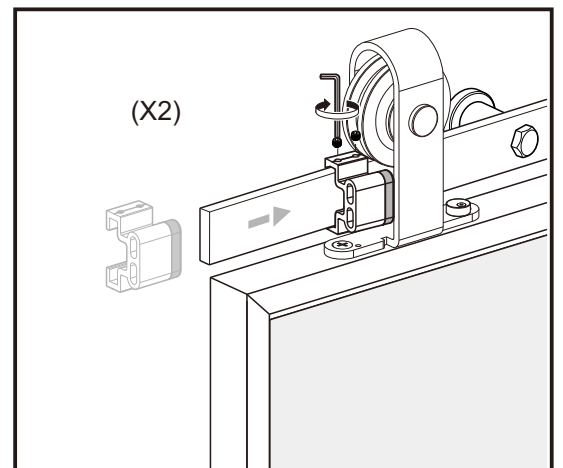
Step 12. Install right soft close attachment

1. Push the door to the right, push it to the required position.
place the actuator connector in the middle of the actuator claw.
2. Insert the washers and tighten it with a wrench.
3. Push the door to the left and install the actuator on the connector.
4. Move the actuator claw to the left, adjust the actuator to a limited position.
adjust the height of the soft close, and make sure it works.



Step 13. Stopper Installation

Slide the door closed and to correct position of both stoppers. Using the provided Allen key, tighten into position to complete the installation of the Barn Door Kit.

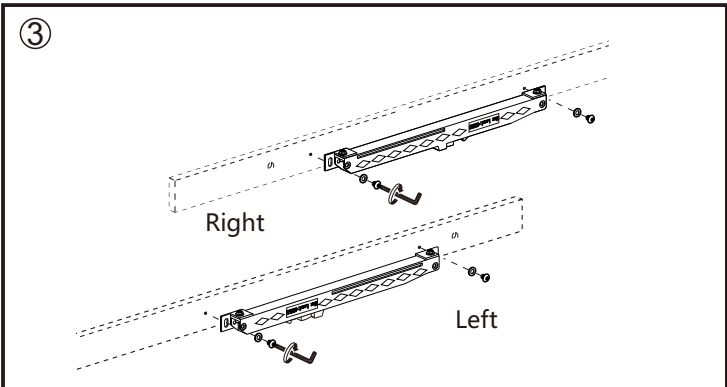
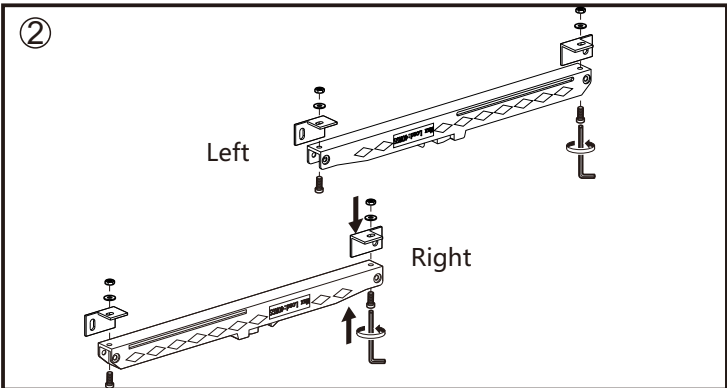
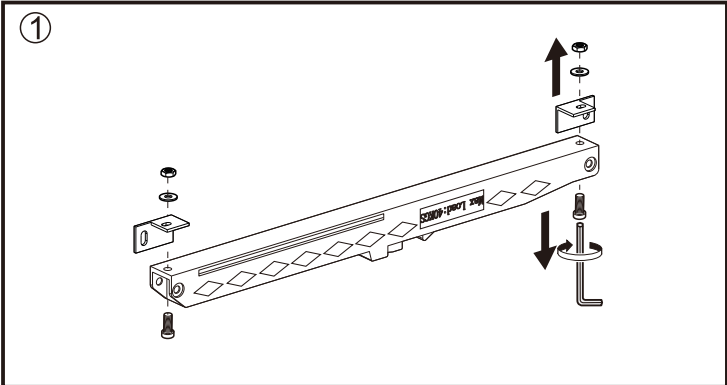


BARN DOOR HARDWARE KIT
TSQ13BK-5FT+TKM02N-30IN-C
INSTALLATION GUIDE

Double door installation steps

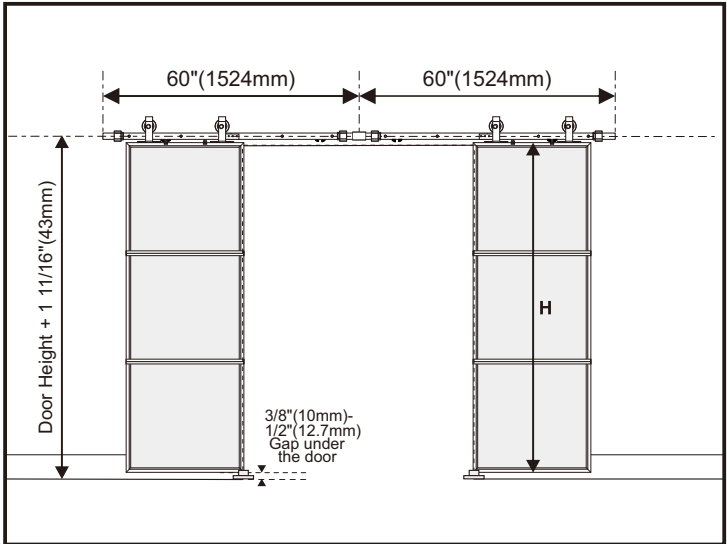
Step 1. Soft Close Installation

Unscrew the screw with a wrench firstly. Change the soft closes to the correct direction, then tighten and install them on the rail.



Step 2. CONCRETE Wall Preparation1

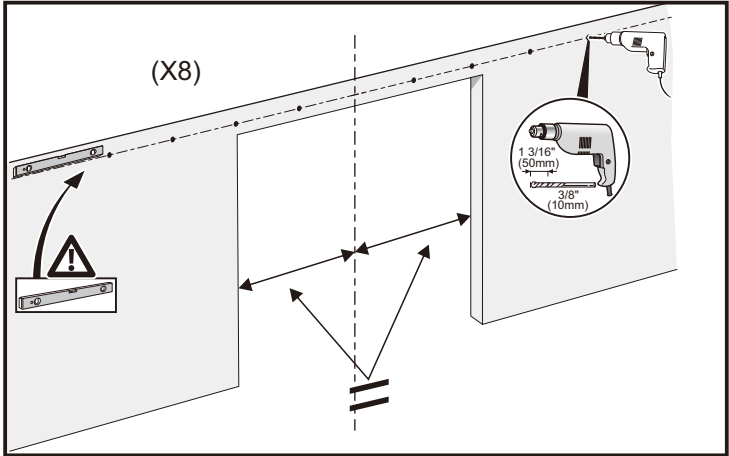
Position the rail by measuring up from the door height (H) + 1 11/16" to the centre of the track. Also ensure a gap of 3/8" - 1/2" at the bottom. Ensure the rail is level and leave a minimum of 2" from the end of the rail to the side of the opening.



BARN DOOR HARDWARE KIT
TSQ13BK-5FT+TKM02N-30IN-C
INSTALLATION GUIDE

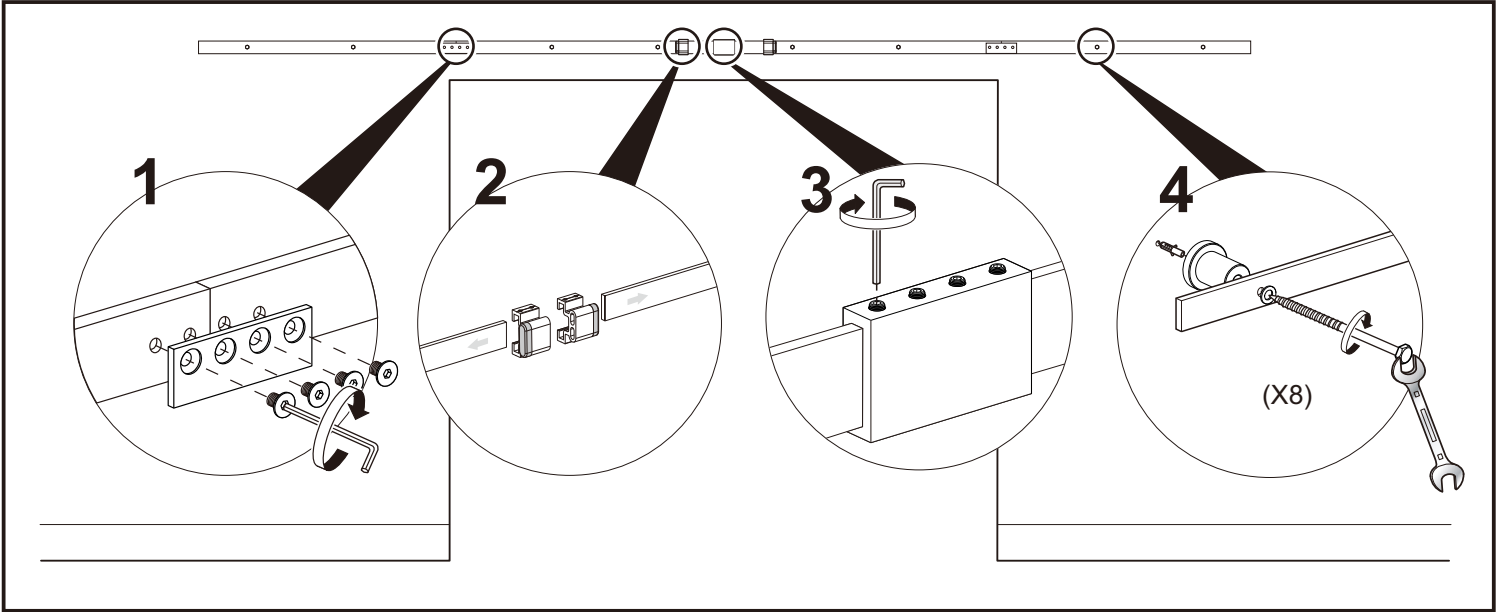
Step 3. CONCRETE Wall Preparation2

Position the rail in place ensuring that it is level, mark the holes on the rail using a pencil and pre-drill 3/8" holes into the concrete.



Step 4. CONCRETE Rail Installation

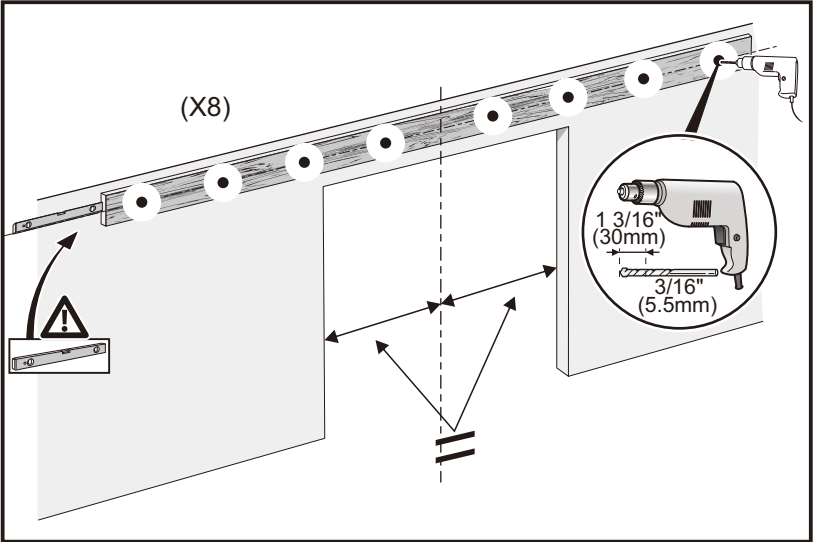
When installing directly into concrete, align the spacers to the holes, insert using the provided anchors and hex bolts (with washers). Ensure to unscrew to separate the hex bolt and anchor to install correctly, securing with a wrench.



BARN DOOR HARDWARE KIT
TSQ13BK-5FT+TKM02N-30IN-C
INSTALLATION GUIDE

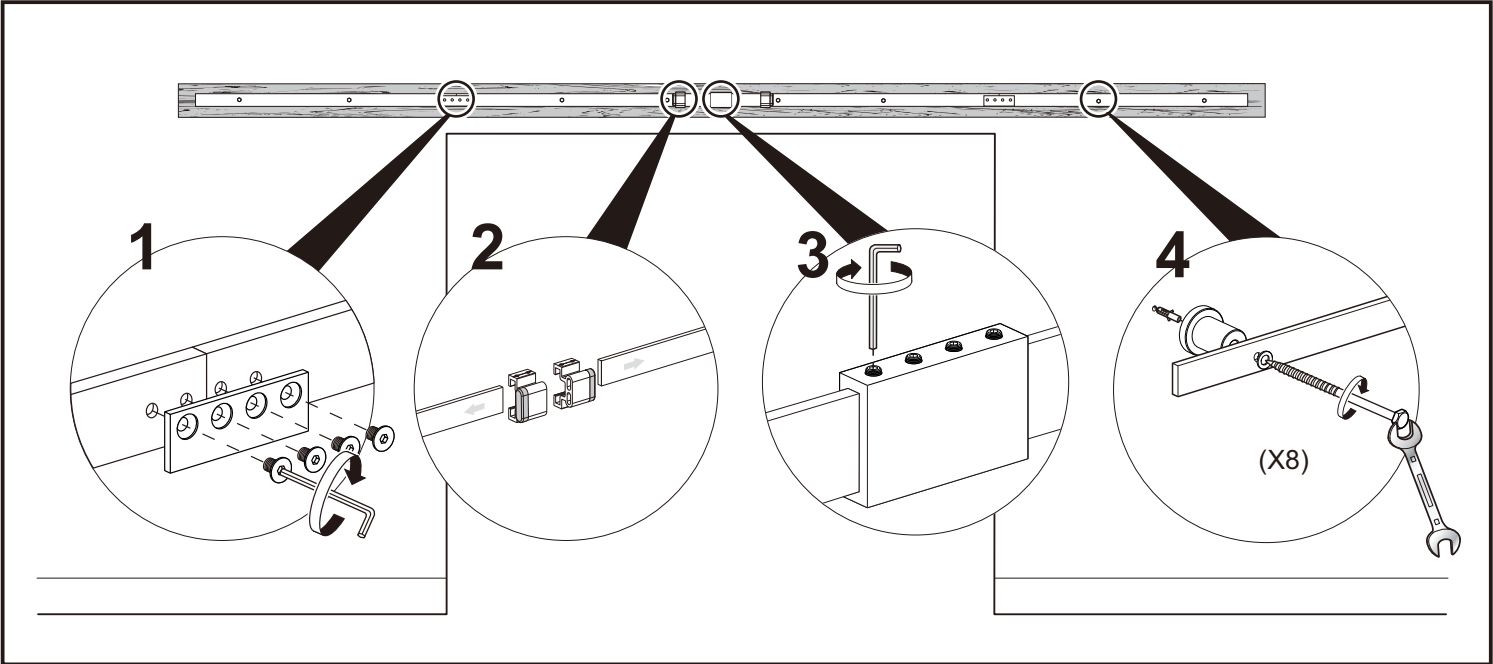
Step 5. DRYWALL Wall Preparation

Position the rail on top of the wood blocking ensuring levelness, mark the holes using a pencil and pre-drill 3/16" holes into the wood blocking.



Step 6. DRYWALL Rail Installation

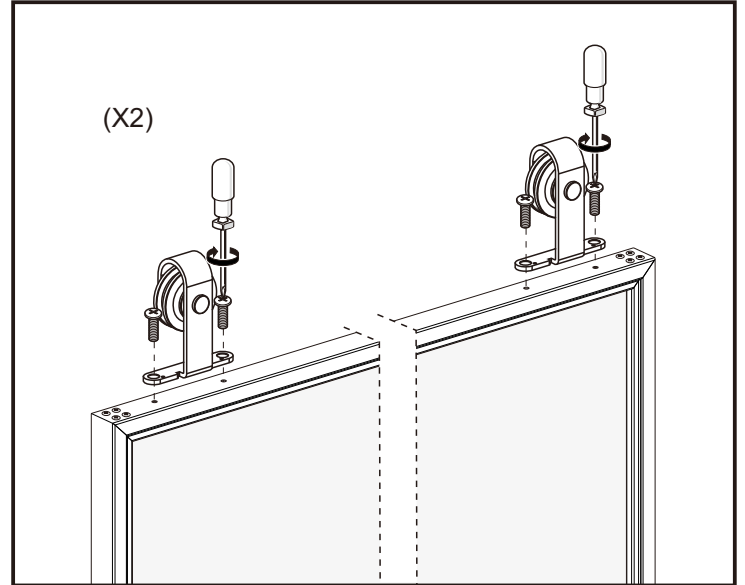
When installing into the solid wood block and wall, insert using the provided wall screws. Align each spacer to the rail holes, inserting screws (with washers), securing with a wrench.



BARN DOOR HARDWARE KIT
TSQ13BK-5FT+TKM02N-30IN-C
INSTALLATION GUIDE

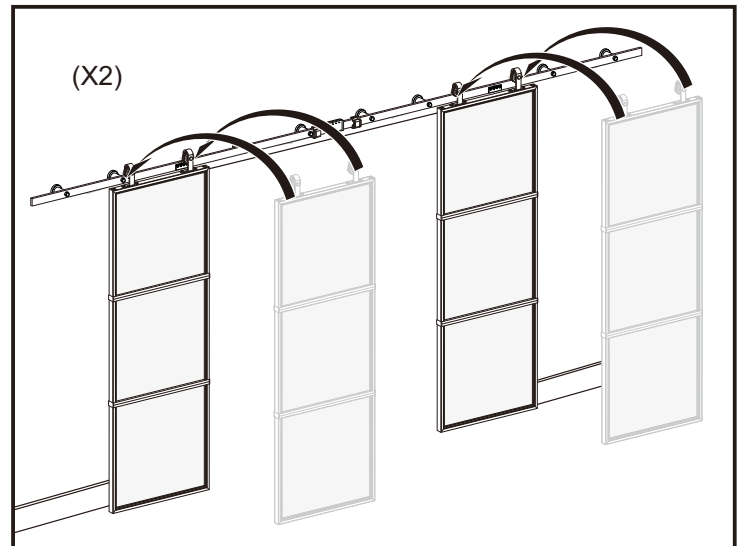
Step 7. Door Preparation – Strap Installation

Install the rollers on the reserved hole of the top of door by 15/64"x15/32" screw.



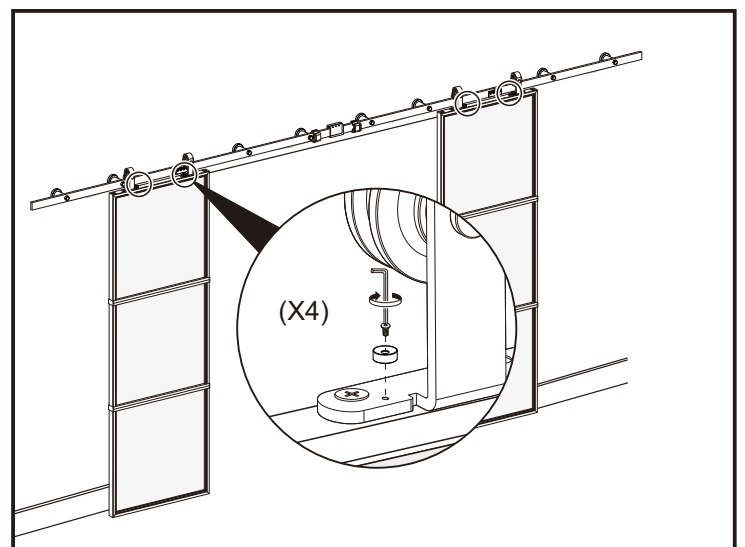
Step 8. Hanging the Door

Place the assembled door onto the secured rail and tighten



Step 9. Door Preparation - Anti-jump block Installation

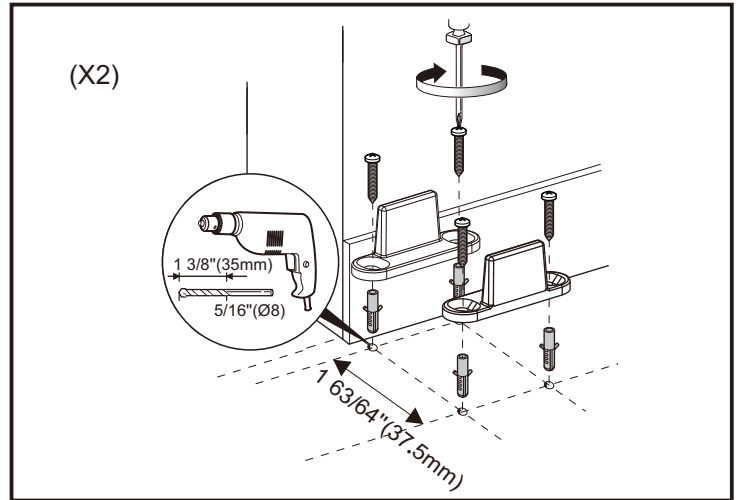
Install the anti-jump on the rollers by 5/32" x15/64" screw to protect the door from touching the rail when sliding the door.



BARN DOOR HARDWARE KIT
TSQ13BK-5FT+TKM02N-30IN-C
INSTALLATION GUIDE

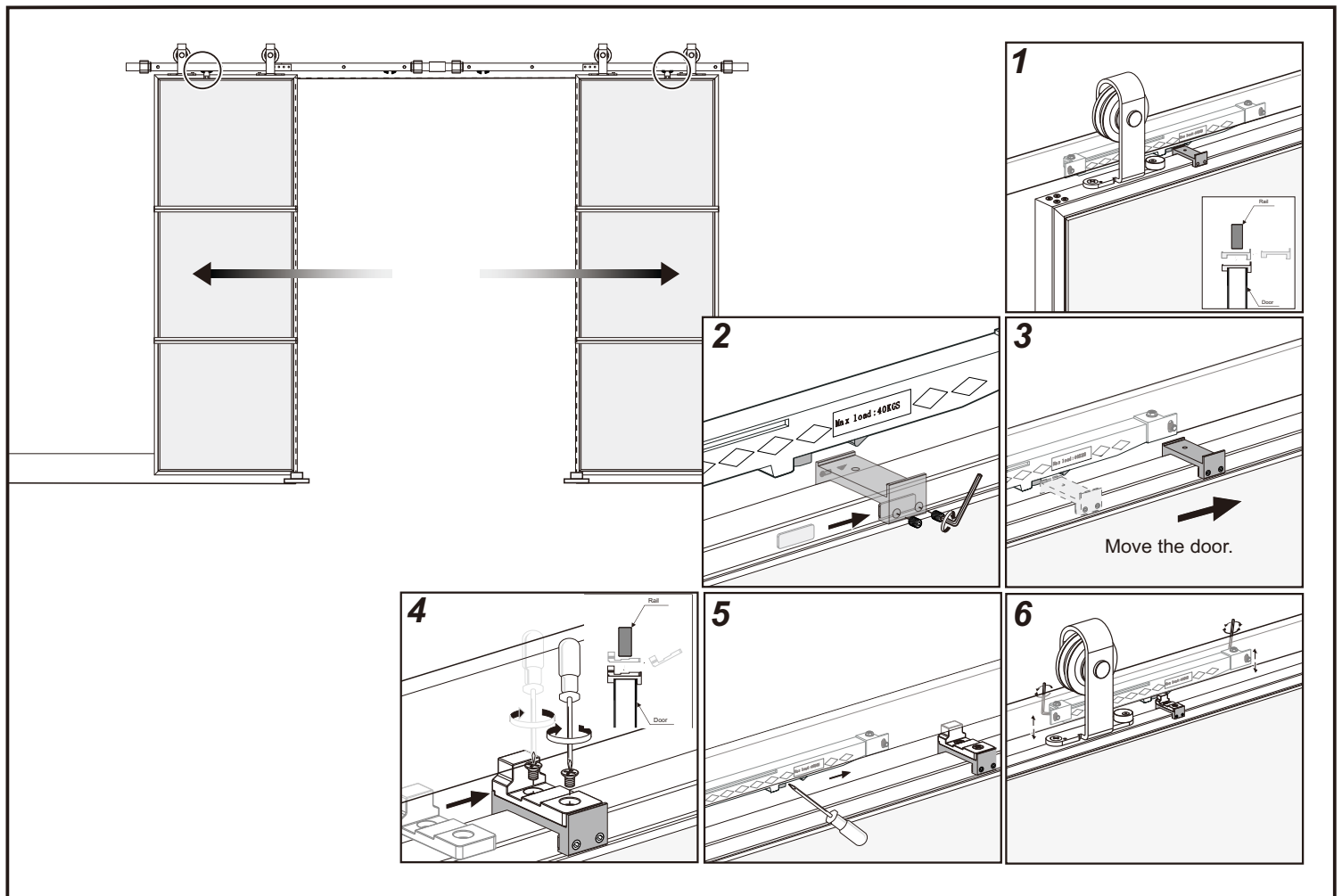
Step 10. Floor-Mounted Door Guide Installation

Once the door is plumb, position the floor-mounted door guide inside the mortised door, line up close to the opening. Slide the door side-to-side to ensure functionality for final placement then mark holes with a pencil and pre-drill 5/16" holes. If drilling directly into a concrete floor, use the provided anchors.



Step 11. Install right left close attachment

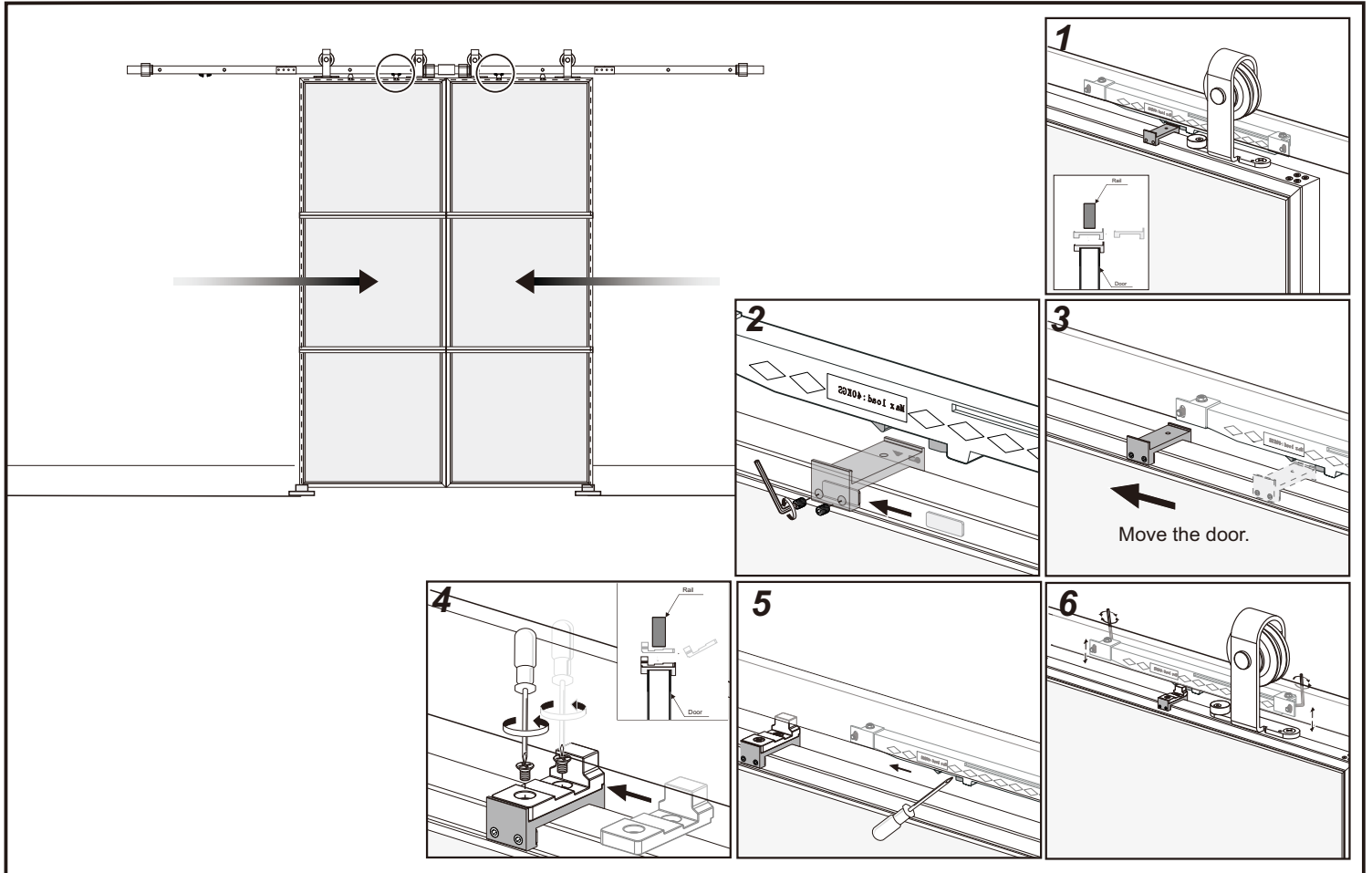
1. Push the door to the left, push it to the required position.
place the actuator connector in the middle of the actuator claw.
2. Insert the washers and tighten it with a wrench.
3. Push the door to the right and install the actuator on the connector.
4. Move the actuator claw to the right, adjust the actuator to a limited position.
adjust the height of the soft close, and make sure it works.



BARN DOOR HARDWARE KIT
TSQ13BK-5FT+TKM02N-30IN-C
INSTALLATION GUIDE

Step 12. Install right soft close attachment

1. Push the door to the right, push it to the required position.
place the actuator connector in the middle of the actuator claw.
2. Insert the washers and tighten it with a wrench.
3. Push the door to the left and install the actuator on the connector.
4. Move the actuator claw to the left, adjust the actuator to a limited position.
adjust the height of the soft close, and make sure it works.



Step 13. Stopper Installation

Slide the door closed and to correct position of both stoppers. Using the provided Allen key, tighten into position to complete the installation of the Barn Door Kit.

