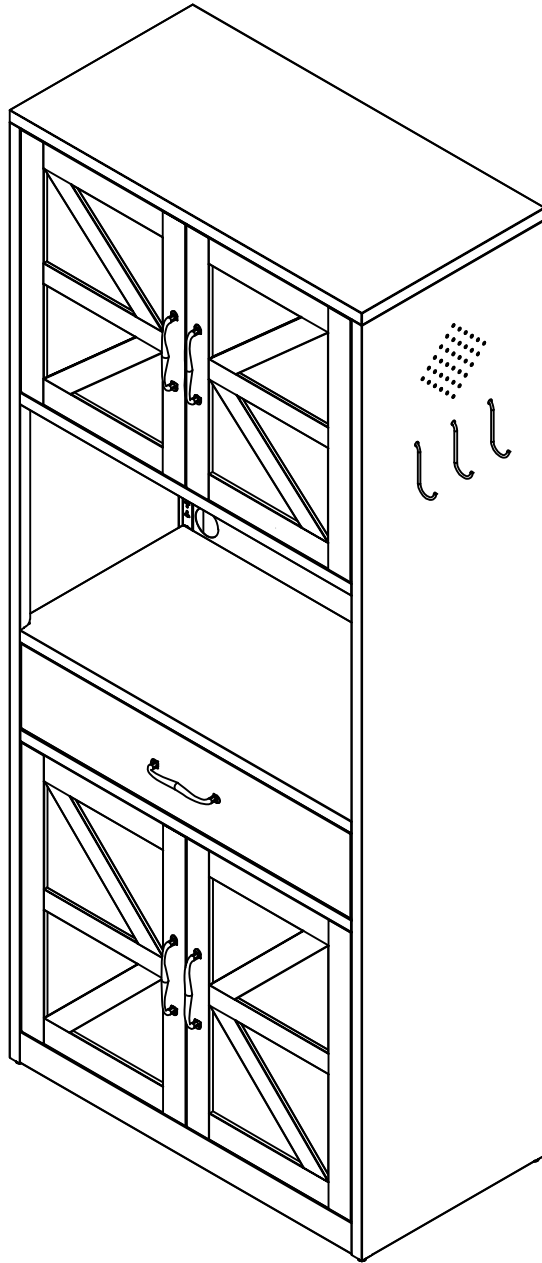
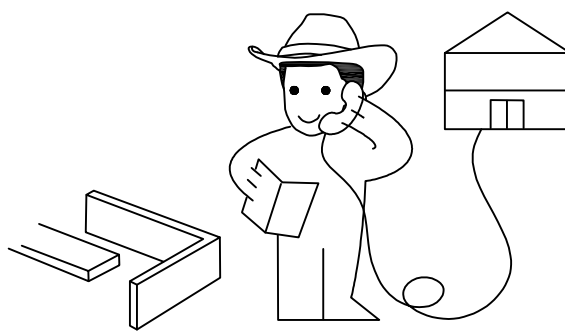
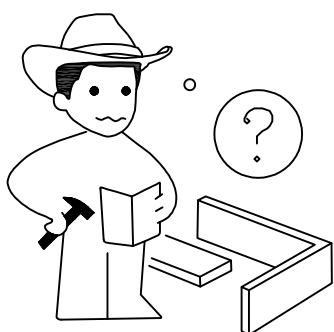
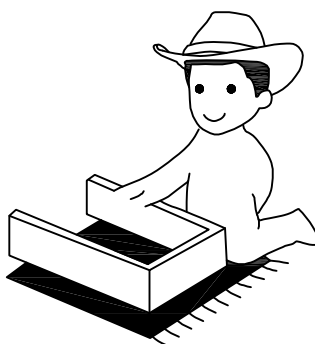
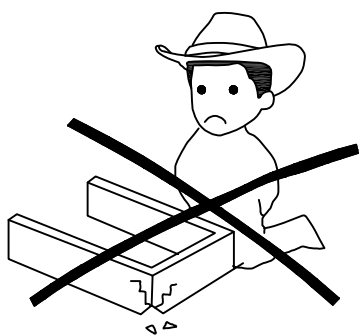
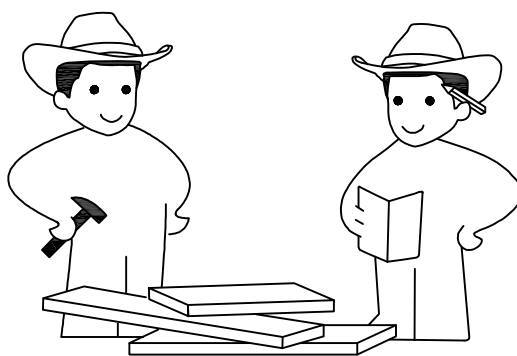
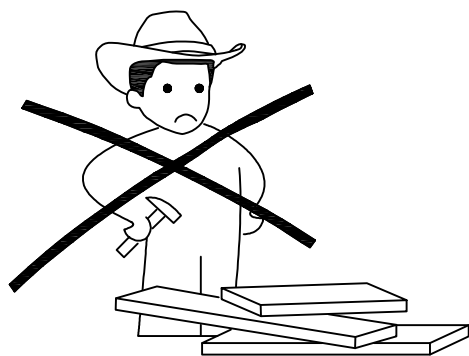
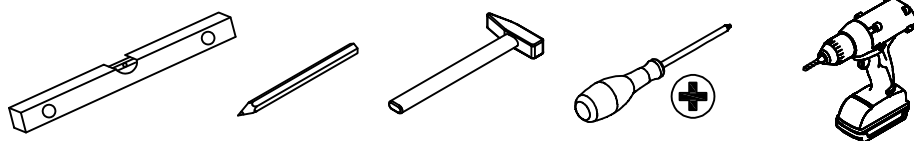
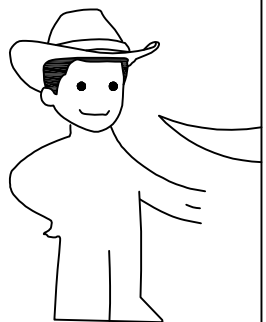
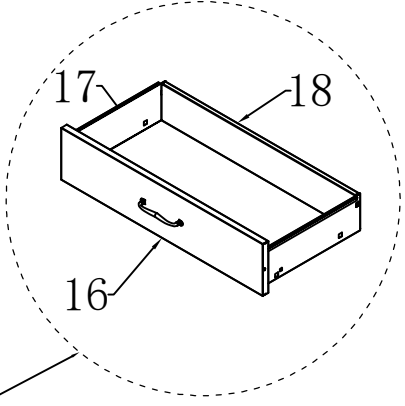
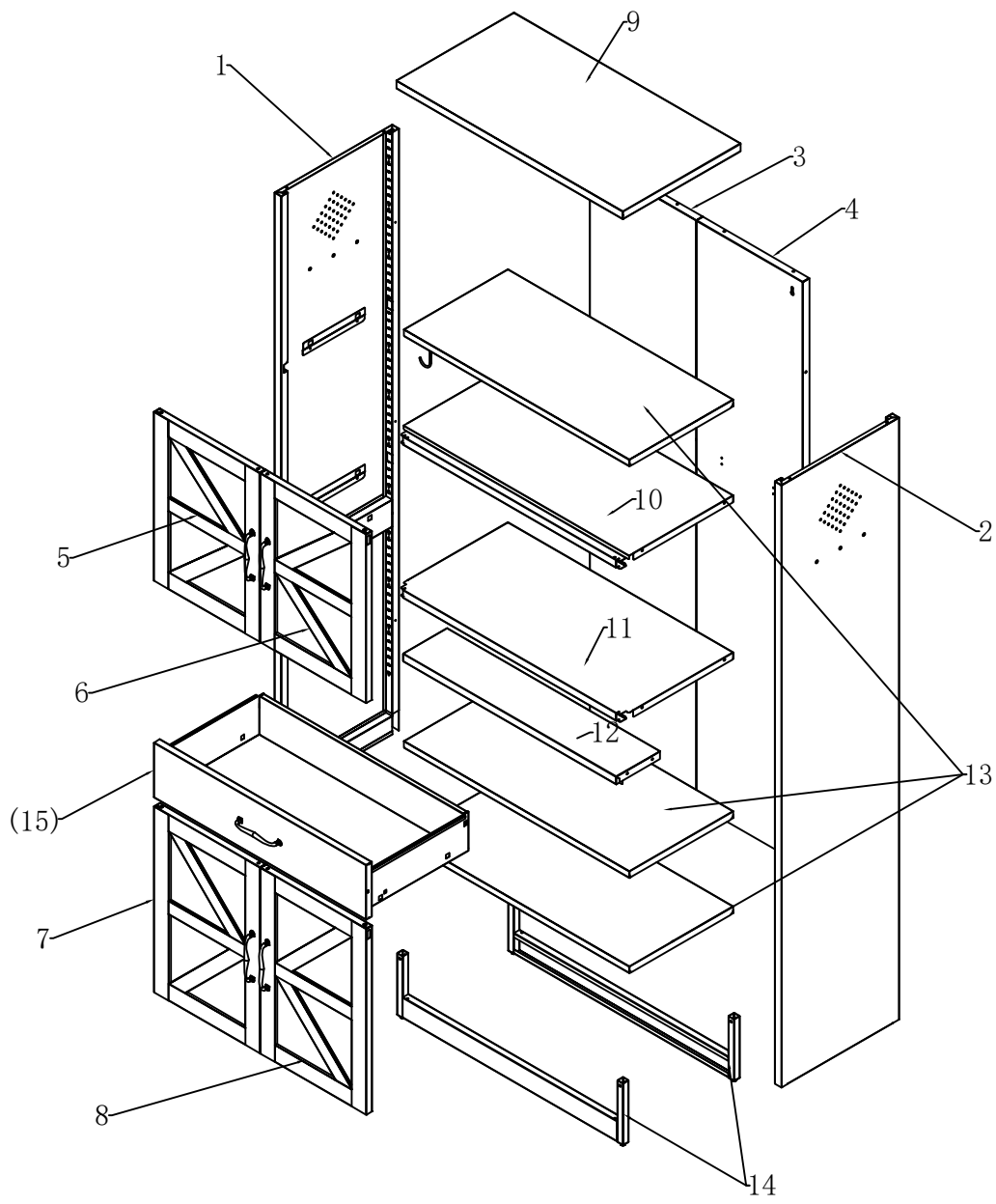


Installation & Assembly

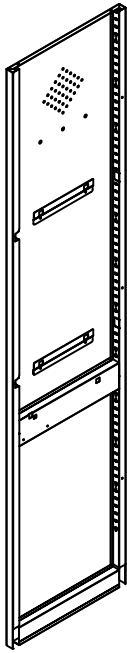




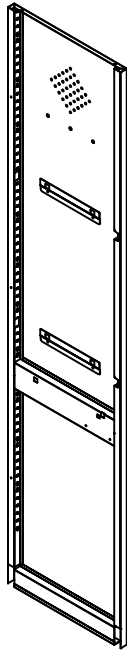


(15)

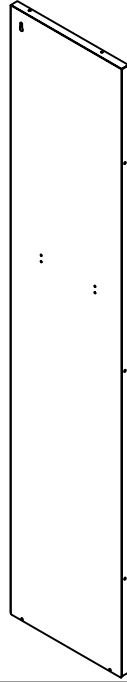
1×
1*pc



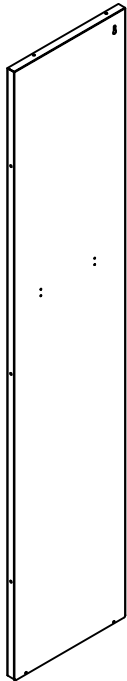
2×
1*pc



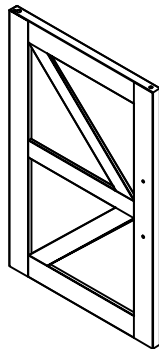
3×
1*pc



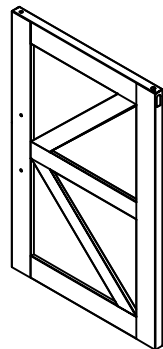
4×
1*pc



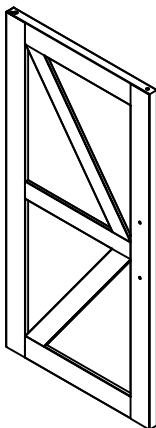
5×
1*pc



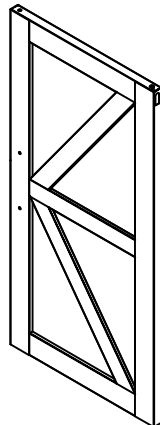
6×
1*pc



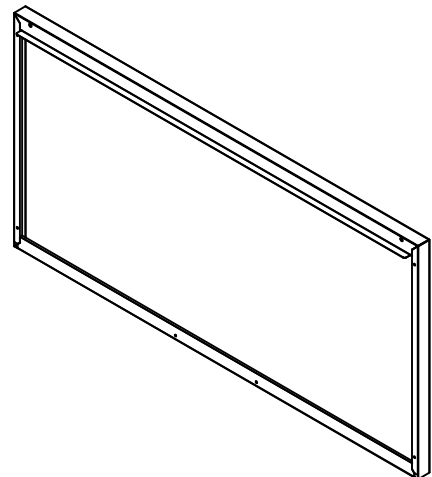
7×
1*pc

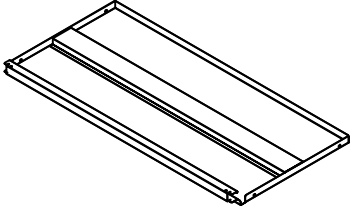
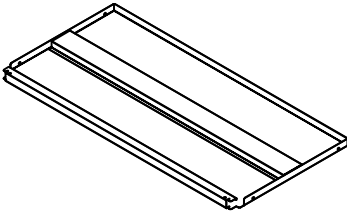
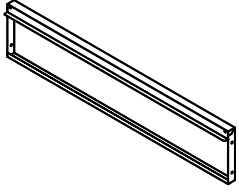
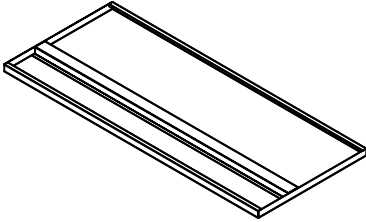
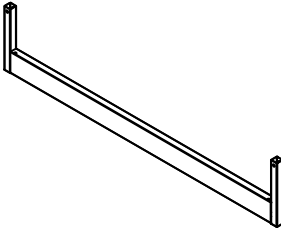
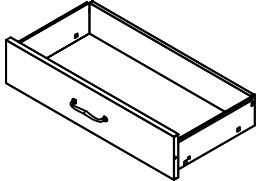
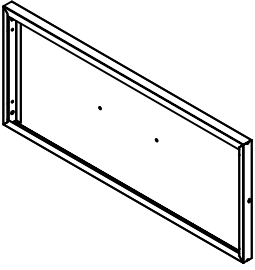
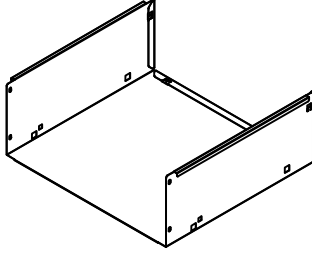
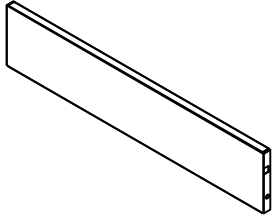

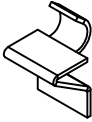




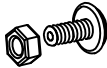







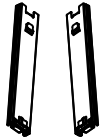



8×
1*pc

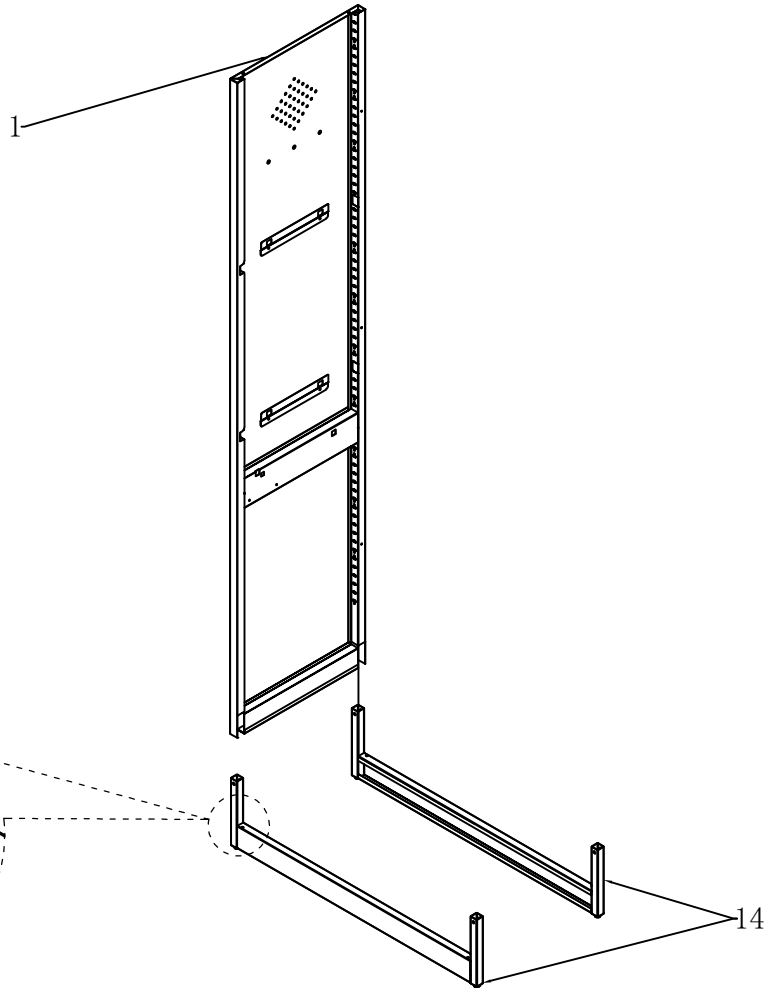


9×
1*pc

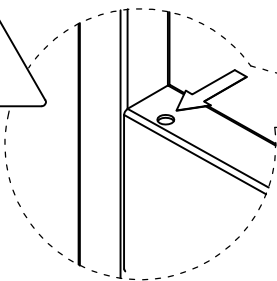


<p>10× 1*pc</p> 		<p>11× 1*pc</p> 		<p>12× 1*pc</p> 			
<p>13× 3*pcs</p> 		<p>14× 2*pcs</p> 		<p>(15) × 1*pc</p> 			
<p>16× 1*pc</p> 		<p>17× 1*pc</p> 		<p>18× 1*pc</p> 			
A × 5*pcs	B × 8*pcs	C × 4*pcs	D × 14*pcs	E × 34*pcs	F × 8*pcs	G × 3*pcs	H × 2*pcs
				M4 × 10 	M4 × 22 		M4 × 5 
I × 4*pcs	J × 3*pcs	K × 2*pcs	L × 2*pcs	M × 1*pcs	N × 2*pcs		
							

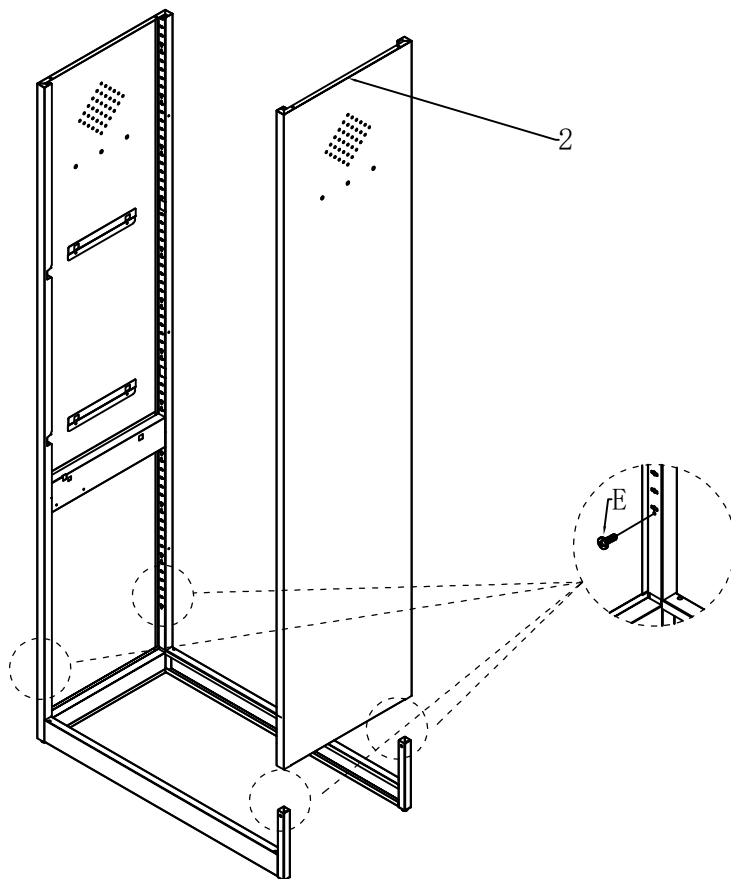
1



The hole must be facing outward.

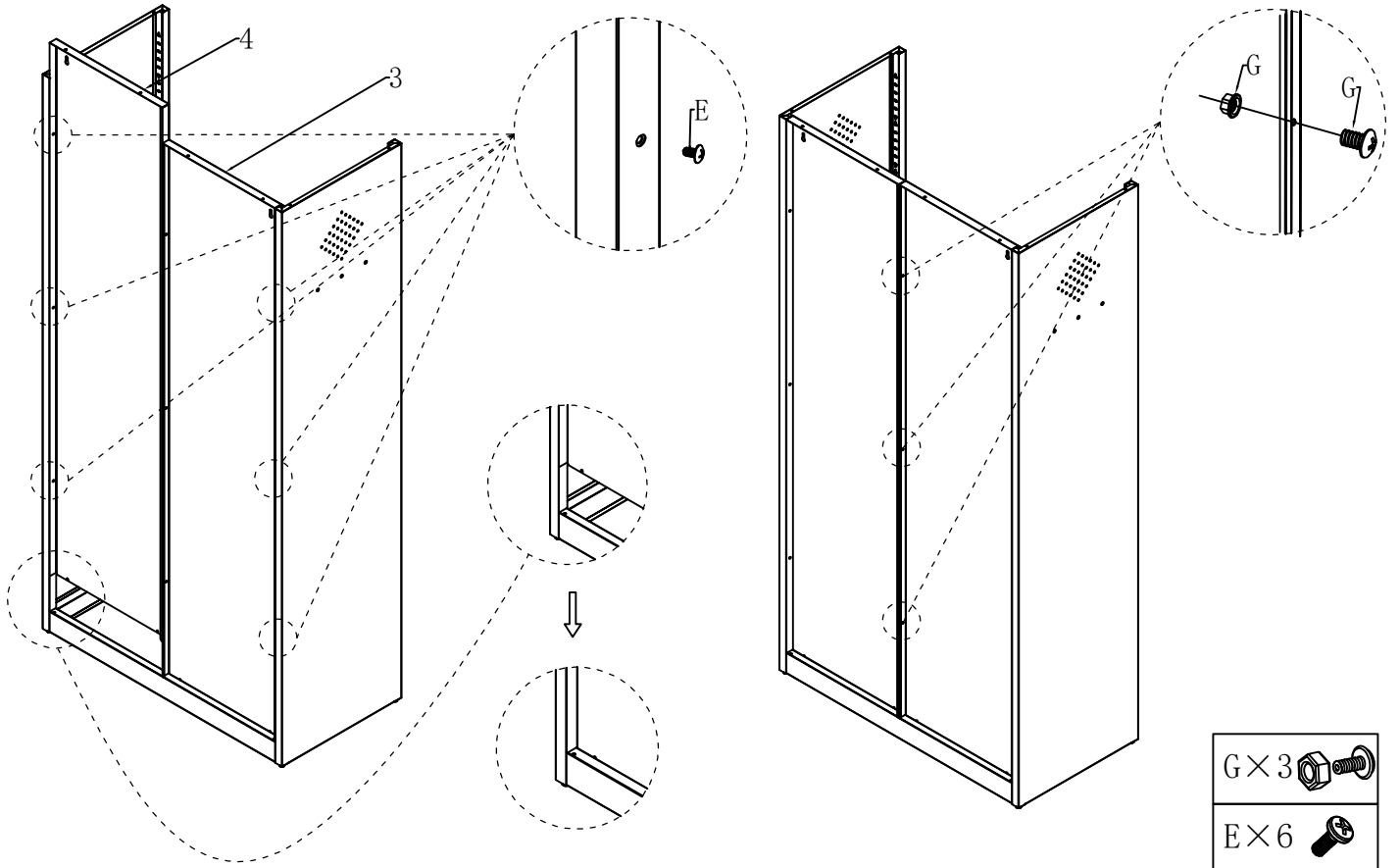


2

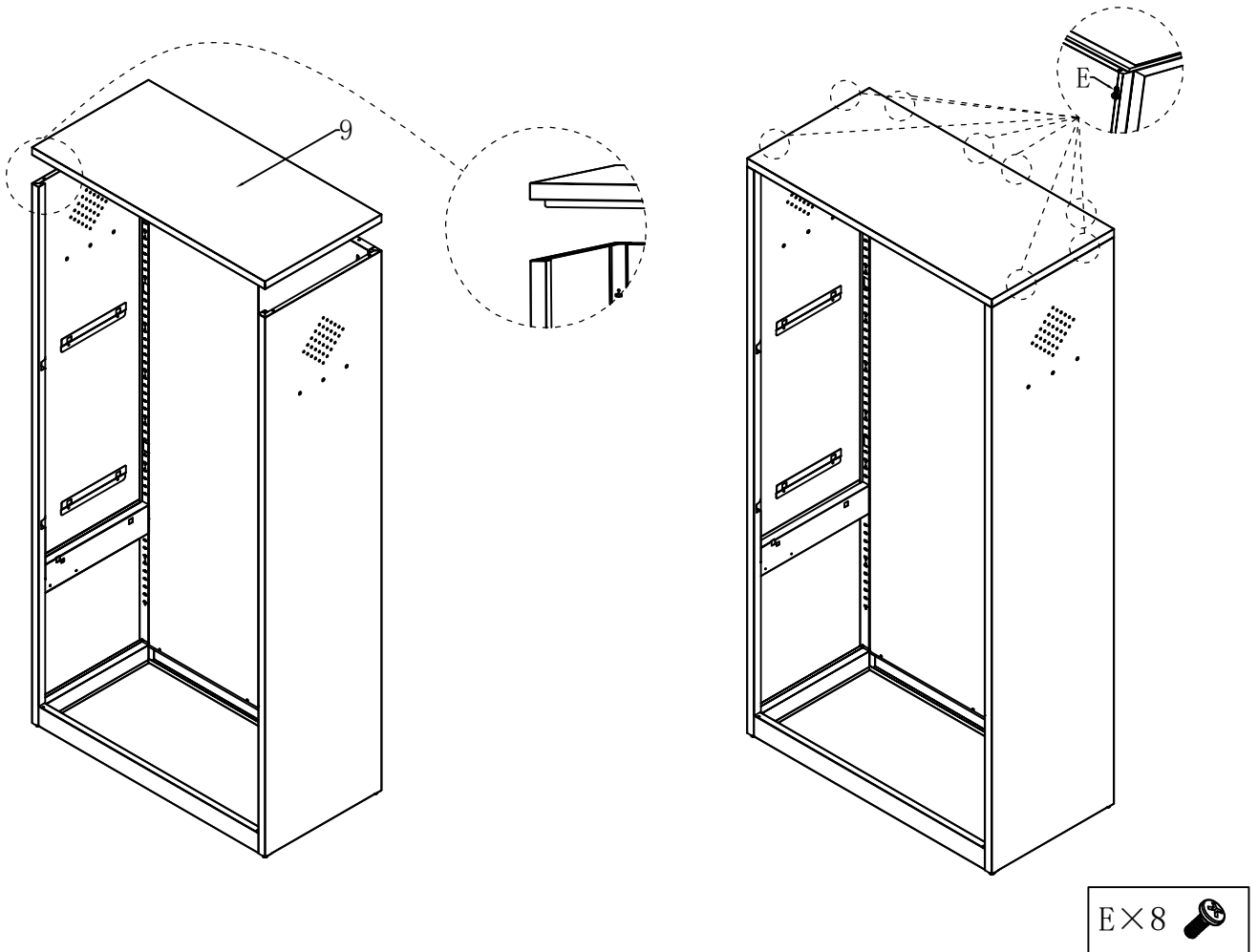


E × 4 

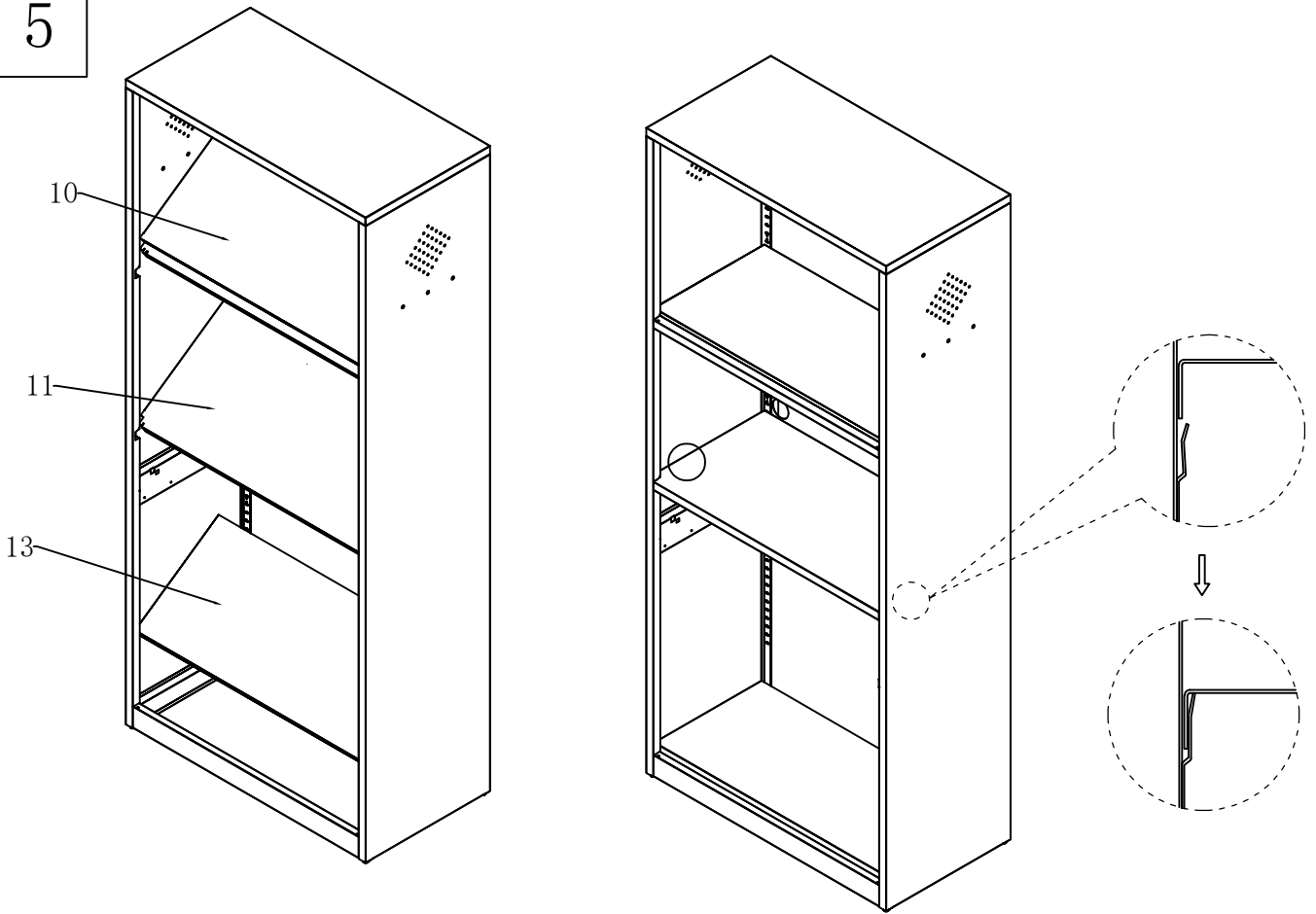
3



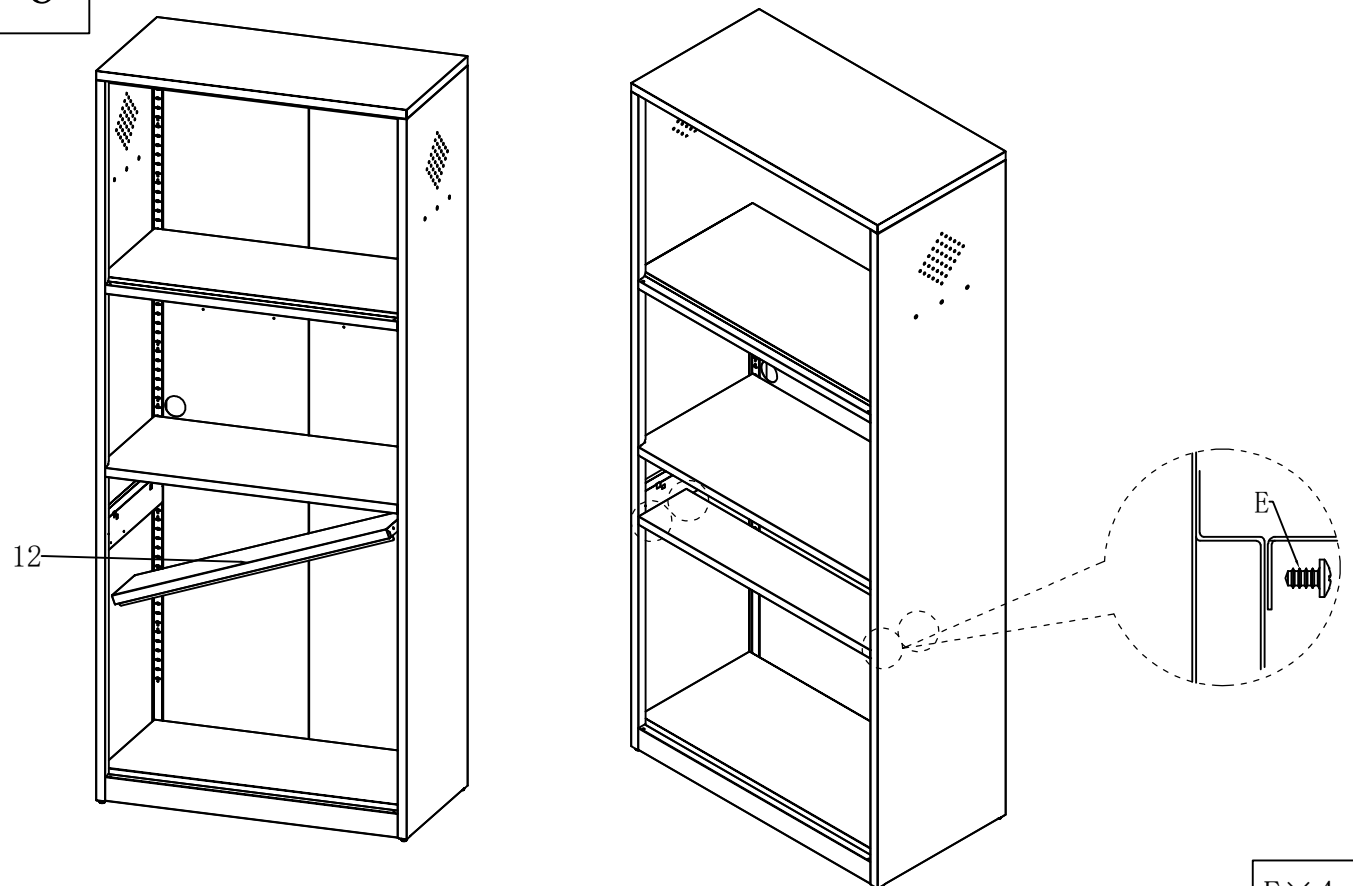
4



5

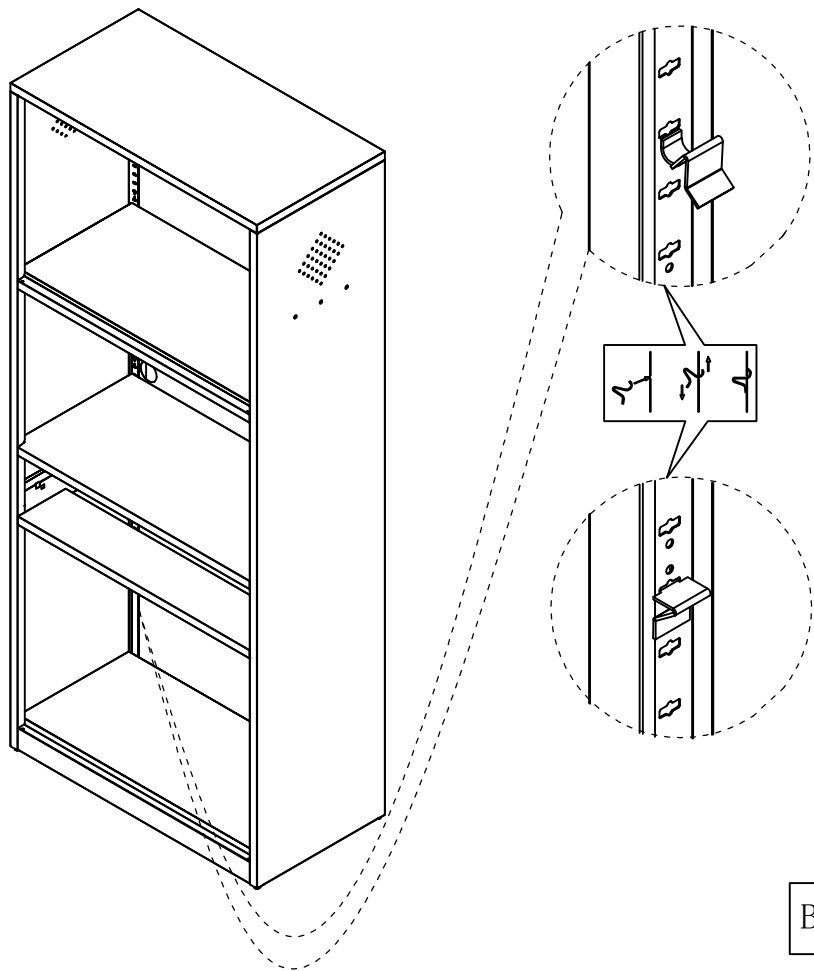



6



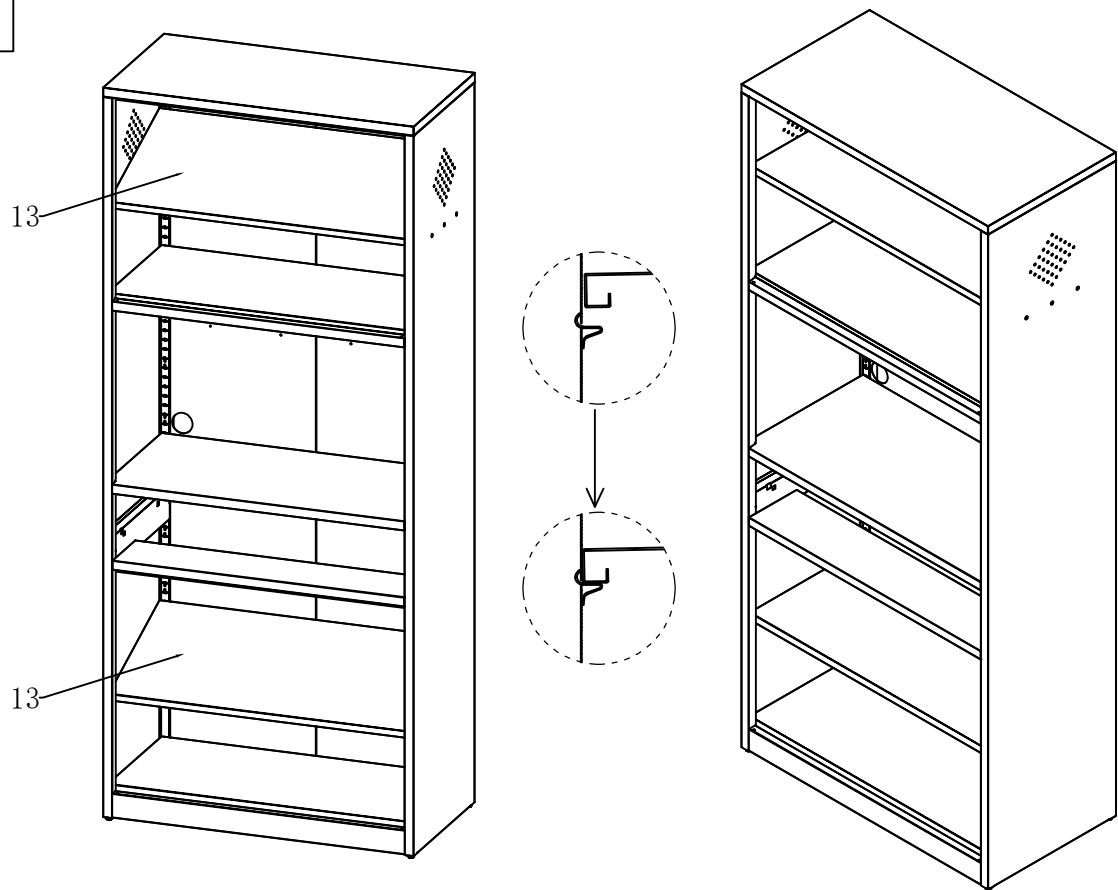
E × 4 

7

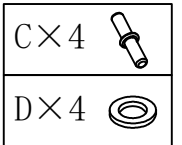
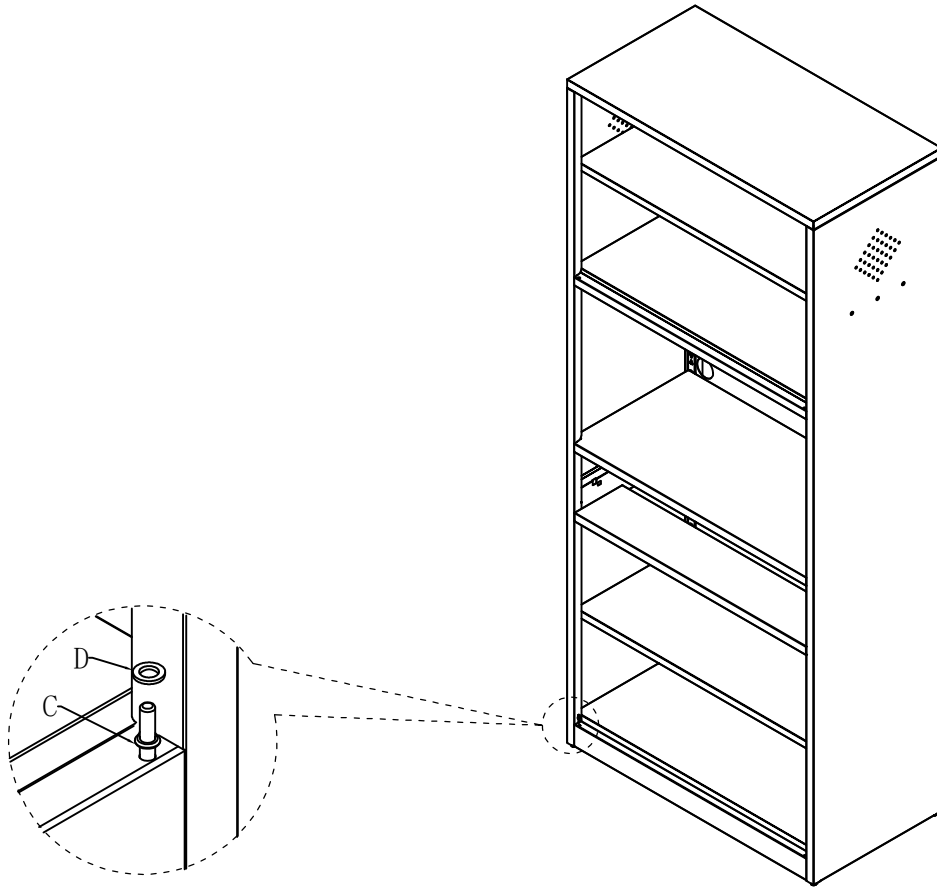


B×8 

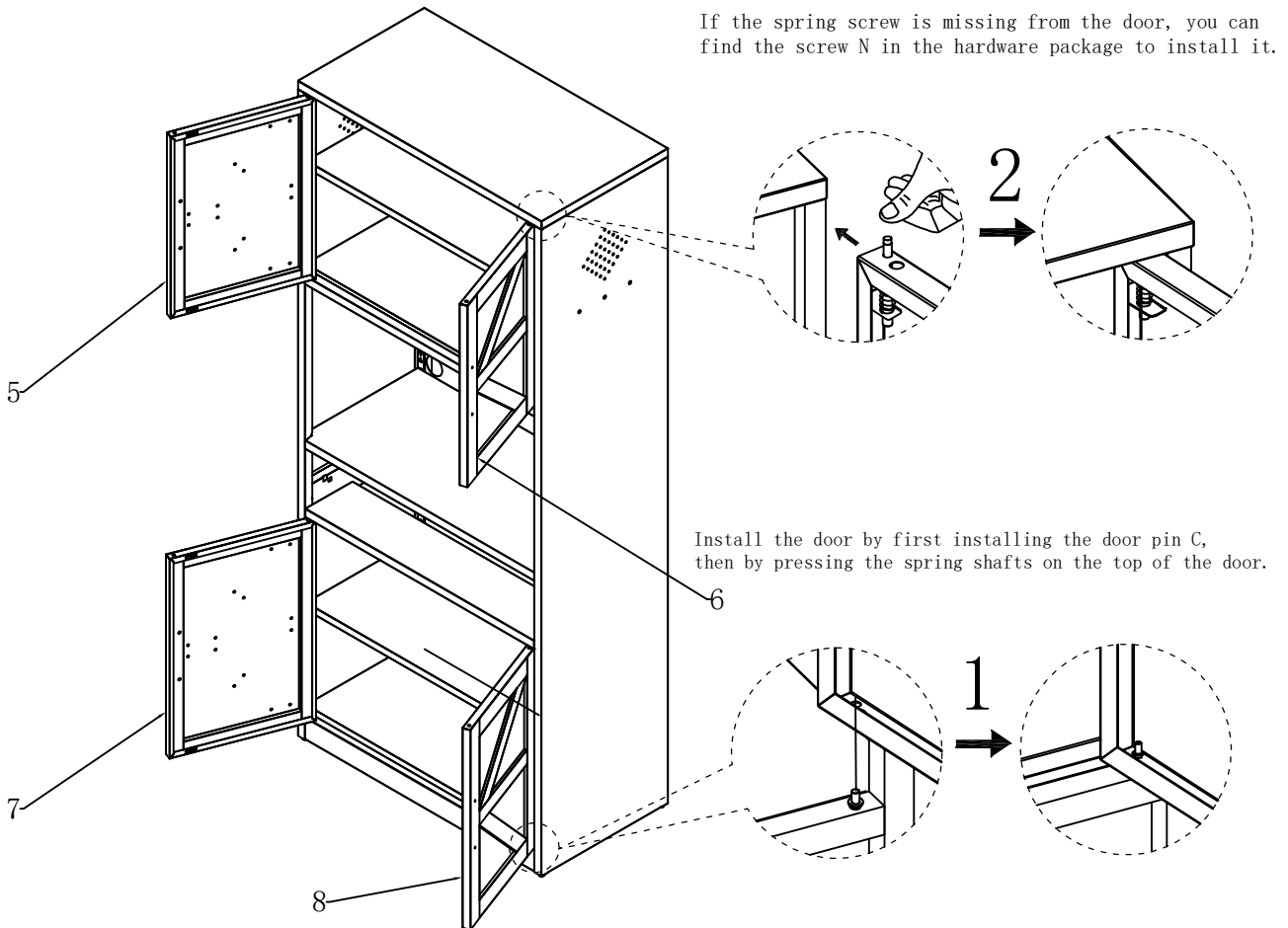
8



9



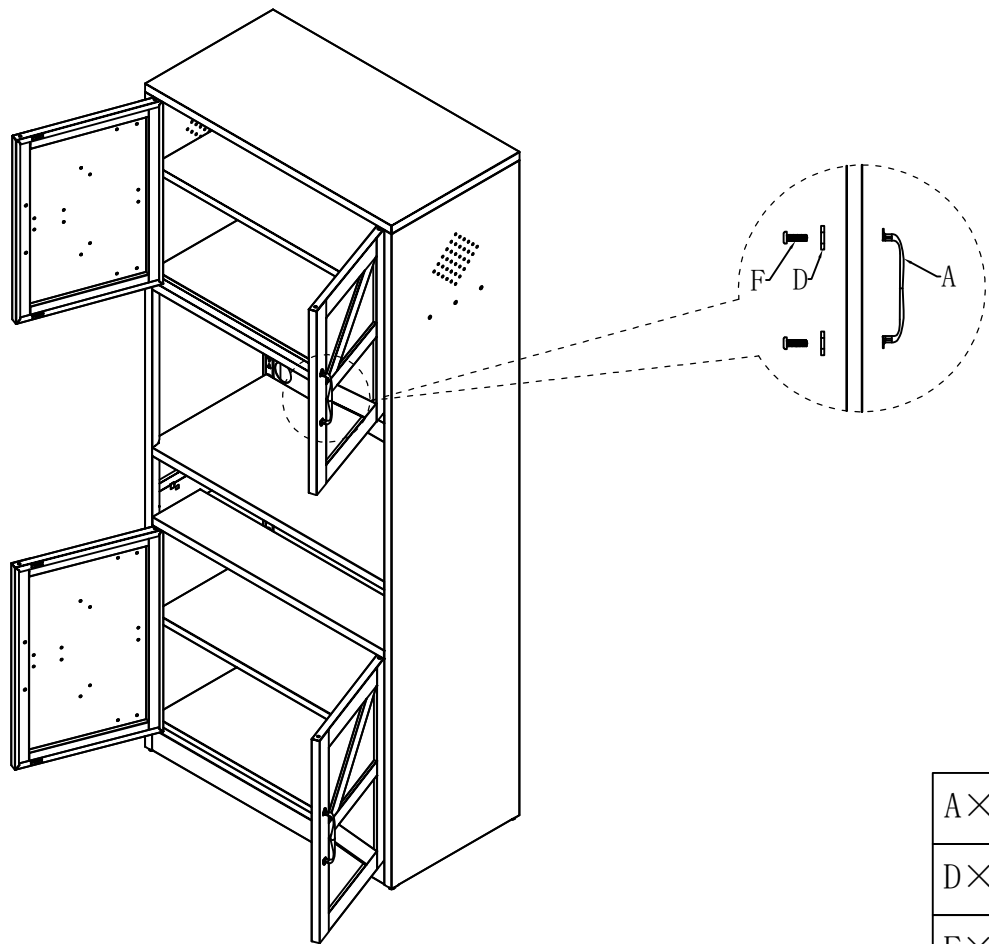
10



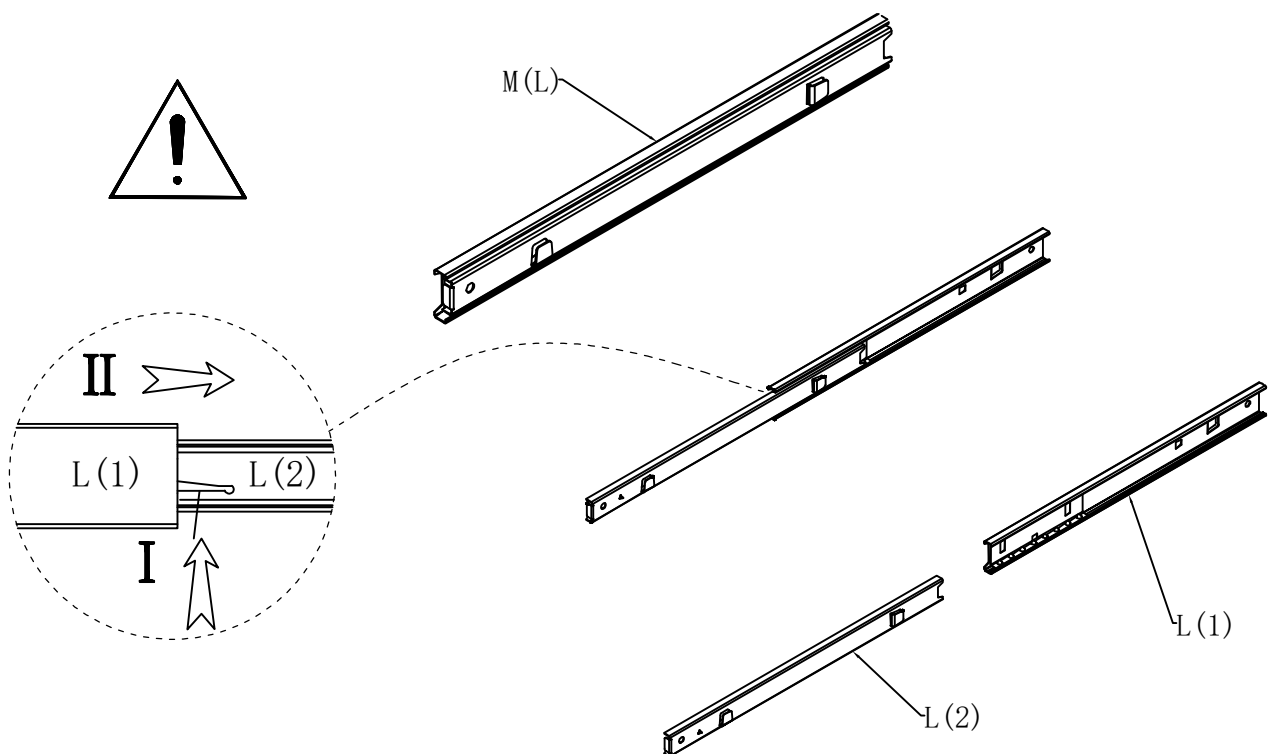
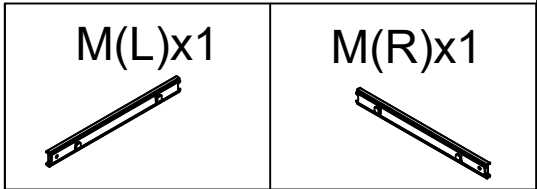
If the spring screw is missing from the door, you can find the screw N in the hardware package to install it.

Install the door by first installing the door pin C, then by pressing the spring shafts on the top of the door.

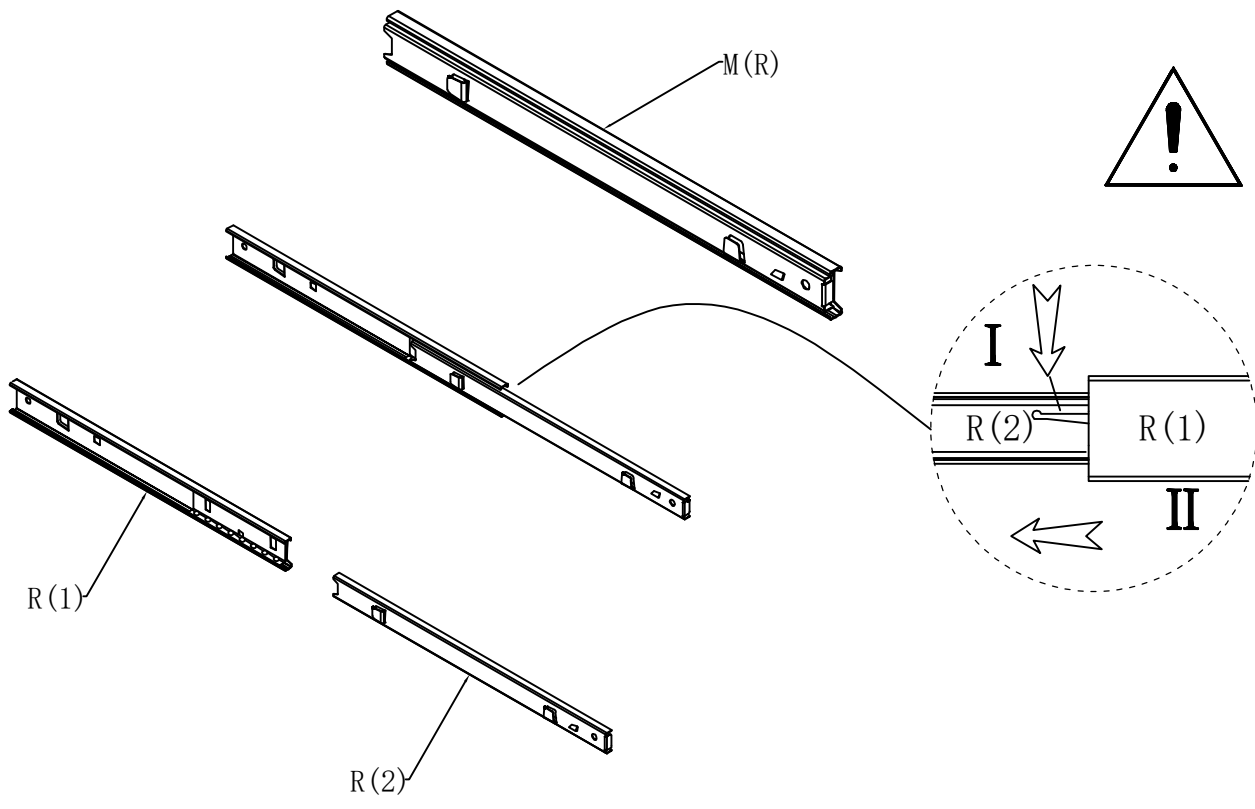
11



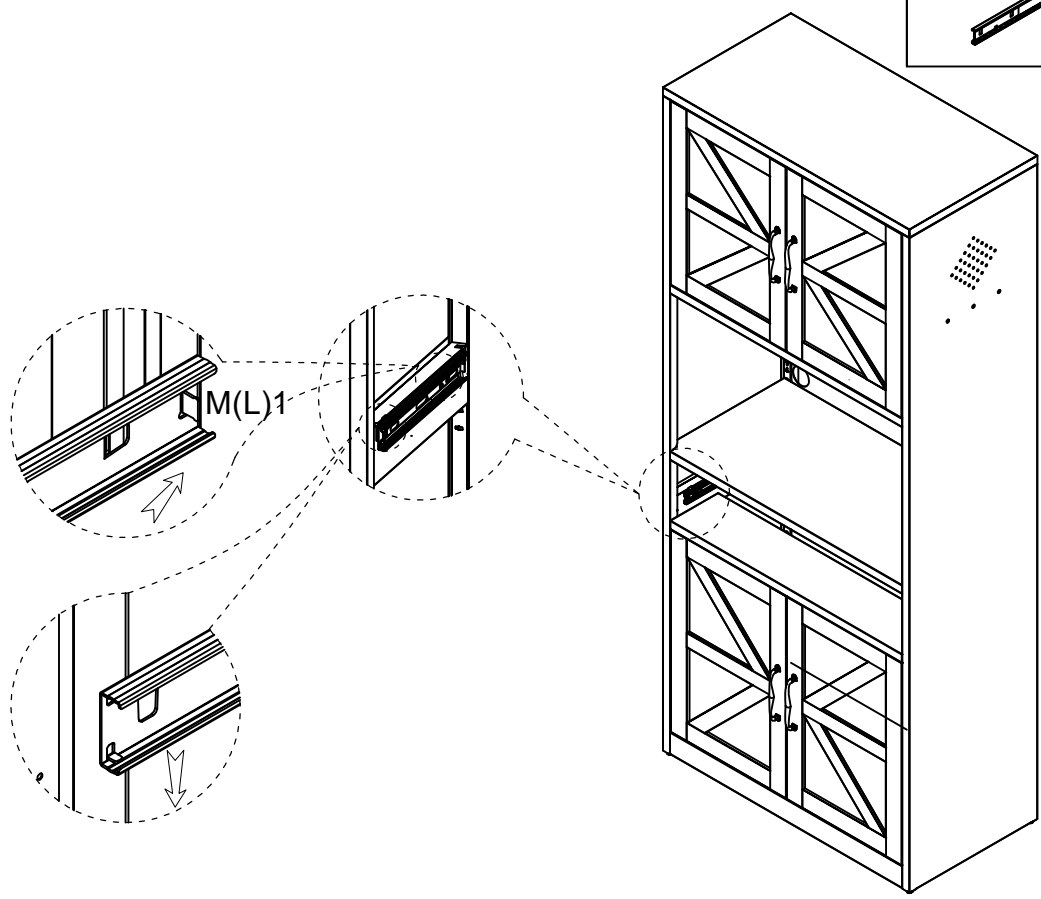
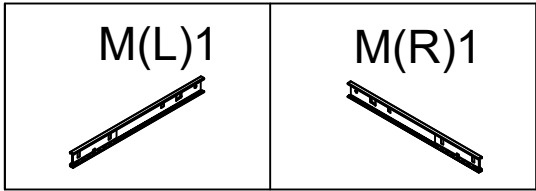
12



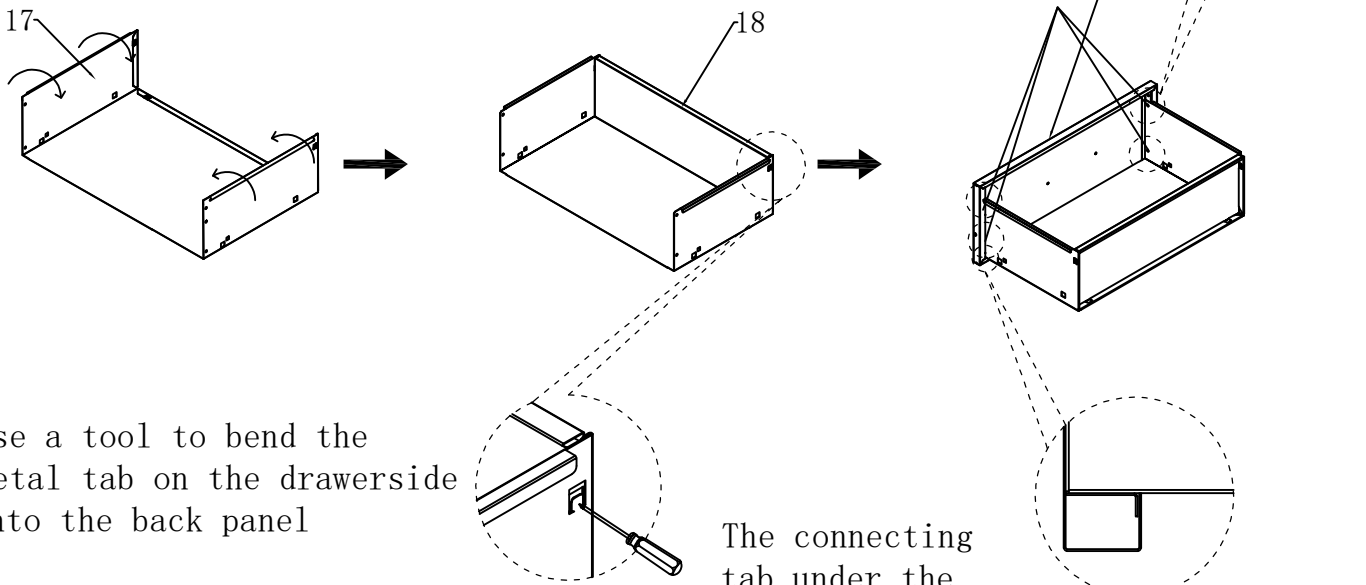
13



14



15

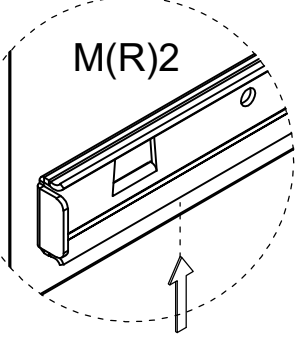
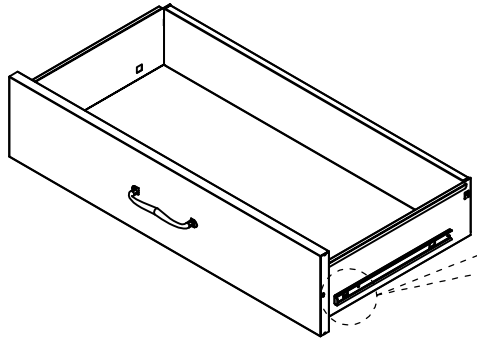
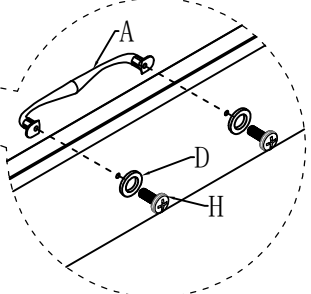
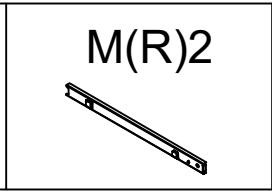
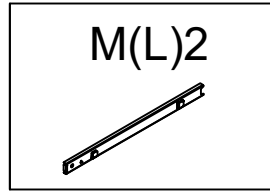
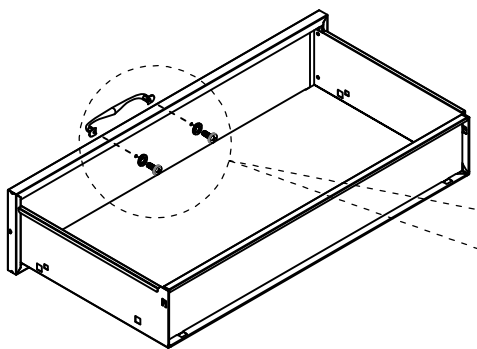






Use a tool to bend the metal tab on the drawerside into the back panel

The connecting tab under the drawer side clips into the inside of the drawer front.

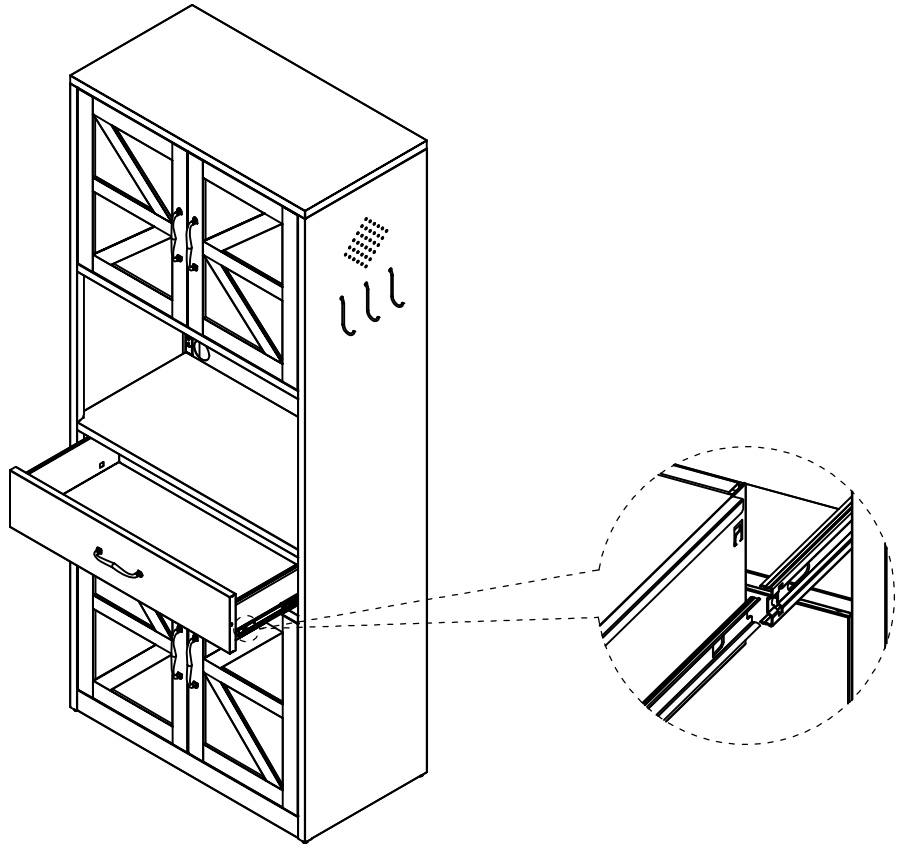
E × 4 

16

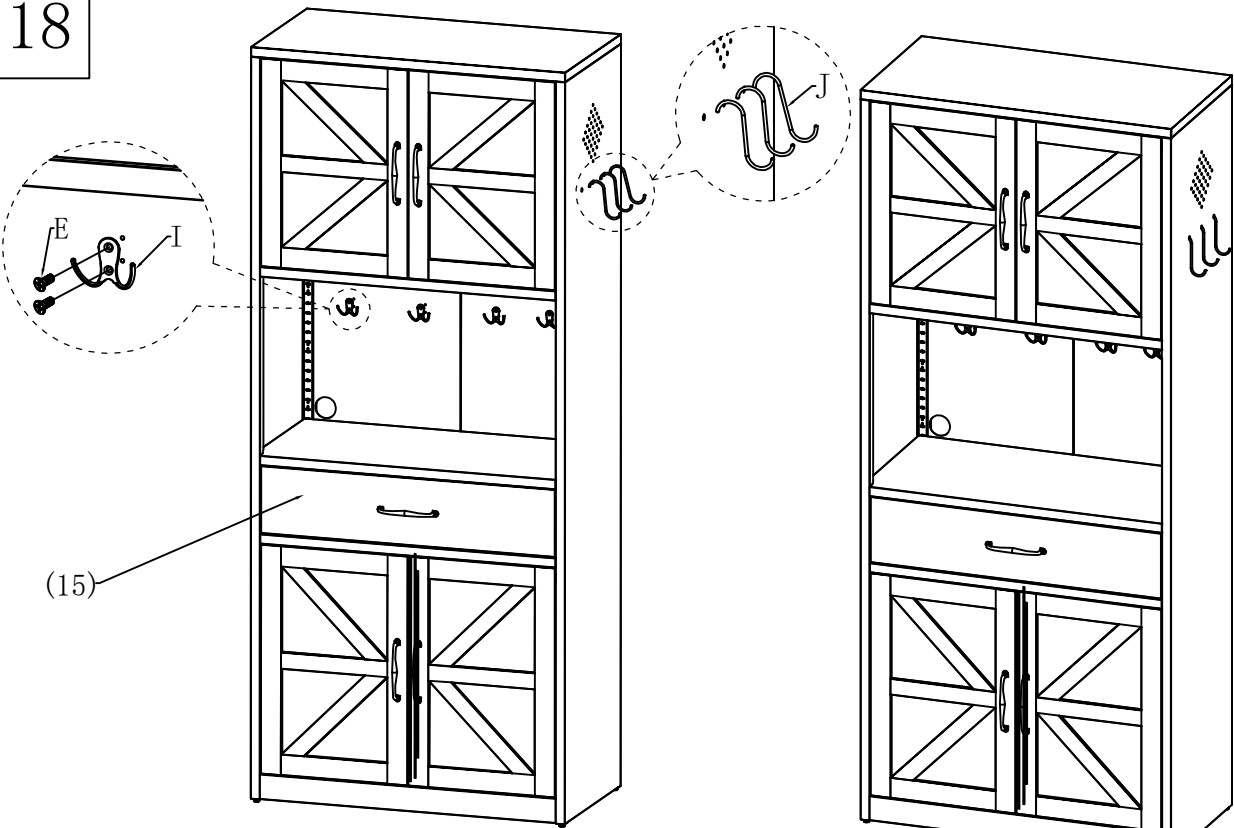





A × 1	
D × 2	
H × 2	
M × 1	

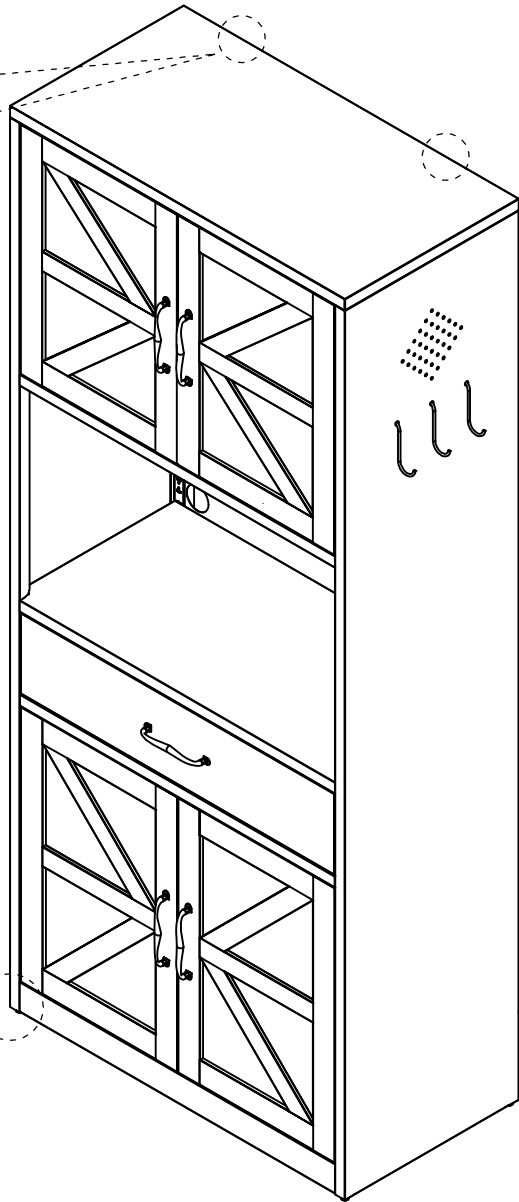
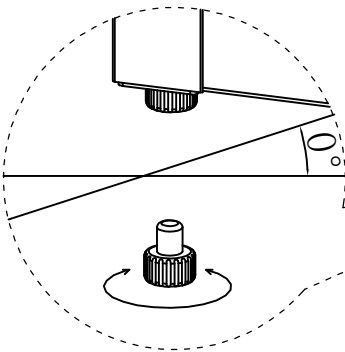
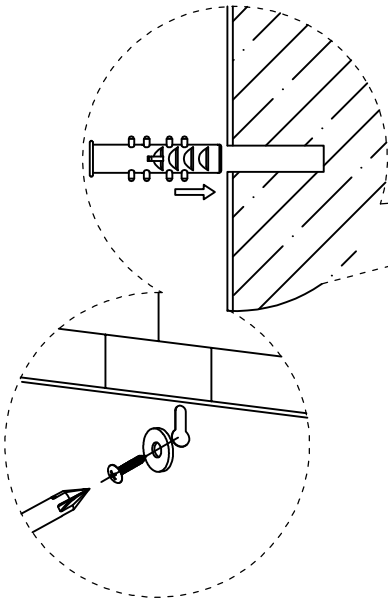
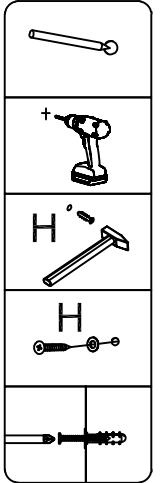
17



18



E×8	
I×4	
J×3	



If the ground is uneven, it can be adjusted by rotating the screw .
This will fix the situation where the door is not easily opened or closed.

