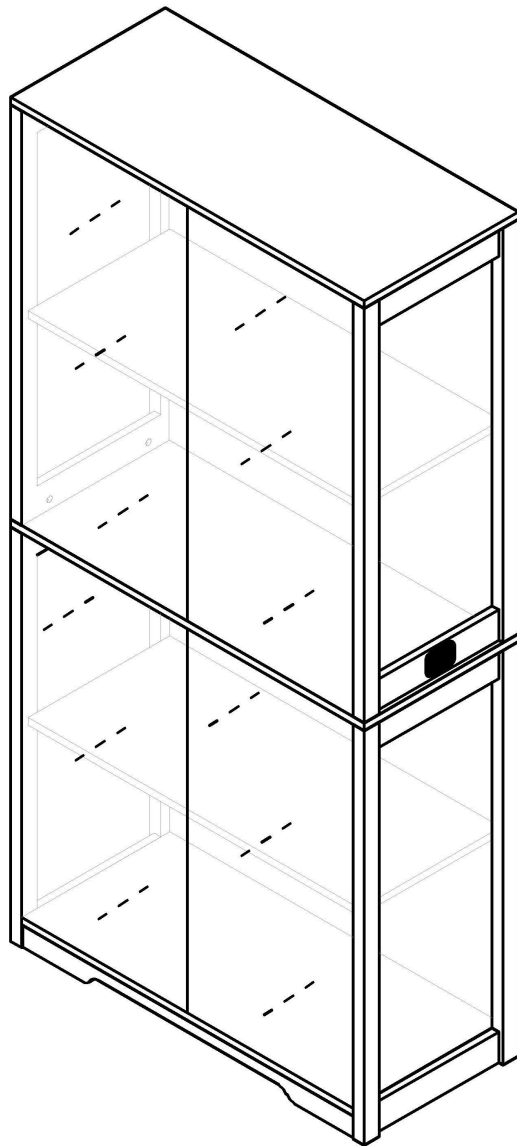
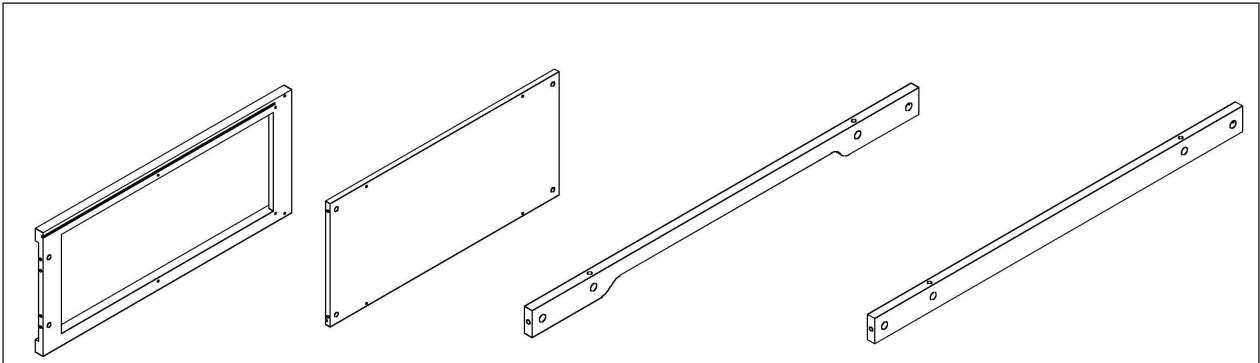


Product Installation Instructions



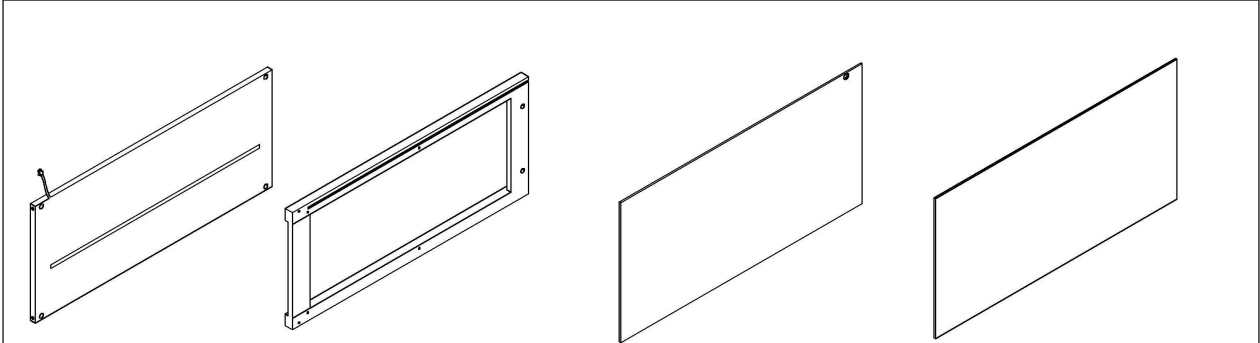


Ax1

Bx1

Cx1

Dx1

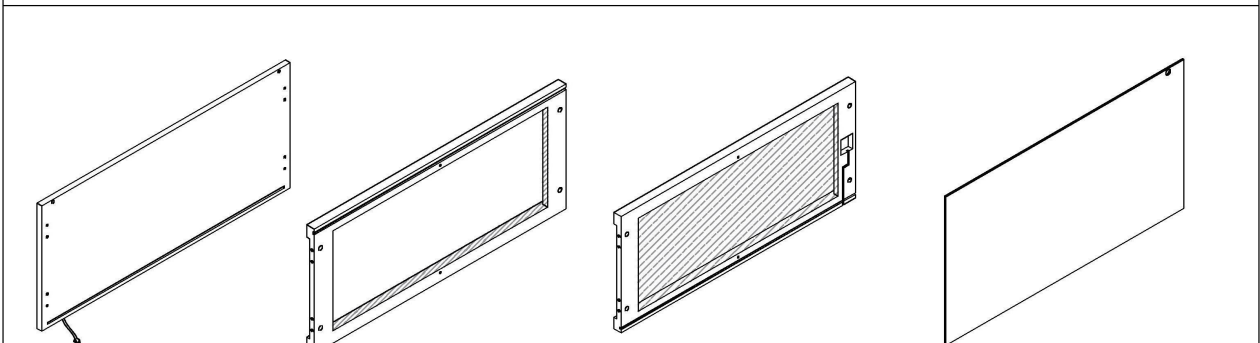


Ex2

Fx1

Gx1

Hx1

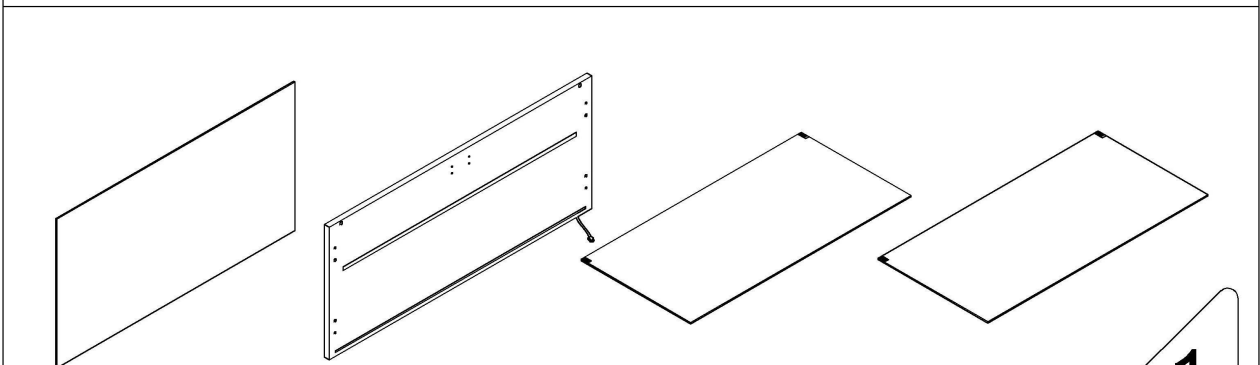


Ix1

Jx1

Kx1

Lx1



Mx1

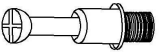



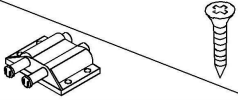
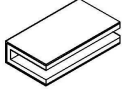


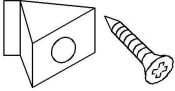

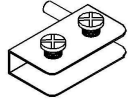
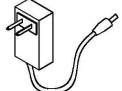
Nx1

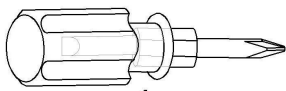
Ox2

Px2

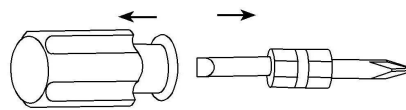


Accessories list

①		Two in one screw (6x28mm)	32pcs +4pcs
②		Two in one nut (10x12mm)	32pcs +4pcs
③		Wood chipping (6x30mm)	12pcs +4pcs
④		Non-slip pads	6pcs +2pcs
⑤		Rebound device & Screw (3x16mm)	8pcs +2pcs 2pcs
		Iron sheet	4pcs
⑥		Double end connecting line	2pcs
⑦		Wire clamp	2pcs +2pcs
⑧		Fixing clip & screw (3x16mm)	8pcs +4pcs
⑨		Foot nail	4pcs +2pcs
⑩		Hinge	8pcs
		AC/DC Adapter (12V==3.0A)	1pcs



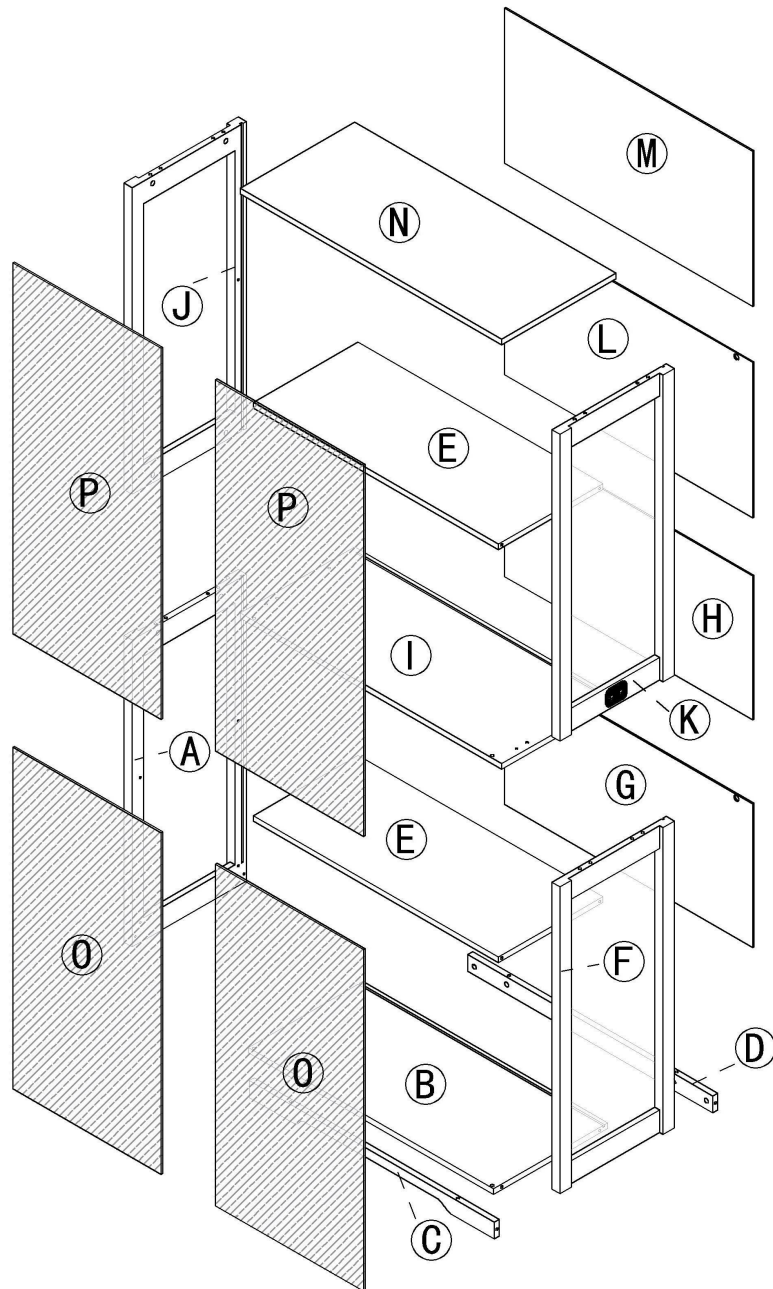
1pcs

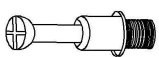

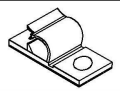

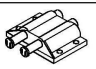

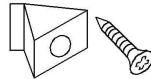






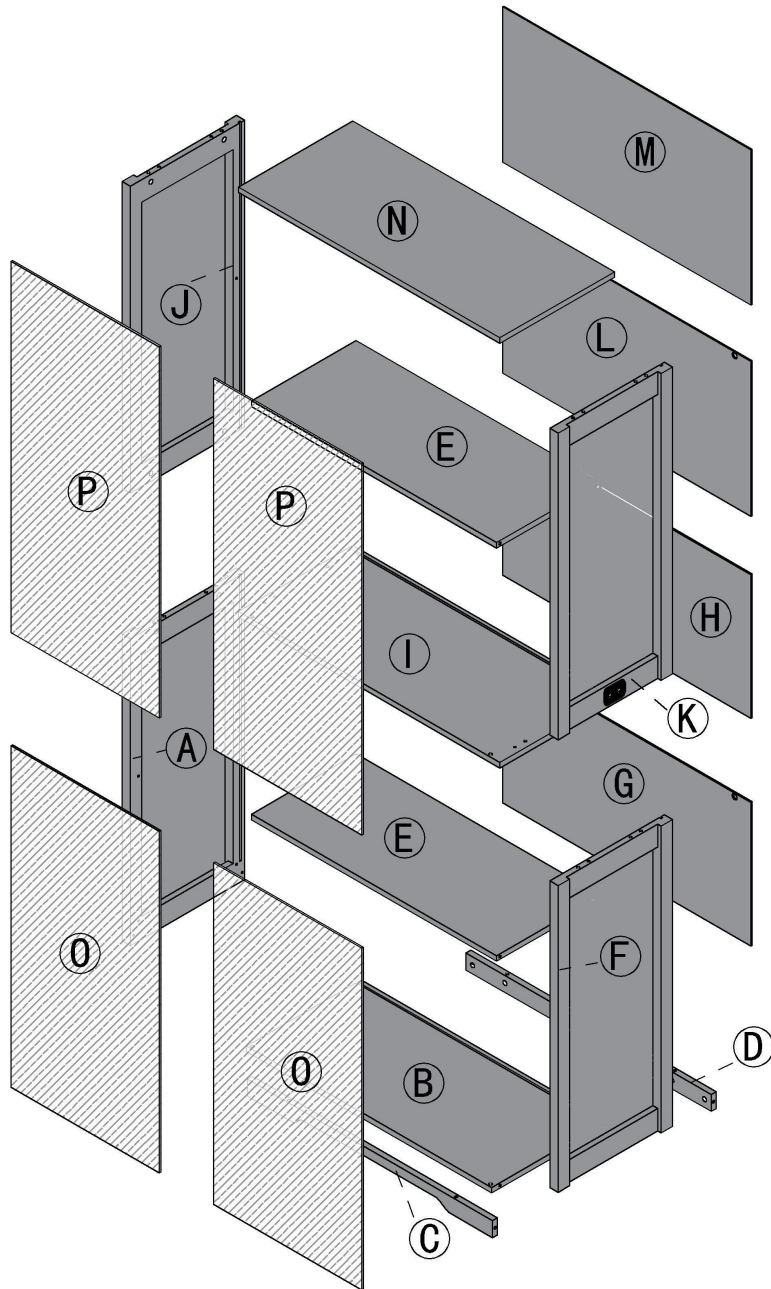
Double-head screwdriver, use as required

2

Product structure decomposition

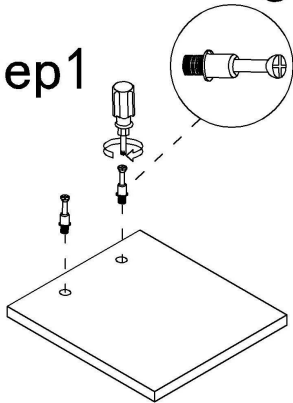


①		32pcs	④		6pcs	⑦		2pcs
②		32pcs	⑤	 2pcs	 8pcs	⑧	 	8pcs
③		12pcs	⑥		2pcs	⑨		4pcs

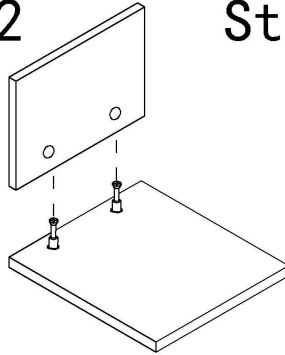


Use parts ① and ②

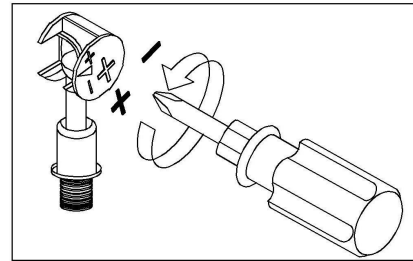
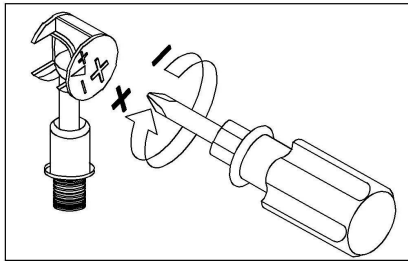
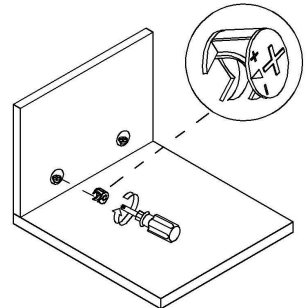
Step1



Step2



Step3

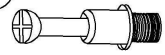


Use a screwdriver to lock in the direction of the "+" sign

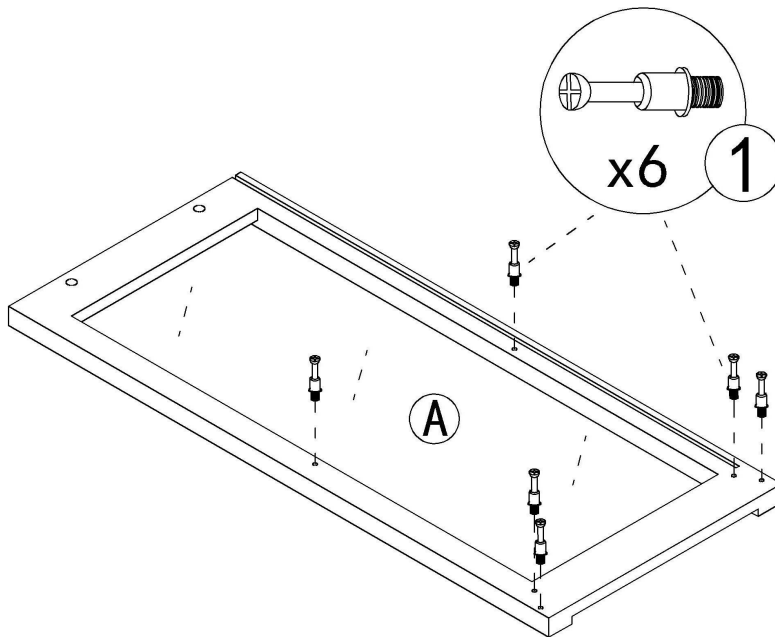
Disassemble along the direction of "-" sign

Step 1

①

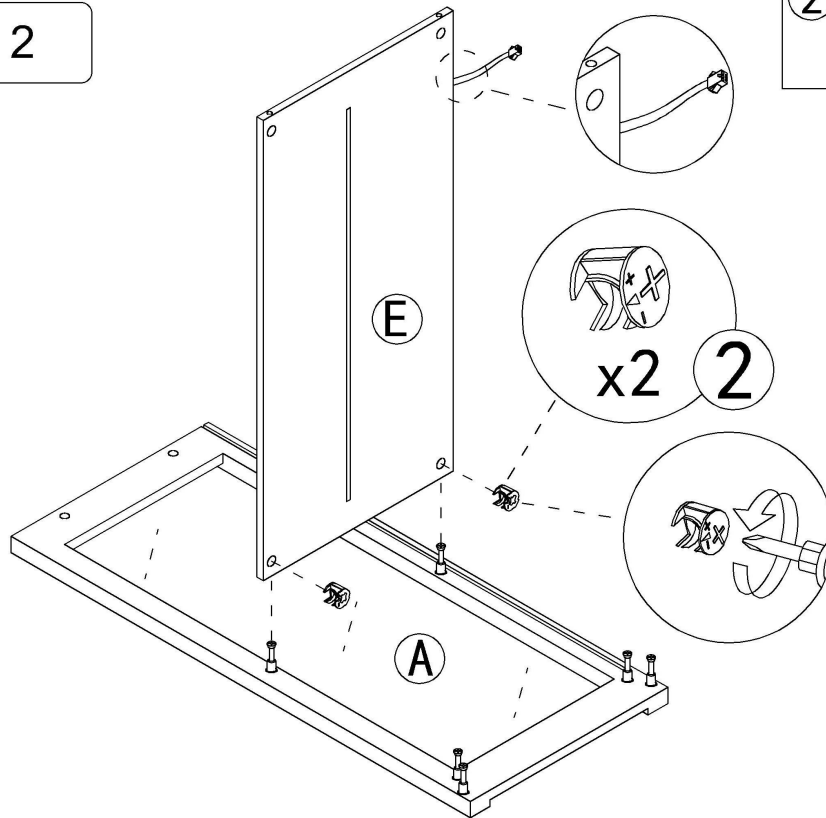


x6



5

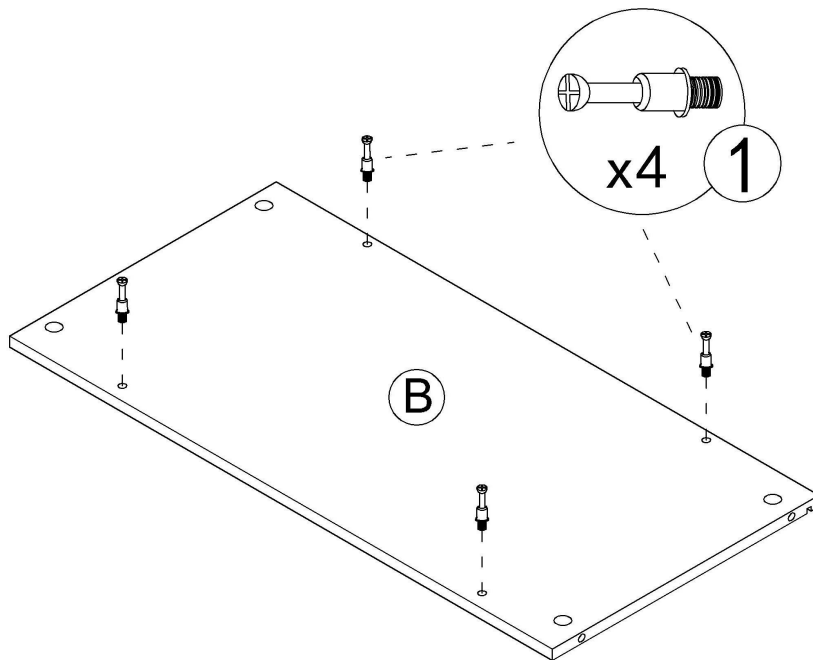
Step 2



2 x2

x2 2

Step 3



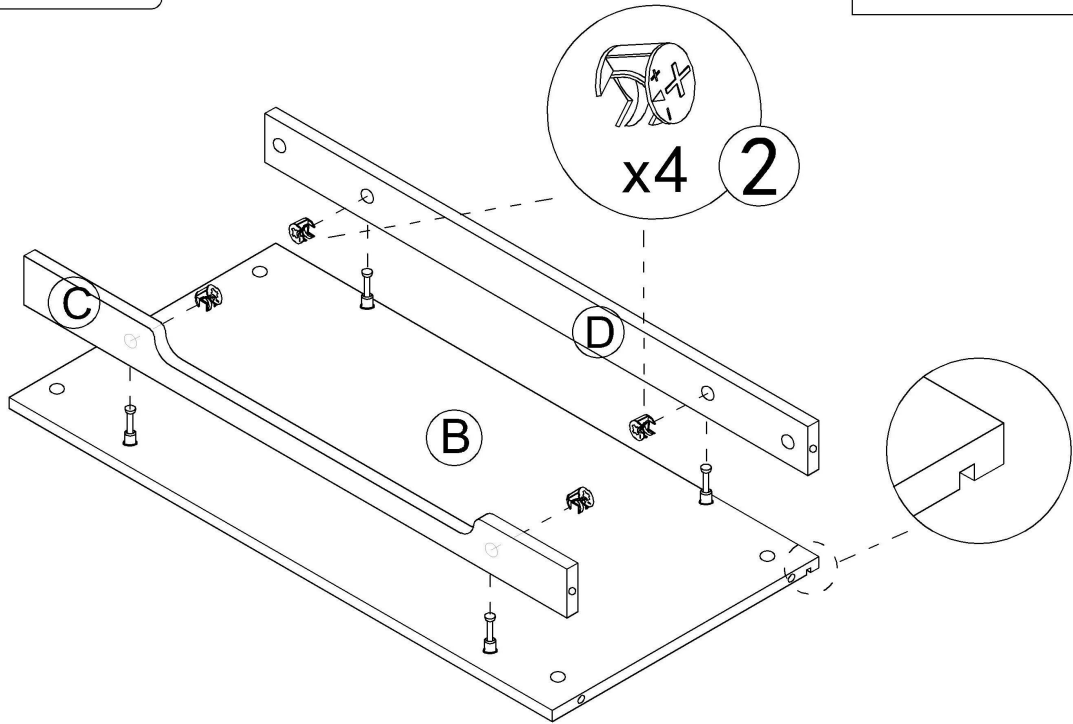
1 x4

x4 1

6

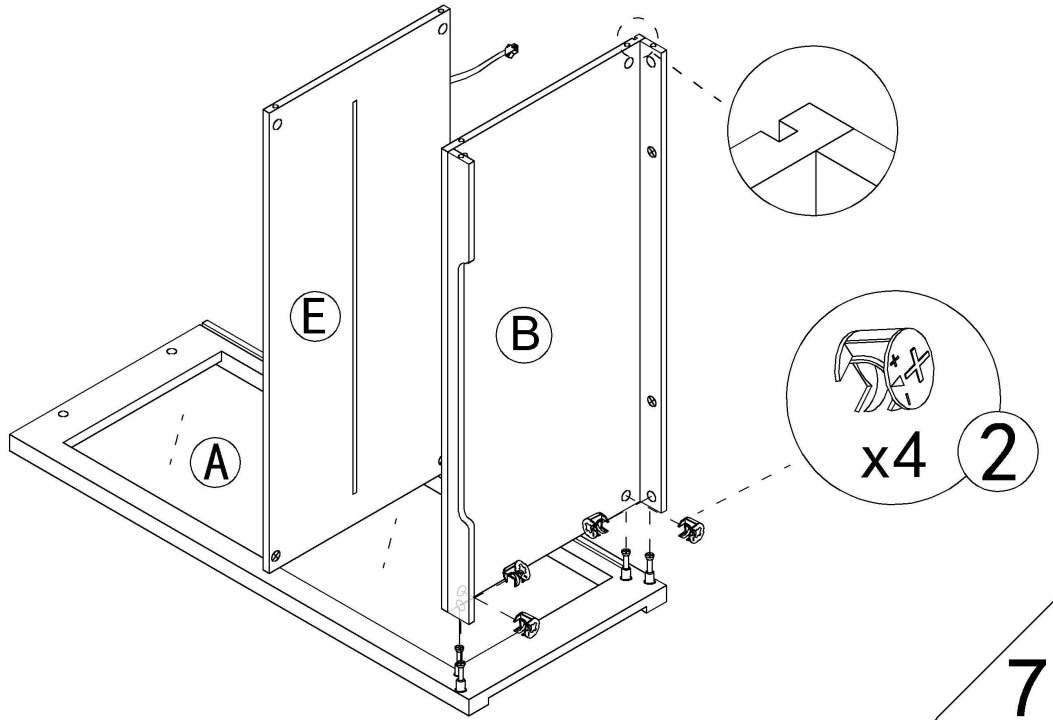
Step 4

②  x4



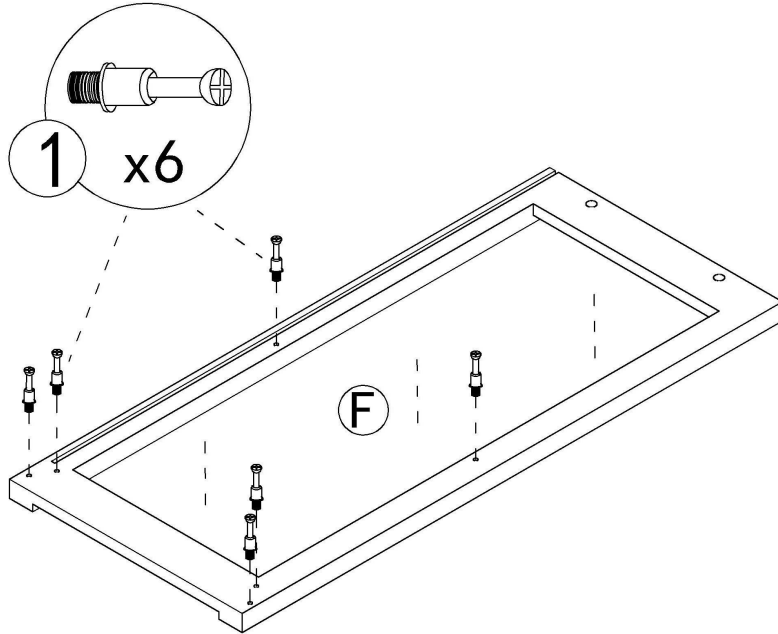
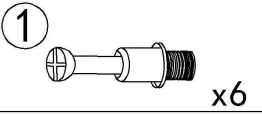
Step 5

②  x4

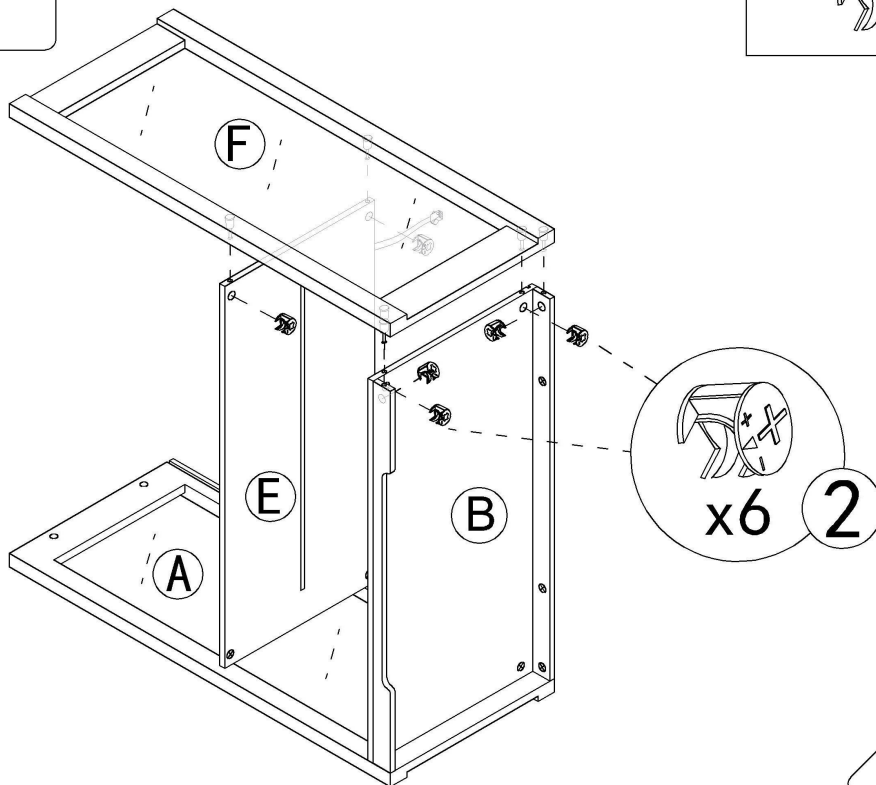


7

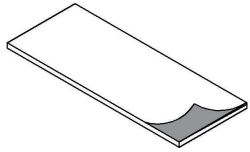
Step 6



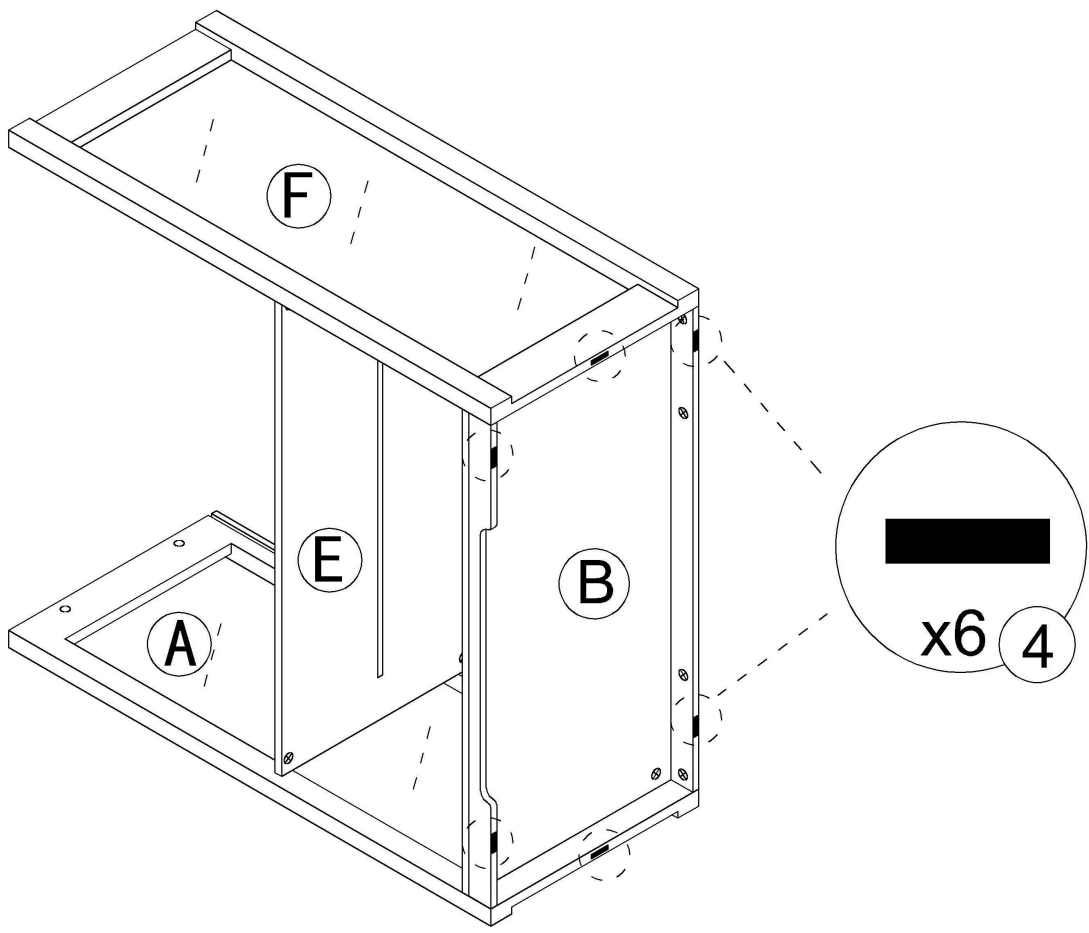
Step 7



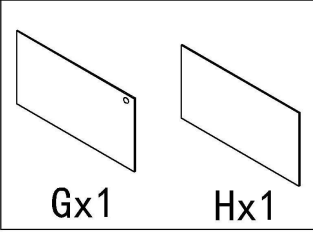
Step 8

4  x6

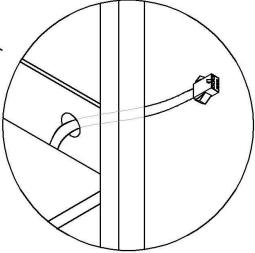
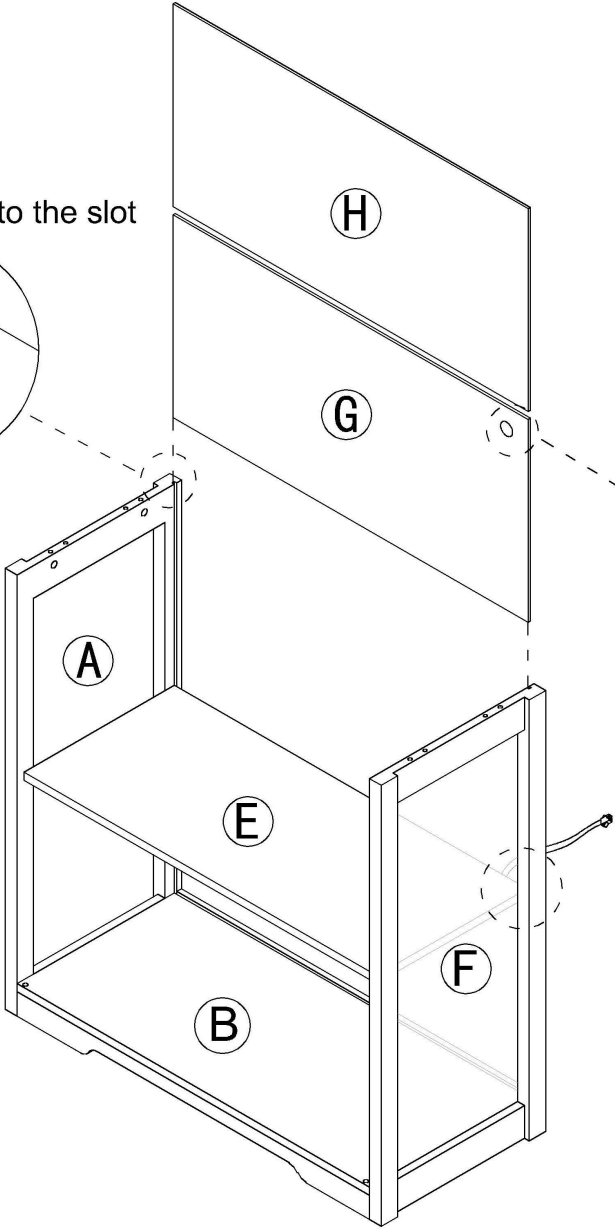
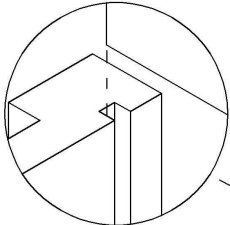
Tear off release paper and stick the black foot pad on the board



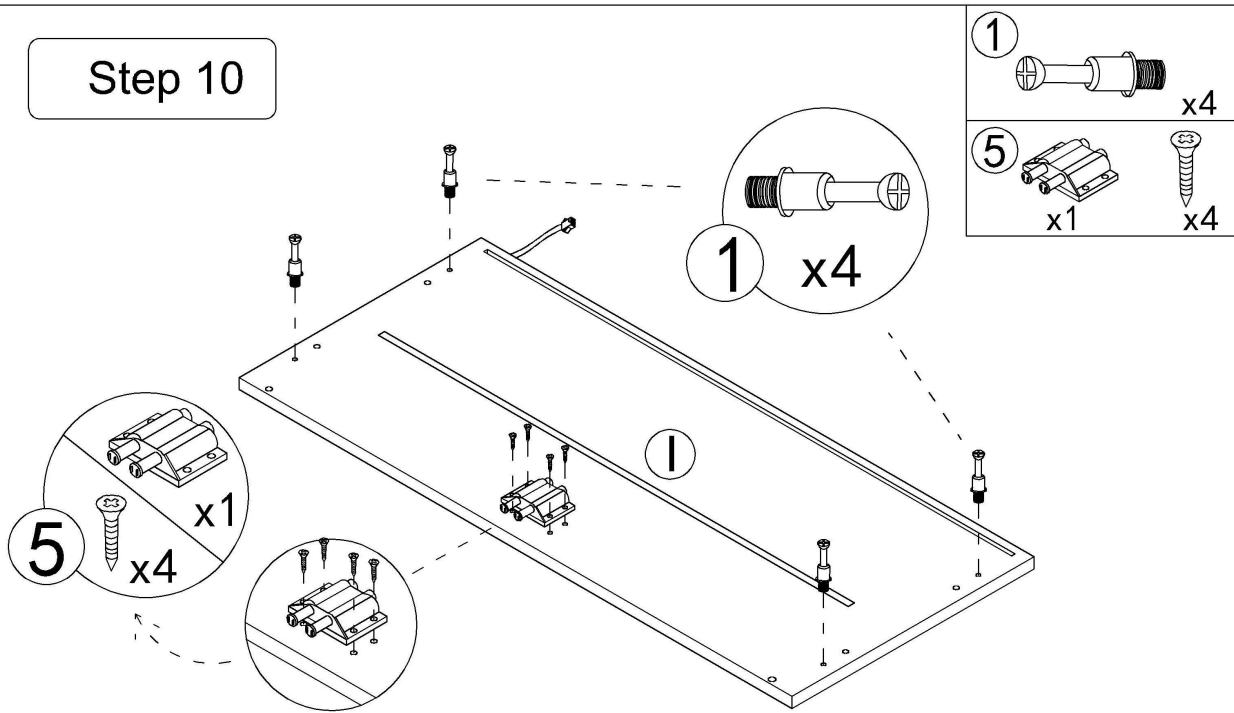
Step 9



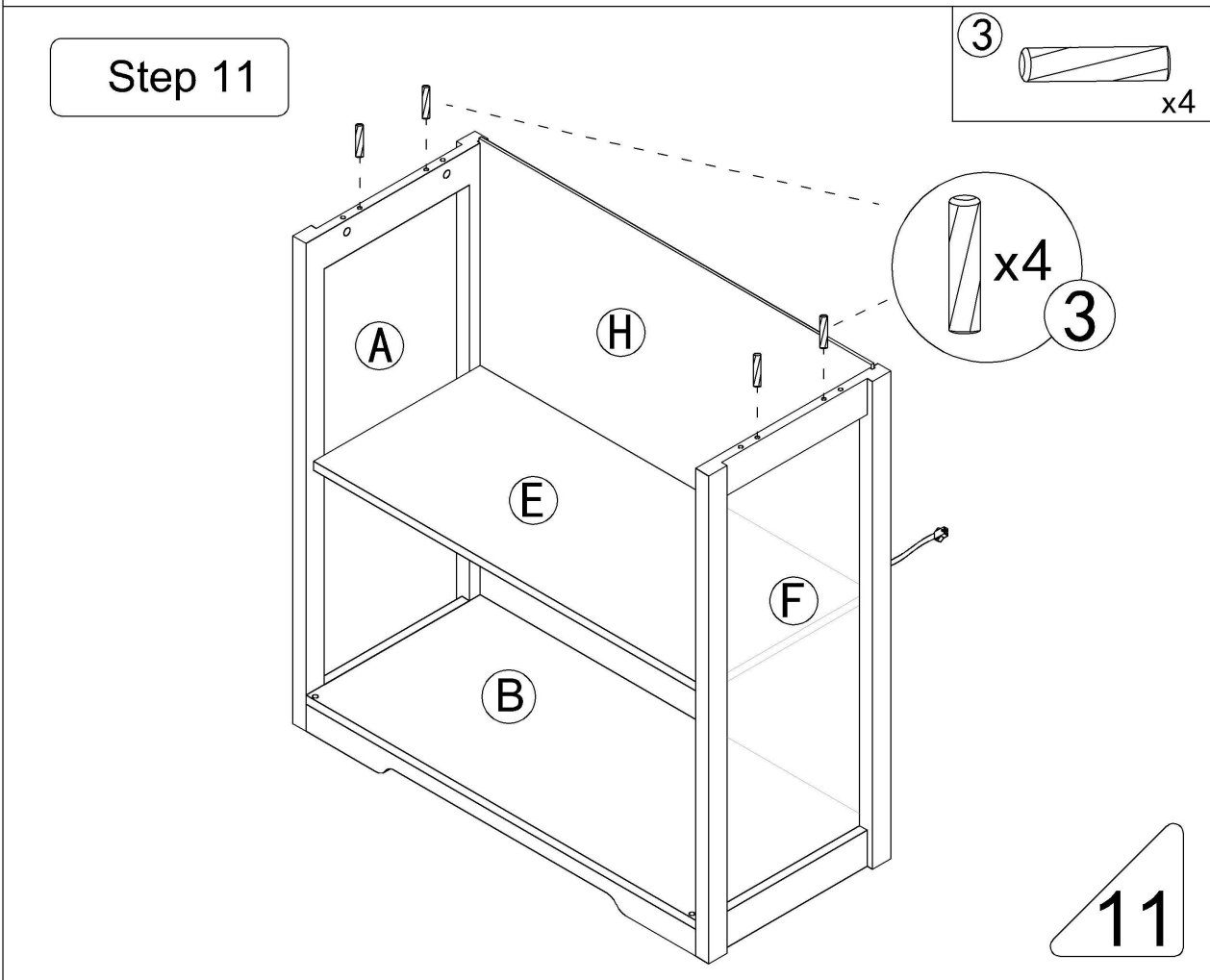
Insert the backplane into the slot



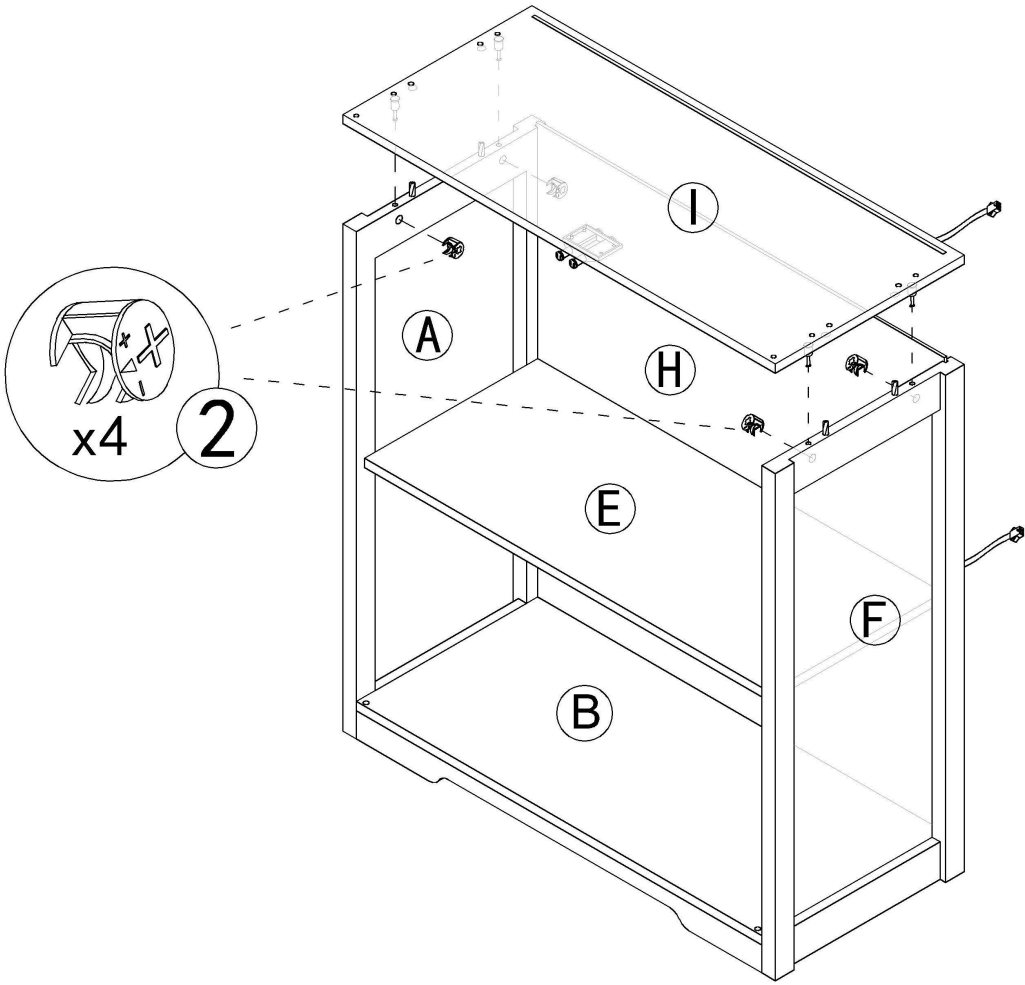
Step 10



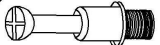
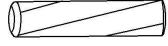
Step 11

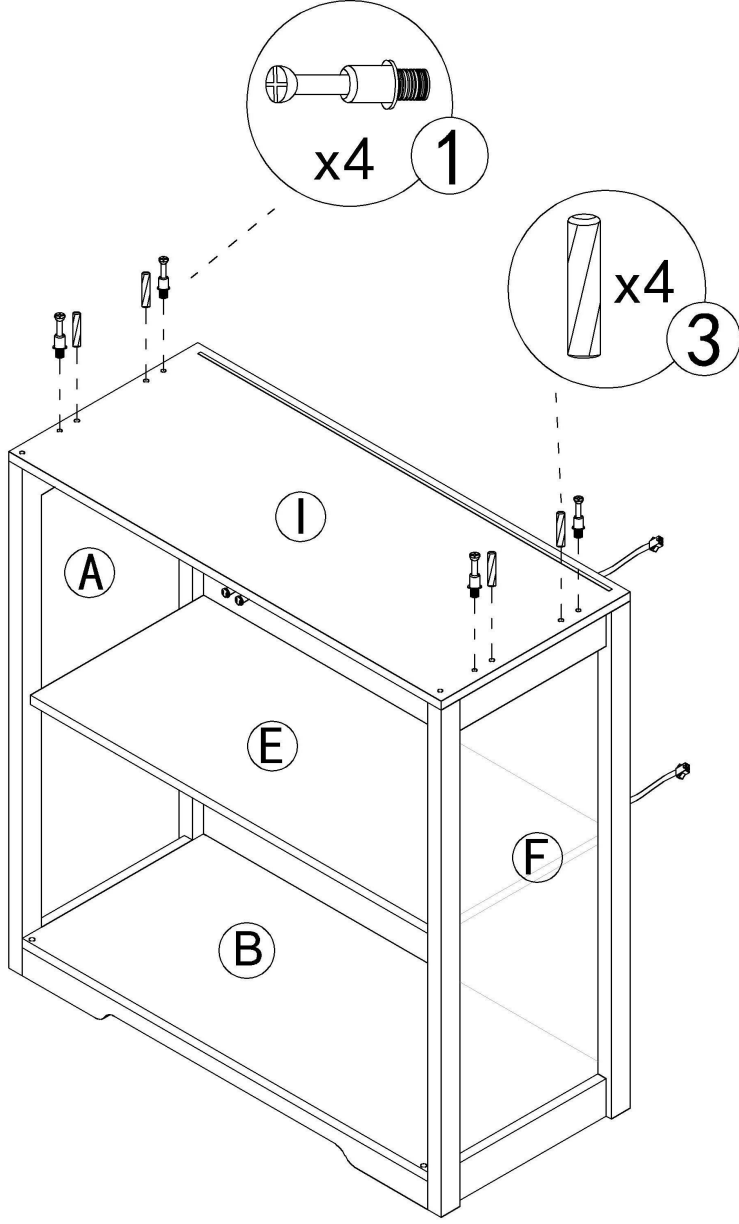


Step 12

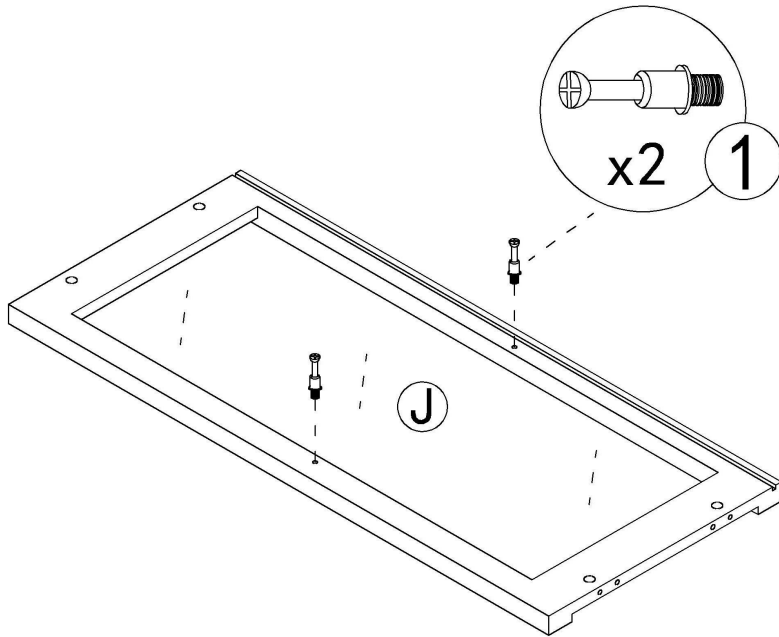
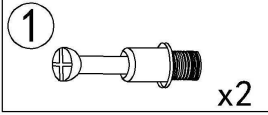


Step 13

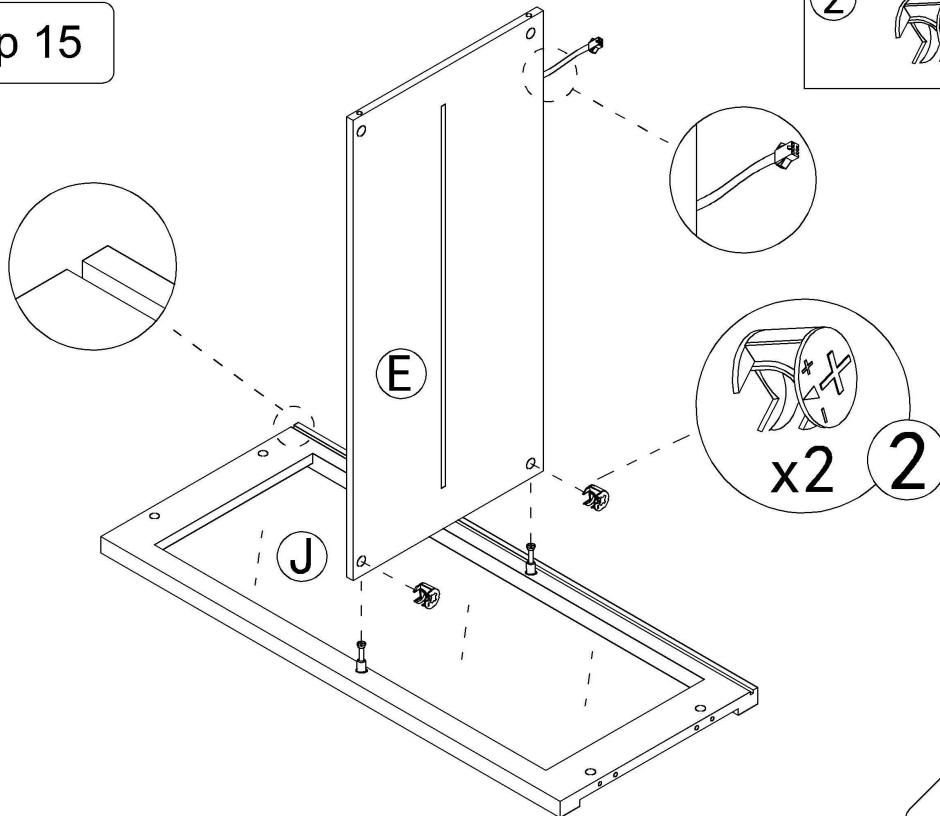
- ①  x4
- ③  x4



Step 14

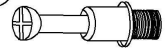


Step 15



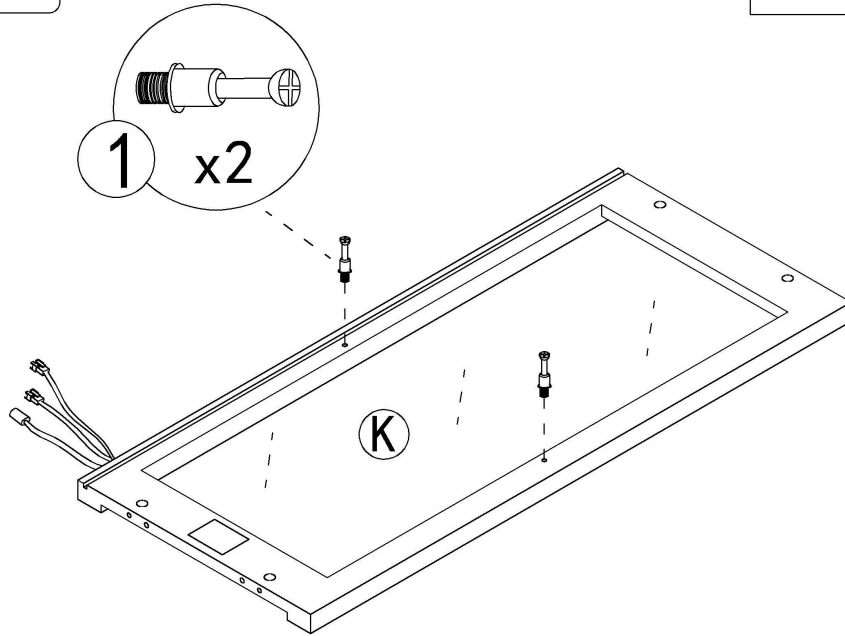
Step 16

1



x2

1 x2

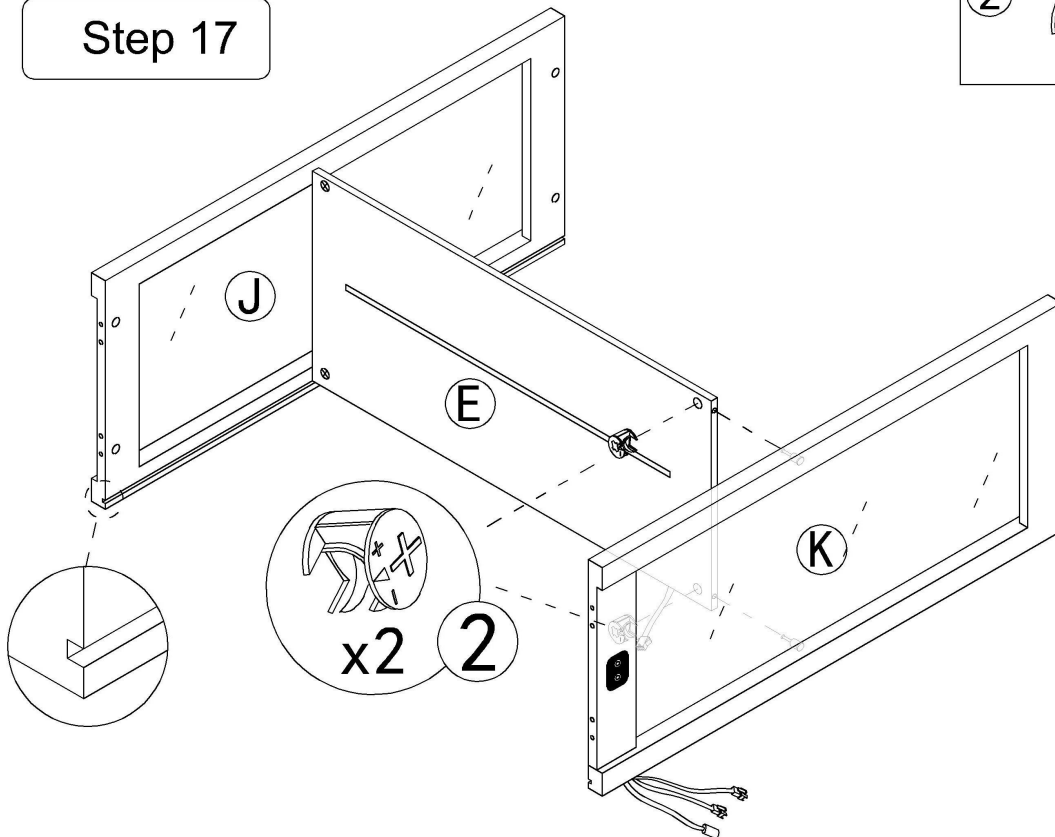


Step 17

2

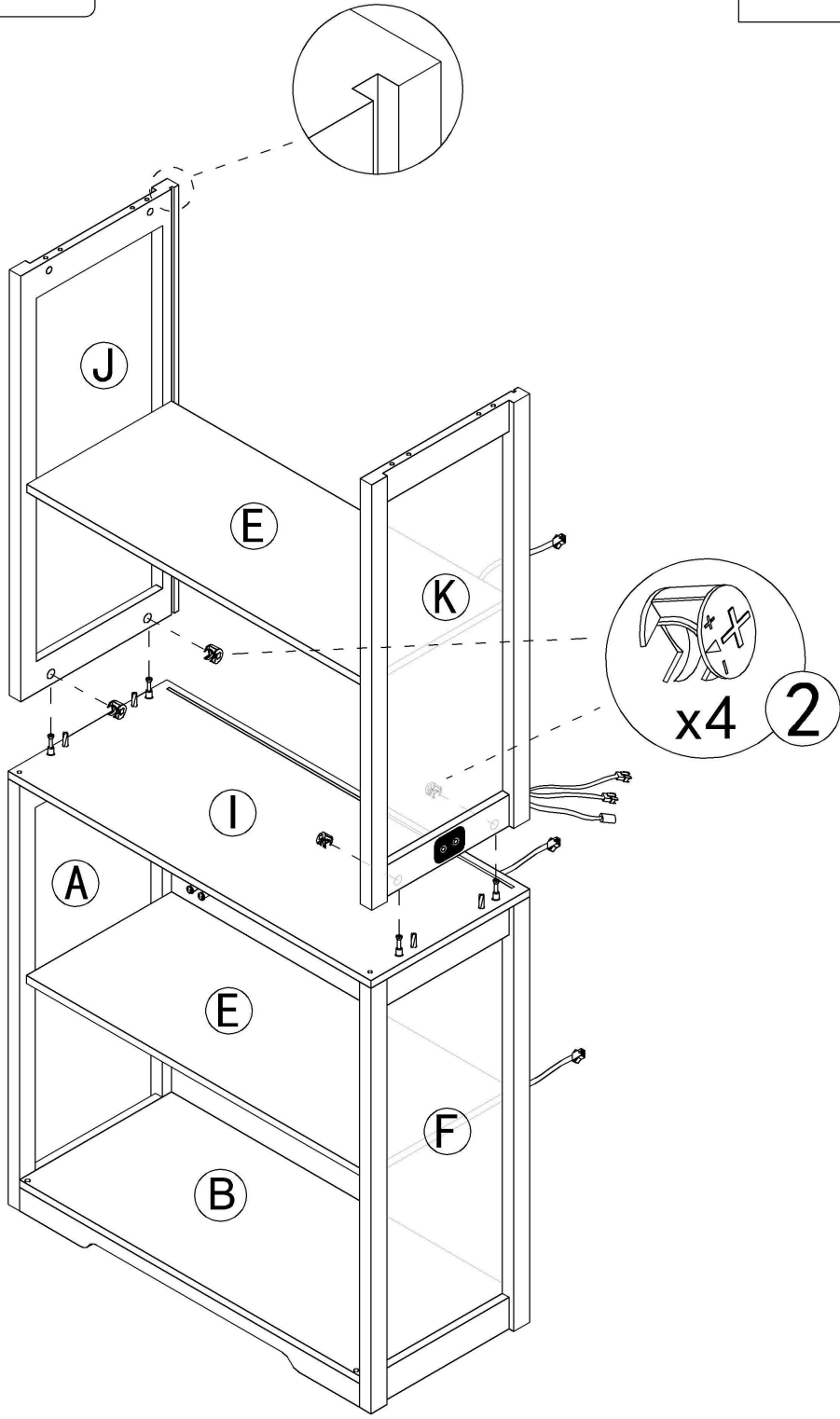


x2

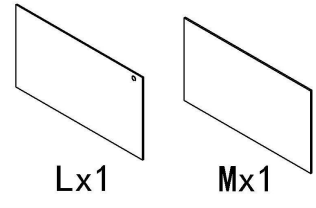


Step 18

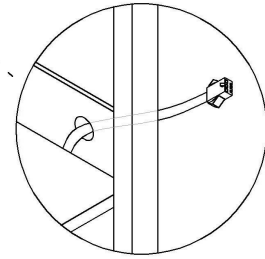
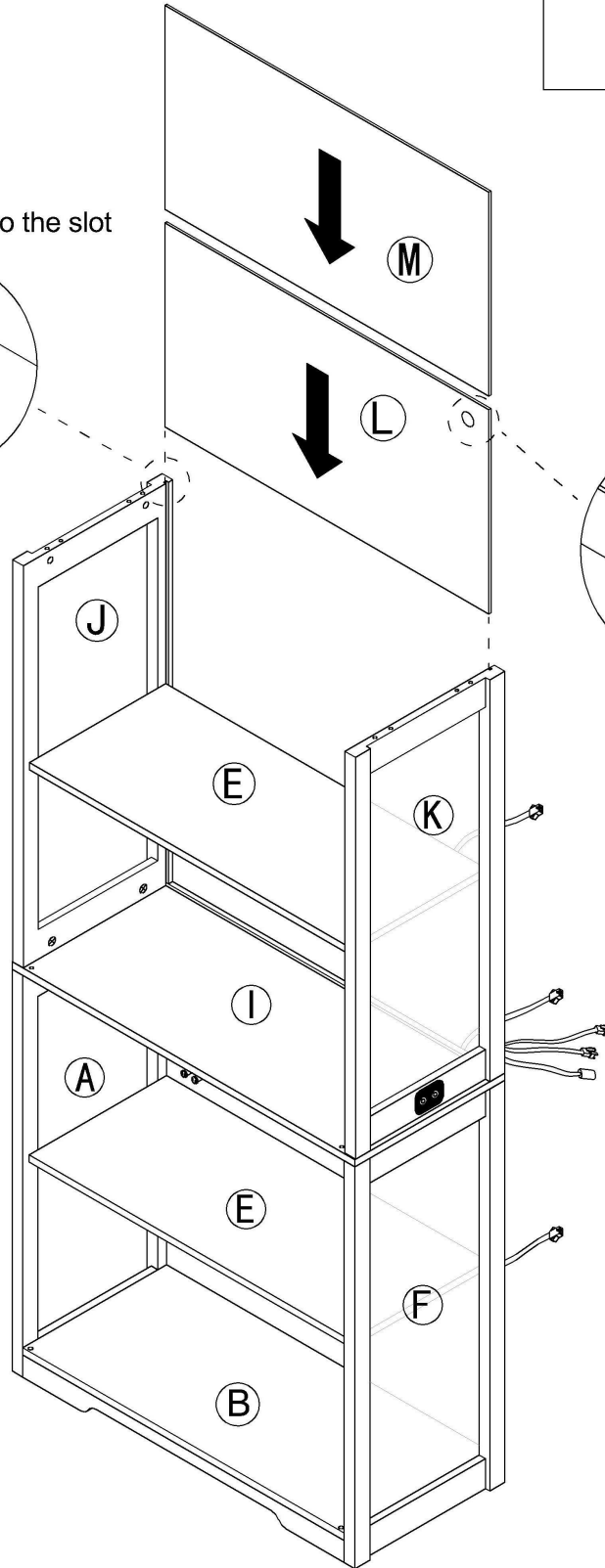
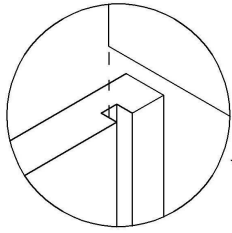
2  x4



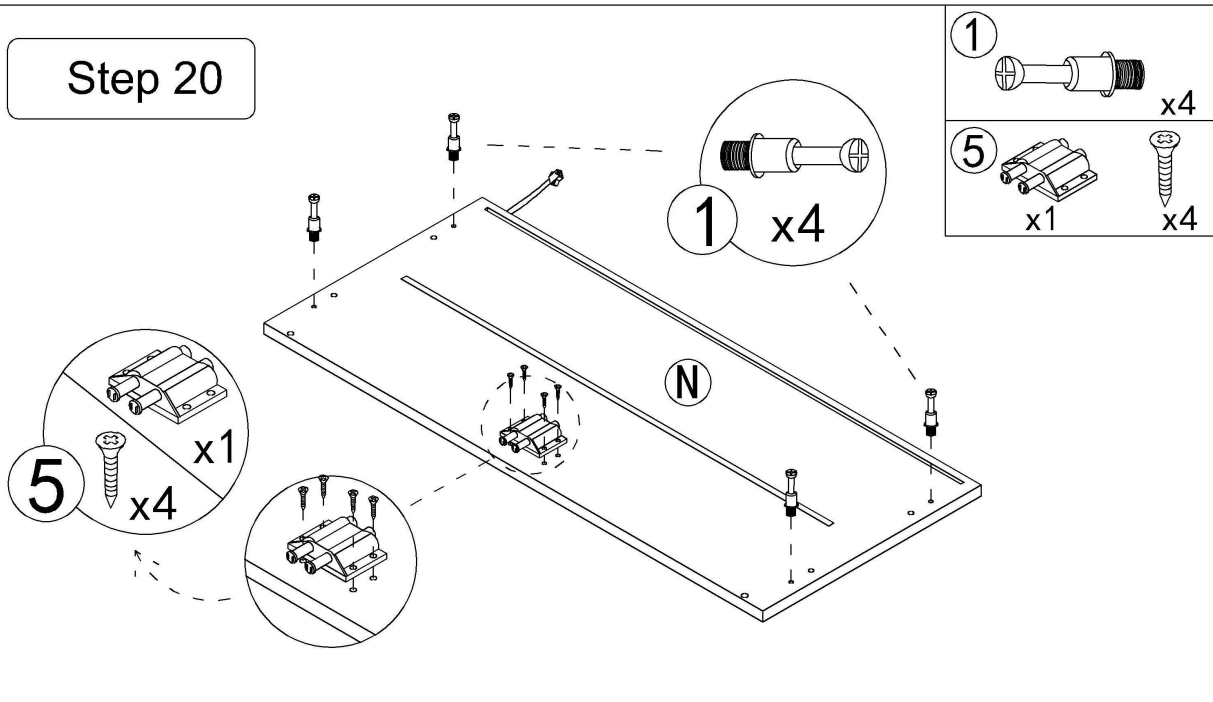
Step 19



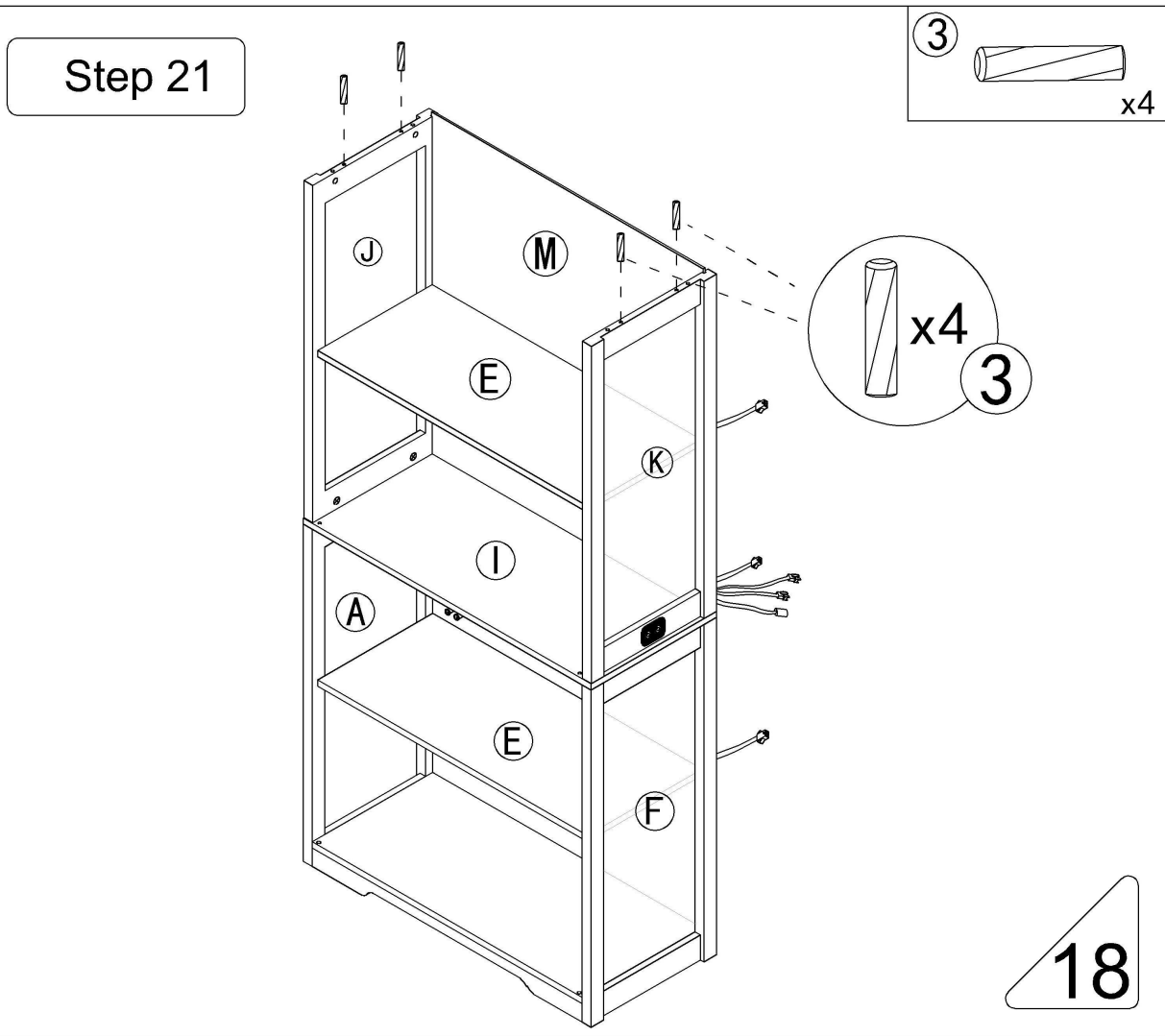
Insert the backplane into the slot



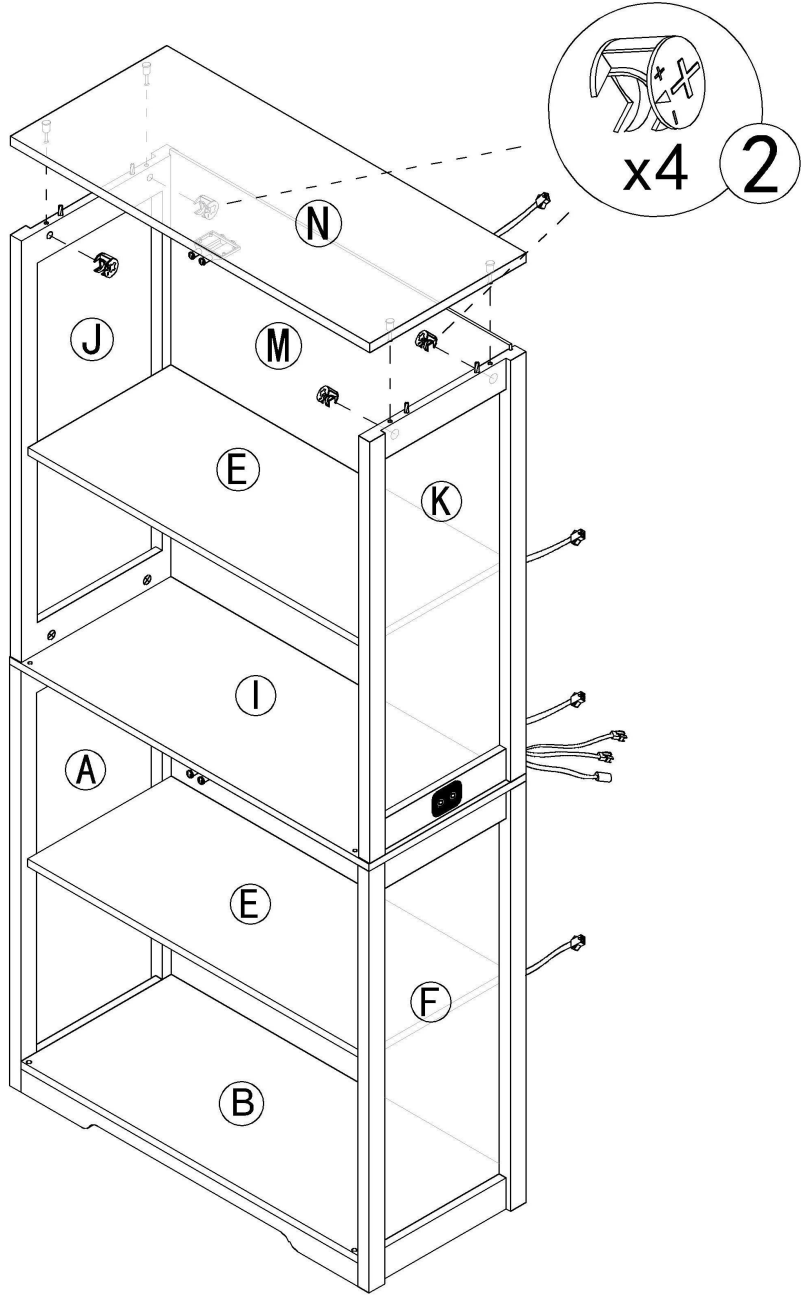
Step 20



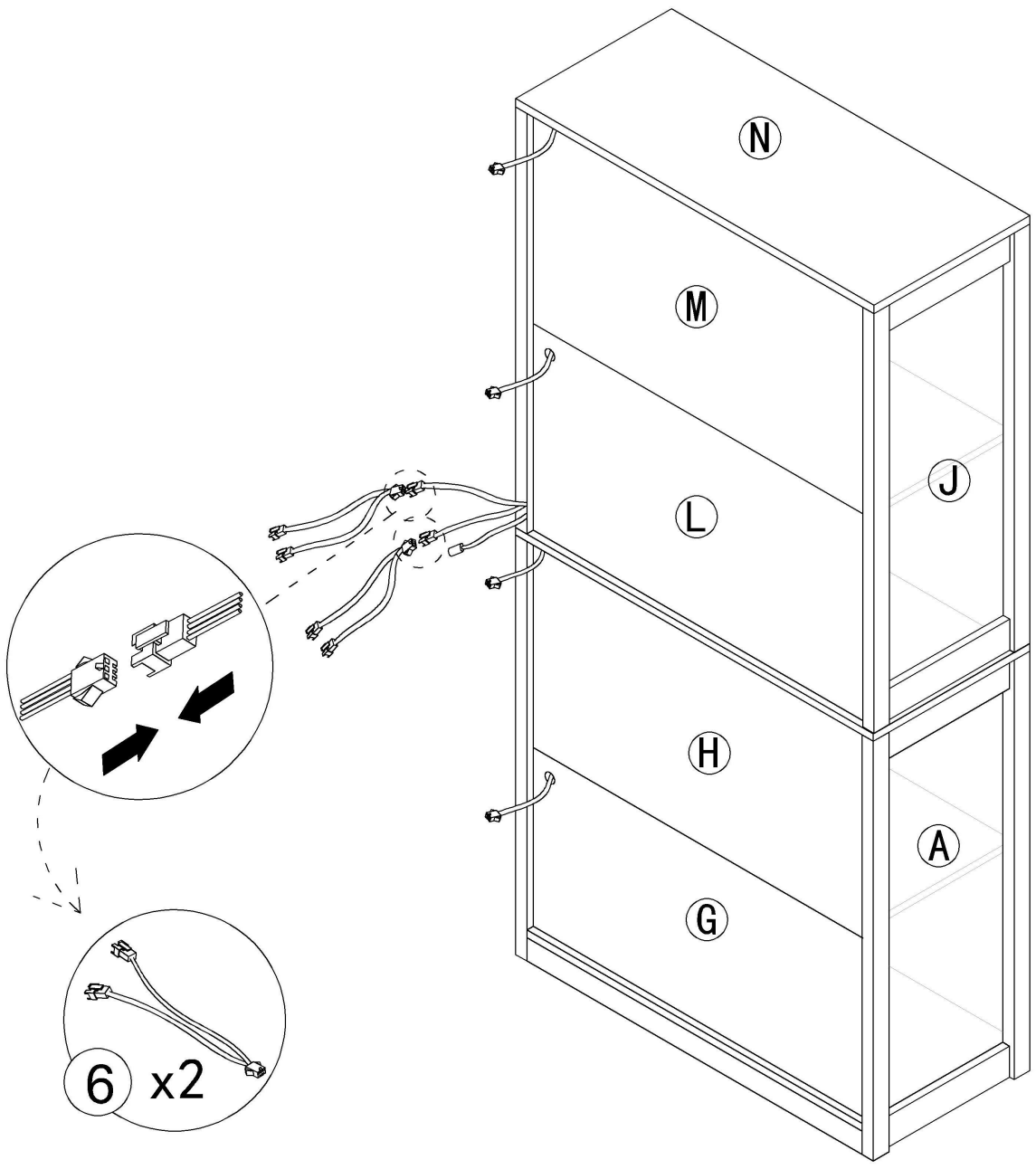
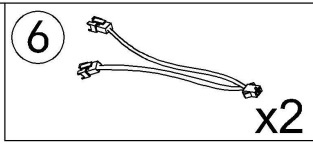
Step 21



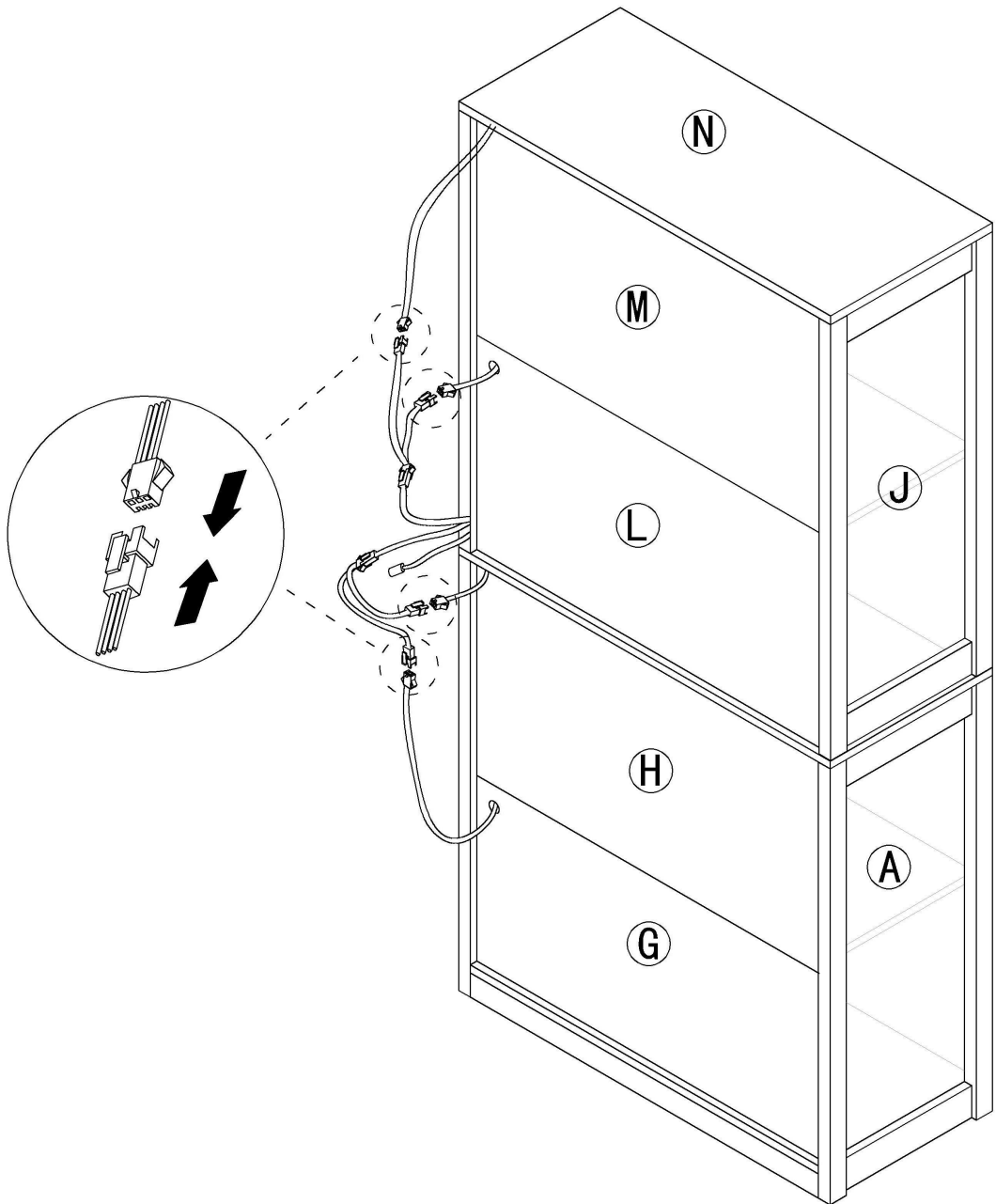
Step 22



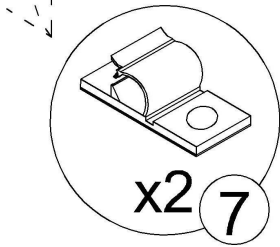
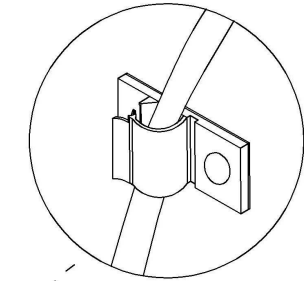
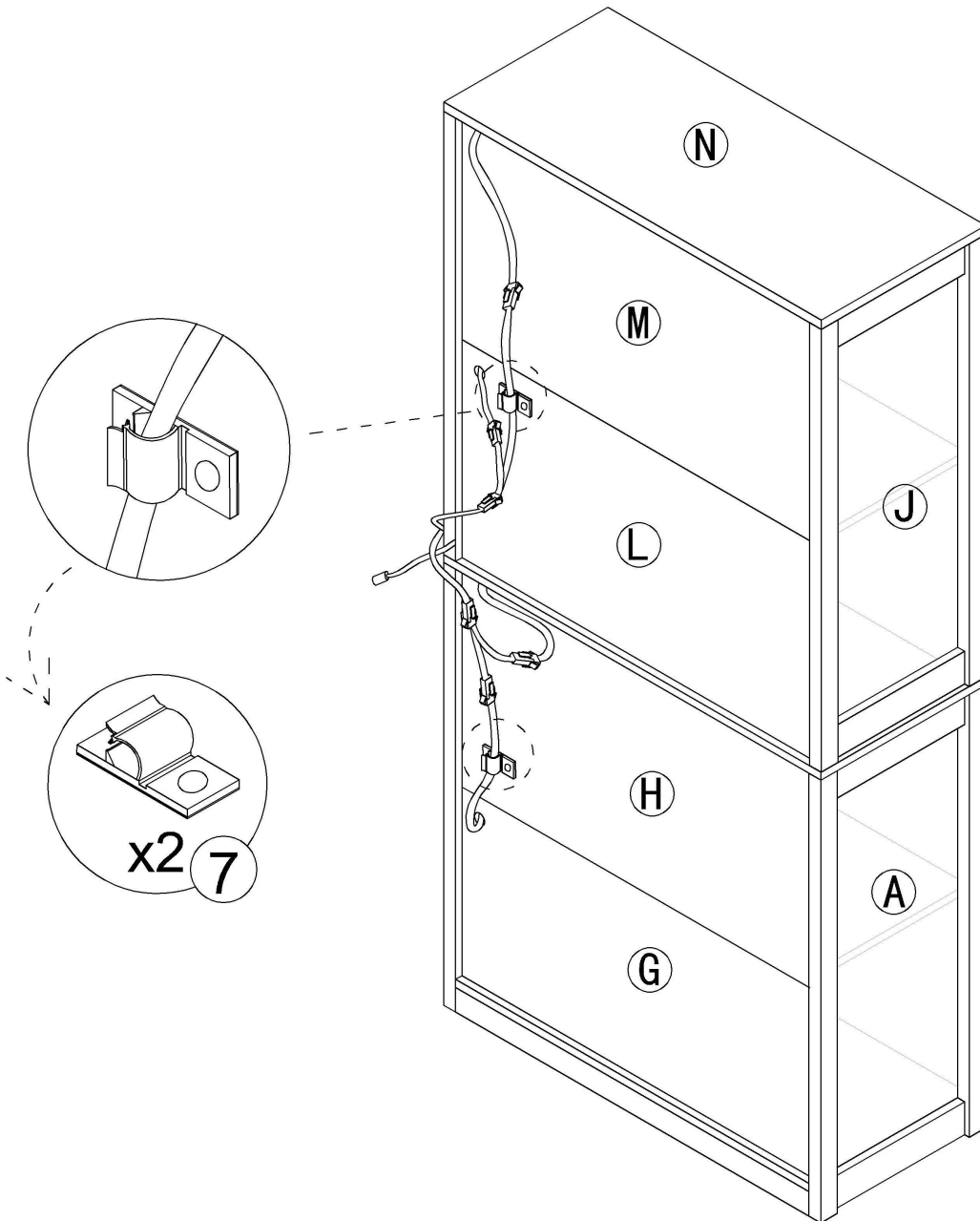
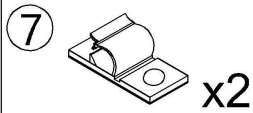
Step 23



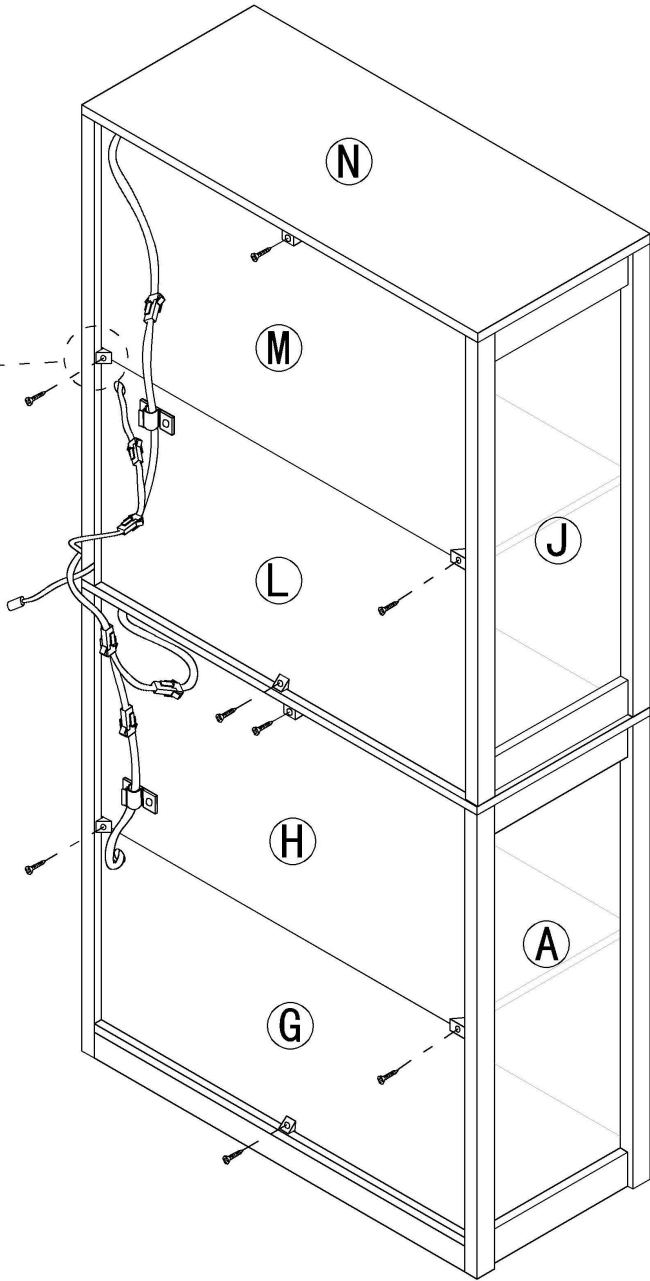
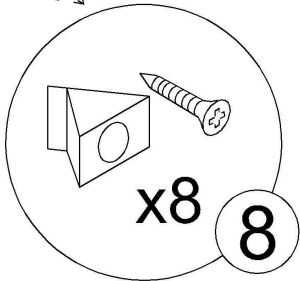
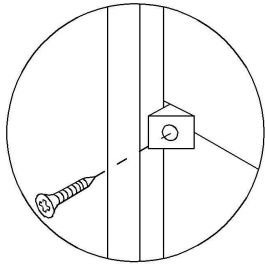
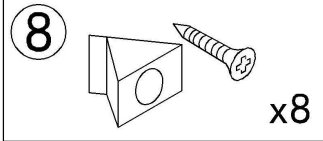
Step 24



Step 25



Step 26



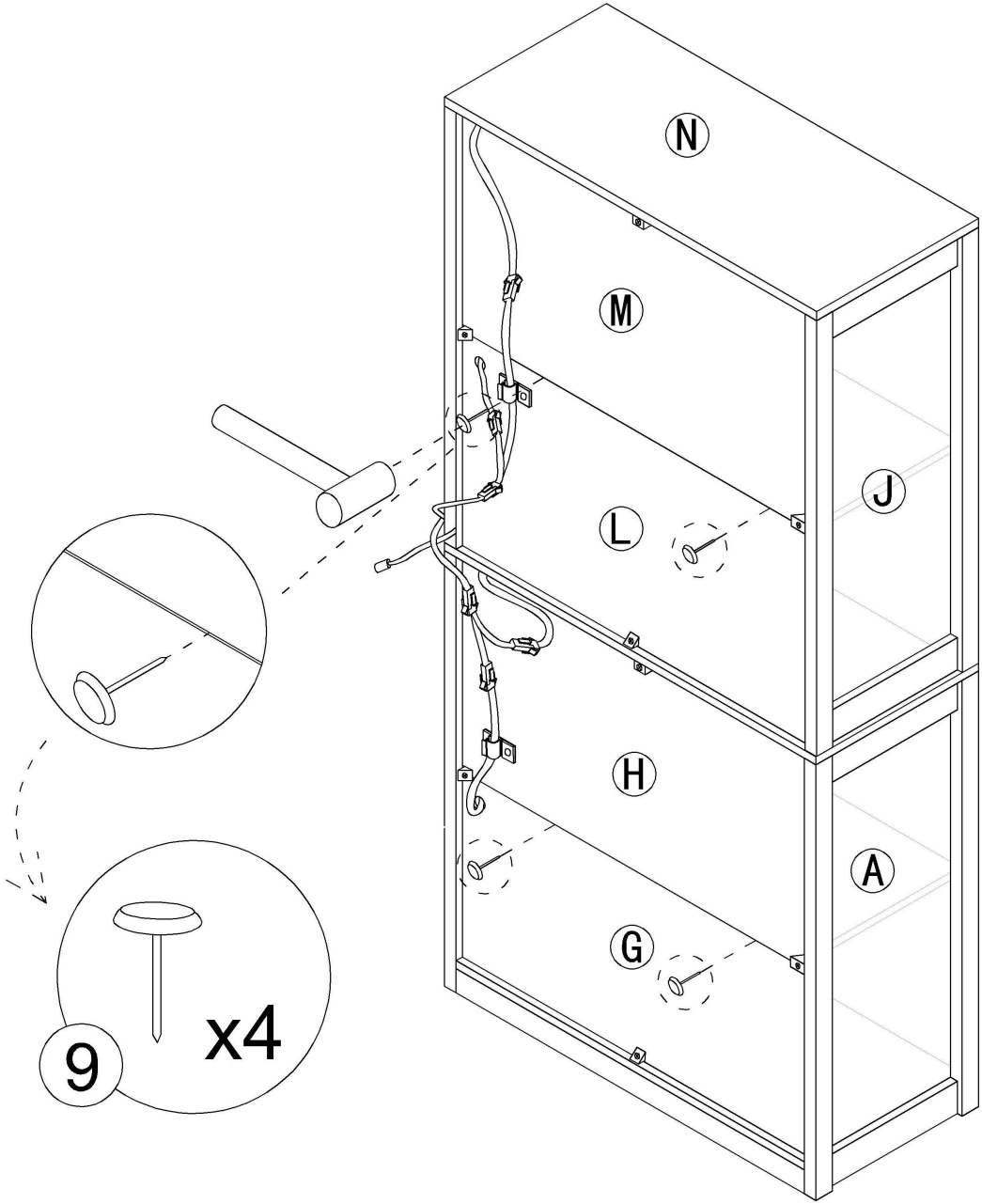
Step 27

9



x4

Use a hammer to drive the nail into the gap of the wooden board and fix the back board

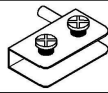


5

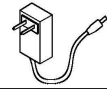
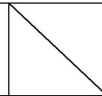


4pcs

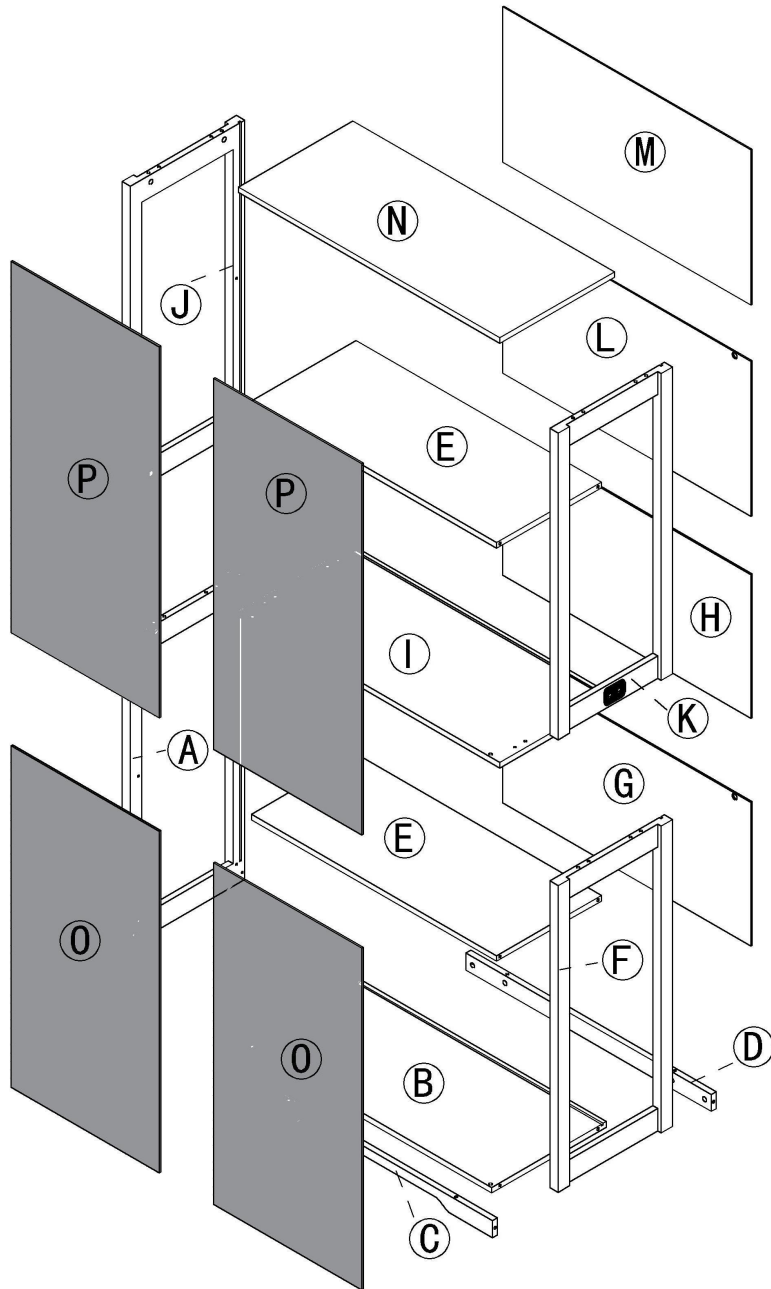
10



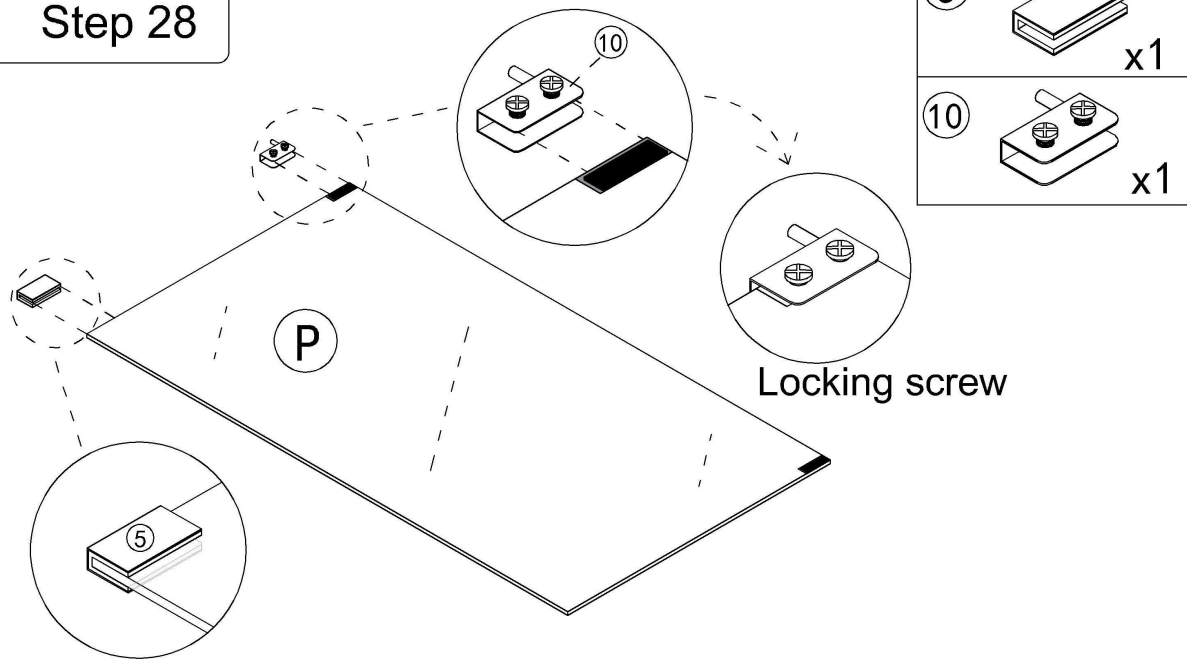
8pcs



1pcs

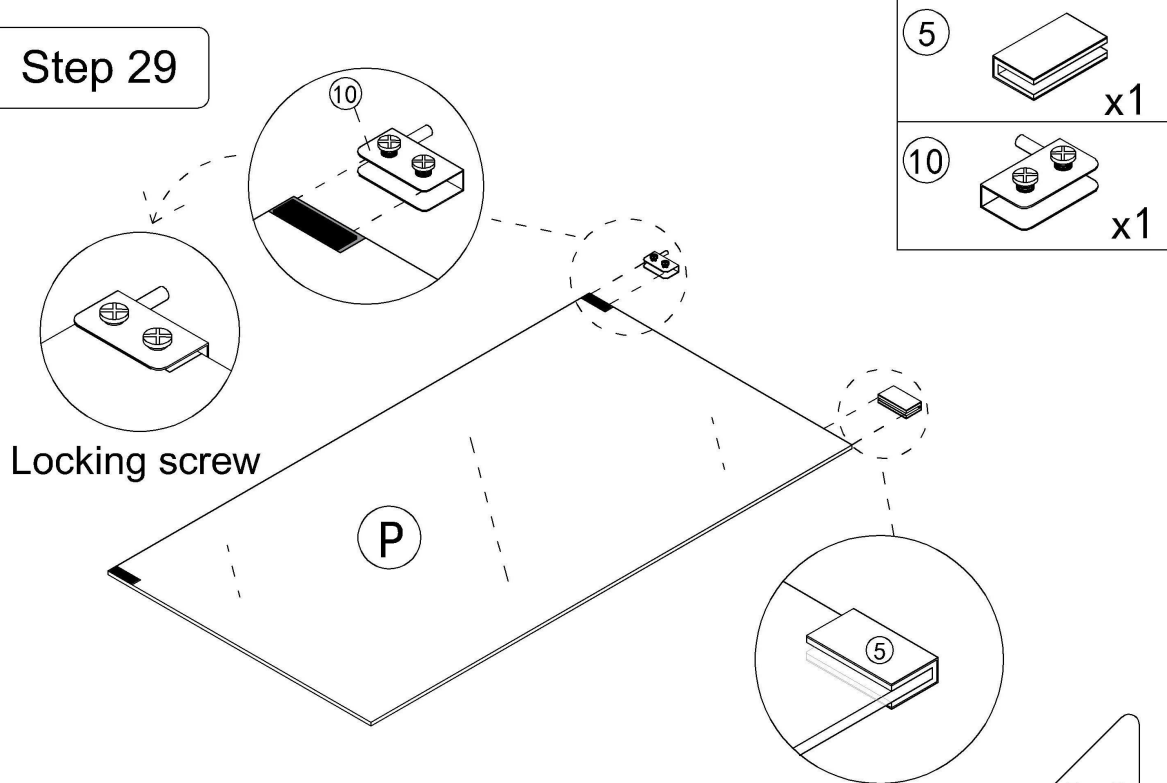


Step 28

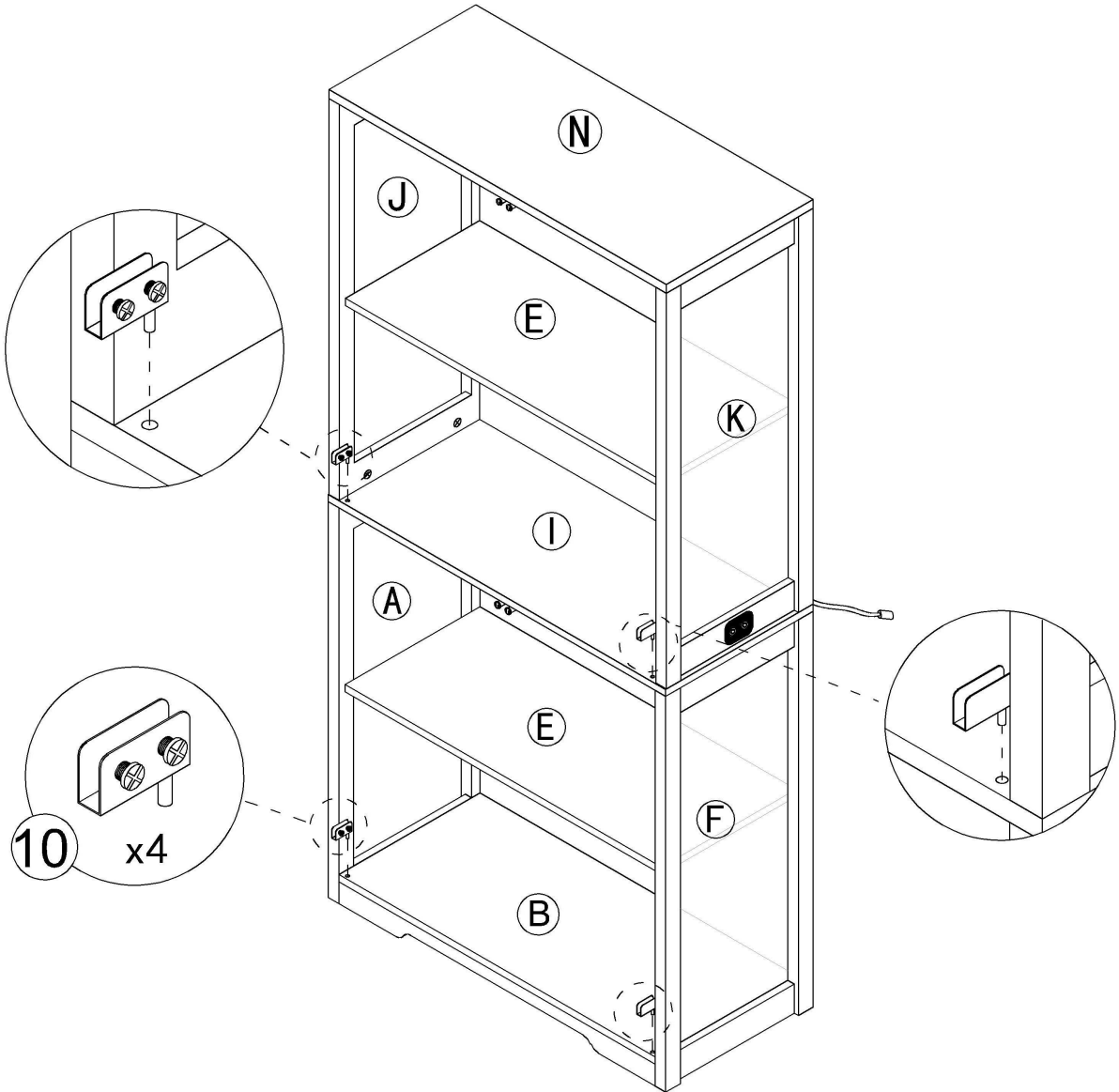
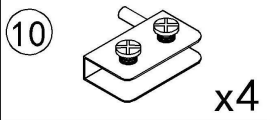


Pay attention to the direction of the door hinge, rotate the screws to compress the black gasket, and do not place it in the opposite direction

Step 29

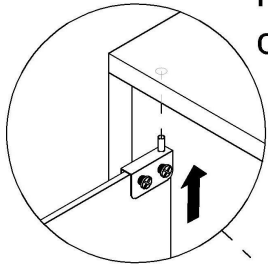


Step 30



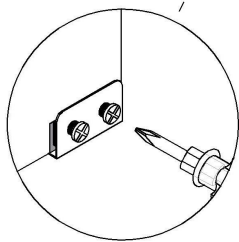
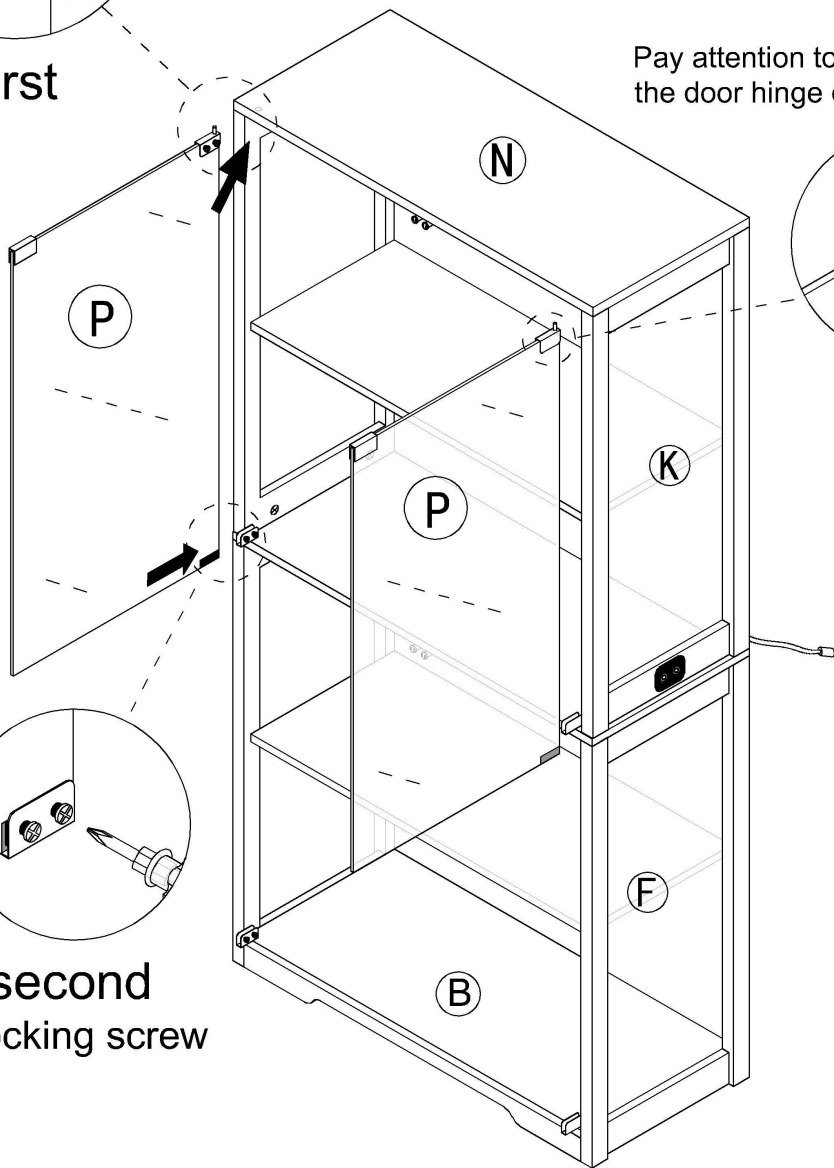
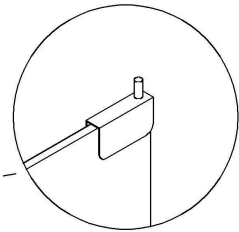
Step 31

When installing a glass door, it is recommended to have two people install it to avoid the glass door colliding or hitting oneself.



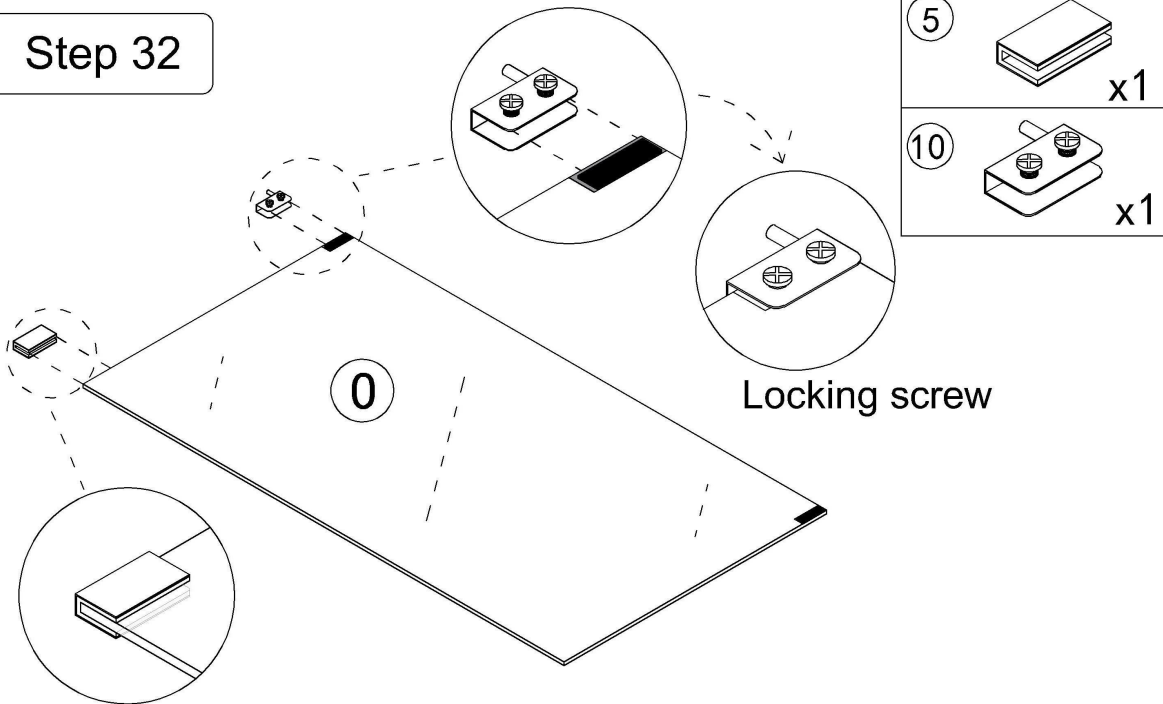
first

Pay attention to the direction of the door hinge during installation



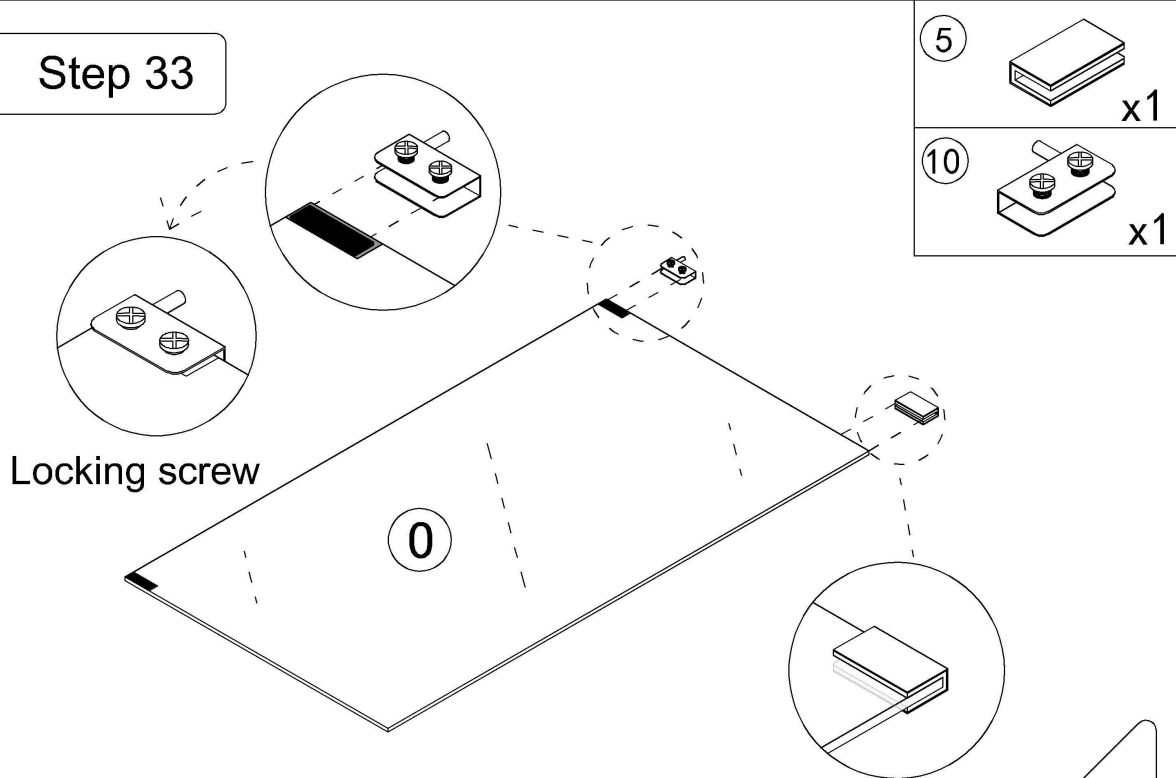
second
Locking screw

Step 32



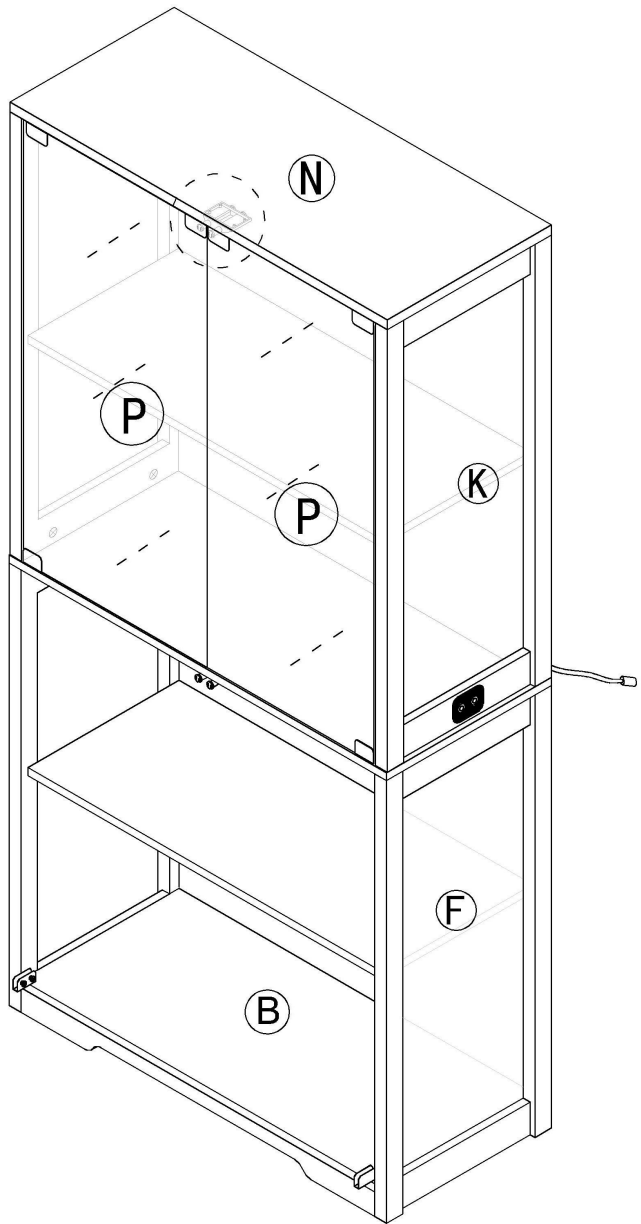
Pay attention to the direction of the door hinge,
rotate the screws to compress the black gasket,
and do not place it in the opposite direction

Step 33

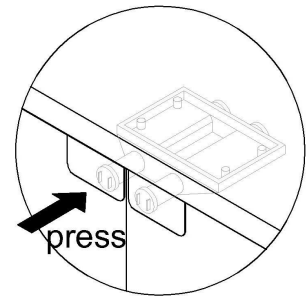


Step 34

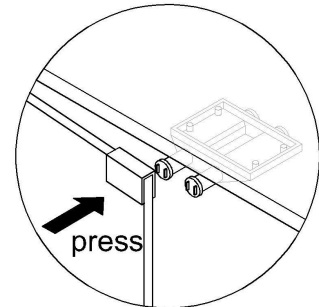
The rebound device automatically opens and closes by pressing



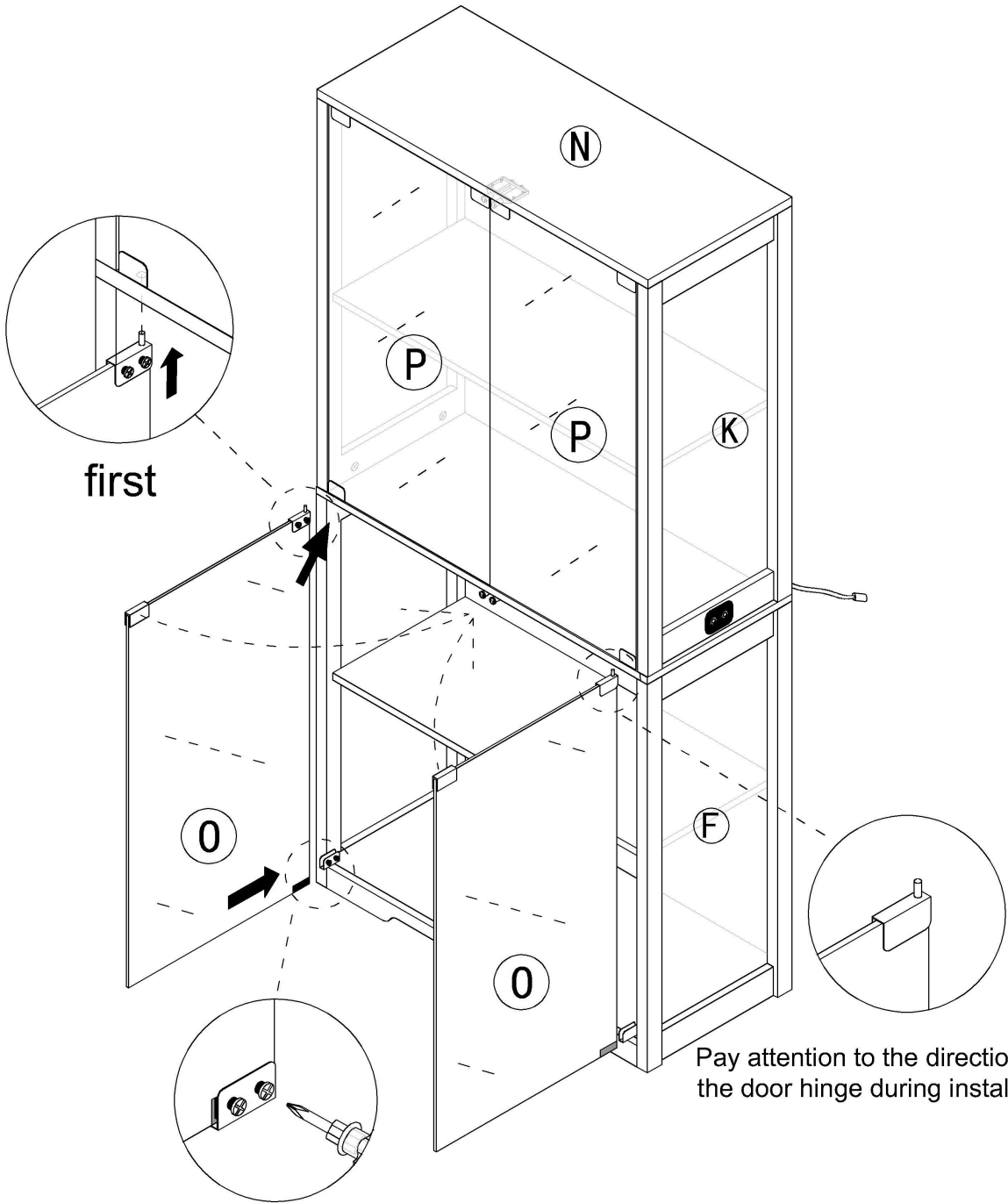
Open the glass door



Close the glass door



Step 35

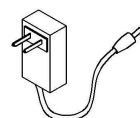


first

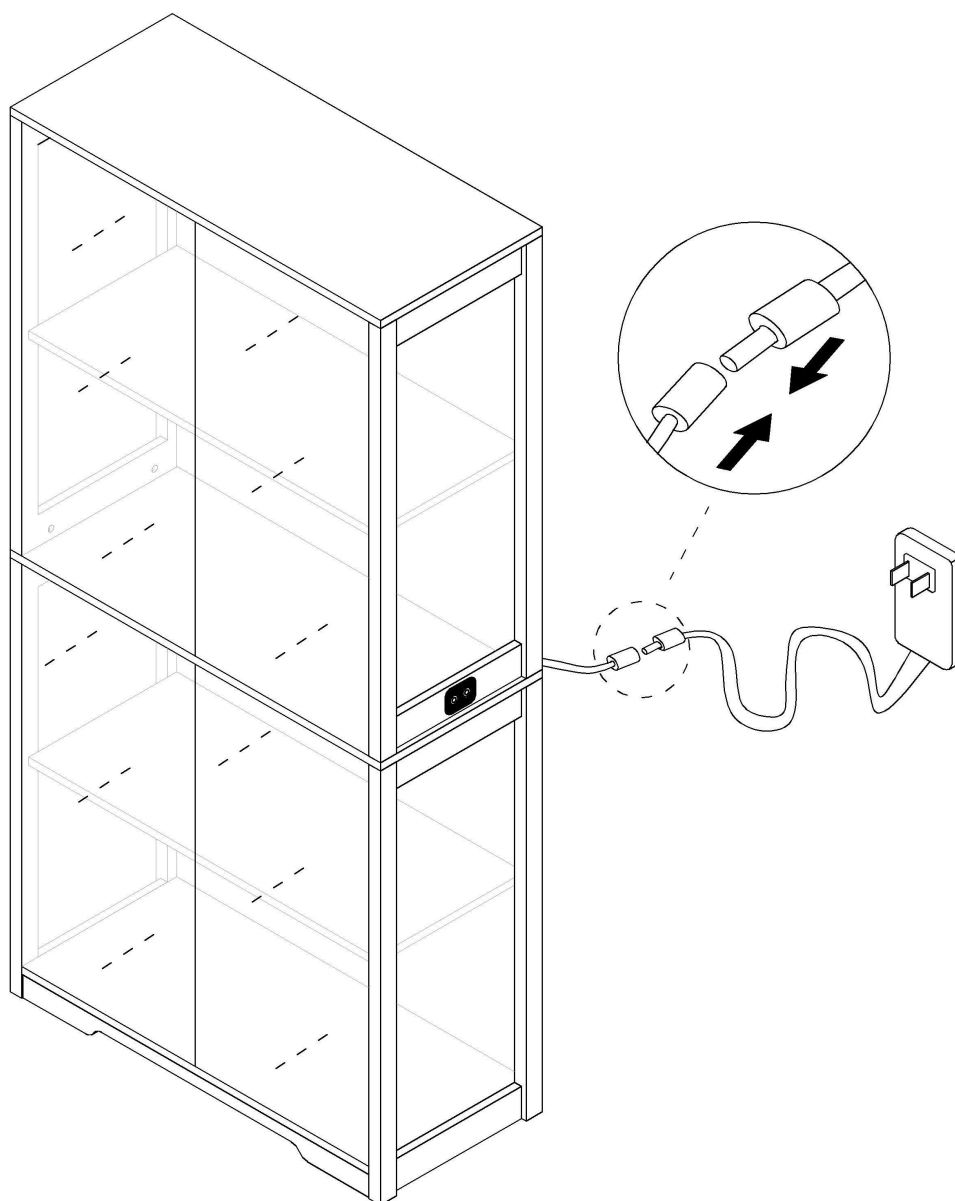
second
Locking screw

Pay attention to the direction of the door hinge during installation

Step 36



x1



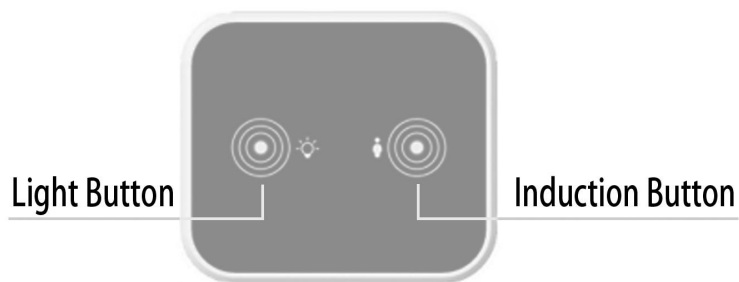
User's Guide

Thank you for purchasing this product. To use this product, please plug it into a 12V DC power supply. Please use if the product works normally after connecting to power.

Introduction

The box is an intelligent controller with 2 touch buttons. It can turn ON/OFF the light, change light colors, and adjust the light luminance.

Product Show



ATTENTION PLEASE

1. If there is no touch response suddenly, Re-plug the power to reset the touch static electricity.
2. If bubbles appear on the panel, remove the protective film.

Operation



This touch button is used to turn on/off, change colors, and adjust brightness.

A. Short touch -> lighting on -> short touch -> change light color -> short touch -> change light color -> short touch -> lighting off. B. Long touch -> adjust the luminance



This touch button is used to turn on/off the induction function.

A. Short touch to turn on the induction function. It can auto-turn on the light when people are close to the controller in 4 meters. It can auto power off the light when the body is far away from the controller after 30 seconds.

B. Long touch to turn off the induction function.

C. Note: When you touch the light button to change the light modes, the induction function will automatically turn off. It is best to turn on this function after selecting the light color and adjusting the brightness you want.