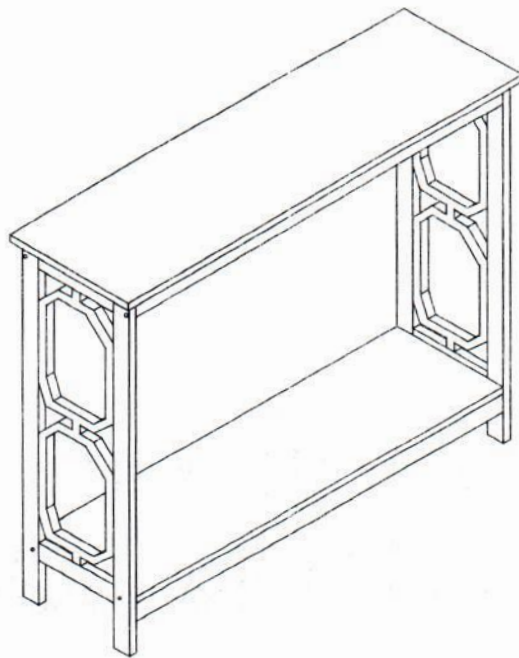


## Console Table



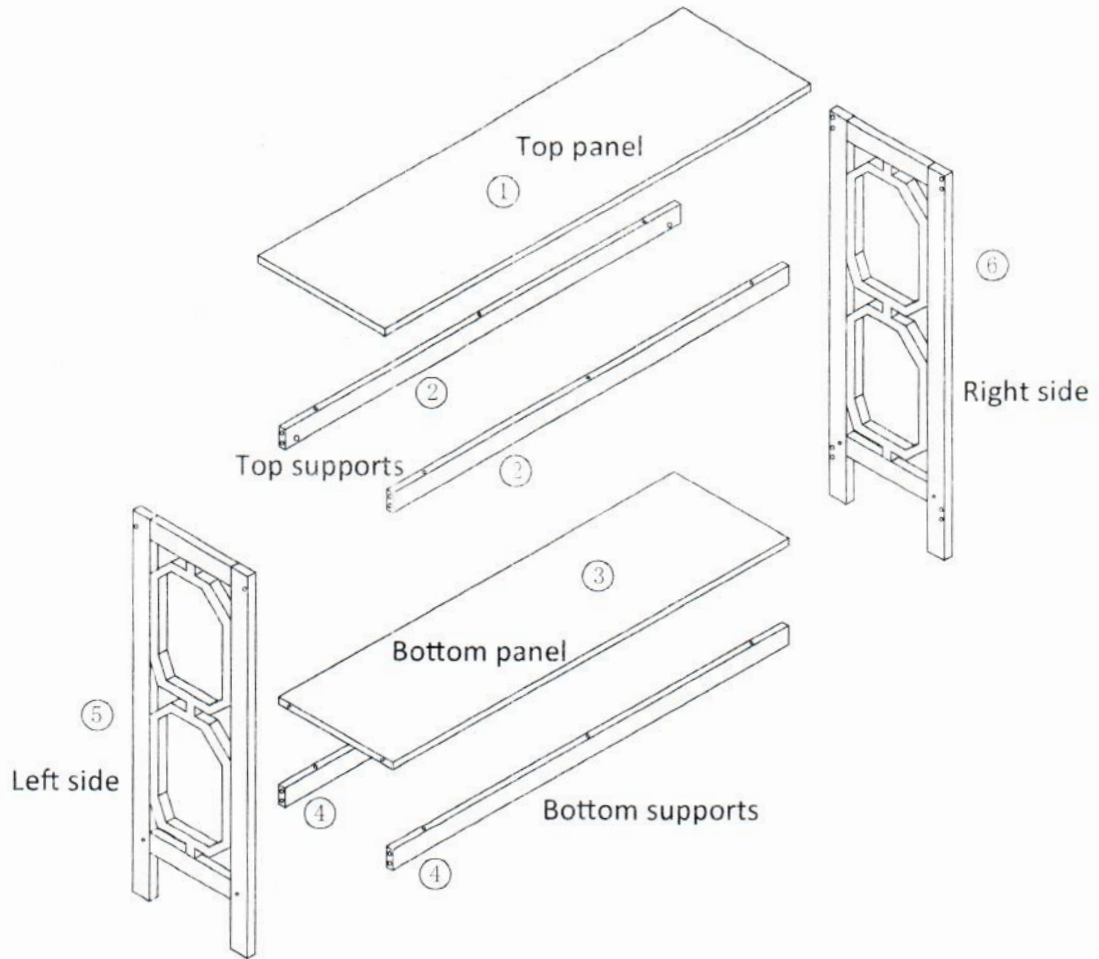
## Assembly Instructions

We have designed our furniture with you the customer in mind. Our clear, easy to follow step by step instructions will guide you through the project from start to finish.

Feel confident that this will be a fun and rewarding project. The final product will be a quality piece of furniture that will go together smoothly and give years of enjoyment.



Please do not return to the store  
Broken or missing Hardware?  
Need help with Assembly?



A x8  
Bolt



B x8  
Lock nut



C x12  
Dowel



D x12  
Large screw



E x2  
Small screw



F x2  
Medium screw



G x2  
Anchor



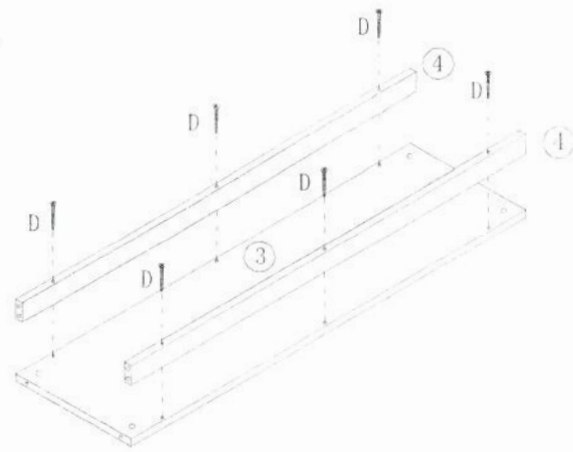
H x2  
Anti-tip bracket



I x8  
Sticker

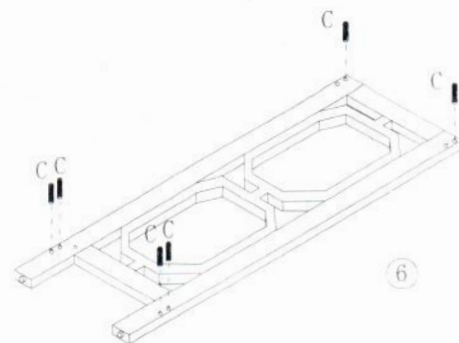
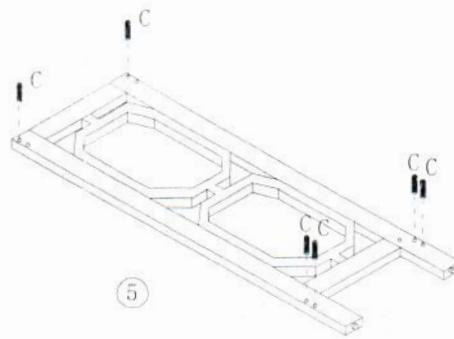
## Step 1

- ① Attach bottom supports (4) to bottom panel (3) using large screws (D).

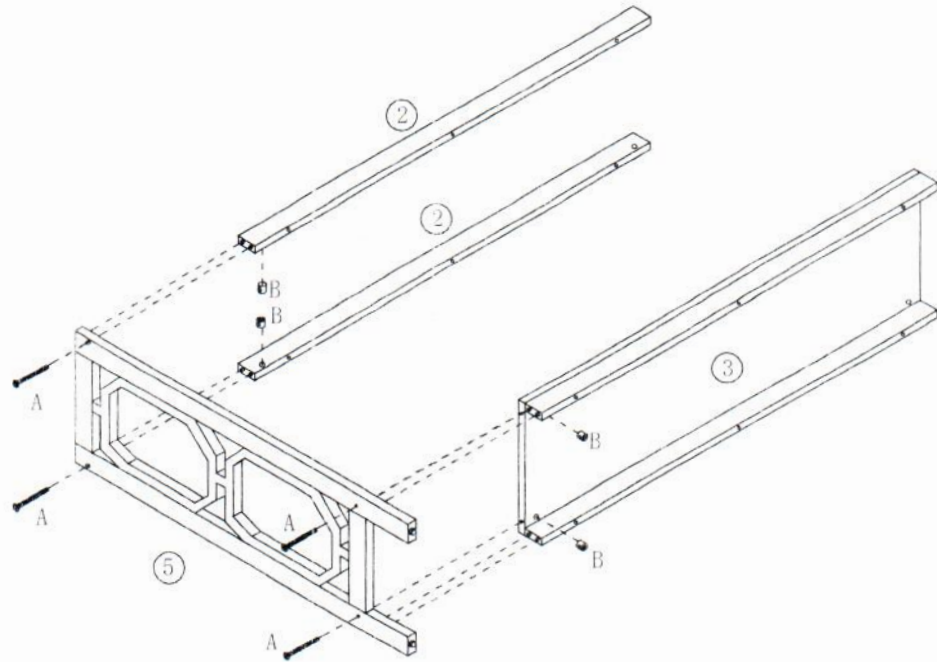


## Step 2

- ① Insert wood dowels (C) into side places.

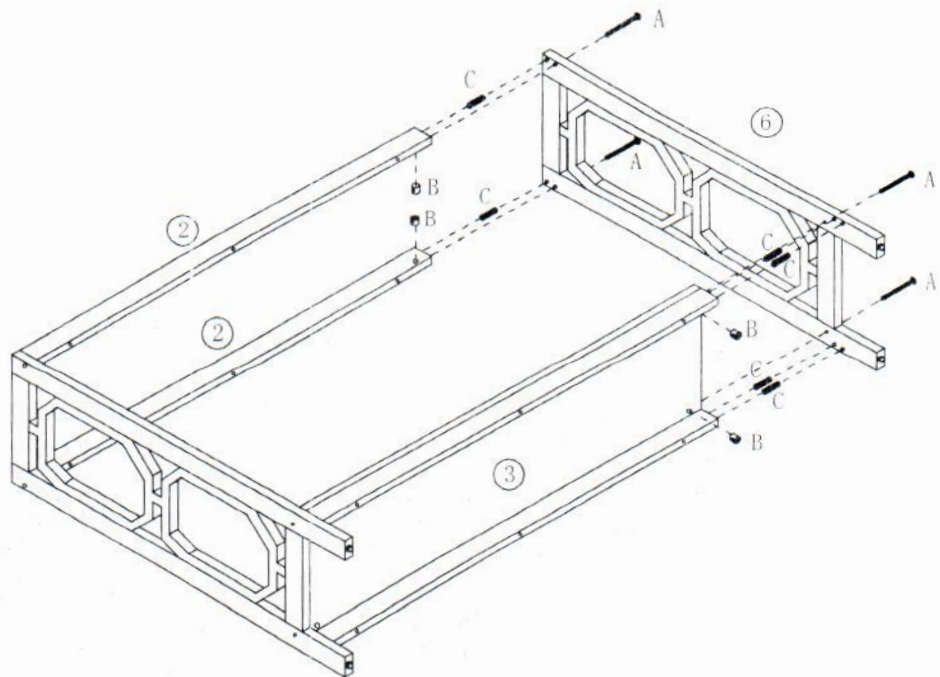


Step 3



① Attach left side (5) to bottom panel and top supports using bolts (A) and lock nuts (B).

Step 4

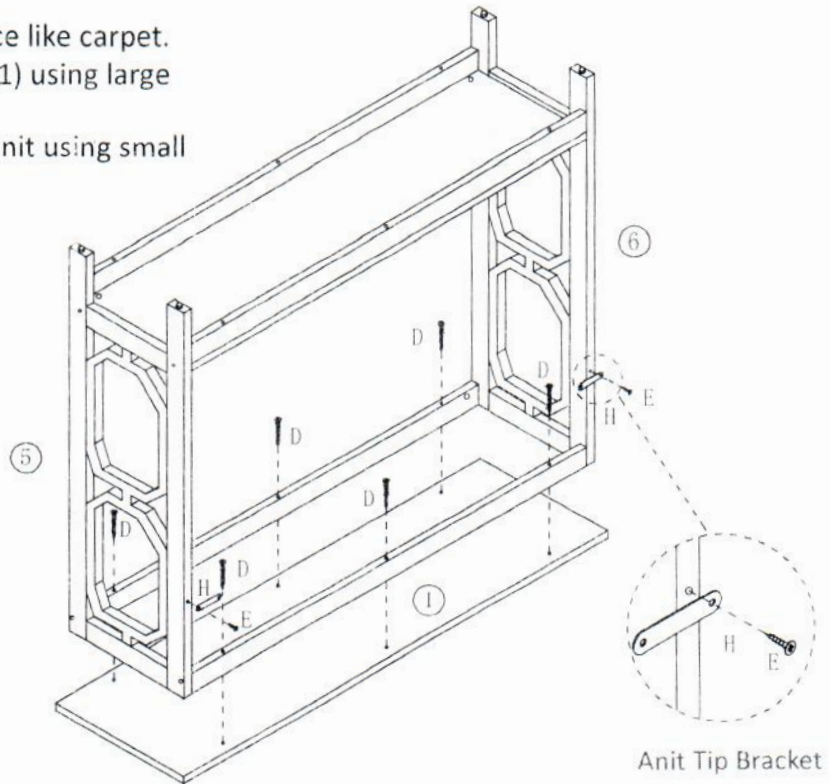


① Repeat step 3 for right side piece (6).

NOTE: Threaded hole of lock nut must face bolt hole.

### Step 5

- ① Put top panel (1) on soft surface like carpet.
- ② Attach assembly to top panel (1) using large screws (D).
- ③ Fasten anti-tip bracket (H) to unit using small screws (E).



### Step 6

- ① Place table against wall in desired location and mark bracket holes with pencil.
- ② Drill hole slightly smaller than anchor.
- ③ Gently tap anchor into wall.
- ④ Fasten table to wall using medium screws (F).
- ⑤ Place stickers (I) over bolt holes.

