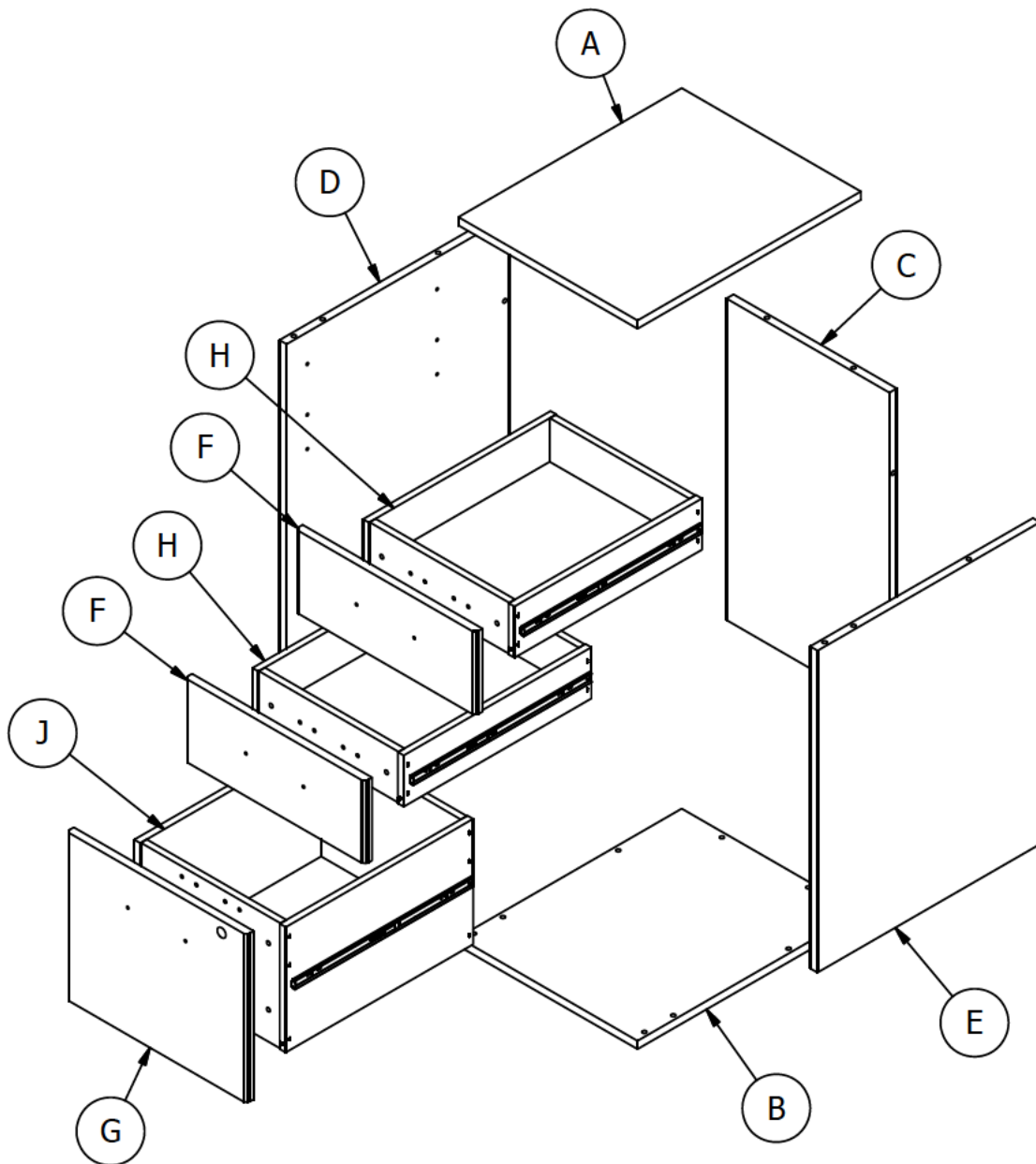
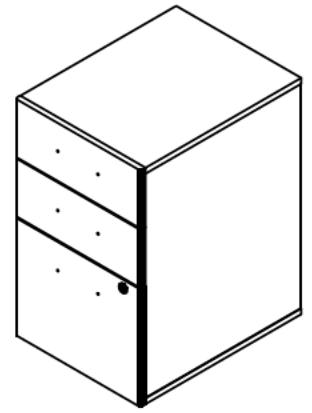


SHOP INSTRUCTIONS



PARTS LIST

WC12953SU

A	[1]	W175981
B	[1]	W218886
C	[1]	W192011
D	[1]	W218801
E	[1]	W218802
F	[2]	W213294
G	[1]	W218090
H	[2]	S218785
J	[1]	S218786

WC24453SU

A	[1]	W175996
B	[1]	W218888
C	[1]	W192020
D	[1]	W218809
E	[1]	W218810
F	[2]	W215021
G	[1]	W218091
H	[2]	S218785
J	[1]	S218786

WC36753SU

A	[1]	W176006
B	[1]	W218887
C	[1]	W192026
D	[1]	W218803
E	[1]	W218804
F	[2]	W215022
G	[1]	W218092
H	[2]	S218785
J	[1]	S218786

WC57453PSU

A	[1]	W175986
B	[1]	W218891
C	[1]	W192014
D	[1]	W218807
E	[1]	W218808
F	[2]	W215025
G	[1]	W218093
H	[2]	S218784
J	[1]	S218783

WC72453SU

A	[1]	W175996
B	[1]	W218888
C	[1]	W192020
D	[1]	W218809
E	[1]	W218810
F	[2]	W215023
G	[1]	W218094
H	[2]	S218785
J	[1]	S218786

WC84853PSU

A	[1]	W175986
B	[1]	W218891
C	[1]	W192014
D	[1]	W218807
E	[1]	W218808
F	[2]	W215028
G	[1]	W218095
H	[2]	S218784
J	[1]	S218783

WC94453PSU

A	[1]	W176031
B	[1]	W218890
C	[1]	W192032
D	[1]	W218805
E	[1]	W218806
F	[2]	W215031
G	[1]	W218096
H	[2]	S218784
J	[1]	S218783

PARTS LIST

SCF216BWSU

A	[1]	W205472
B	[1]	W218880
C	[1]	W205474
D	[1]	W218787
E	[1]	W218788
F	[2]	W215015
G	[1]	W218097
H	[2]	S218785
J	[1]	S218786

SCF216MHSU

A	[1]	W205479
B	[1]	W218881
C	[1]	W205481
D	[1]	W218791
E	[1]	W218792
F	[2]	W215016
G	[1]	W218098
H	[2]	S218785
J	[1]	S218786

SCF216PGSU

A	[1]	W191674
B	[1]	W218883
C	[1]	W191676
D	[1]	W218795
E	[1]	W218796
F	[2]	W215017
G	[1]	W218099
H	[2]	S218785
J	[1]	S218786

SCF216SGSU

A	[1]	W191887
B	[1]	W218884
C	[1]	W192038
D	[1]	W218797
E	[1]	W218798
F	[2]	W215018
G	[1]	W218100
H	[2]	S218785
J	[1]	S218786

SCF216WHSU

A	[1]	W191880
B	[1]	W218885
C	[1]	W191882
D	[1]	W218799
E	[1]	W218800
F	[2]	W215019
G	[1]	W218101
H	[2]	S218785
J	[1]	S218786

SCF216HCSU


A	[1]	W176026
B	[1]	W218889
C	[1]	W192023
D	[1]	W218789
E	[1]	W218790
F	[2]	W215021
G	[1]	W218091
H	[2]	S218785
J	[1]	S218786

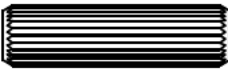
SCF216NESU


A	[1]	W216020
B	[1]	W218882
C	[1]	W216022
D	[1]	W218793
E	[1]	W218794
F	[2]	W216027
G	[1]	W218103
H	[2]	S218785
J	[1]	S218786

FASTENERS

Fasteners are shown in actual size.
los fijadores son demostrados en su tamaño actual.
les attaches sont montrées dans l'échelle grandeur.

H192100  [5]
#8 x 1/2"

H122869  [20]
Preglued Wood Dowel

H214507  [8]
M6.35 x 22.5mm

H195734  [12]
M6.3 X 13MM

HARDWARE

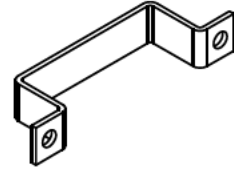
H214977



DWR Bracket

[1]

H210278



DWR Bracket

[1]

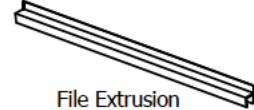
H214860



Lock Assy

[1]

H94928



File Extrusion
12" (304mm)

[1]

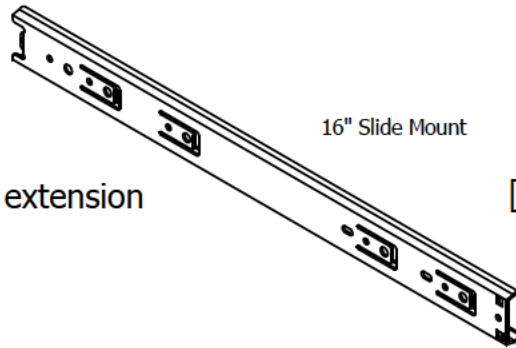
H215921



Bezel

[1]

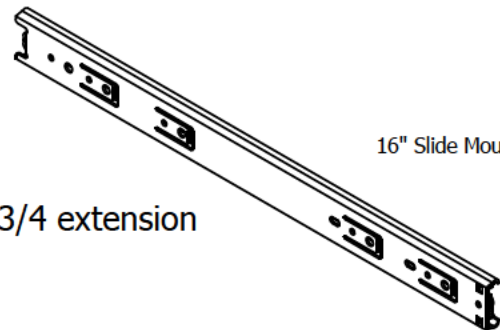
H216348 full extension



16" Slide Mount

[2]

Q216351 3/4 extension

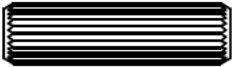


16" Slide Mount

[4]

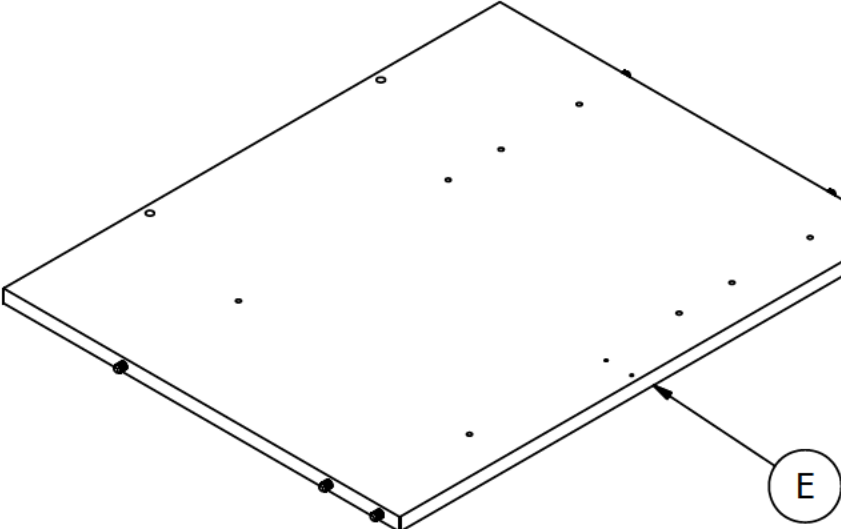
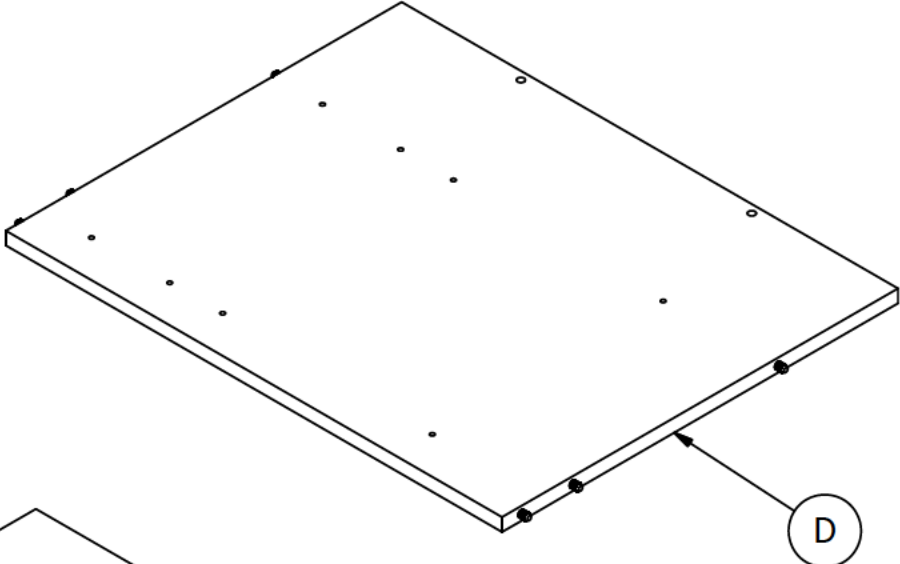
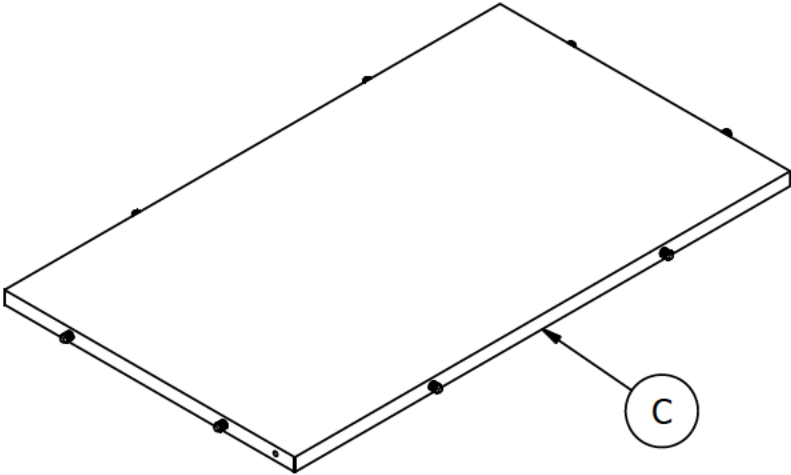
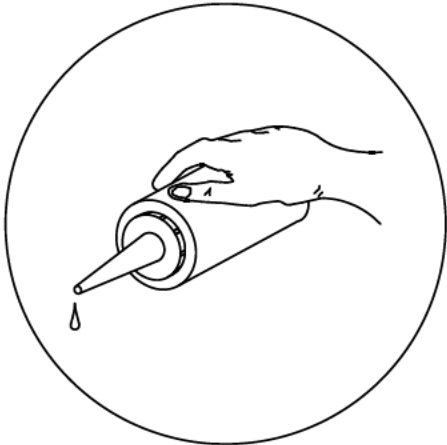
STEP 1

H122869





[20]

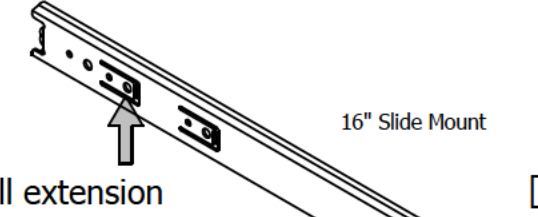
Preglued Wood Dowel

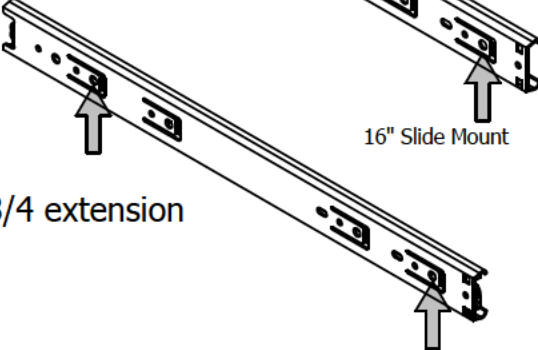


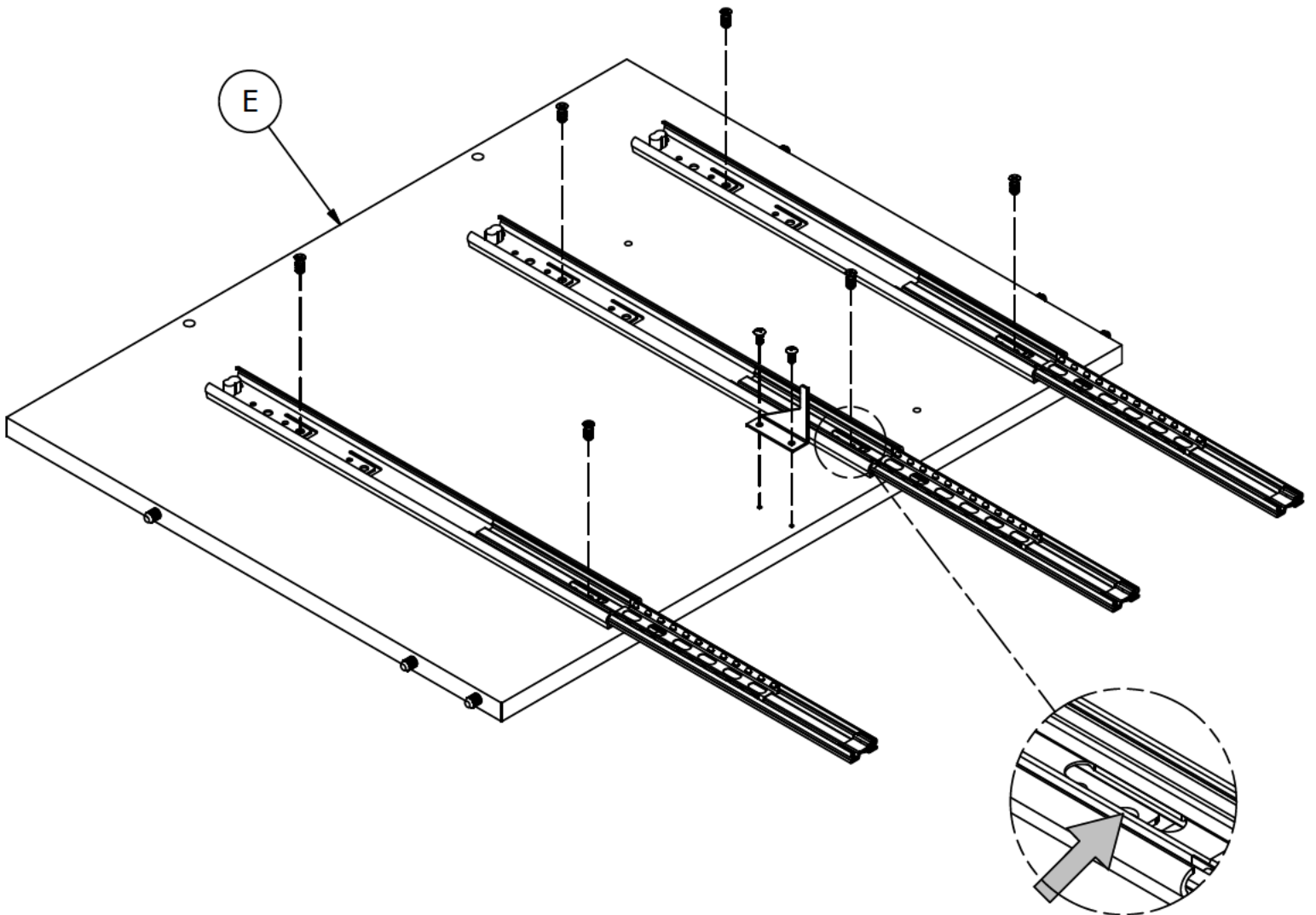
STEP 3

H192100  [8]
#8 x 1/2"


H214977  [1]
DWR Bracket

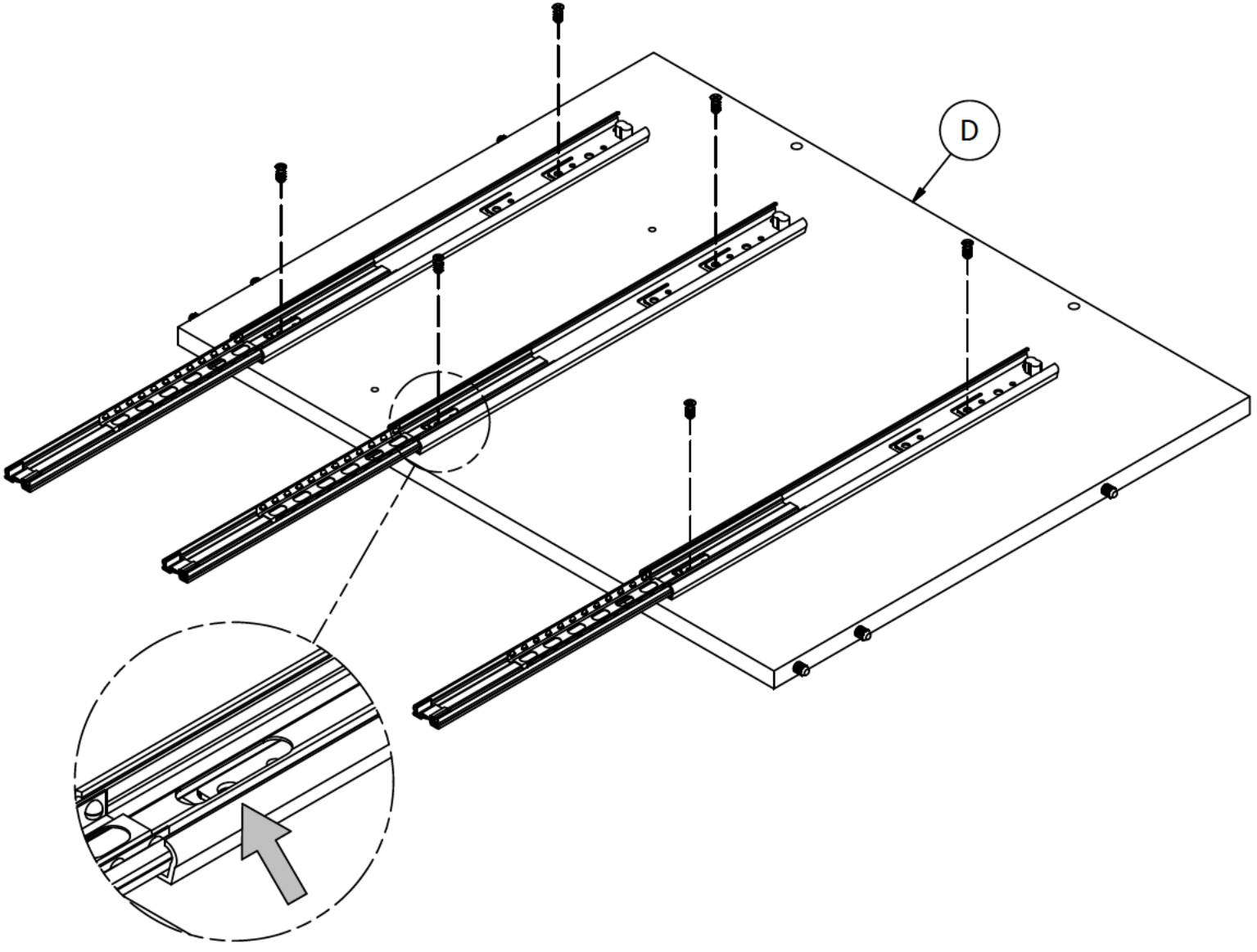
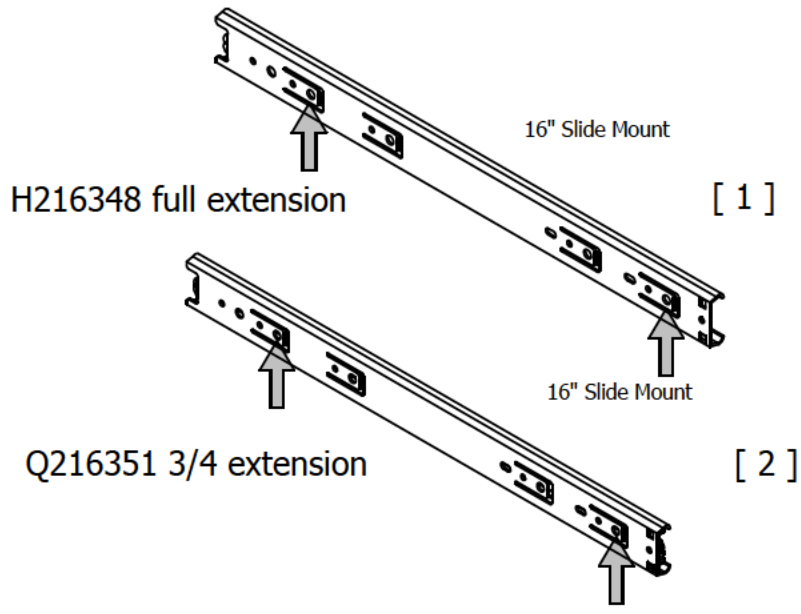
H216348 full extension  [1]
16" Slide Mount

Q216351 3/4 extension  [2]
16" Slide Mount

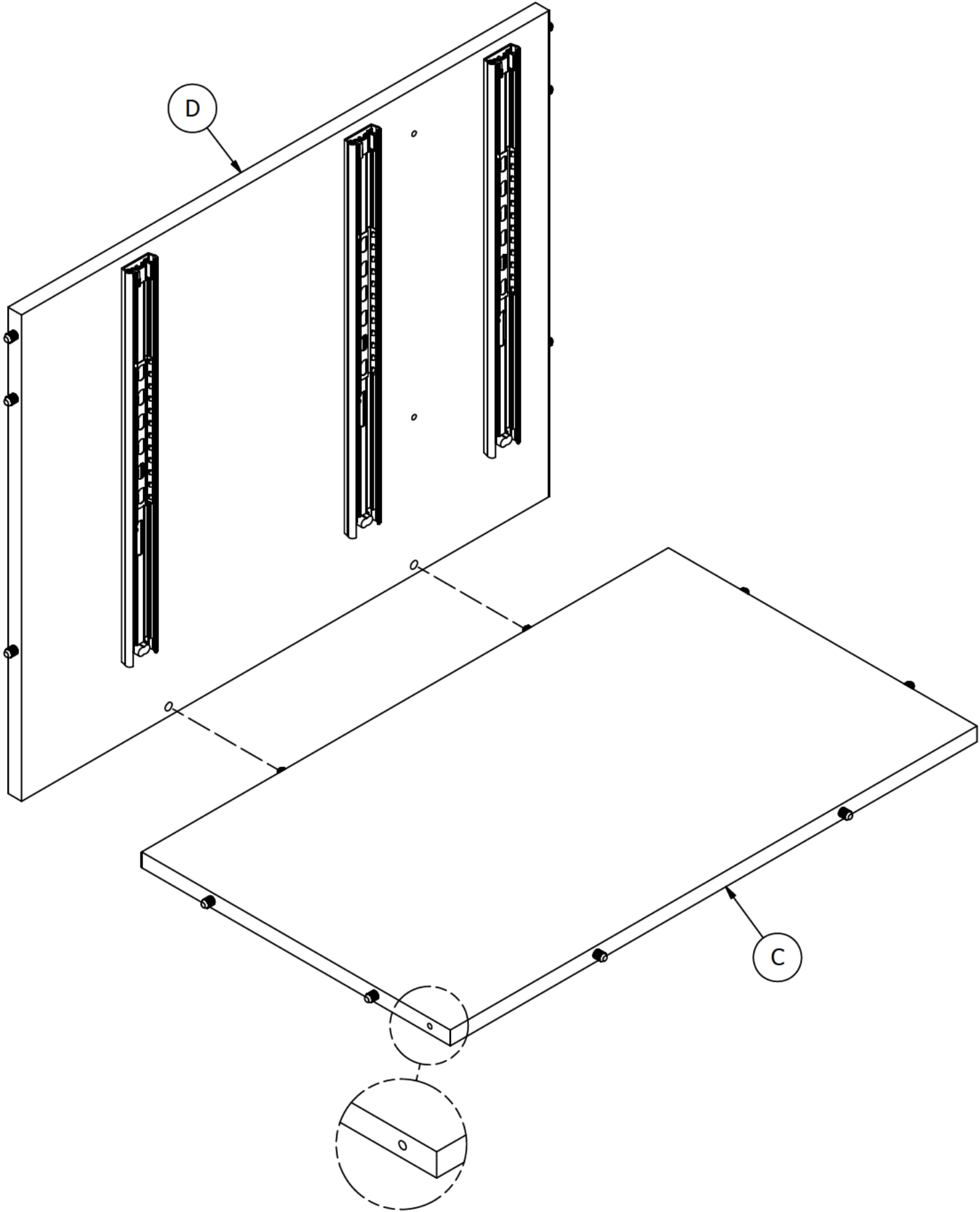


STEP 2

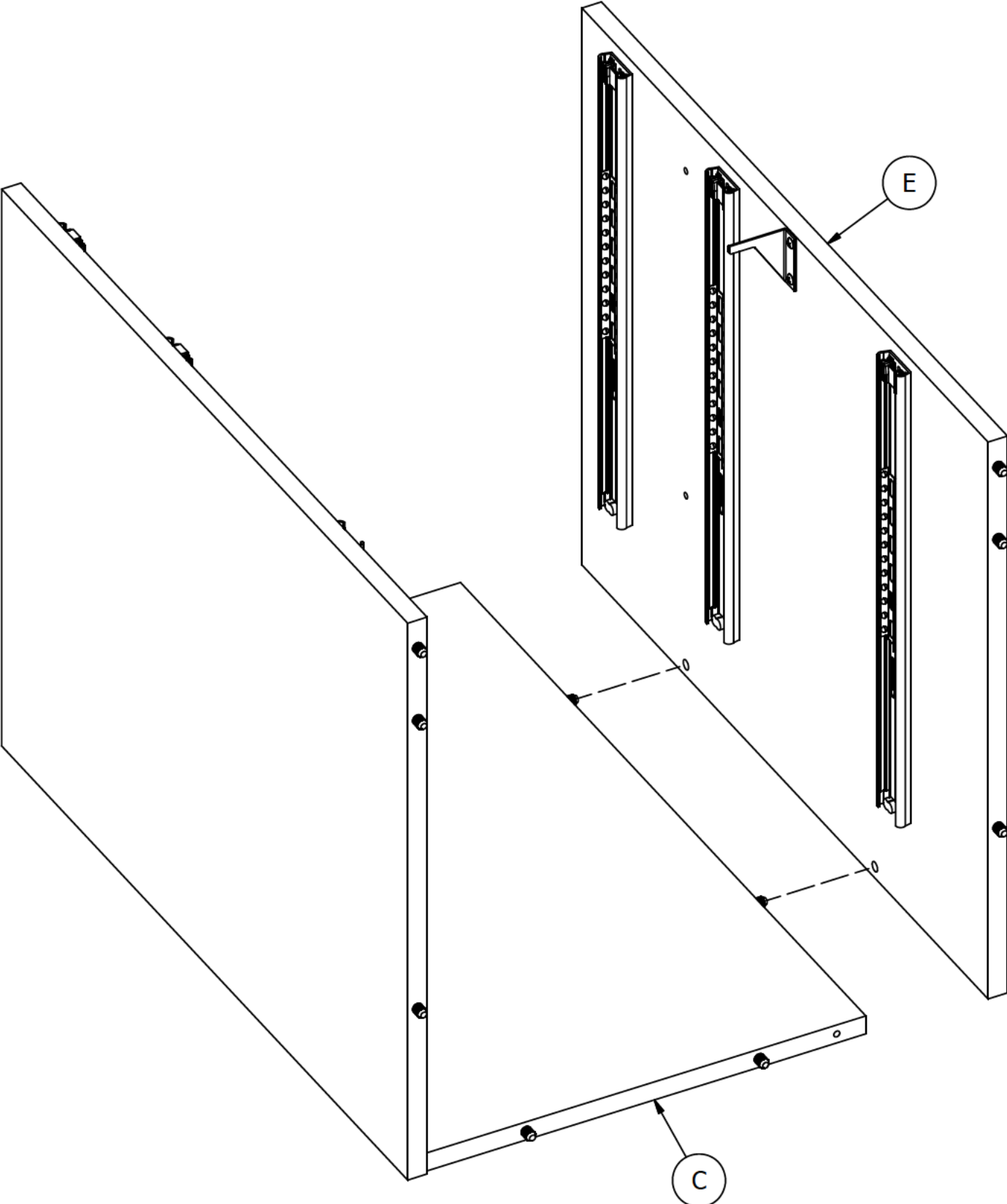
H195734  [6]
M6.3 X 13MM



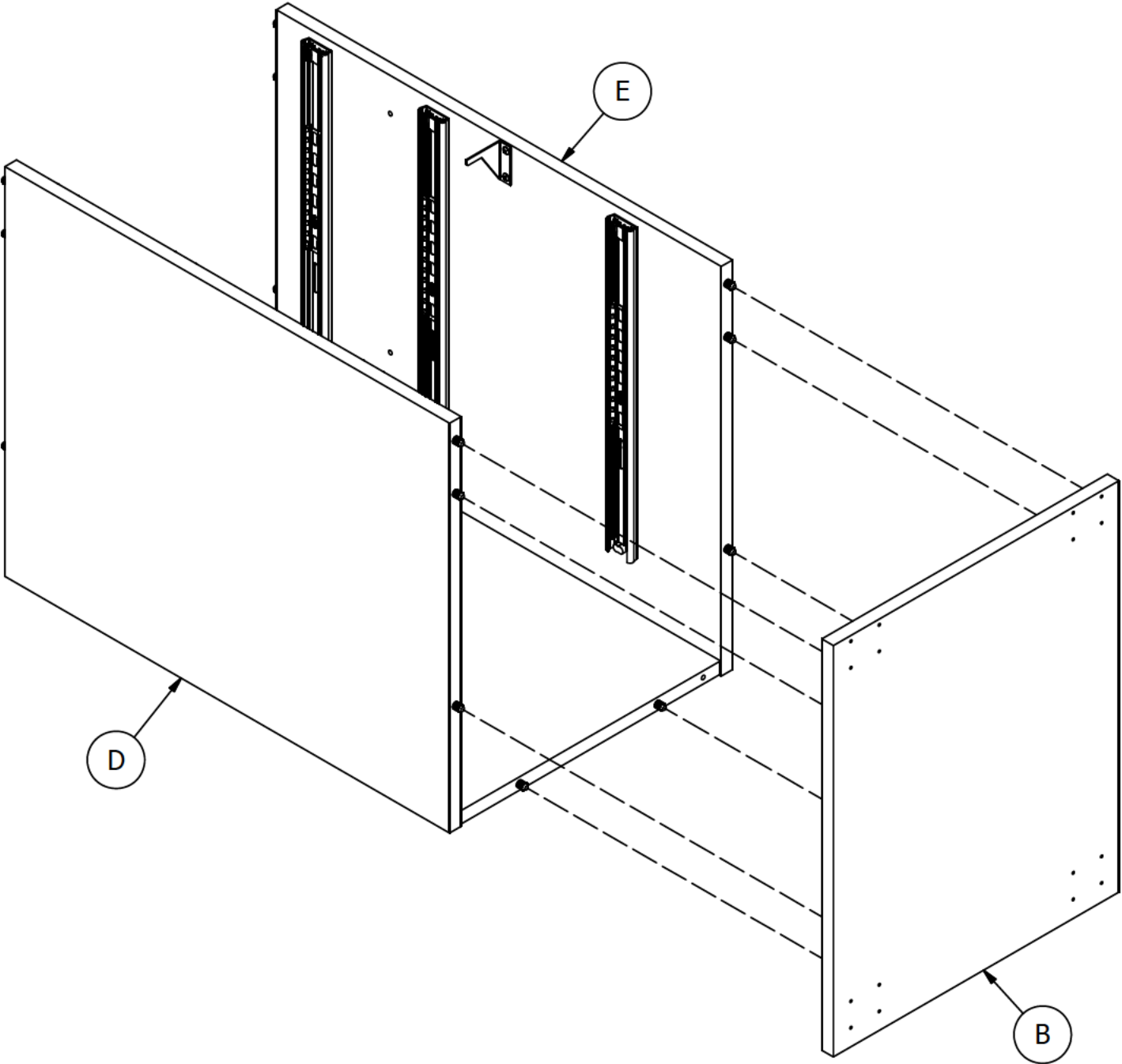
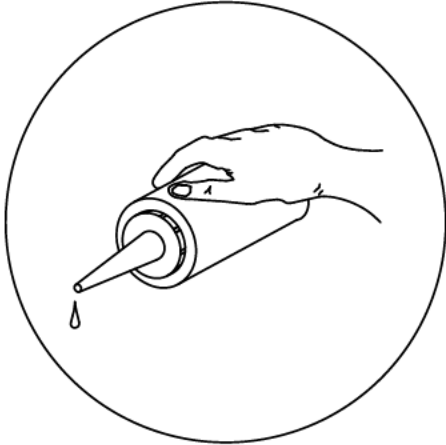
STEP 4

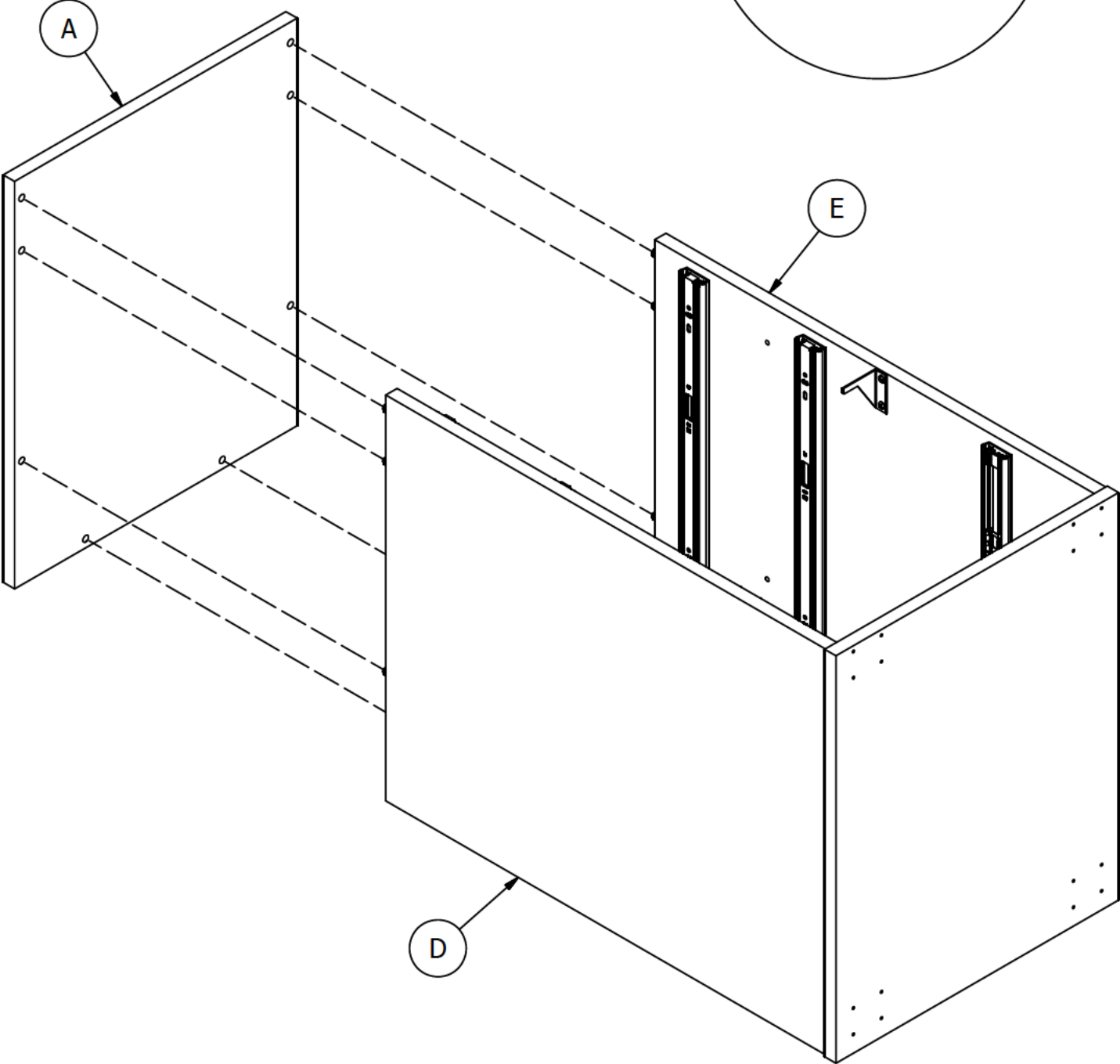
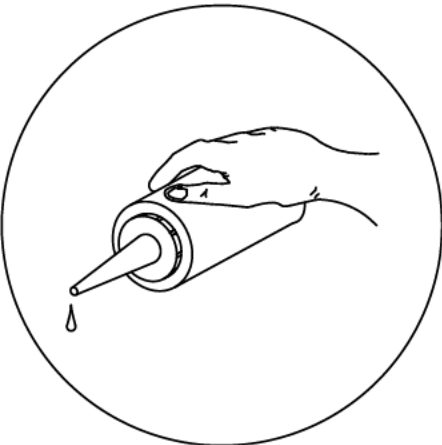


STEP 5



STEP 6

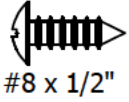




CLAMP CASE FOR 45 SECONDS

STEP 8

H192100



[1]

#8 x 1/2"

H214860



[1]

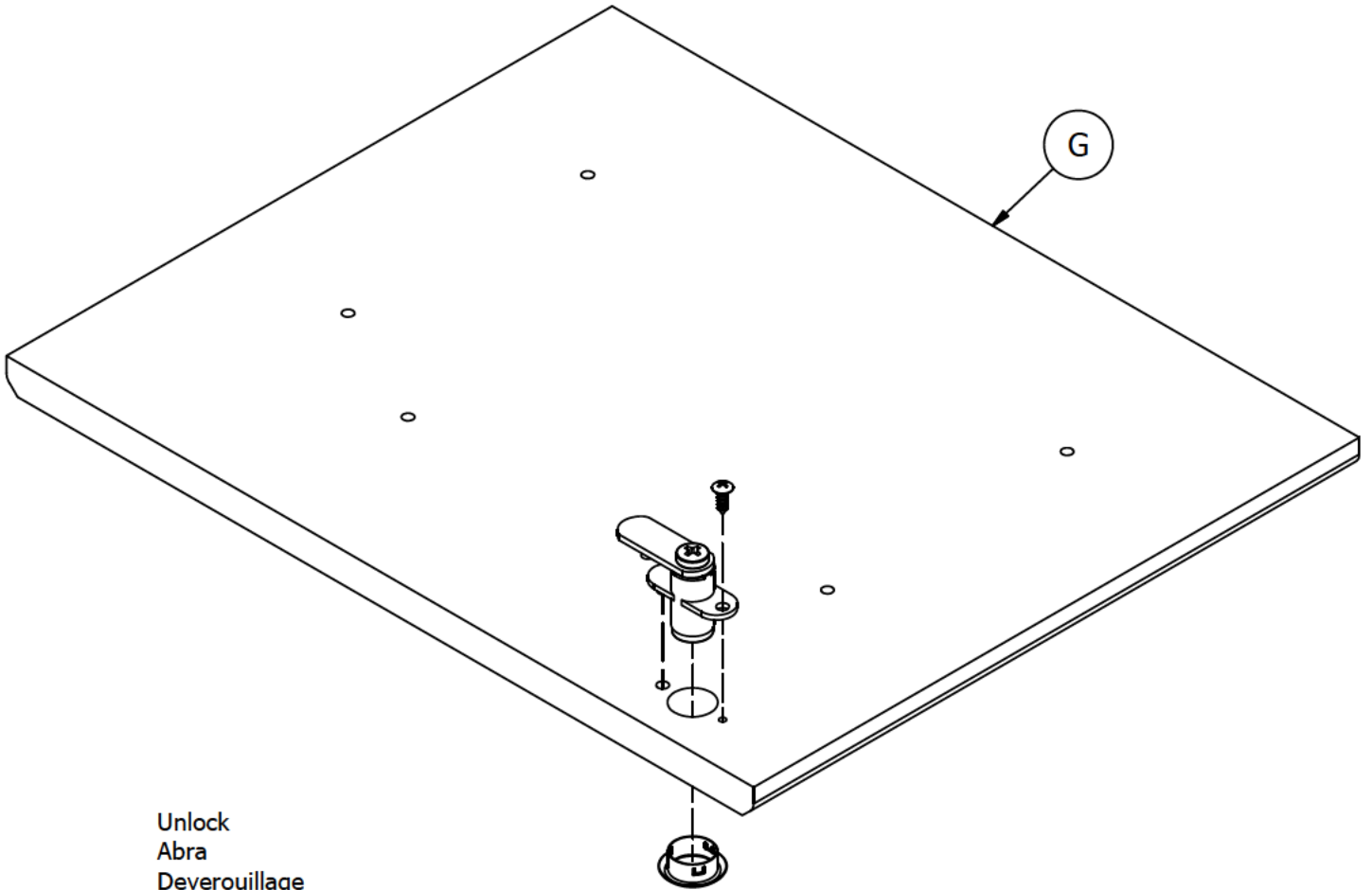
Lock Assy

H215921

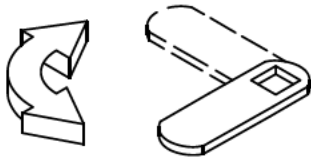


[1]

Bezel



Unlock
Abra
Deverouillage

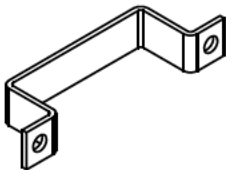


Lock
Cierre con llave
Verouillage

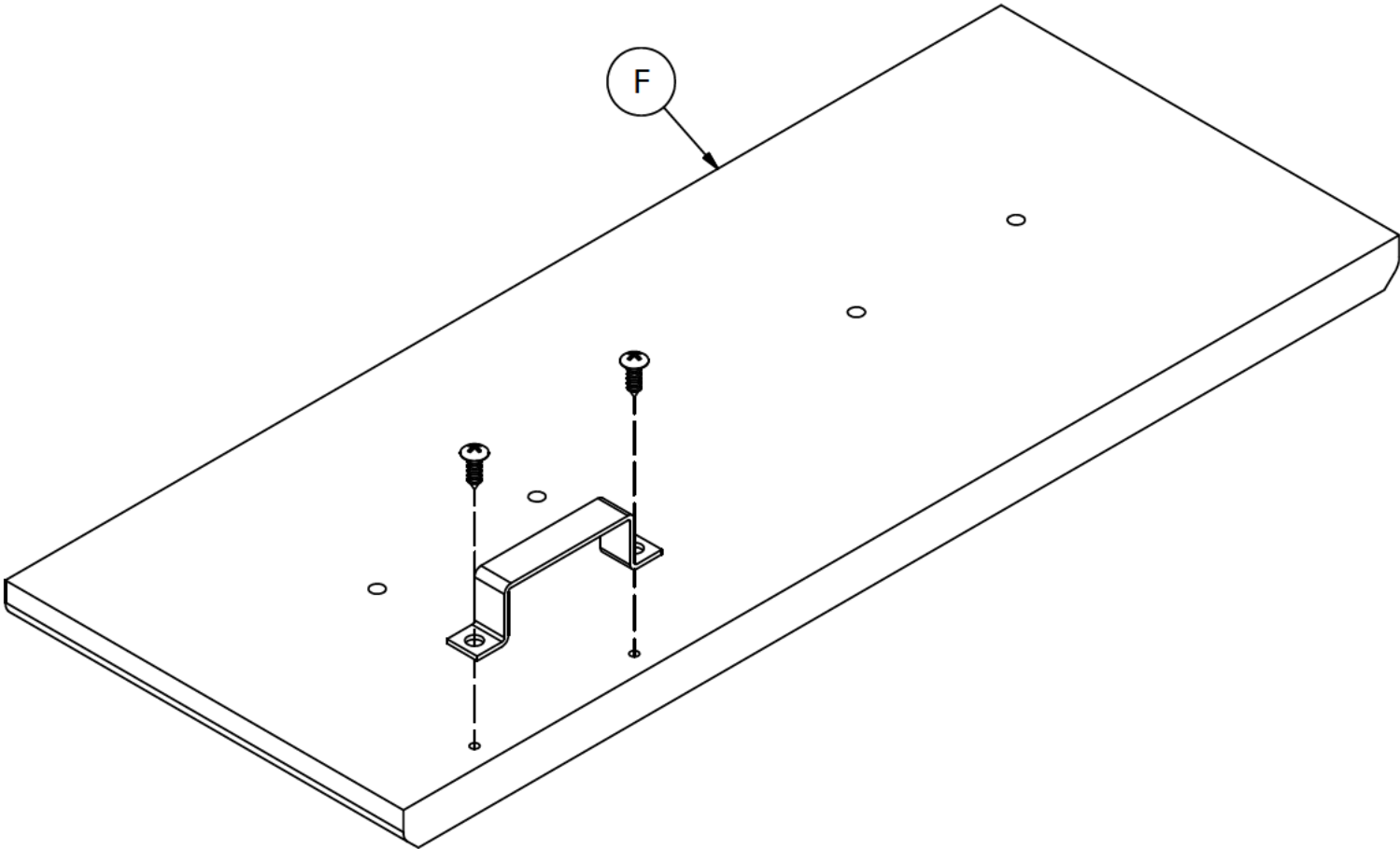
STEP 9

H192100 [2]
#8 x 1/2"

H210278 [1]



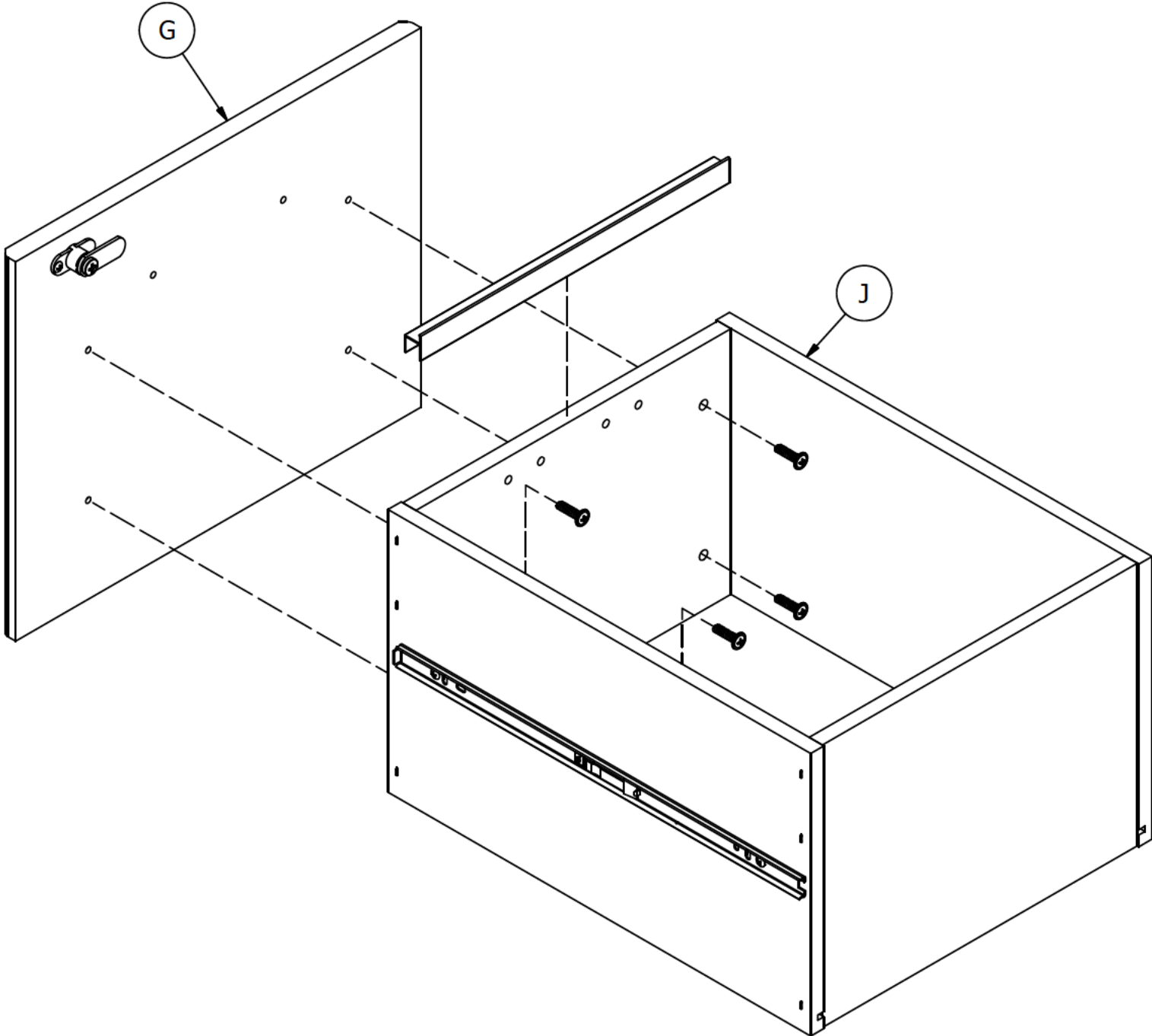
DWR Bracket



STEP 10

H214507 [4]
M6.35 x 22.5mm

H94928 [1]
File Extrusion
12" (304mm)



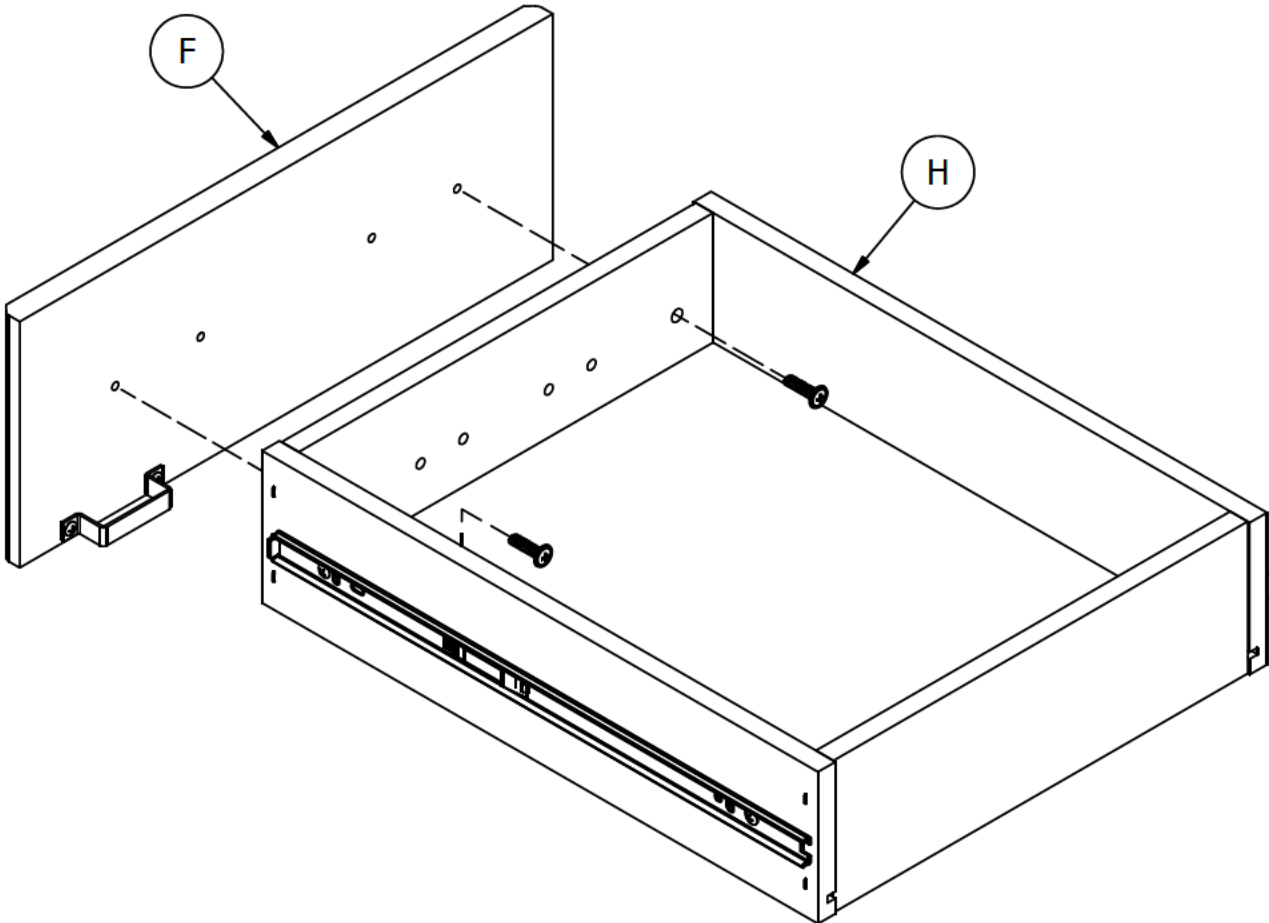
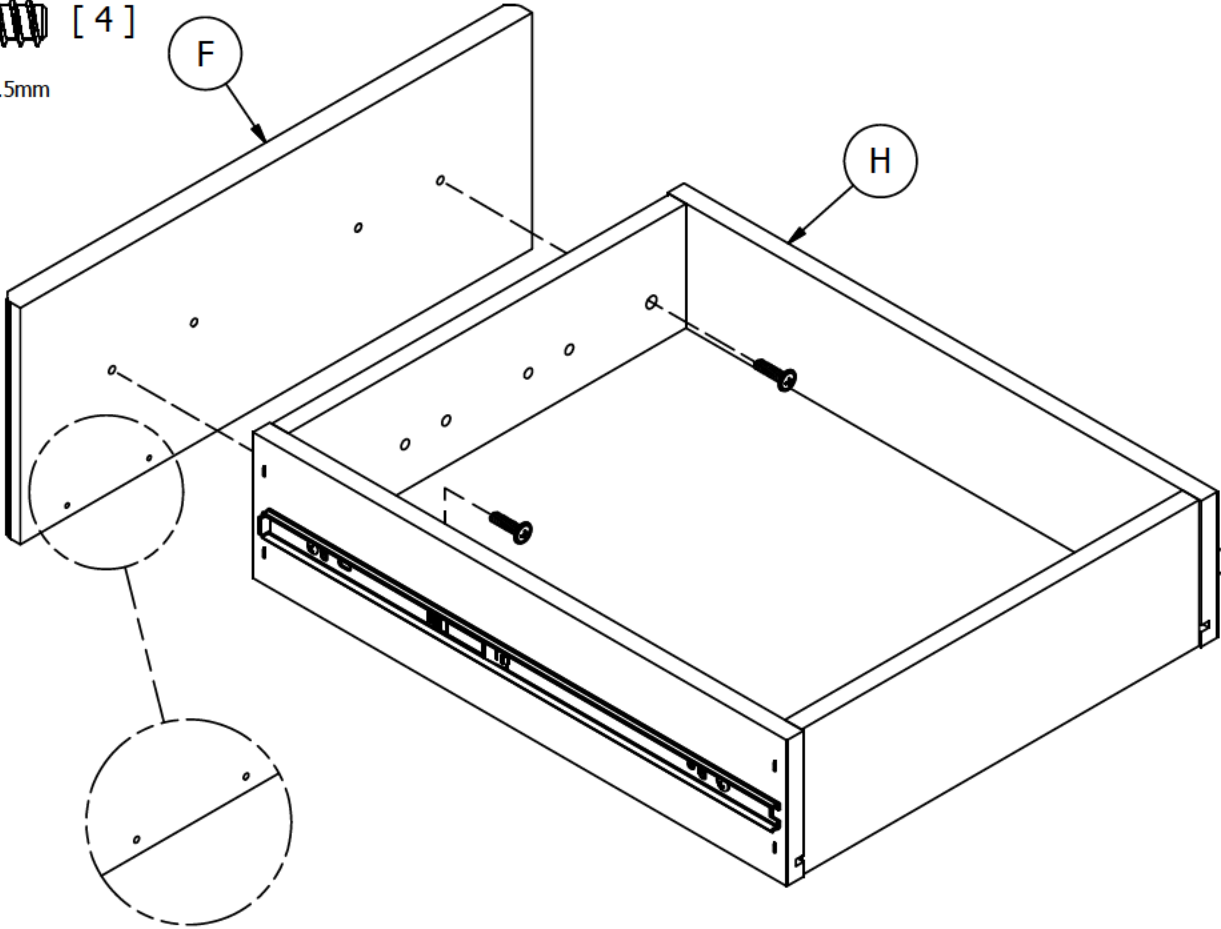
STEP 11

H214507



[4]

M6.35 x 22.5mm



STEP 12

