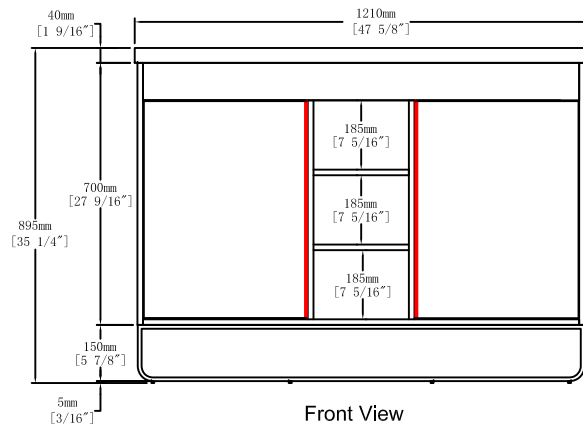
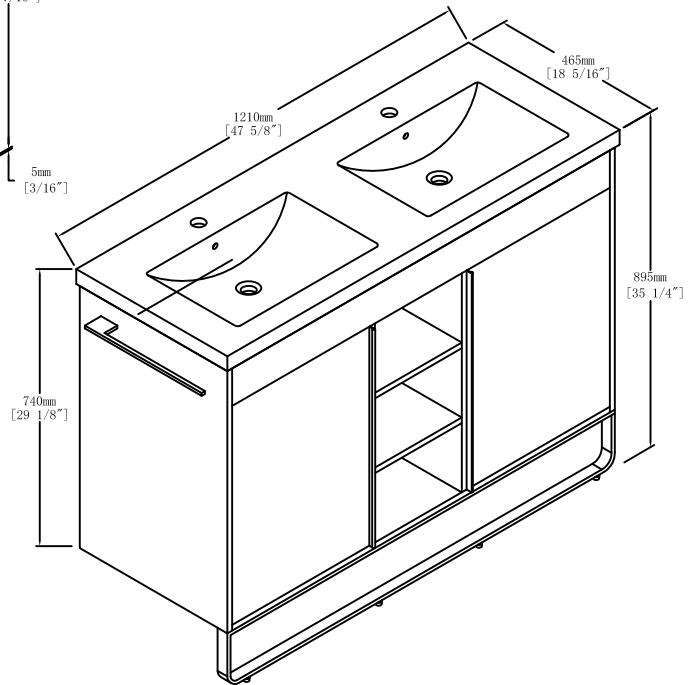
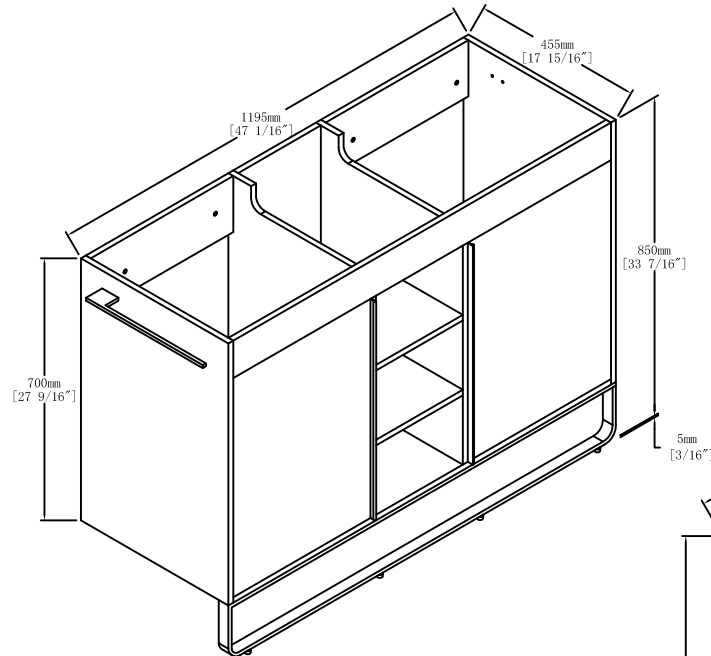
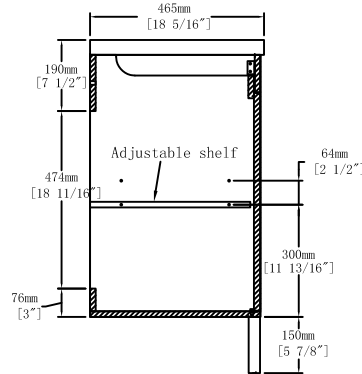


Top View



Front View



Side View



Item NO.

BV B12948D

Version V1

Project

Date 2025-7-2