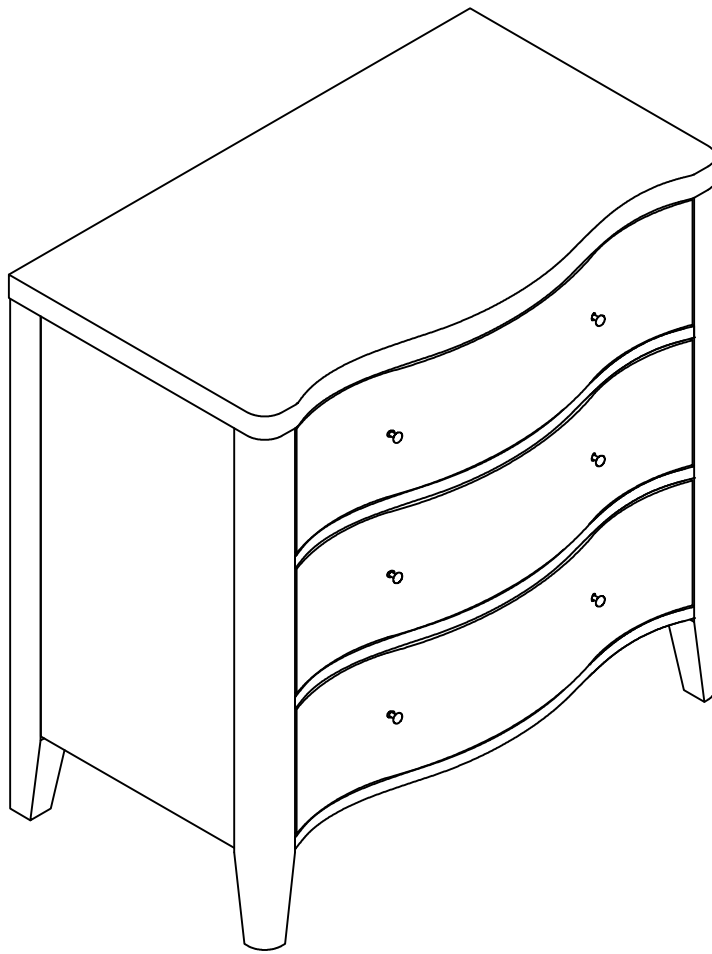
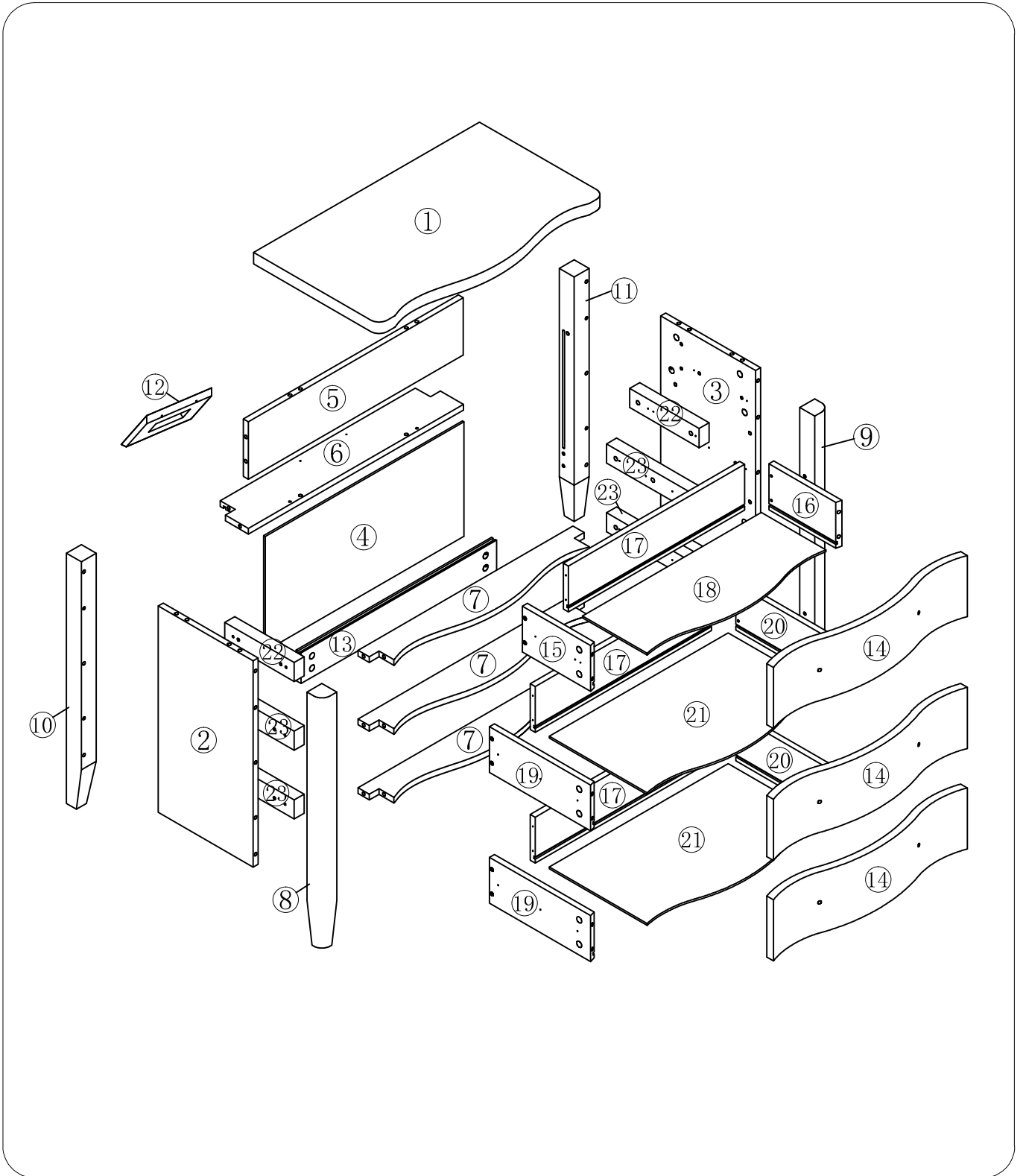
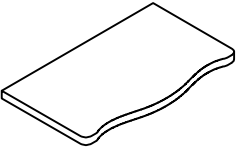
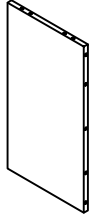
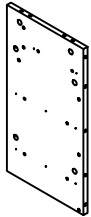
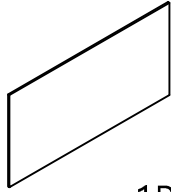
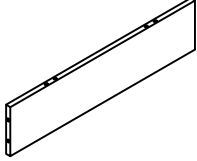
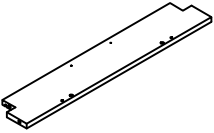
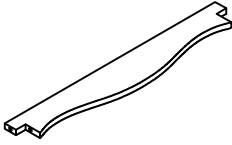


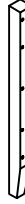

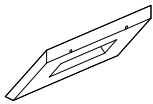
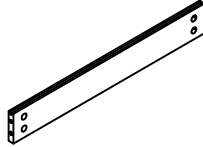
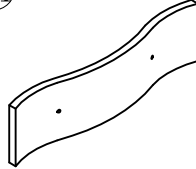
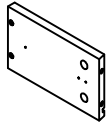
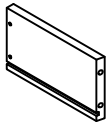
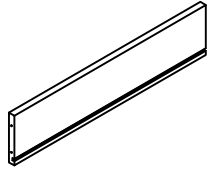
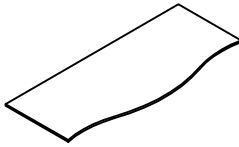
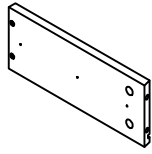
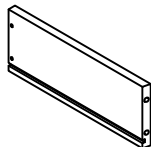
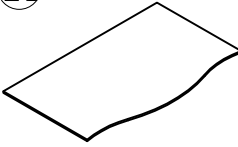
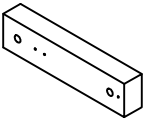
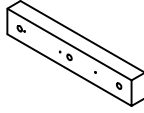


Assembly Instruction


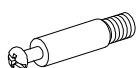

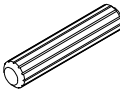
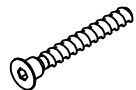
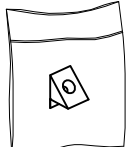
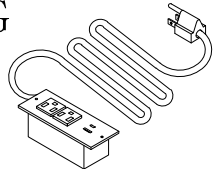

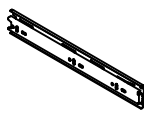

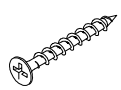
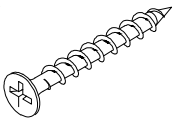

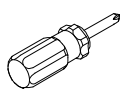
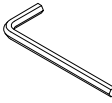




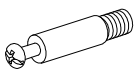
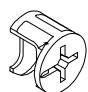
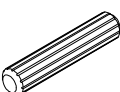
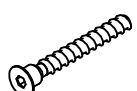
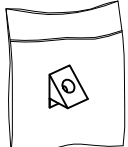

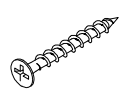
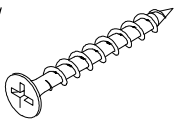
HARDWARE LIST

<p>①</p>  <p>1PC</p>	<p>②</p>  <p>1PC</p>	<p>③</p>  <p>1PC</p>	<p>④</p>  <p>1PC</p>	<p>⑤</p>  <p>1PC</p>
<p>⑥</p>  <p>1PC</p>	<p>⑦</p>  <p>3PC</p>	<p>⑧</p>  <p>1PC</p>	<p>⑨</p>  <p>1PC</p>	<p>⑩</p>  <p>1PC</p>
<p>⑪</p>  <p>1PC</p>	<p>⑫</p>  <p>1PC</p>	<p>⑬</p>  <p>1PC</p>	<p>⑭</p>  <p>3PC</p>	<p>⑮</p>  <p>1PC</p>
<p>⑯</p>  <p>1PC</p>	<p>⑰</p>  <p>3PC</p>	<p>⑱</p>  <p>1PC</p>	<p>⑲</p>  <p>2PC</p>	<p>⑳</p>  <p>2PC</p>
<p>㉑</p>  <p>2PC</p>	<p>㉒</p>  <p>2PC</p>	<p>㉓</p>  <p>4PC</p>		

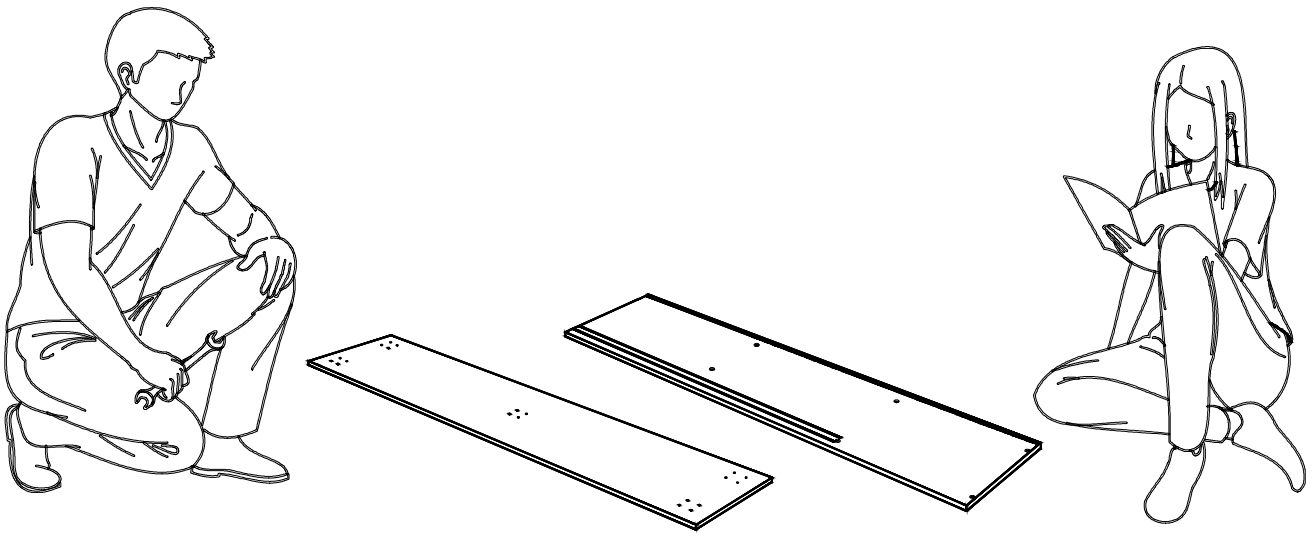
HARDWARE LIST

<p>A</p>  <p>M4x25</p> <p>6PCS</p>	<p>B</p>  <p>6x40mm</p> <p>40PCS</p>	<p>C</p>  <p>Ø15*12mm</p> <p>40PCS</p>	<p>D</p>  <p>8x30mm</p> <p>42PCS</p>	<p>E</p>  <p>M6x50mm</p> <p>2PCS</p>
<p>F</p>  <p>6PCS</p>	<p>G</p>  <p>1PCS</p>	<p>H</p>  <p>2PCS</p>	<p>I</p>  <p>4PCS</p>	<p>J</p>  <p>#3x14mm</p> <p>56PCS</p>
<p>K</p>  <p>#8*1"mm</p> <p>4PCS</p>	<p>L</p>  <p>#8*1-1/4"mm</p> <p>28PCS</p>	<p>M</p>  <p>2PCS</p>	<p>N</p>  <p>1PCS</p>	<p>O</p>  <p>1PCS</p>

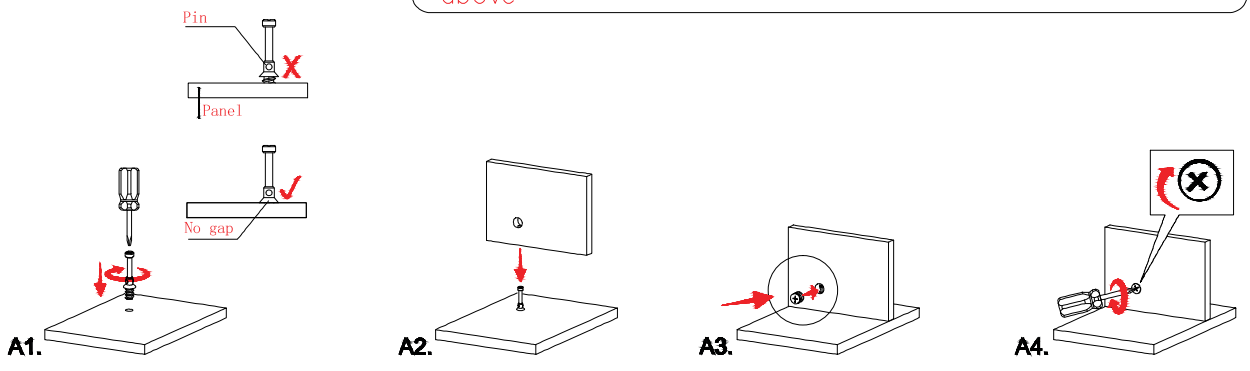
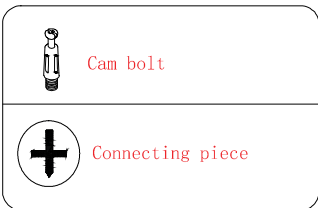
HARDWARE SPARE LIST

<p>B</p>  <p>6x40mm</p> <p>2PCS</p>	<p>C</p>  <p>Ø15*12mm</p> <p>2PCS</p>	<p>D</p>  <p>8x30mm</p> <p>2PCS</p>	<p>E</p>  <p>M6x50mm</p> <p>1PCS</p>	<p>F</p>  <p>1PCS</p>
<p>J</p>  <p>#3x14mm</p> <p>4PCS</p>	<p>K</p>  <p>#8*1"mm</p> <p>1PCS</p>	<p>L</p>  <p>#8*1-1/4"mm</p> <p>2PCS</p>		

This furniture requires two people to assemble and move.
 Make sure no parts missing or damaged before assembly.





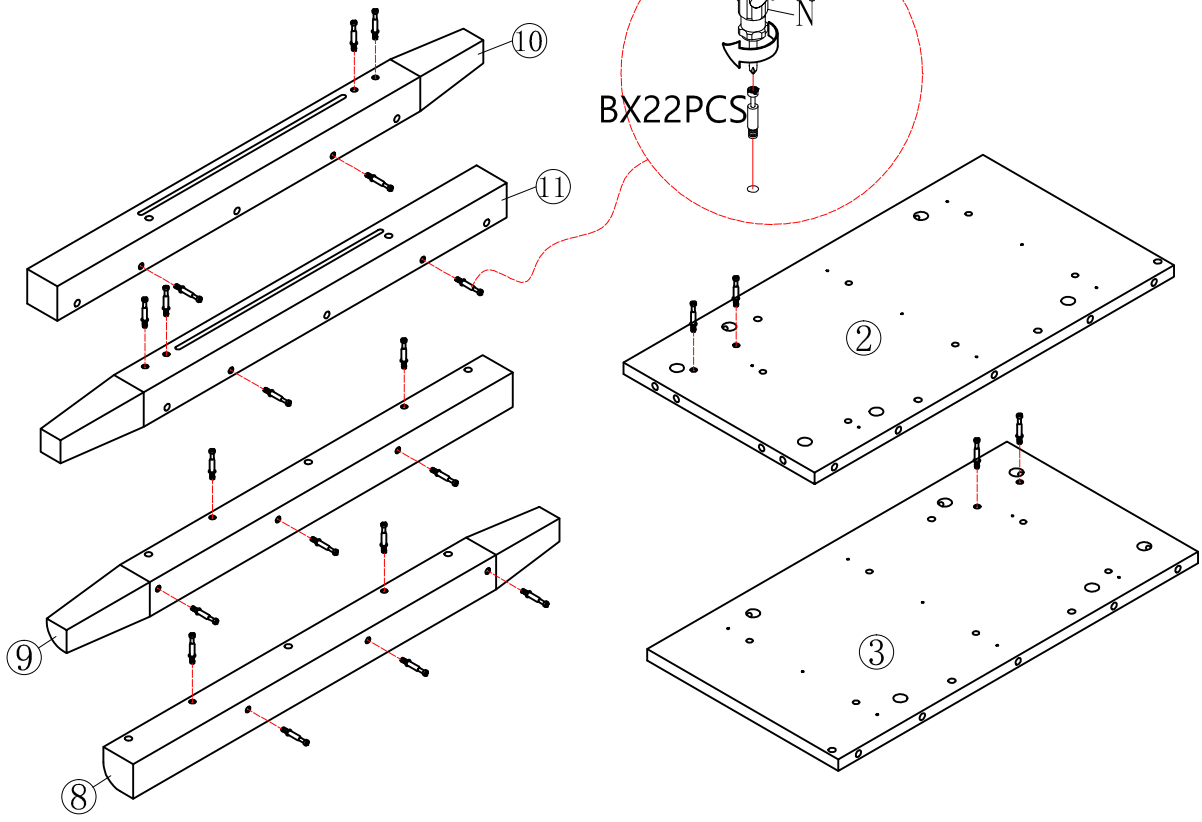
CAM BOLT INSTALLATION AS BELOW






STEPS

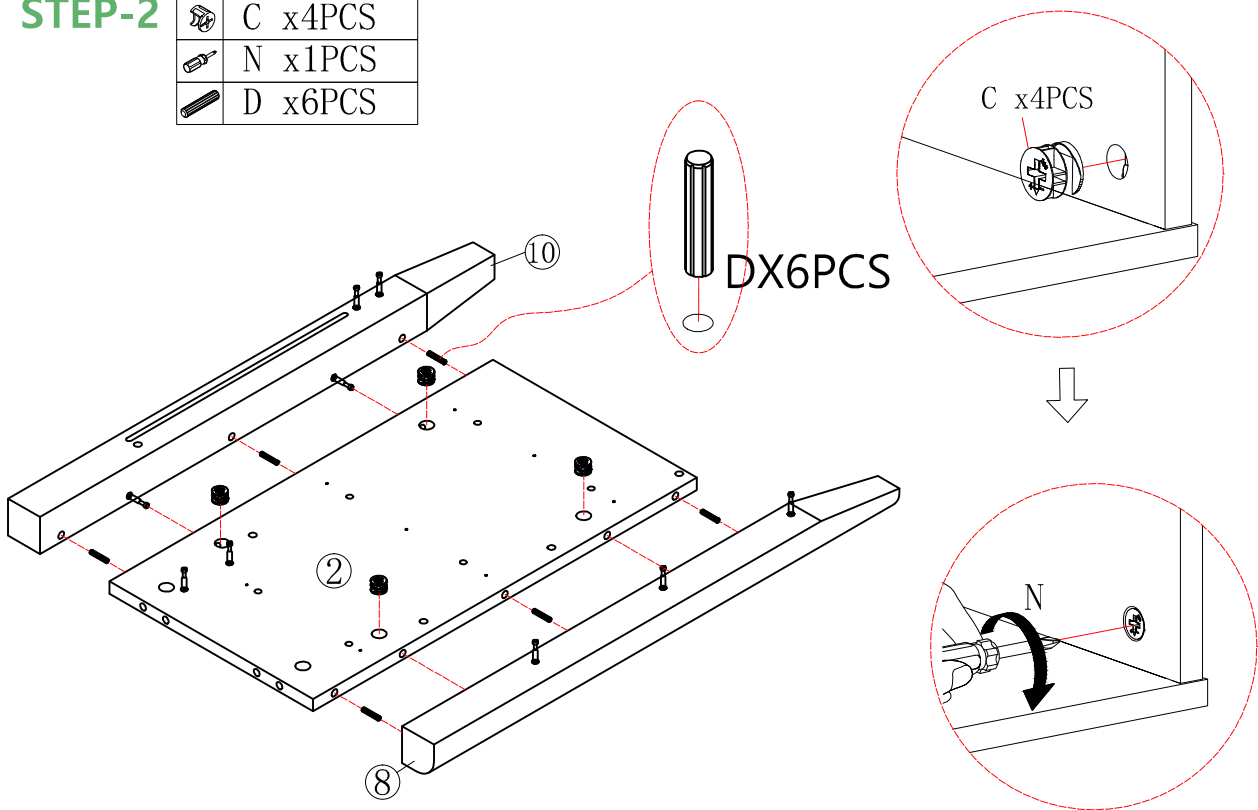
STEP-1

- | | | | |
|---|----------|---|---------|
|  | B x22PCS |  | N x1PCS |
|---|----------|---|---------|





STEP-2

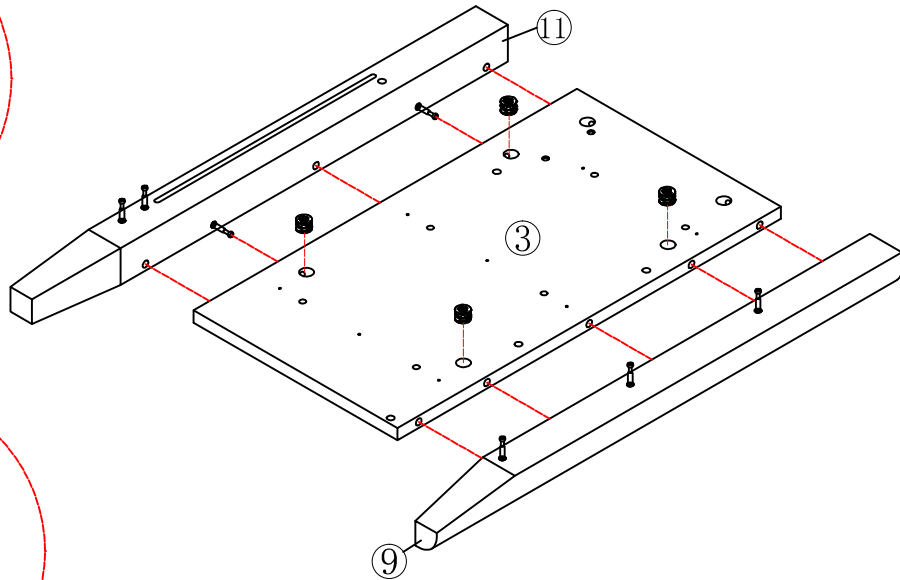
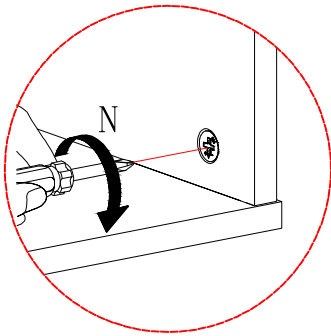
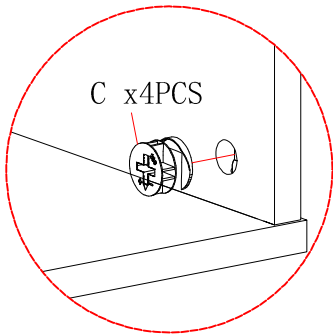
- | | |
|---|---------|
|  | C x4PCS |
|  | N x1PCS |
|  | D x6PCS |



STEPS

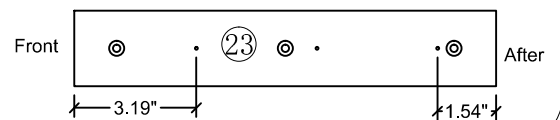
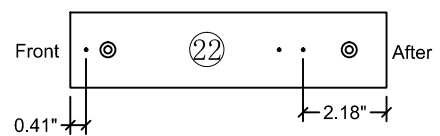
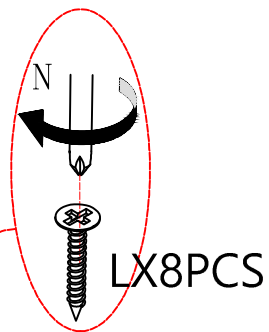
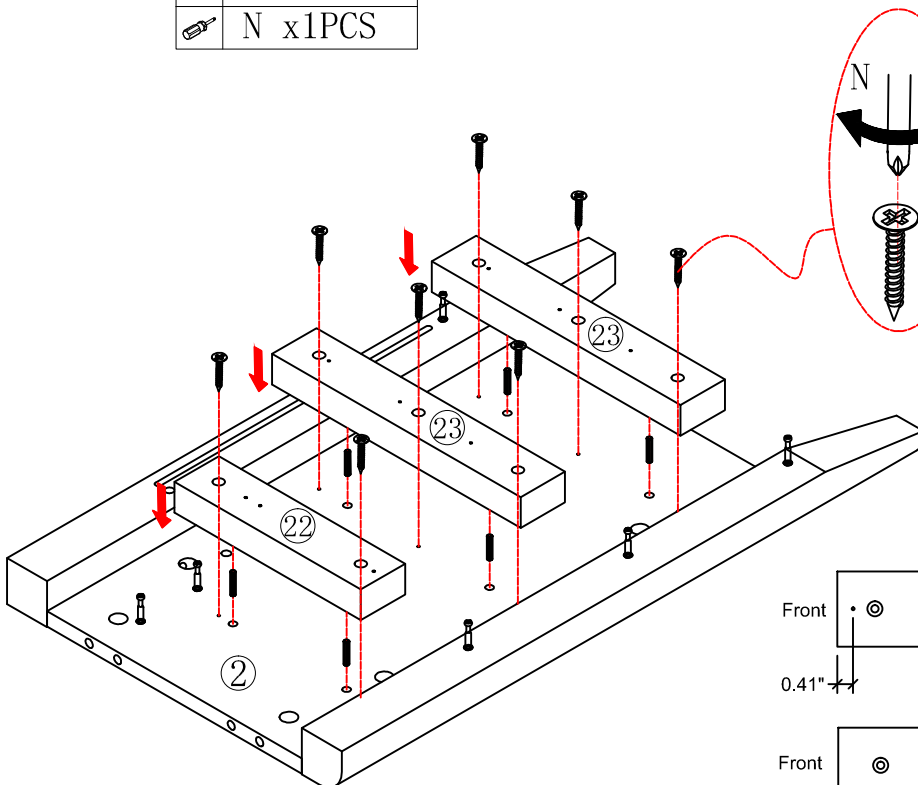
STEP-3

	C x4PCS
	N x1PCS



STEP-4

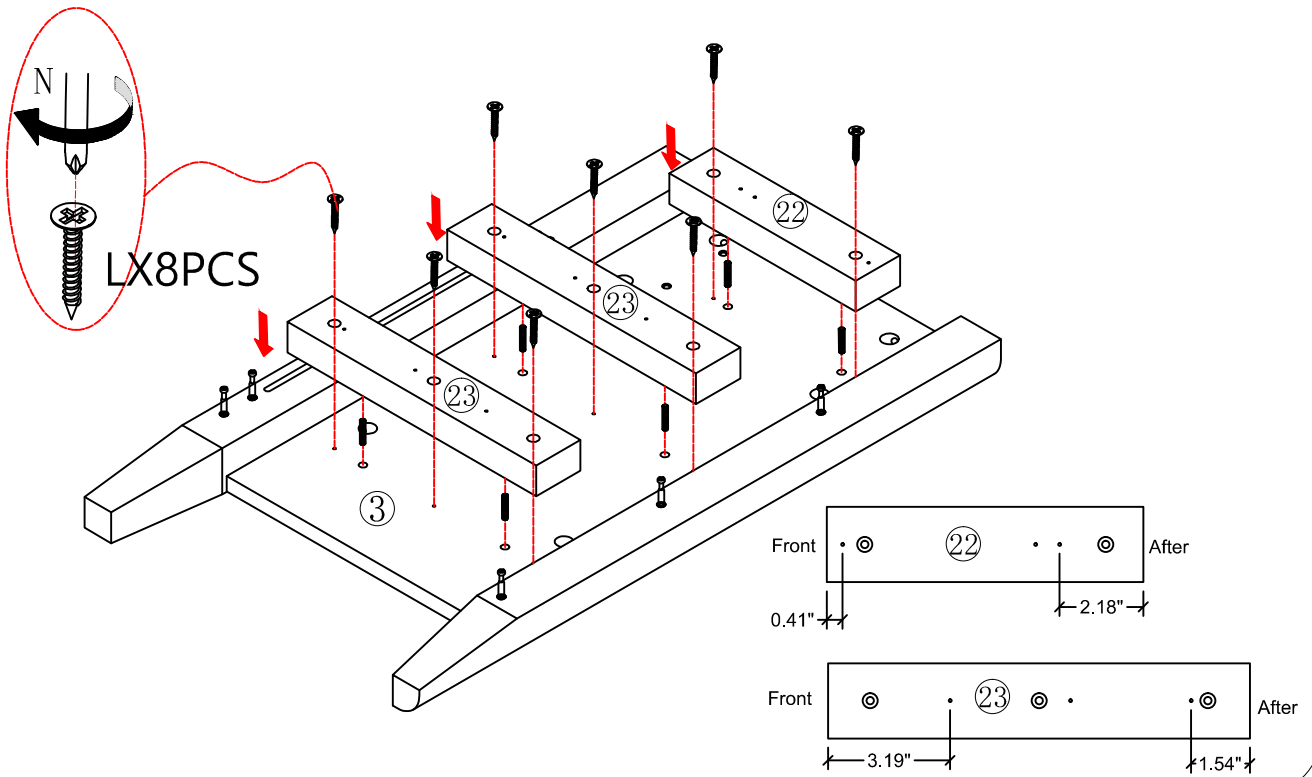
	L x8PCS
	N x1PCS



STEPS

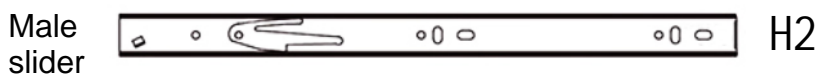
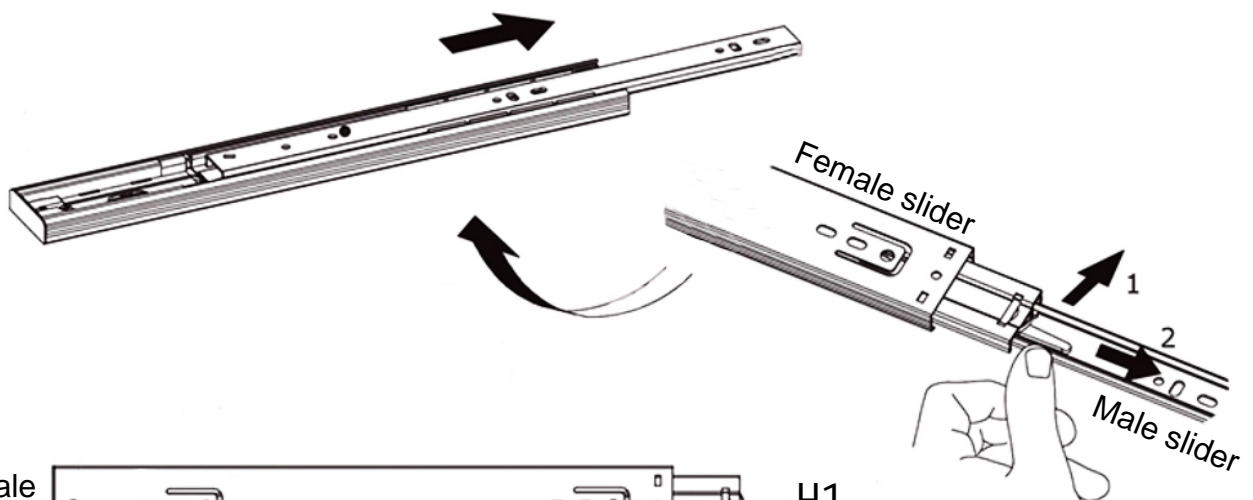
STEP-5

	L x8PCS
	N x1PCS



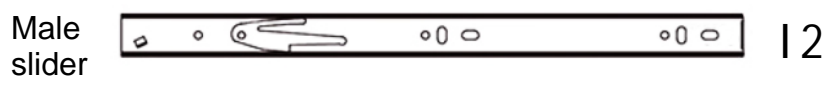
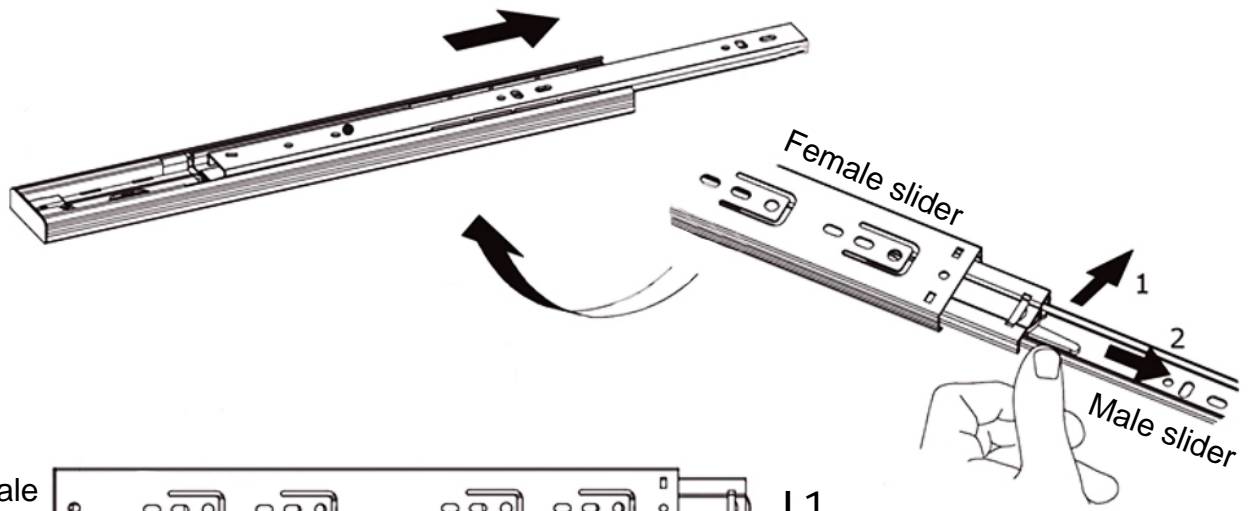
STEP-6

	H x2PCS
---	---------

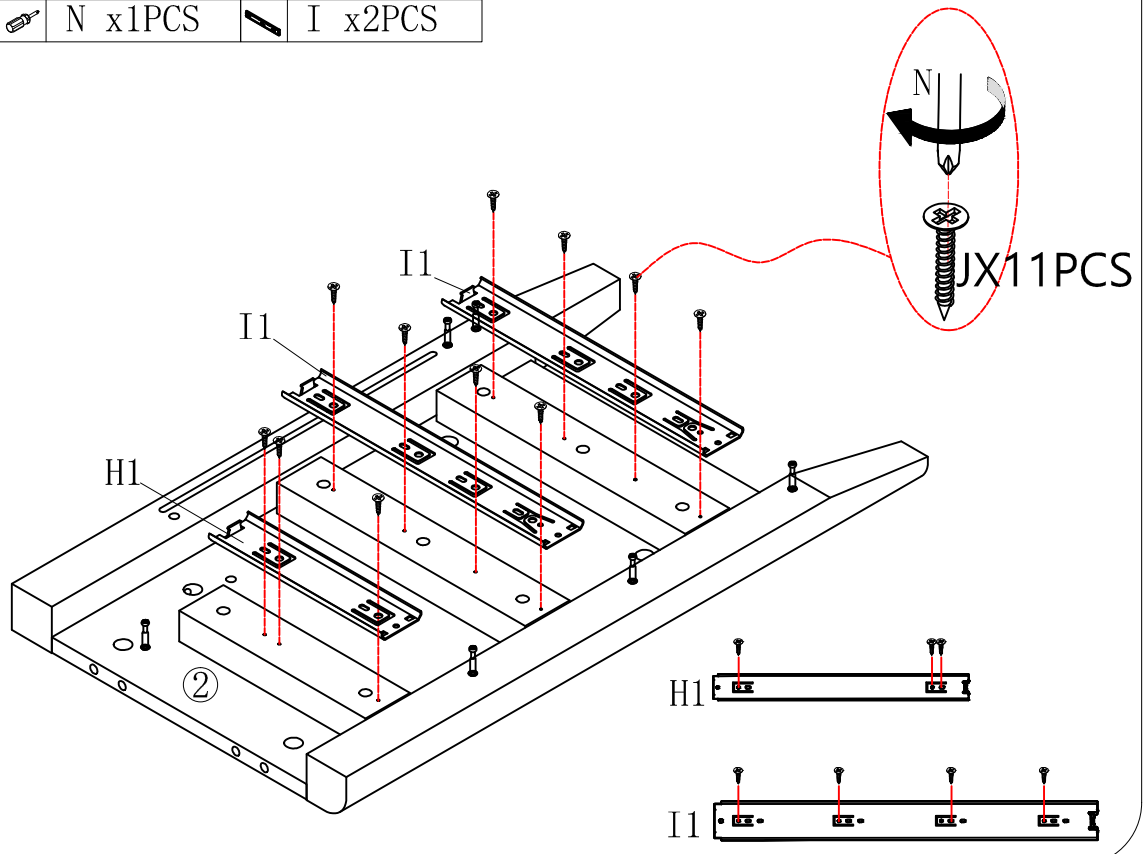


STEPS

STEP-7 I x4PCS




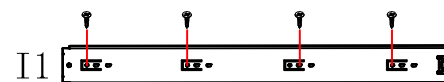
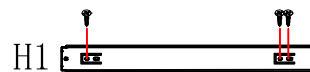
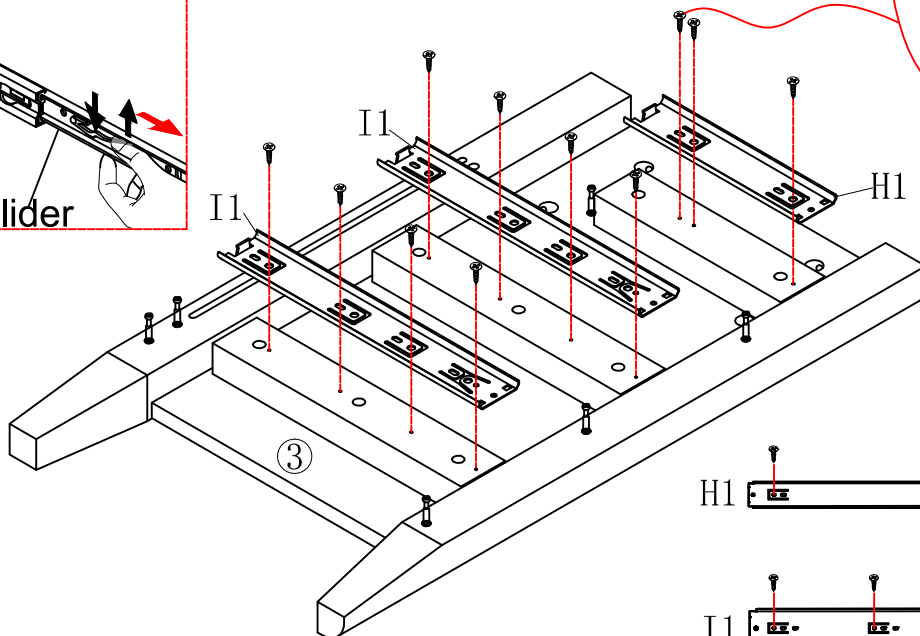
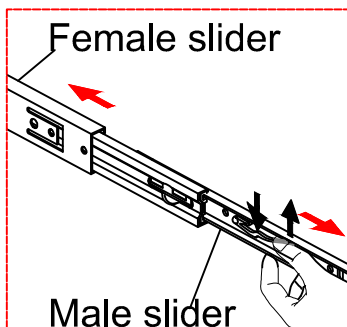
STEP-8 | | | |--|---| |  J x11PCS |  H x1PCS | |  N x1PCS |  I x2PCS |






STEPS

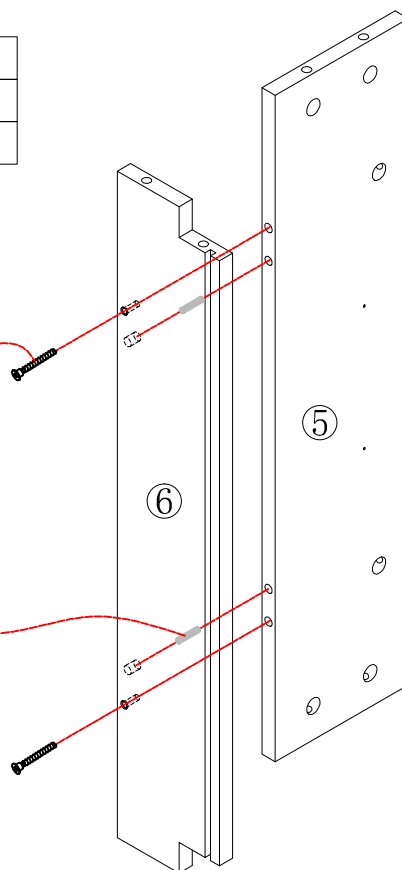
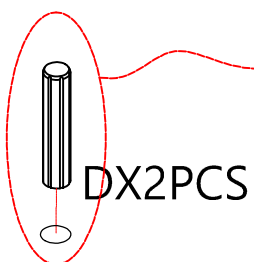
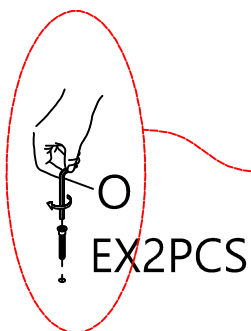
STEP-9

	J x11PCS		H x1PCS
	N x1PCS		I x2PCS






STEP-10

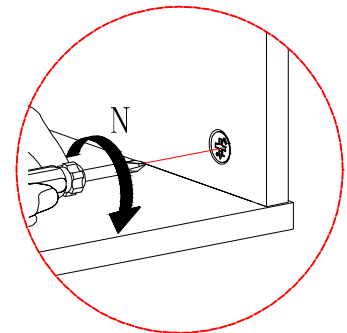
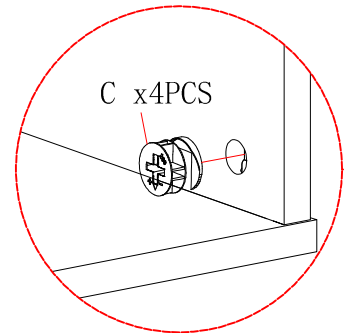
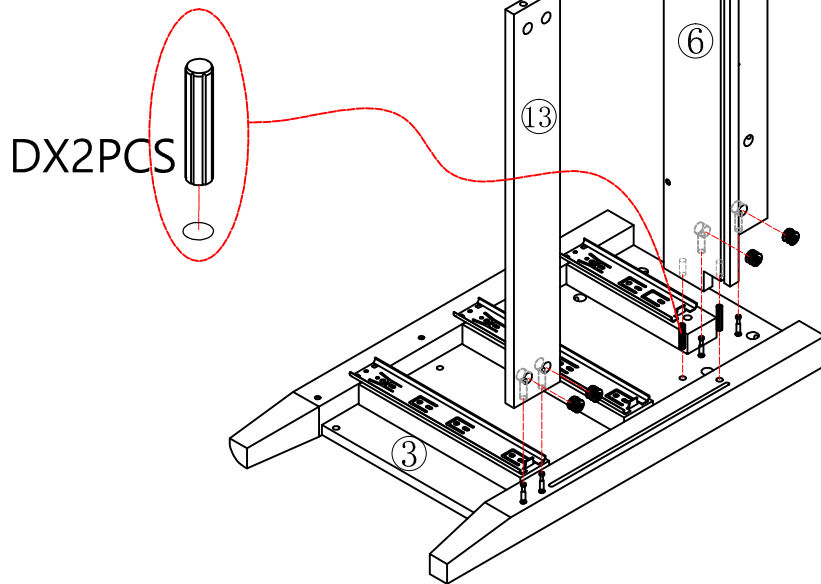
	E x2PCS		O x1PCS
	D x2PCS		



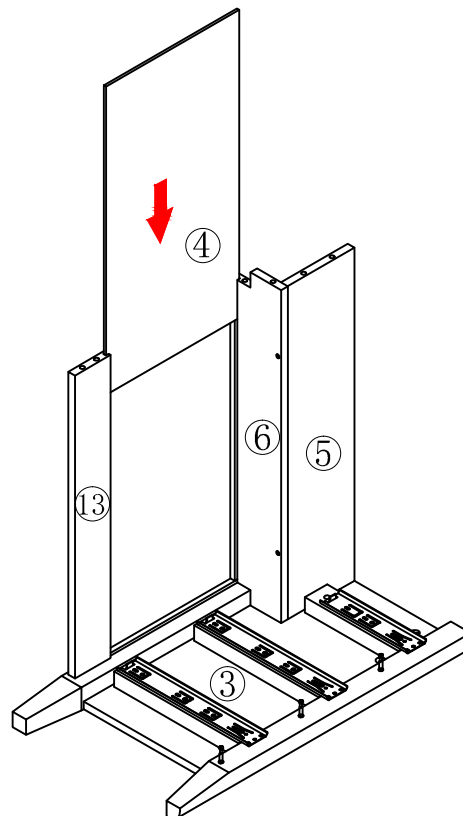
STEPS

STEP-11

	C x4PCS
	N x1PCS
	D x2PCS






STEP-12

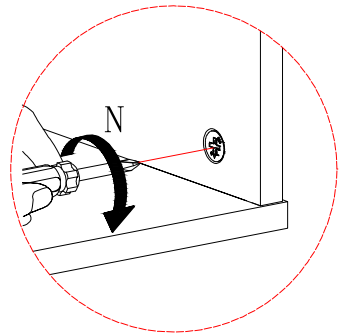
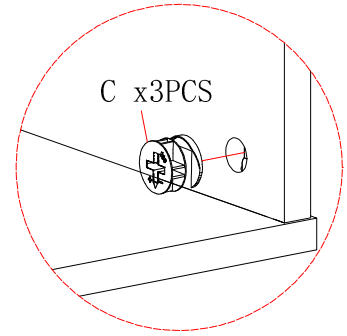
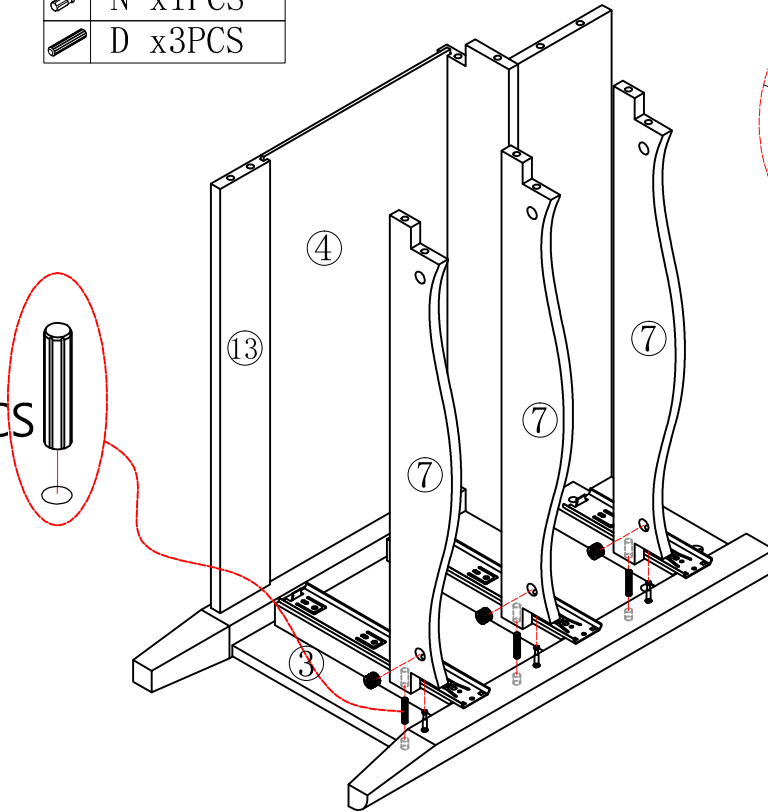


STEPS




STEP-13

	C x3PCS
	N x1PCS
	D x3PCS

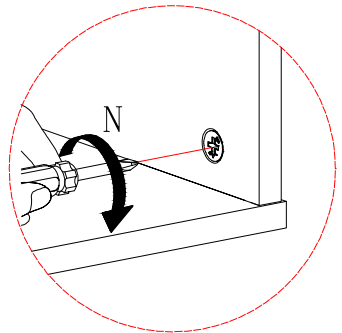
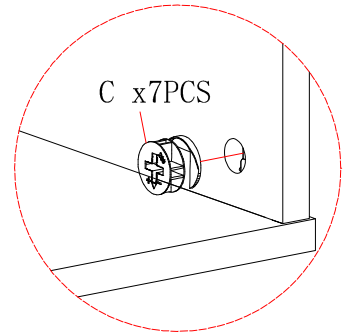
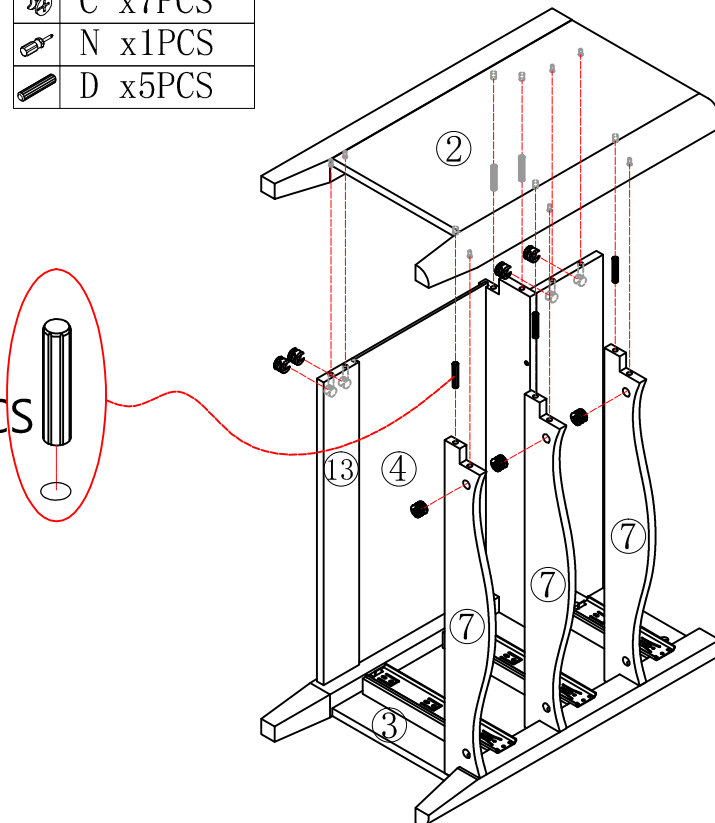
DX3PCS



STEP-14



	C x7PCS
	N x1PCS
	D x5PCS

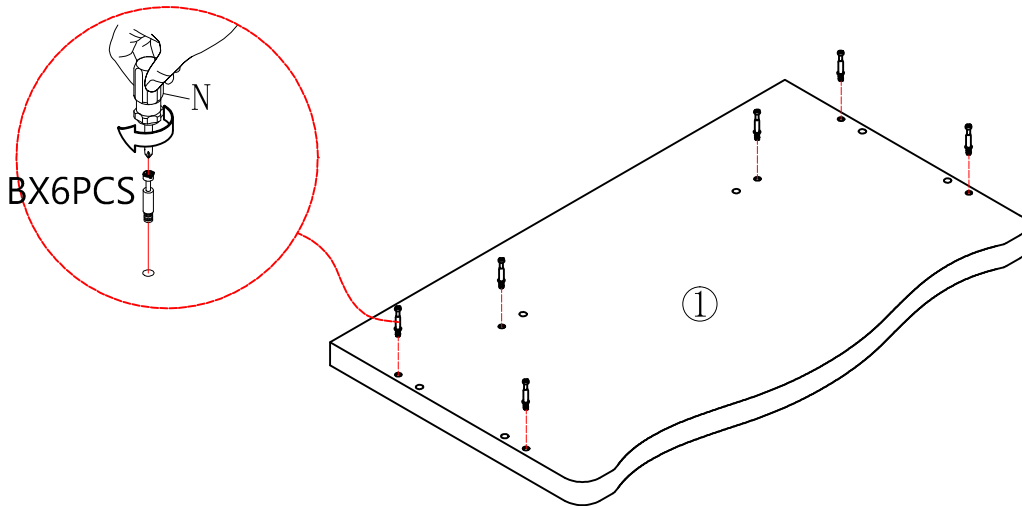
DX5PCS






STEPS

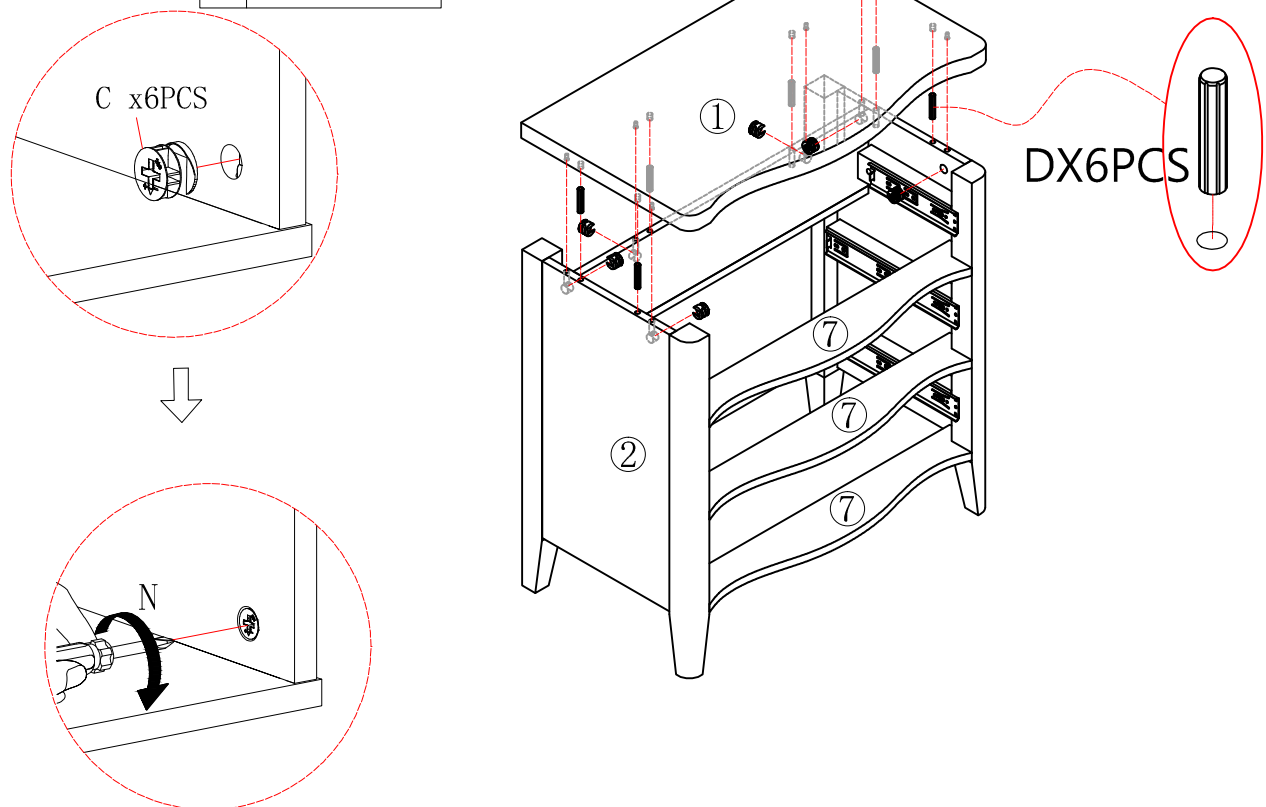
STEP-15

	B x6PCS
	N x1PCS






STEP-16

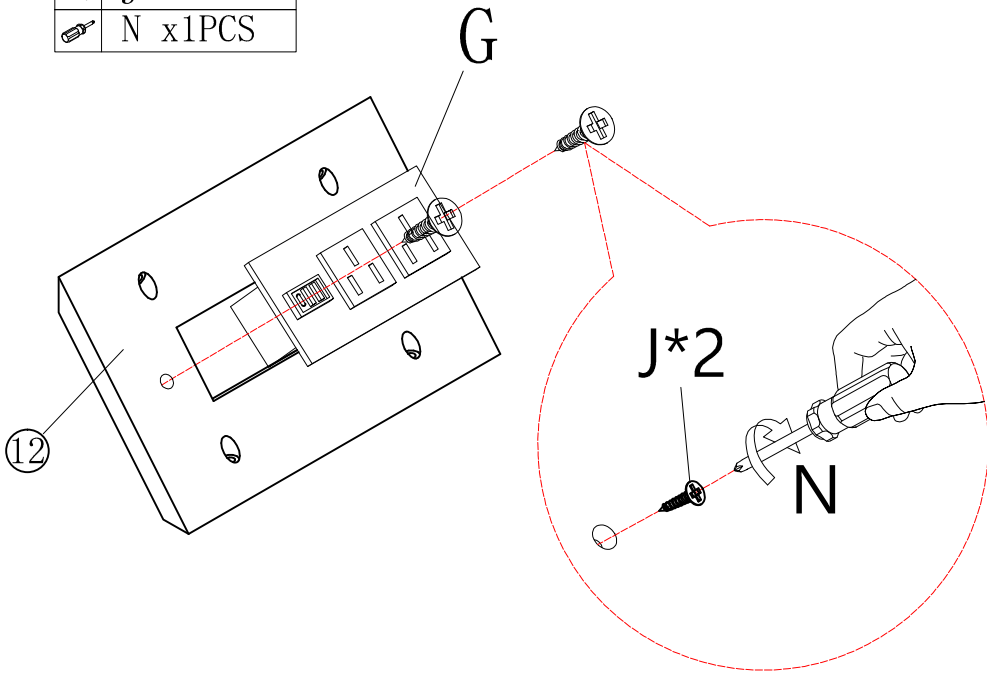
	C x6PCS		D x6PCS
	N x1PCS		





STEPS

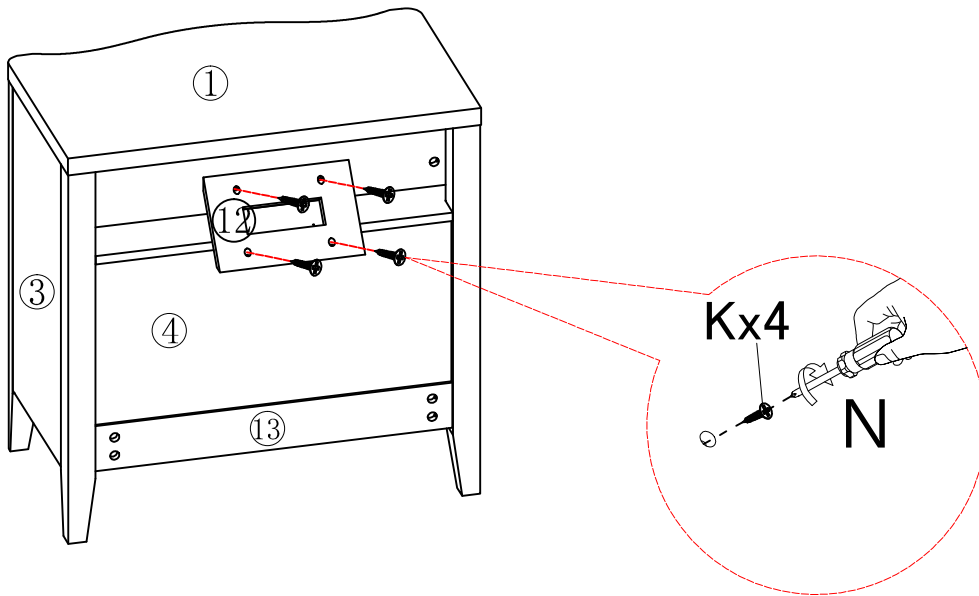
STEP-17

	G x1PCS
	J x2PCS
	N x1PCS






STEP-18

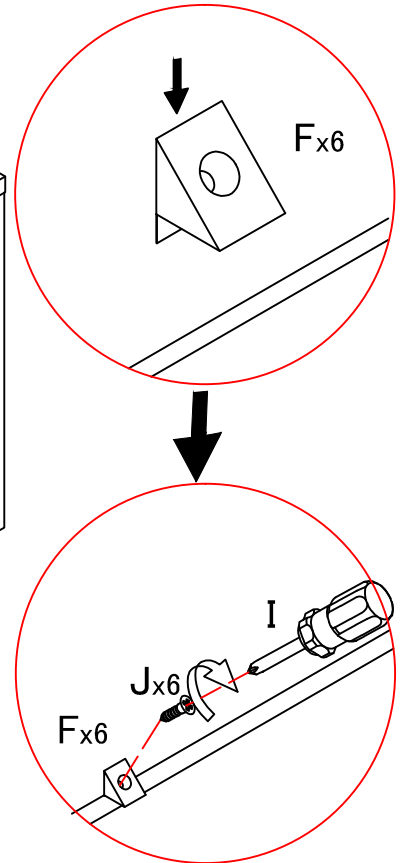
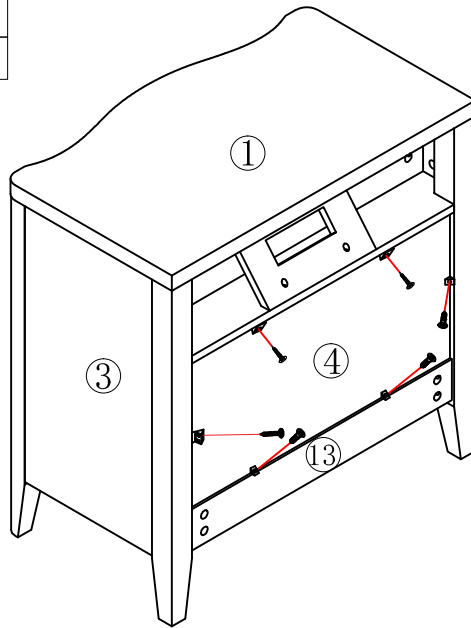
	K x4PCS
	N x1PCS







STEPS

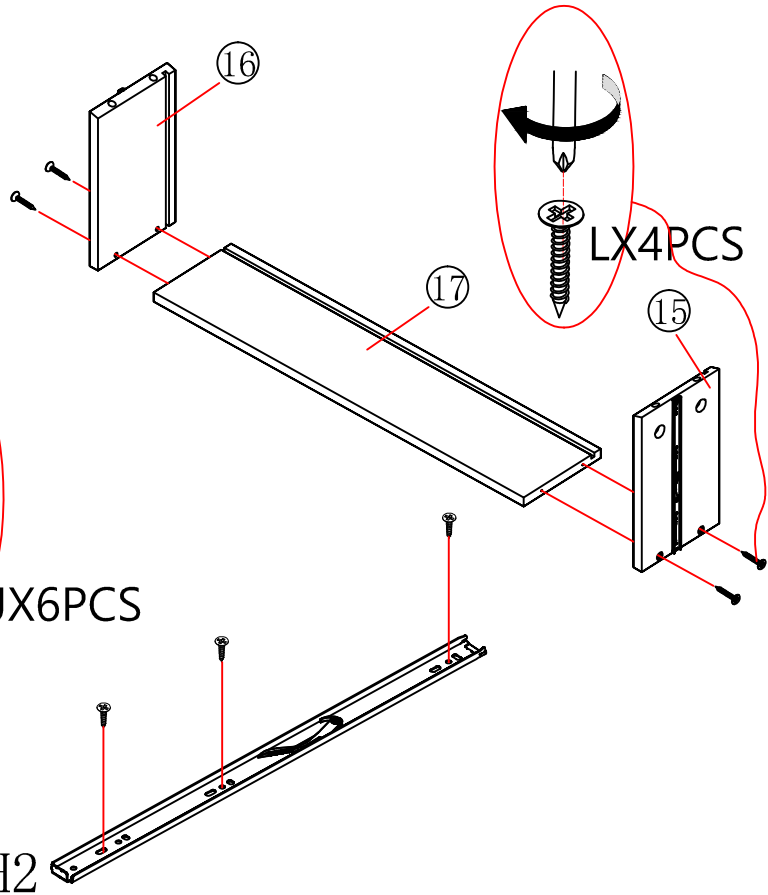
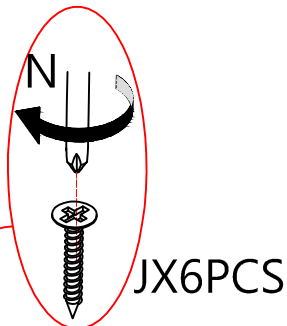
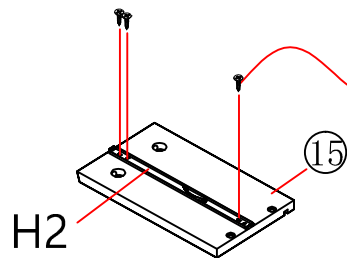
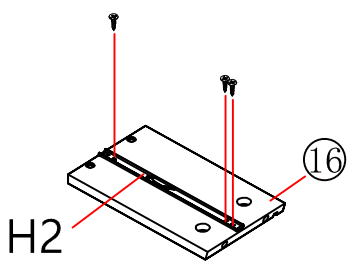
STEP-19

	F x6PCS
	N x1PCS
	J x6PCS



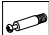

STEP-20

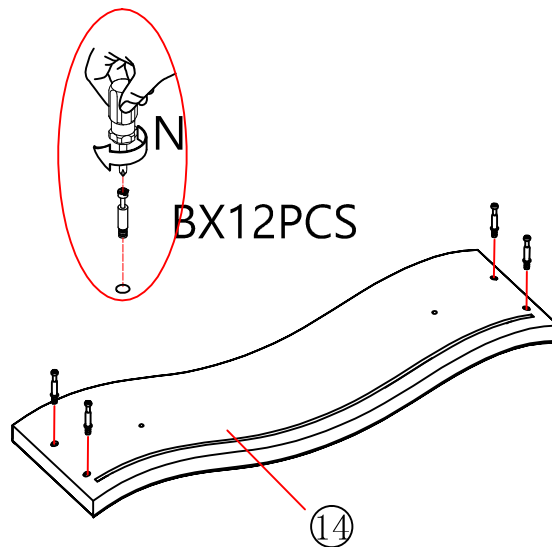
	H x1PCS
	J x6PCS
	L x4PCS
	N x1PCS



STEPS

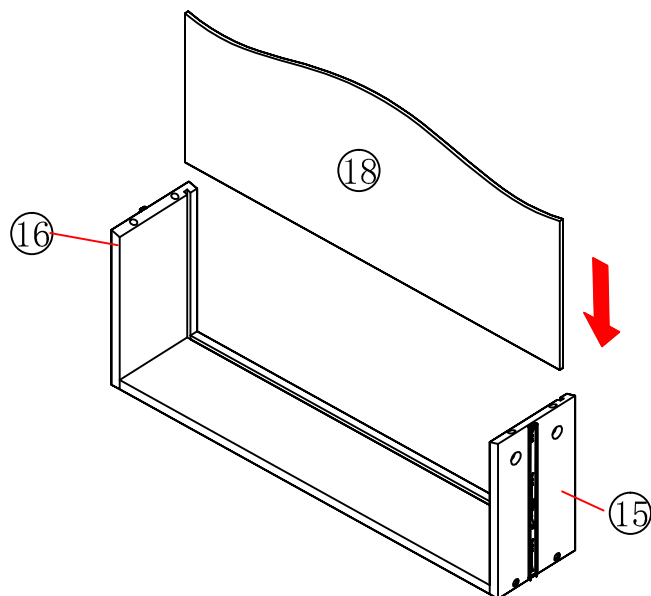
STEP-21

	B x12PCS
	N x1PCS





X3

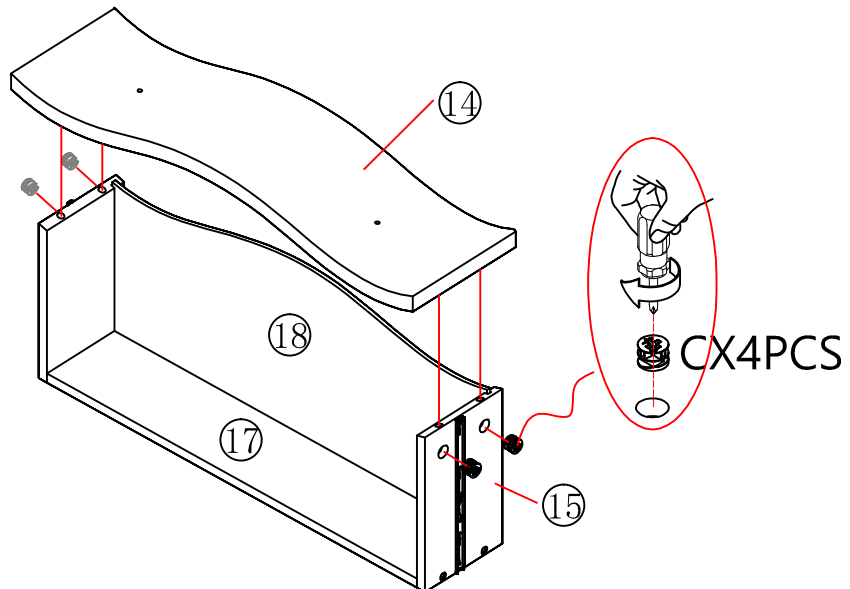
STEP-22





STEPS

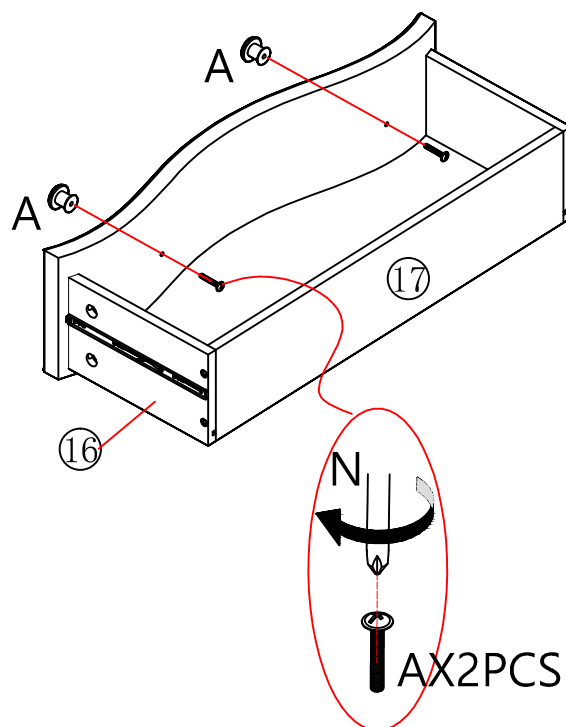
STEP-23

	C x4PCS
	N x1PCS







STEP-24

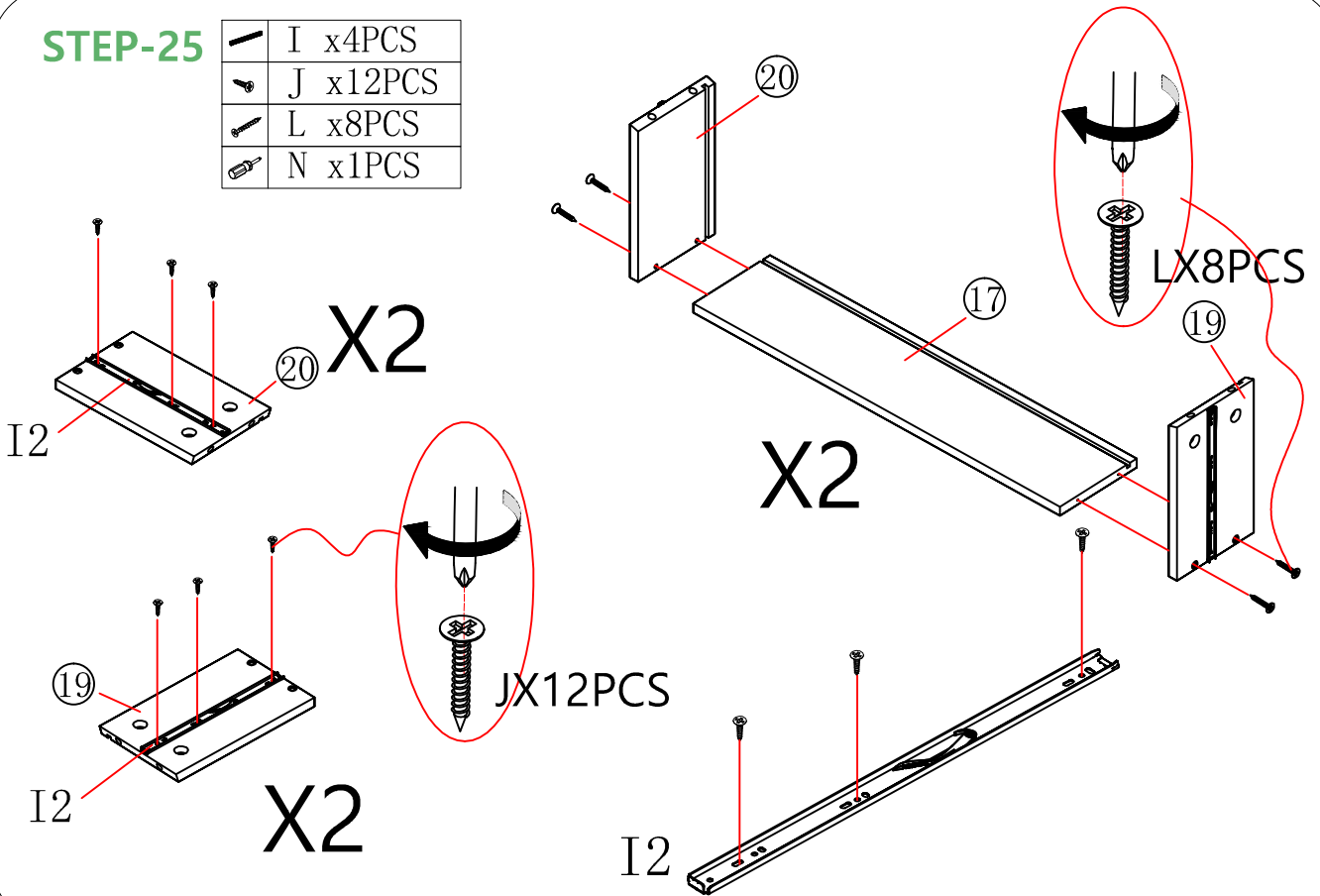
	A x2PCS
	N x1PCS



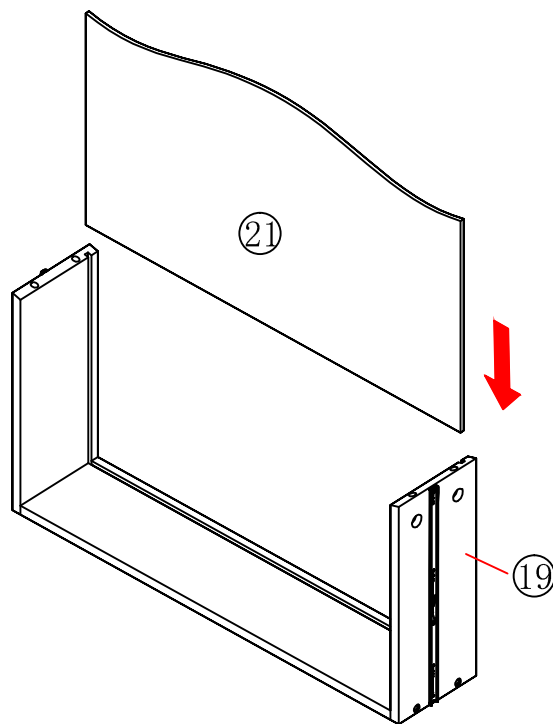
STEPS

STEP-25

	I x4PCS
	J x12PCS
	L x8PCS
	N x1PCS





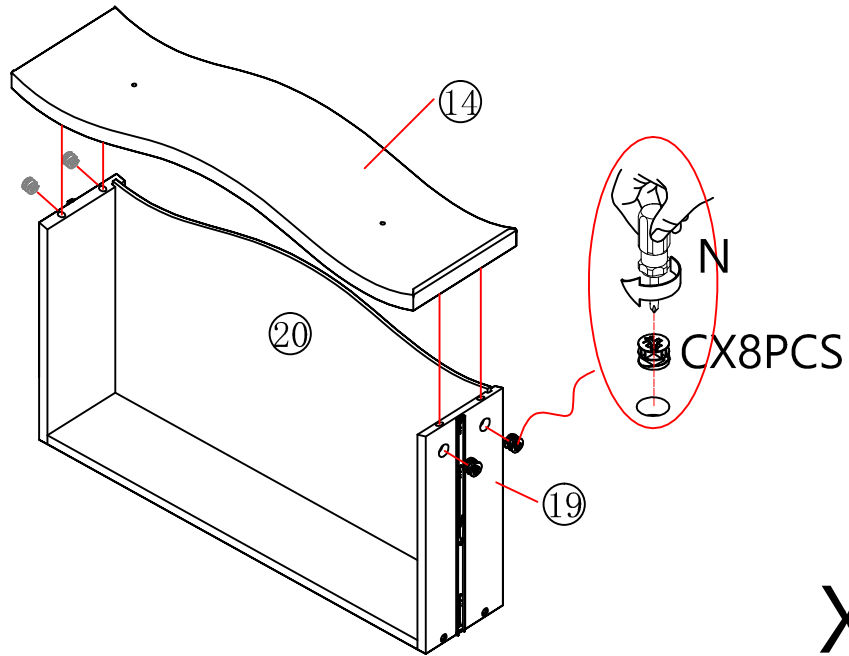
STEP-26





STEPS

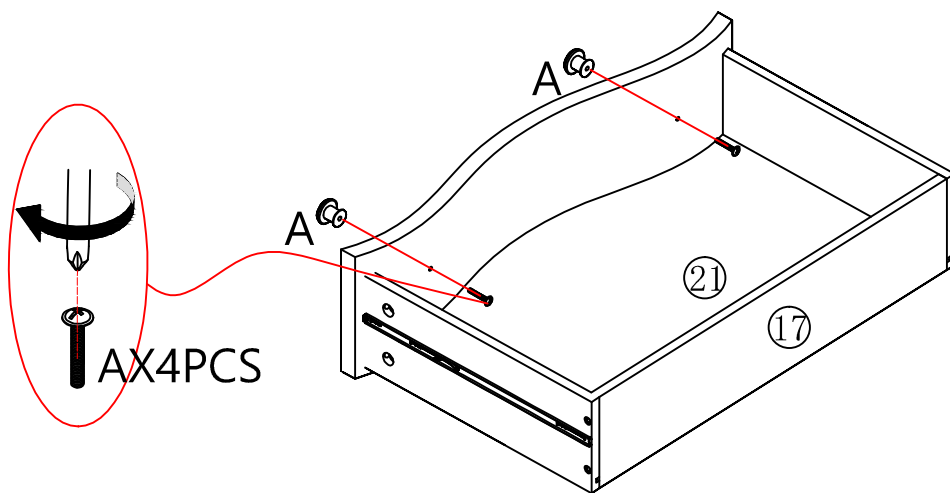
STEP-27

	C x8PCS
	N x1PCS



STEP-28

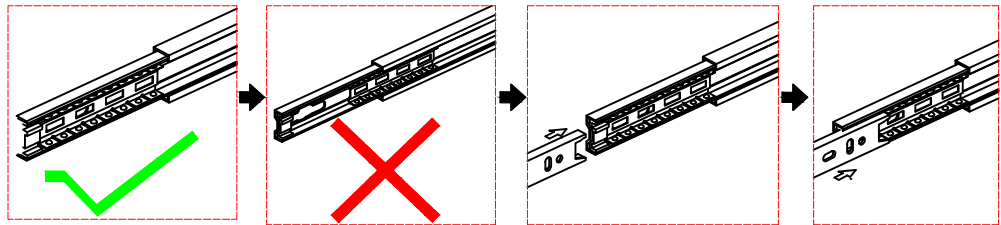
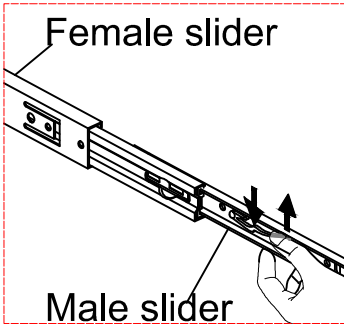
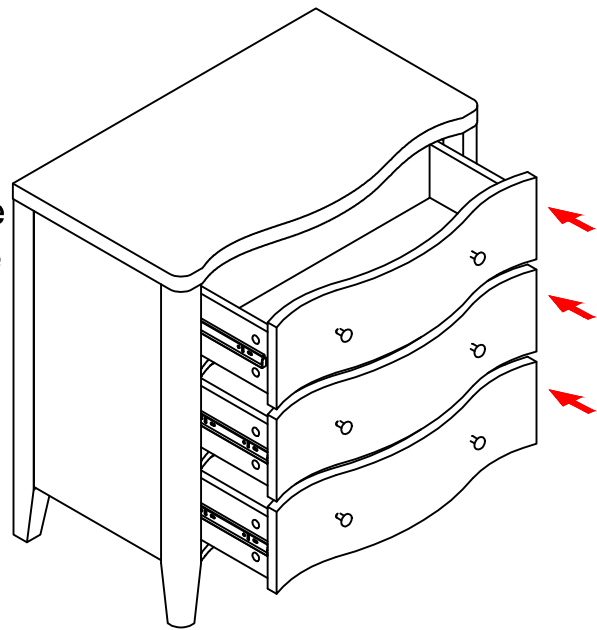
	A x4PCS
	N x1PCS



STEPS

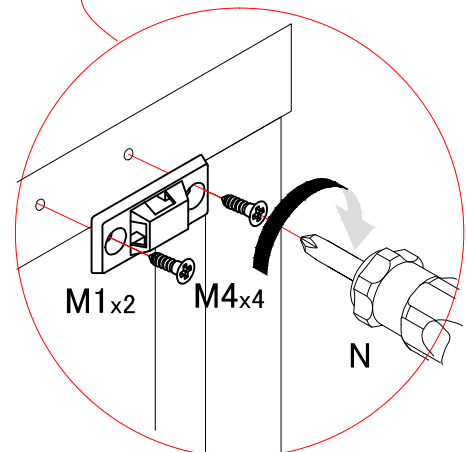
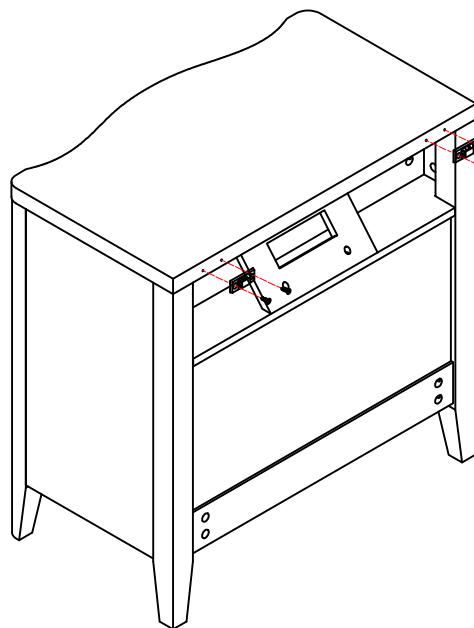
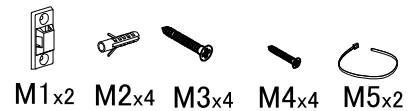
STEP-29

Align the end of the movable rail with the end of the fixed rail, gently push it forward until the snap sound sounds, indicating completion of the link. At this point, the drawer can be smoothly pushed and pulled.





STEP-30






	M x2PCS
	N x1PCS



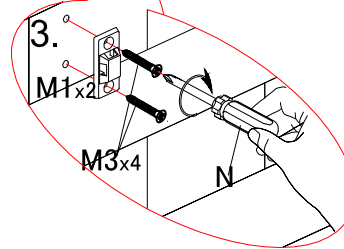
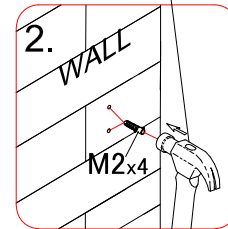
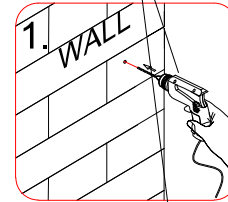
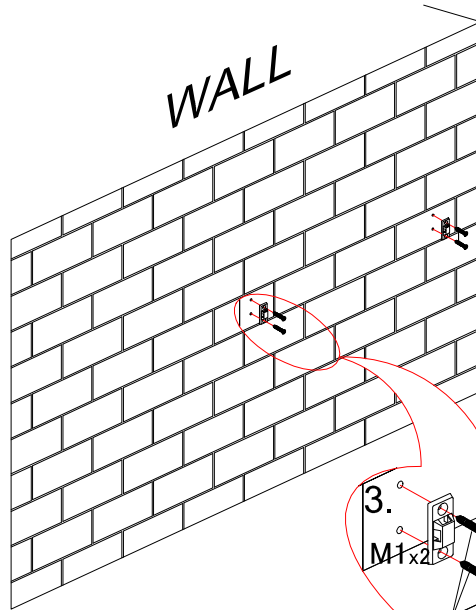
STEPS

STEP-31



	M x2PCS
	N x1PCS

-  M1x2
  M2x4
  M3x4
  M4x4
  M5x2

NOT PROVIDED



STEP-32

	M x2PCS
	N x1PCS

WALL

