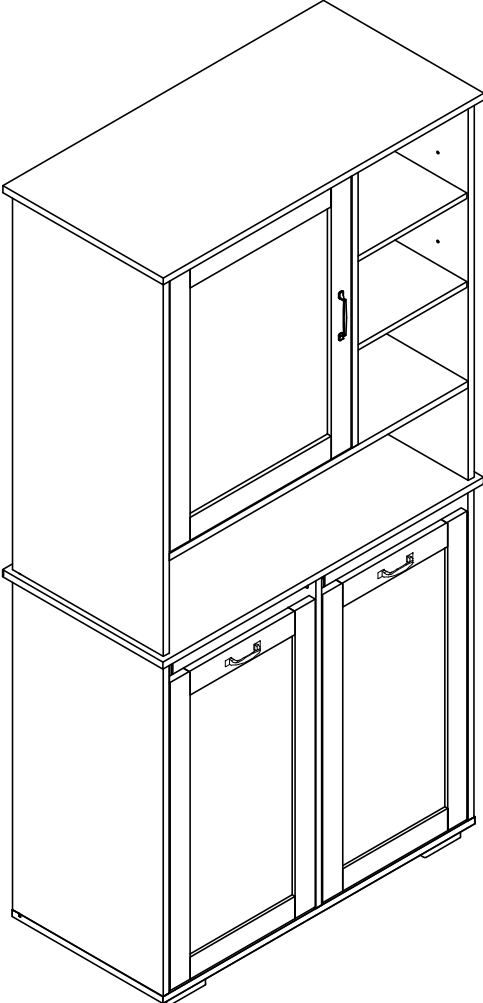
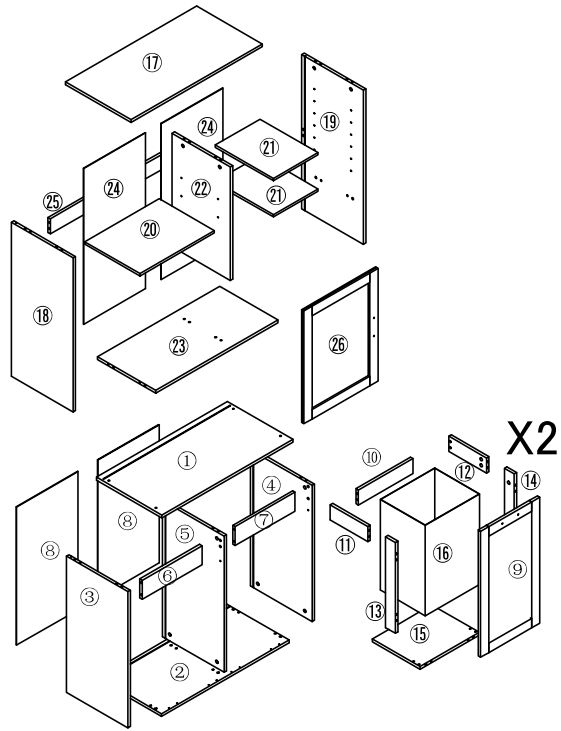
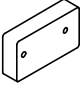
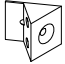

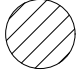

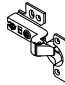
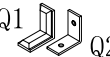






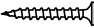

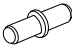


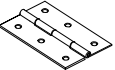


Installation & Assembly





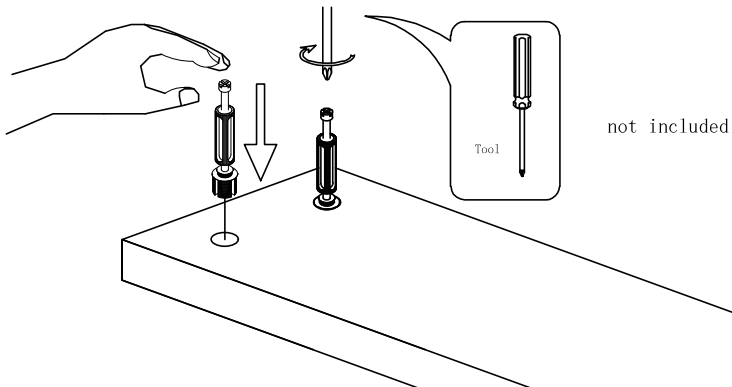
<p>K</p>  <p>4PCS</p>	<p>L</p>  <p>16PCS</p>	<p>M 3*12</p>  <p>16PCS</p>	<p>N</p>  <p>12PCS</p>	<p>O</p>  <p>12PCS</p>	<p>P</p>  <p>2PCS</p>	<p>Q</p>  <p>Q1 2PCS Q2 2PCS</p>	<p>R</p>  <p>2PCS</p>	<p>S</p>  <p>1PC</p>	
<p>A</p>  <p>62PCS</p>	<p>B</p>  <p>62PCS</p>	<p>C 8*40</p>  <p>36PCS</p>	<p>D 3.5*14</p>  <p>38PCS</p>	<p>E 3.5*25</p>  <p>8PCS</p>	<p>F 7*50</p>  <p>14PCS</p>	<p>G</p>  <p>4PCS</p>	<p>H</p>  <p>3PCS</p>	<p>I 4*18</p>  <p>6PCS</p>	<p>J</p>  <p>4PCS</p>



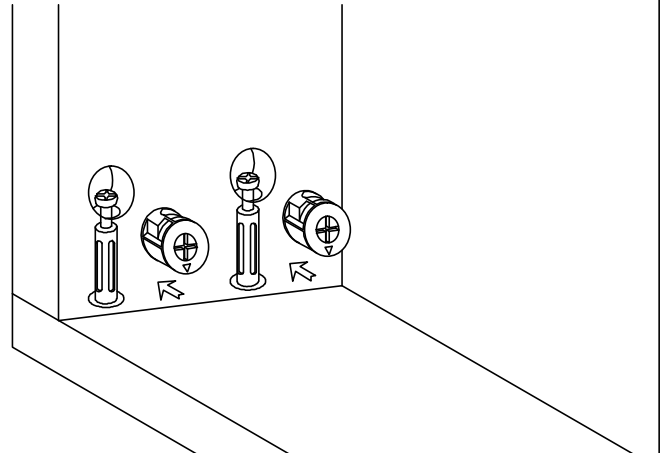
Hardware installation demonstration

NOTE: Please make sure "A" hardware tightened and can't be pulled out!

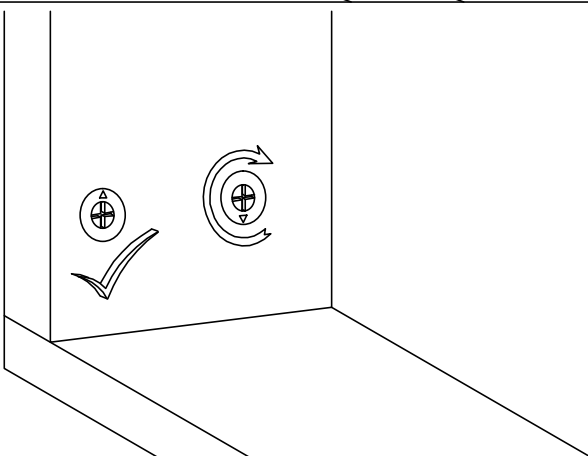
I



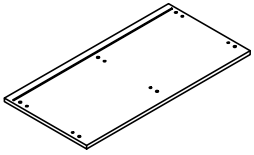
II



III

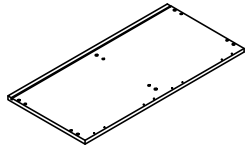


1



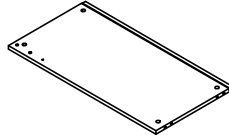
800*400 1PS

2



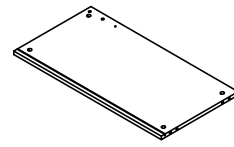
778*376 1PS

3



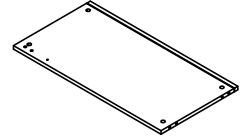
720*376 1PS

4



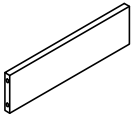
720*376 1PS

5



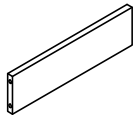
720*376 1PS

6



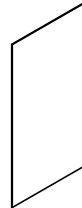
365*100 1PS

7



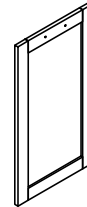
365*100 1PS

8



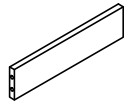
730*374 1PS

9



666*362 2PS

10



330*80 2PS

11



230*80 2PS

12



230*80 2PS

13



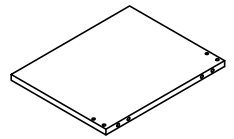
480*60 2PS

14



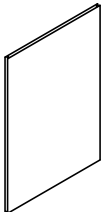
480*60 2PS

15



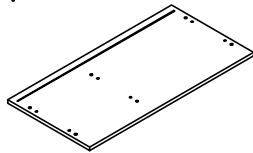
362*290 2PS

16



331*479 2PS

17



800*400 1PS

18



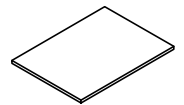
815*376 1PS

19



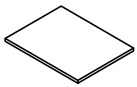
815*376 1PS

20



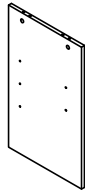
453.5*338 1PS

21



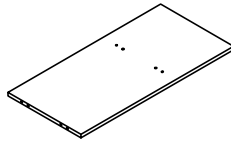
272.5*354 2PS

22



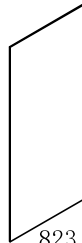
600*356 1PS

23



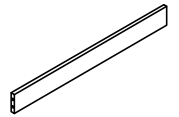
745*356 1PS

24



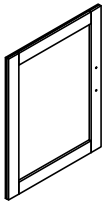
823.5*376.5 2PS

25



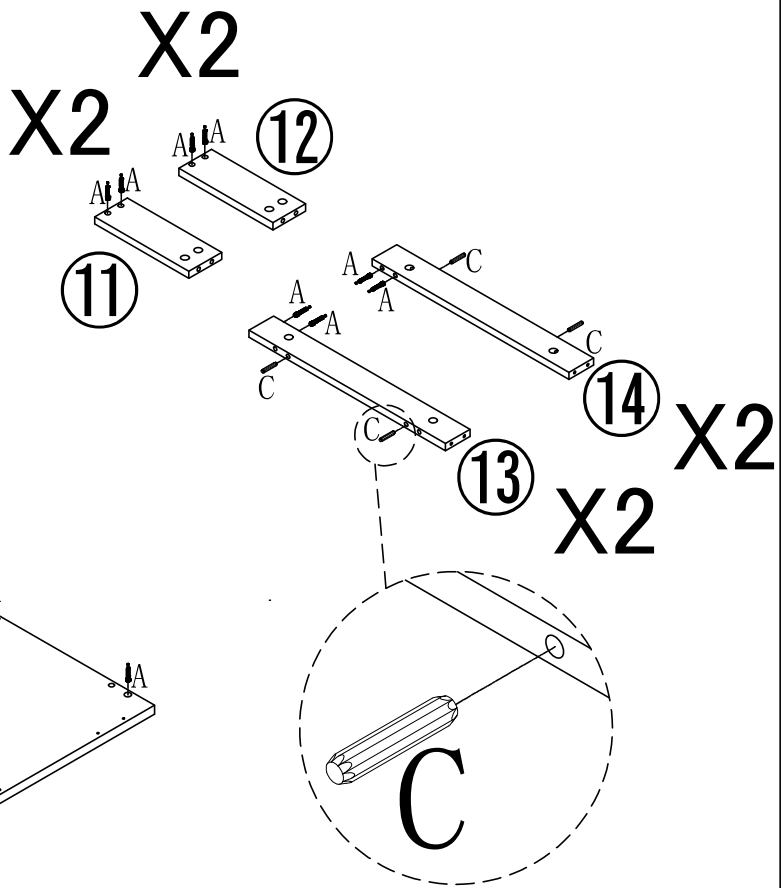
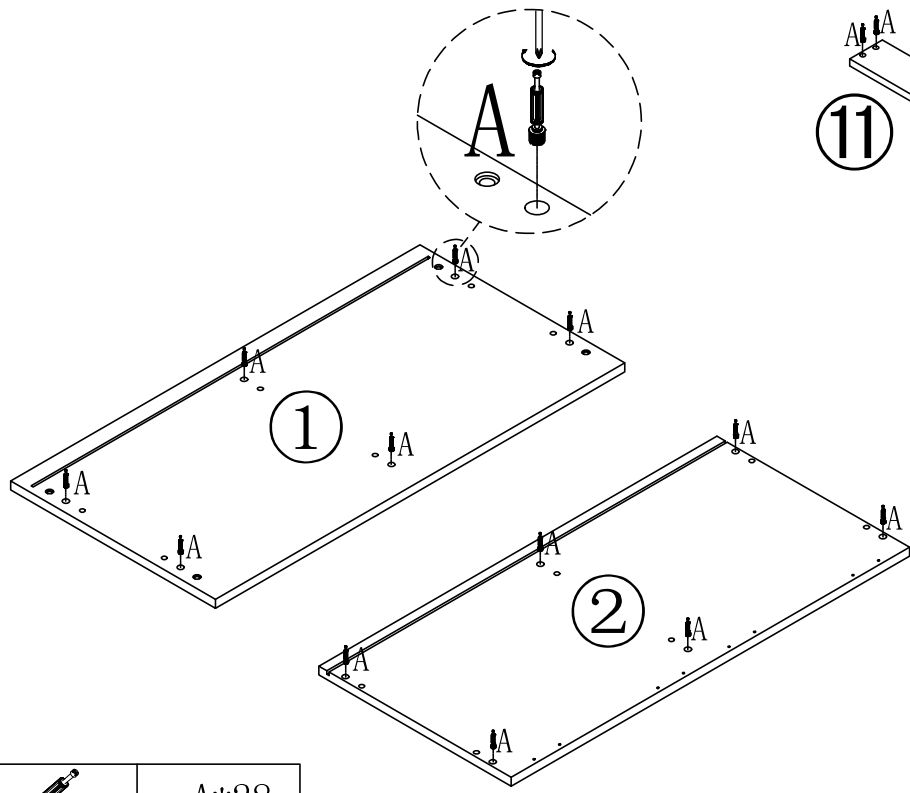
745*80 1PS



26



596*452 1PS

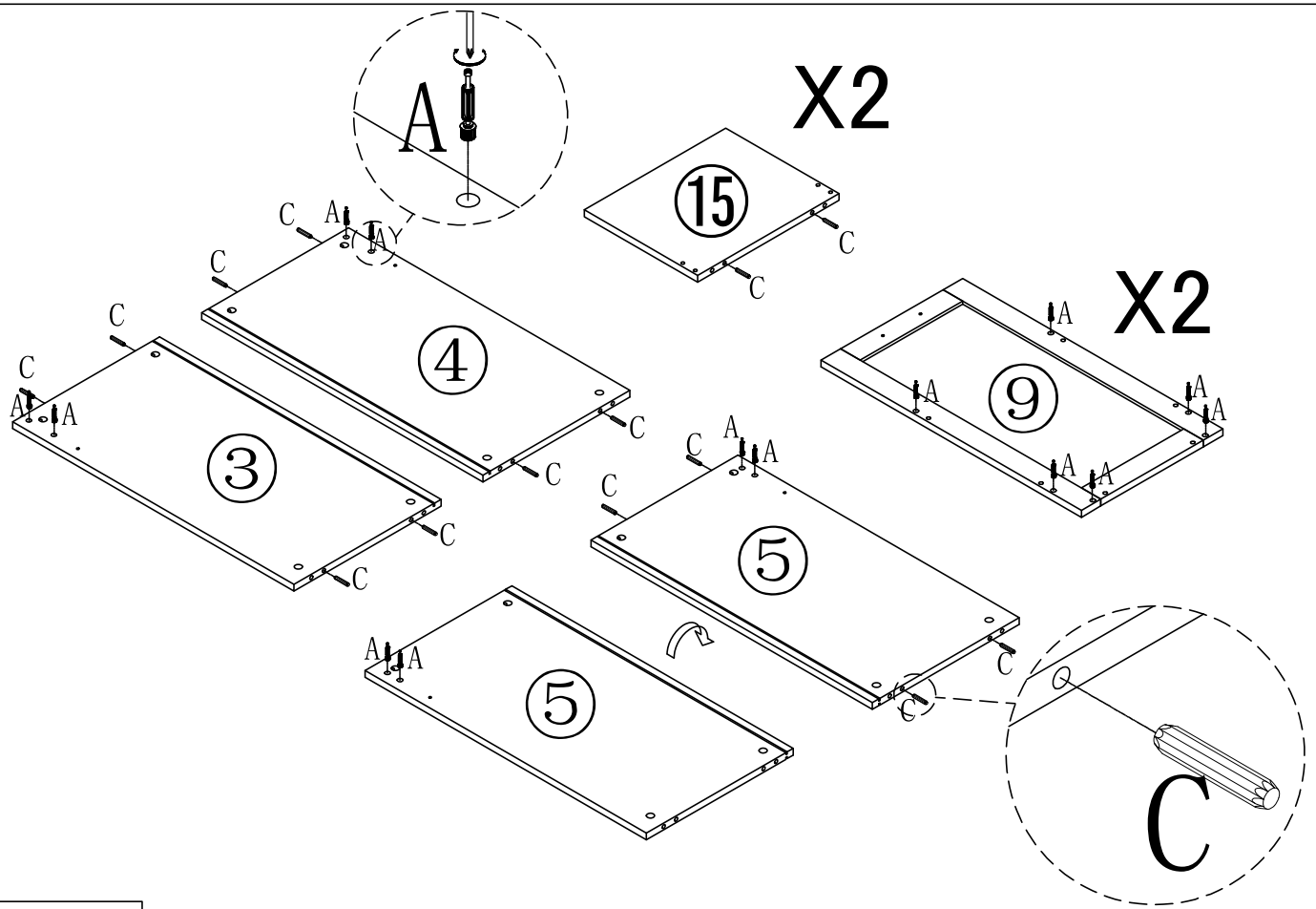
①





	A*28
	C*8

put A on board ① ② ⑪ ⑫ ⑬ ⑭
 put C on board ⑬ ⑭

②

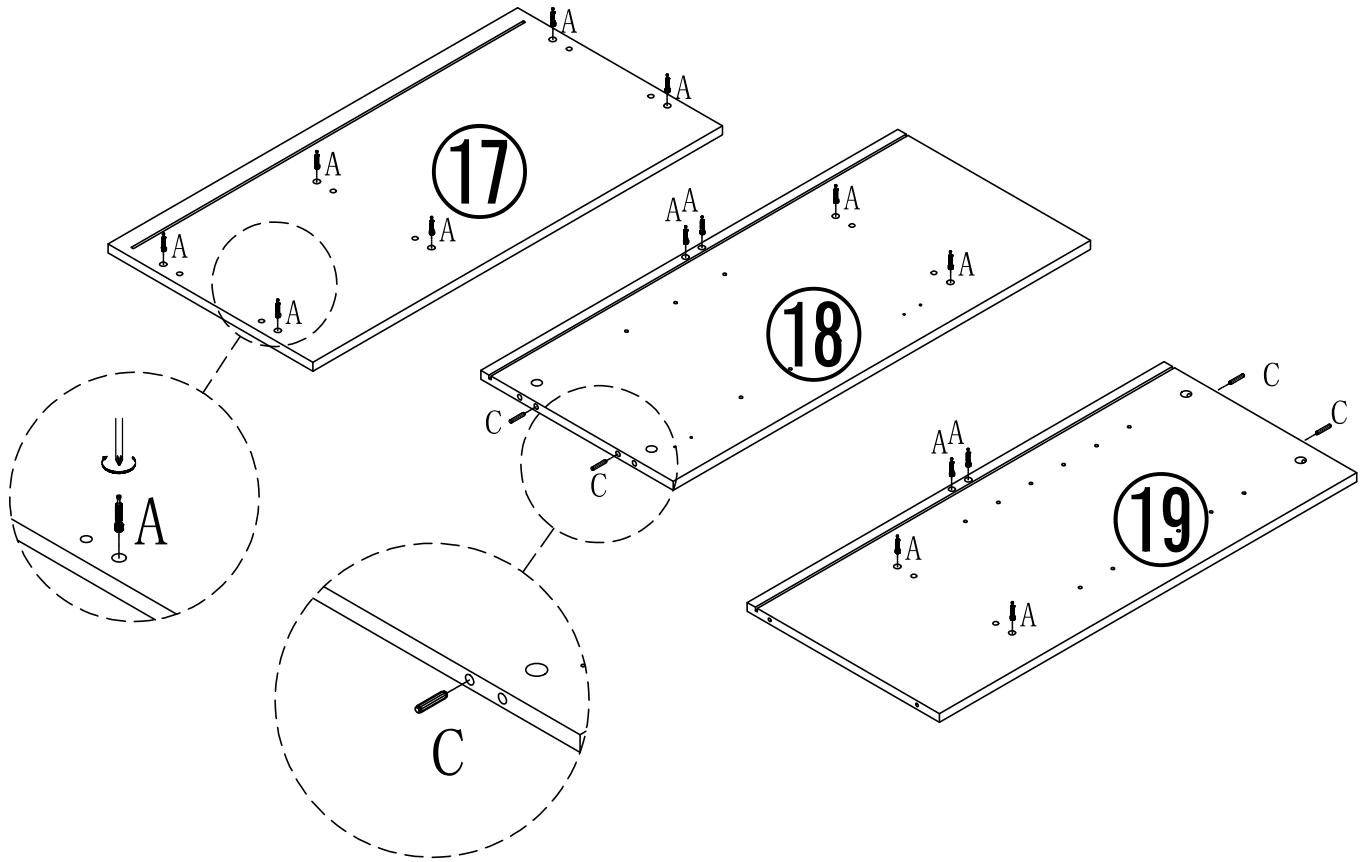




	A*20
	C*16

put A on board ③④⑤⑨
put C on board ③④⑤⑮

Make sure the arrow on the screw align to the hole on the side.

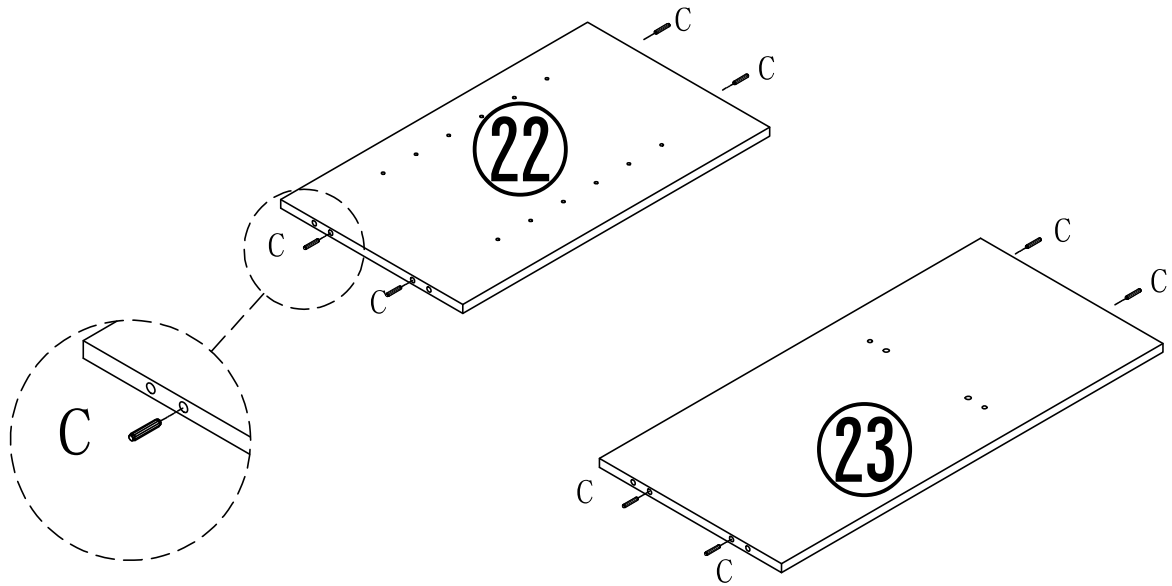
3




	A*14
	C*4

put A on board 17 18 19
put C on board 18 19

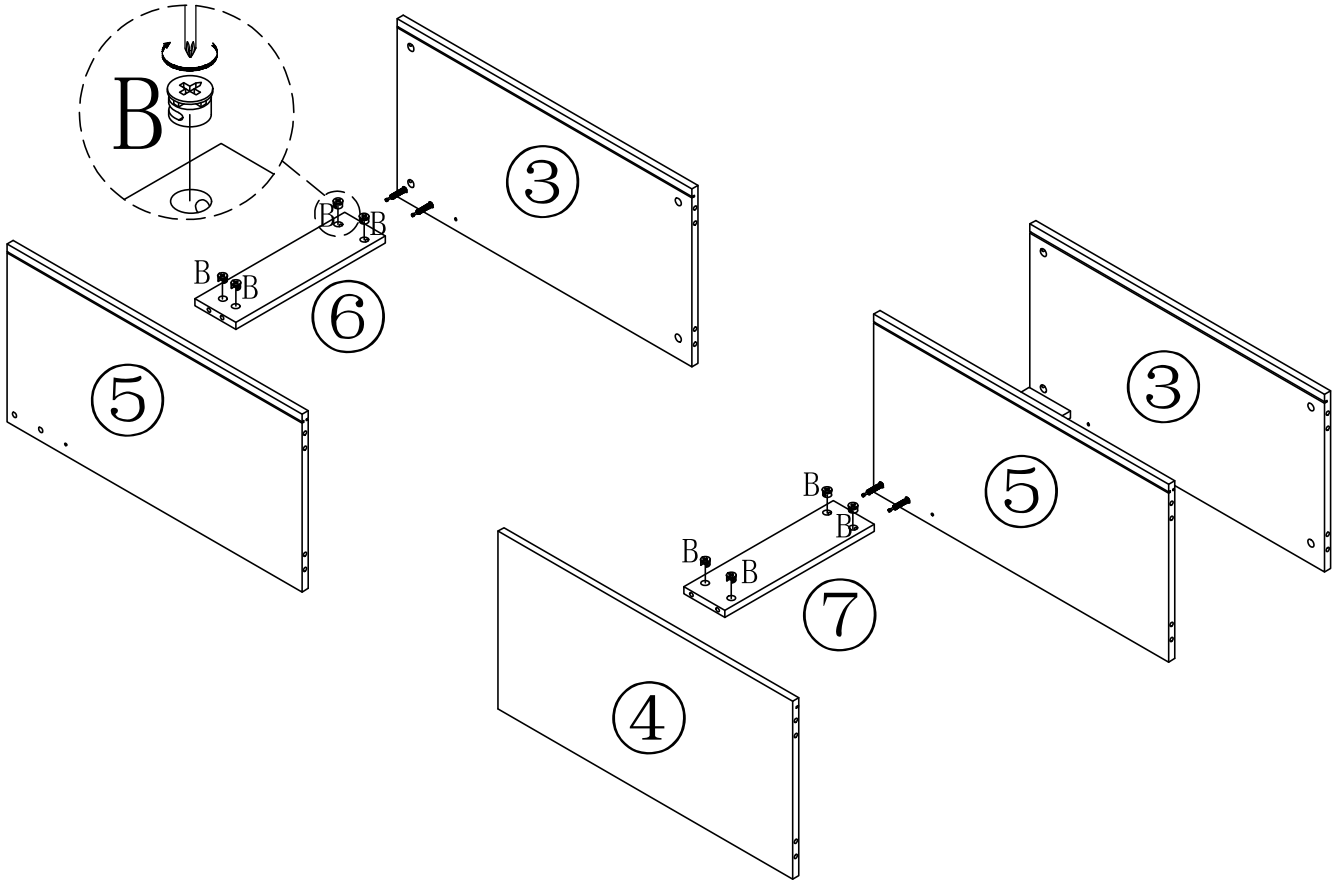
4



put C on board 22 23

	C*8
--	-----

5



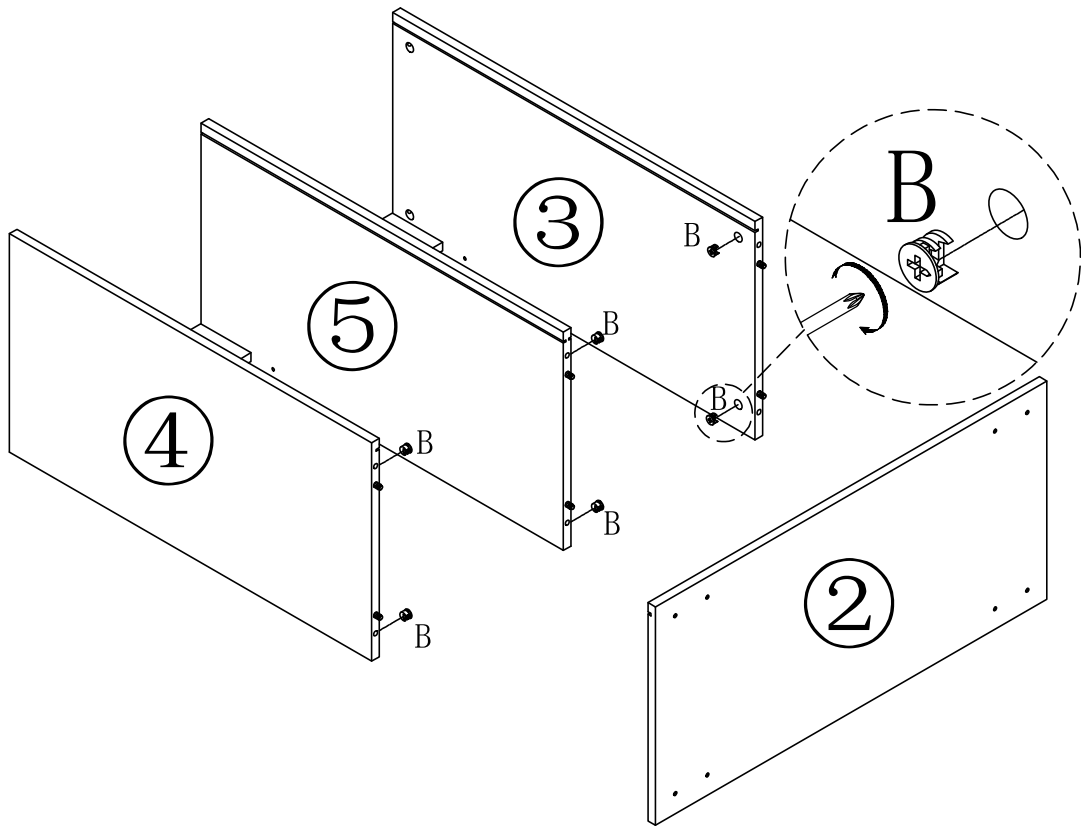
Make sure the arrow on the screw align to the hole on the side.



B*8

put B on board 6 7

⑥



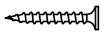
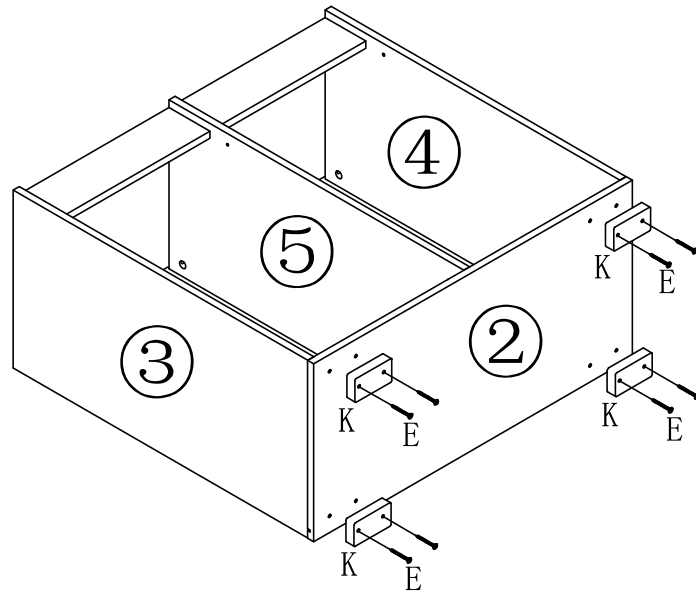
Make sure the arrow on the screw align to the hole on the side.



B*6

put B on board ③ ④ ⑤

7

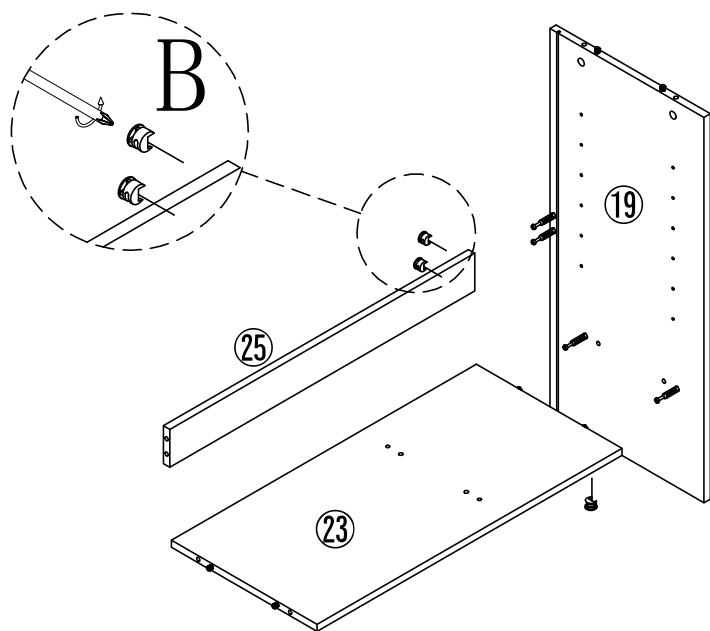


E*8



K*4

8



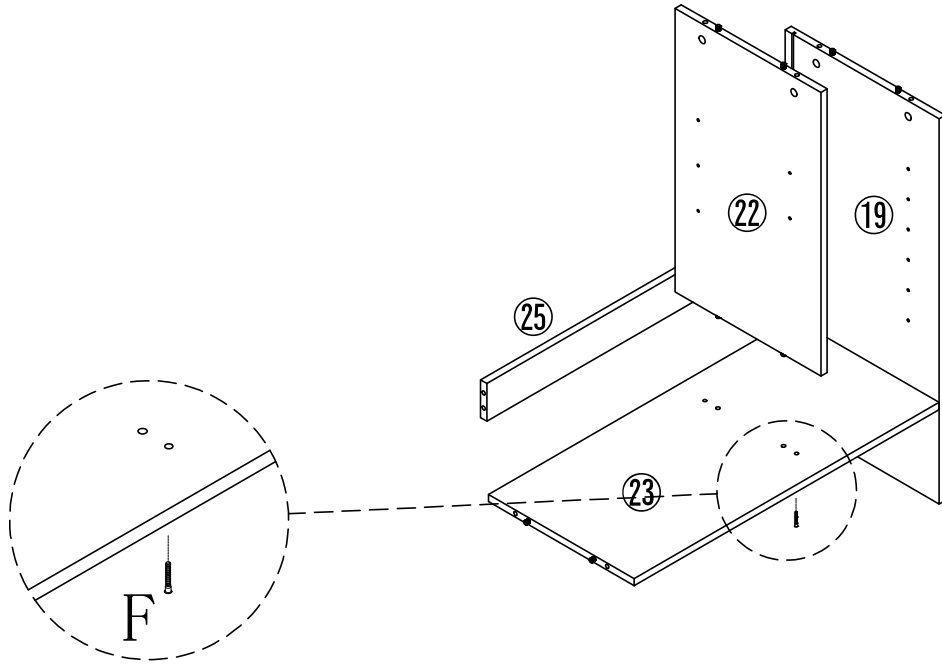
Make sure the arrow on the screw align to the hole on the side.



B*4

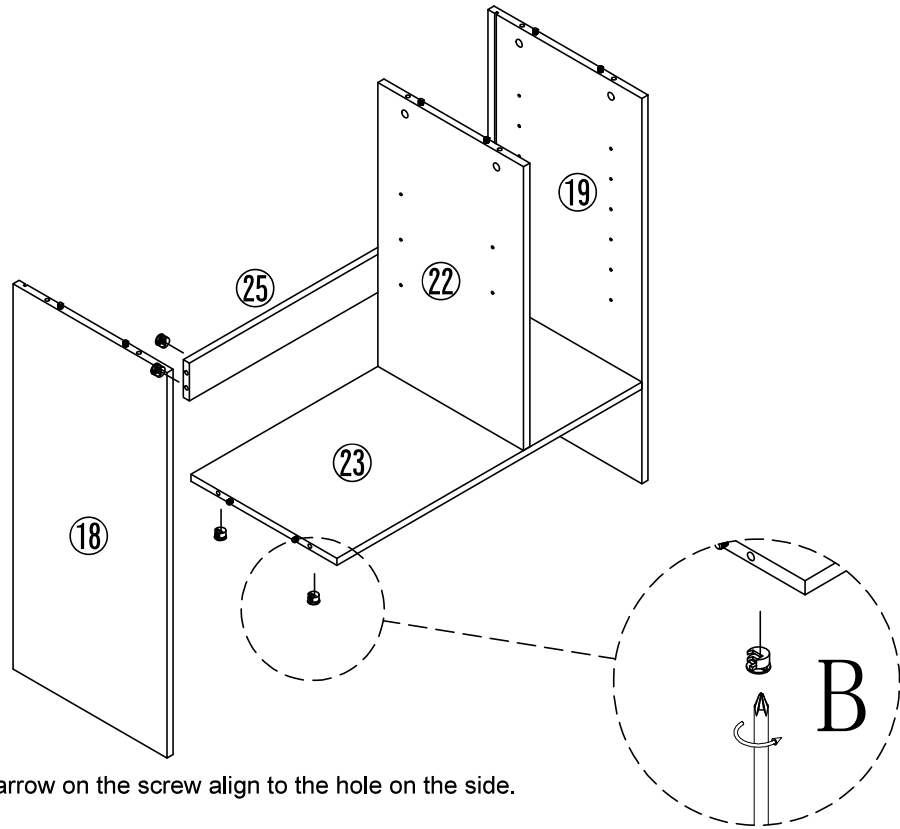
put B on board 23 25

9



F*2

10



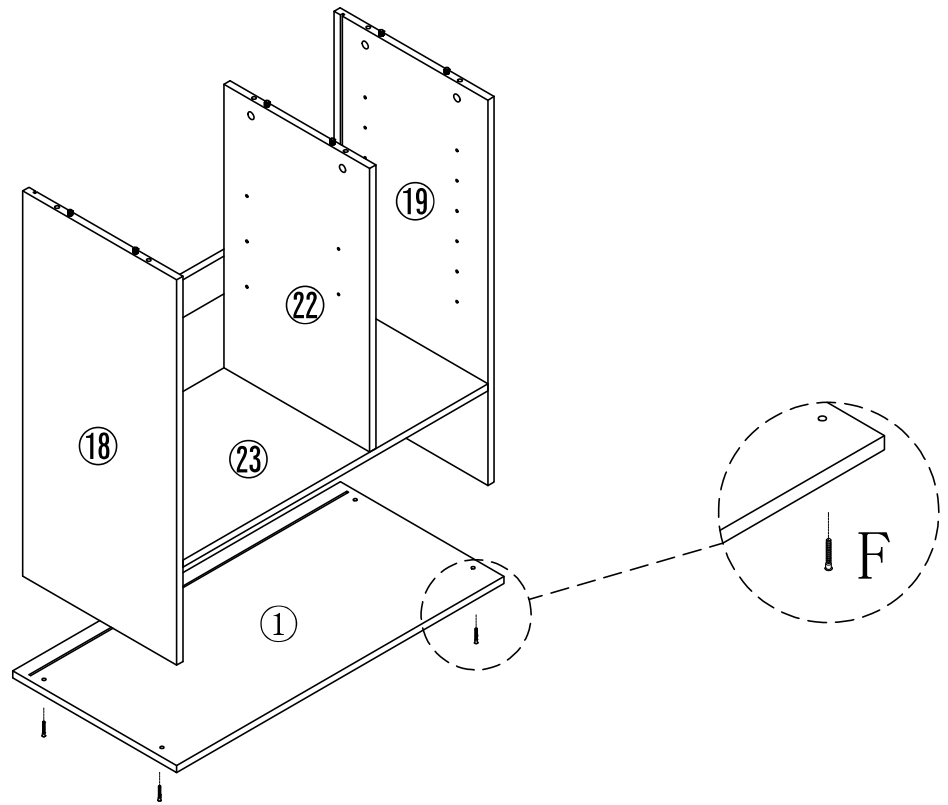
Make sure the arrow on the screw align to the hole on the side.

put B on board 23 25



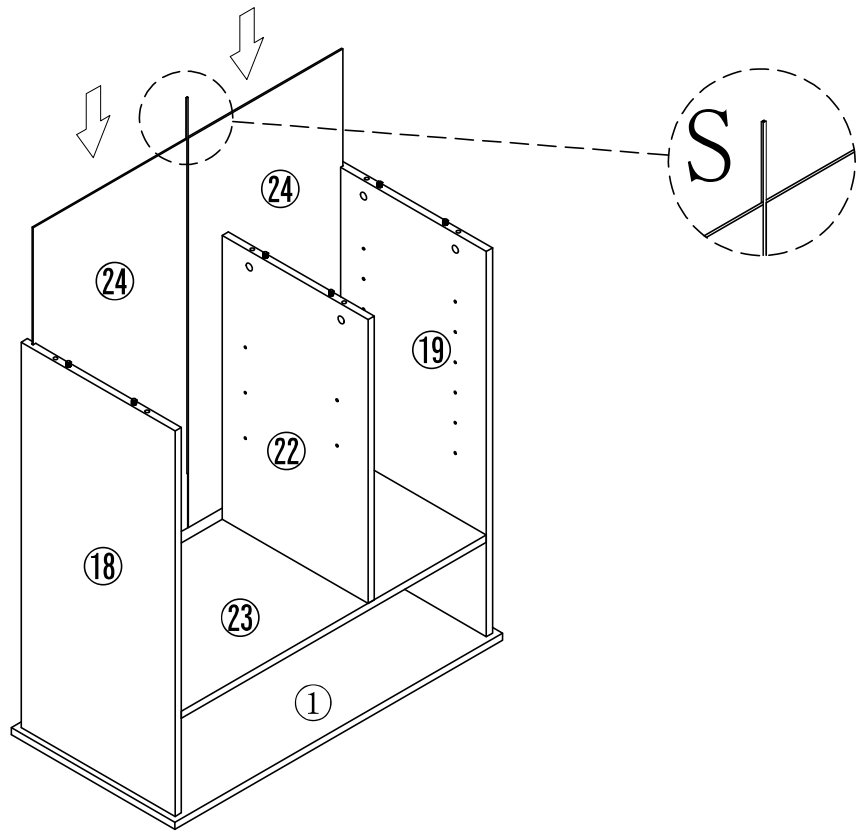
B*4

11



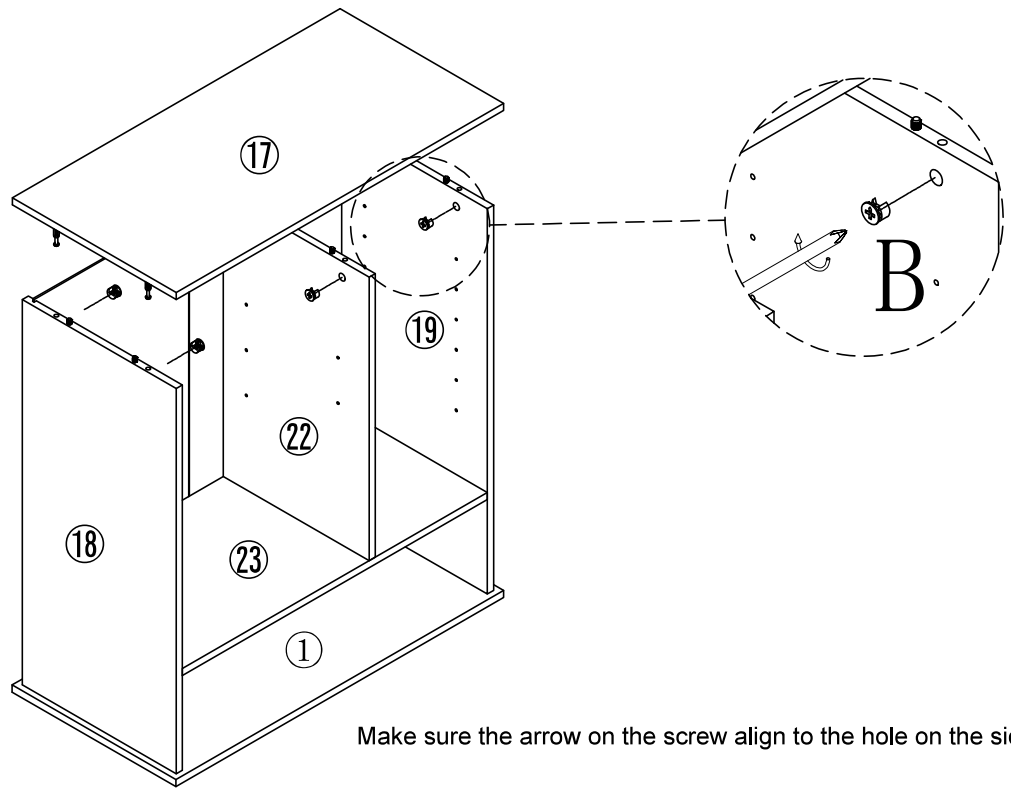
F*4

12



S*1

13



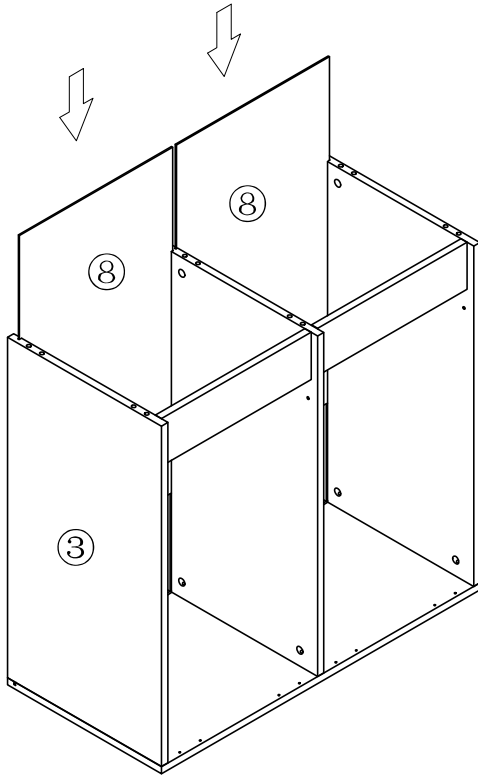
Make sure the arrow on the screw align to the hole on the side.

put B on board 18 19 22

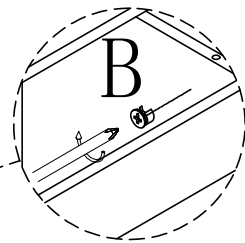
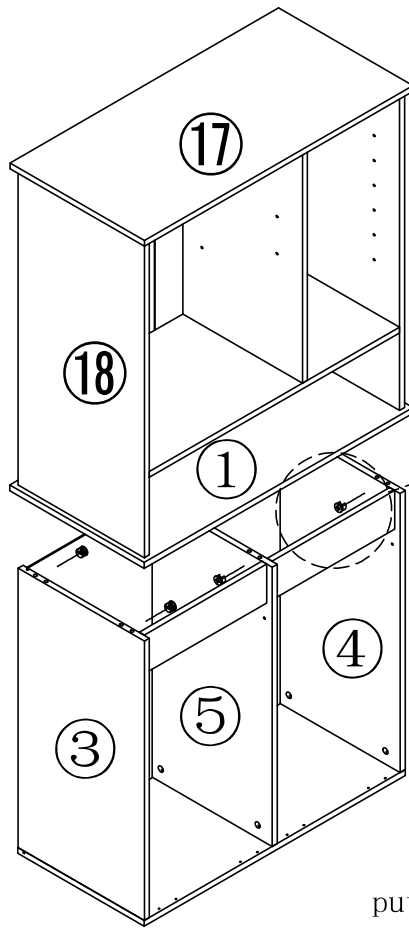


B*6

14



15



Make sure the arrow on the screw align to the hole on the side.

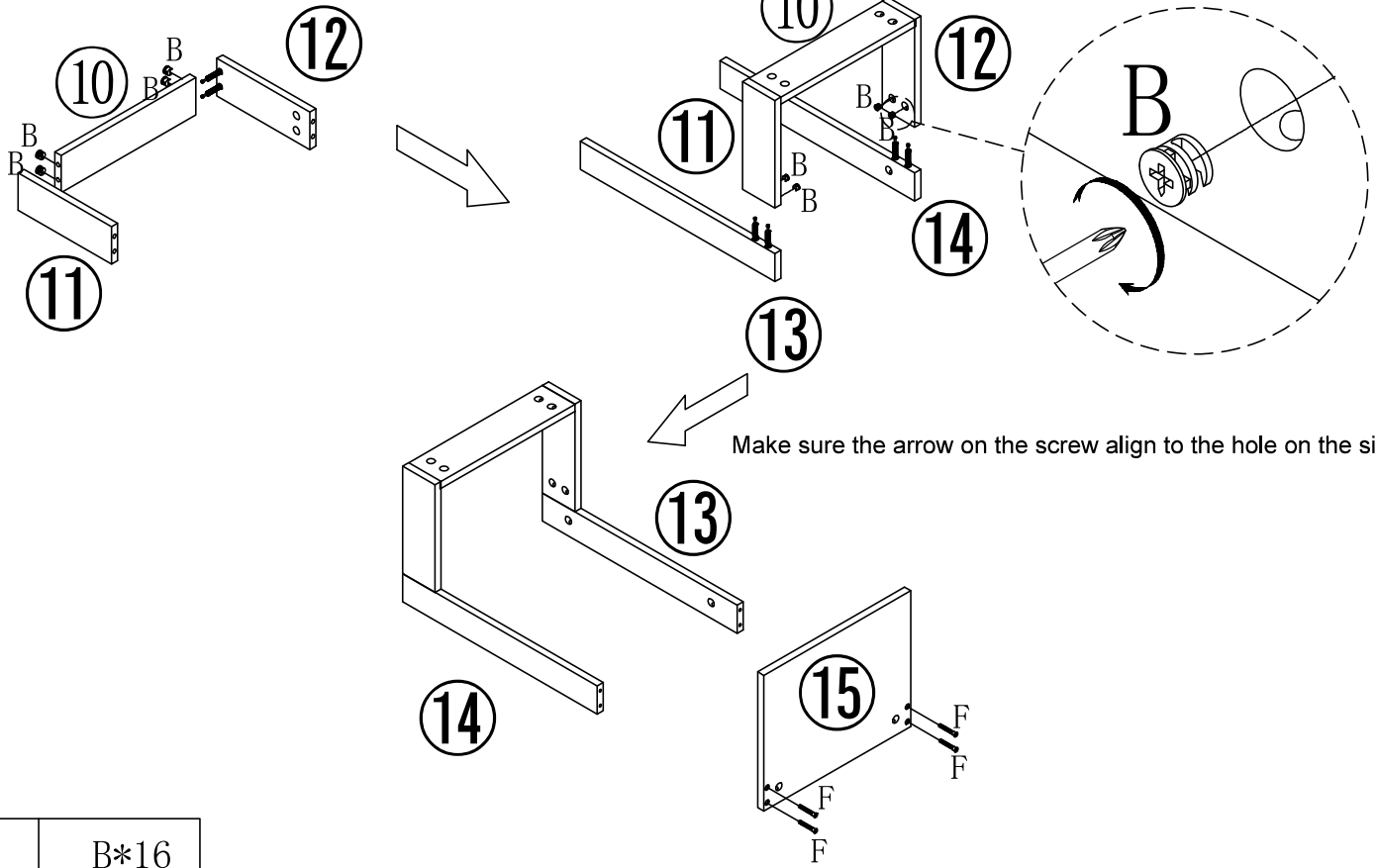
put B on board 3 4 5





B*6

16

X2

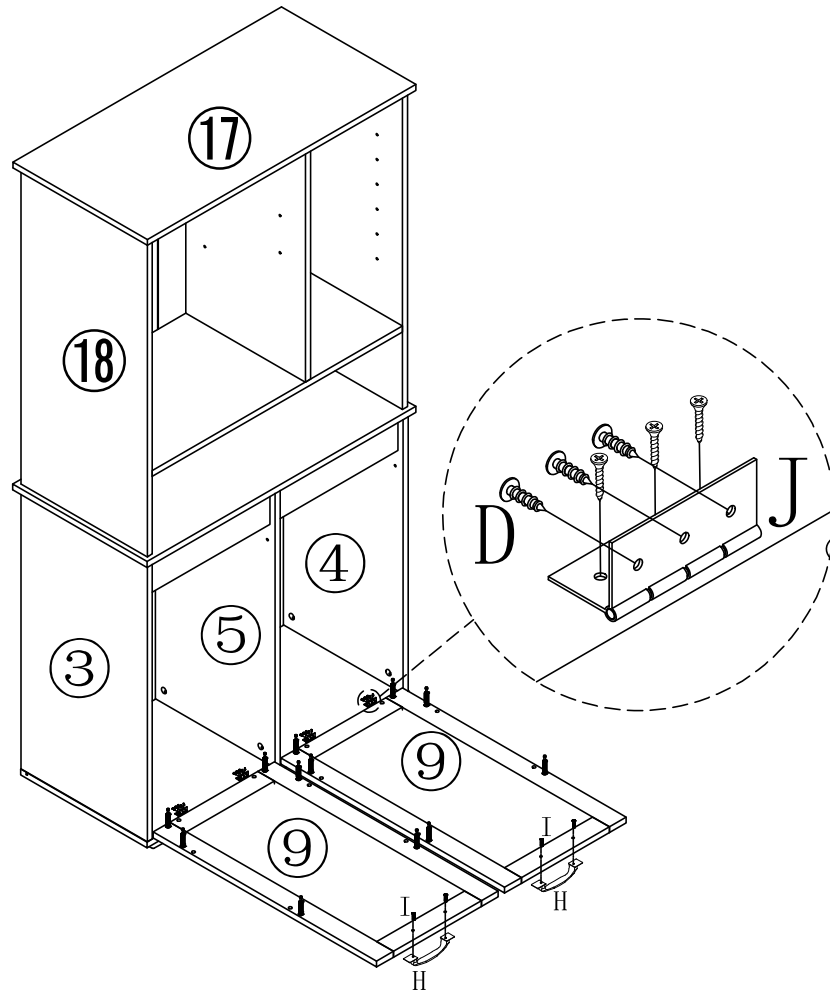






Make sure the arrow on the screw align to the hole on the side.

	B*16
	F*8

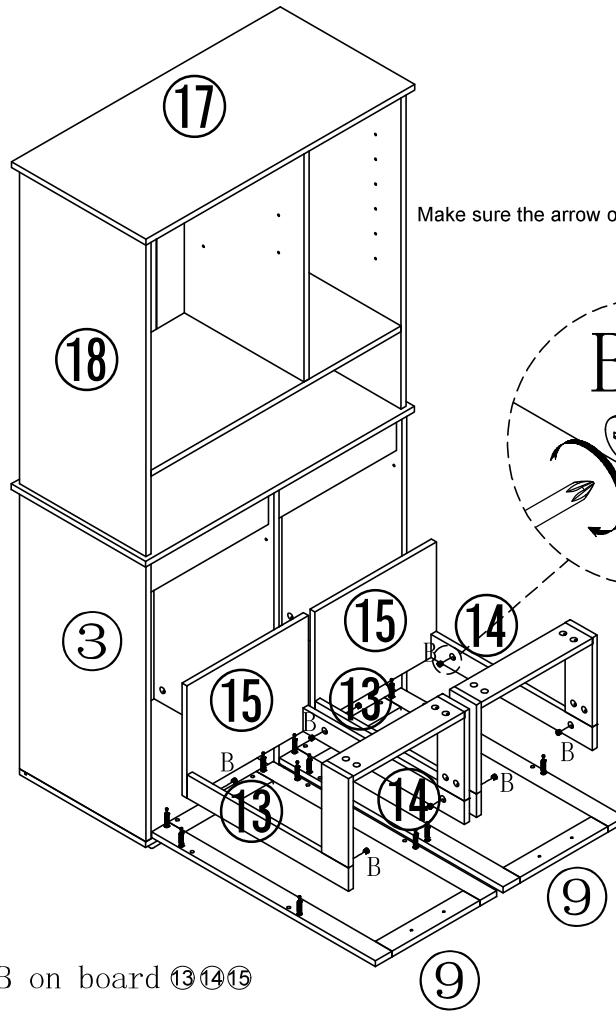
put B on board 10 11 12

17



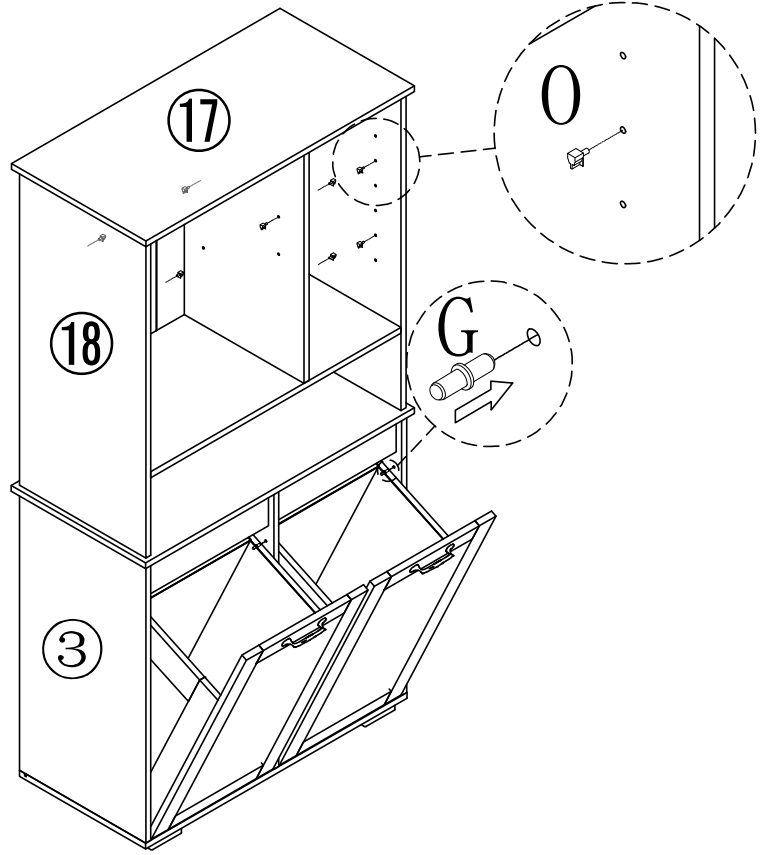
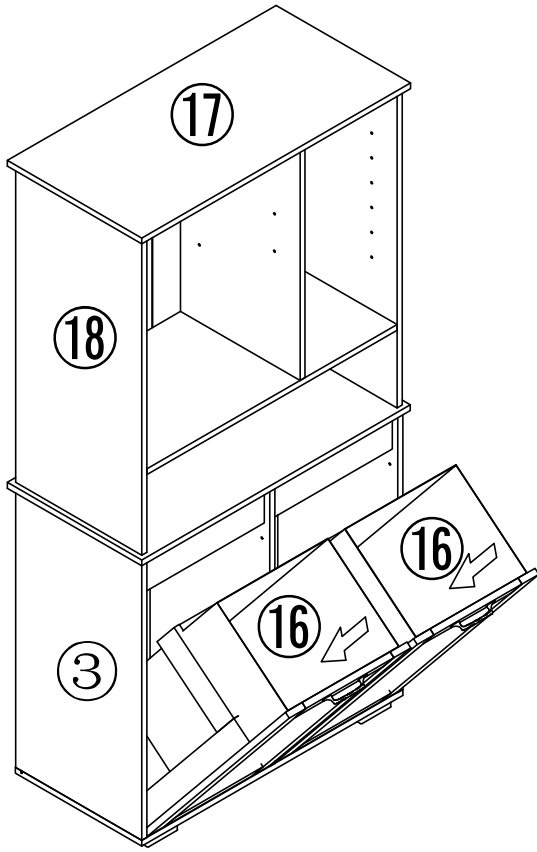
	D*24
	H*2
	I*4
	J*4



18



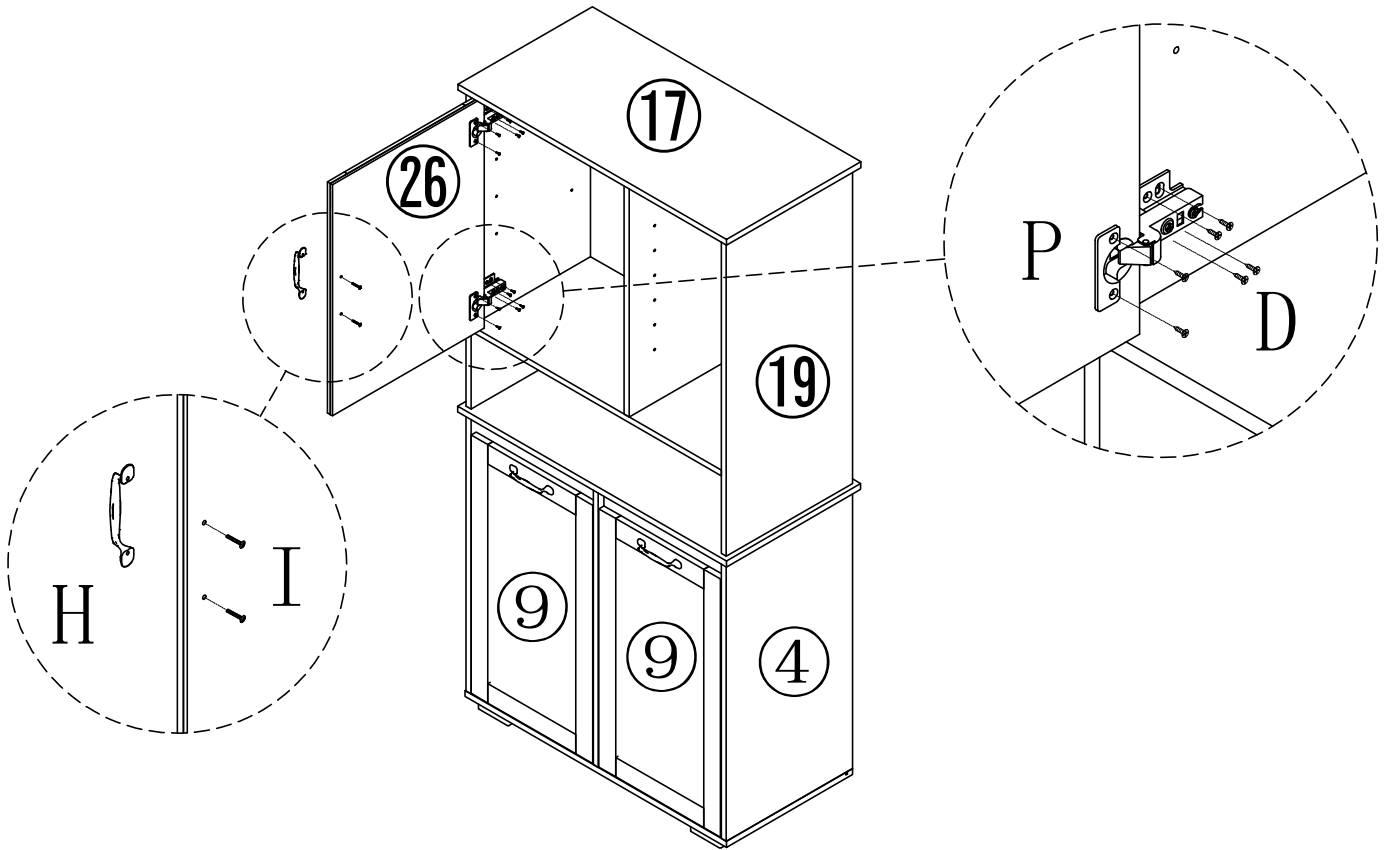
B*12



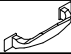

19



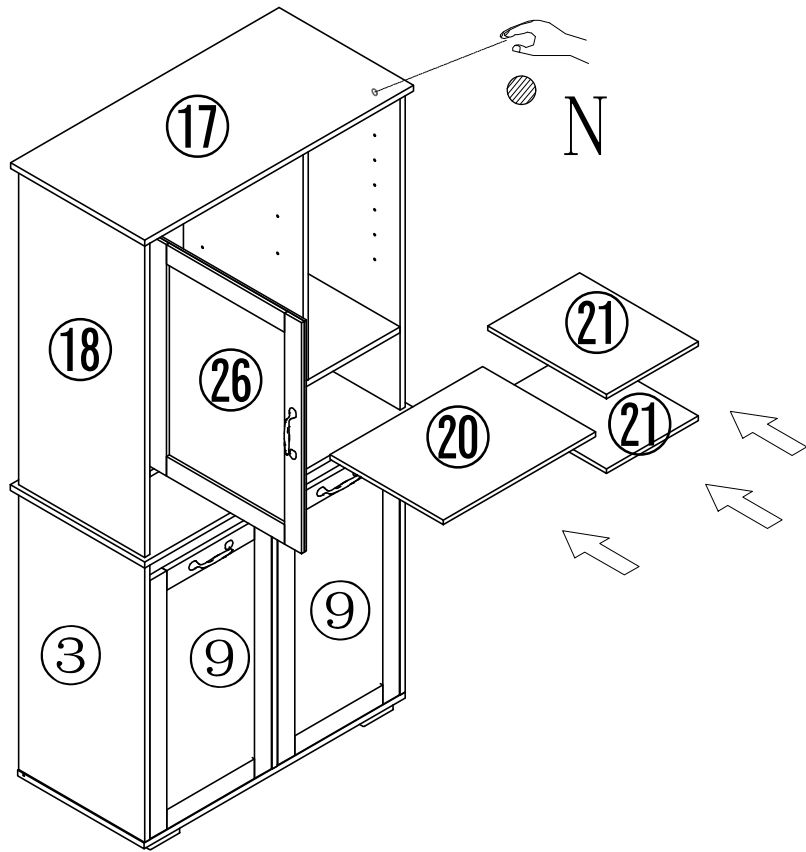
	0*12
	G*4

20



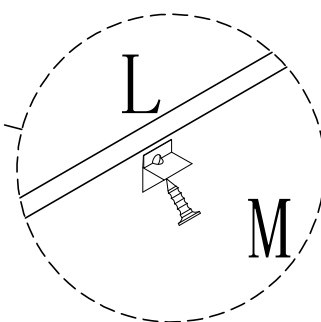
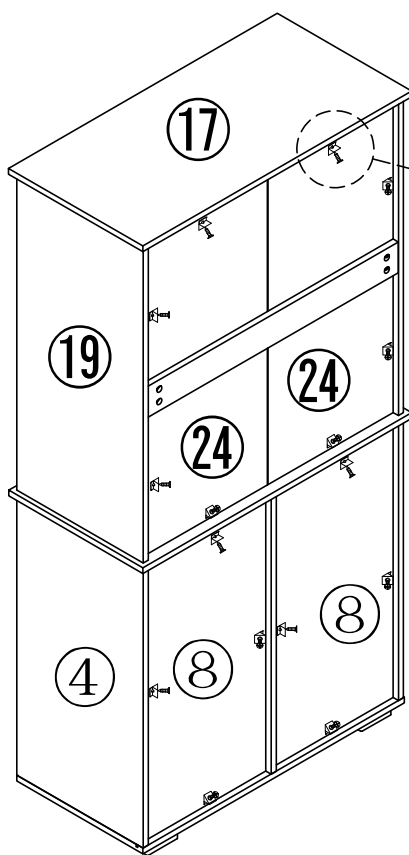
	I*2		D*12
	H*1		P*2

21



N*12

22

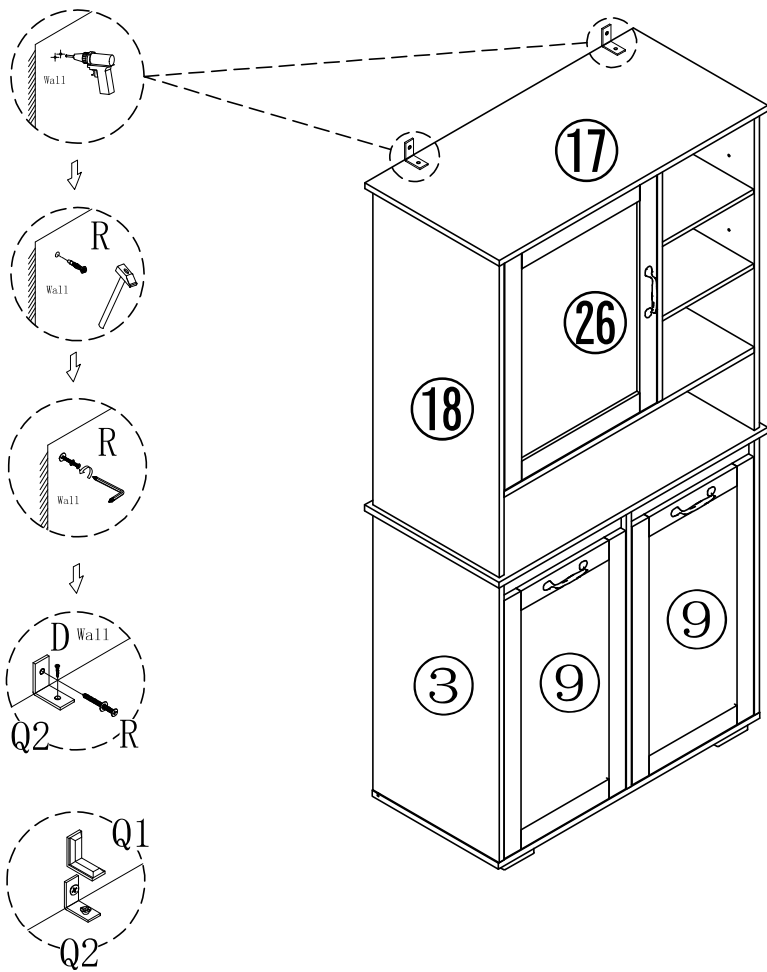


M*16



L*16

23



END

	Q1*2
	Q2*2
	R*2
	D*2