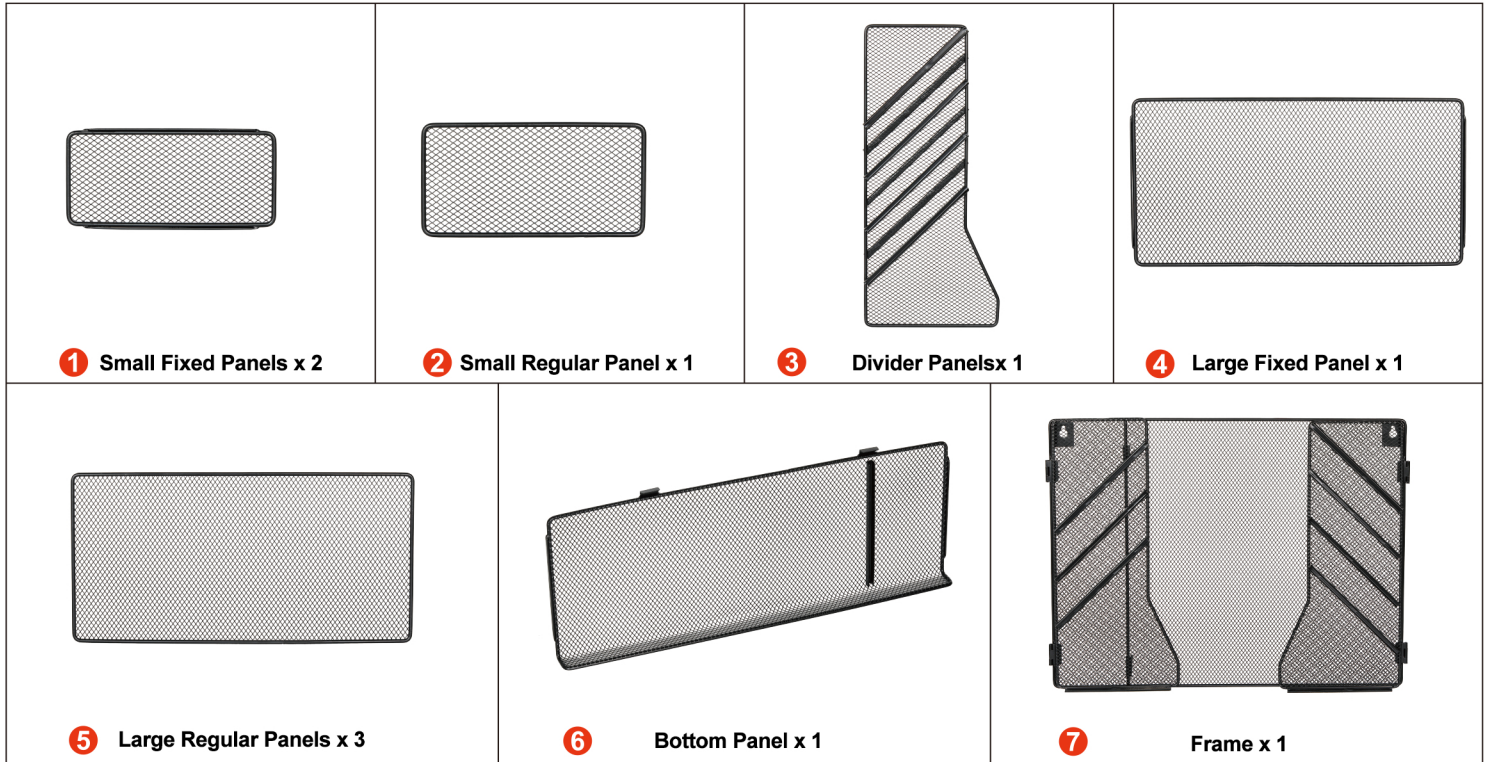
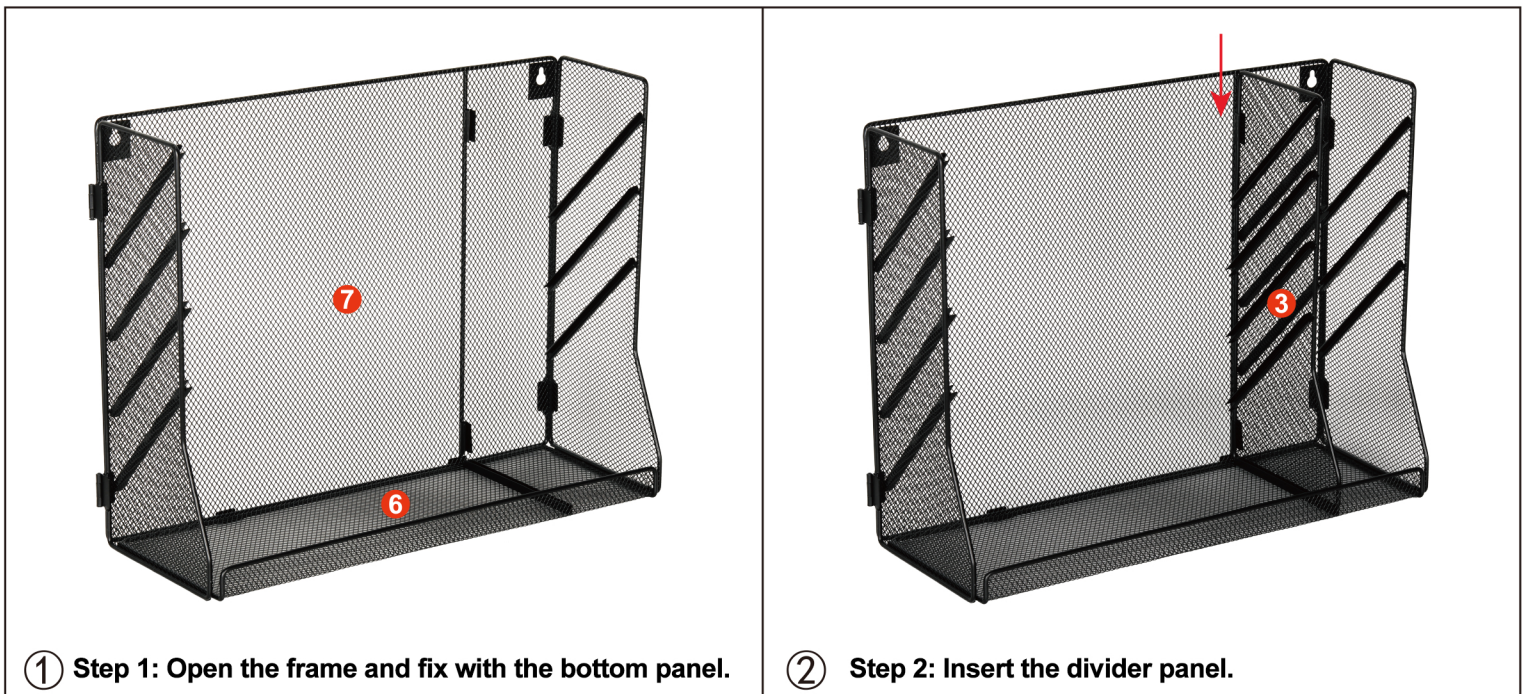


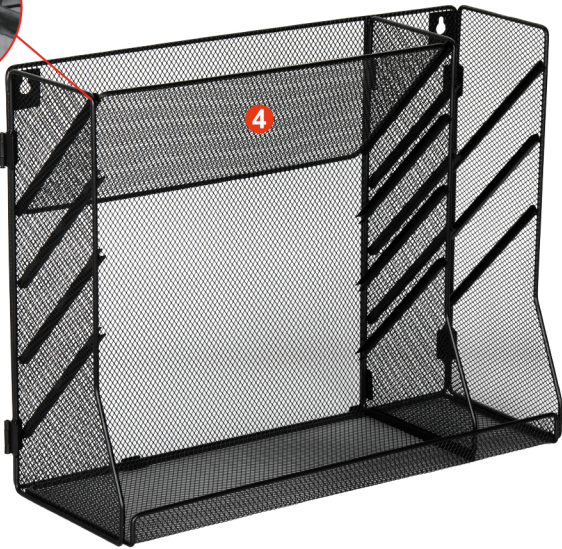
Installation Instructions

Content:

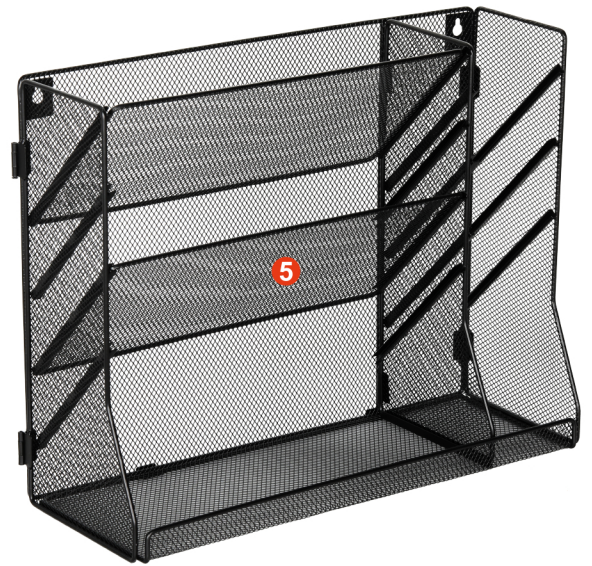


Installation steps:

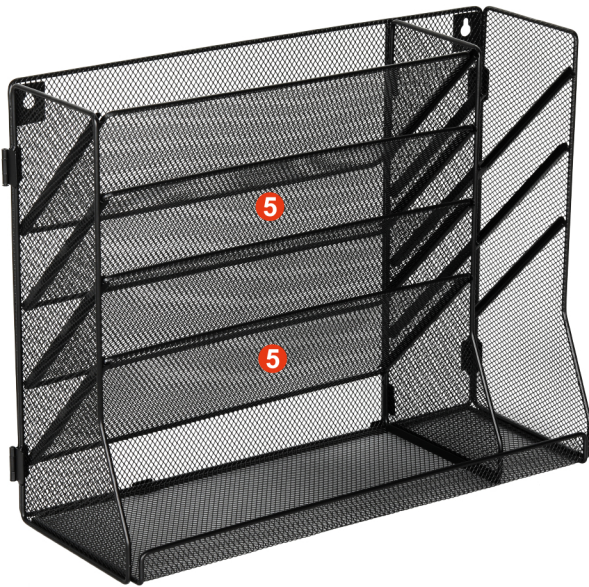




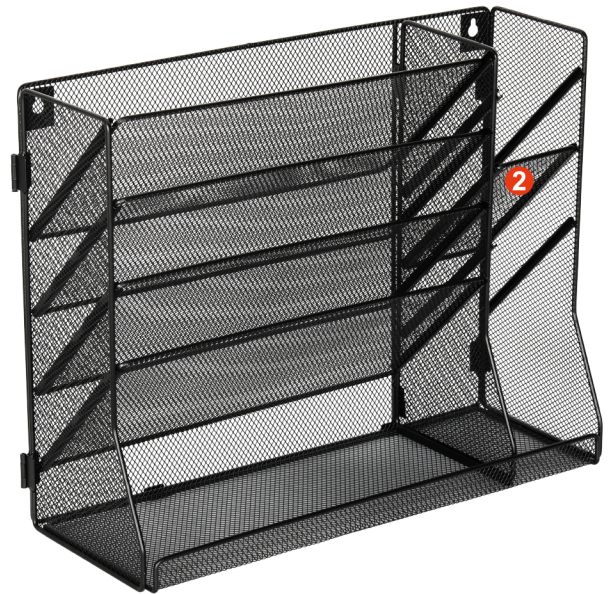
③ Step 3: Insert the large fixed panel to the top groove.



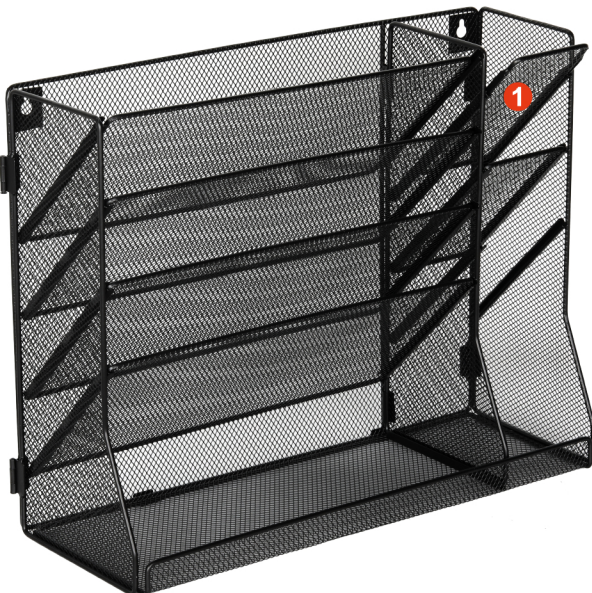
④ Step 4: Start to insert the regular panels to the rest groove.



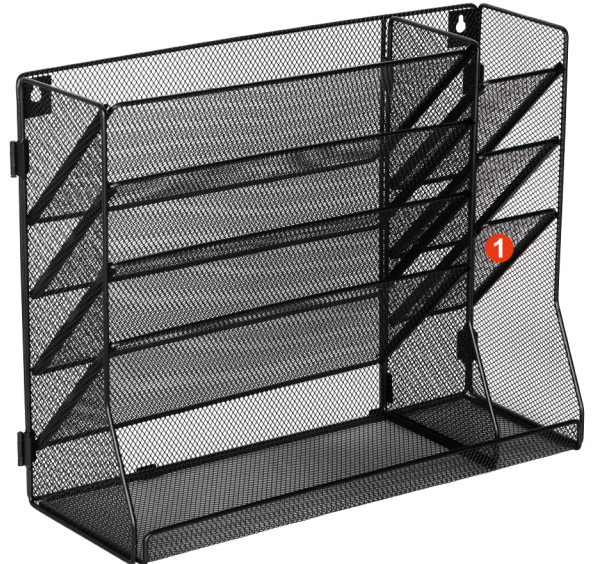
⑤ Step 5: Finish the left part as the image show.



⑥ Step 6: Assemble the regular panel into to the right middle groove.



⑦ Step 7: Assemble the rest 2 small fixed panel to the other 2 groove.



⑧ Step 8: Finish.