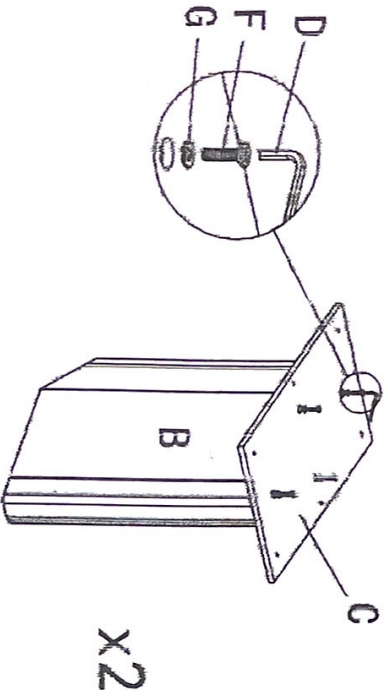


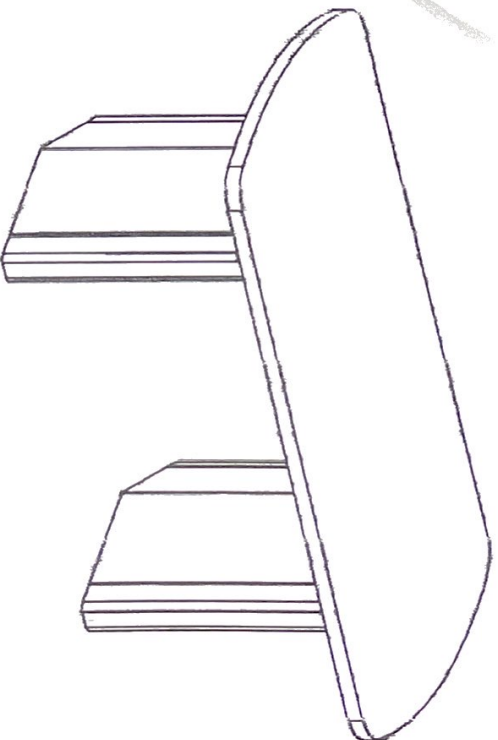
DT1641

ASSEMBLY INSTRUCTION

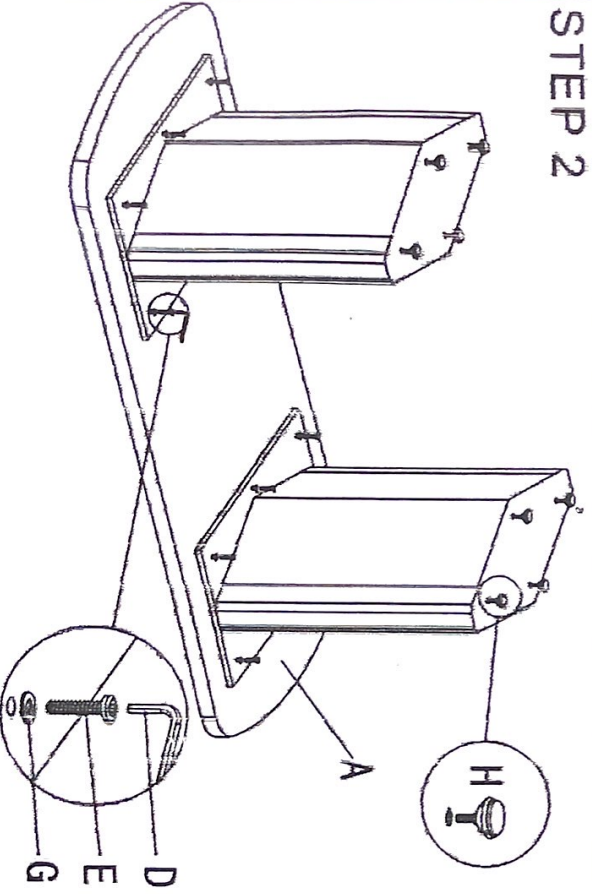
STEP 1



STEP 3



STEP 2



A	B	C	D	E
1	2	2	1	12
F	G	H		
8	20	8		