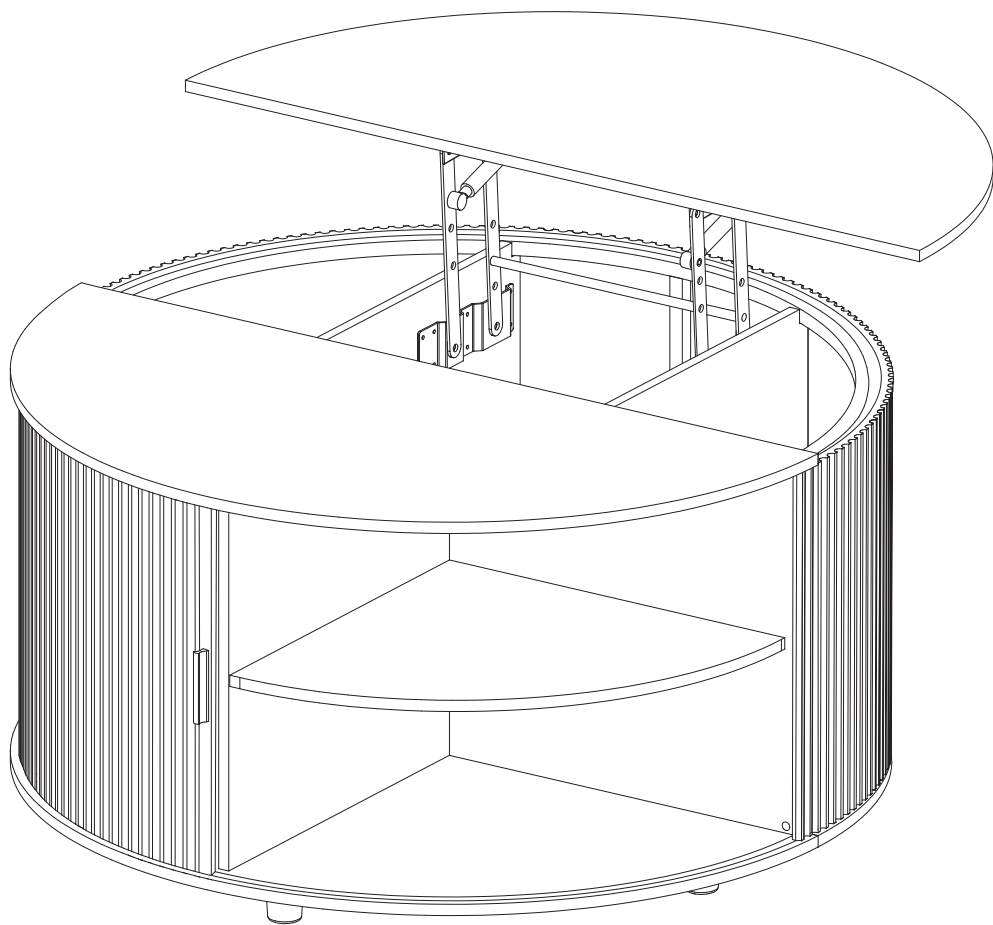
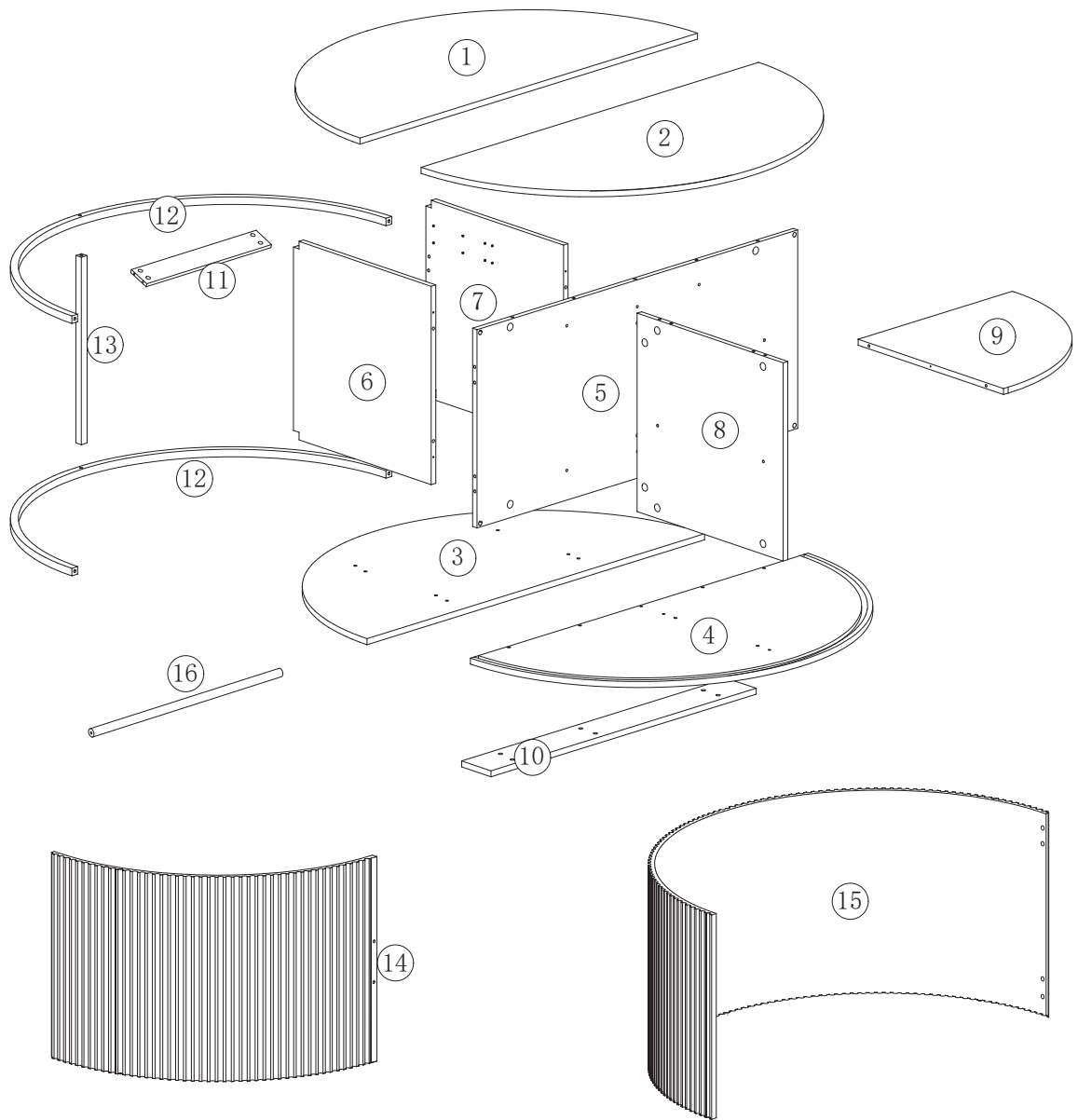

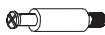

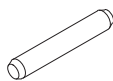

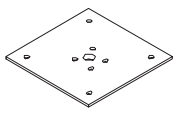
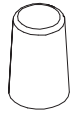

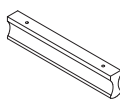

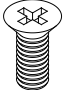
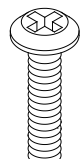
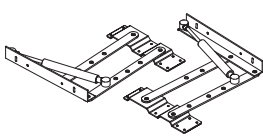




# Coffee table Kaffeetisch

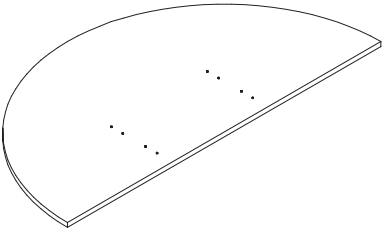
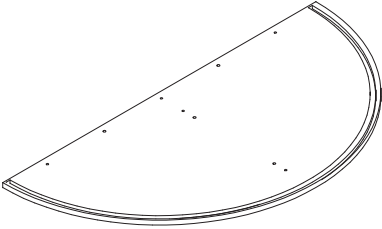
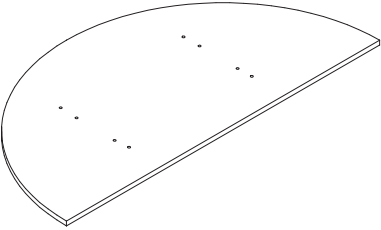
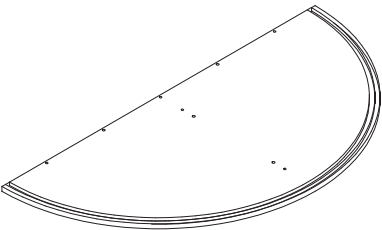
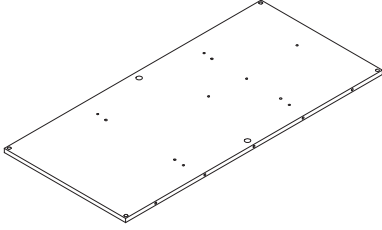
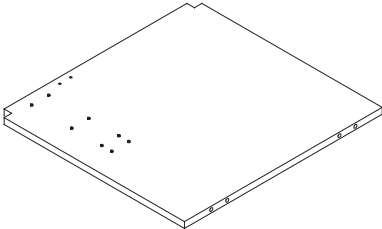
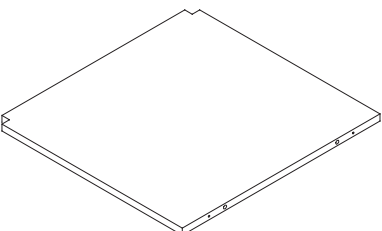
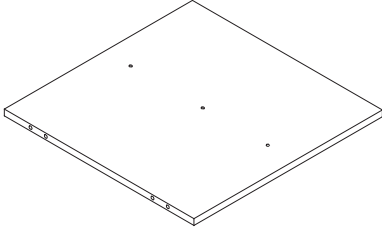
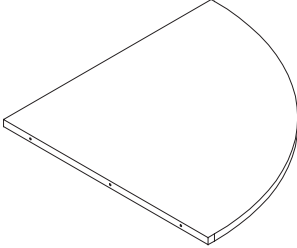
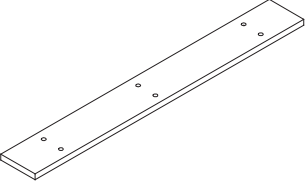
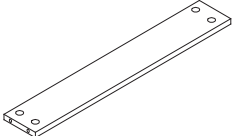
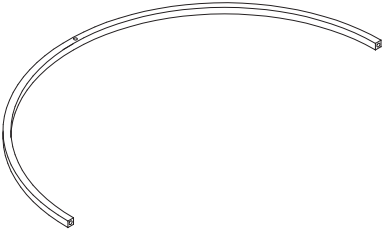
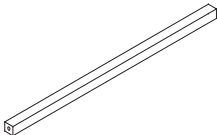
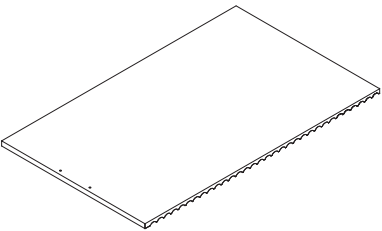
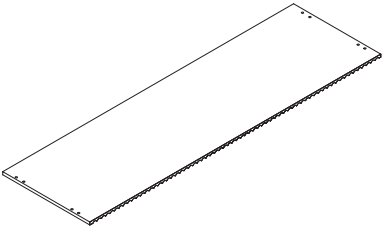
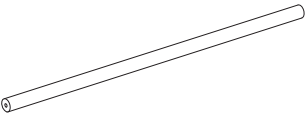


# ASSEMBLY INSTRUCTION



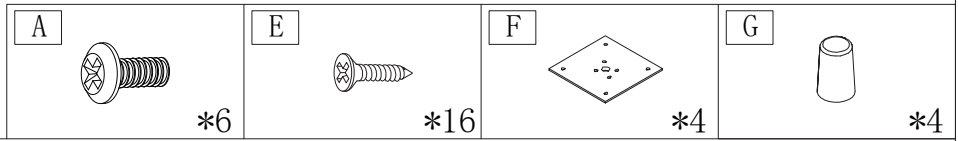
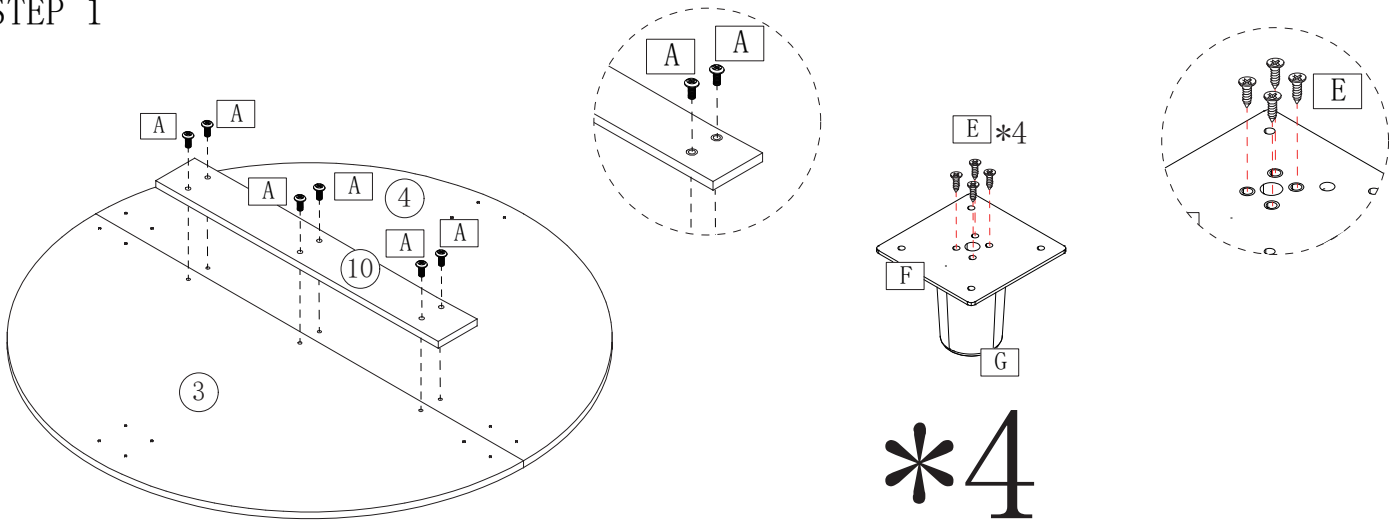
<p><b>A</b> M6x18mm</p>  <p>X8+2</p>	<p><b>B</b> M6x28mm</p>  <p>X20+3</p>	<p><b>C</b> <math>\varnothing</math>15x9mm</p>  <p>X20+3</p>	<p><b>D</b> M6x30mm</p>  <p>X24+3</p>	<p><b>E</b> M3.5x12mm</p>  <p>X32+5</p>
<p><b>F</b></p>  <p>X4</p>	<p><b>G</b> L 60mm</p>  <p>X4</p>	<p><b>H</b> M4x15mm</p>  <p>X2+1</p>	<p><b>I</b></p>  <p>X1</p>	<p><b>J</b> M5x40mm</p>  <p>X12+2</p>
<p><b>K</b> M4x8mm</p>  <p>X24+2</p>	<p><b>L</b> M6x25mm</p>  <p>X6+2</p>	<p><b>M</b></p>  <p>X1</p>	<p><b>N</b></p>  <p>X1</p>	<p><b>O</b></p>  <p>X36+4</p>

# ASSEMBLY INSTRUCTION

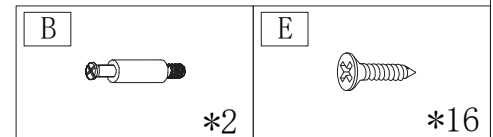
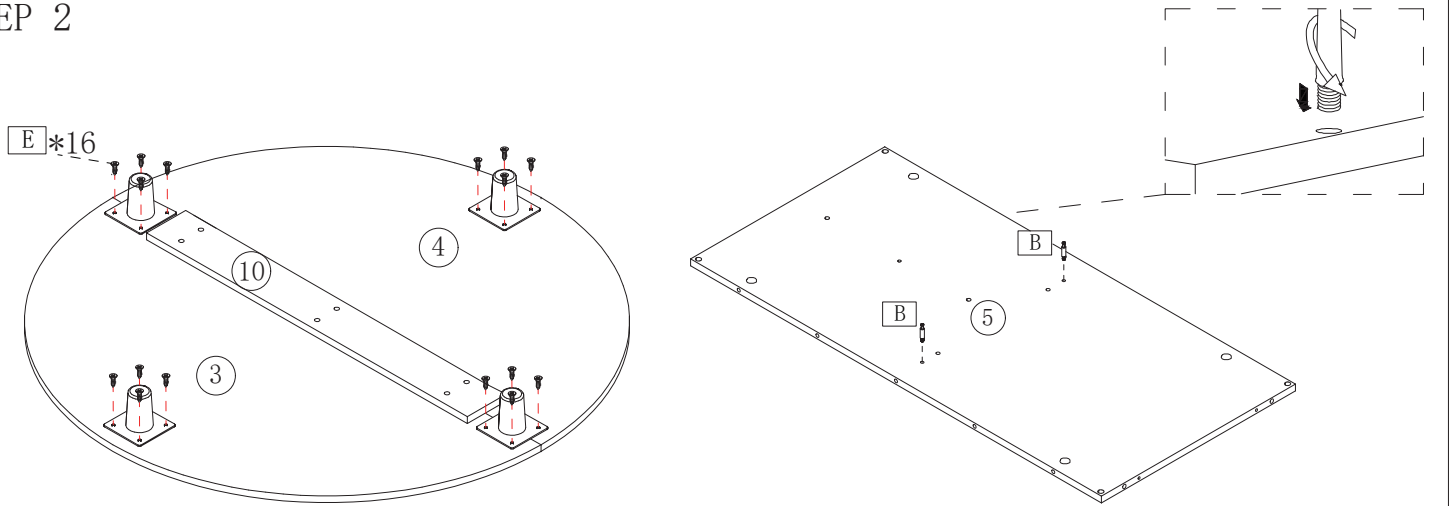
<p>①</p>  <p>X1</p>	<p>②</p>  <p>X1</p>	<p>③</p>  <p>X1</p>
<p>④</p>  <p>X1</p>	<p>⑤</p>  <p>X1</p>	<p>⑥</p>  <p>X1</p>
<p>⑦</p>  <p>X1</p>	<p>⑧</p>  <p>X1</p>	<p>⑨</p>  <p>X1</p>
<p>⑩</p>  <p>X1</p>	<p>⑪</p>  <p>X1</p>	<p>⑫</p>  <p>X2</p>
<p>⑬</p>  <p>X1</p>	<p>⑭</p>  <p>X1</p>	<p>⑮</p>  <p>X1</p>
<p>⑯</p>  <p>X1</p>		

# ASSEMBLY INSTRUCTION

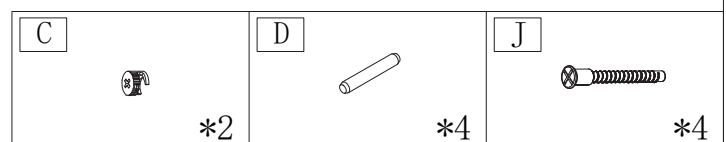
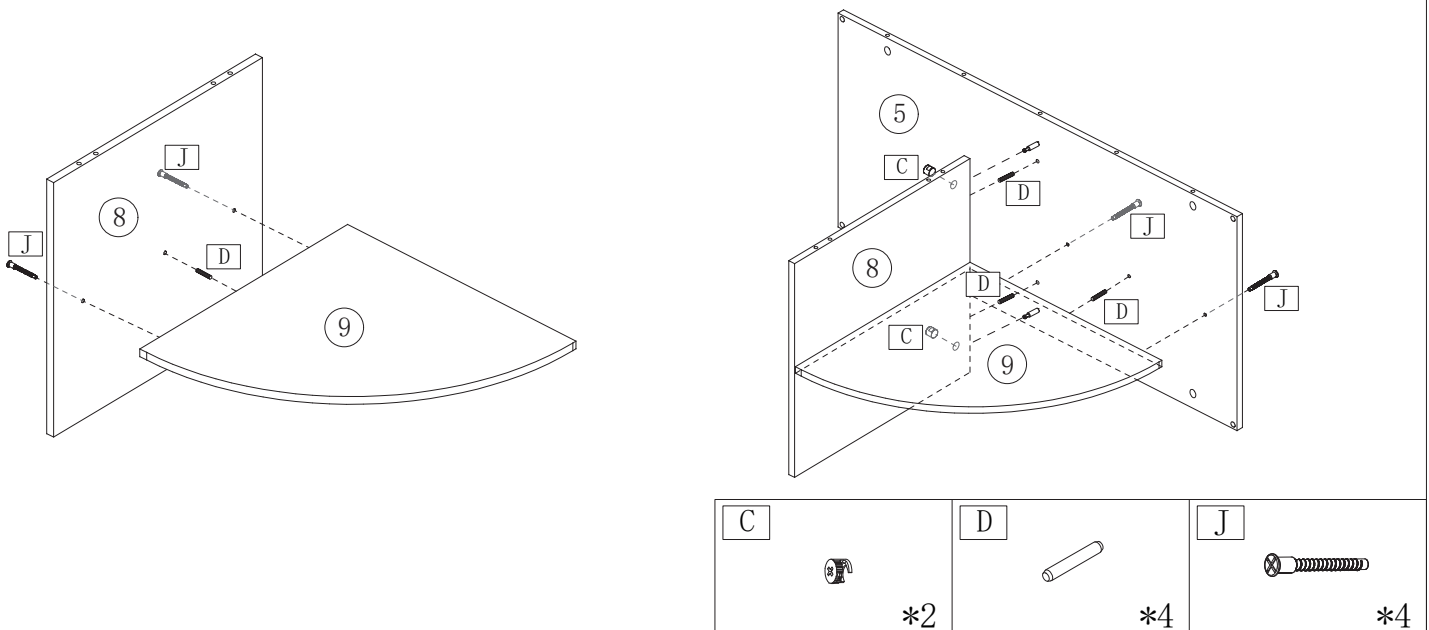
## STEP 1



## STEP 2

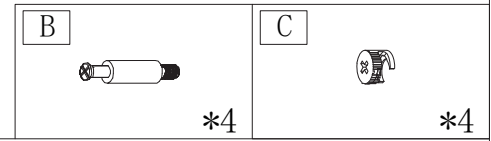
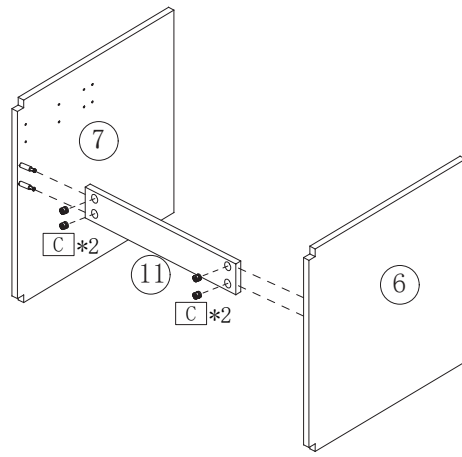
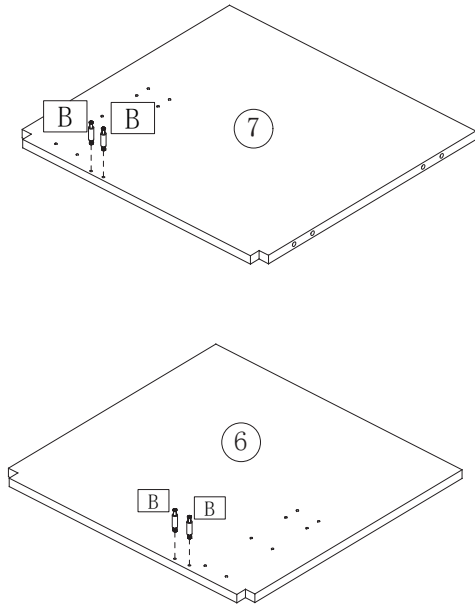


## STEP 3

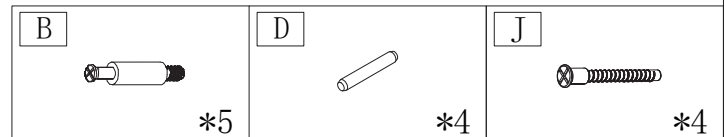
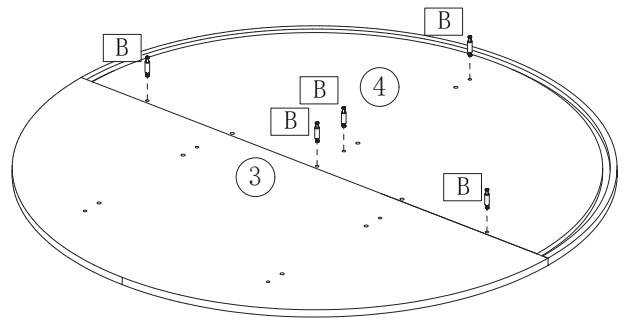
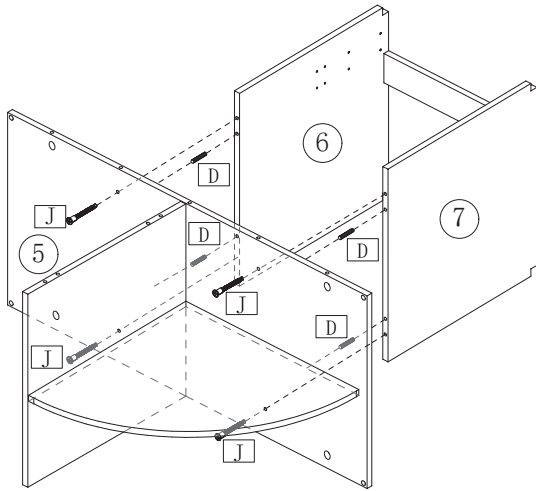


# ASSEMBLY INSTRUCTION

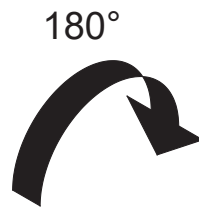
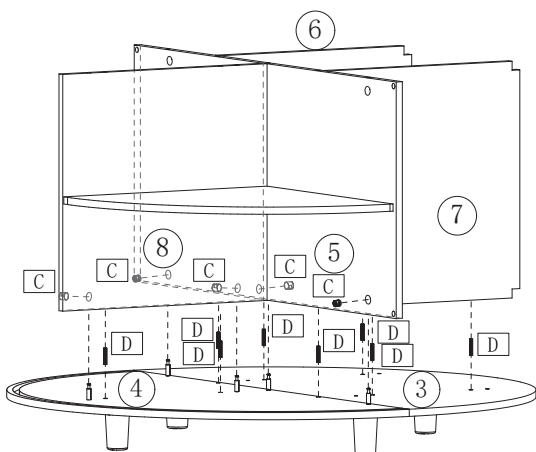
## STEP 4



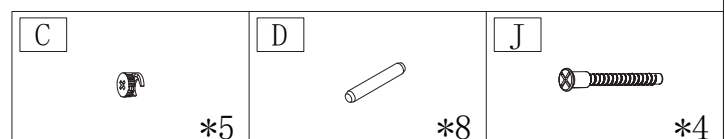
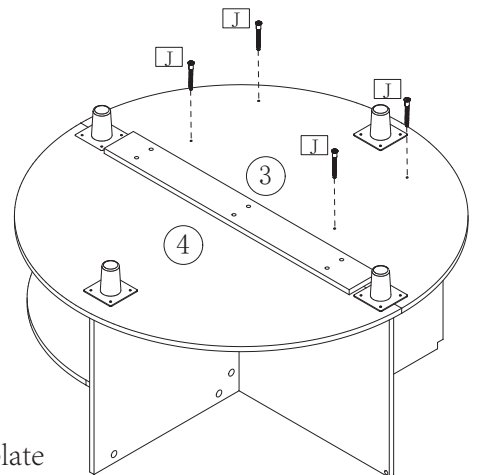
## STEP 5



## STEP 6

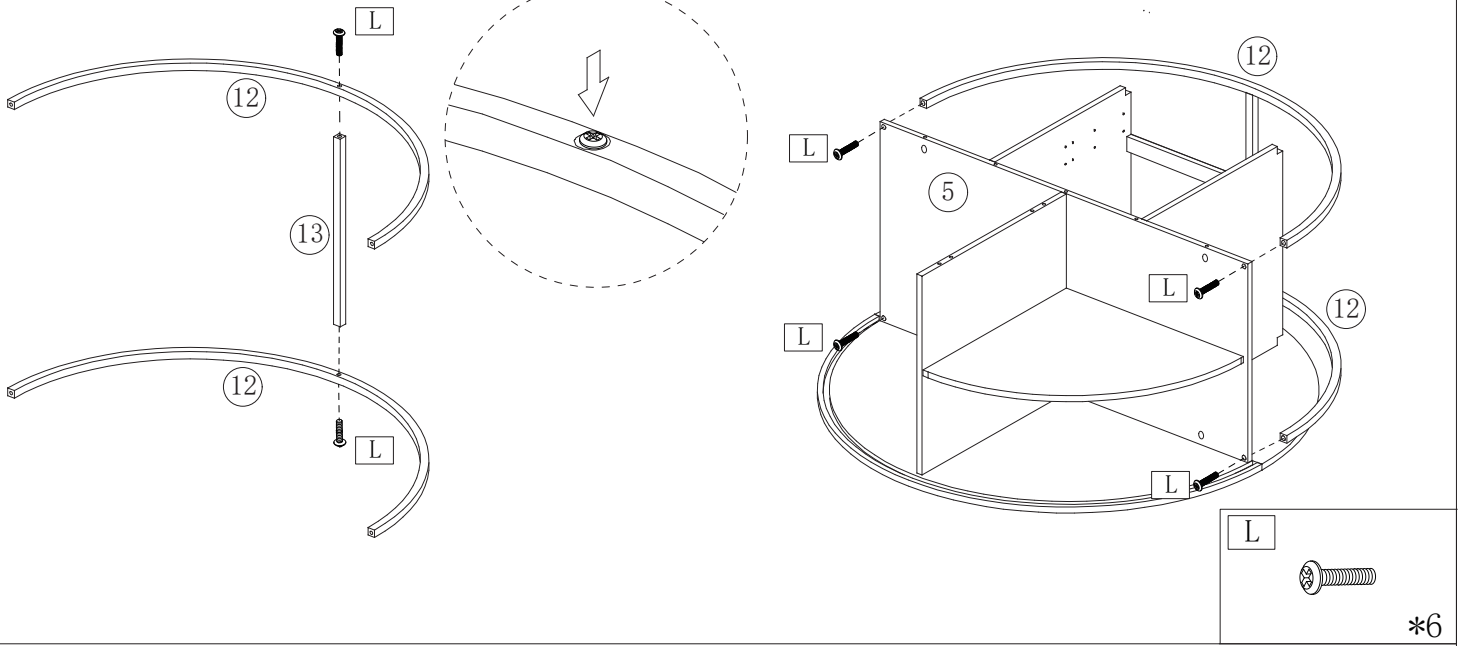


Please pay attention to the installation direction of the plate



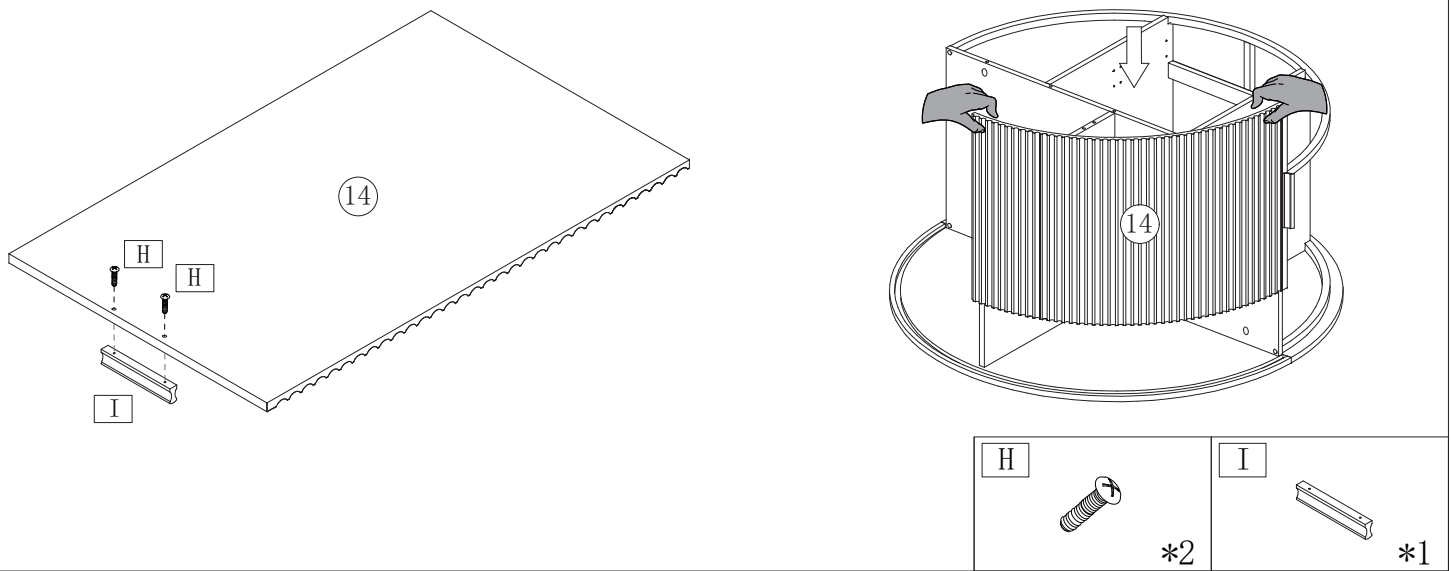
# ASSEMBLY INSTRUCTION

## STEP 7

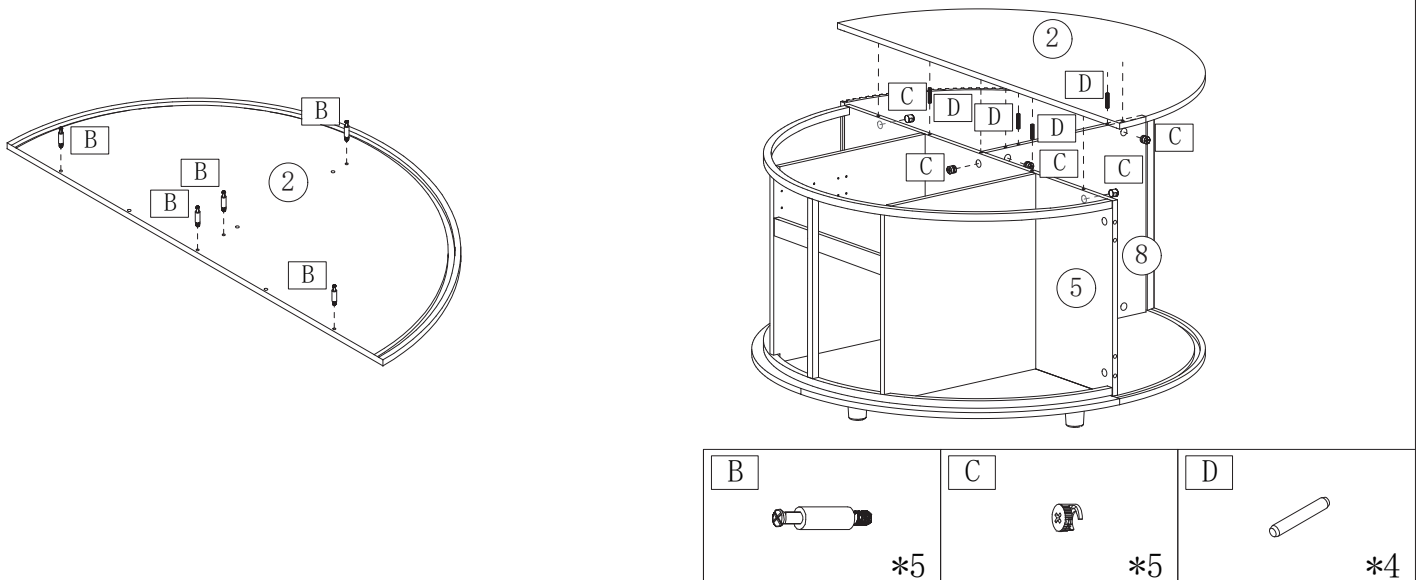


## STEP 8

Pay attention to safety.  
Please hold on firmly with your hand.

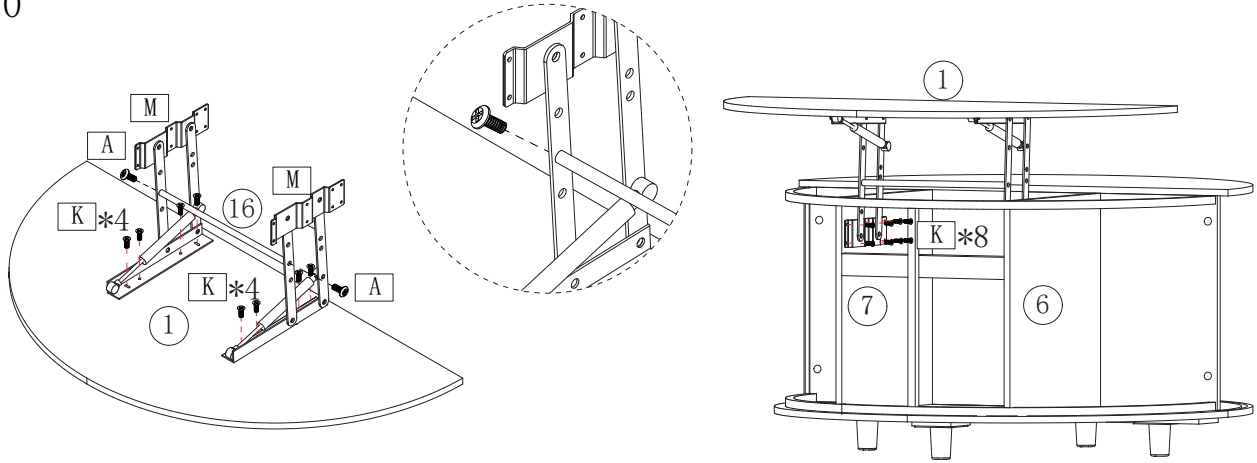


## STEP 9

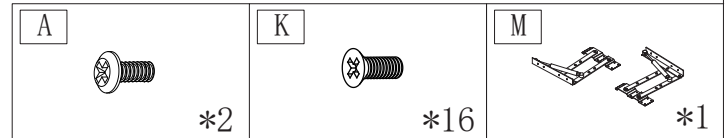


# ASSEMBLY INSTRUCTION

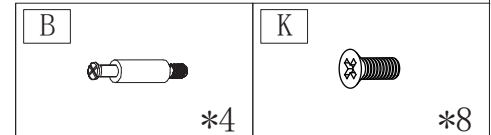
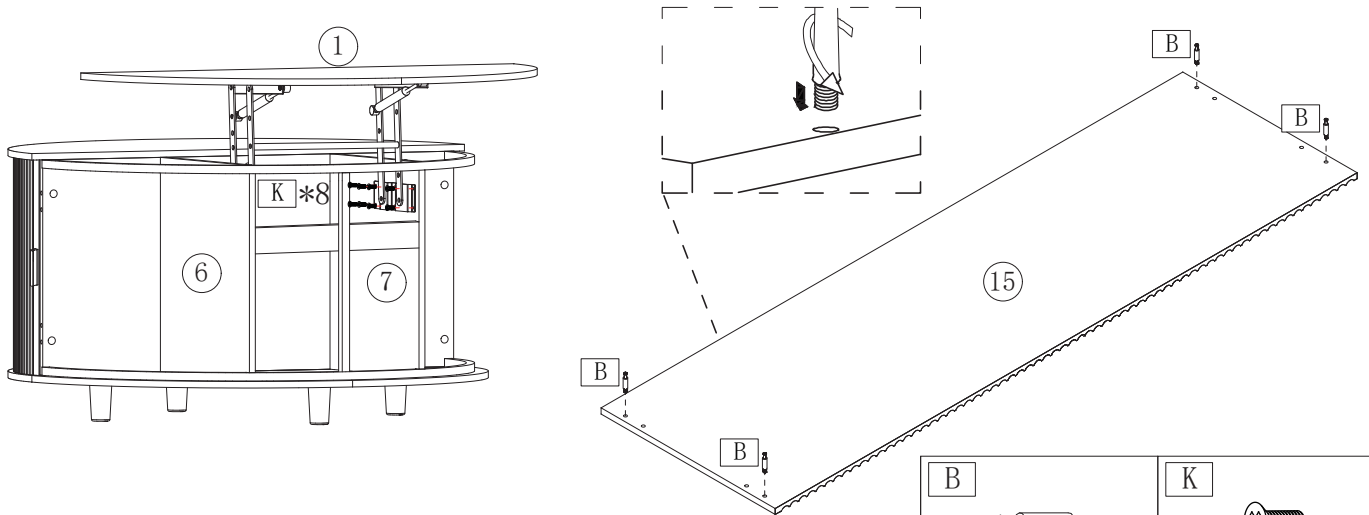
## STEP 10



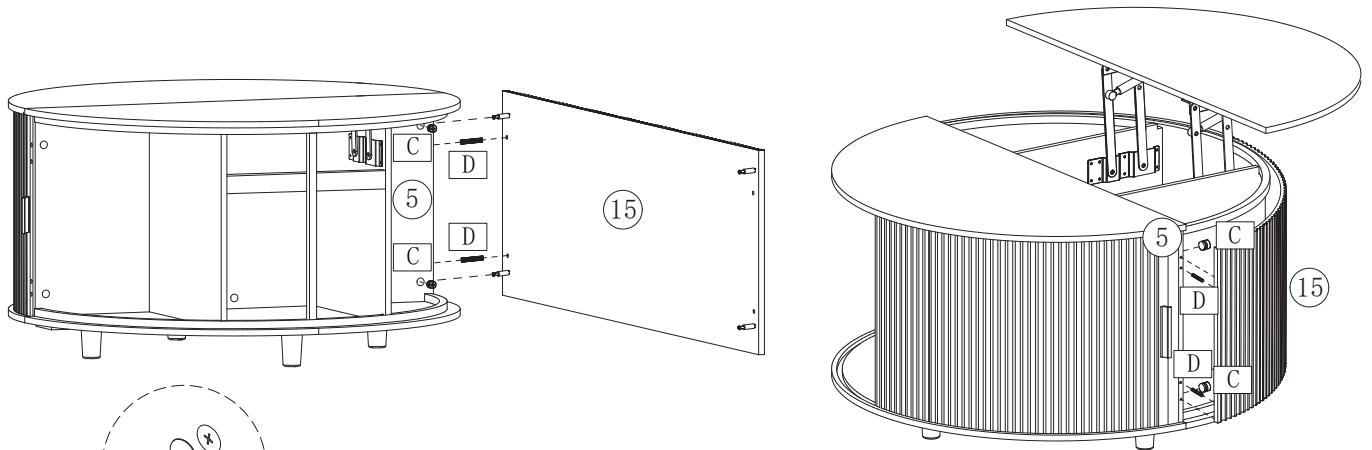
First, install Part M onto Panel No. 1, and then connect Part No. 16 to Part M.



## STEP 11



## STEP 12



In order to make the product more beautiful, please paste hardware O on the exposed holes

