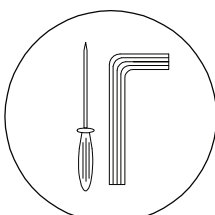
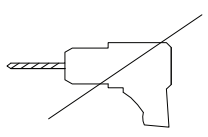
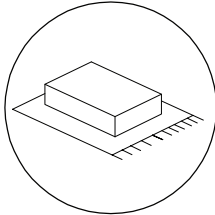
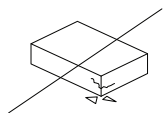
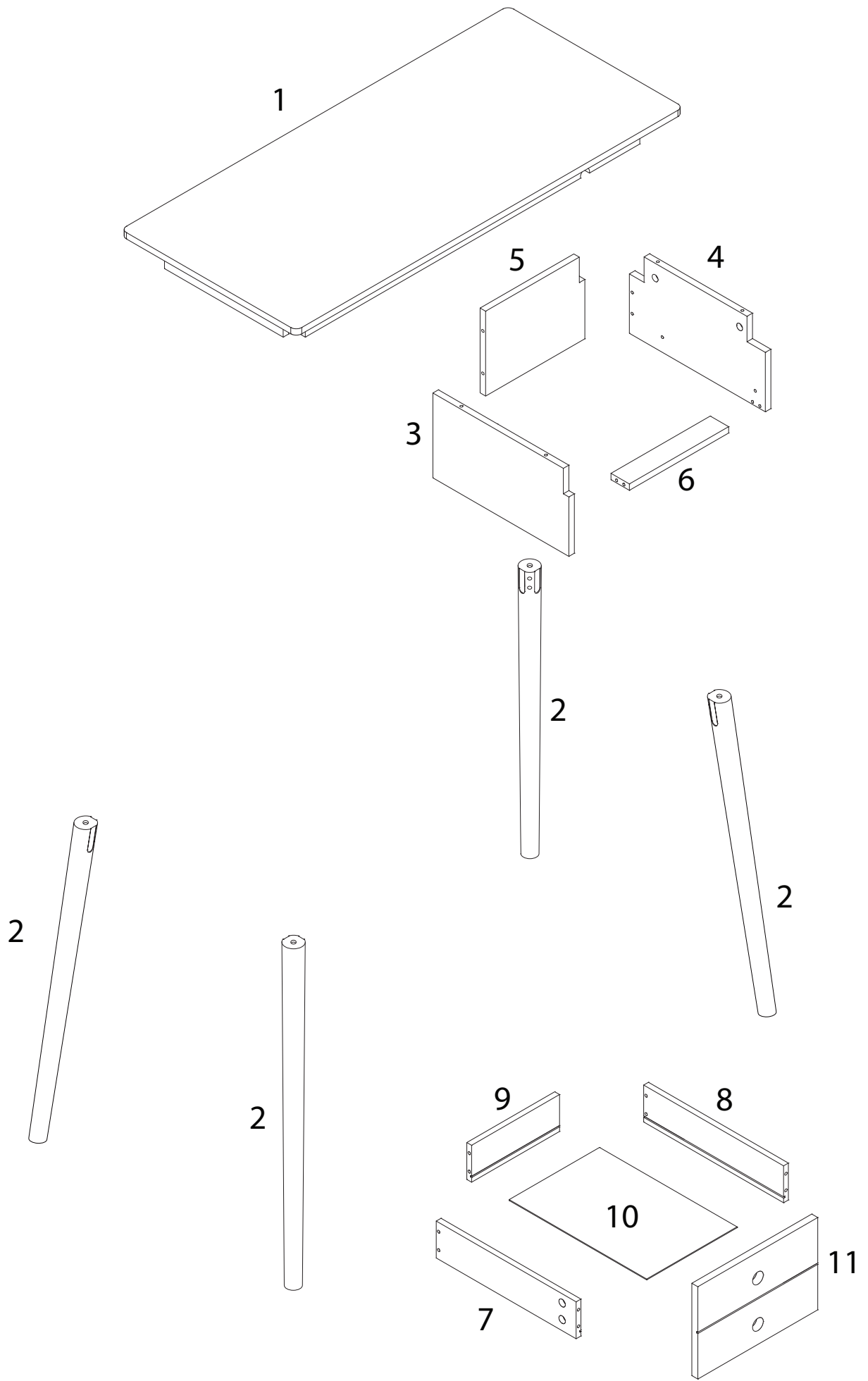


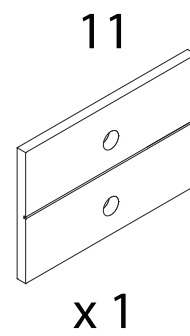
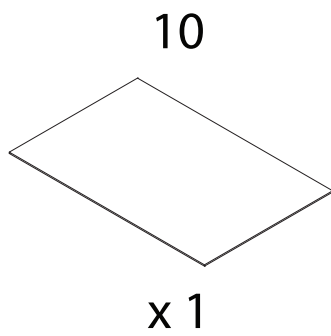
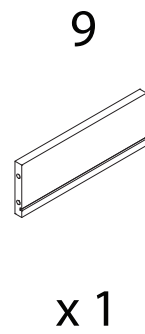
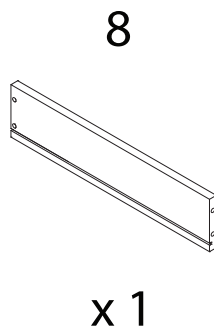
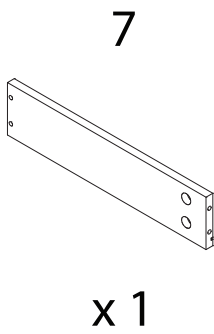
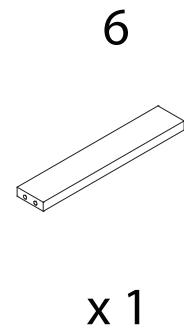
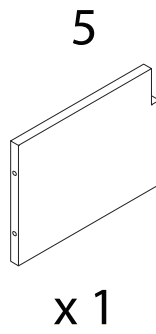
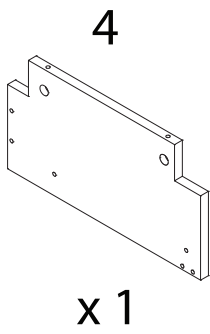
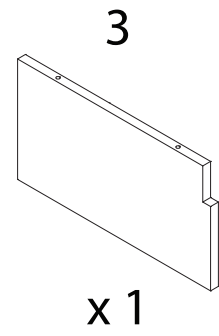
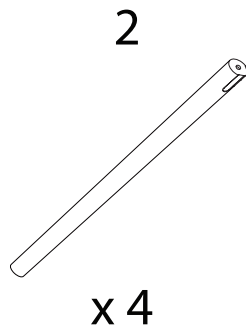
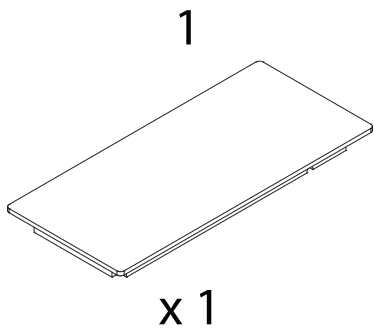
!   !

45'

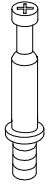
!   !

2



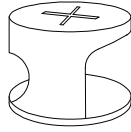


A



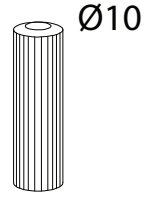
x 14

B



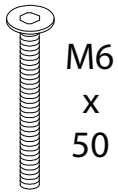
x 14

C



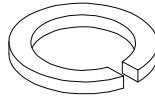
x 4

D



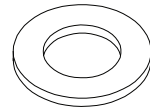
x 8

E



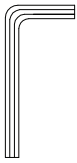
x 8

F



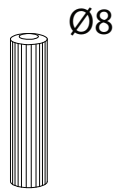
x 8

G



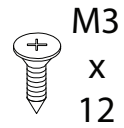
x 1

H



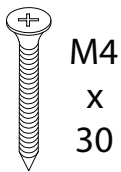
x 2

I



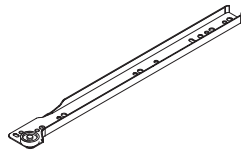
x 8

J



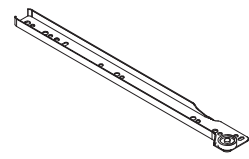
x 4

K



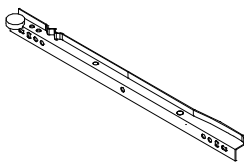
x 1

L



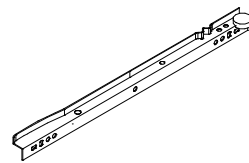
x 1

M



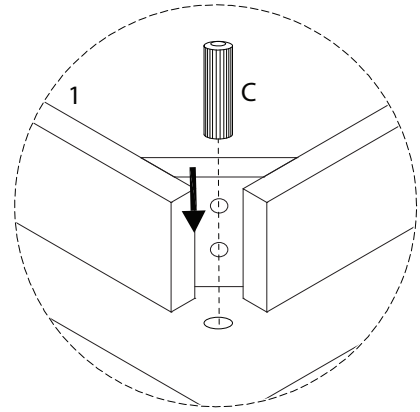
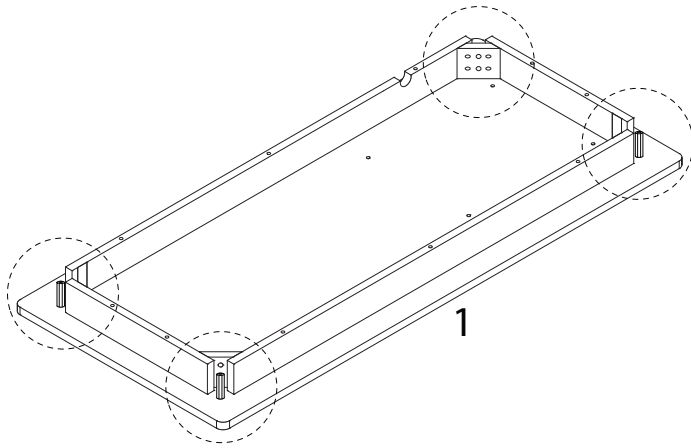
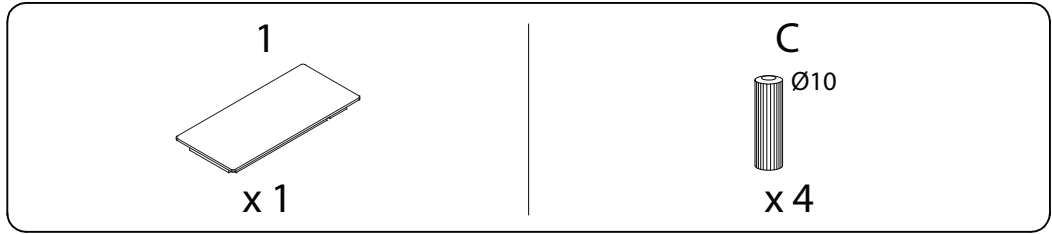
x 1

N

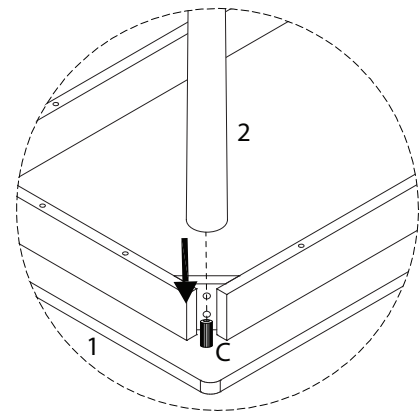
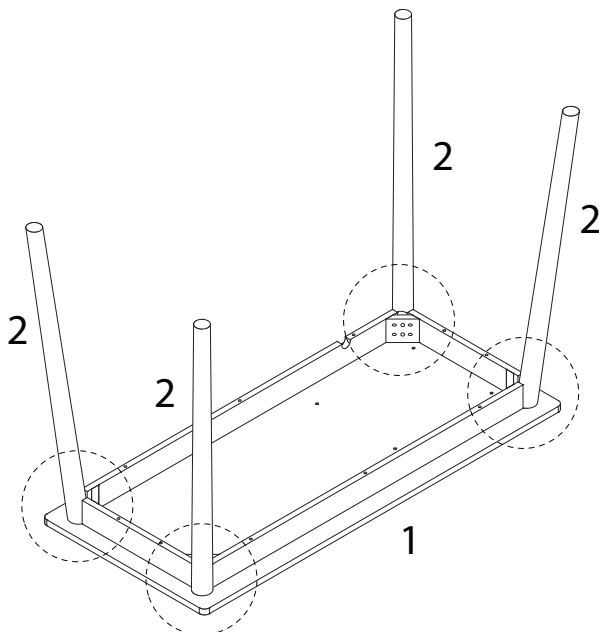
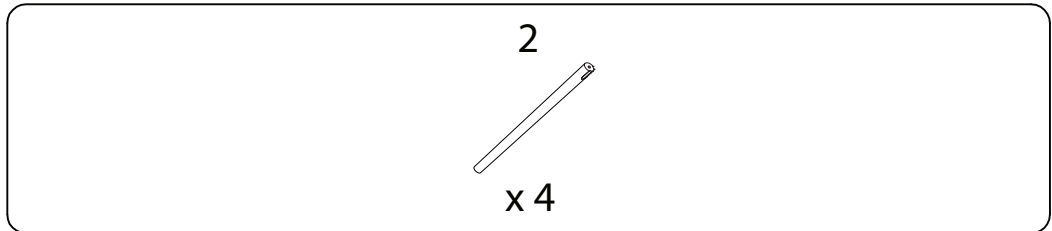


x 1

1



2



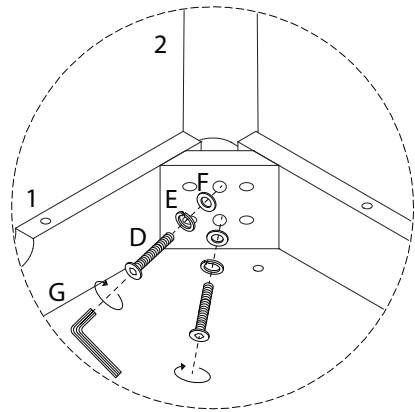
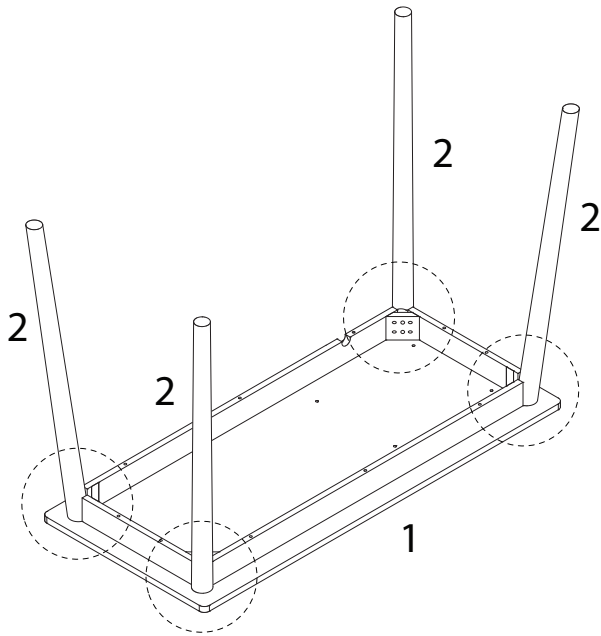
3

D  
M6  
x  
50  
x 8

E  
x 8

F  
x 8

G  
x 1

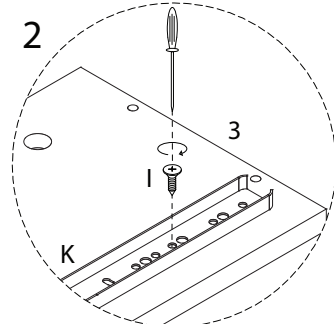
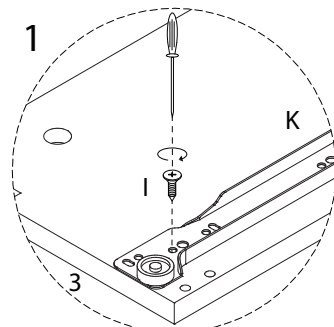
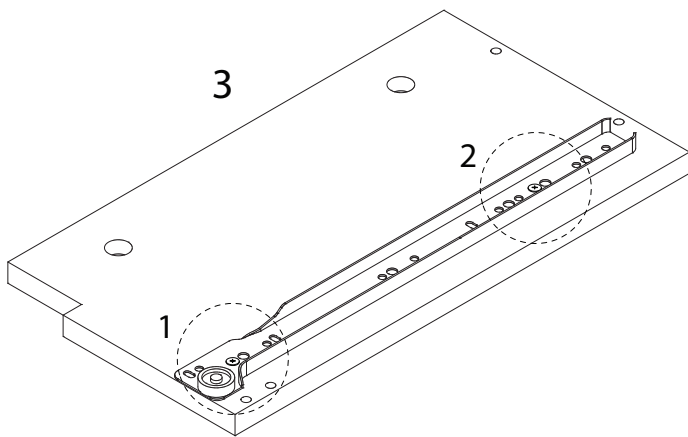


4

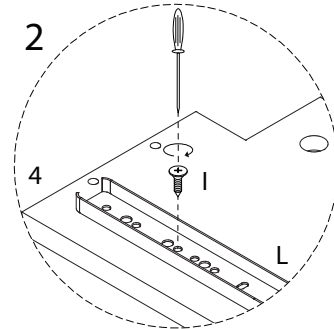
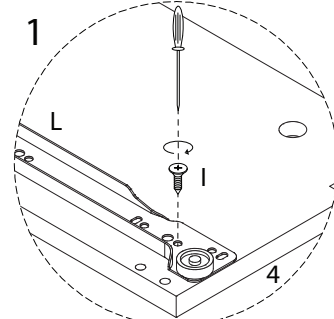
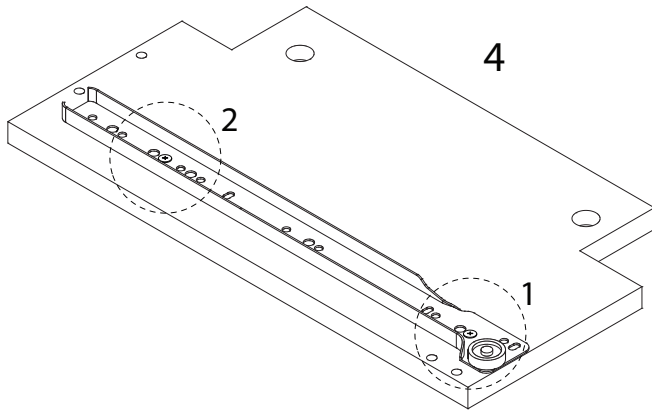
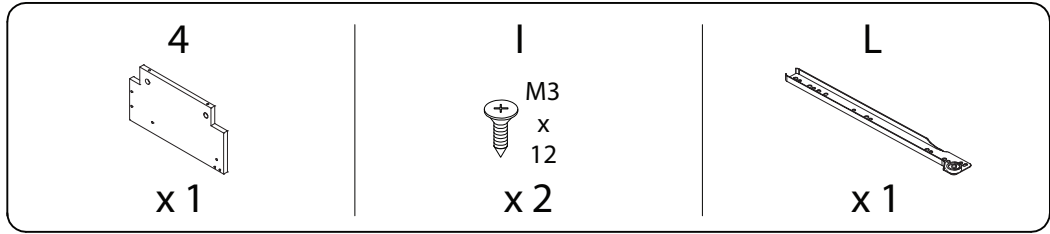
3  
x 1

I  
M3  
x  
12  
x 2

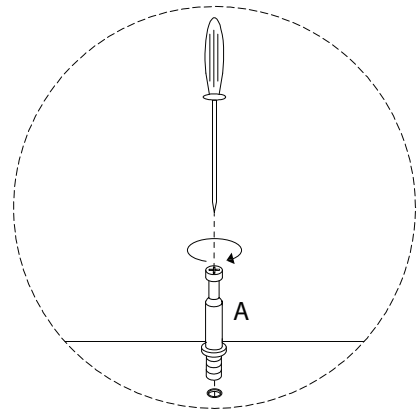
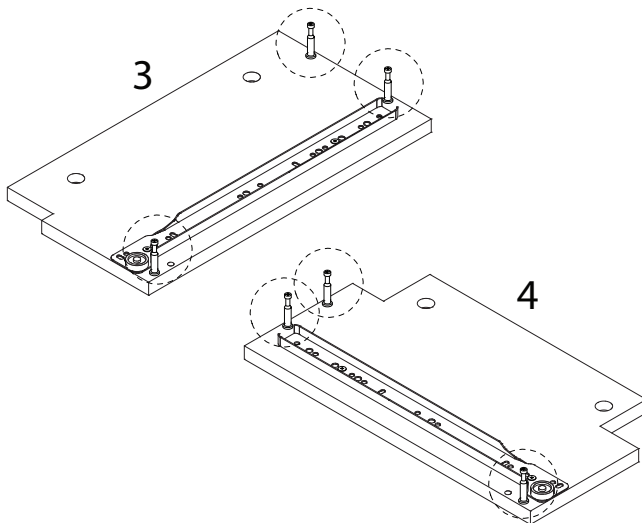
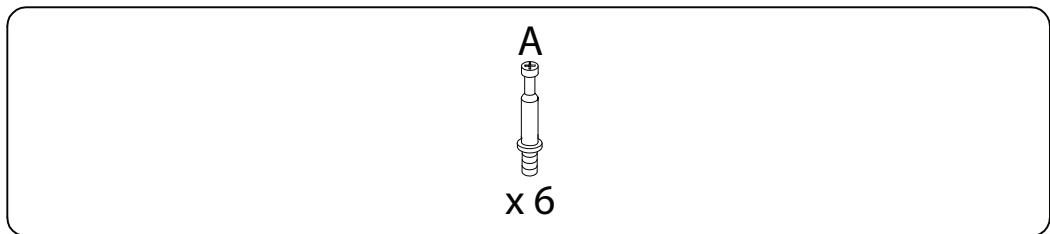
K  
x 1



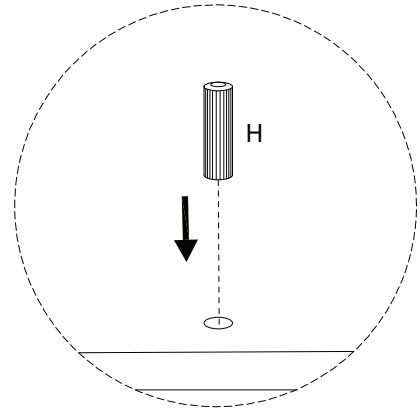
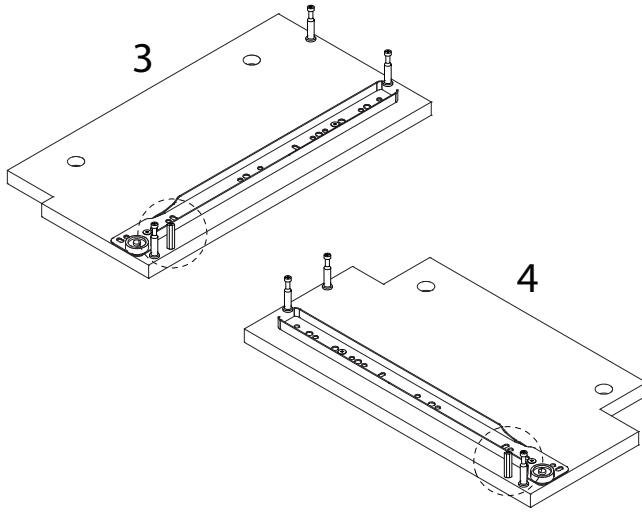
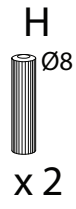
5



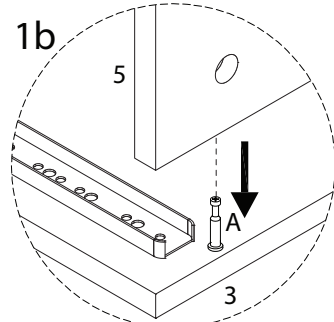
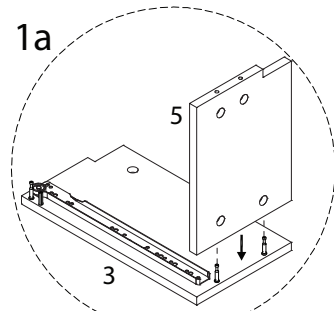
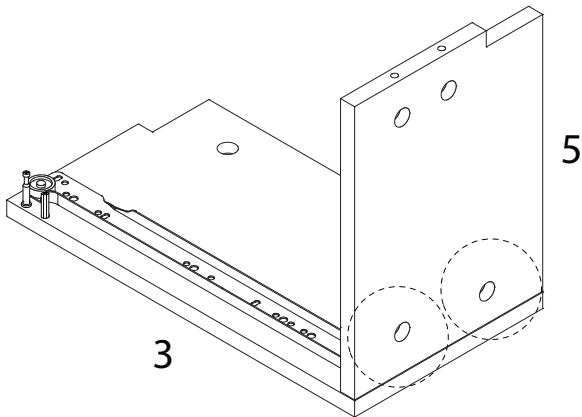
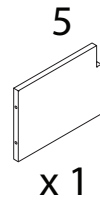
6



7



8

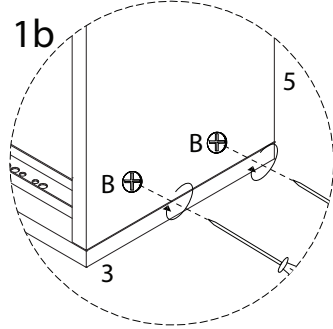
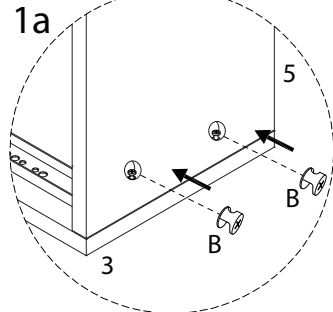
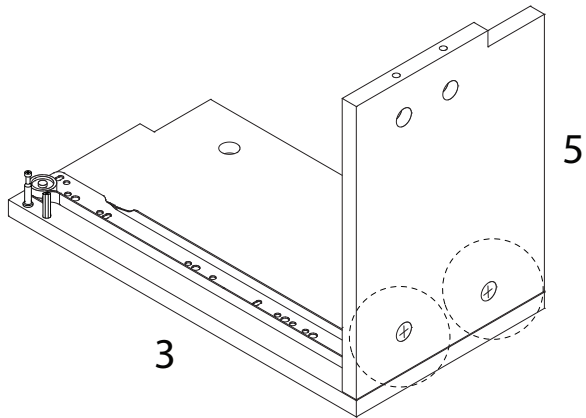


9

B

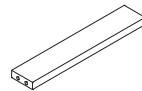


x2

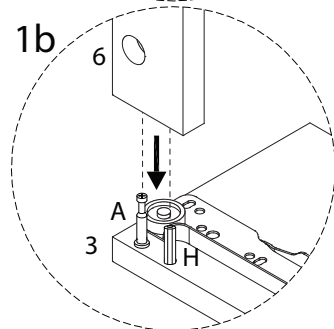
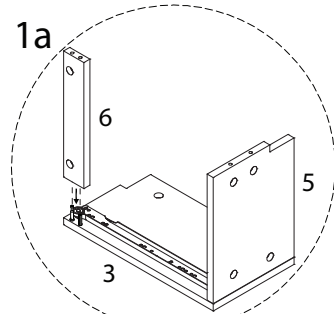
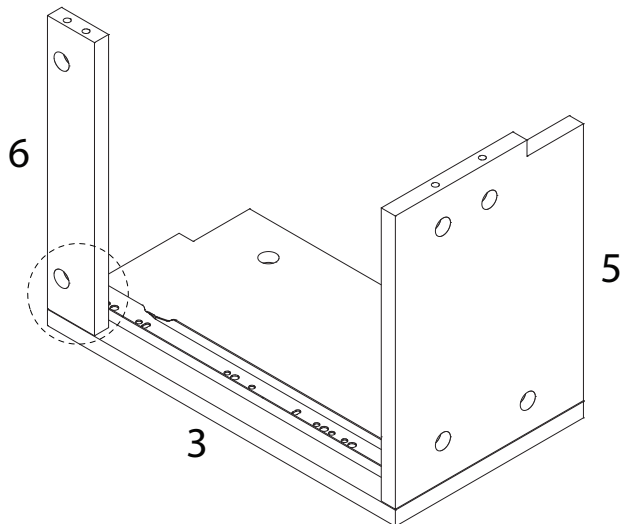


10

6



x1

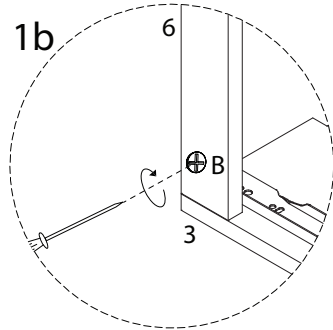
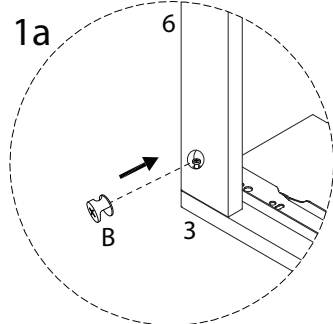
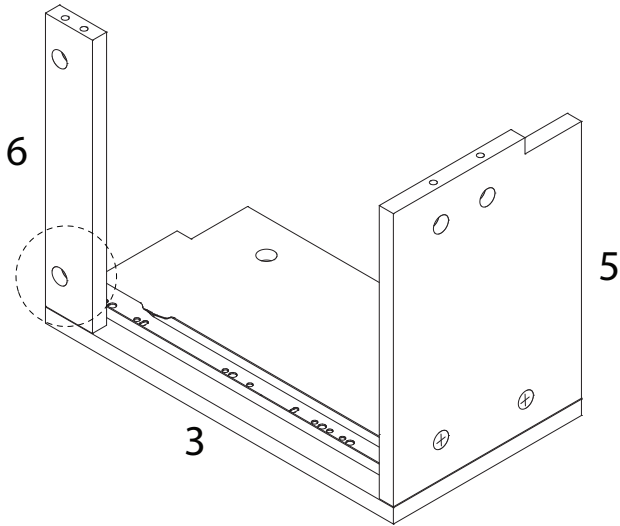


11

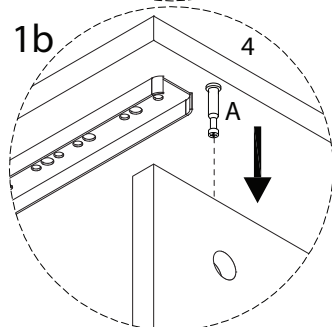
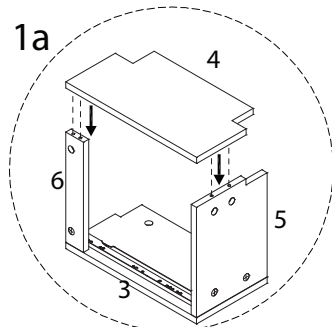
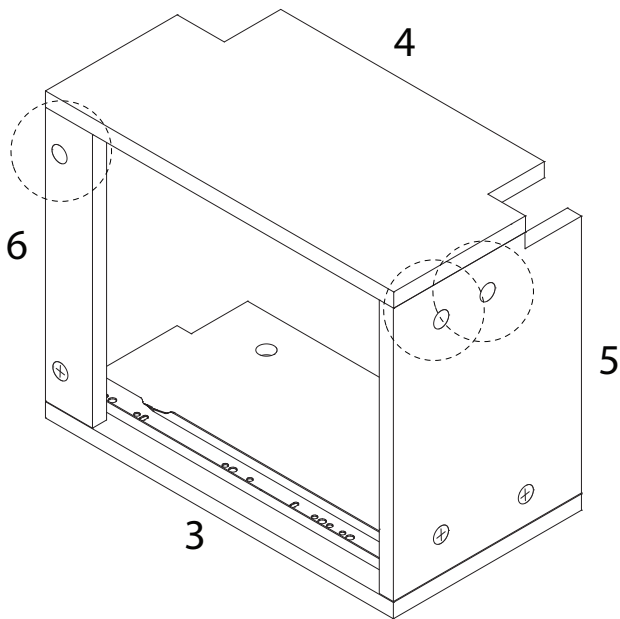
B



x 1



12

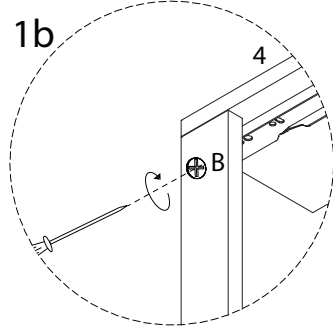
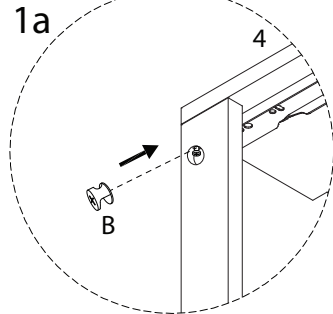
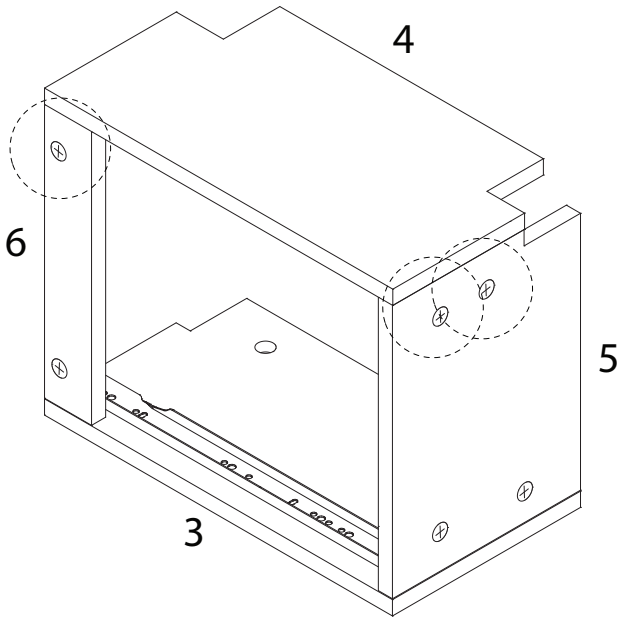


13

B



x 3

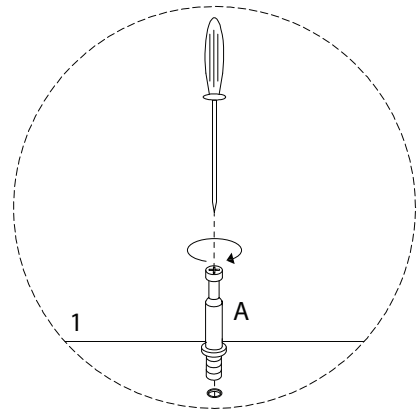
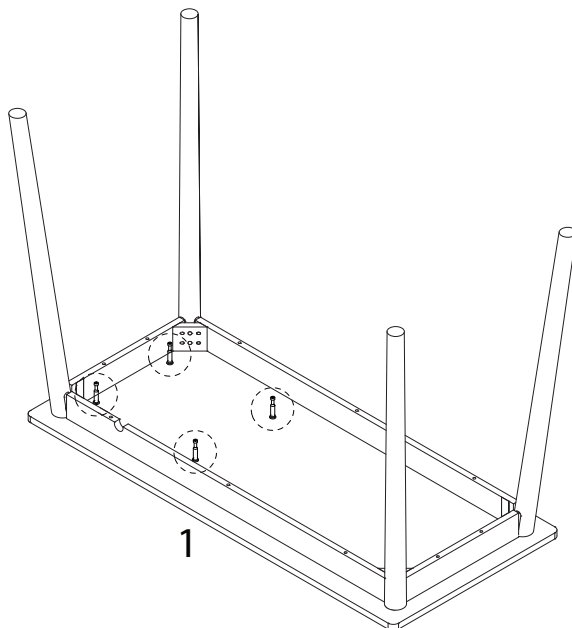


14

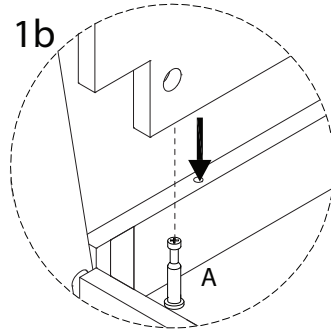
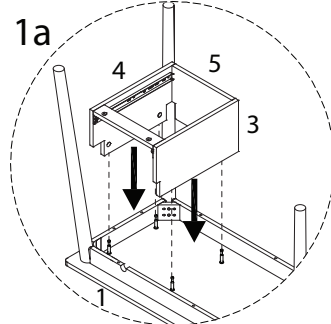
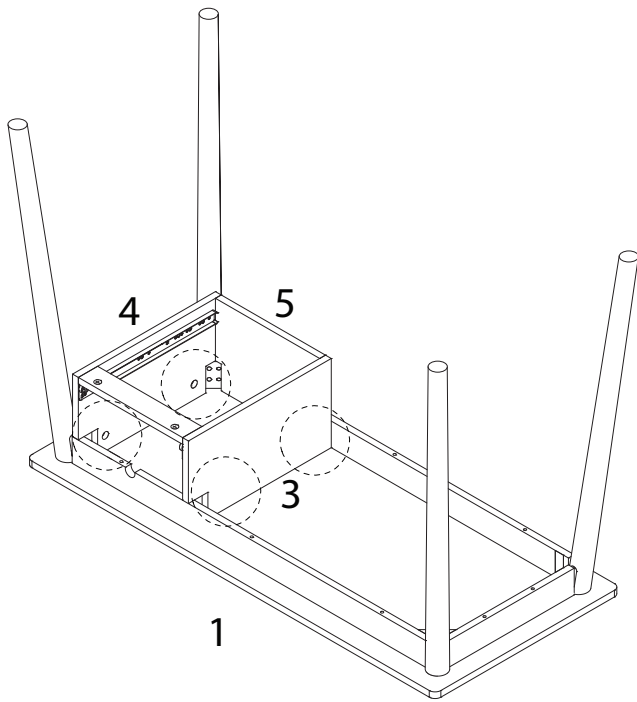
A



x 4



15

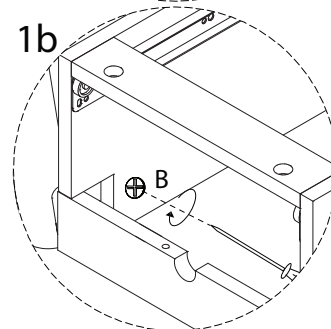
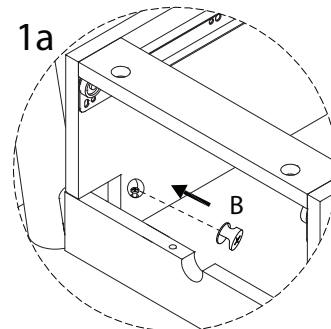
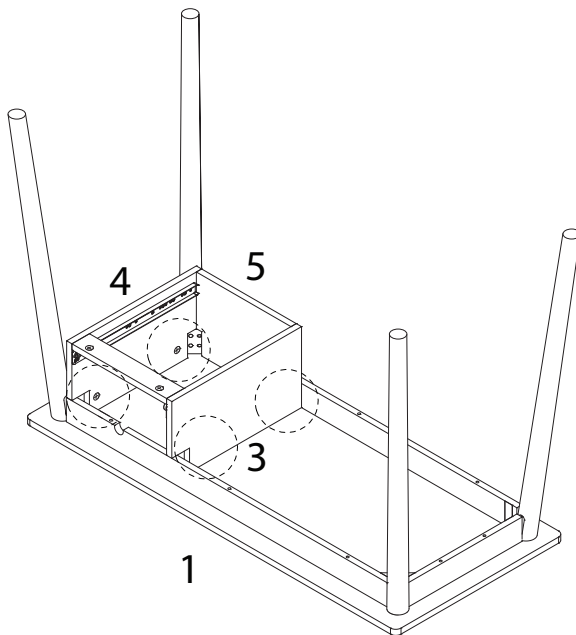


16

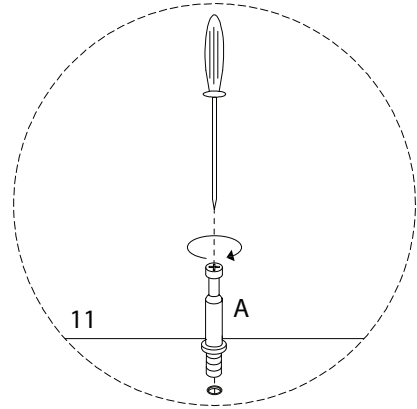
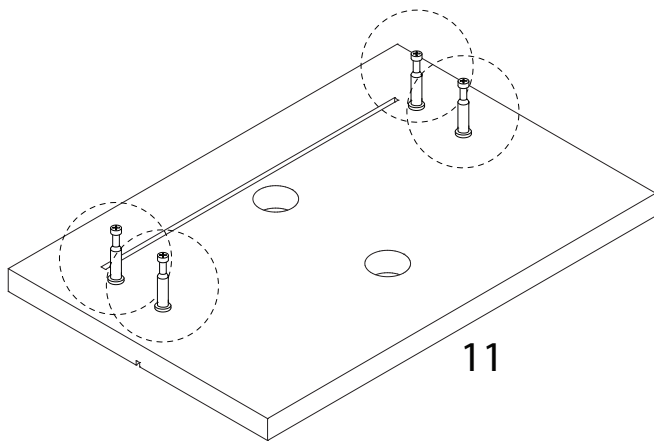
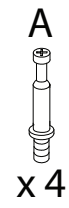
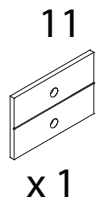
B



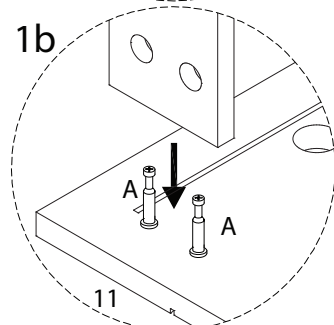
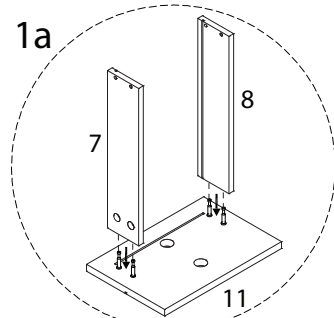
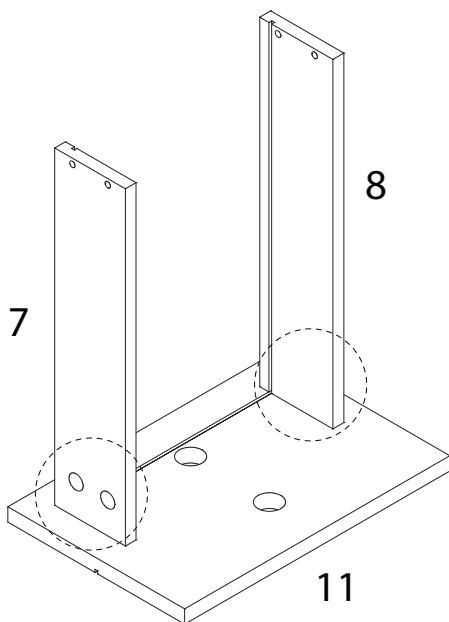
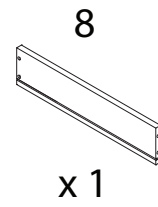
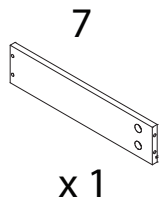
x 4



17



18

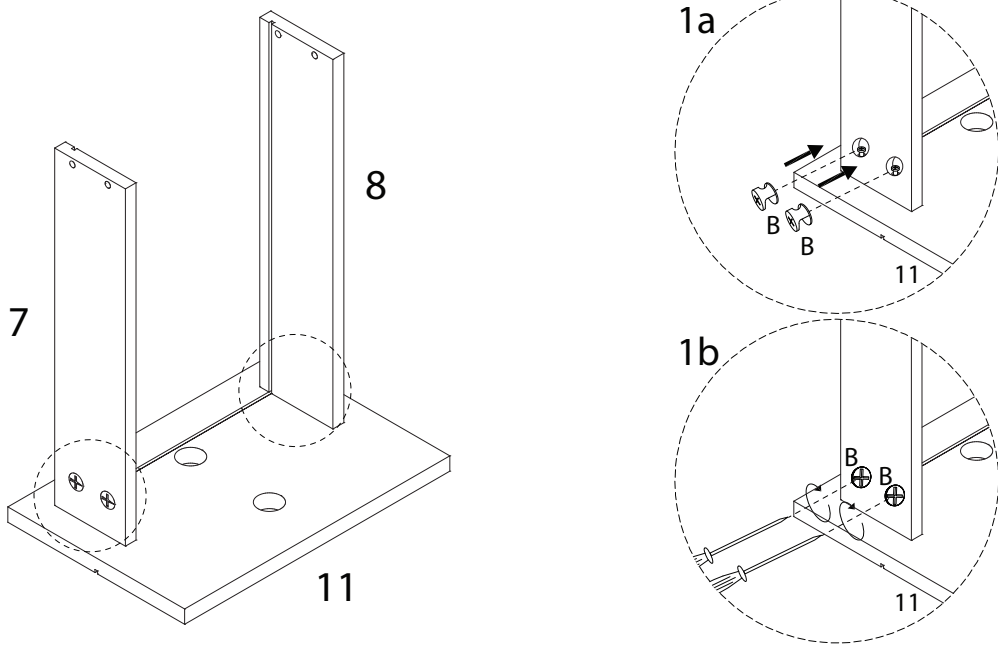


19

B

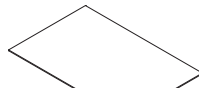


x4

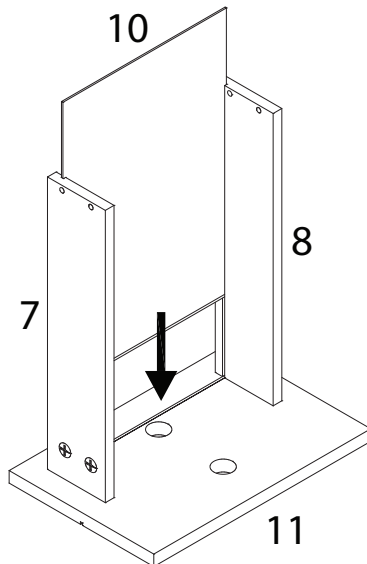


20

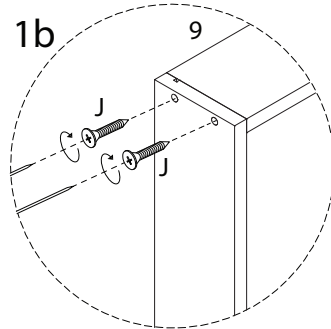
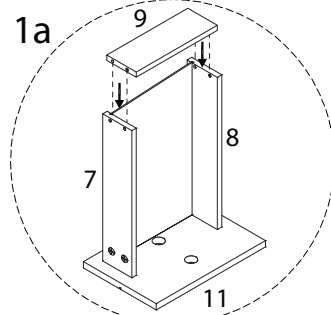
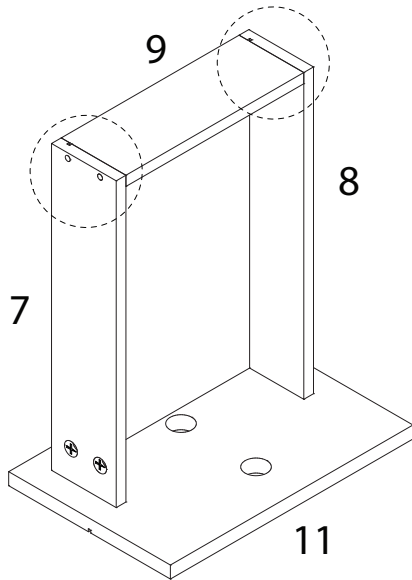
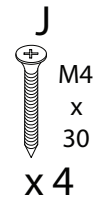
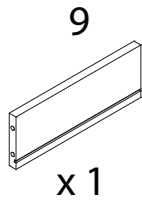
10



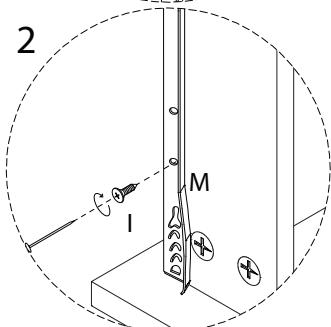
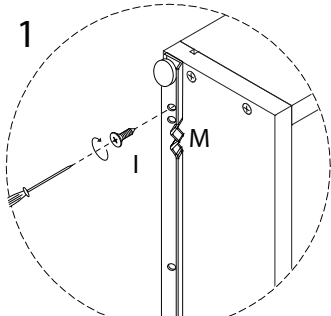
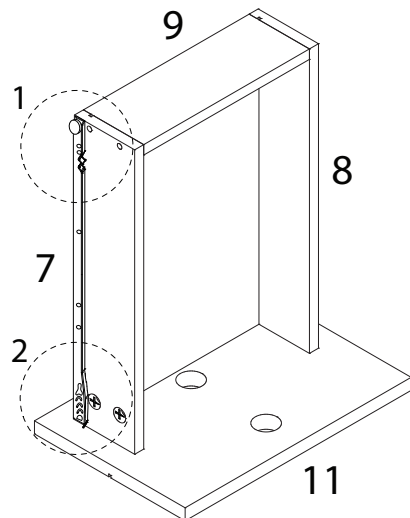
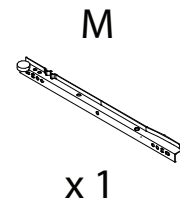
x1



21



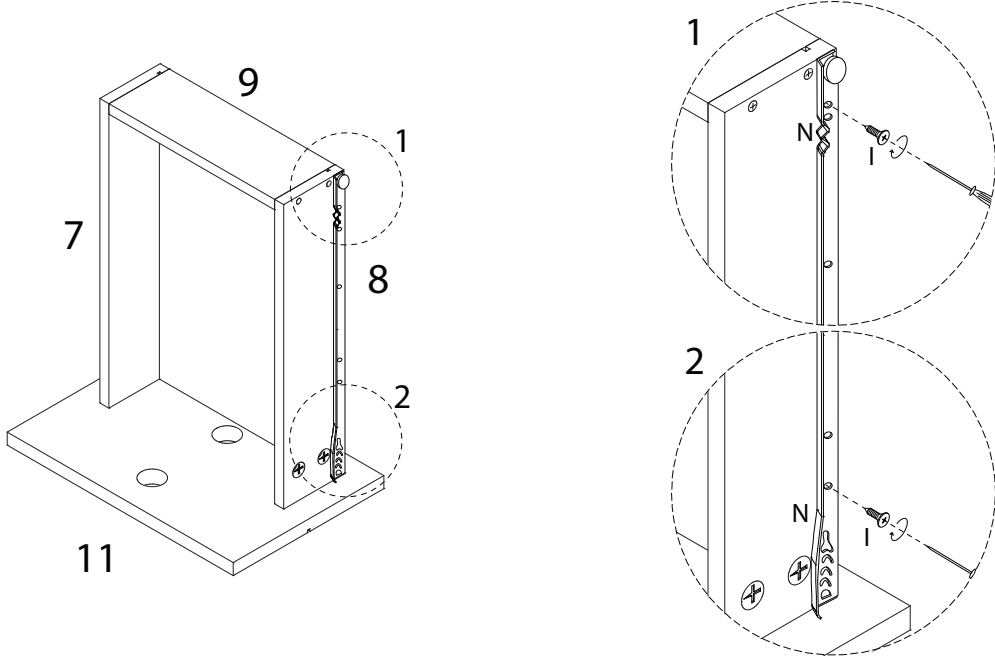
22



23

I  
M3  
x  
12  
x 2

N  
x 1



24

