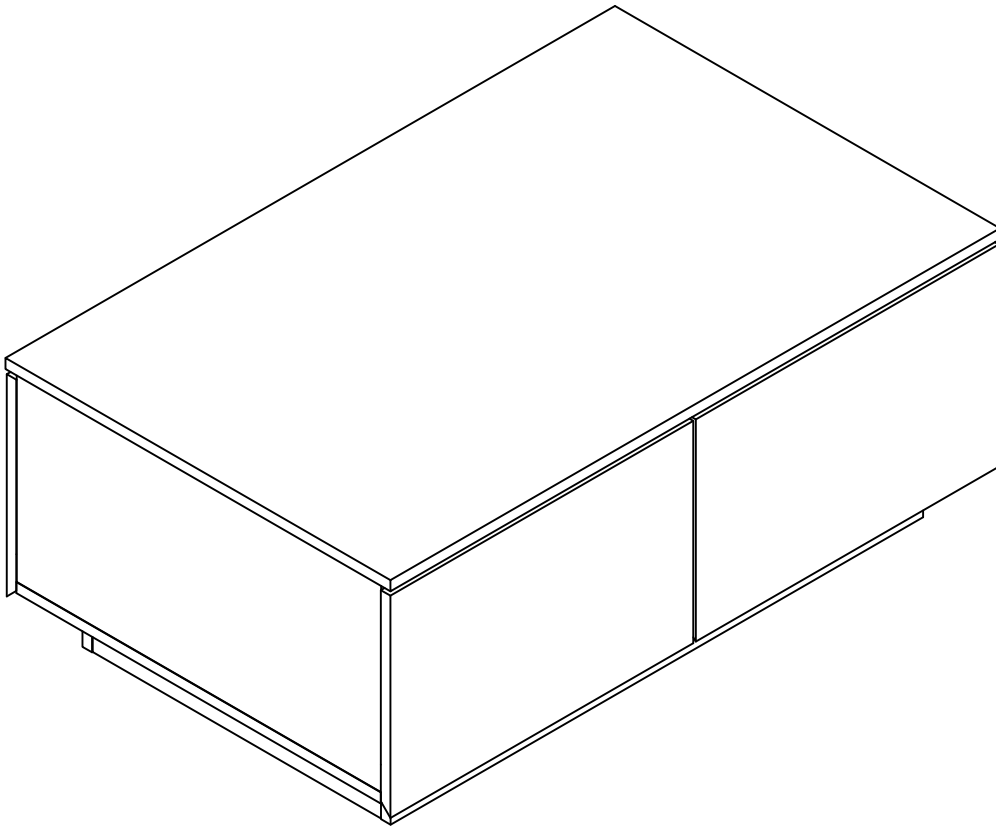


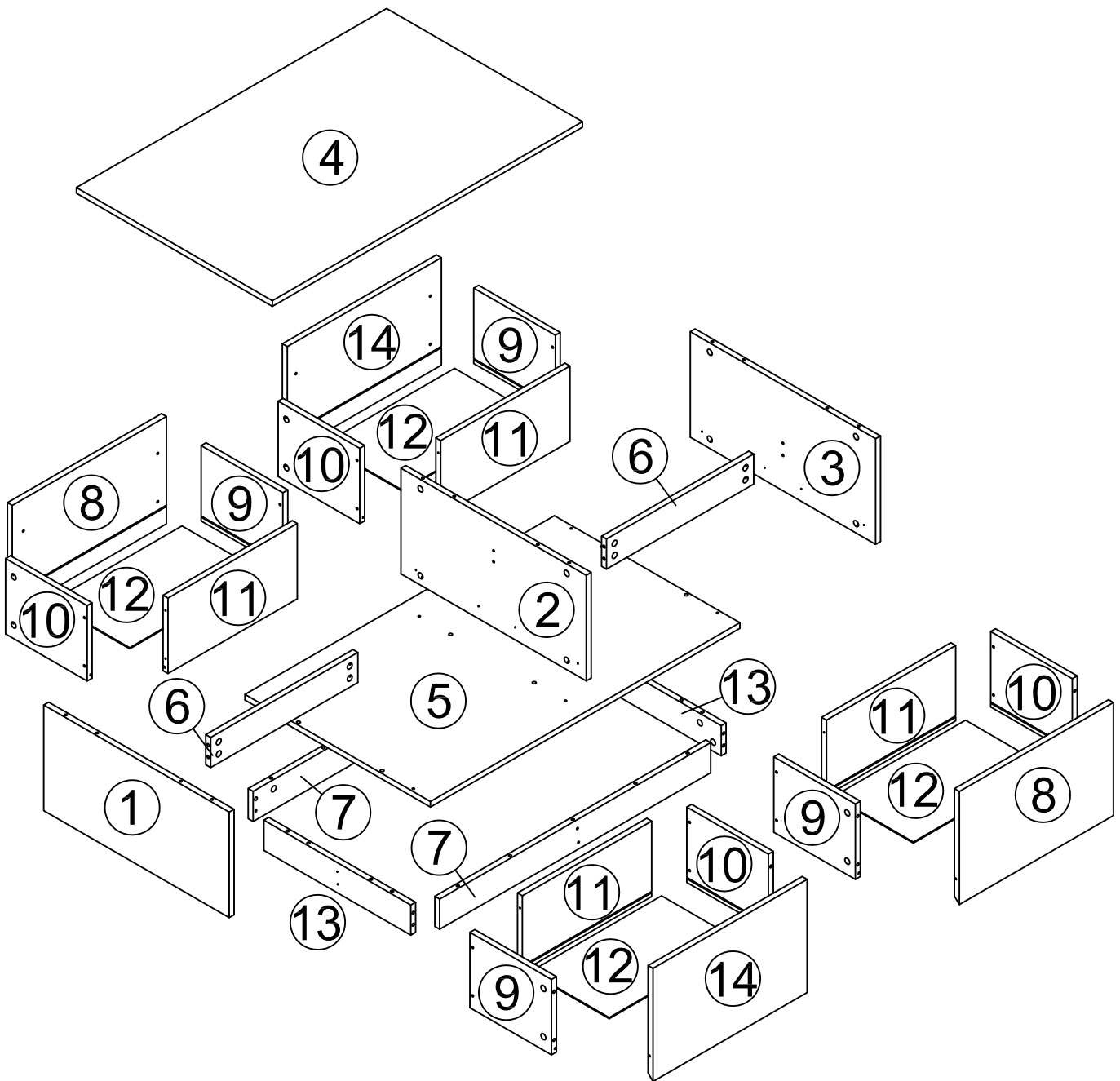
1

# ASSEMBLY INSTRUCTIONS

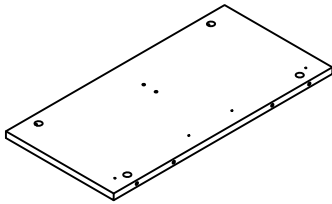
---



## BOARD IDENTIFICATION

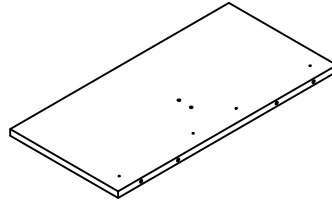


## BOARD IDENTIFICATION



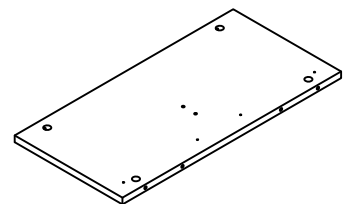
①

LEFT SIDE PANEL  
X1



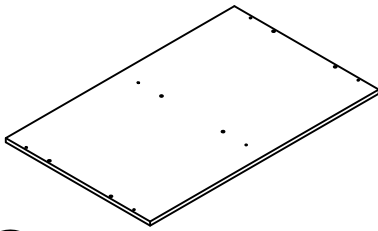
②

MIDDLE SIDE PANEL  
X1



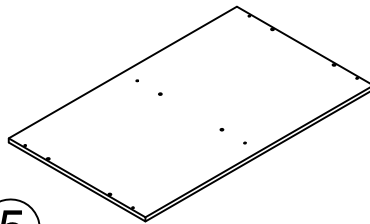
③

RIGHT SIDE PANEL  
X1



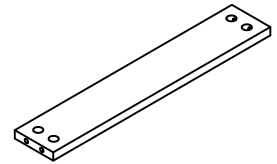
④

MAIN PANEL  
X1



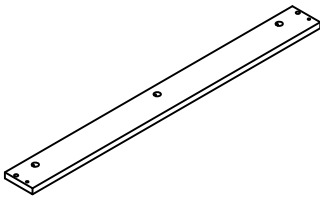
⑤

BOTTOM  
X1



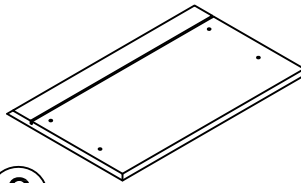
⑥

RAIL  
X2



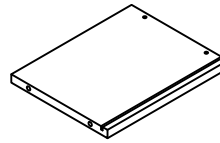
⑦

BASE FRONT&BACK PANEL  
X2



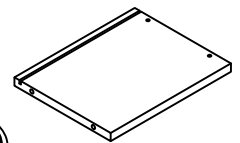
⑧

RIGHT DRAWER FRONT  
X2



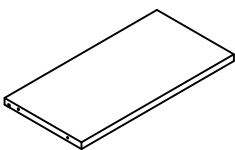
⑨

DRAWER LEFT  
X4



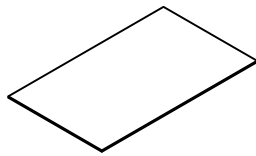
⑩

DRAWER RIGHT  
X4



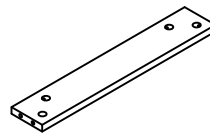
⑪

DRAWER BACK  
X4



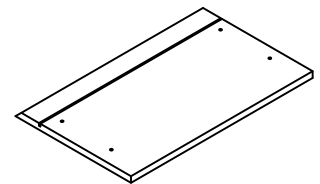
⑫

DRAWER BOTTOM  
X4



⑬

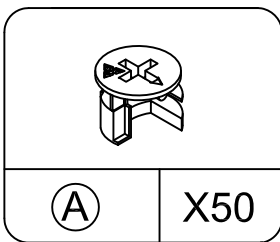
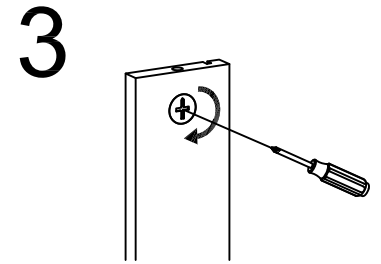
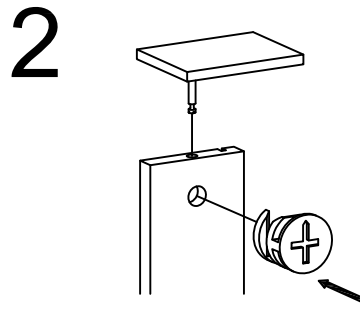
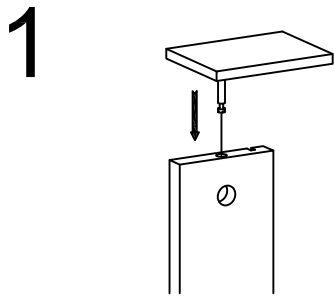
BASE LEFT&RIGHT PANEL  
X2



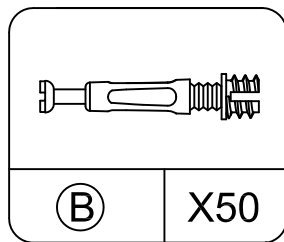
⑭

LEFT DRAWER FRONT  
X2

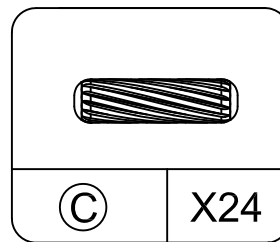
# 4



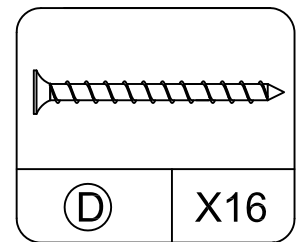
CAM LOCK  
F15\*11



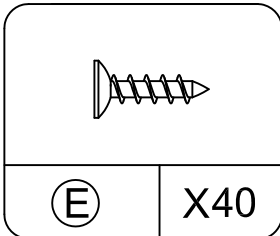
CAM BOLT  
F7\*31



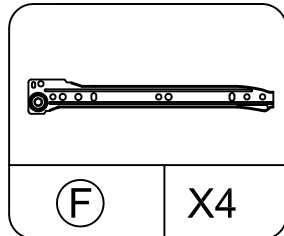
WOOD DOWEL  
F8\*30



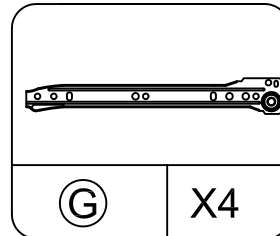
SCREW  
F4\*35



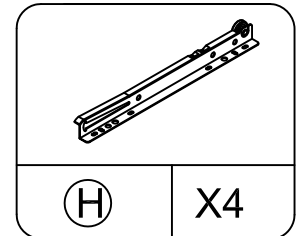
SCREW  
F3.5\*12



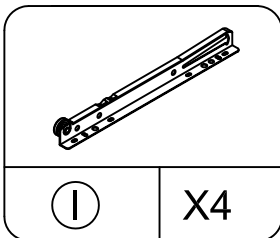
LEFT OUTER TRACK  
F20\*250



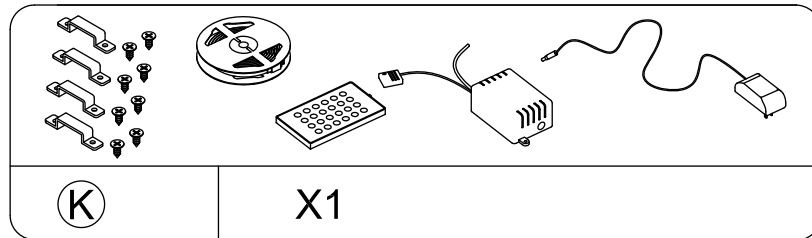
RIGHT OUTER TRACK  
F20\*250



LEFT INNER TRACK  
F20\*250



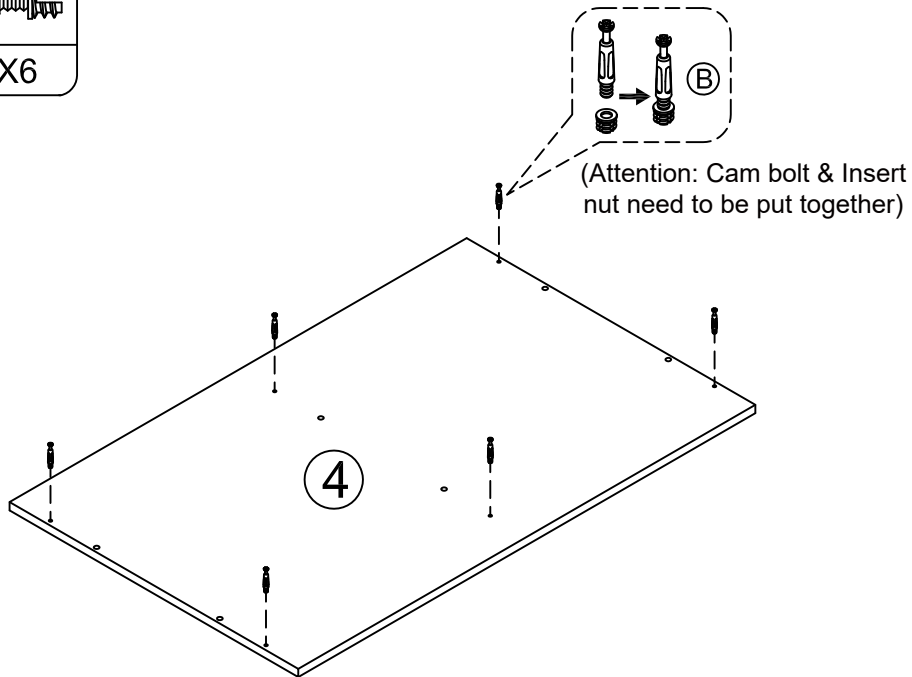
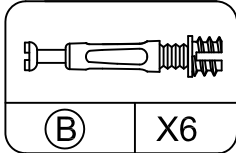
RIGHT INNER TRACK  
F20\*250



LIGHT STRIP

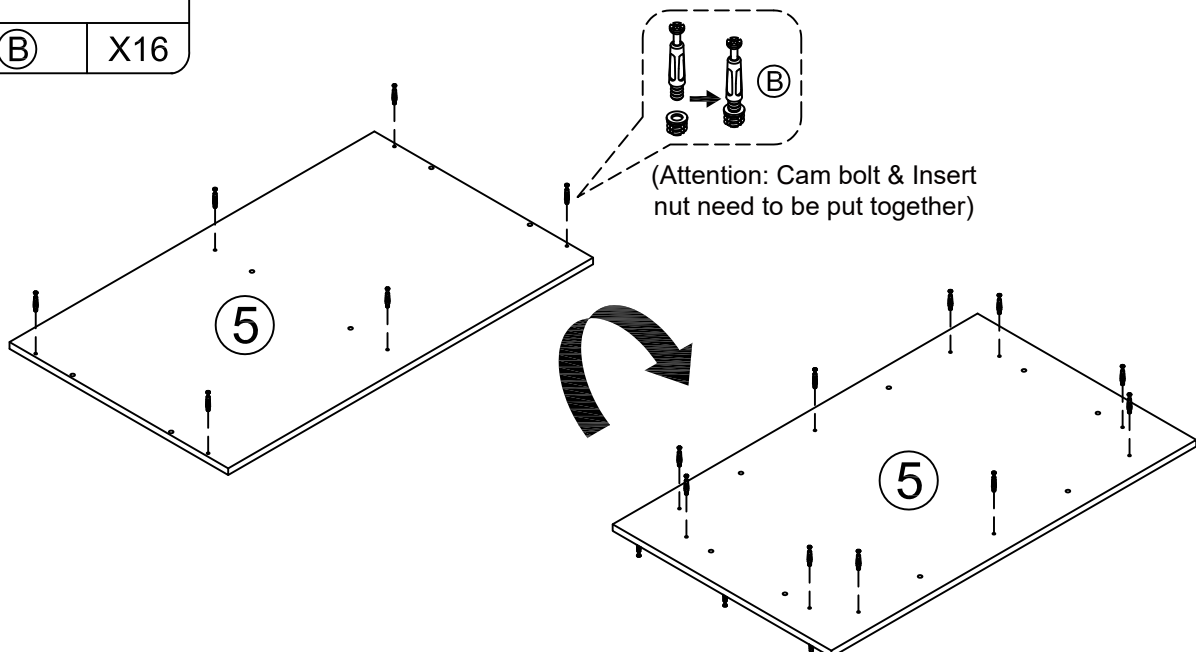
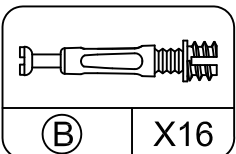
## STEP 1

- Screw cam bolts (B) into panel (4) as below shown.



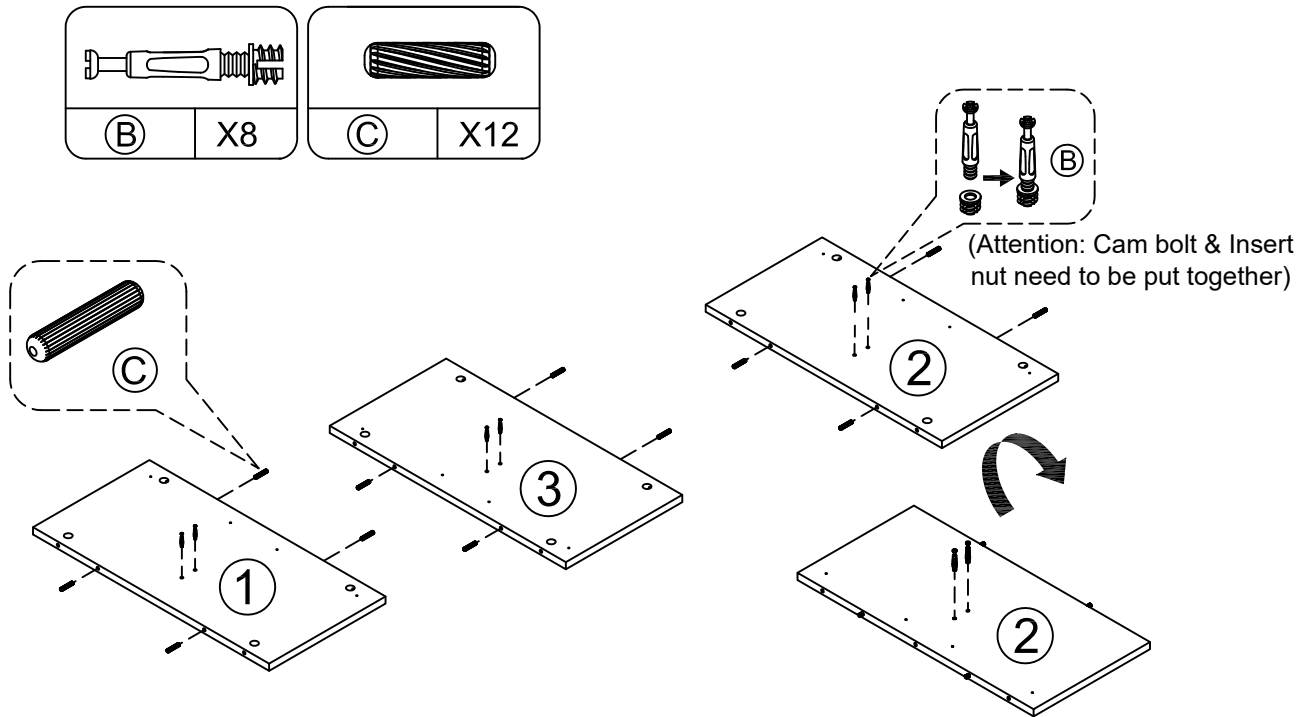
## STEP 2

- Screw cam bolts (B) into panel (5) as below shown.



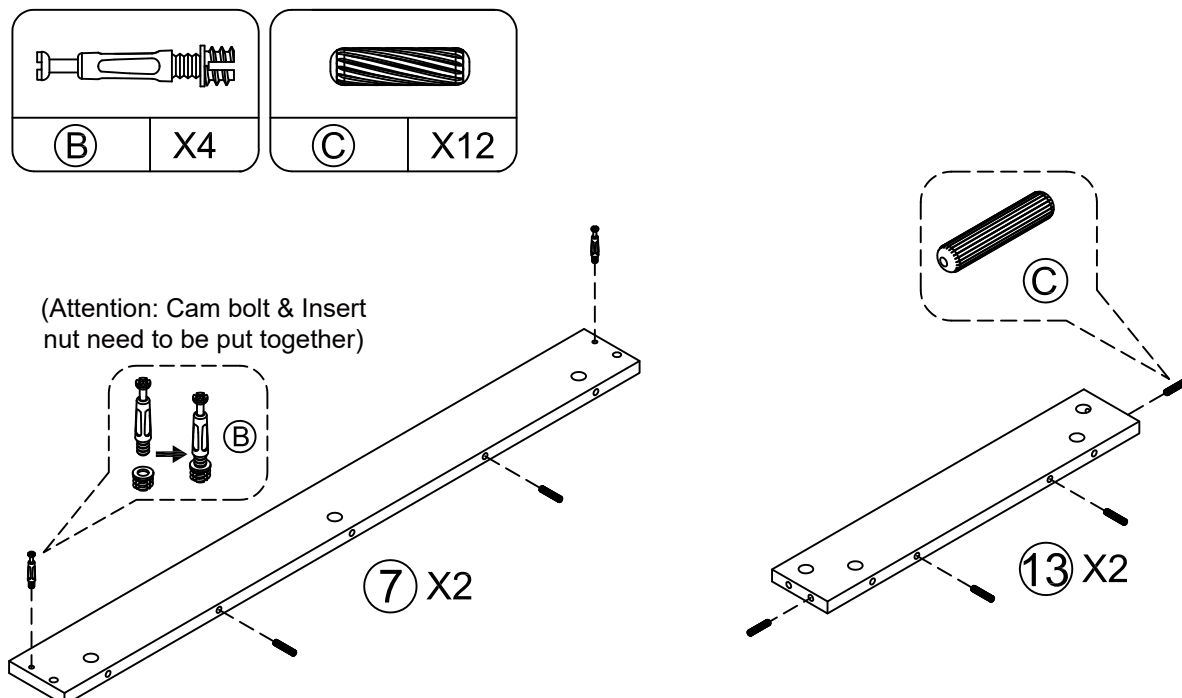
## STEP 3

- Screw cam bolts (B) into panel (1) & (2) & (3) as below shown.
- Insert wood dowels (C) into panel (1) & (2) & (3) as shown in the picture.



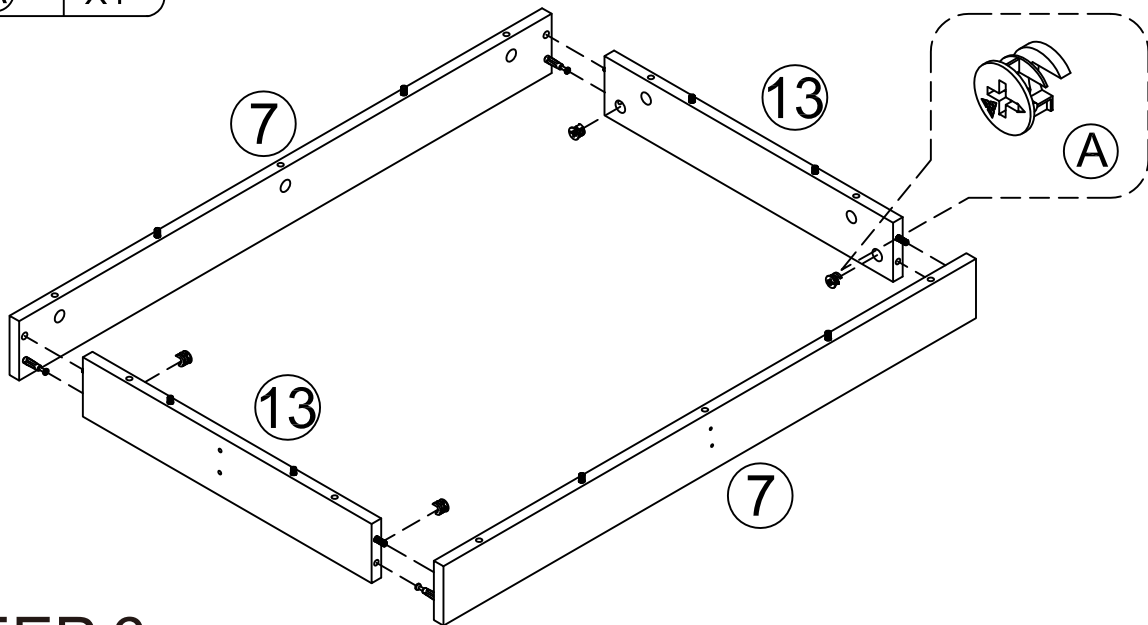
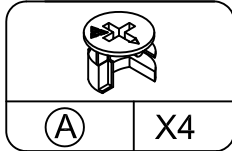
## STEP 4

- Screw cam bolts (B) into panel (7) as below shown.
- Insert wood dowels (C) into panel (7) & (13) as shown in the picture.



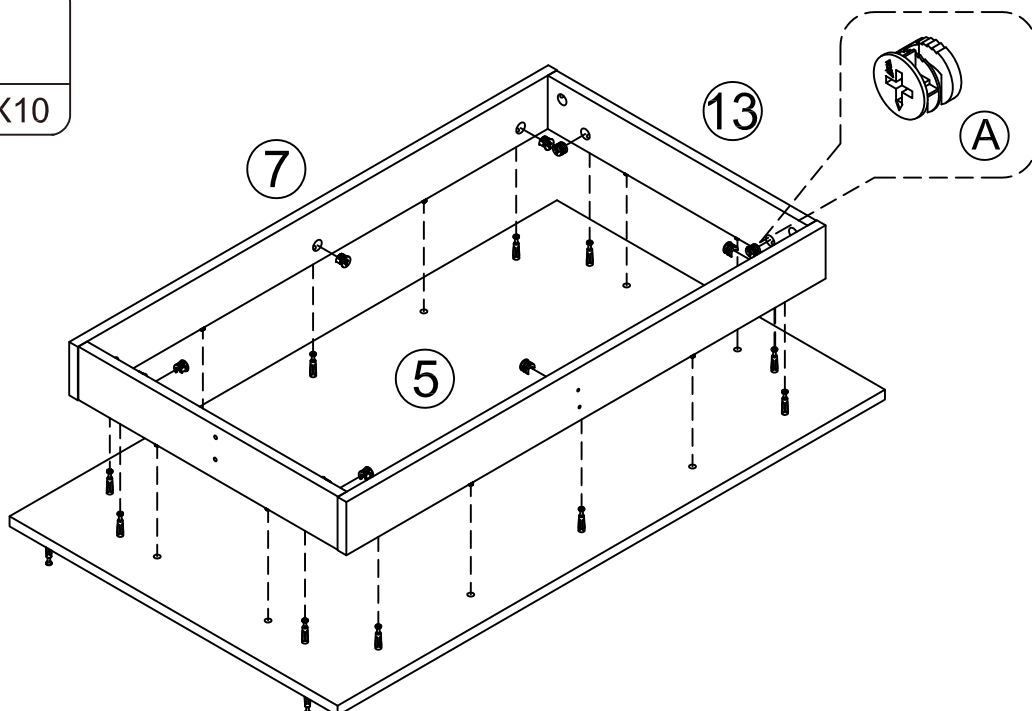
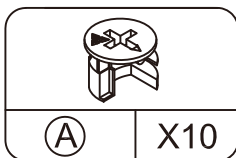
## STEP 5

- Attach panel (7) to (13) with cam locks (A).



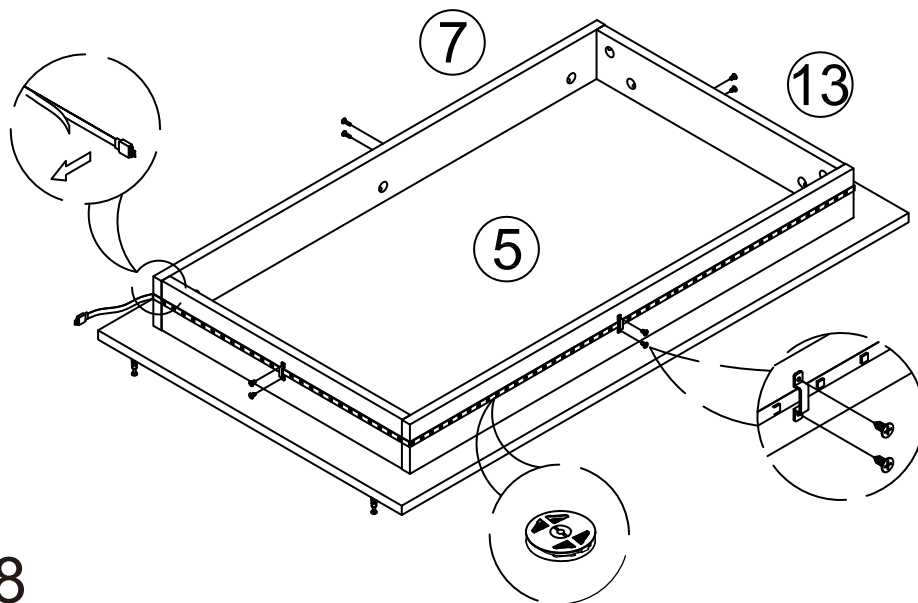
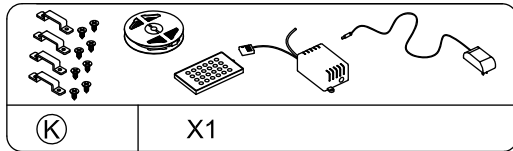
## STEP 6

- Attach panel (7) & (13) to (5) with cam locks (A).



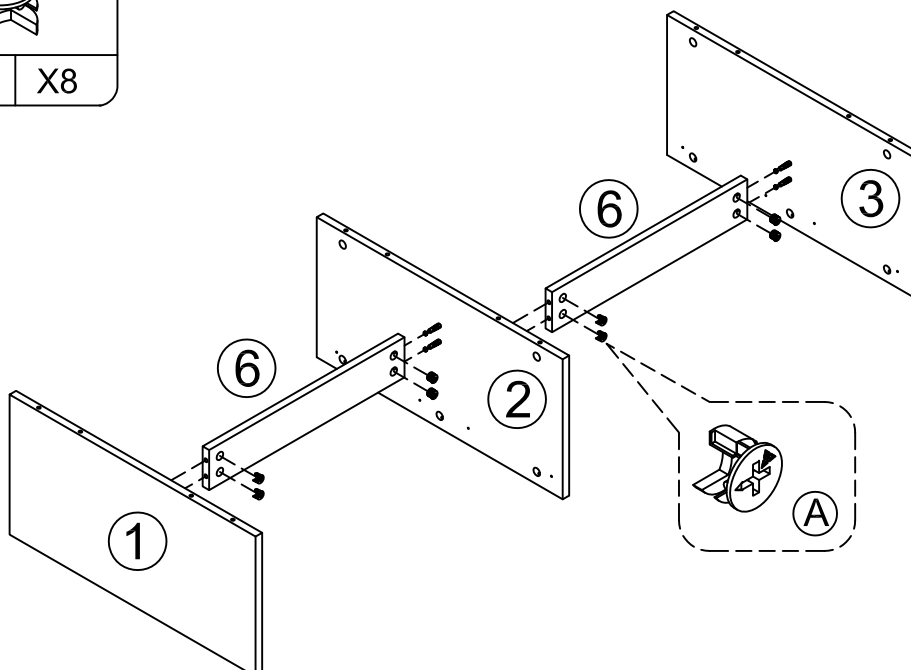
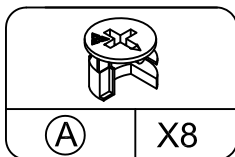
## STEP 7

- Stick LED band to the side of the base.
- Fasten the LED band with buckles.



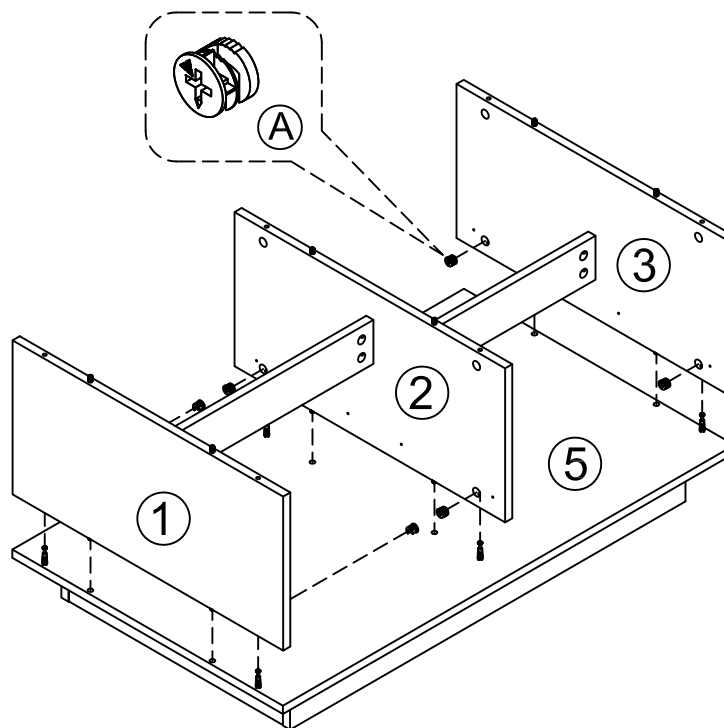
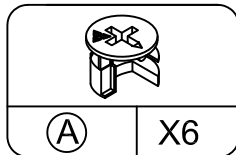
## STEP 8

- Attach panel (1) & (2) & (3) to (6) with cam locks (A).



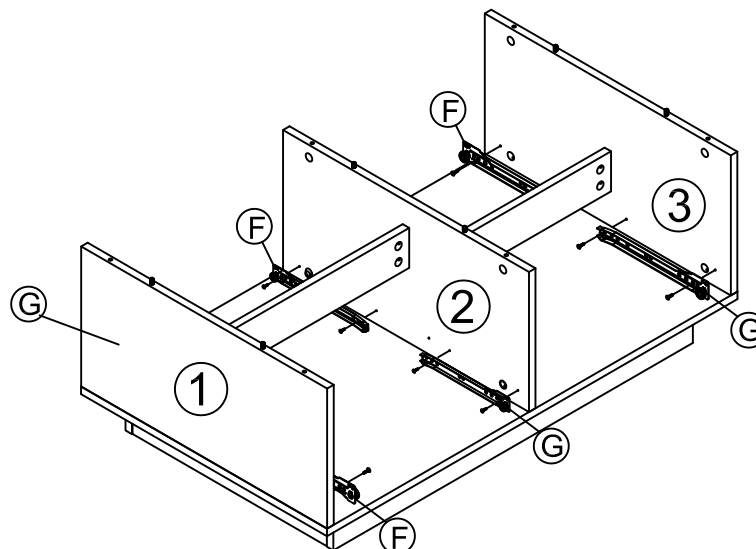
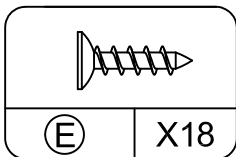
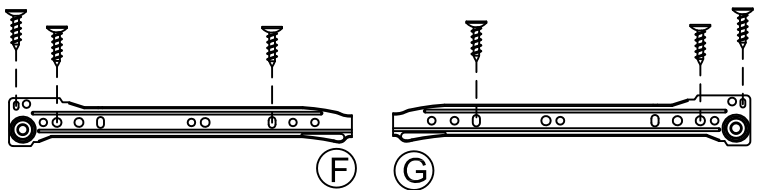
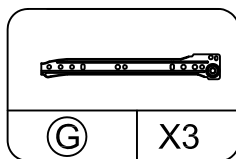
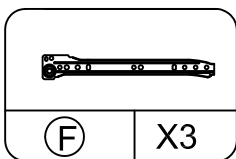
## STEP 9

- Attach panel (1) & (2) & (3) to (5) with cam locks (A).



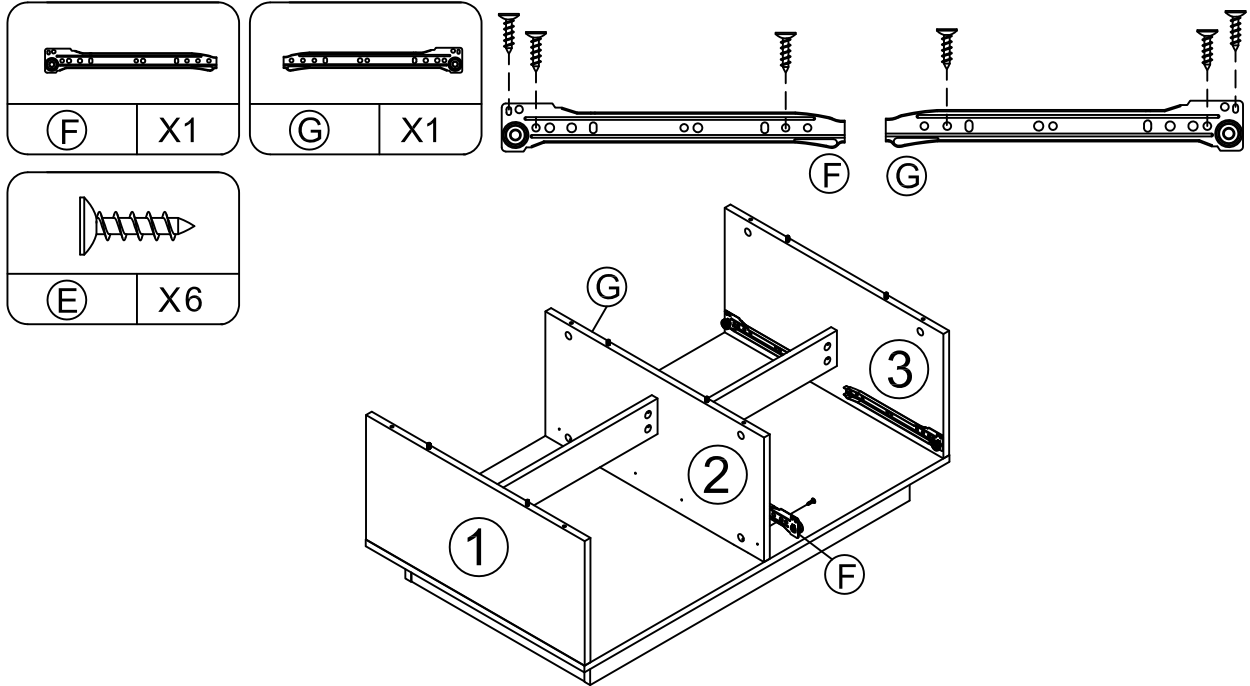
## STEP 10

- Install drawer track (F) & (G) to panel (1) & (2) & (3) with screws (E).



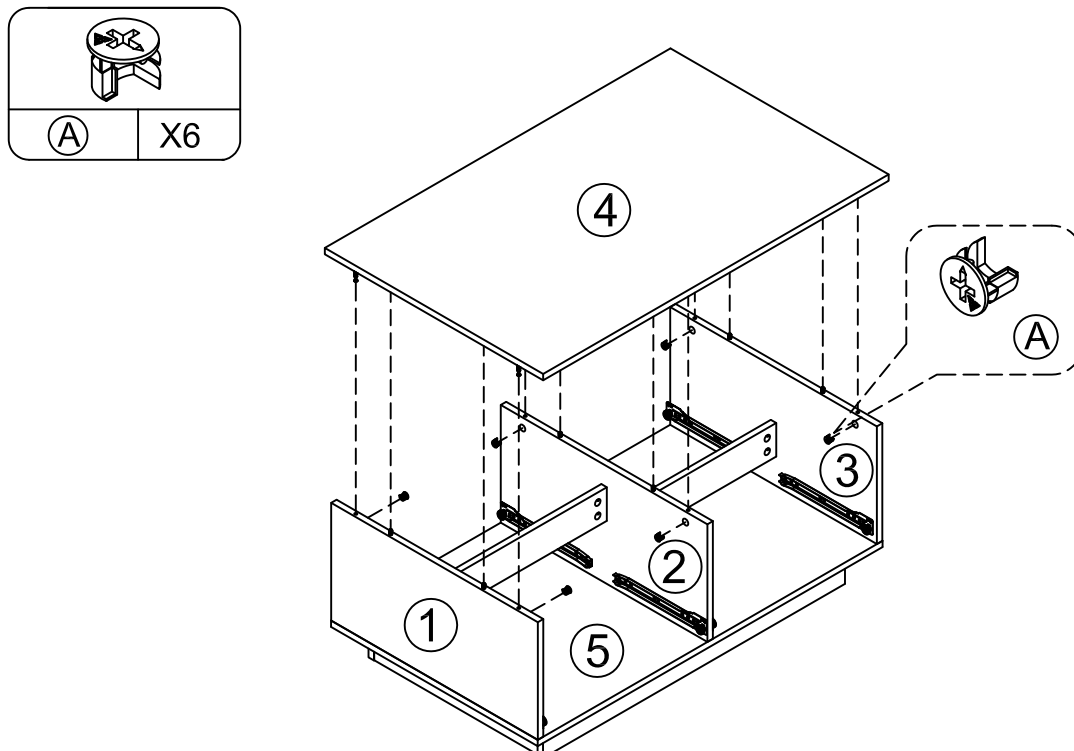
## STEP 11

- Install drawer track (F) & (G) to panel (2) with screws (E).



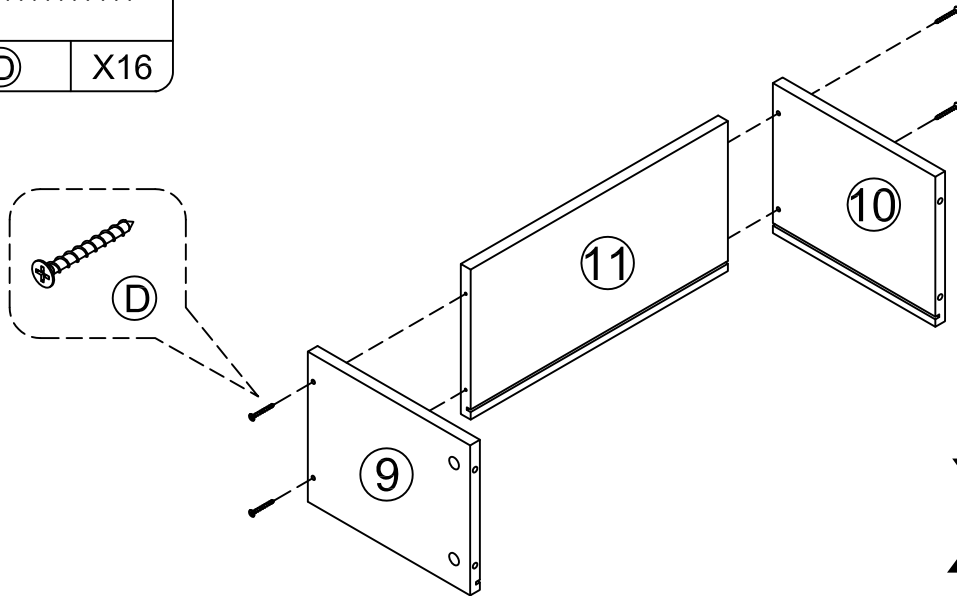
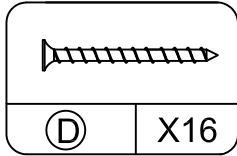
## STEP 12

- Attach panel (4) to (1) & (2) & (3) with cam locks (A).



## STEP 13

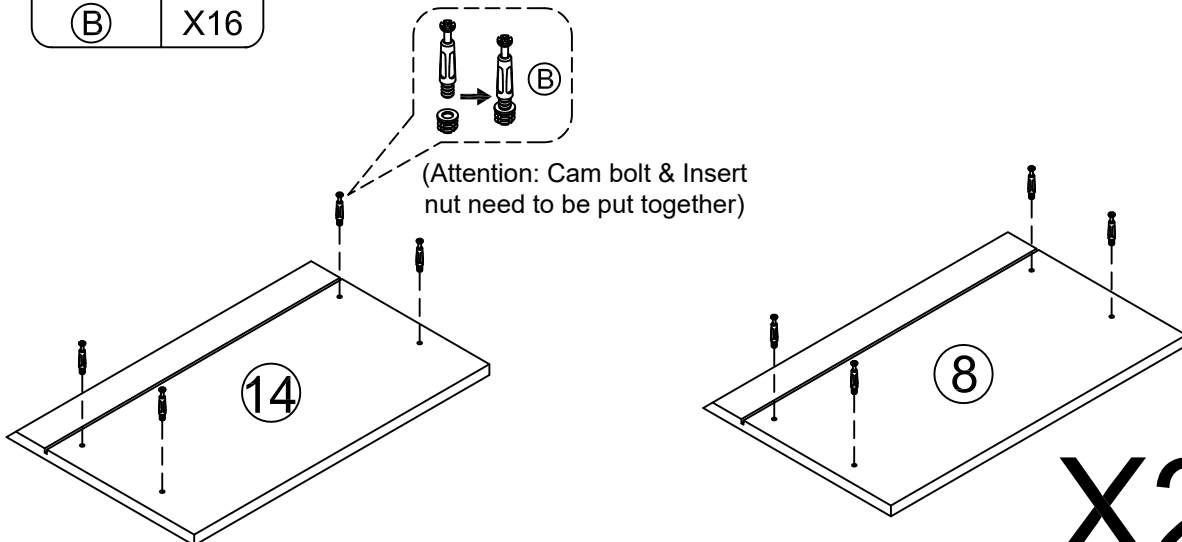
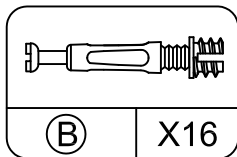
- Attach panel (9) & (10) to (11) with screw (D) as shown in the picture.



# X4

## STEP 14

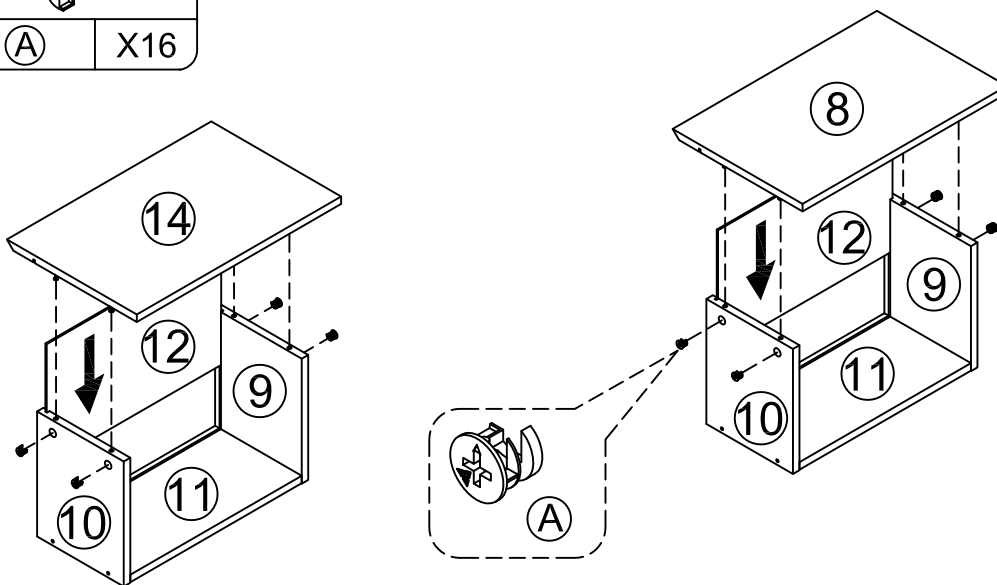
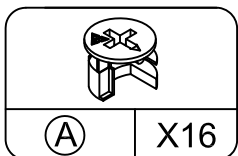
- Screw cam bolts (B) into panel (8) & (14) as below shown.



# X2

## STEP 15

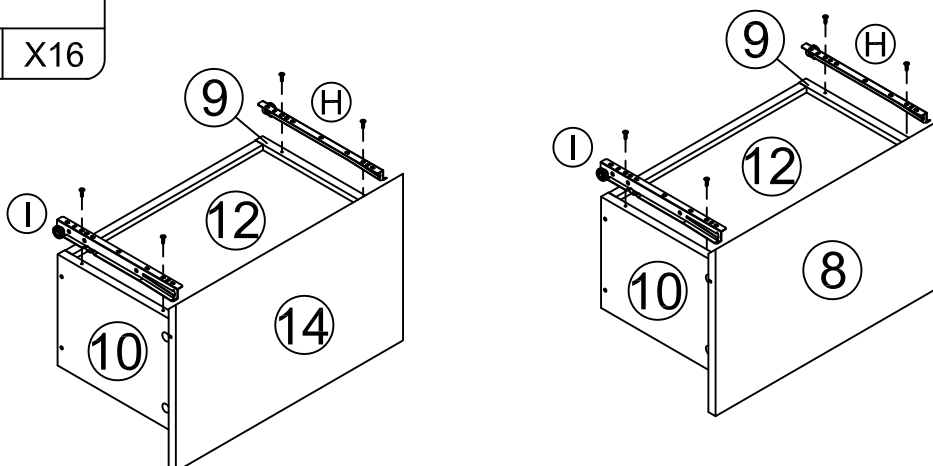
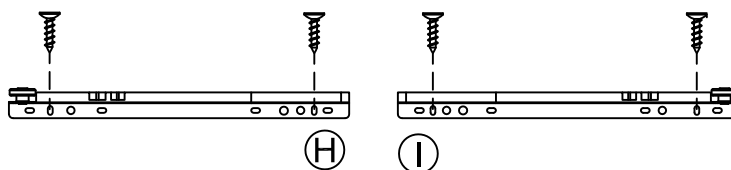
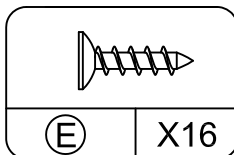
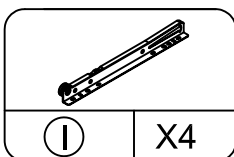
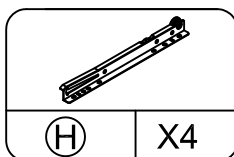
- Insert panel (12) into the grooves.
- Attach panel (8) & (14) to (9) & (10) with cam locks (A).



# X2

## STEP 16

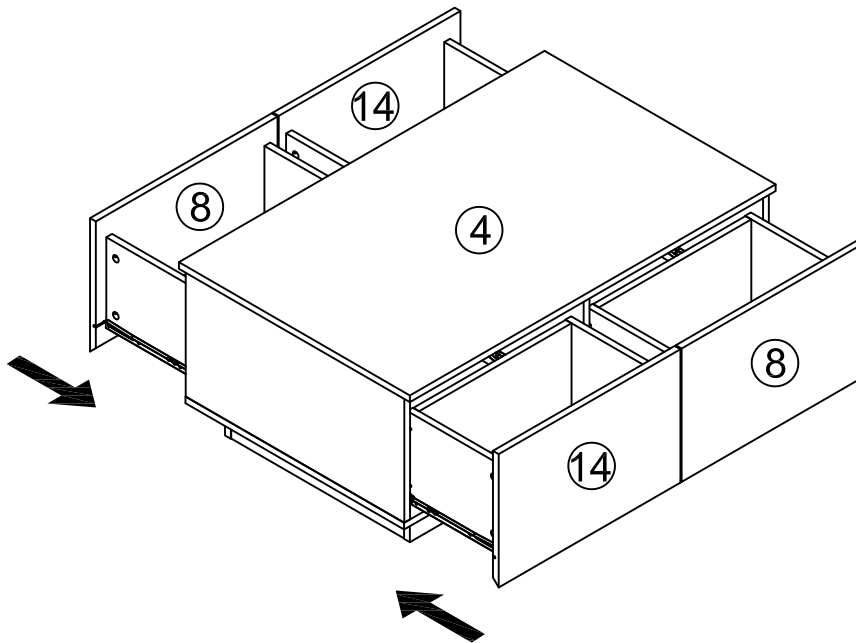
- Install drawer track (H) & (I) to panel (9) & (10) with screws(E).



# X2

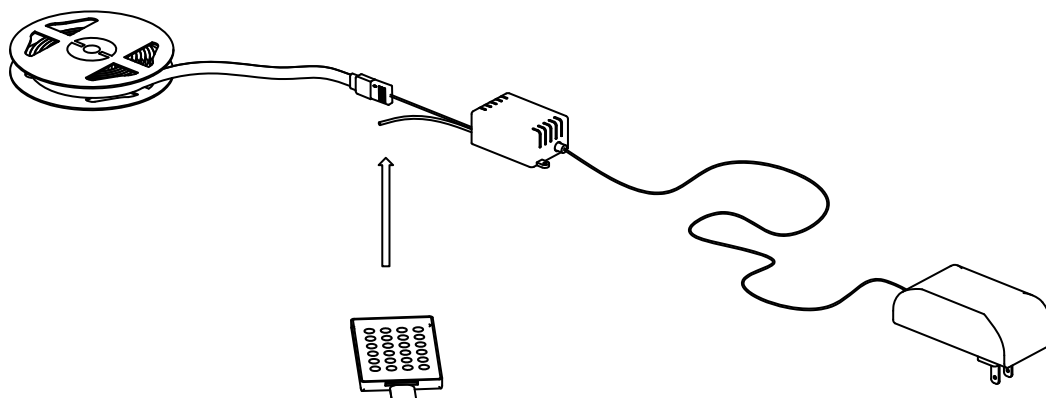
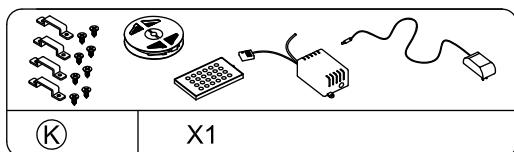
## STEP 17

- Insert the drawers.



## STEP 18

- Connected pin of LED and power adapter to the RGB control box as below.
  - Remove the battery protection pad from remote controller.
- Align remote controller to the RGB Control box to adjust the color mode.  
Specifications of battery:cr2025 3v



## STEP 19

- Installation complete.

---

