

Assembly Instructions

OTTOMAN

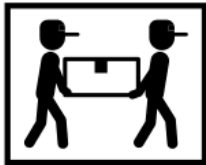
ASSEMBLY TIPS:

- 1.Remove hardware from box and sort by size.
- 2.Please check to see that all hardware and parts are present prior to start of assembly.
- 3.Please follow attached instruction in the same sequence as numbered to assure fast & easy assembly.



WARNING!

- 1.Don't attempt to repair or modify parts that are broken or defective. Please contact the store immediately.
- 2.This product is for home use only and not intended for commercial establishment.

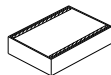


ASSEMBLY TIME

5 MINUTES

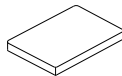
PARTS IDENTIFICATION

A OTTOMAN



1PC

B SEAT CUSHION



1PC

①

C FOOT



4PCS

Z HARDWARE PACKAGE			
NO	DESCRIPTION	FIGURE	QTY
1	PLASTIC GASKETS		4PCS

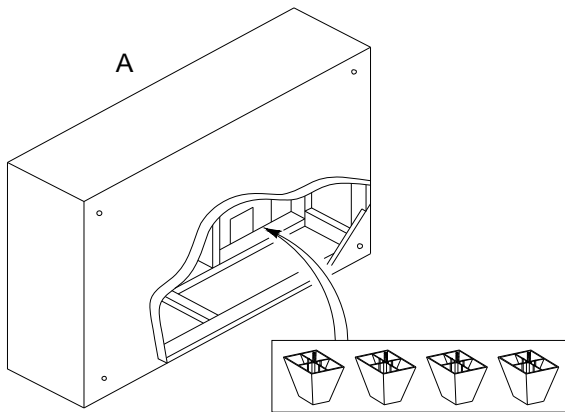
Hardware Pack Location(s): Bottom of the ottoman

Assembly Instructions

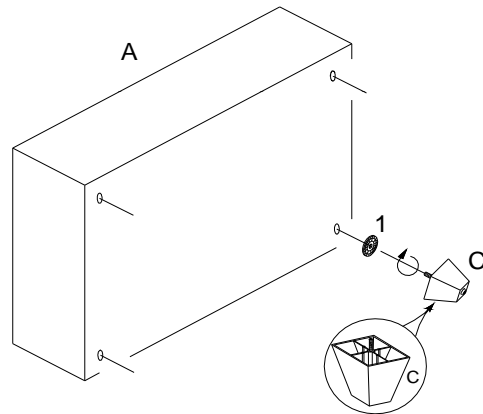
OTTOMAN

Caution: Please read all instructions carefully before starting the assembly process, These parts are cumbersome and heavy. Therefore, two people are recommended in order to prevent personal injury and insure the parts are not damaged during the assembly.

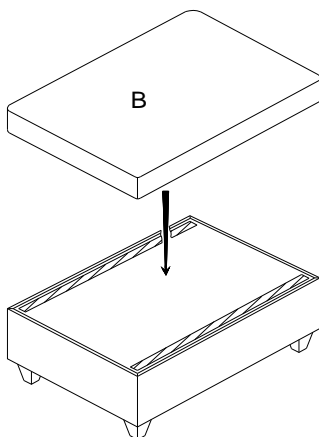
STEP 1:



STEP 2:



STEP 3:



STEP 4:

