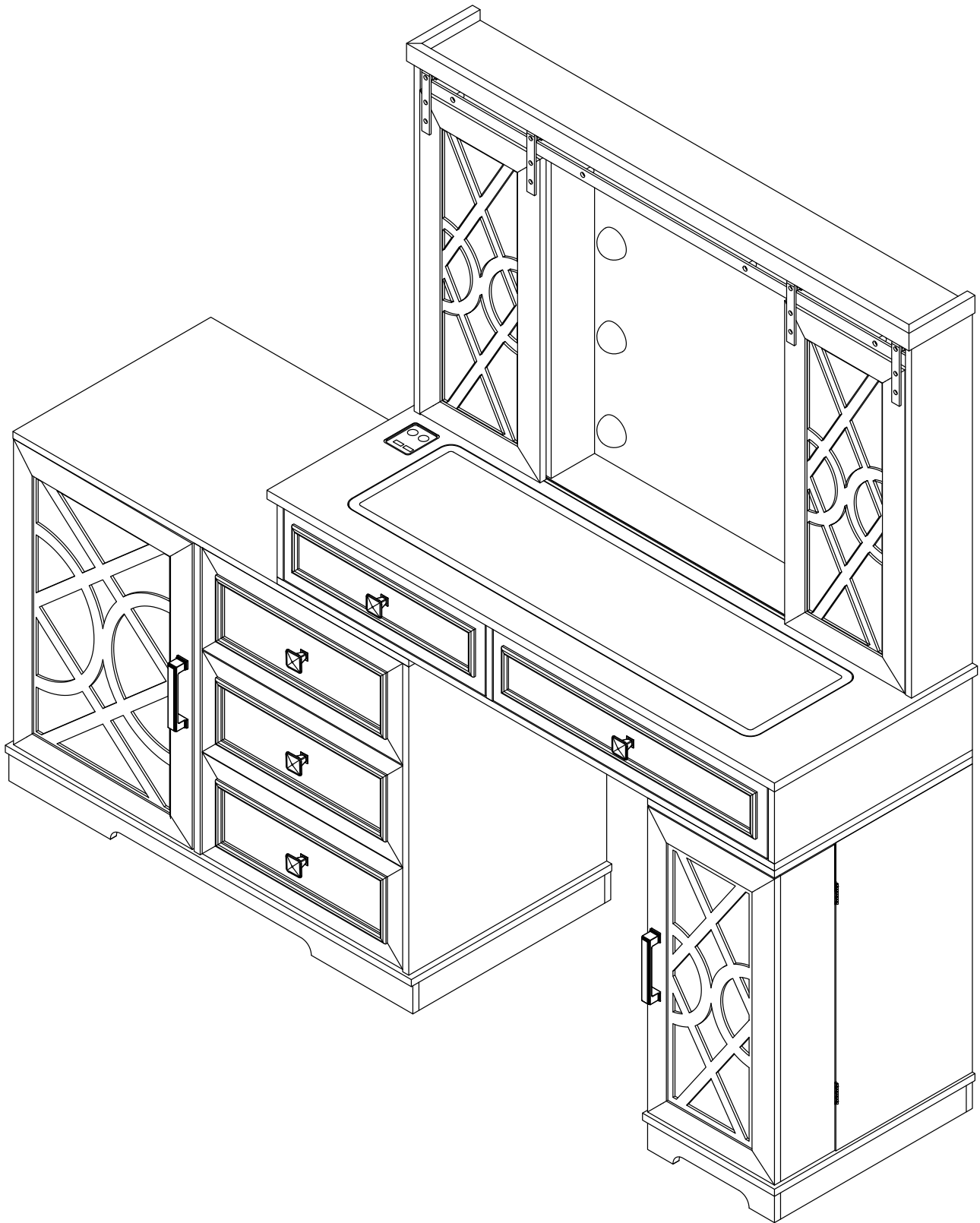
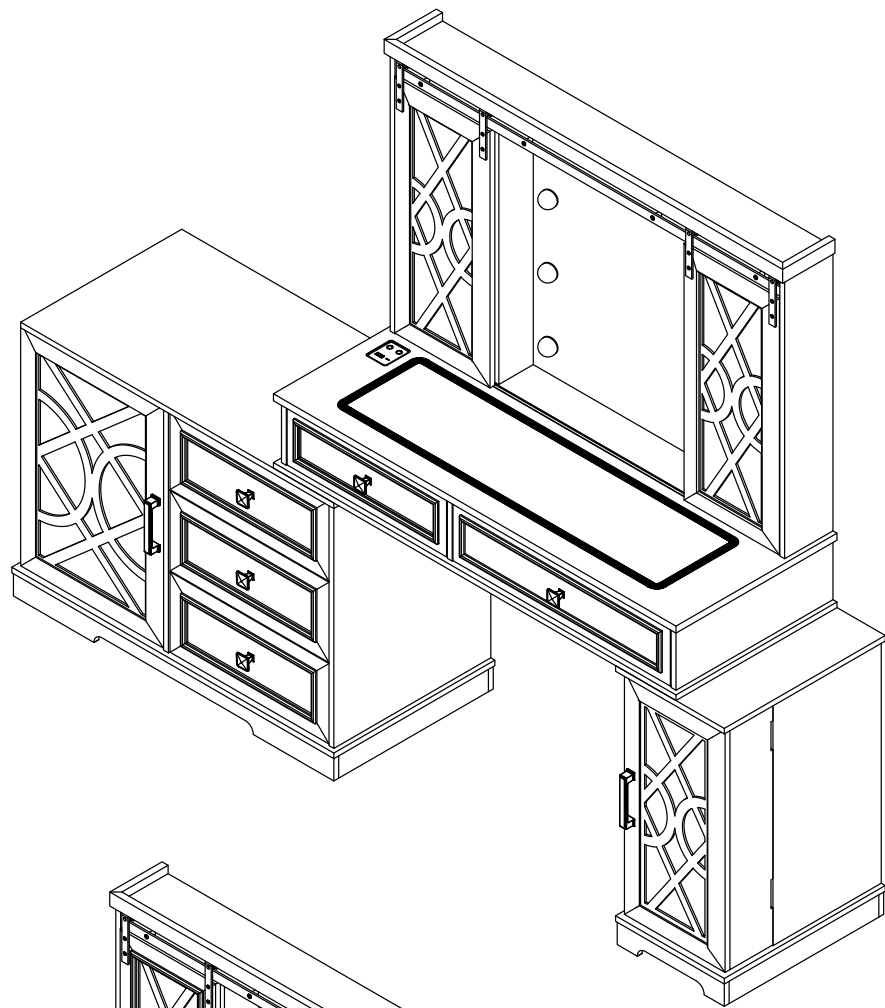


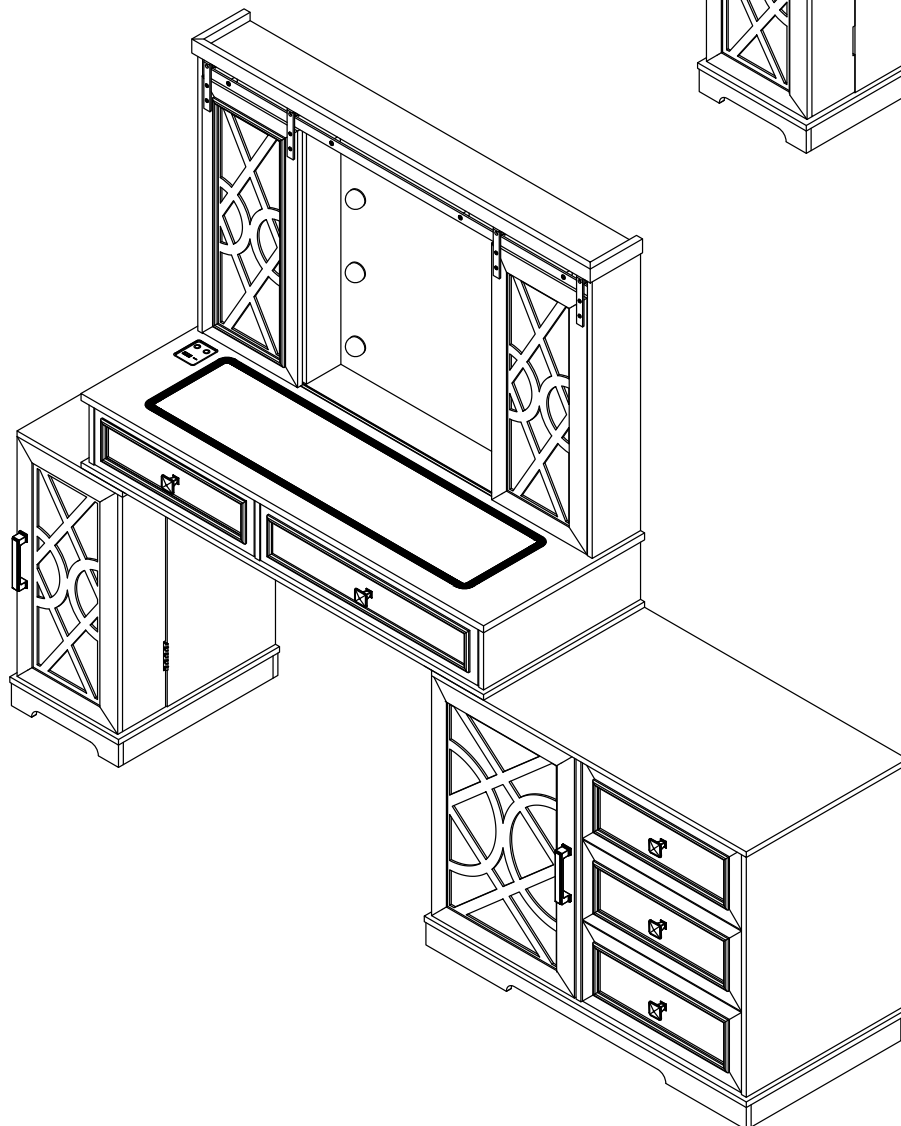
Product Installation Instructions



Effect 1

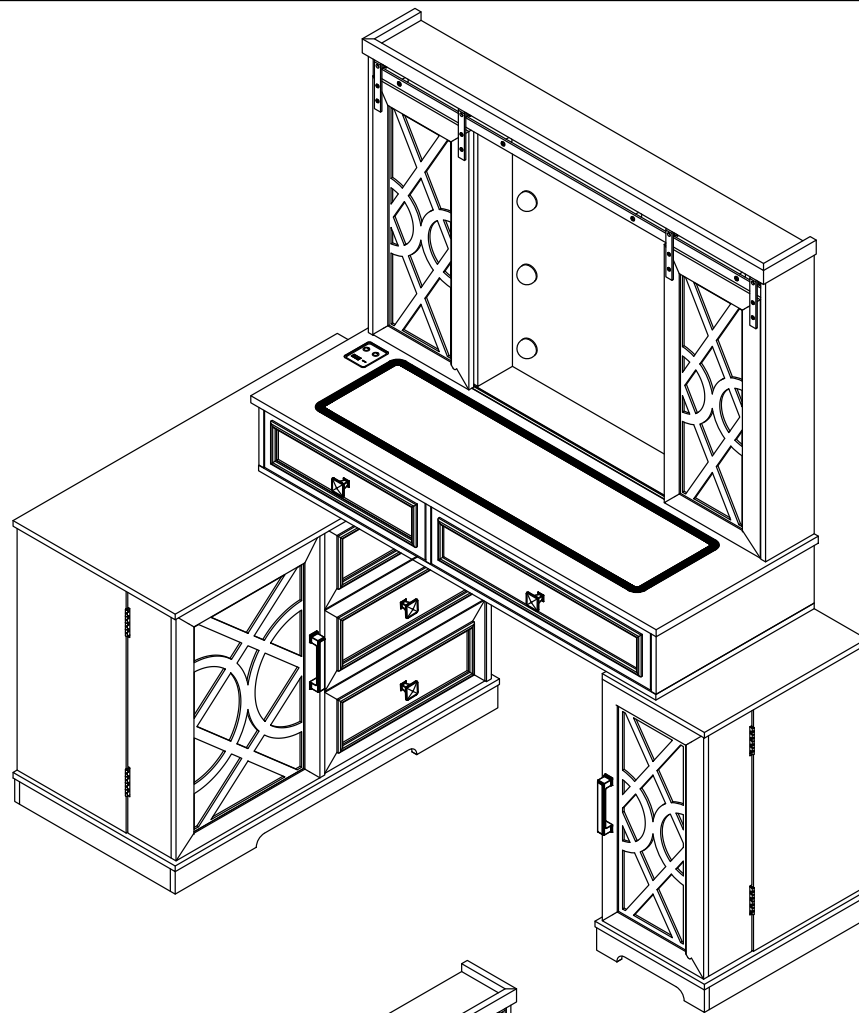


Effect 2

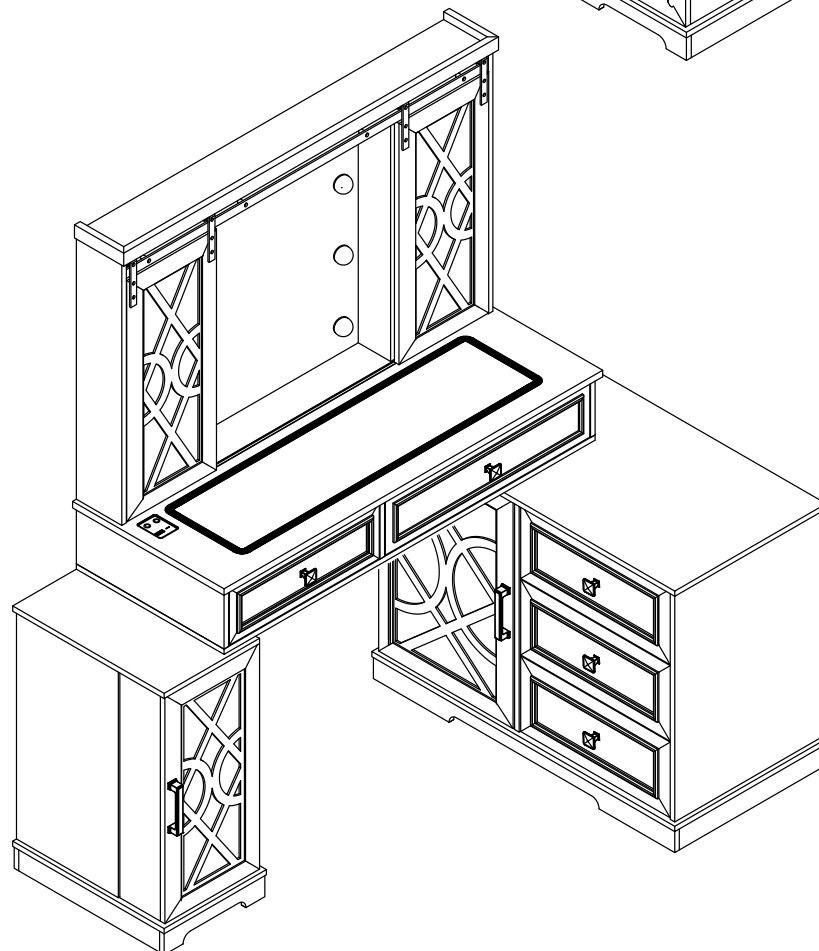


This dressing table offers four versatile placement options for your convenience. Once assembled, you can arrange it in your preferred style to best suit your space and preferences.

Effect 3

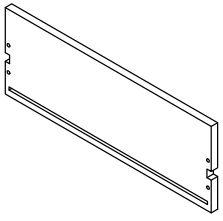


Effect 4

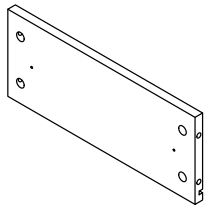


Installation Tip:

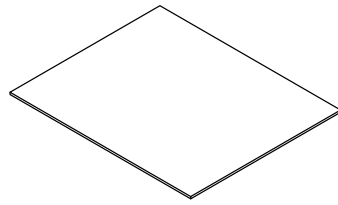
To ensure a smooth and efficient assembly process, we recommend having two people install this dressing table together. Some steps may be time-consuming or require extra hands for stability and safety. Working as a team will make the installation easier and more enjoyable!



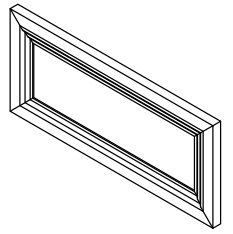
1x3



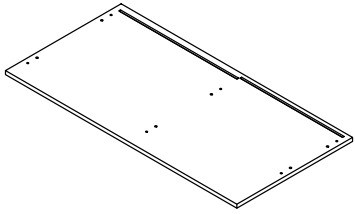
2x6



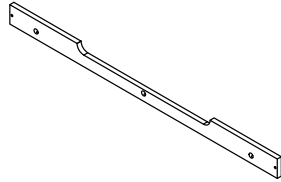
3x3



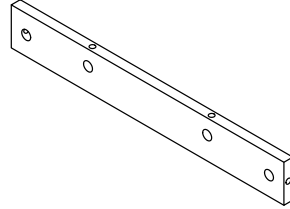
4x3



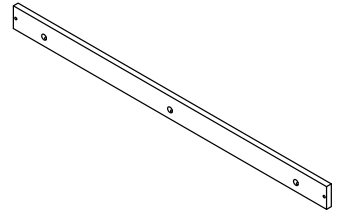
5x1



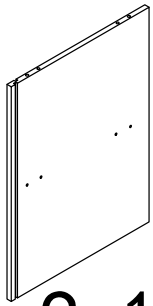
6x1



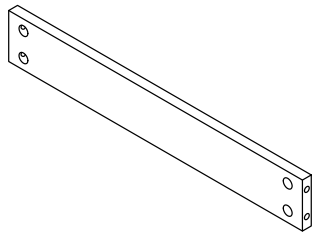
7x4



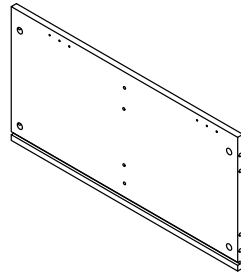
8x1



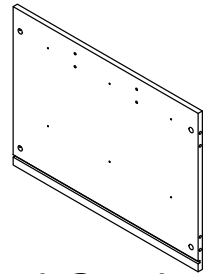
9x1



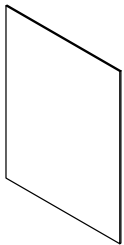
10x2



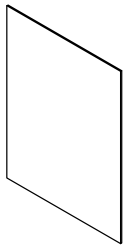
11x1



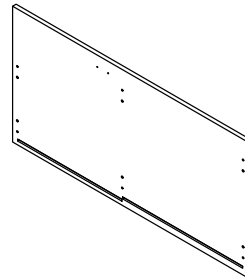
12x1



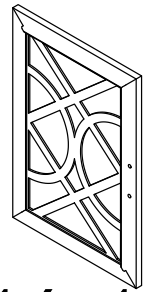
13x1



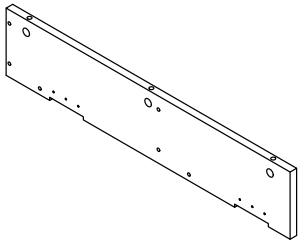
14x1



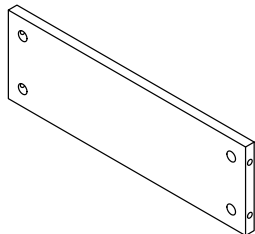
15x1



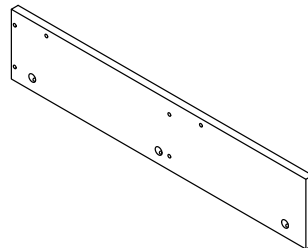
16x1



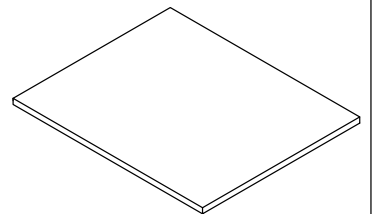
17x1



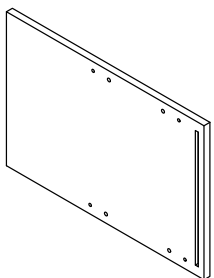
18x2



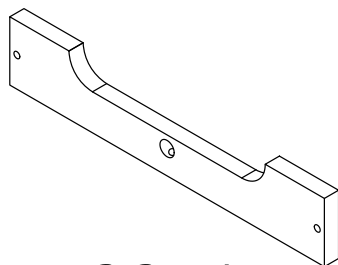
19x1



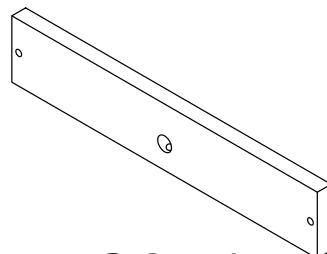
20x1



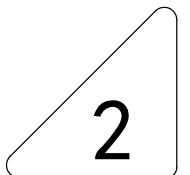
21x1



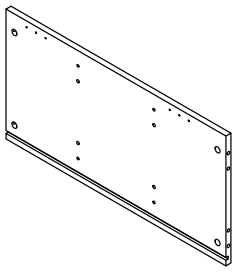
22x1



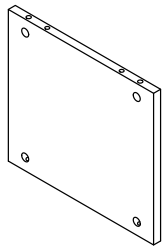
23x1



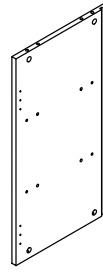
2



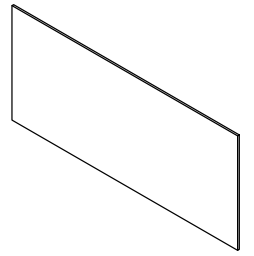
24x1



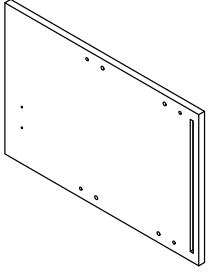
25x1



26x1



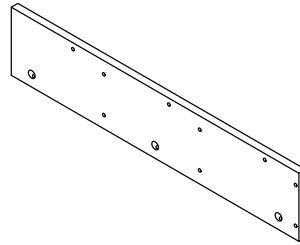
27x1



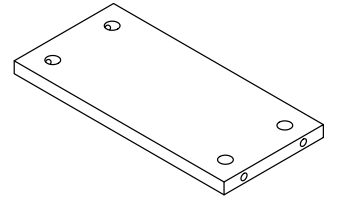
28x1



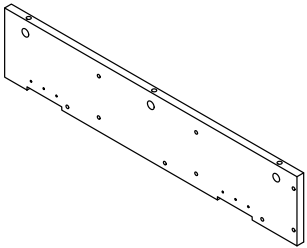
29x1



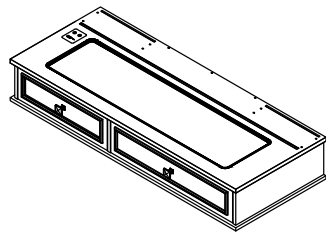
30x1



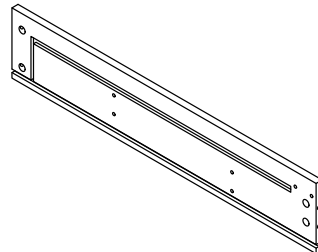
31x2



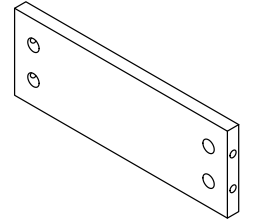
32x1



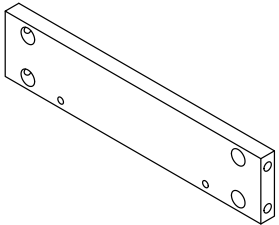
33x1



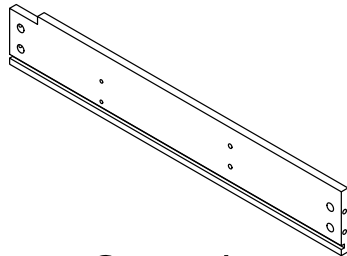
34x1



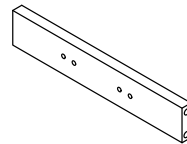
35x2



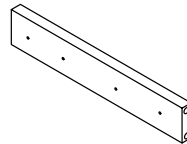
36x2



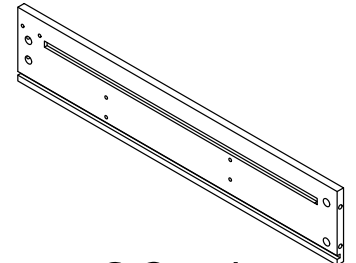
37x1



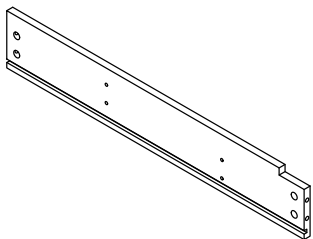
38Ax1



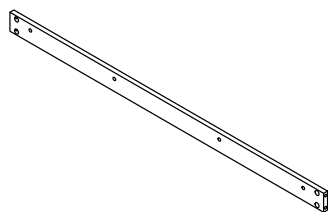
38Bx1



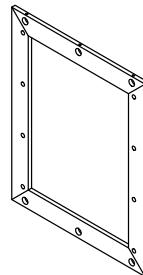
39x1



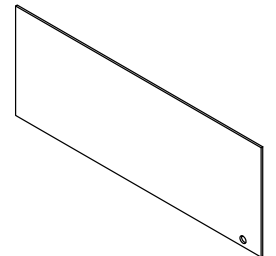
40x1



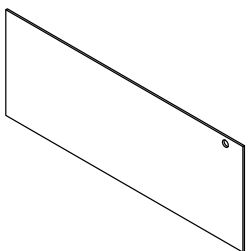
41x1



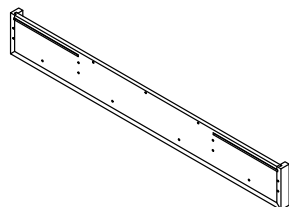
42x1



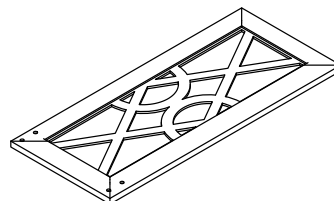
43Ax1



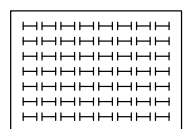
43Bx1



44x1

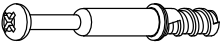


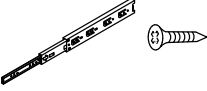


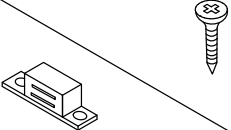
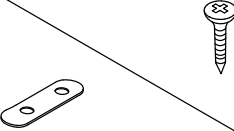
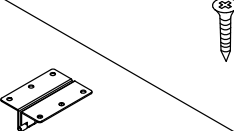
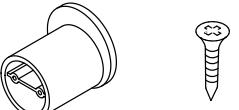
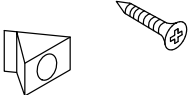


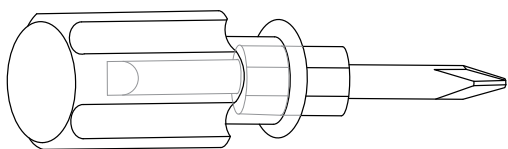
45x2



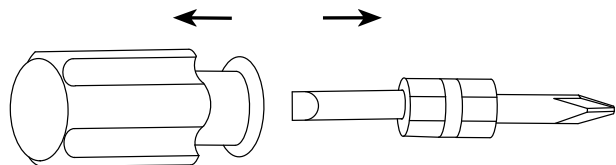
46x2

Accessories list

A		Two In One Screw (6x28mm)	164pcs +10pcs
B		Two In One Nut (10x12mm)	164pcs +10pcs
C		Wood Chipping (6x30mm)	28pcs +2pcs
D		Screw & Guide (3x12mm)	30pcs +3pcs 6pcs
E		Handle & Screw (4x8mm)	5pcs +2pcs 5pcs
F		Combination connection line	1pcs
G		Door Magnet & Screw (3x12mm)	4pcs +1pcs 2pcs
H		Iron Sheet & Screw (3x10mm)	4pcs +1pcs 2pcs
I		Hinge & Screw (B3.5x12mm)	24pcs +4pcs 4pcs
J		Round bracelet hook & Screw (3.5x20mm)	4pcs +1pcs 2pcs
K		Fixing clip & screw (3x16mm)	12pcs +2pcs






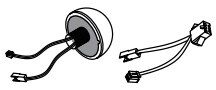

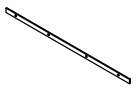
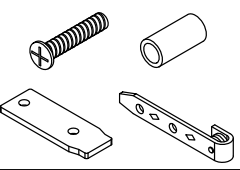


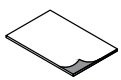
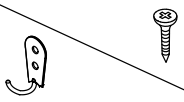

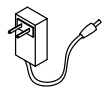
1pcs



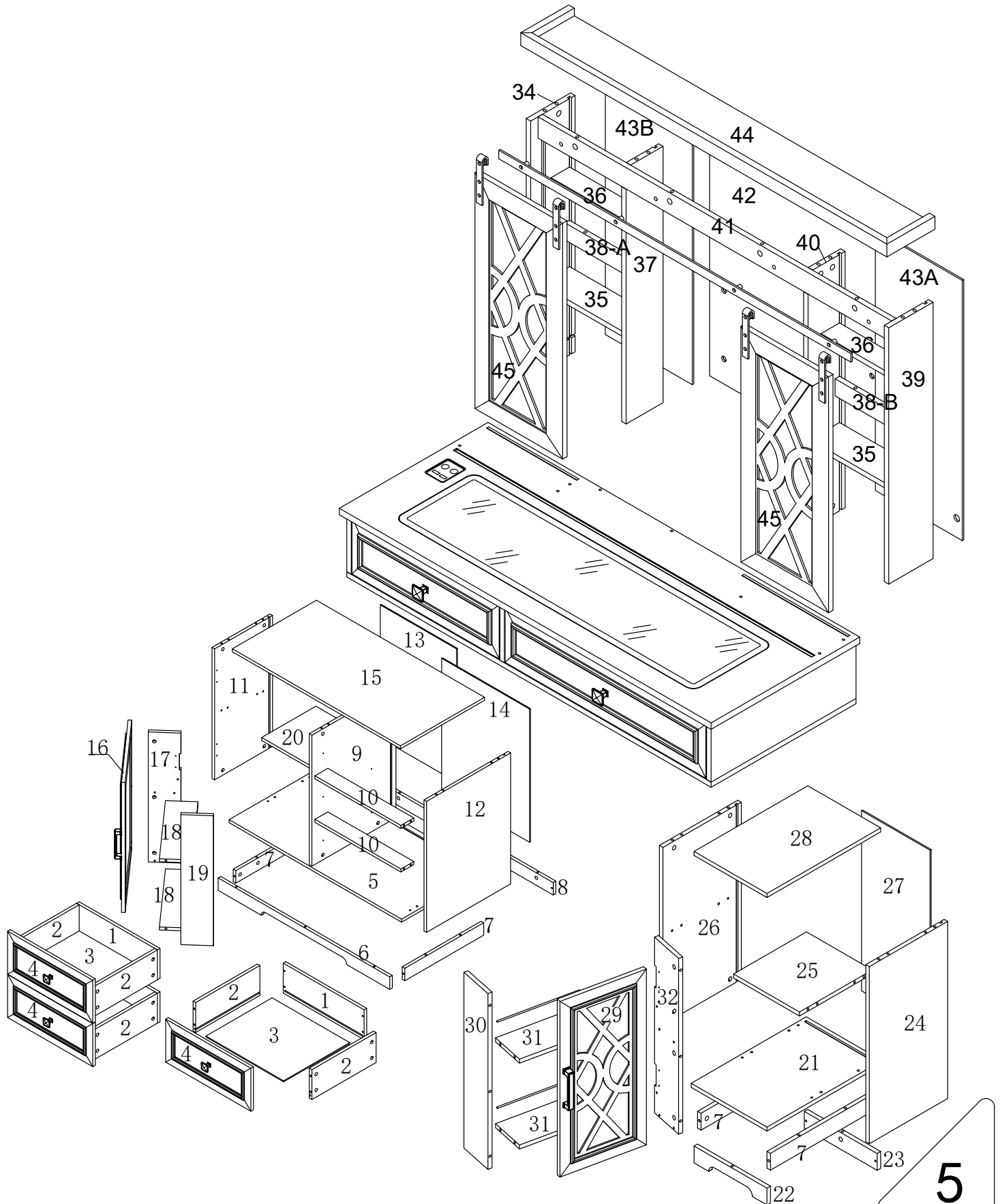
Double-head screwdriver, use as required

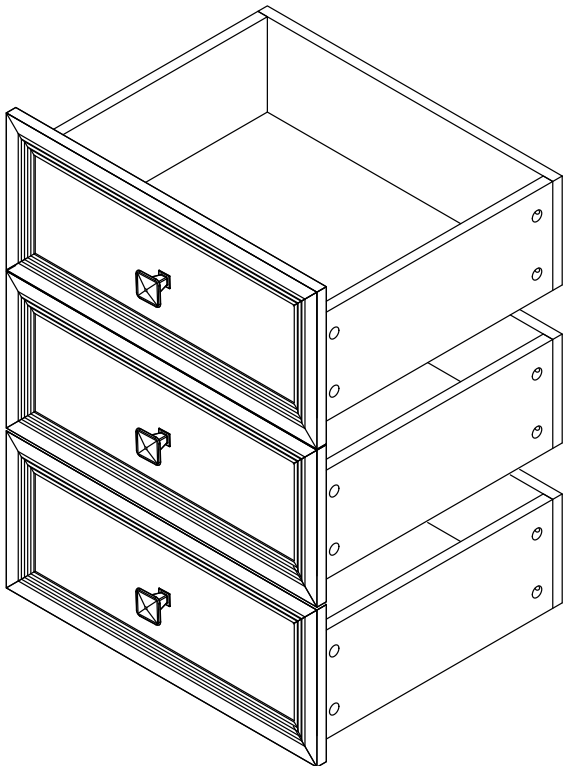
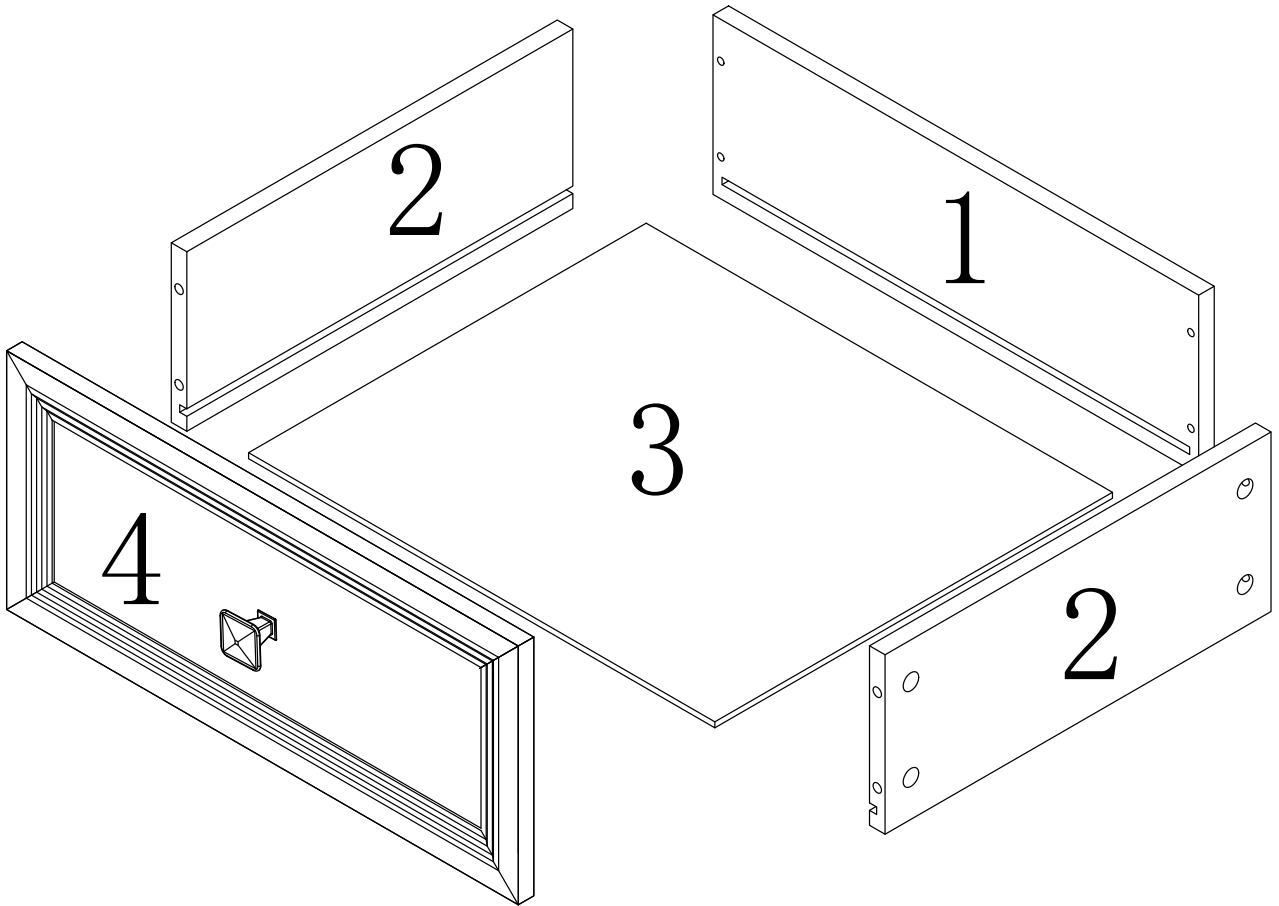
3

Accessories list

L		Handle & Screw (4x16mm)	<div style="display: flex; justify-content: space-between;"> 2pcs 4pcs +1pcs </div>
M		Iron pillar (4.5x343mm)	2pcs
N		Iron pillar (4.5x238mm)	3pcs
O		Double end connecting line Light Bulb	<div style="display: flex; justify-content: space-between;"> 8pcs 1pcs </div>
P		Wire Clamp	9pcs +2pcs
Q		Iron guide rail	1pcs
R		Screw (6x28mm)	<div style="display: flex; justify-content: space-between;"> 4pcs 4pcs </div>
		Iron guide rail hook Plastic slide	<div style="display: flex; justify-content: space-between;"> 4pcs 4pcs </div>
S		(B3.5x12mm)	8pcs
T		Screw (6x12mm)	8pcs
U		Non-slip pads	8pcs +2pcs
W		Hooks & Screw (3x12mm)	<div style="display: flex; justify-content: space-between;"> 4pcs 8pcs +1pcs </div>
X		Anti inverted right angle grommet Screw(3.5x14mm)	2pcs
		Screw(4x45mm) Countersunk head tapping	2pcs
	AC/DC Adapter(12V 3.0A) 1pcs		

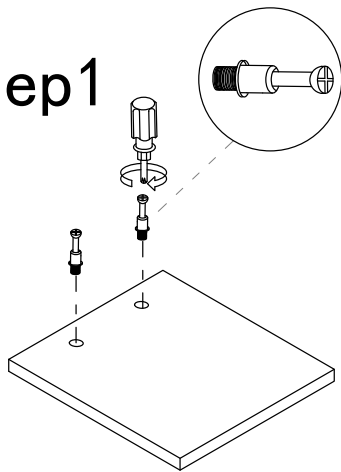
Product Explosion diagram



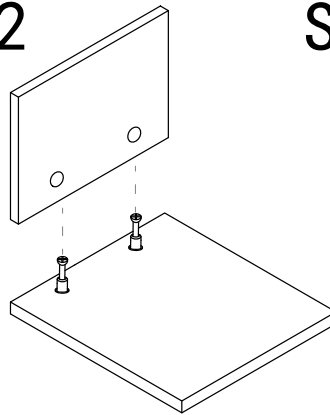


Use parts A and B

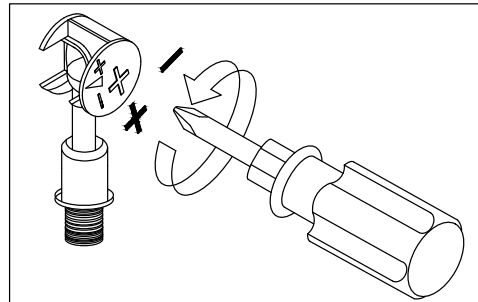
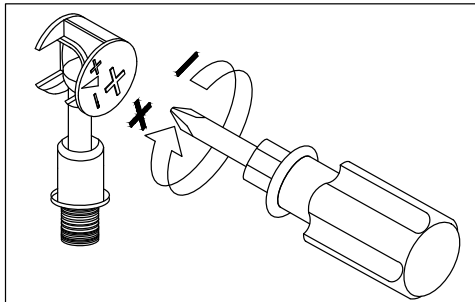
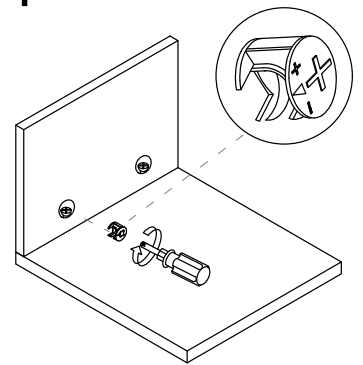
Step1



Step2



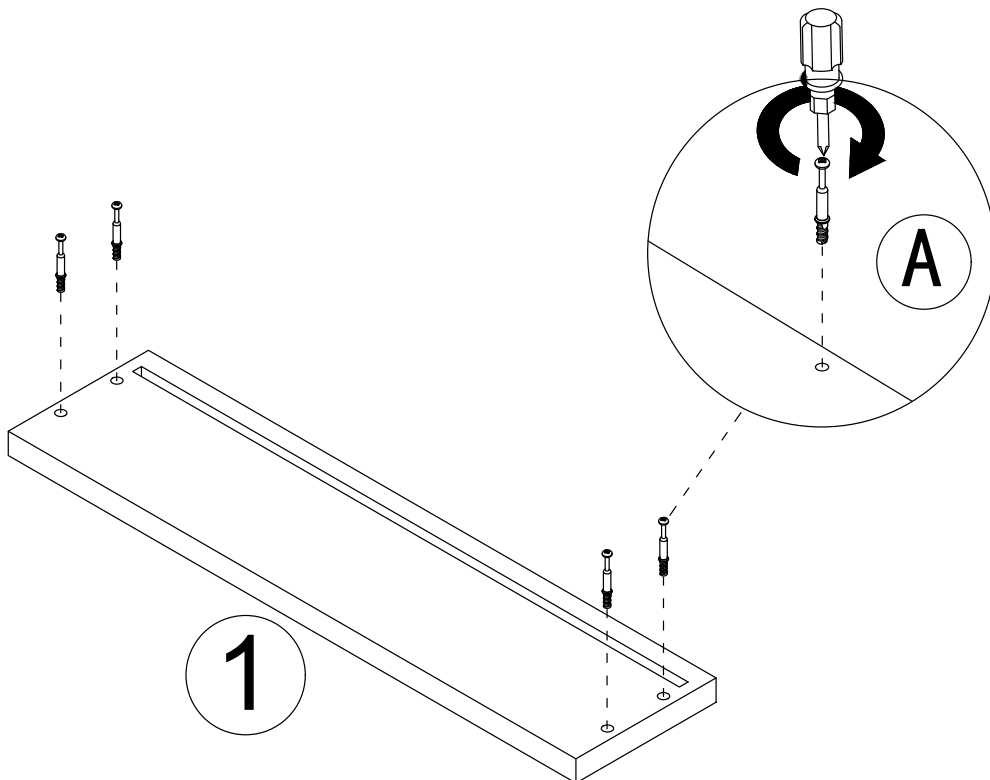
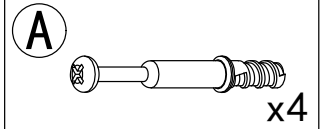
Step3



Use a screwdriver to lock in the direction of the "+" sign

Disassemble along the direction of "-" sign

Step 1

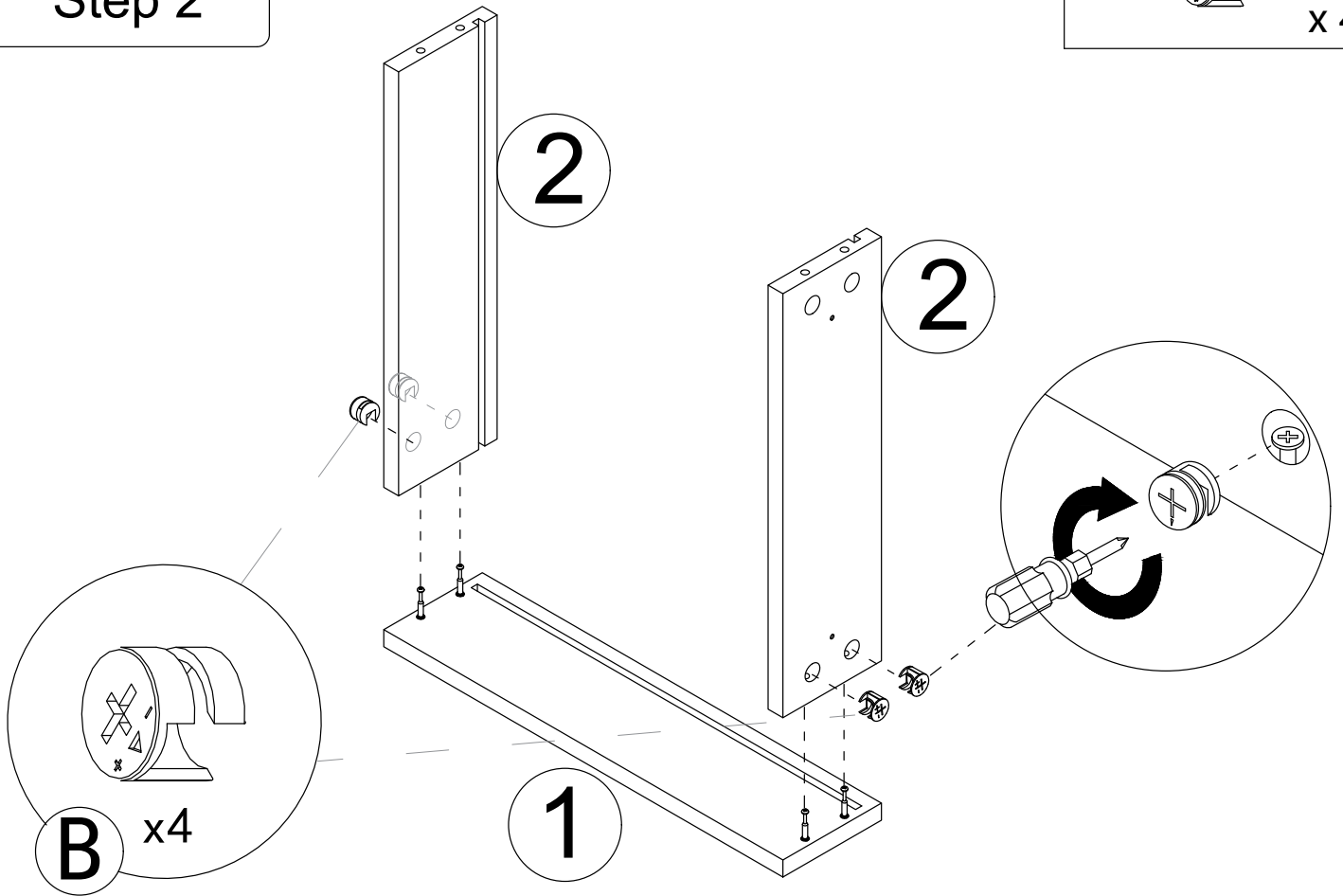


1

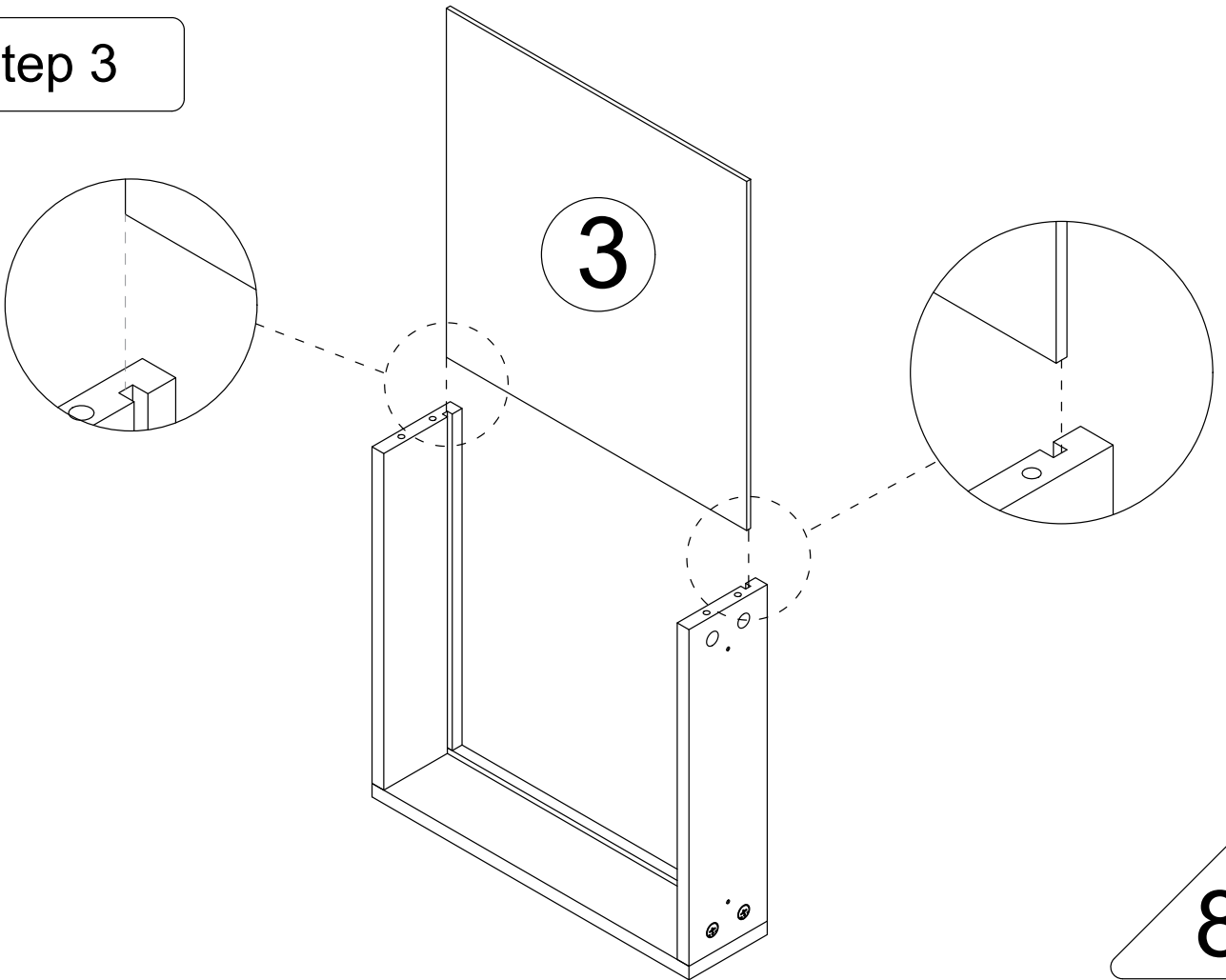
7

Step 2

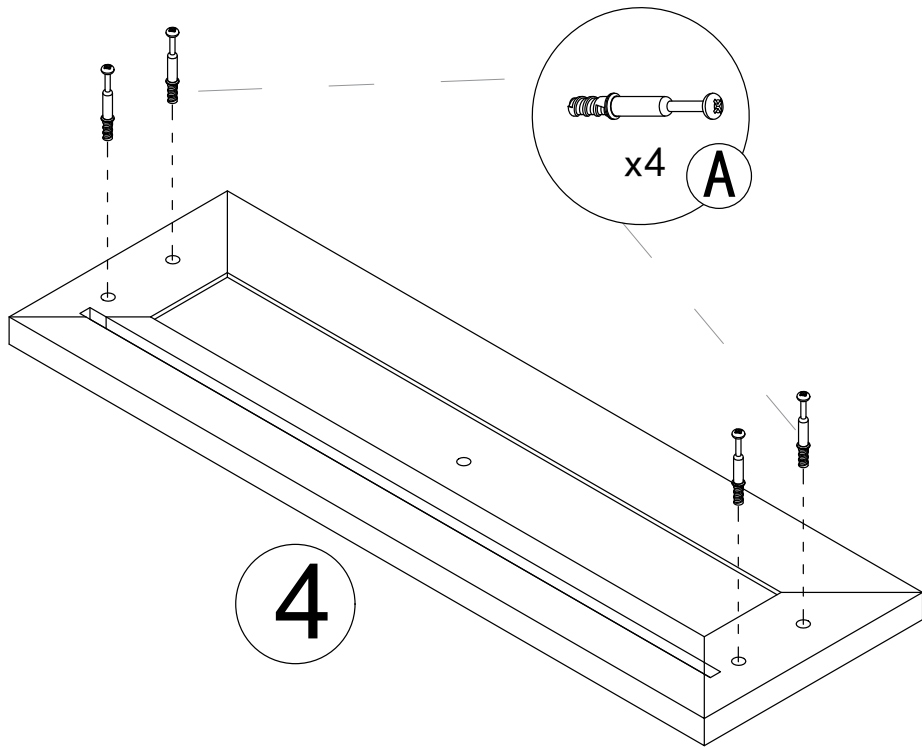
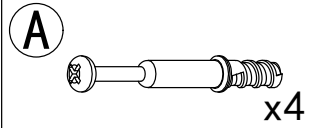
B  x 4



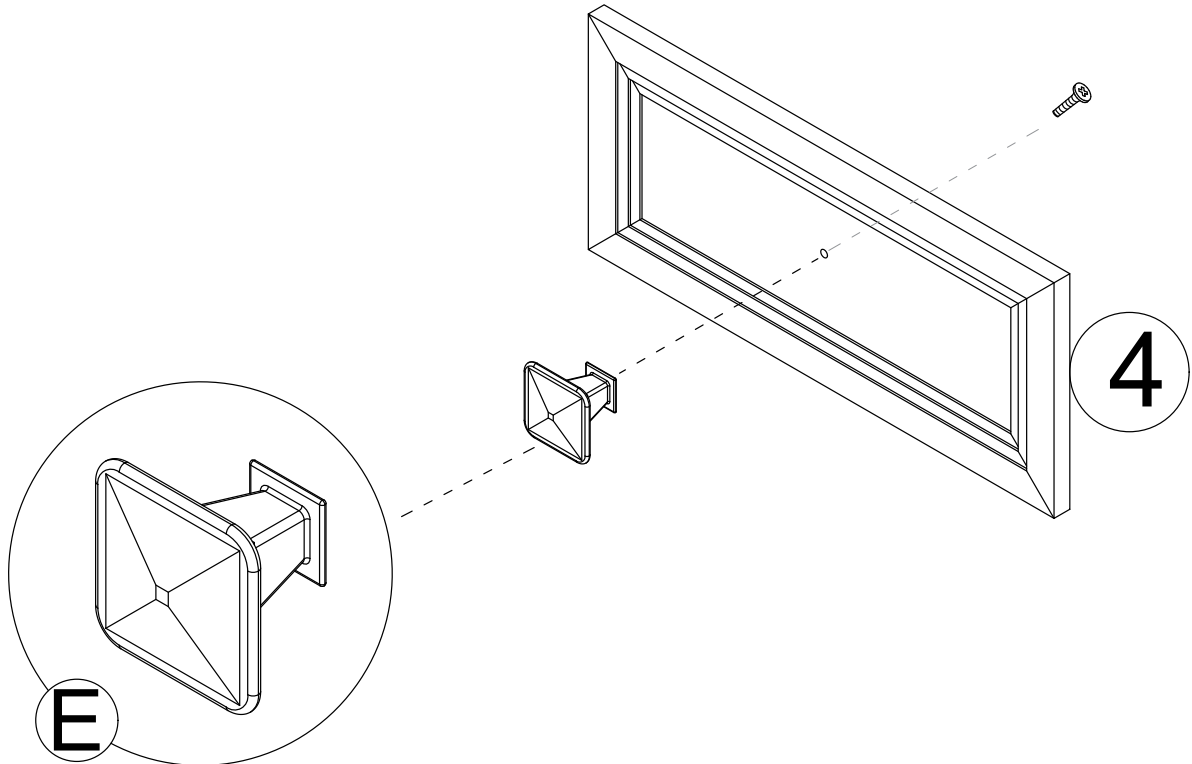
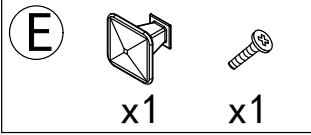
Step 3



Step 4



Step 5

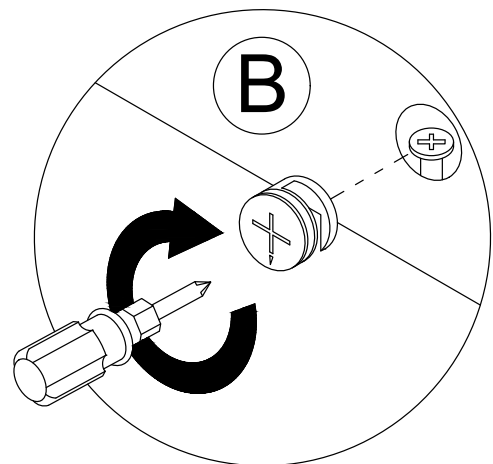
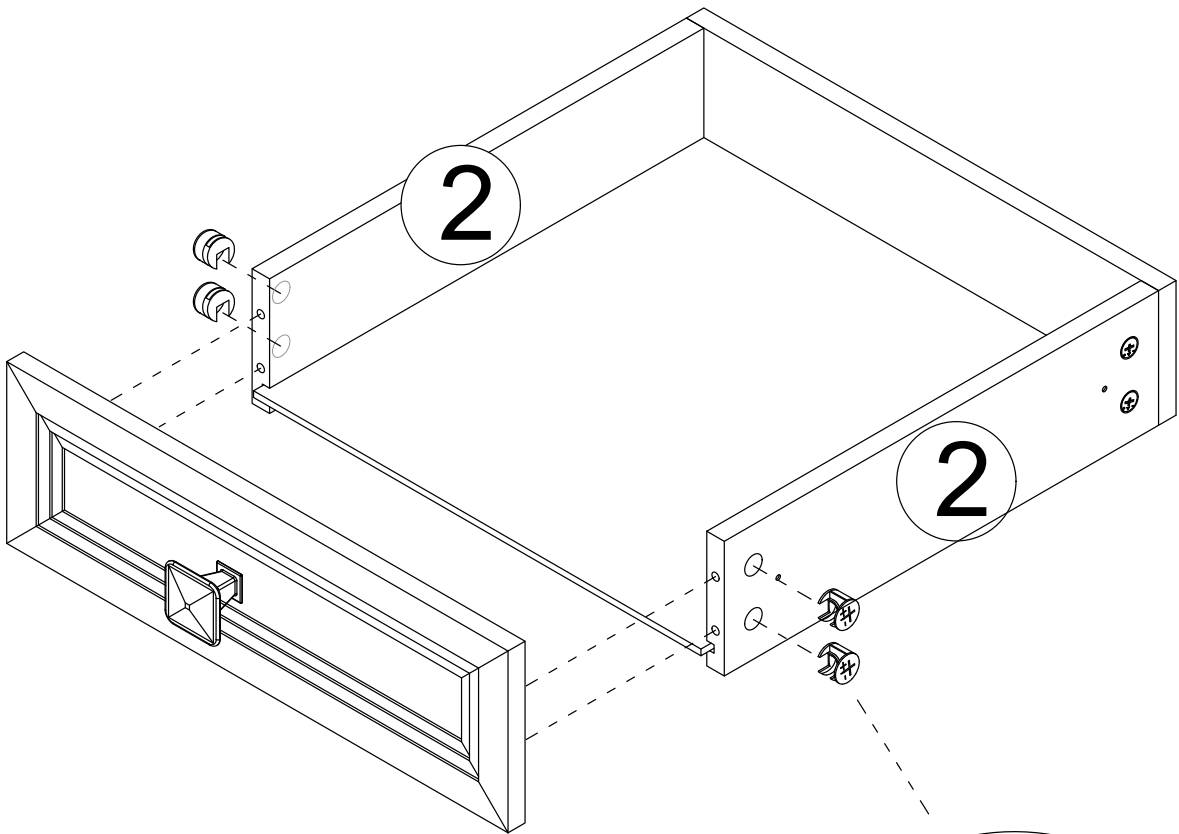


Step 6

B

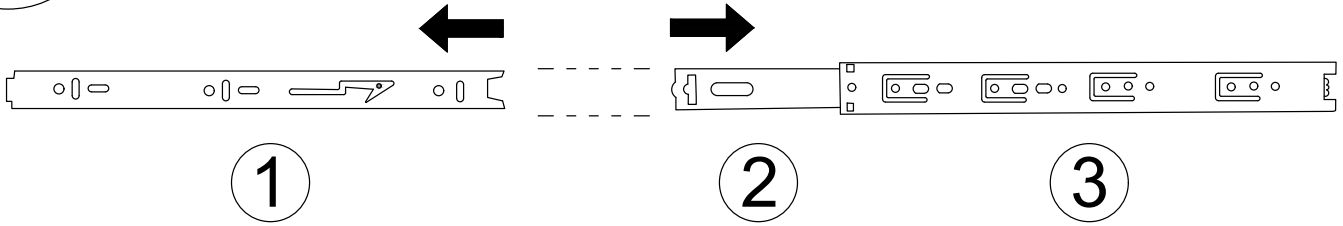


x 4



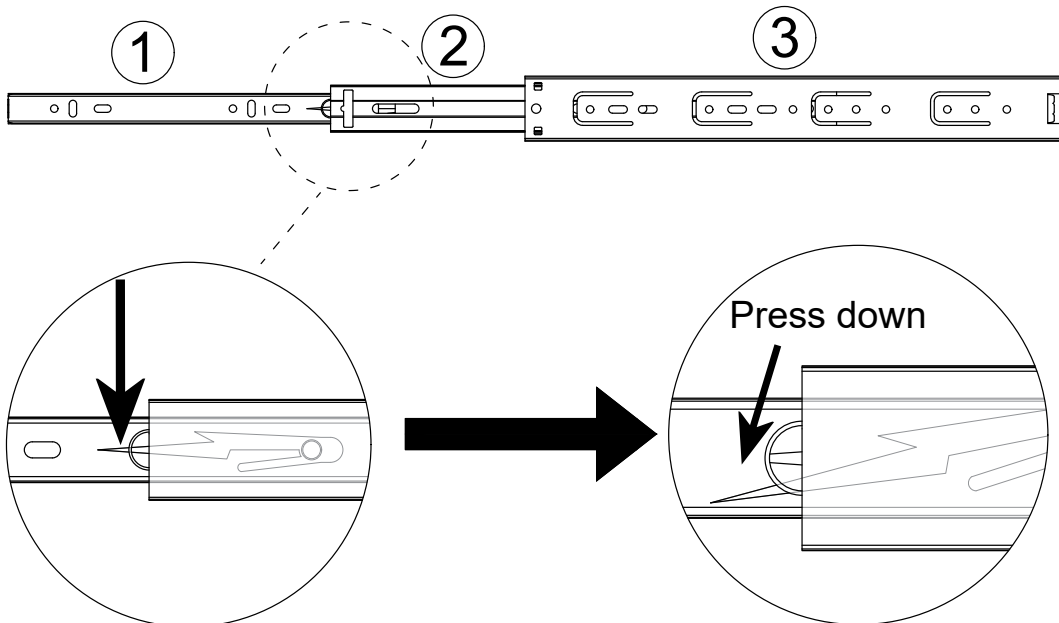
D

Drawer rail breakdown diagram



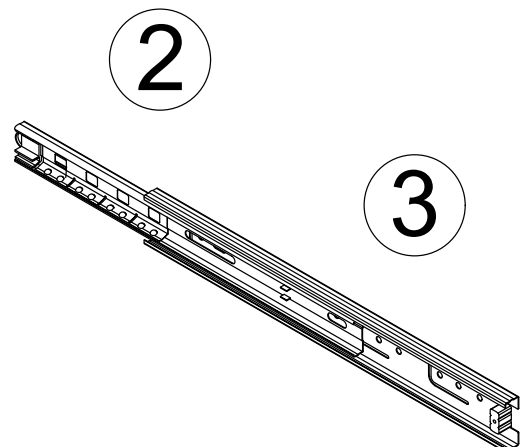
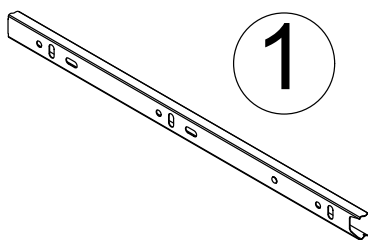
① Dismantle the schematic diagram

Step 1 : Pull the rails apart

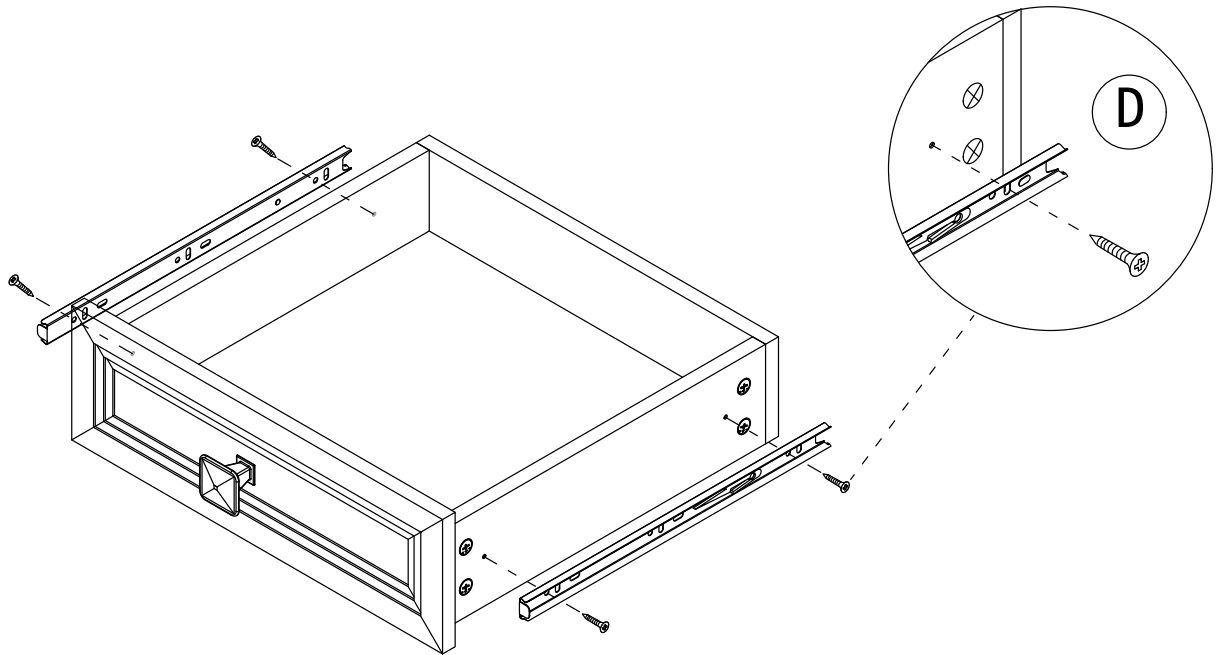
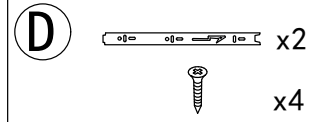
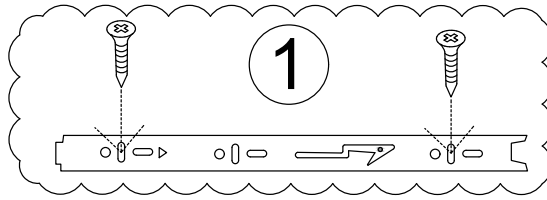


Step 2 : Press the nylon button and pull out ①.

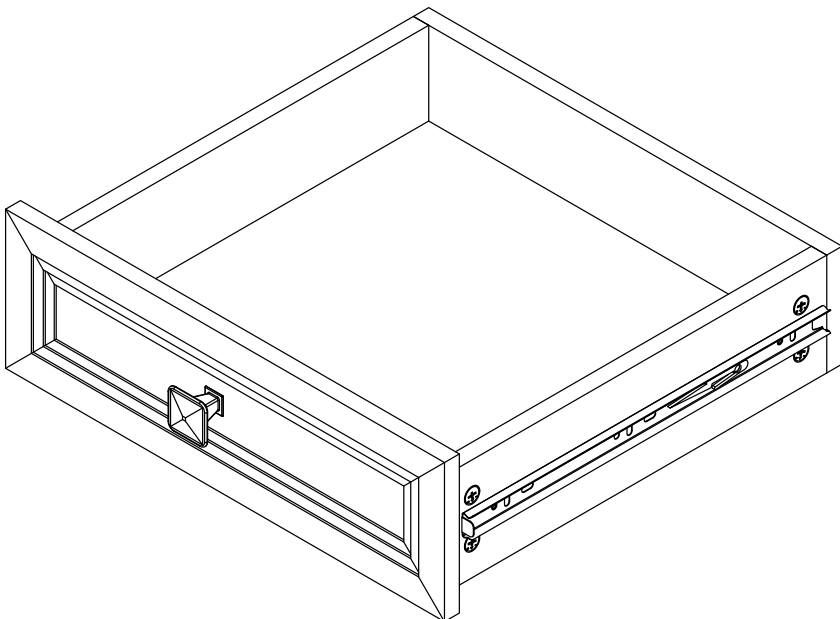
Drawer rail decomposition completed schematic diagram



Step 7



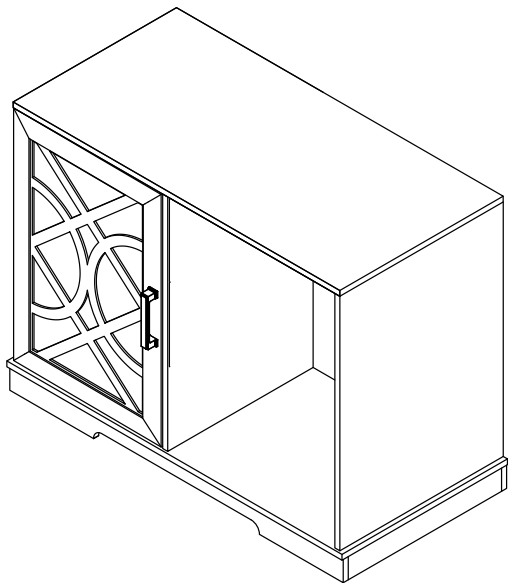
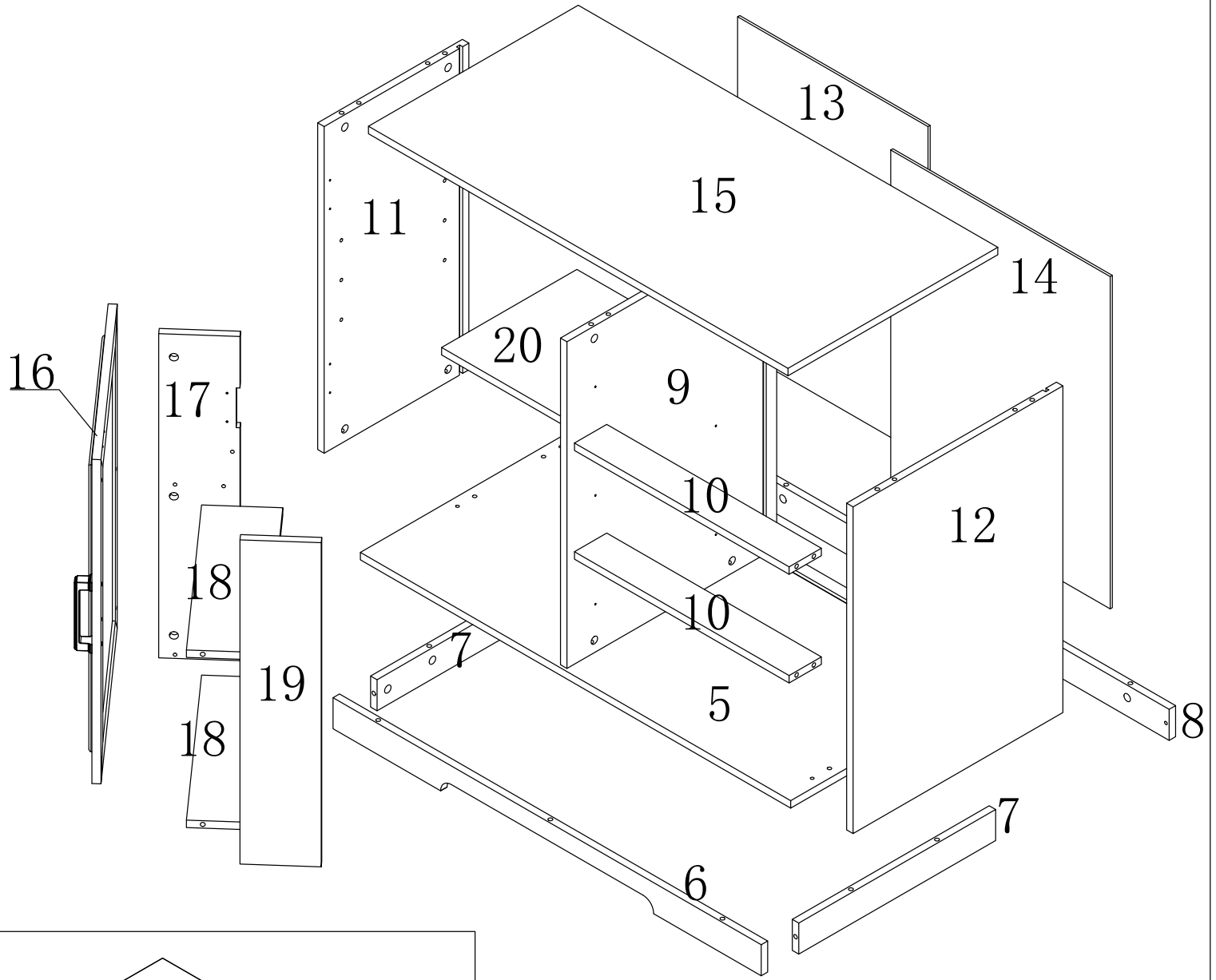
Step 8



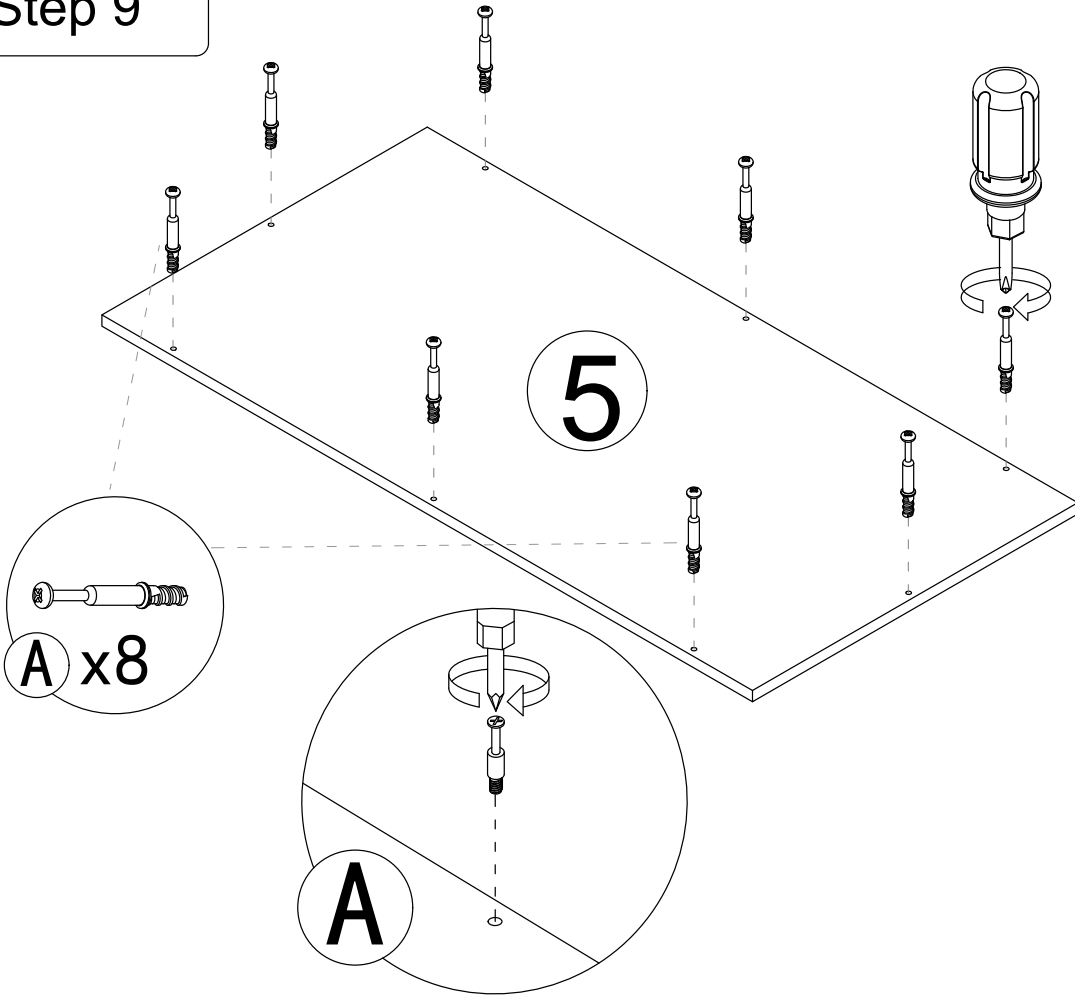
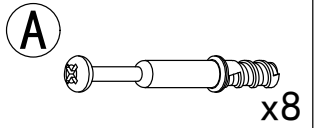
x3

Repeat the drawer installation steps

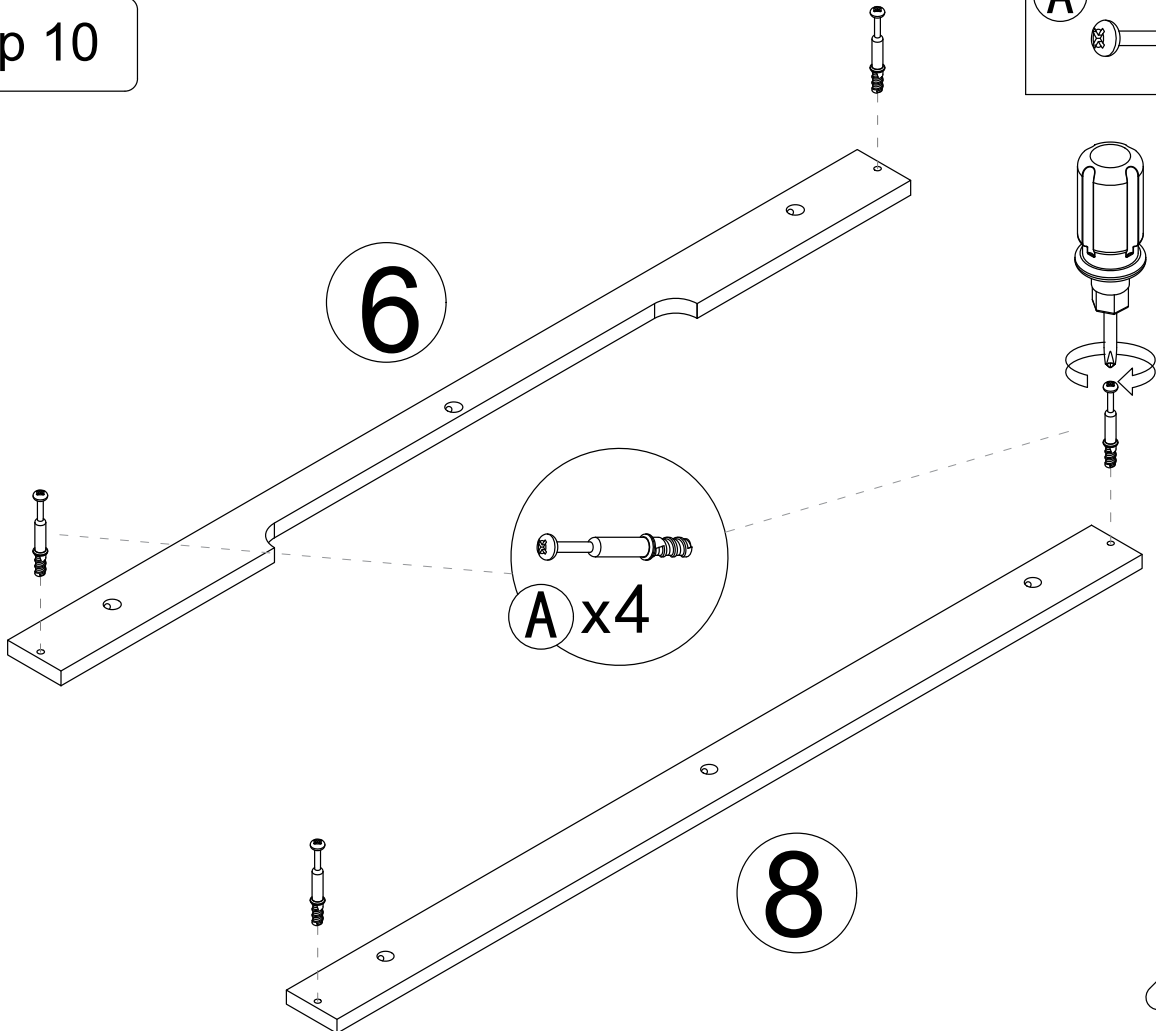
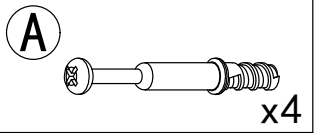
11



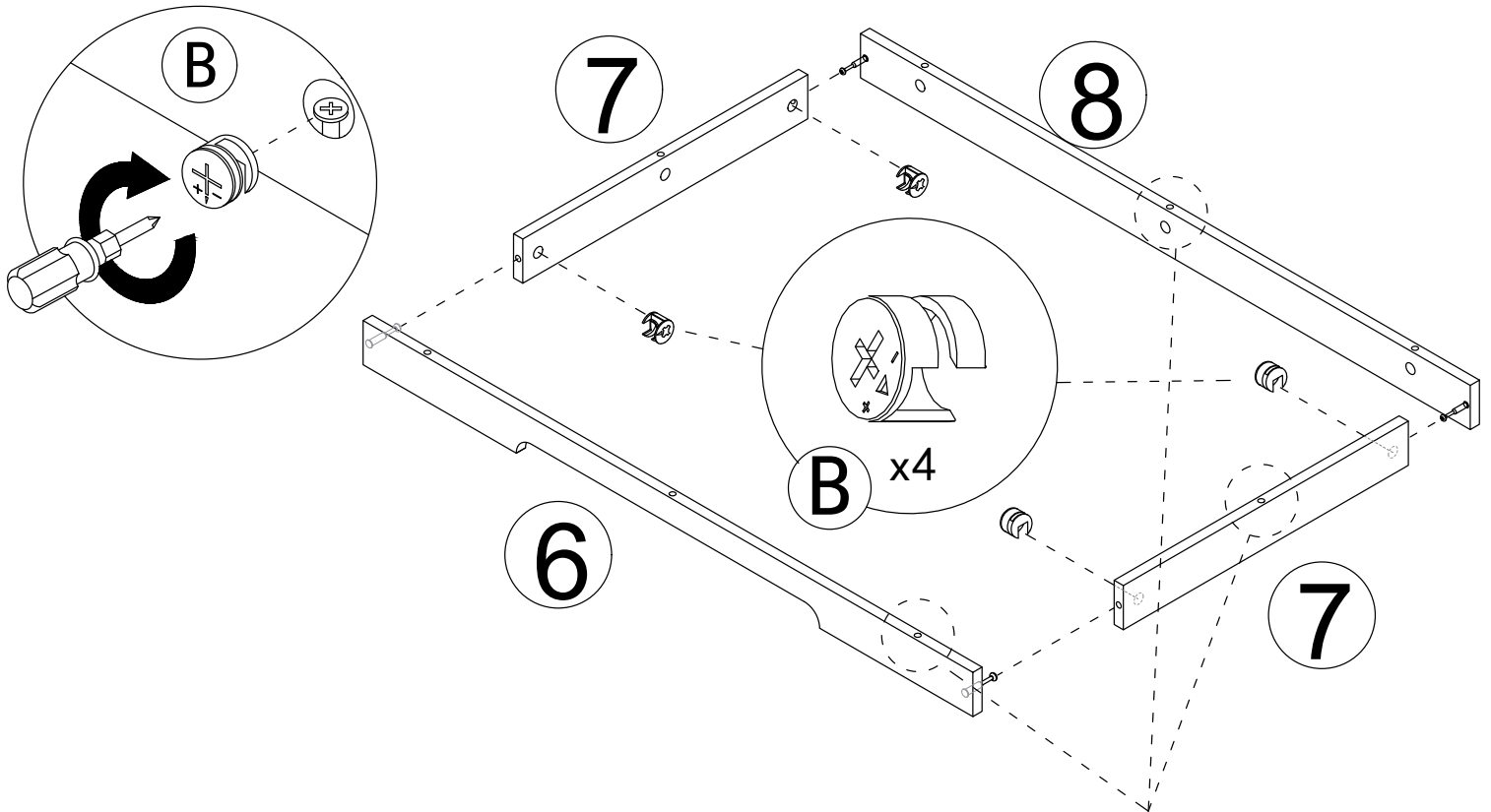
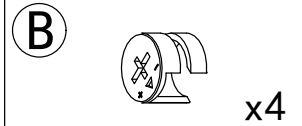
Step 9



Step 10



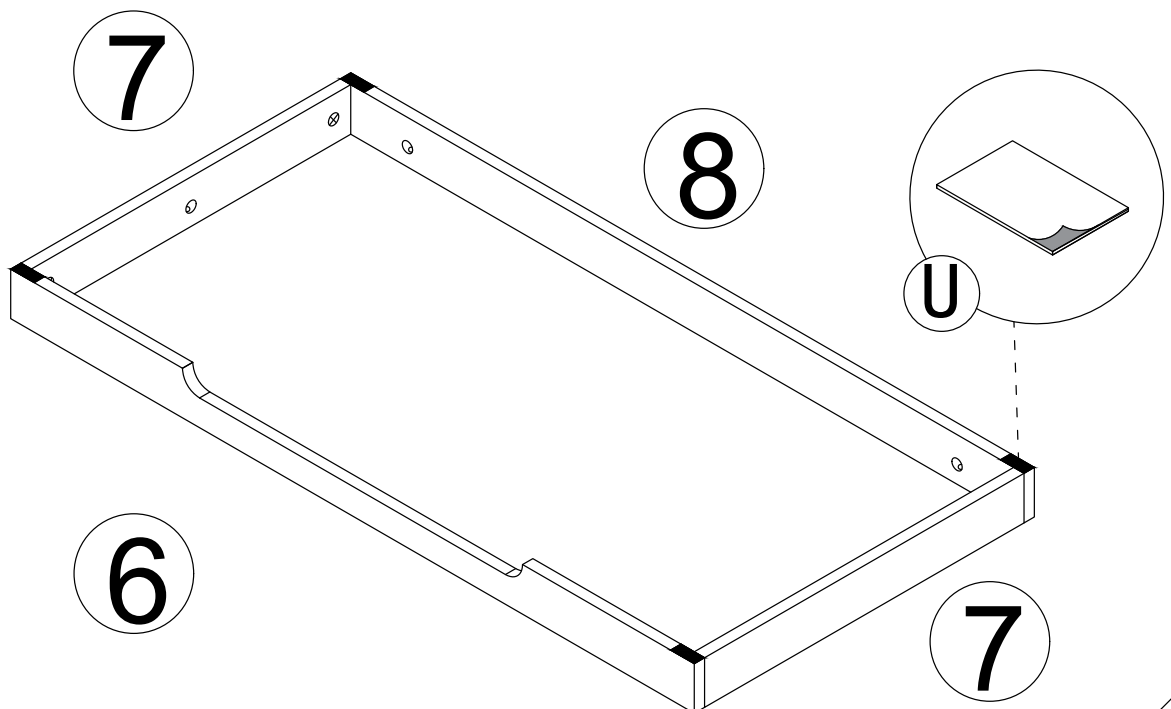
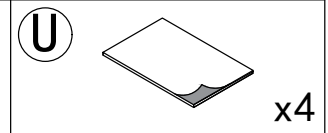
Step 11



The side holes of the "6", "7", "8" plate are in the same direction.

Step 12

Tear off release paper and stick the black foot pad on the board



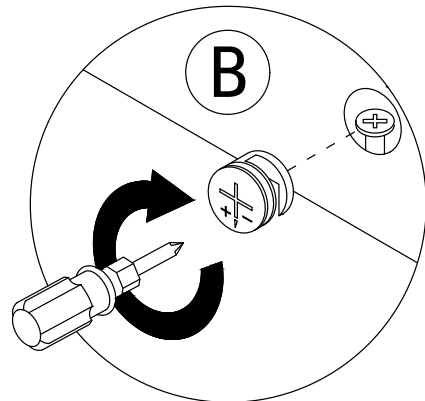
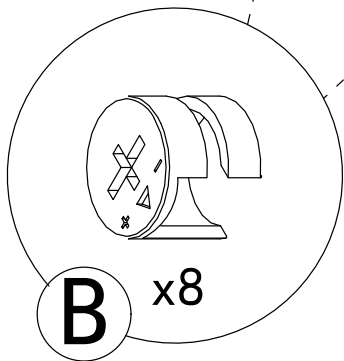
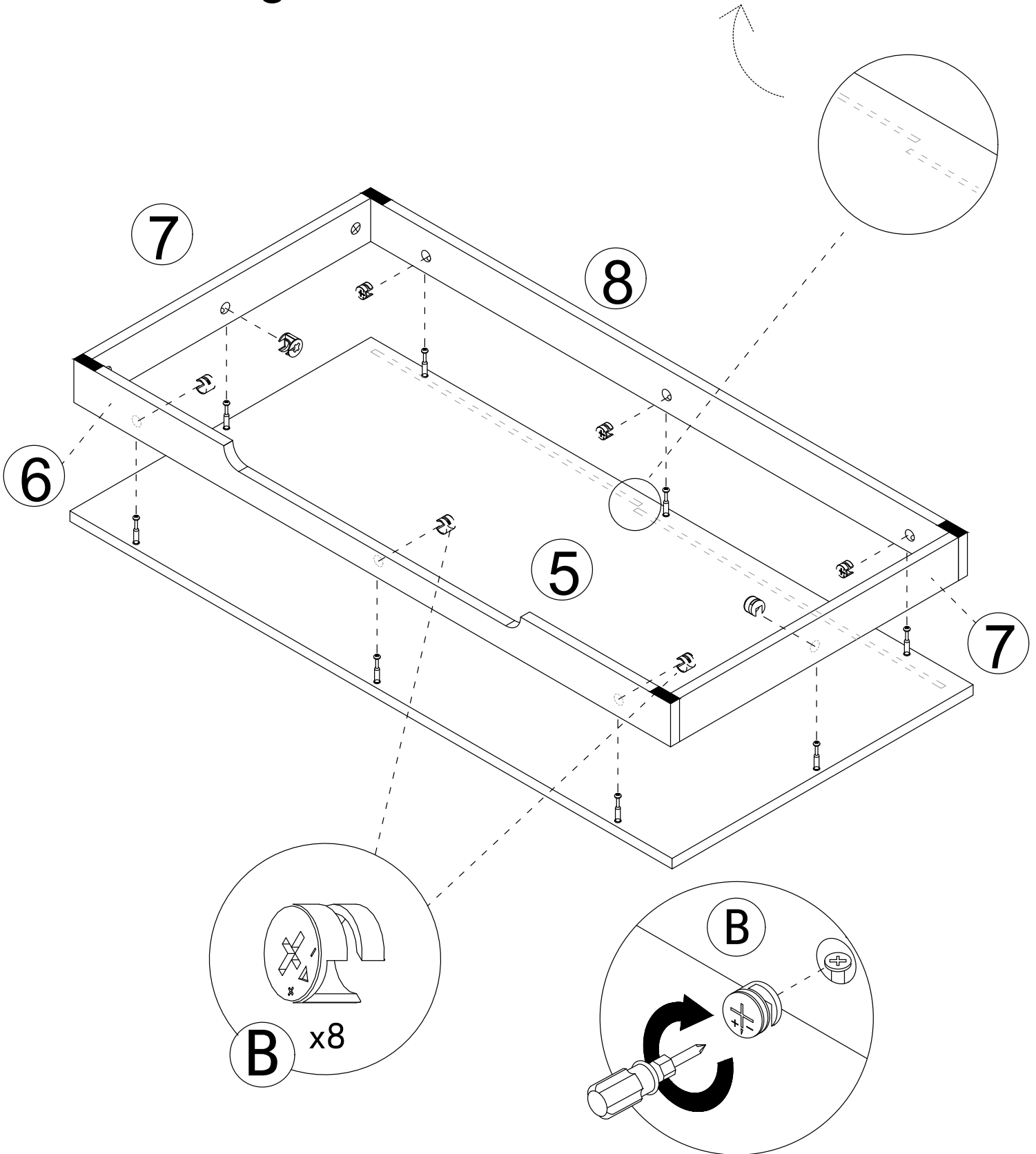
Step 13

The ones with grooves are at the back

B

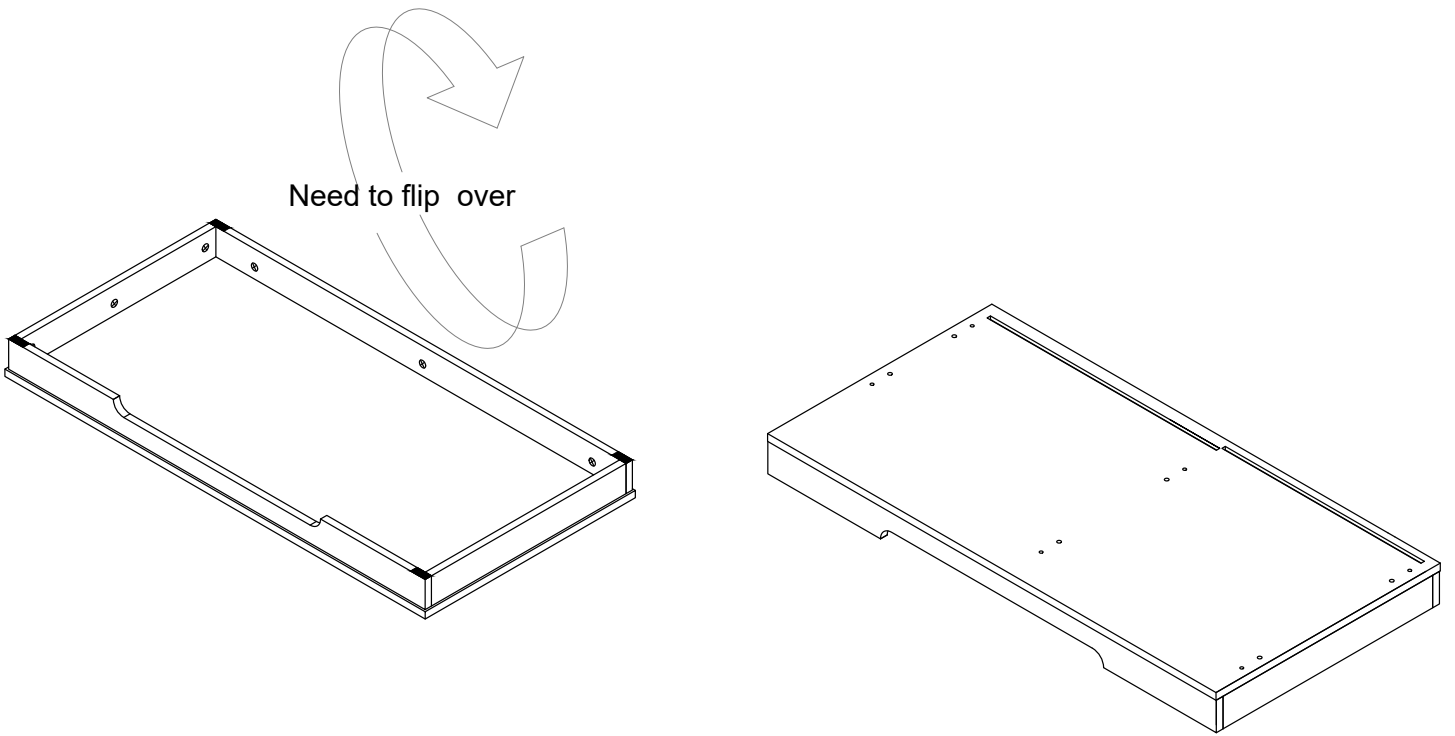


x8

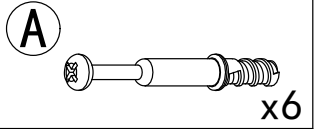
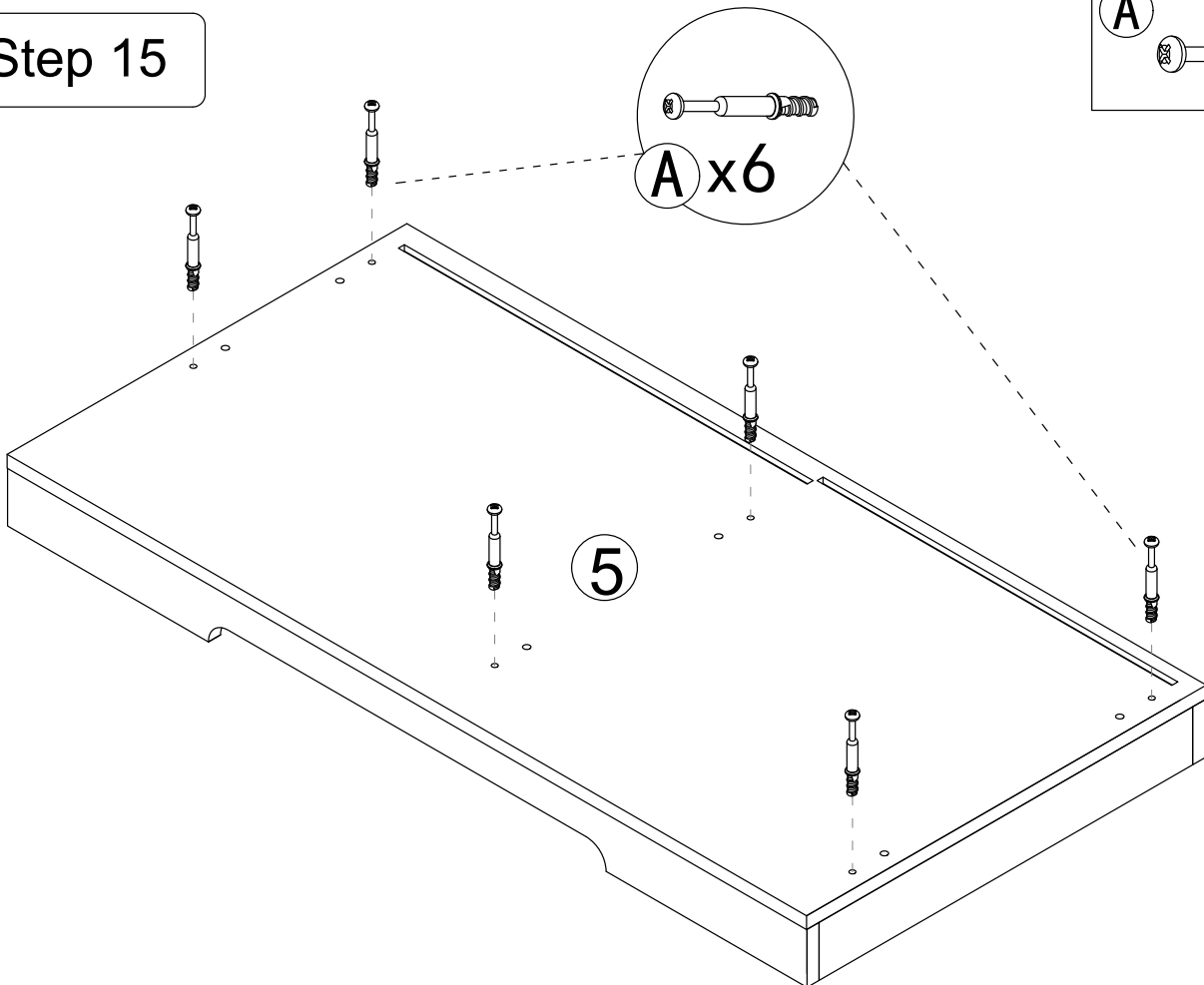


Step 14

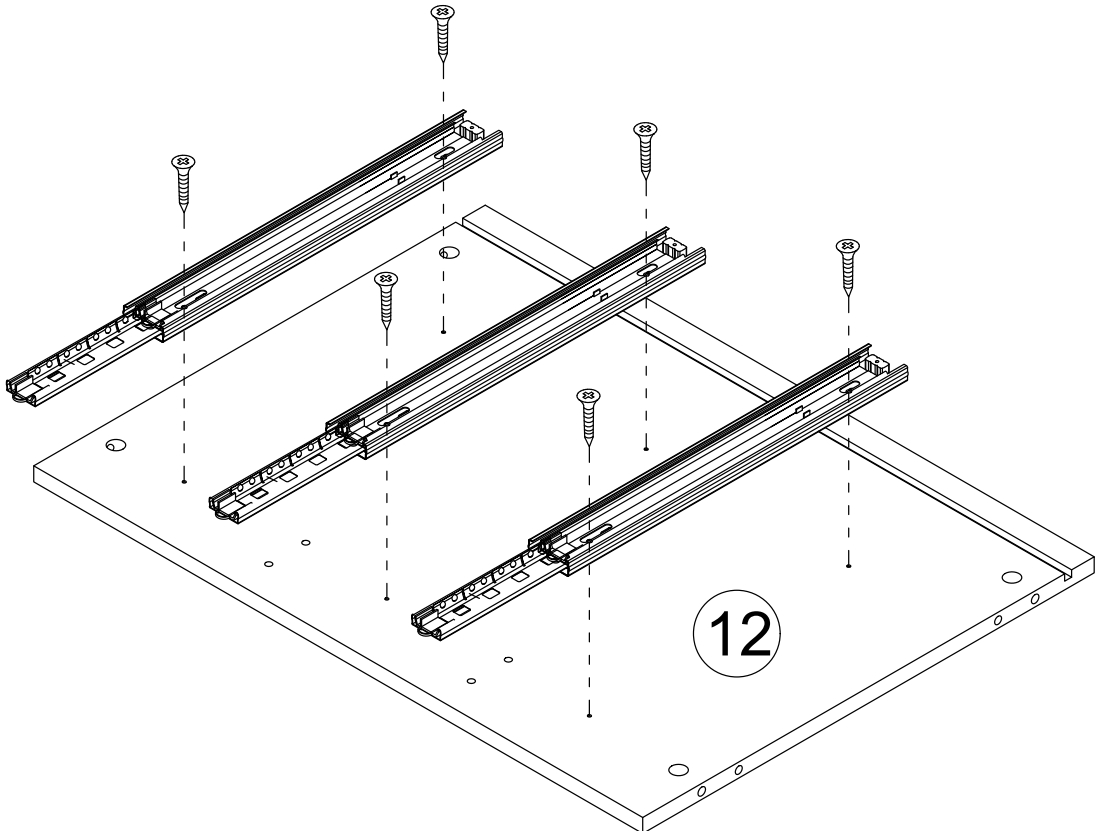
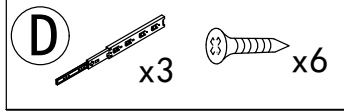
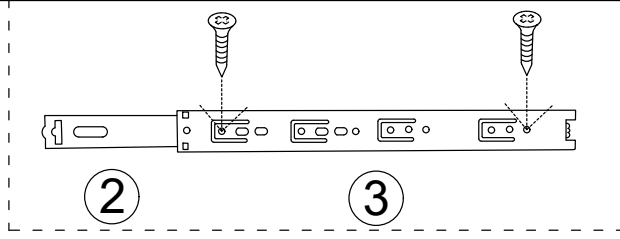
Need to flip over



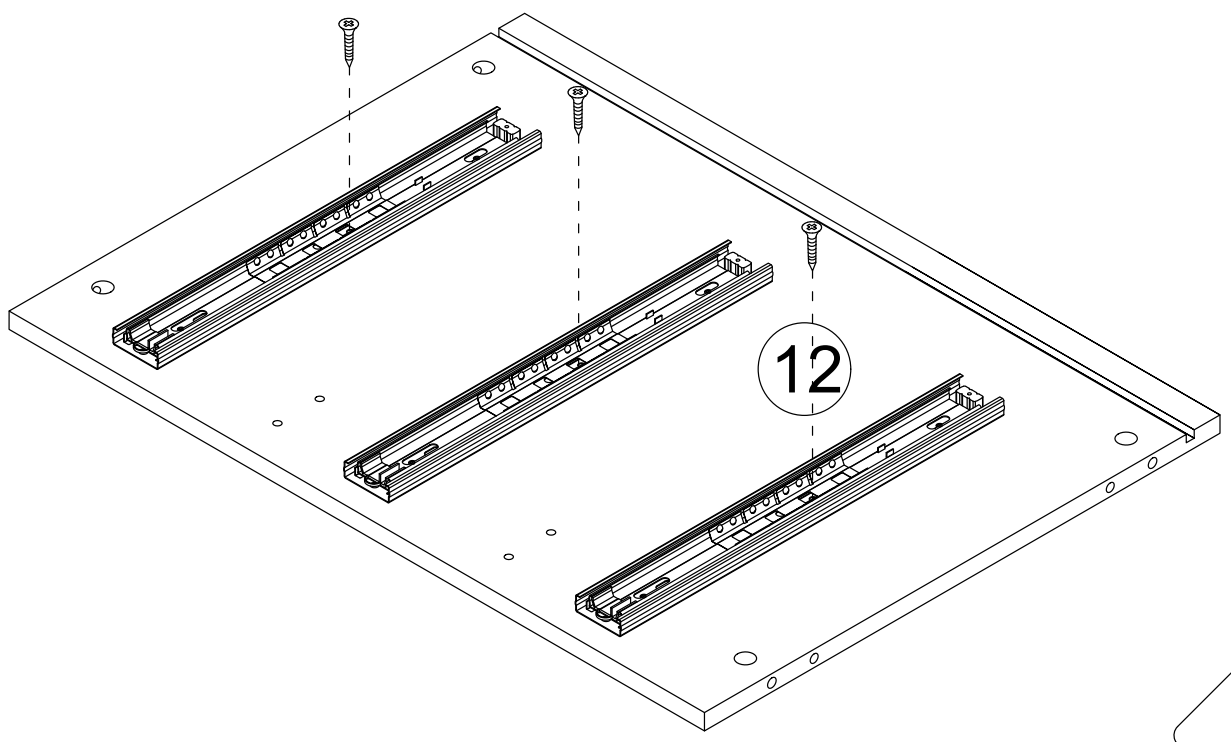
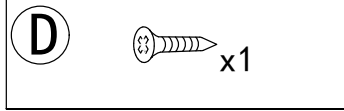
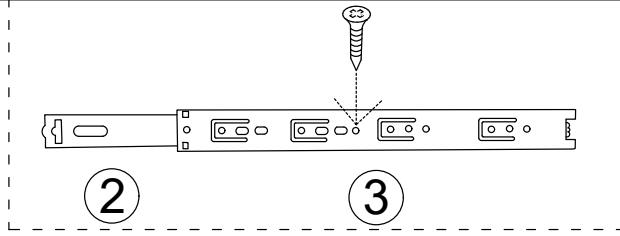
Step 15



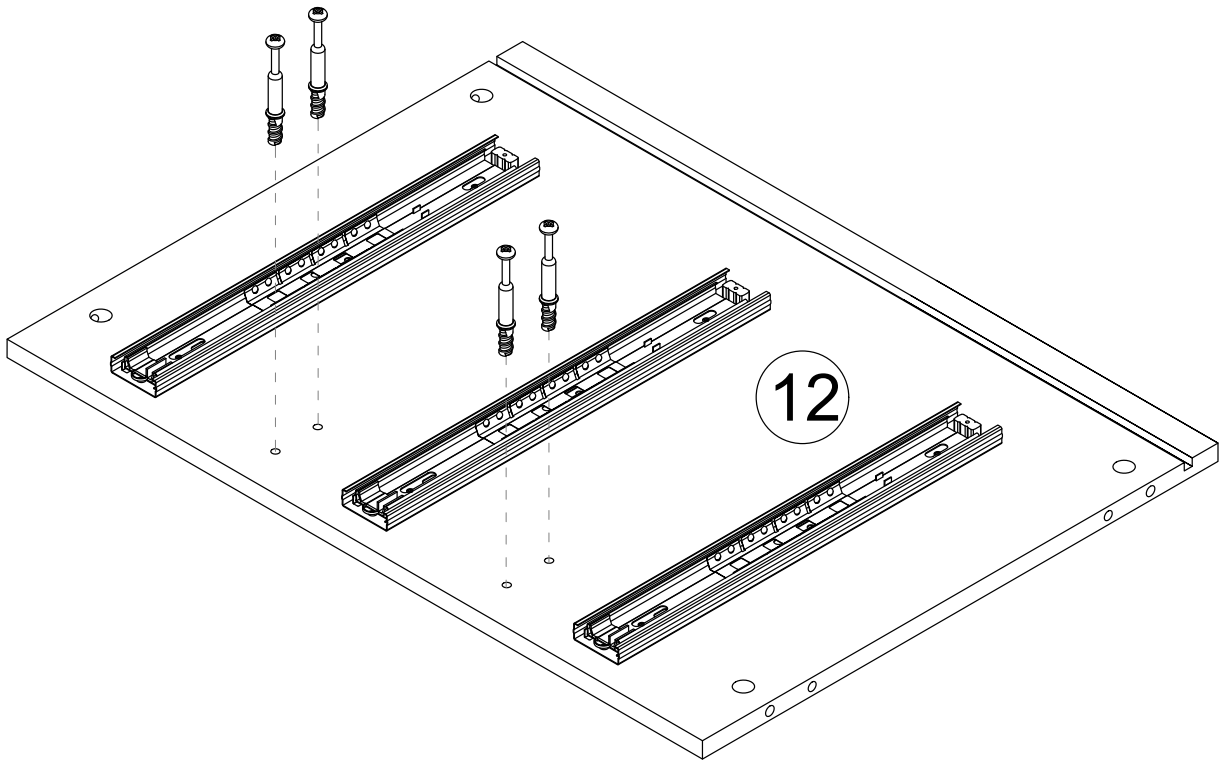
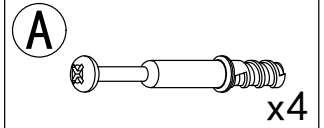
Step 16



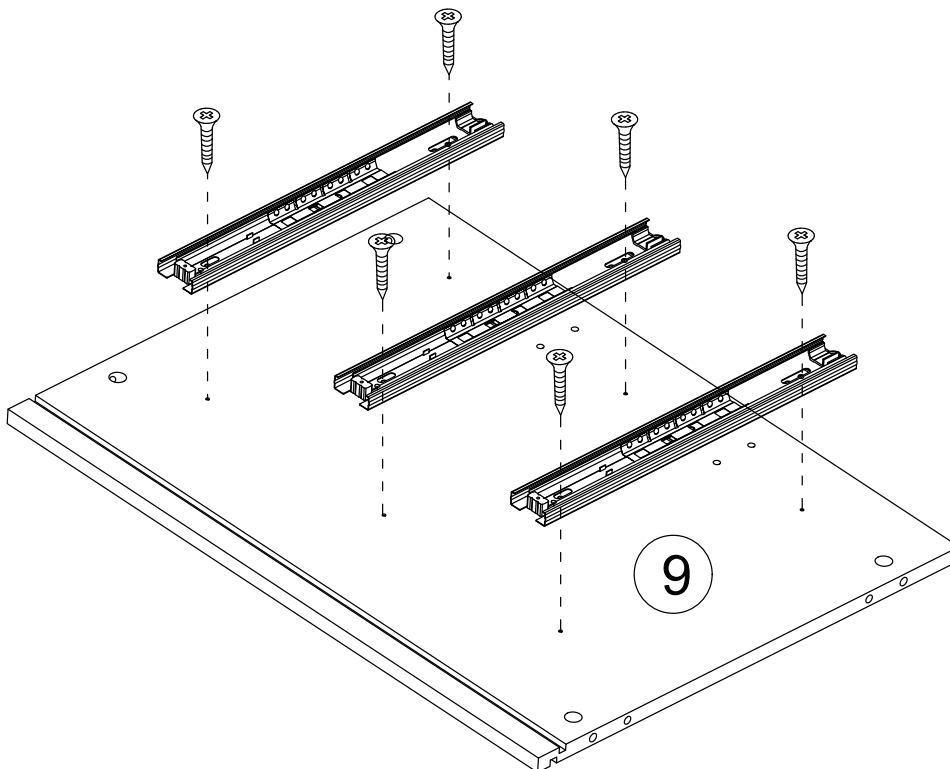
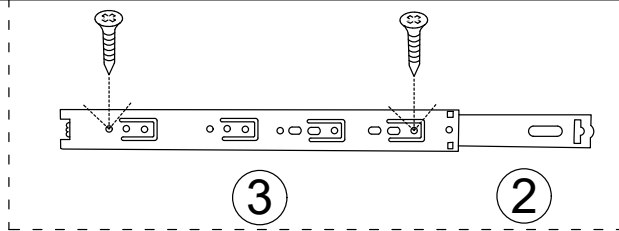
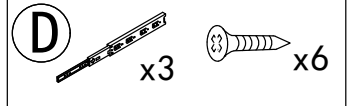
Step 17



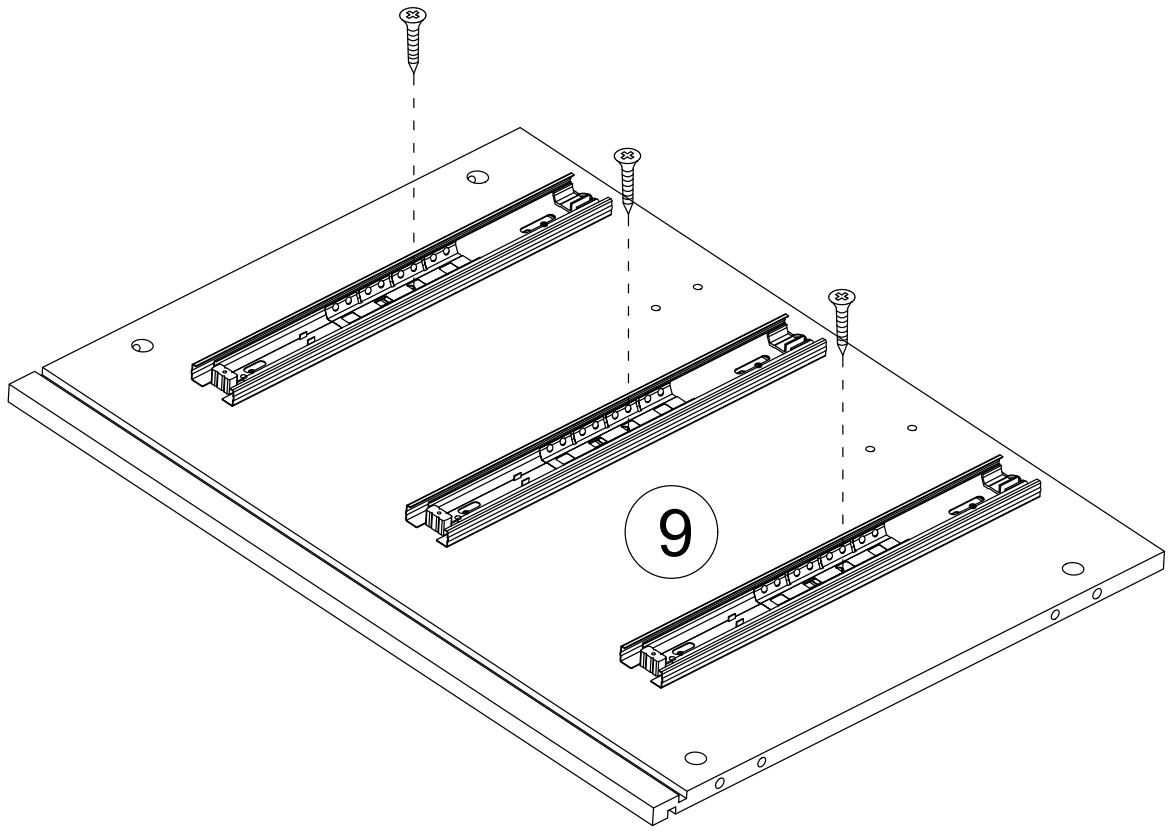
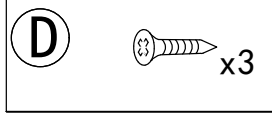
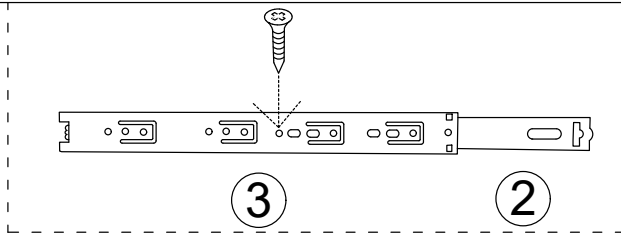
Step 18



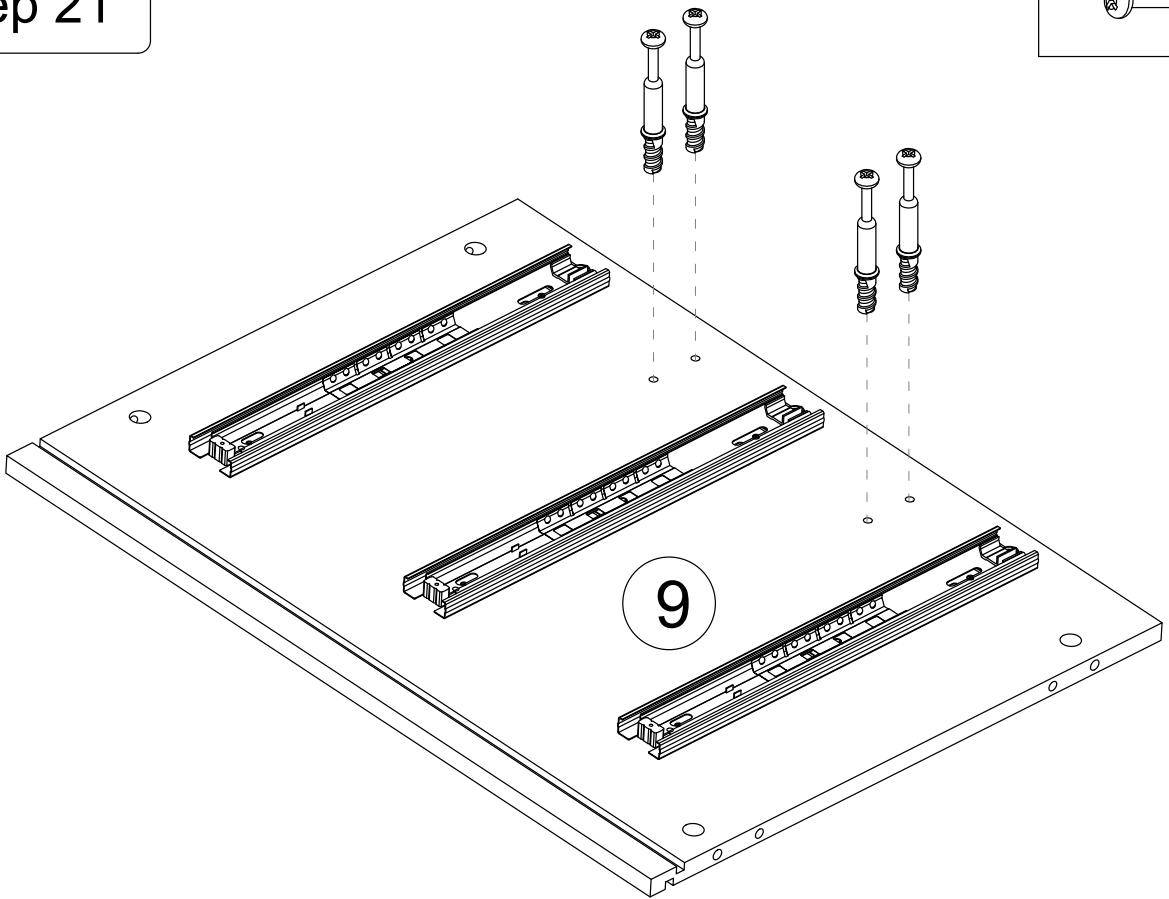
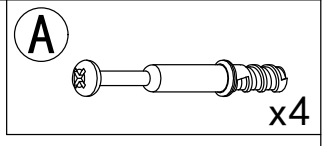
Step 19



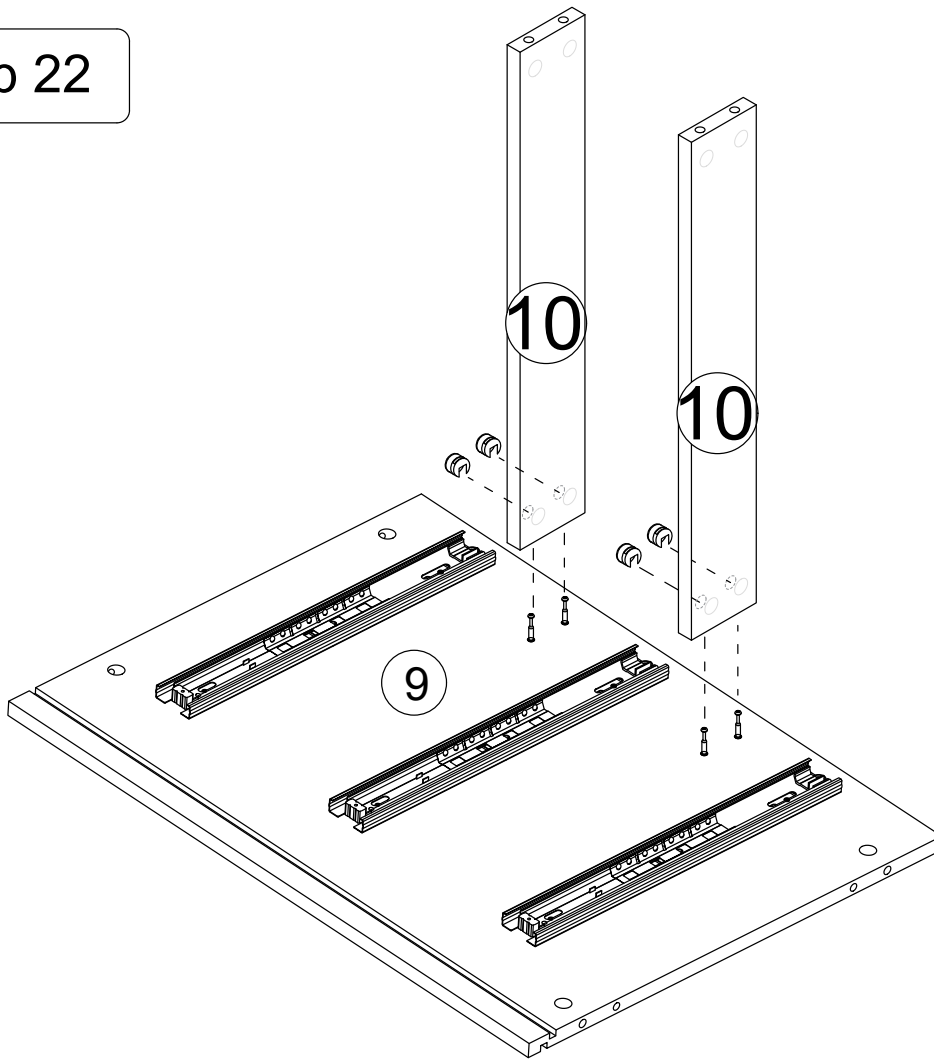
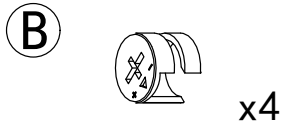
Step 20



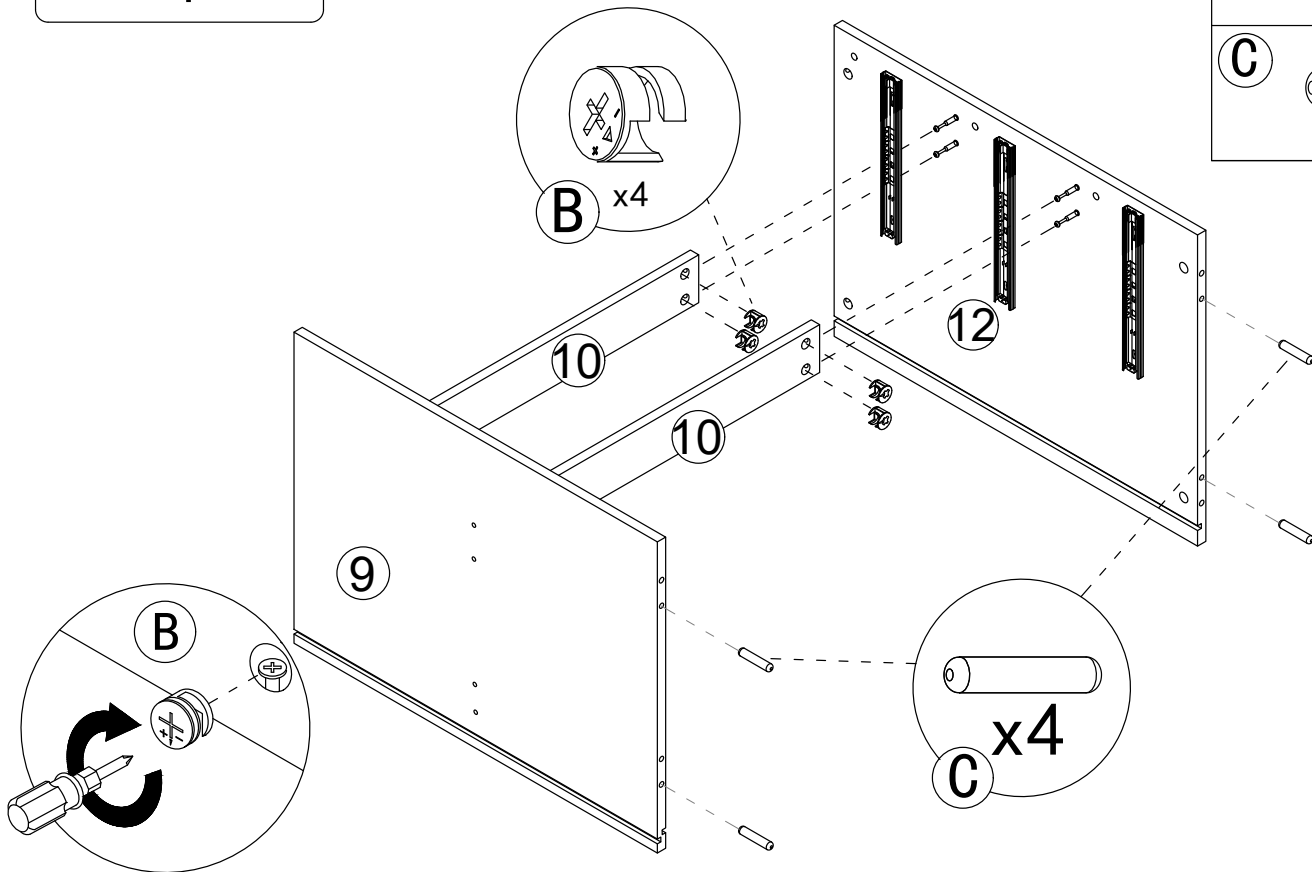
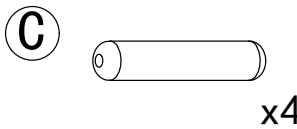
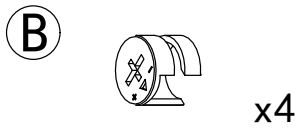
Step 21



Step 22

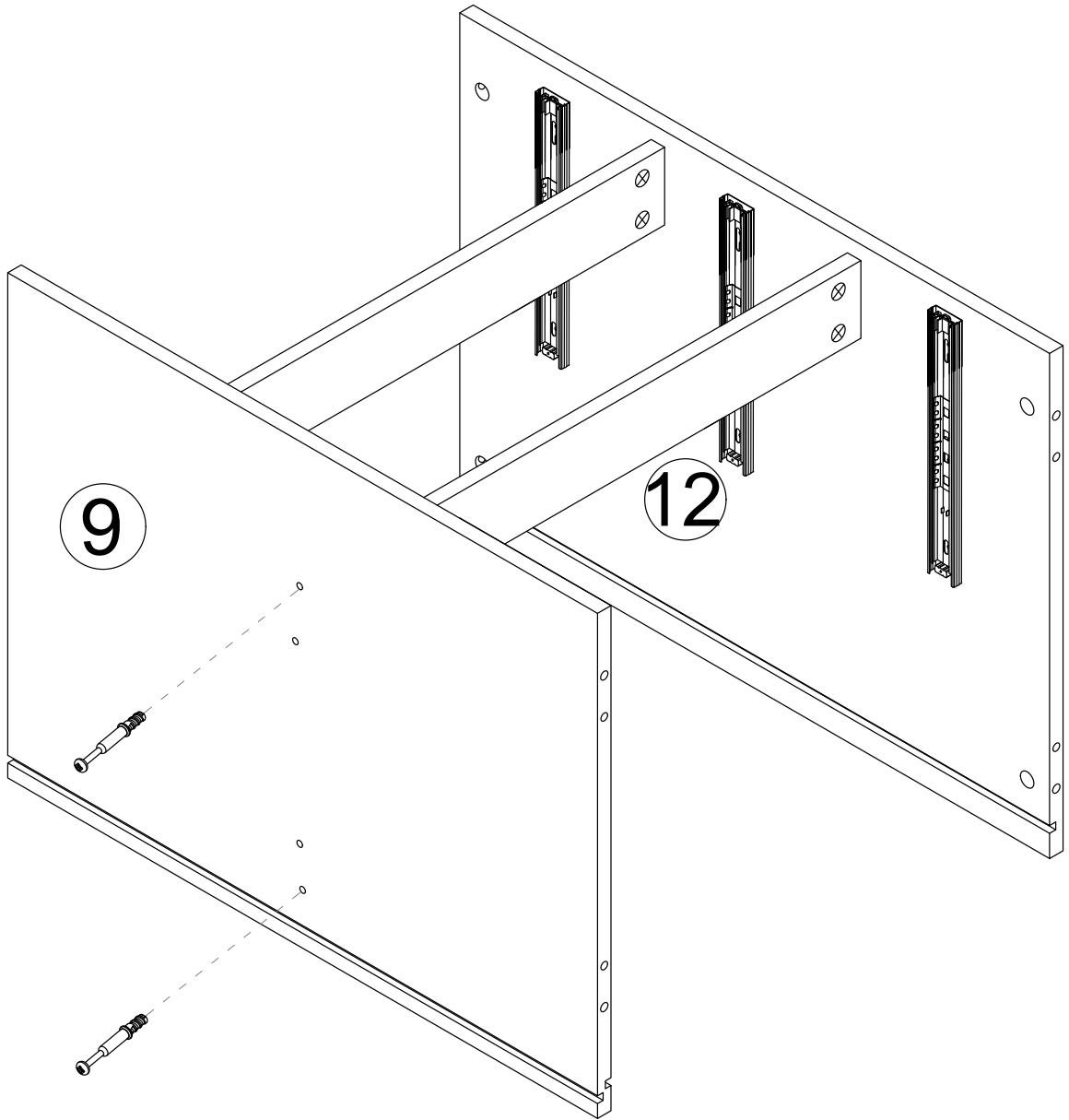
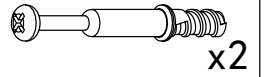


Step 23

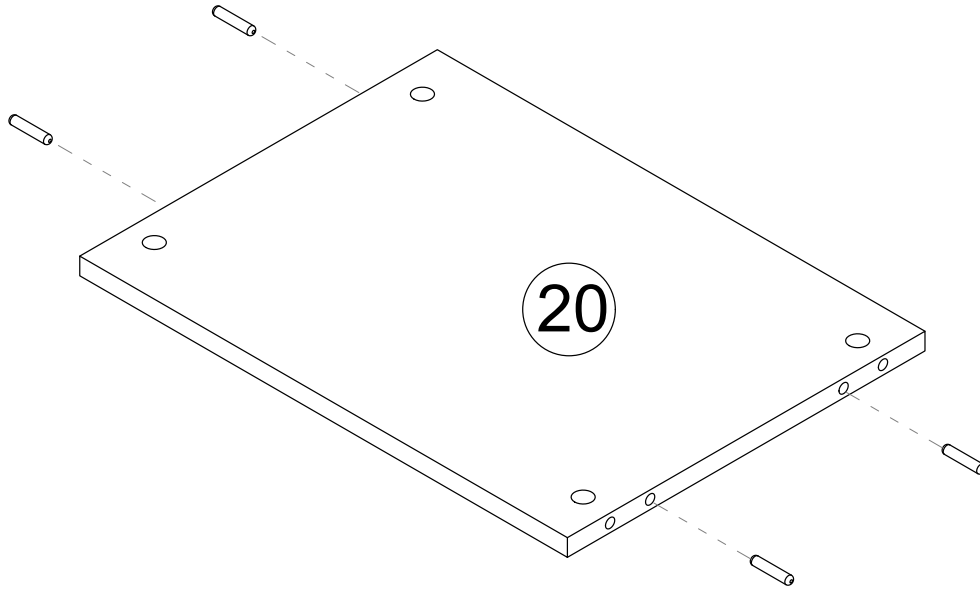
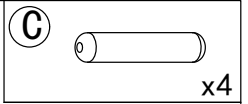


Step 24

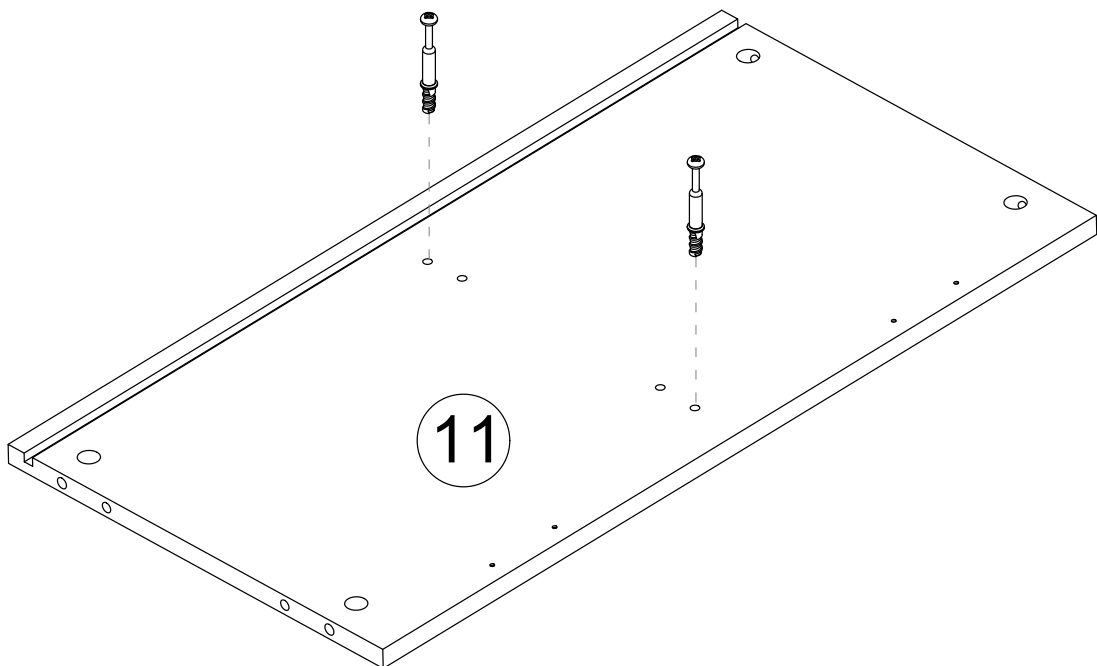
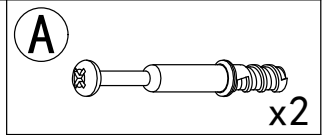
A



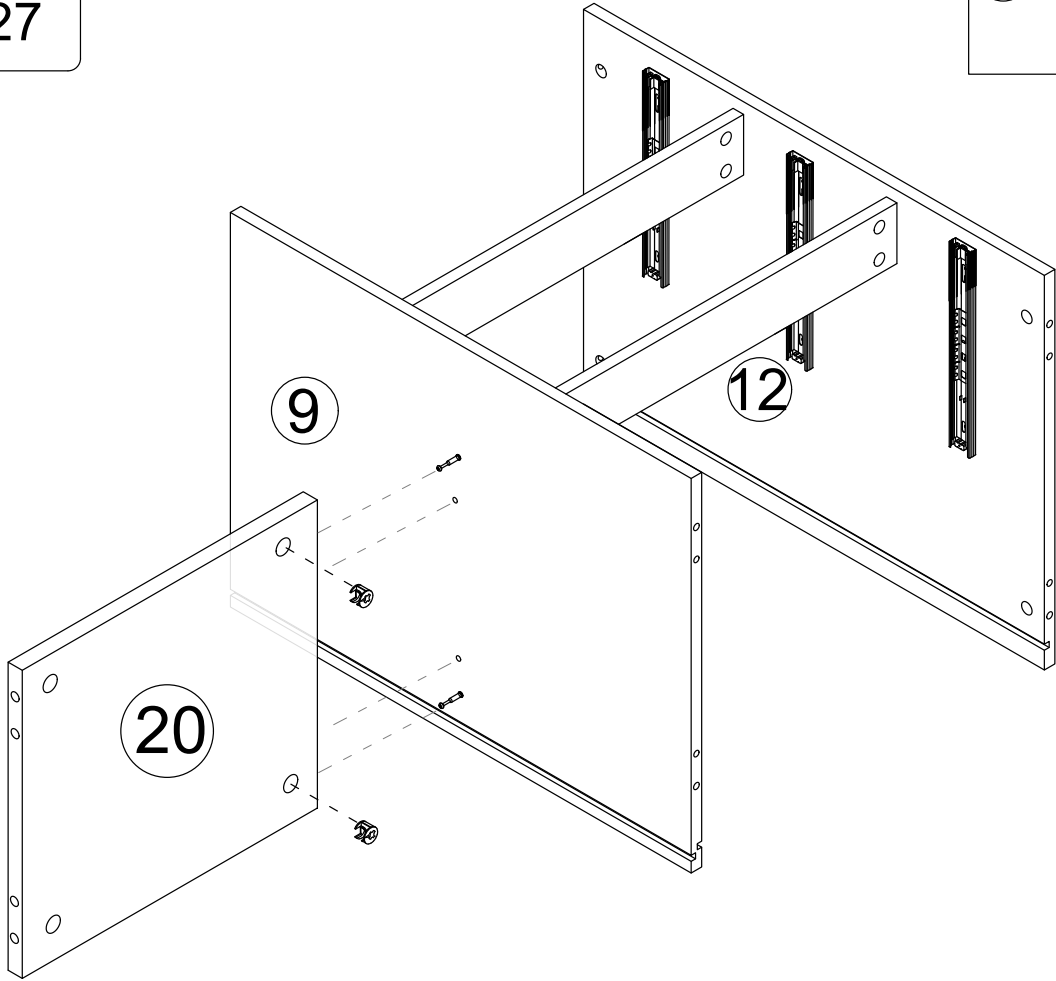
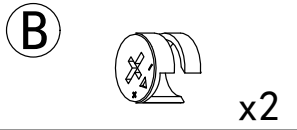
Step 25



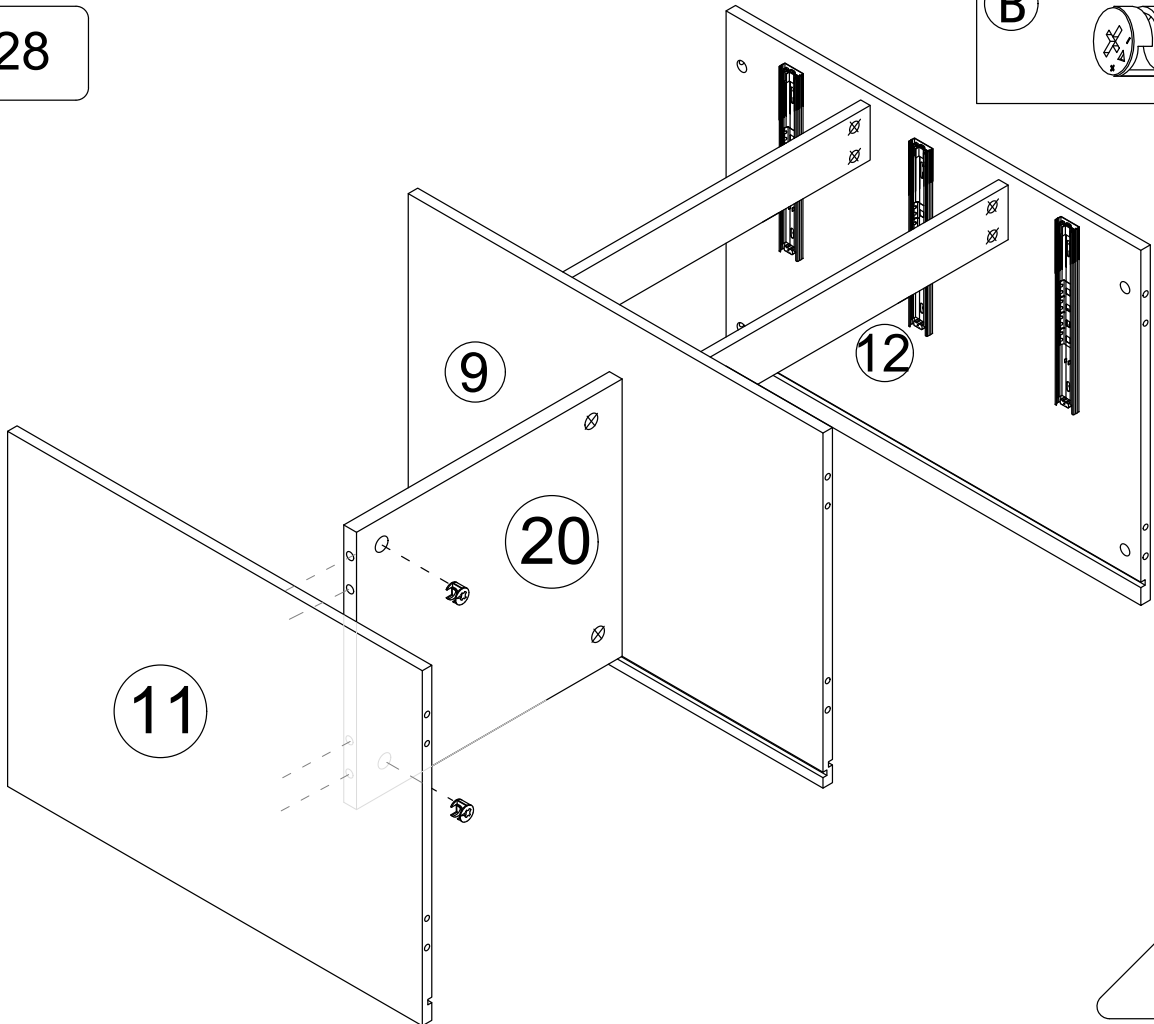
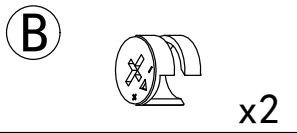
Step 26



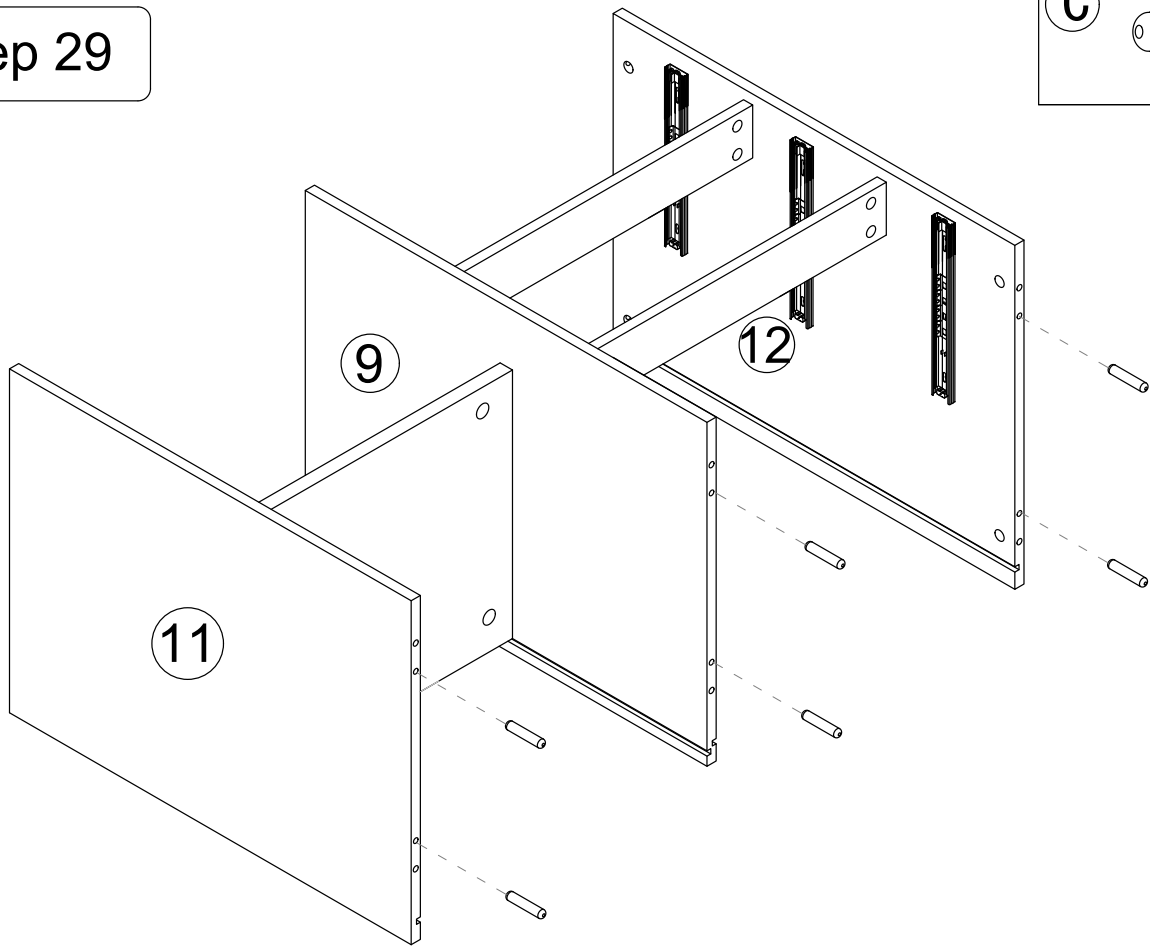
Step 27



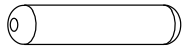
Step 28



Step 29

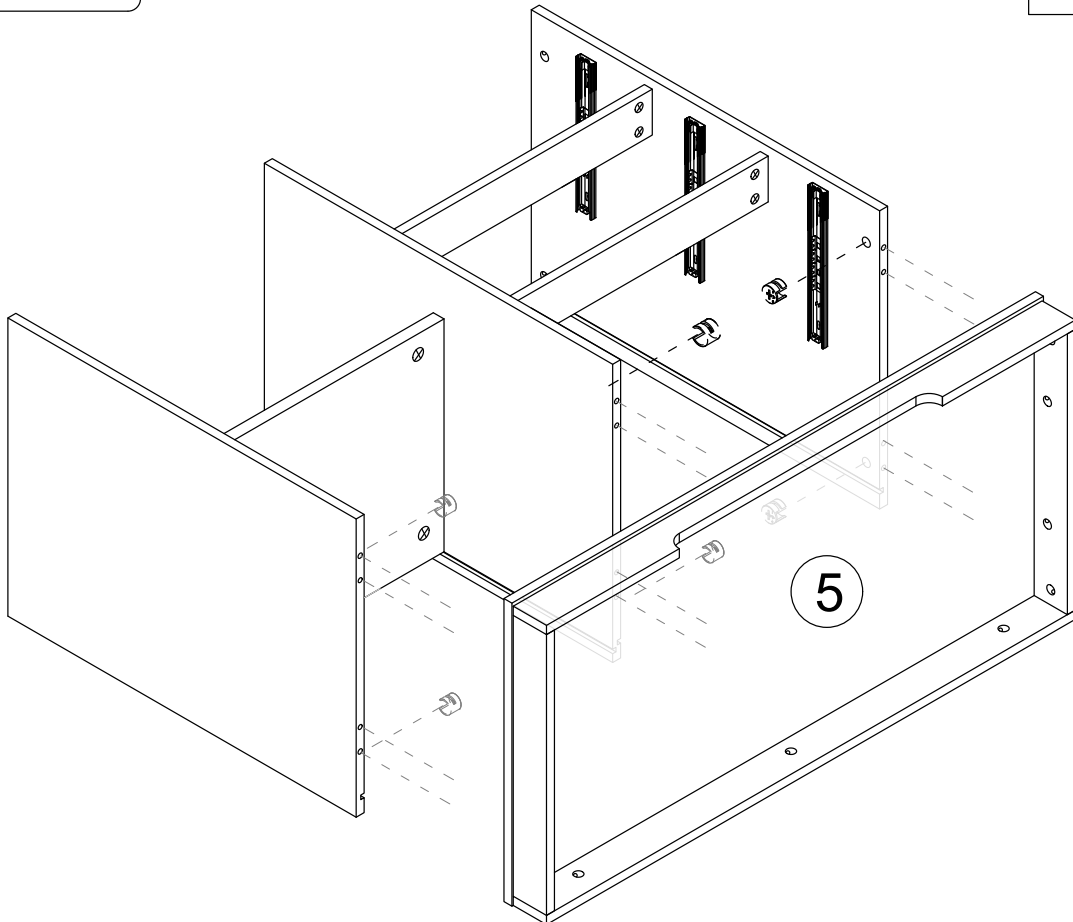


C



x6

Step 30



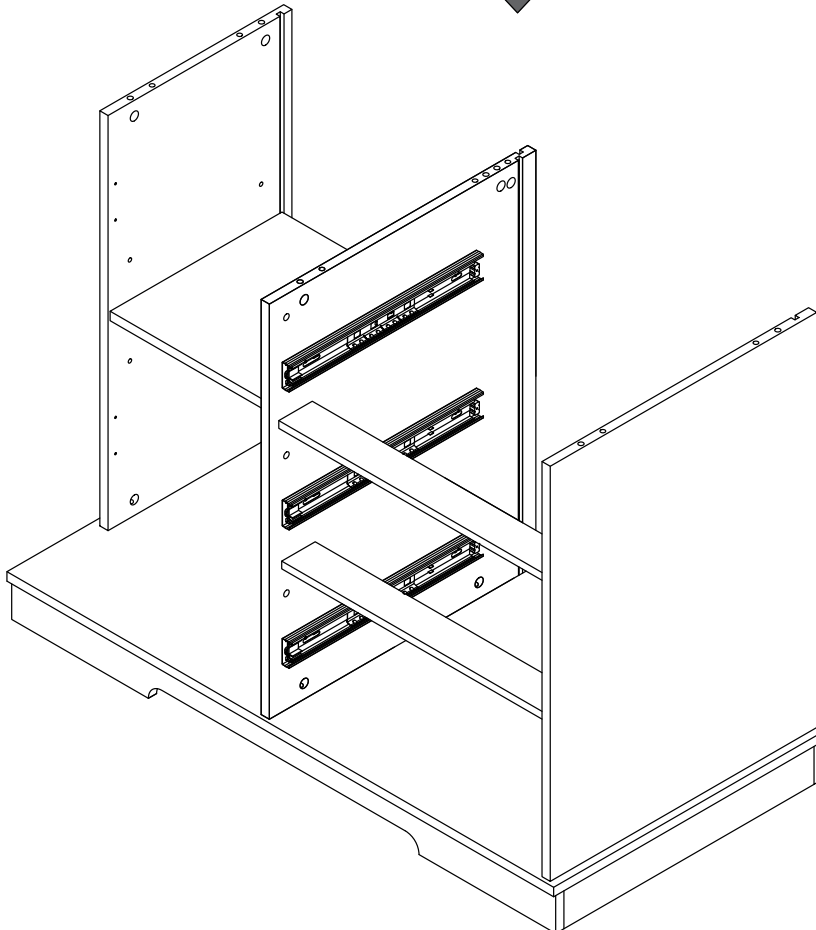
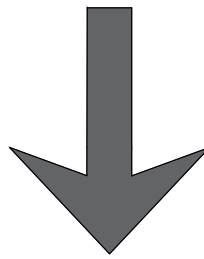
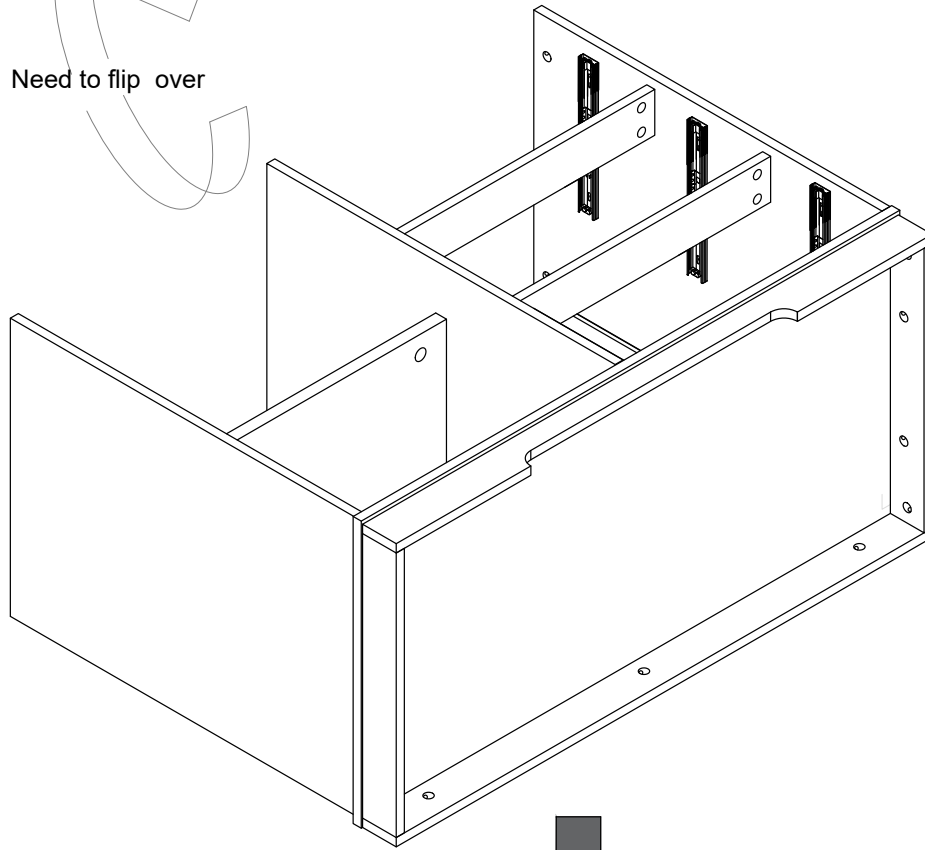
B



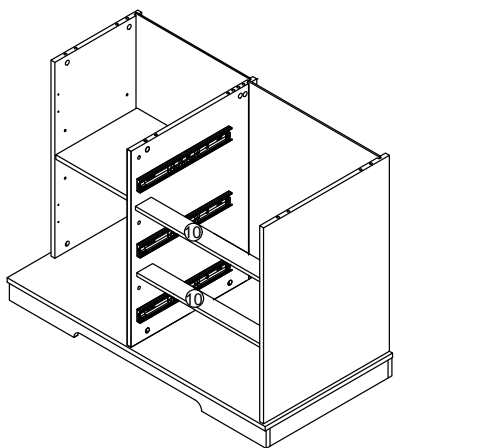
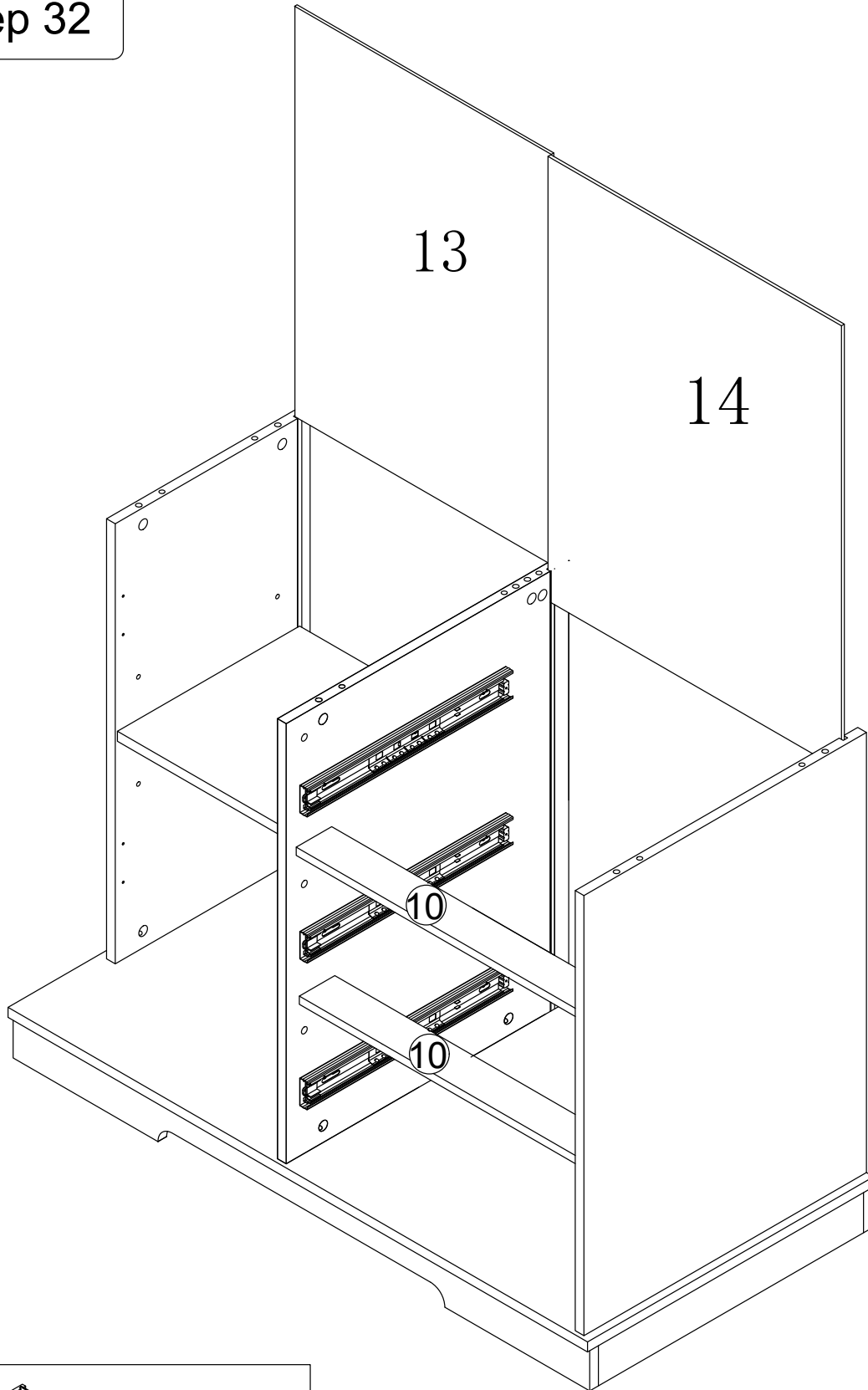
x6

Step 31

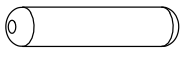
Need to flip over

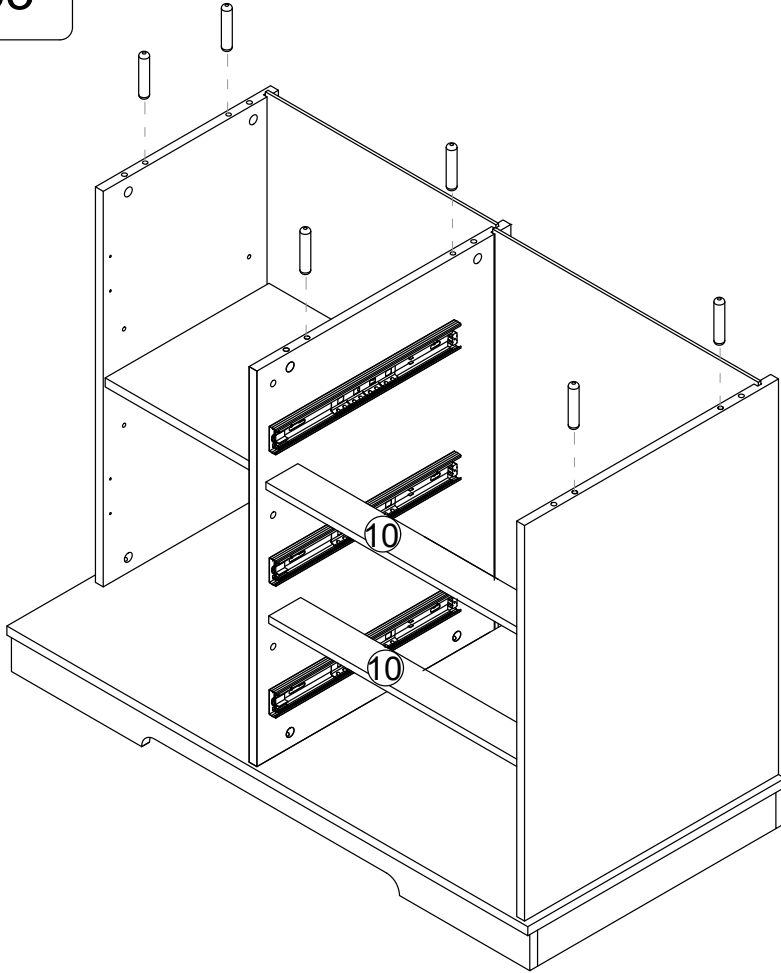


Step 32

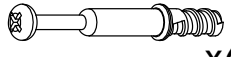


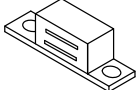
Step 33


C  x6

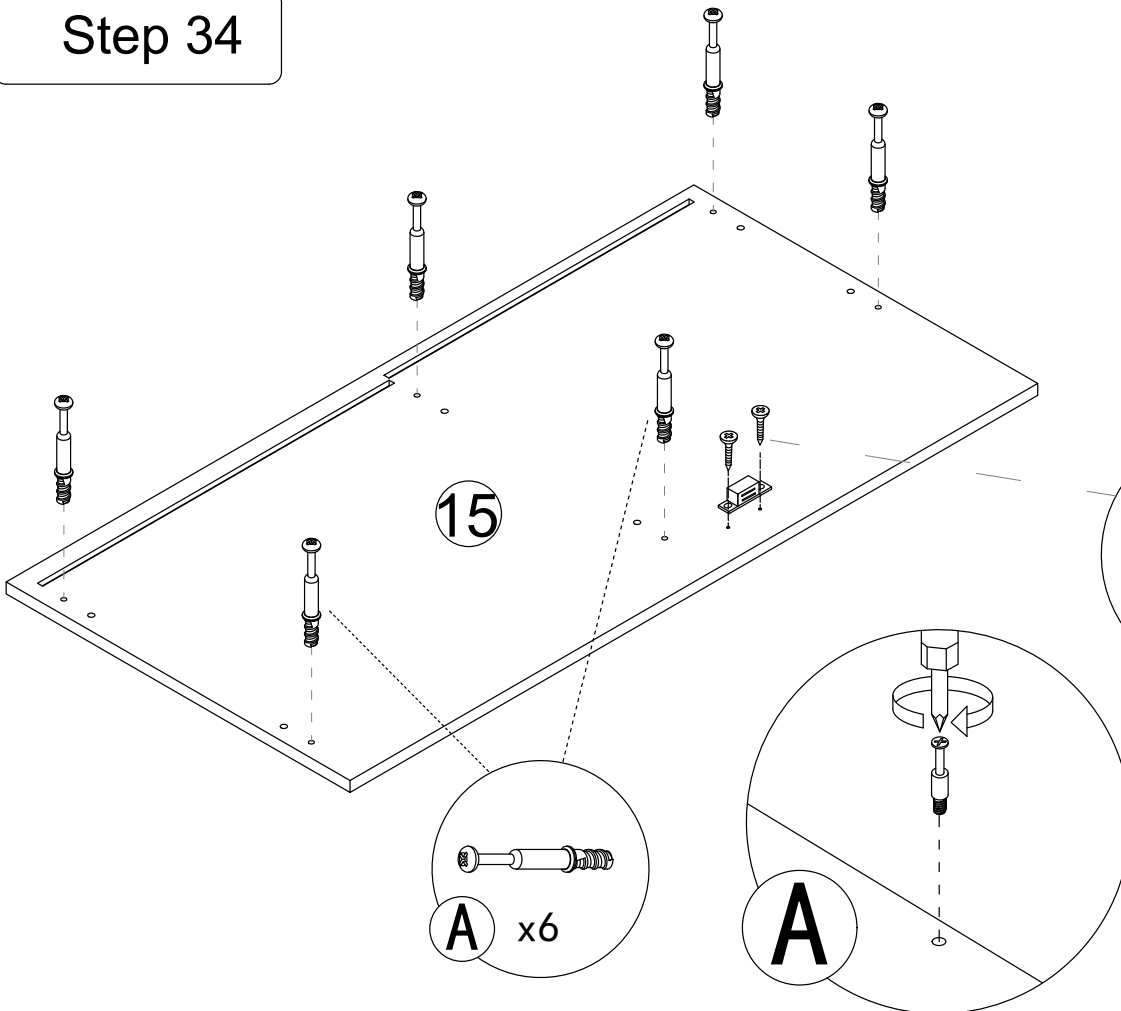


Step 34

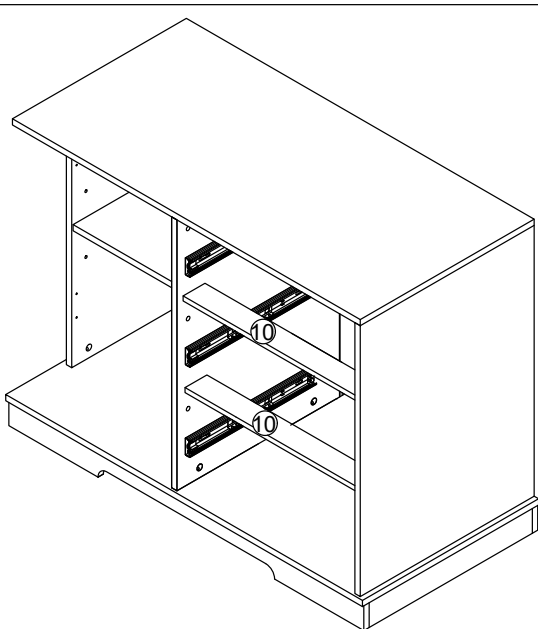
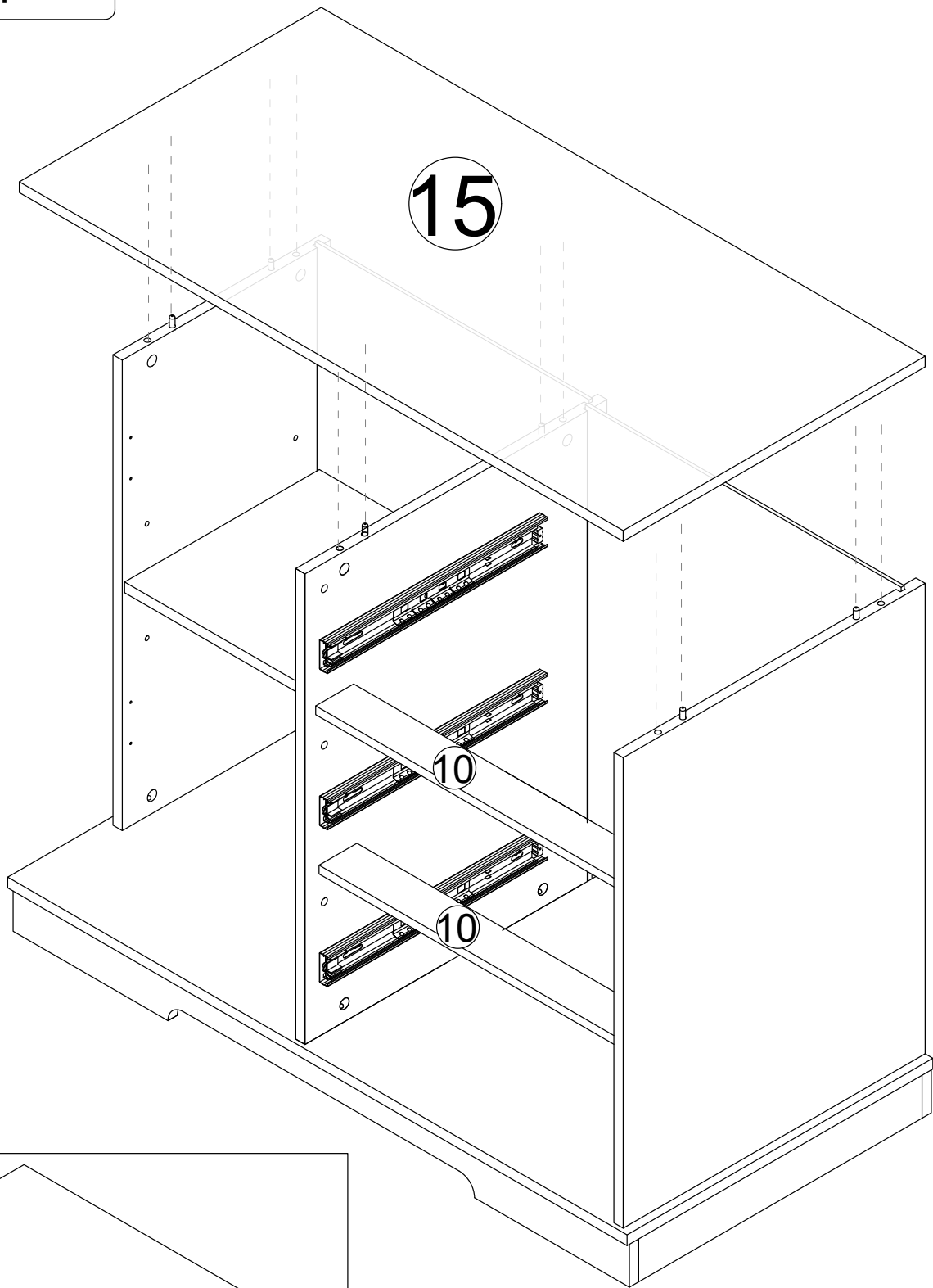
A  x6

G  x1

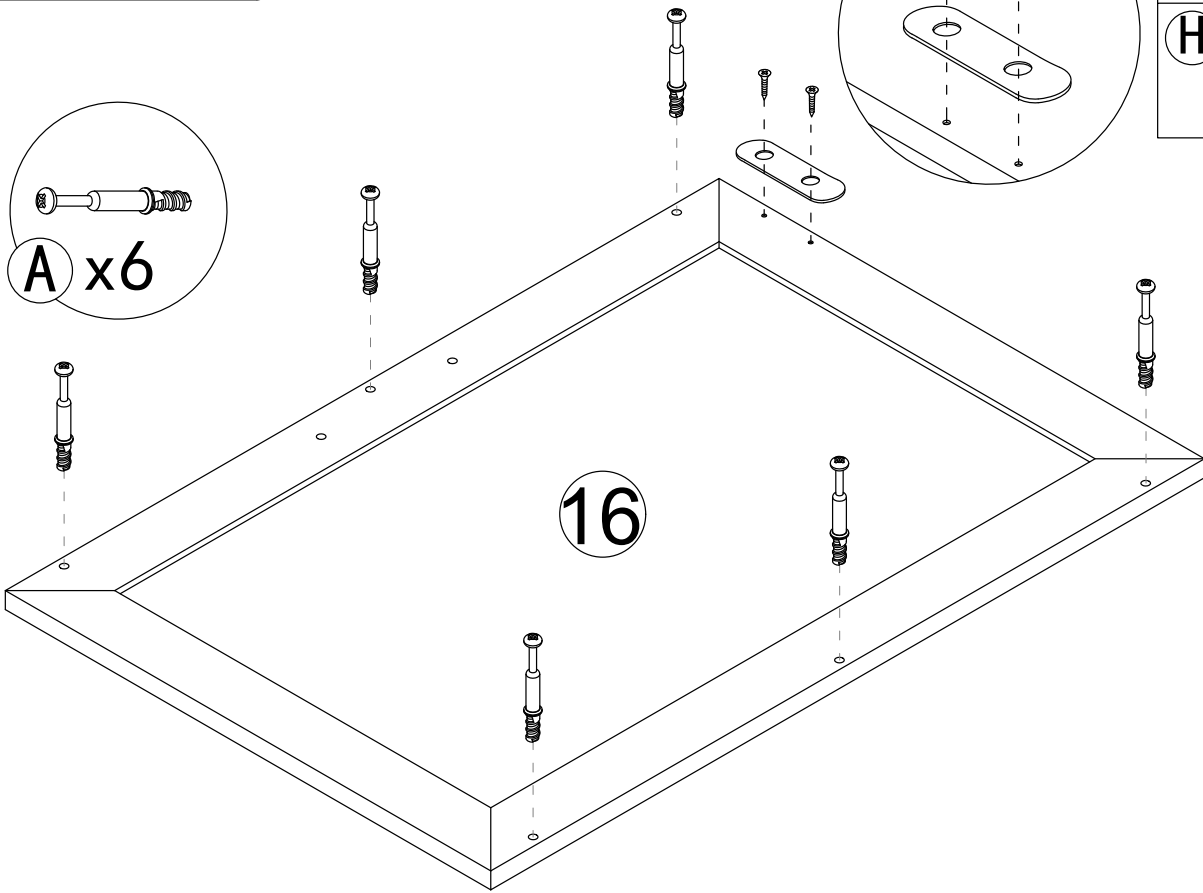
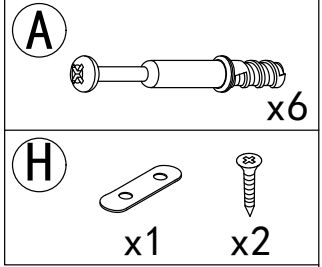
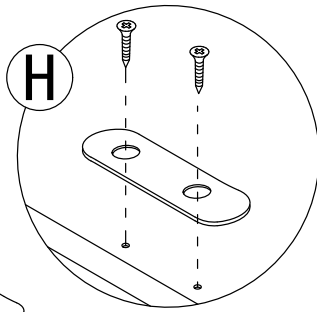
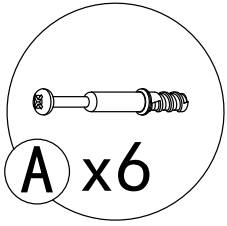
 x2



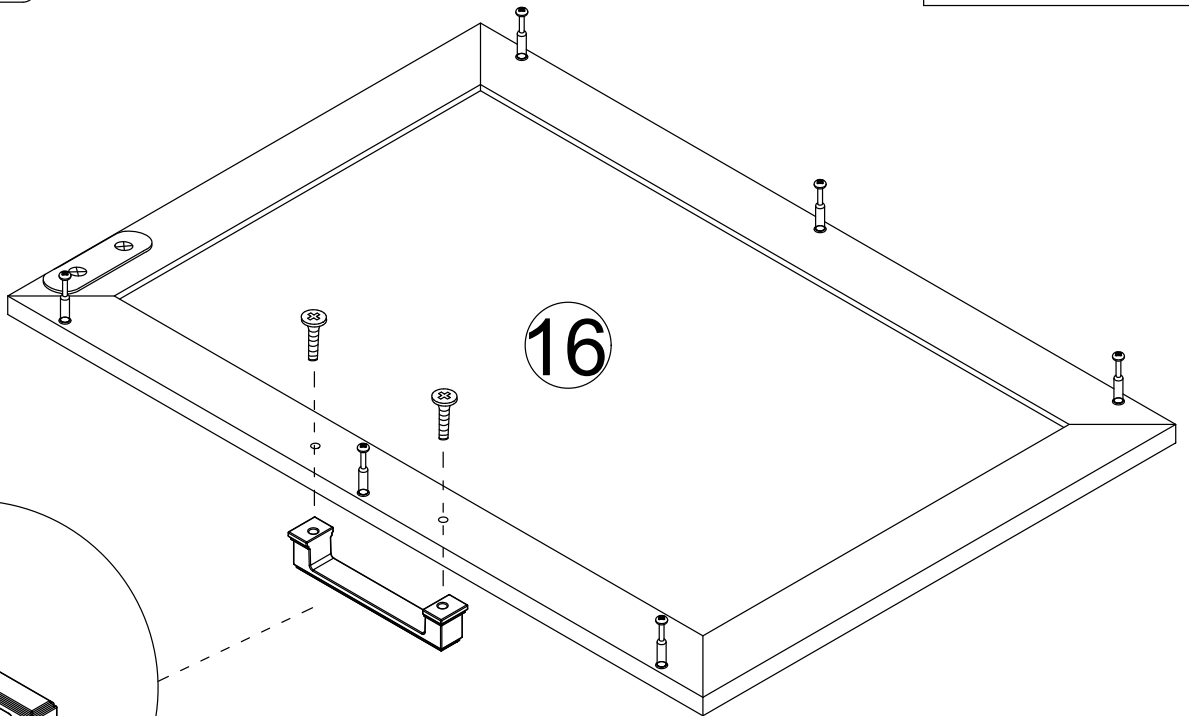
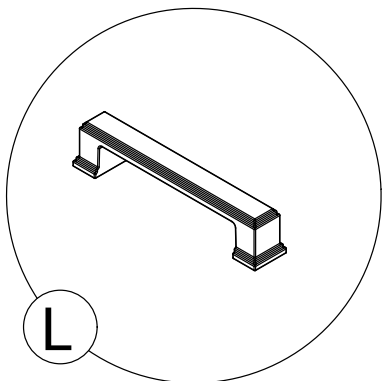
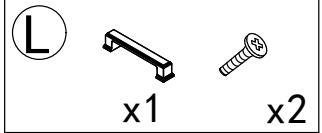
Step 35



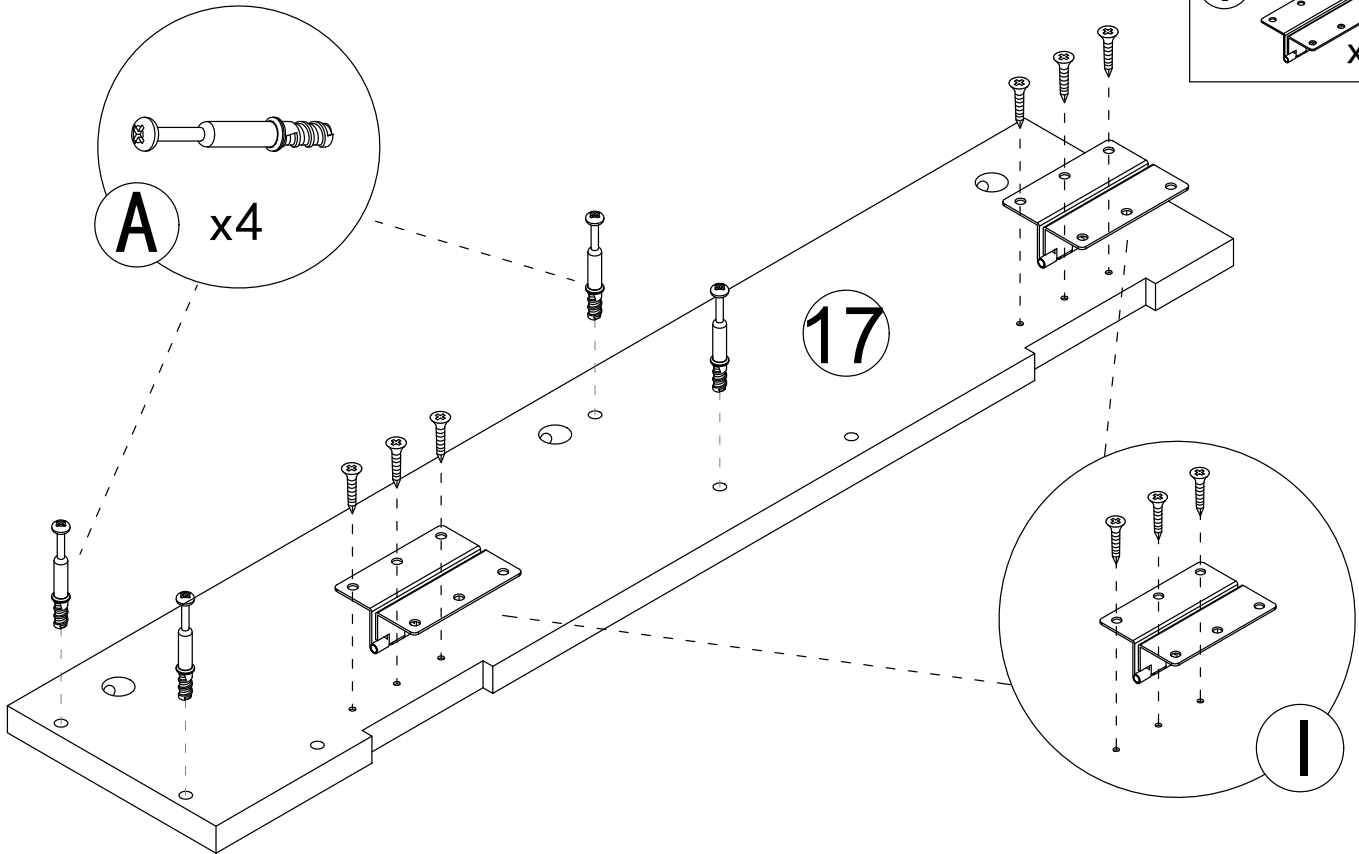
Step 36

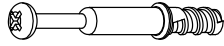
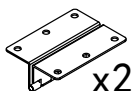



Step 37

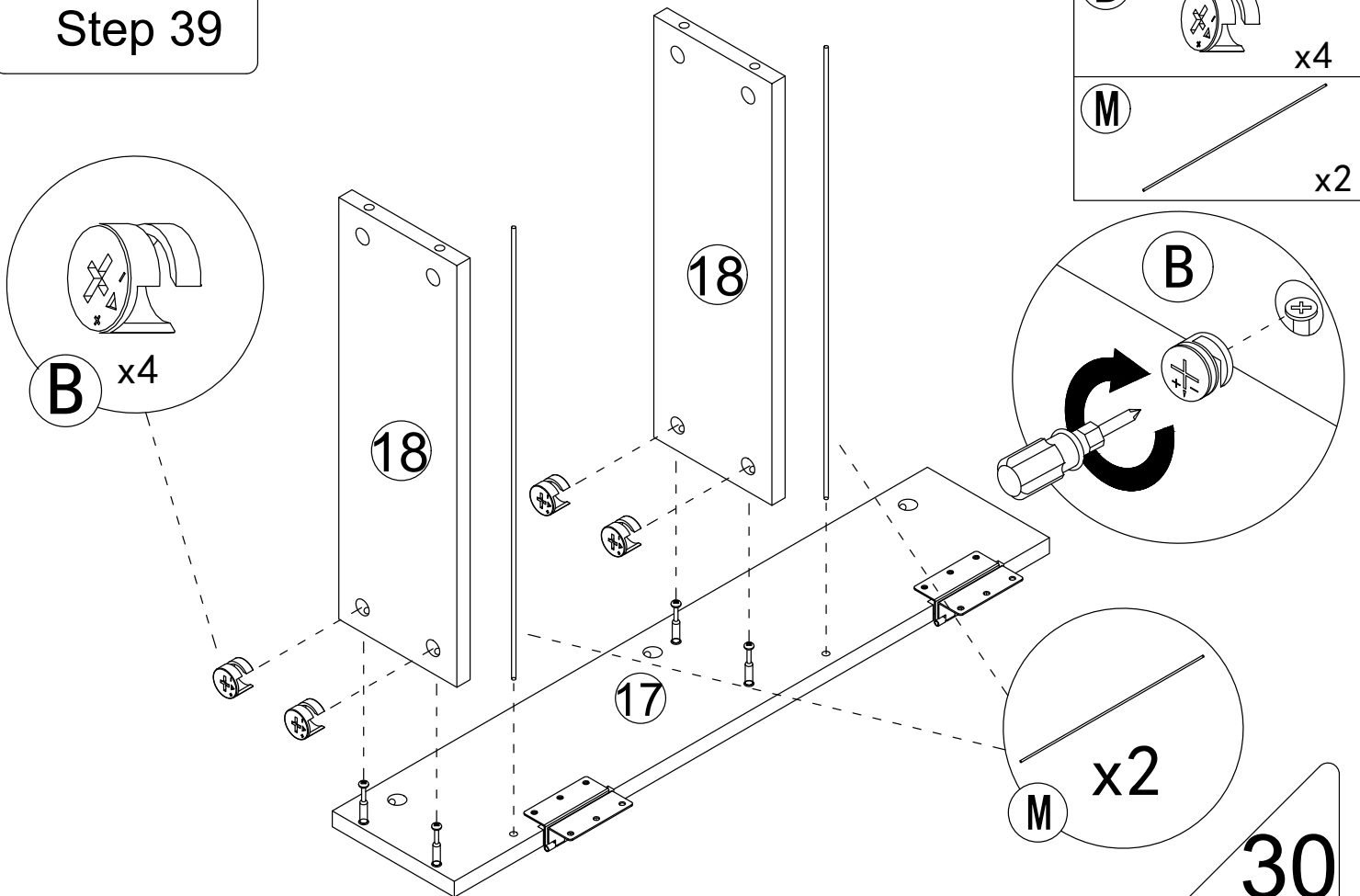



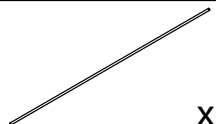
Step 38



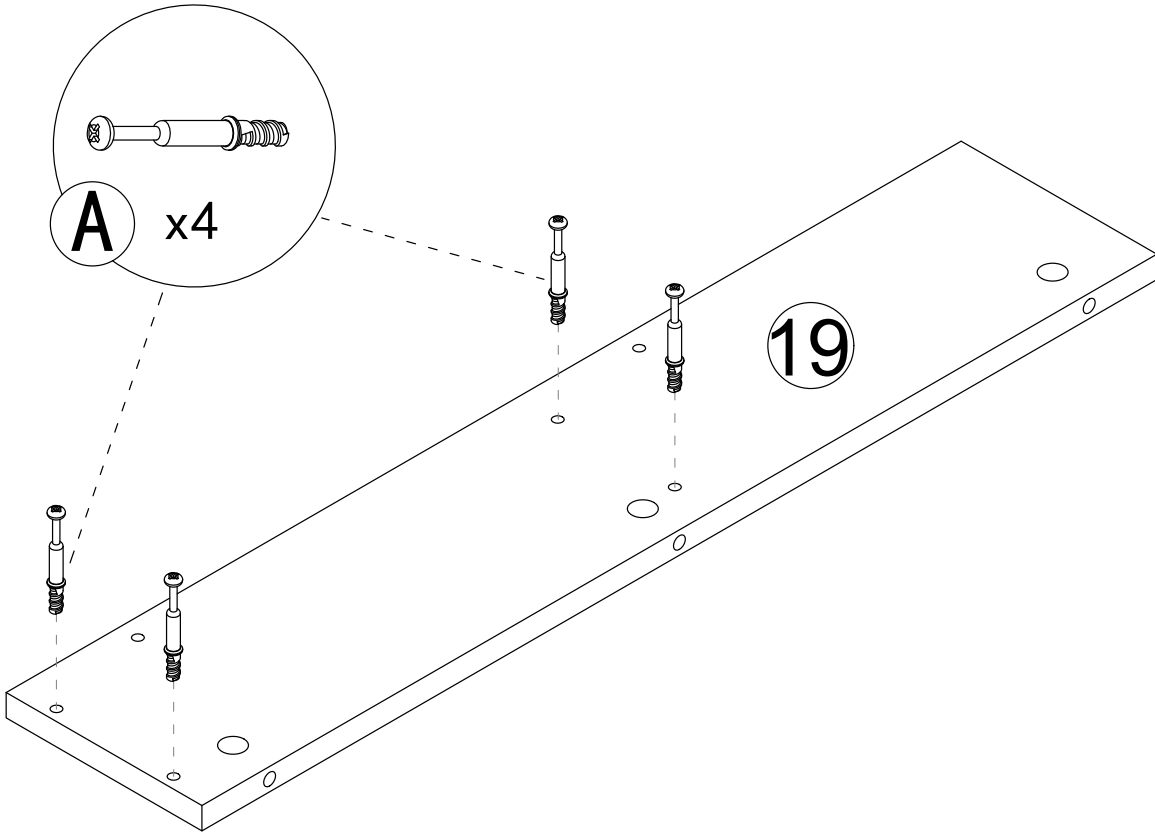
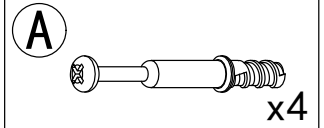
- A**  x4
- I**  x2  x6

Step 39

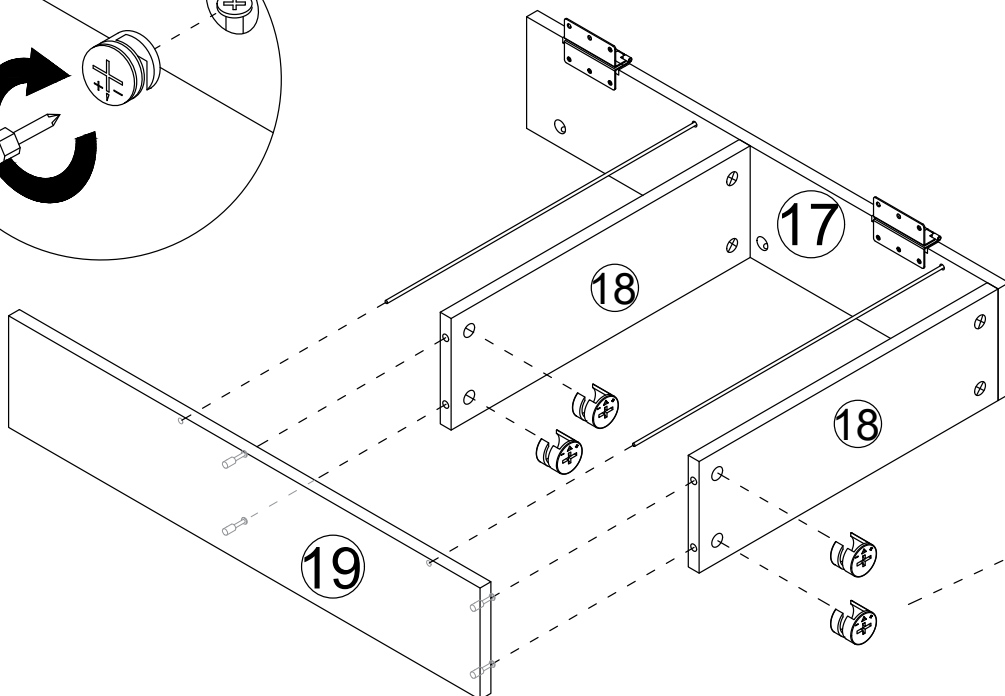
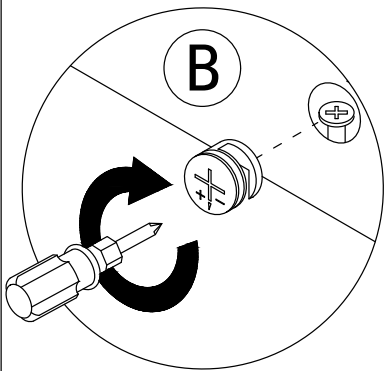
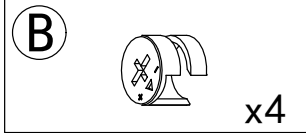


- B**  x4
- M**  x2

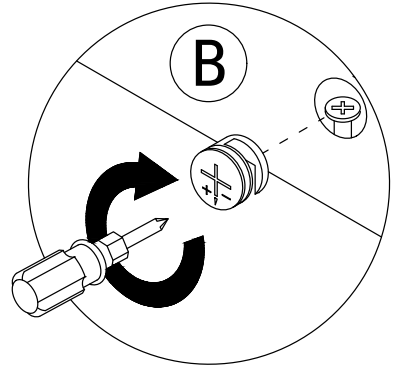
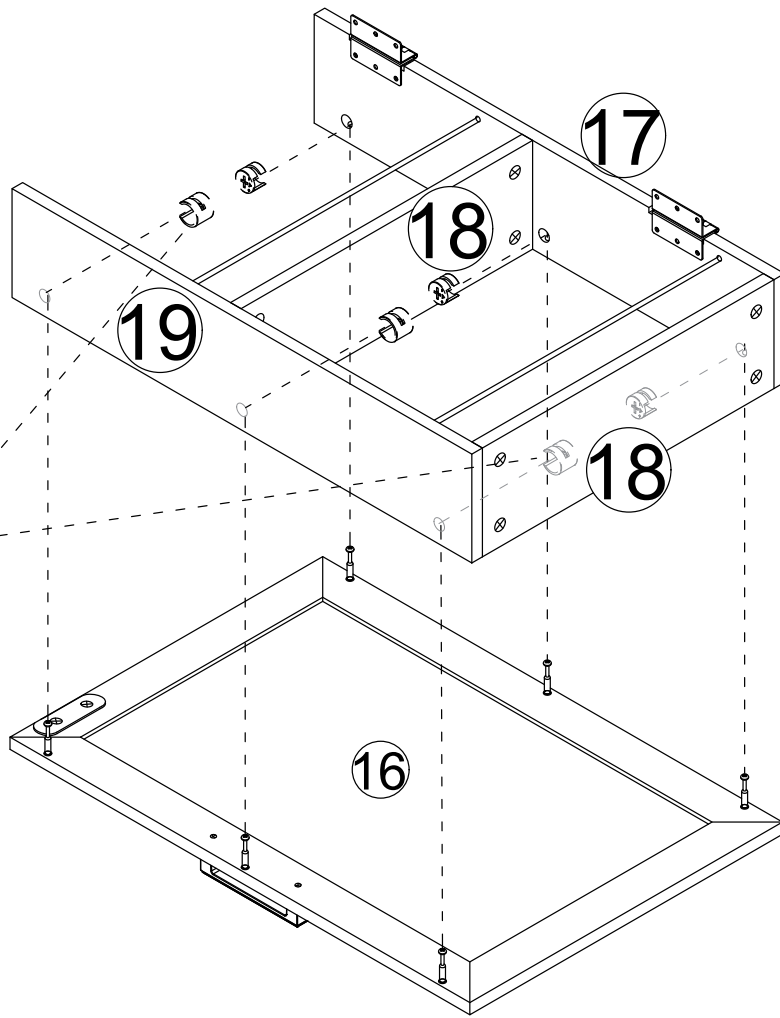
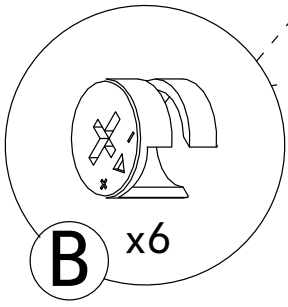
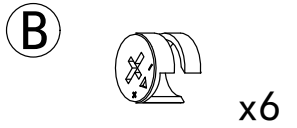
Step 40



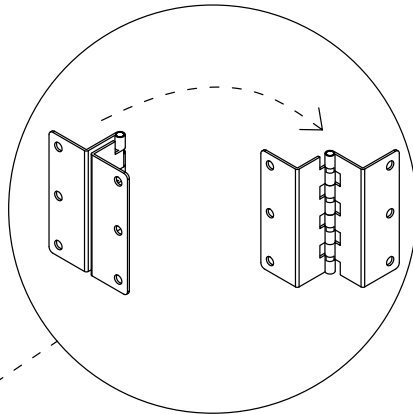
Step 41



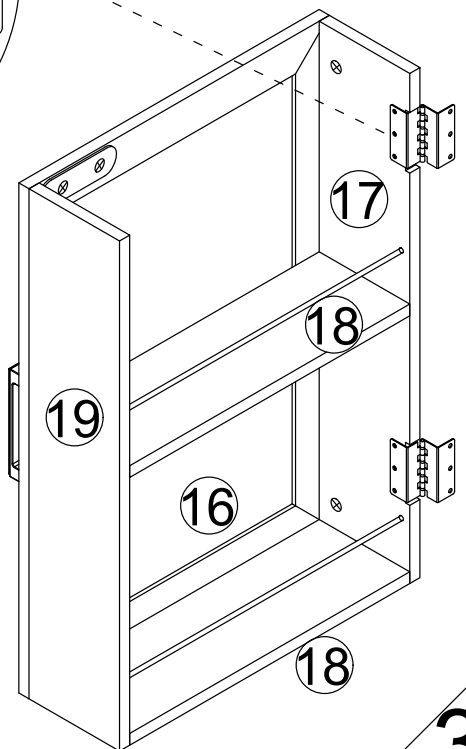
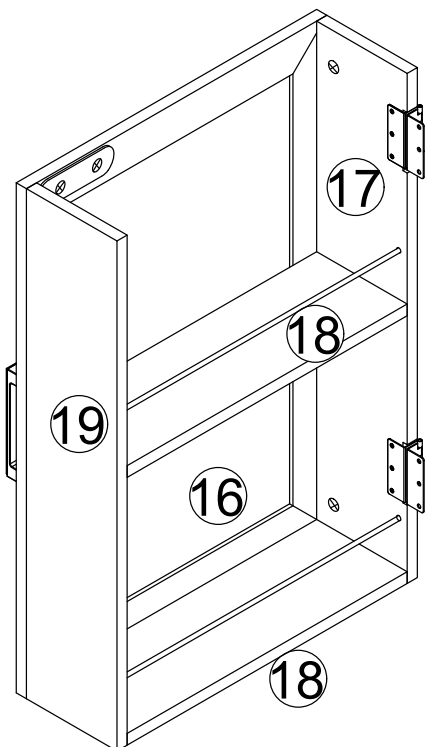
Step 42



Step 43



Flip the hinge 90 degrees

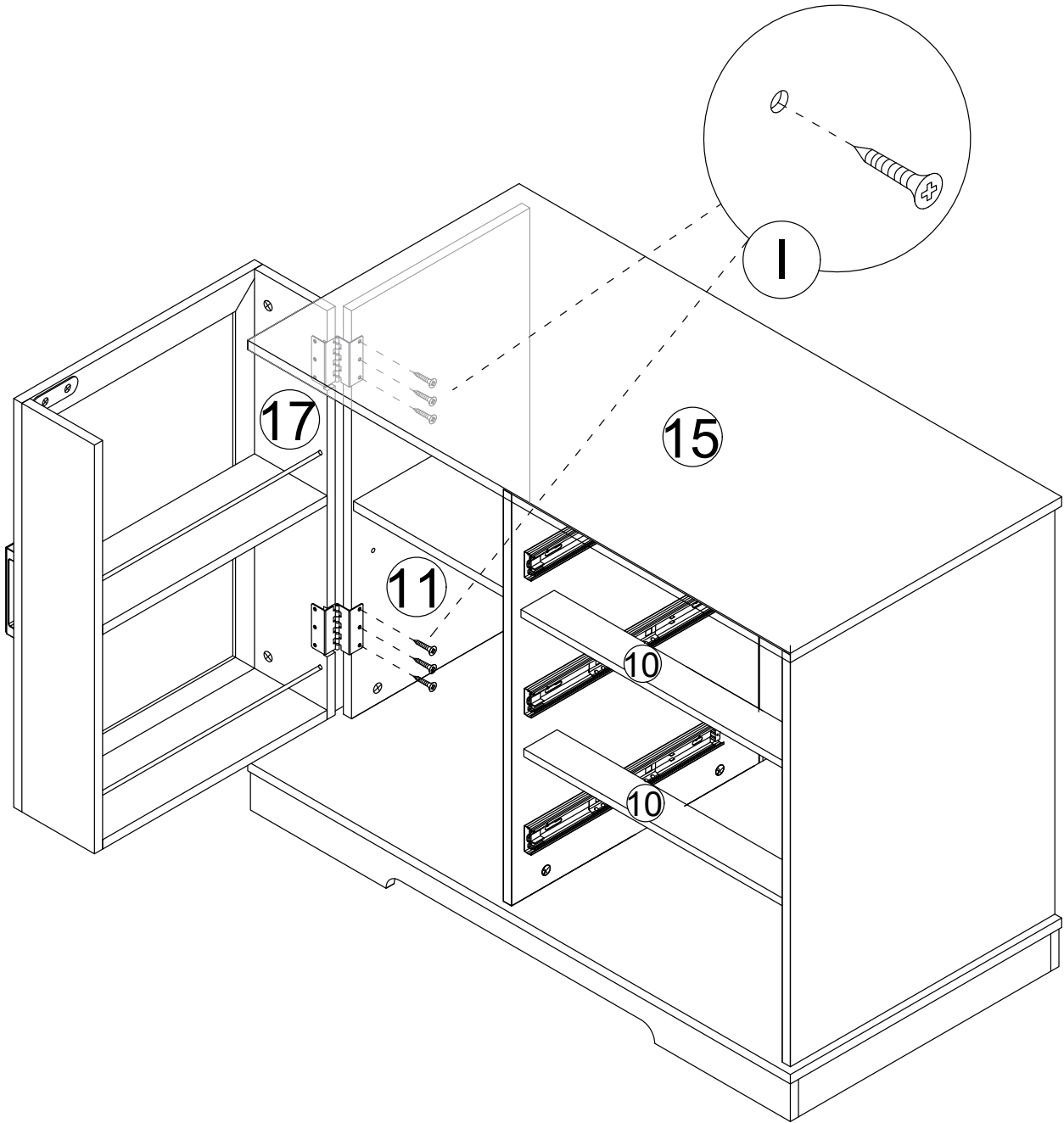


Step 44

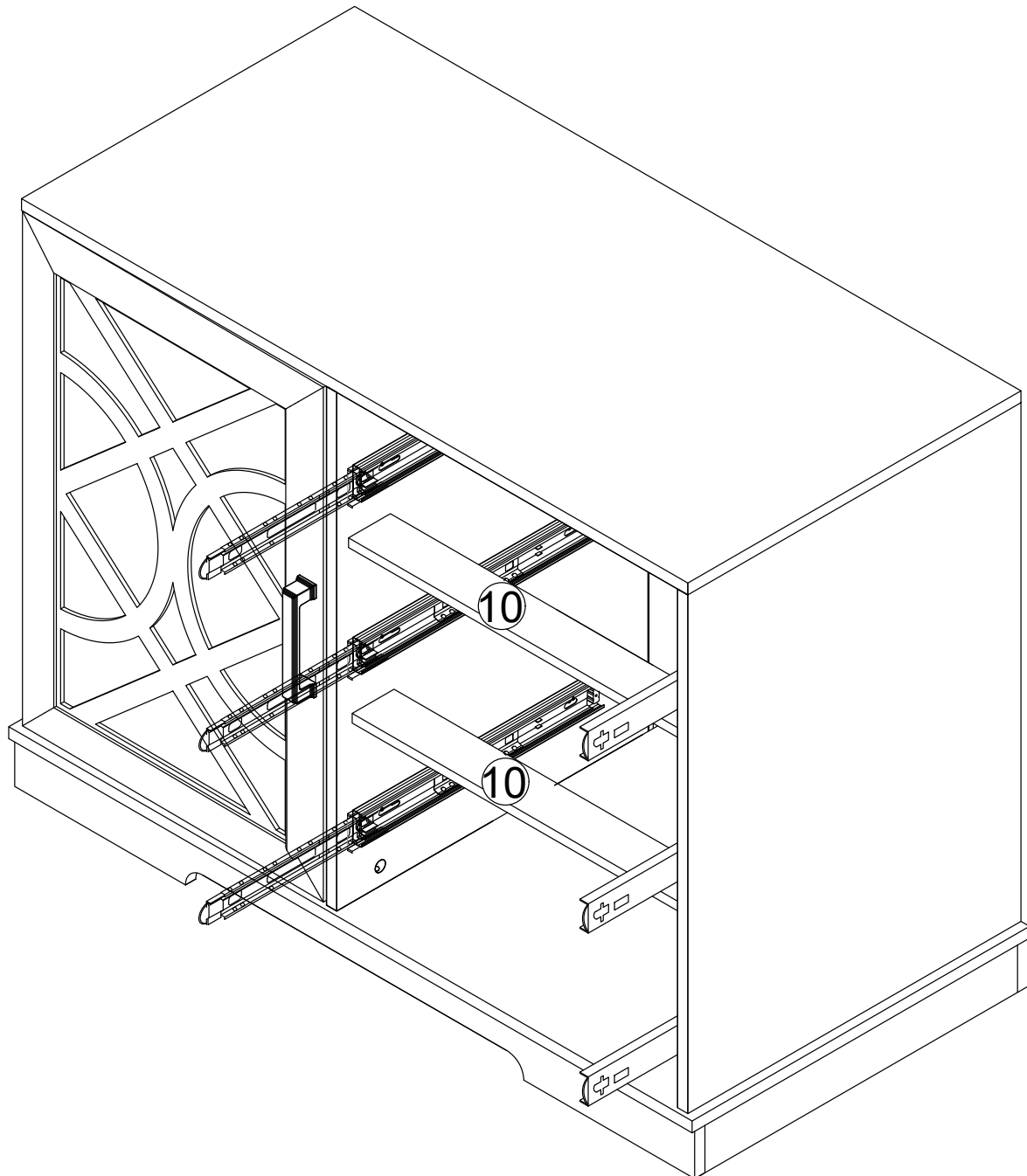
I



x6

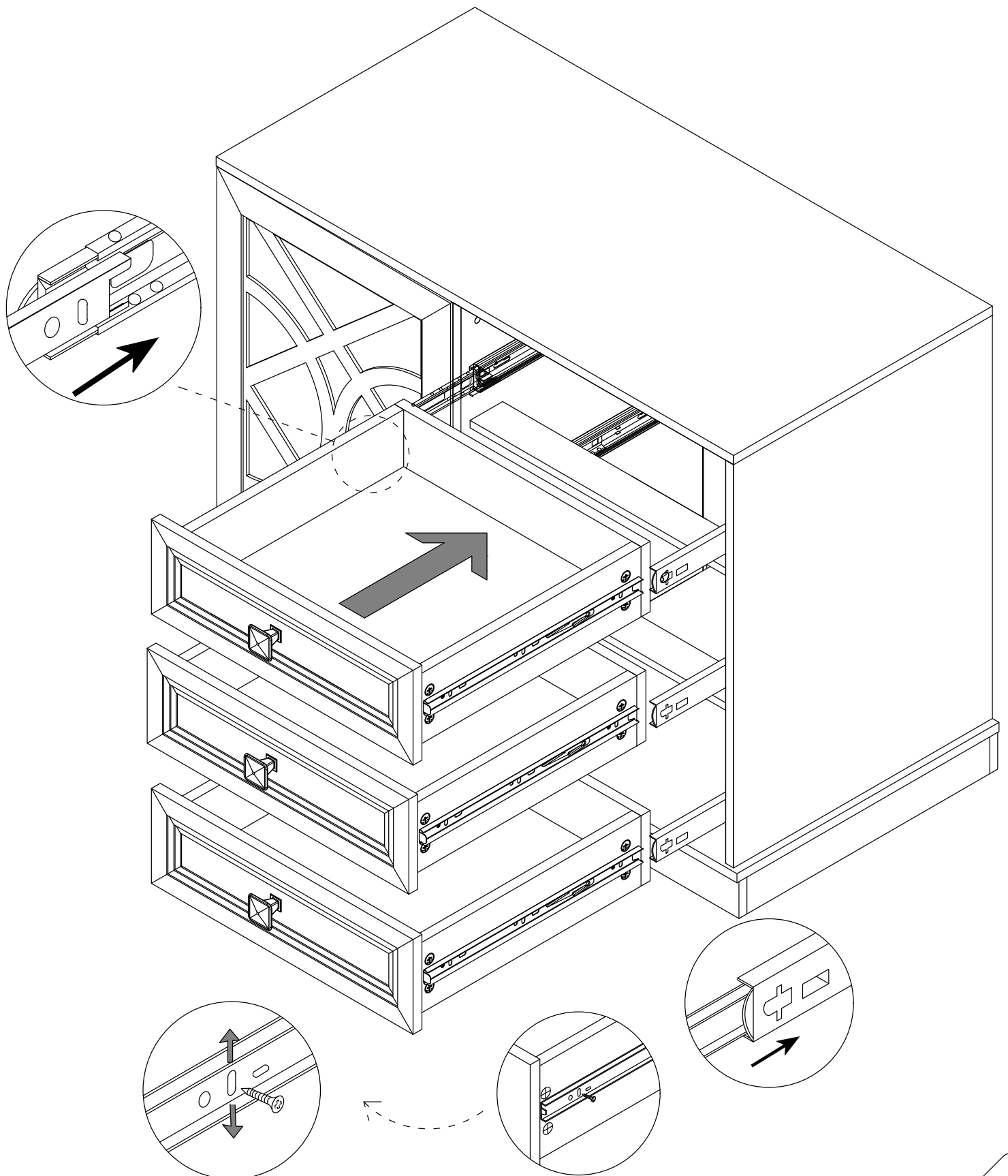


Step 45



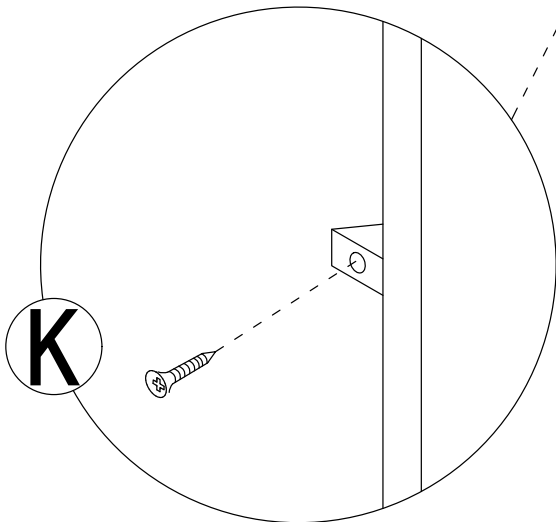
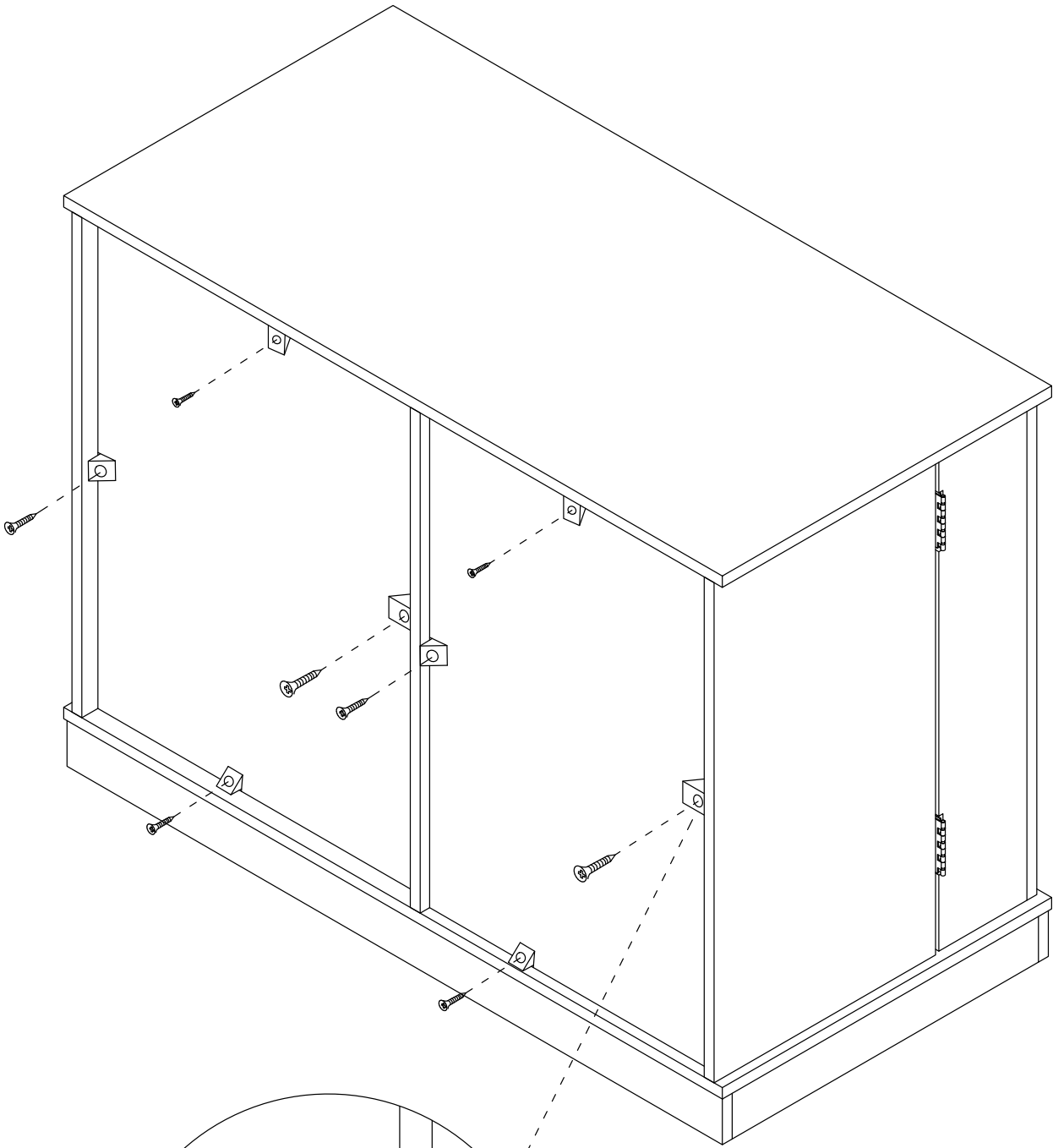
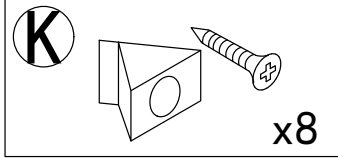
As shown, When installing the drawer, pull the guide rail out first, Slide beads are also pulled out.

Step 46

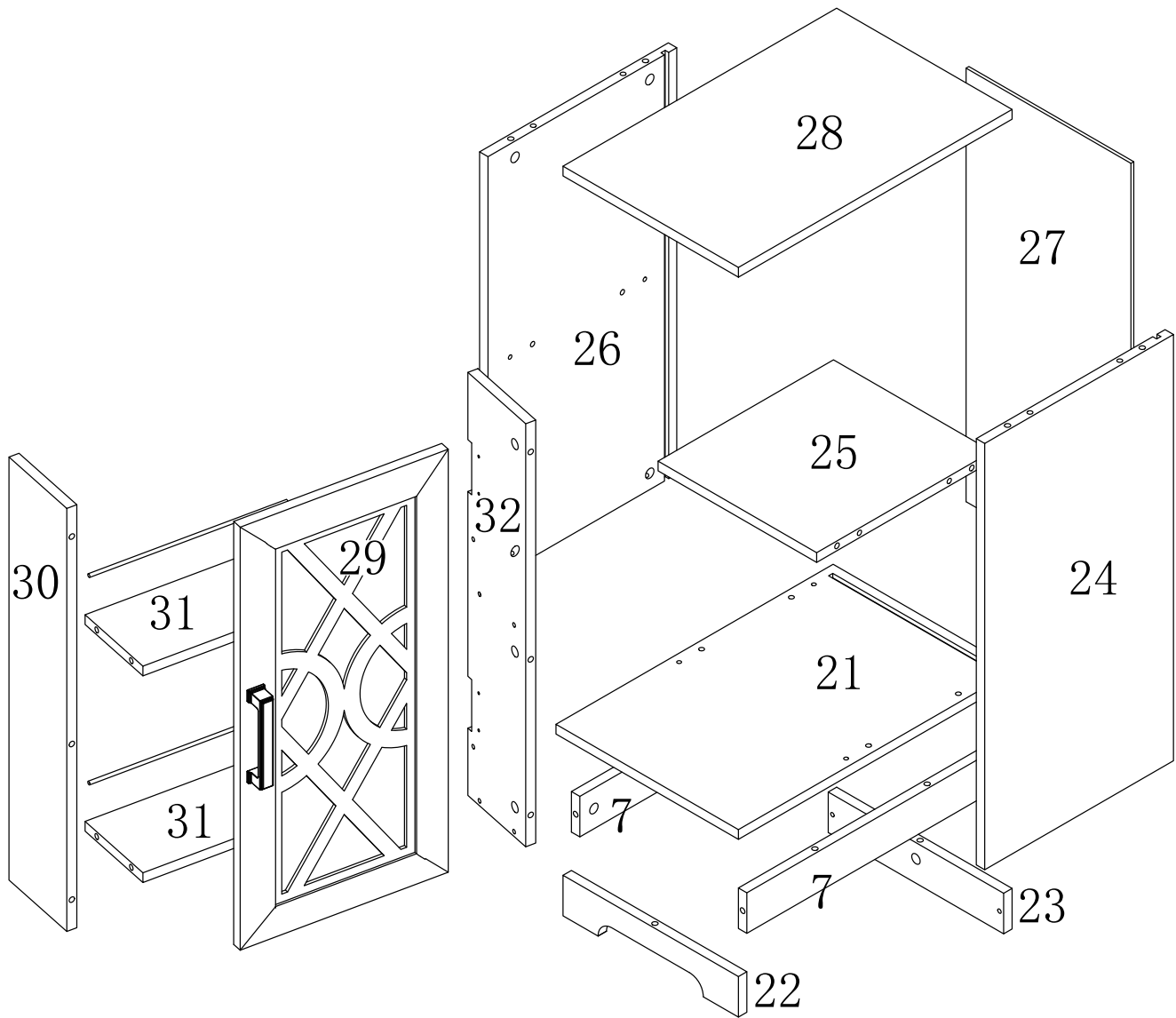


If a large gap is found after installing the drawer the slide rail can be moved up and down to adjust the gap

Step 47

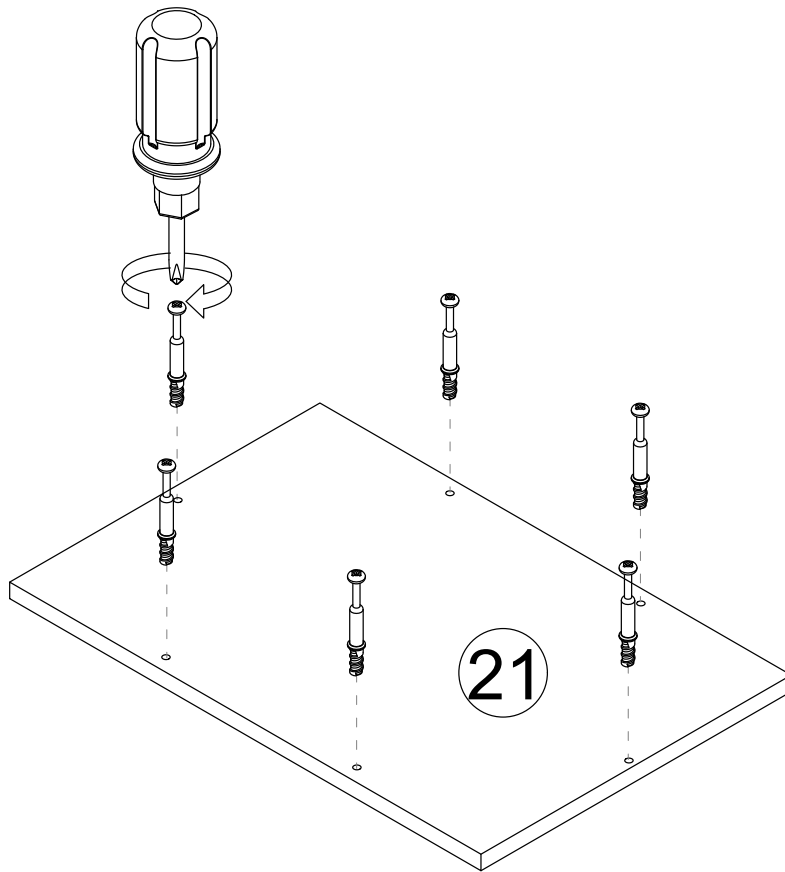
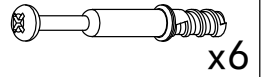


Step 48



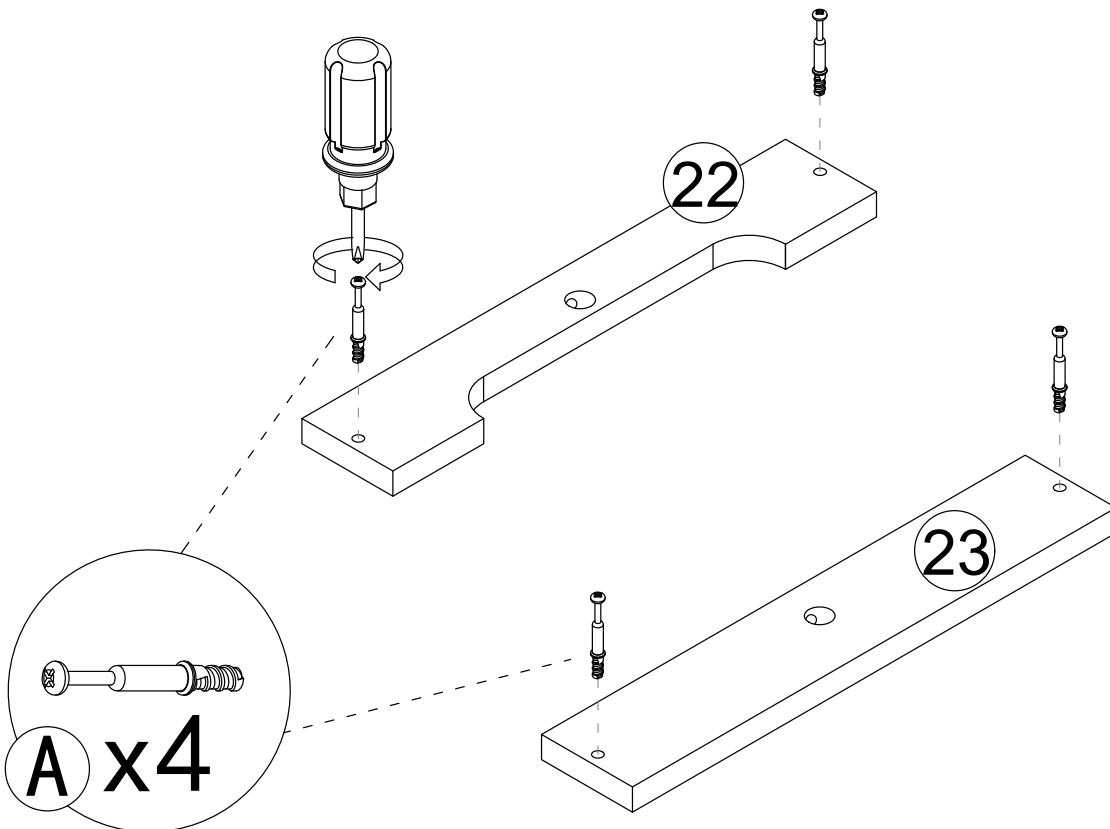
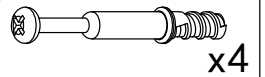
Step 49

A

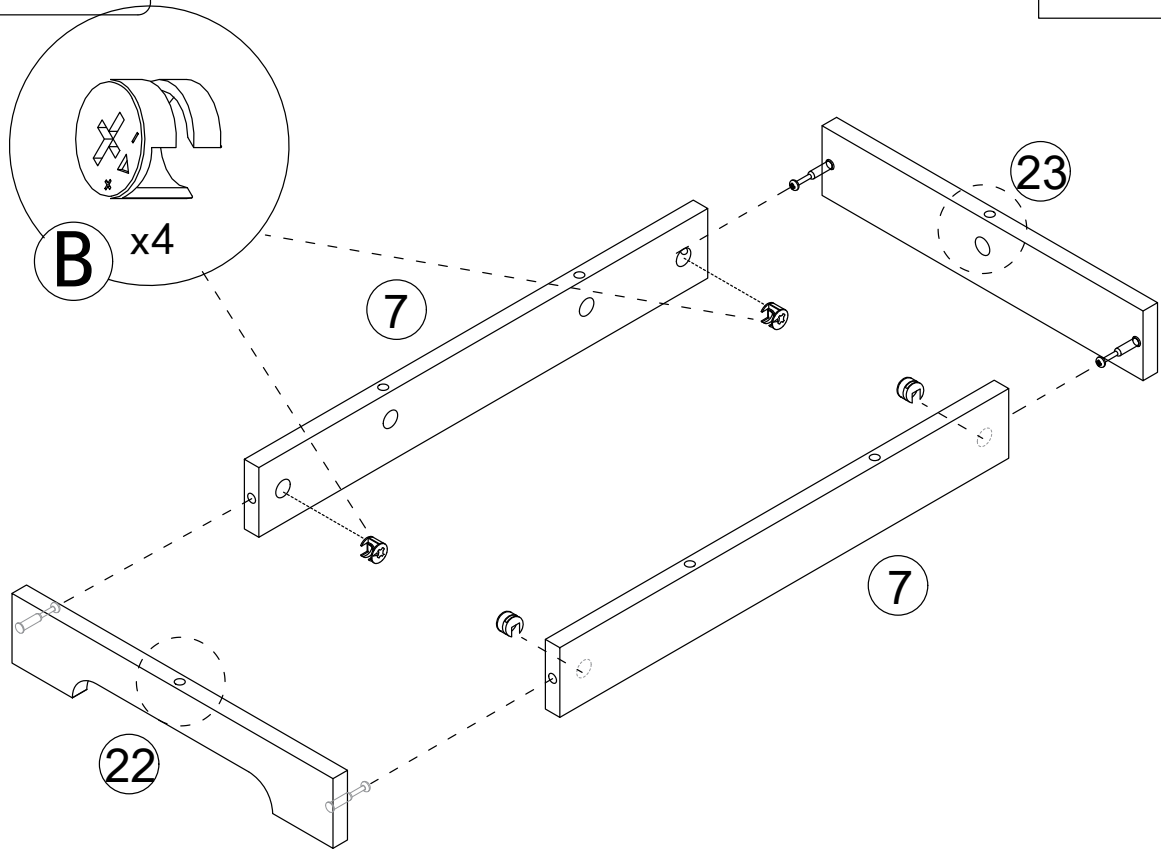
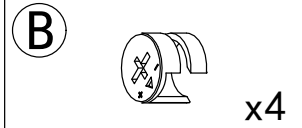


Step 50

A

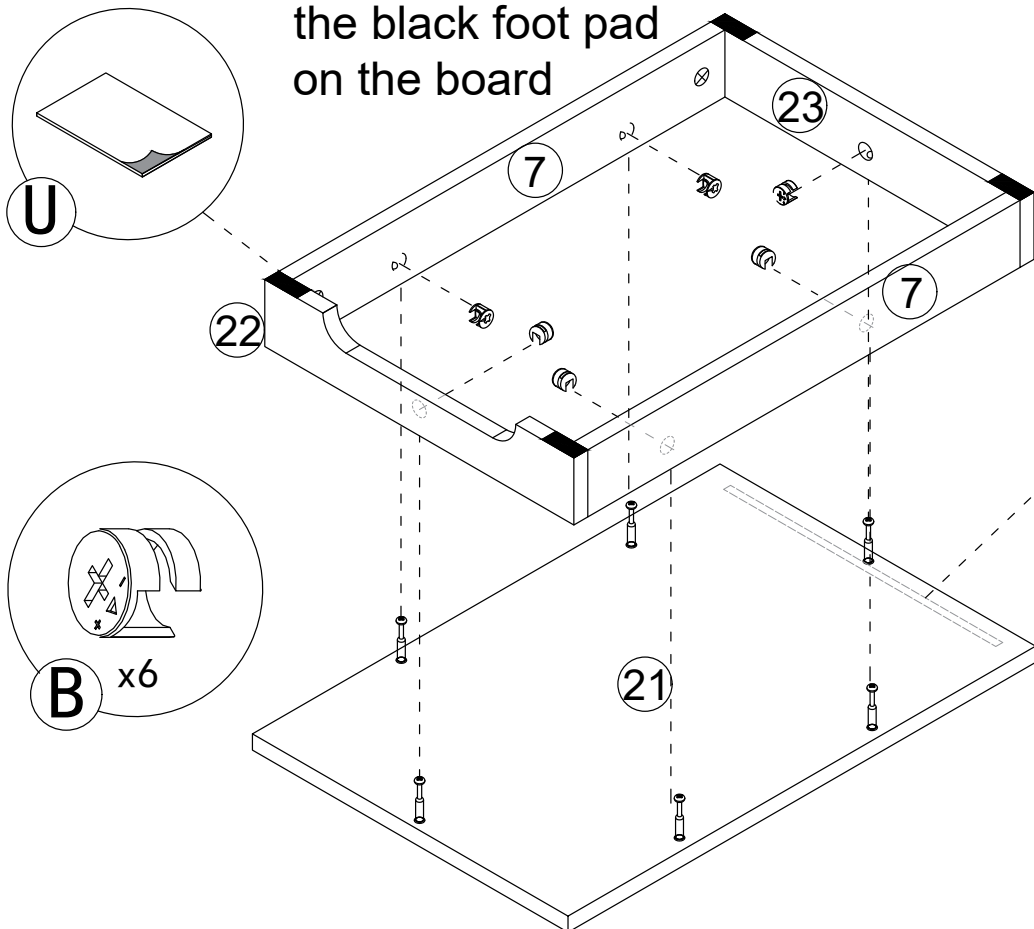
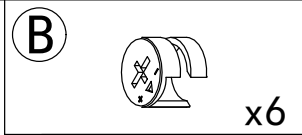


Step 51



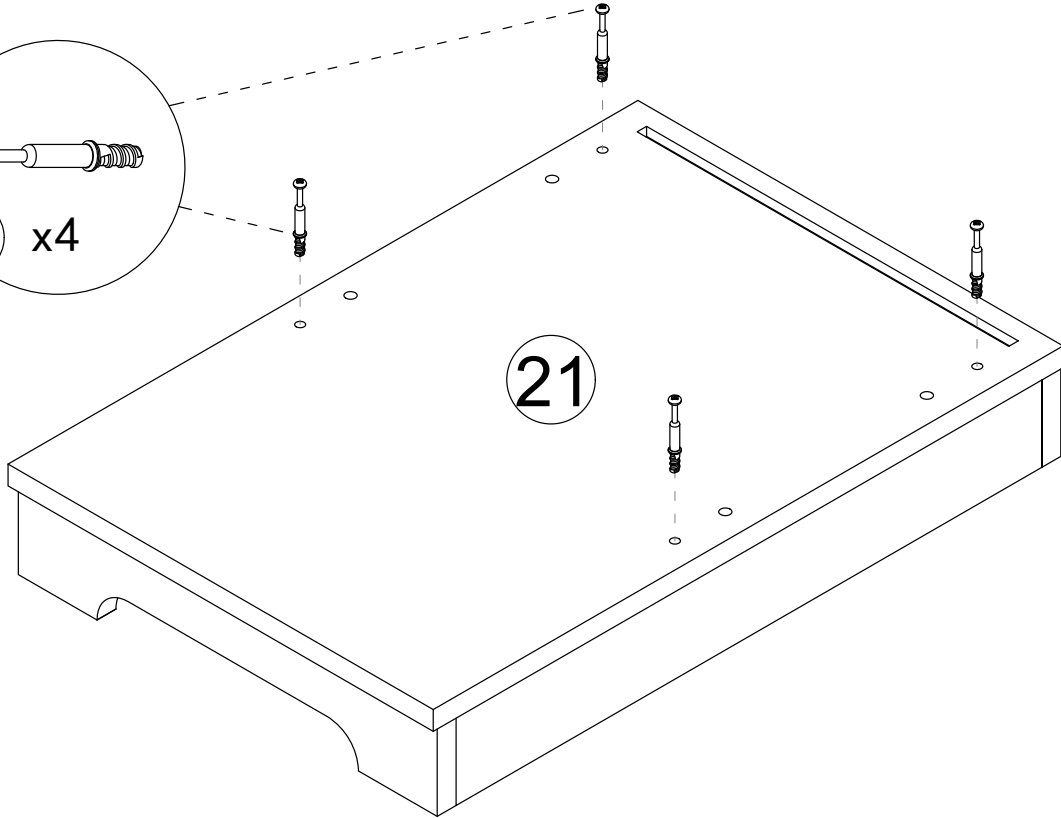
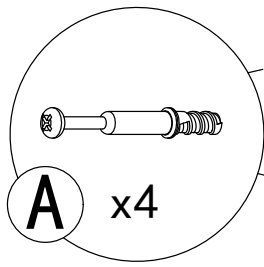
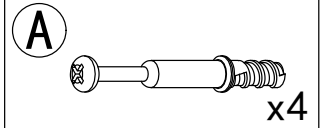
Step 52

Tear off release paper and stick the black foot pad on the board

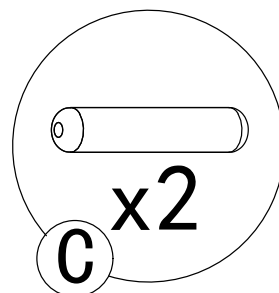
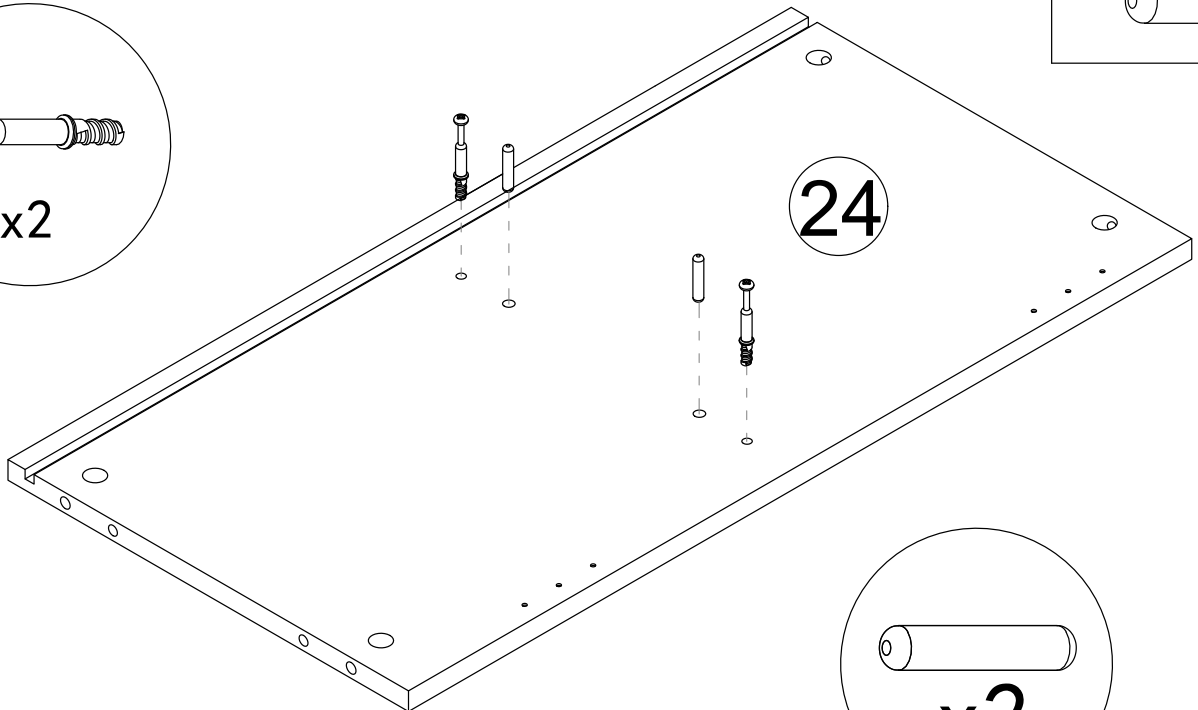
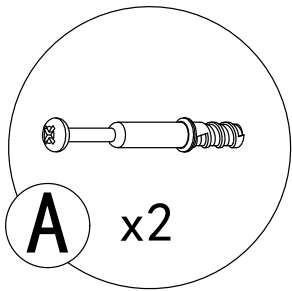
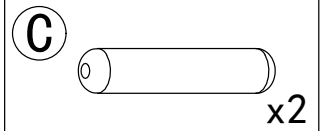
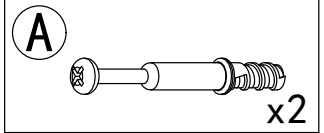


The ones with grooves are at the back

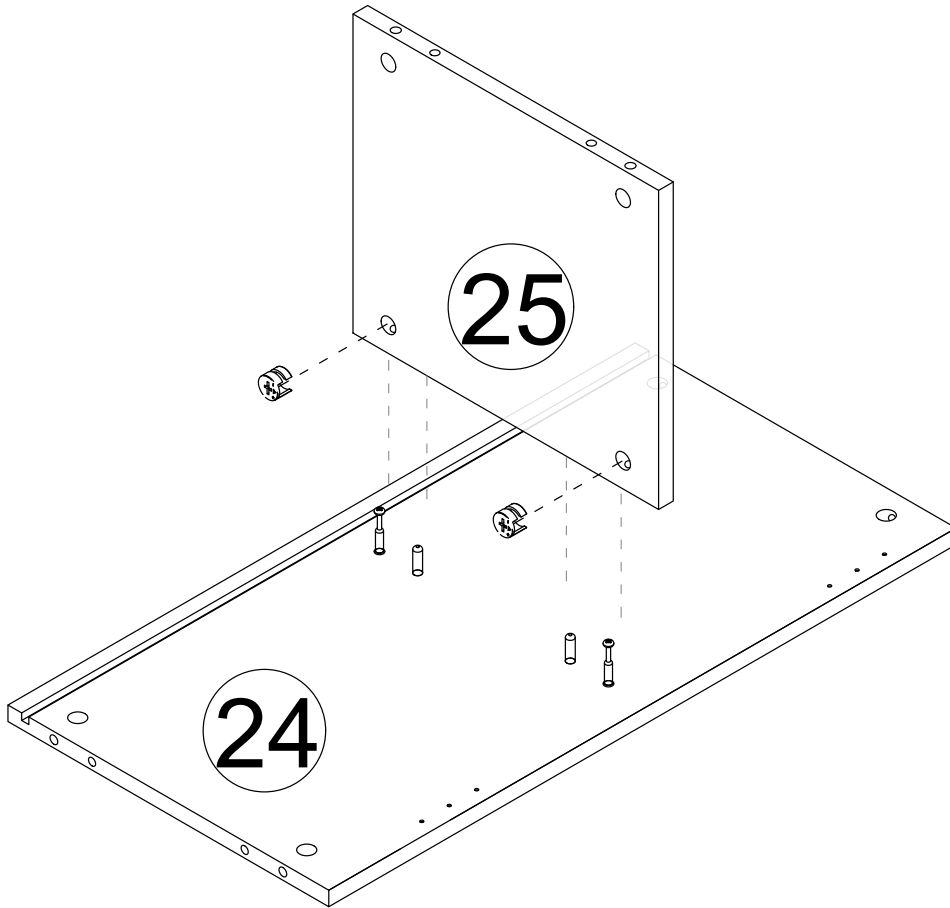
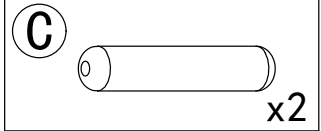
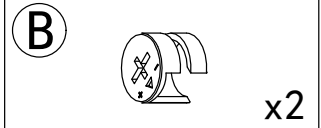
Step 53



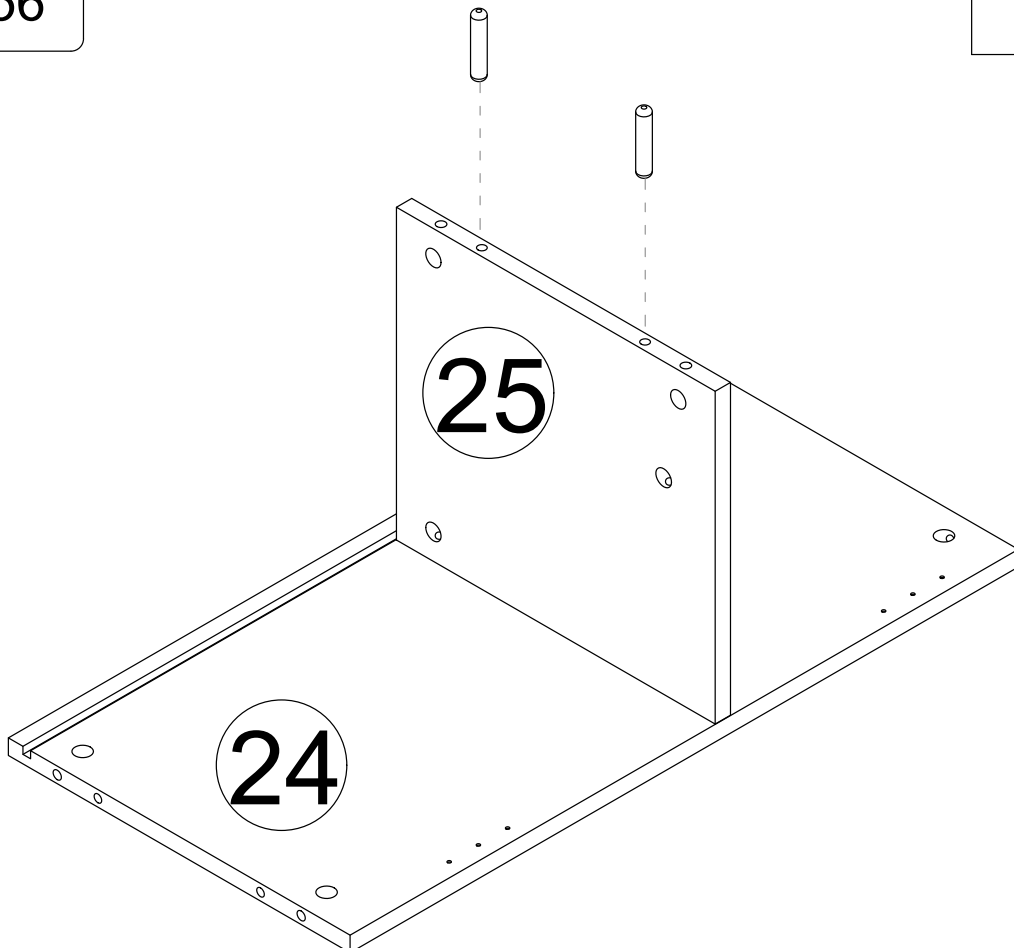
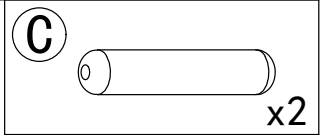
Step 54



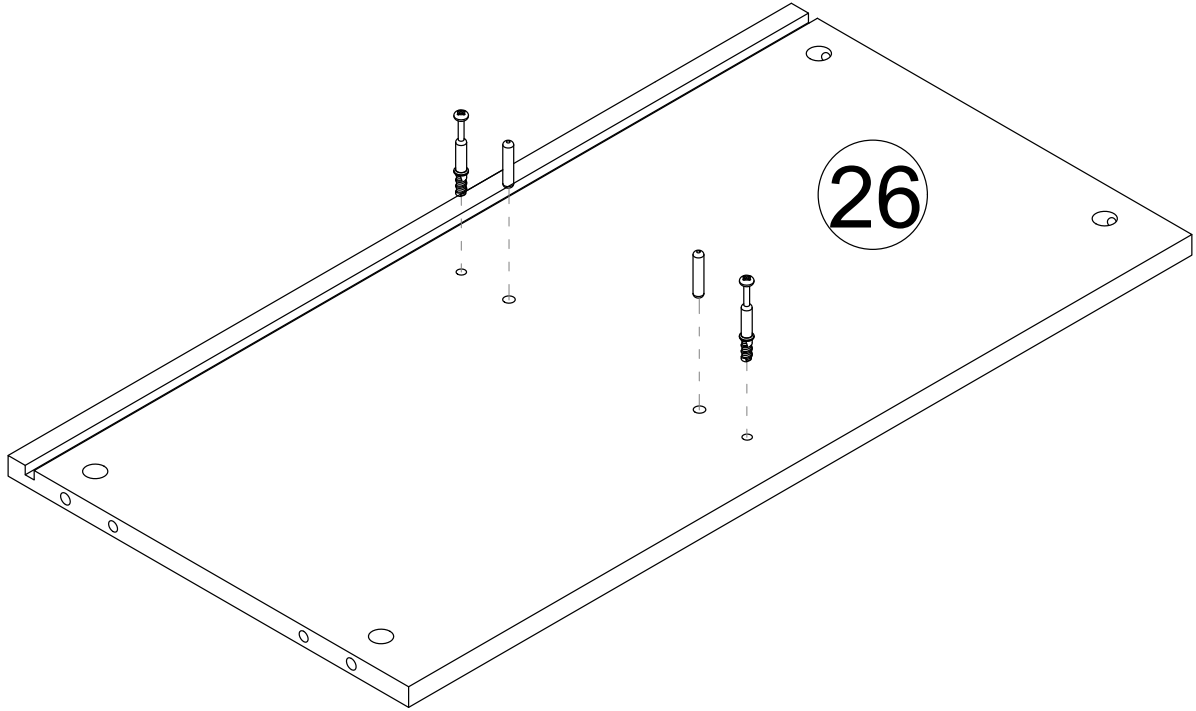
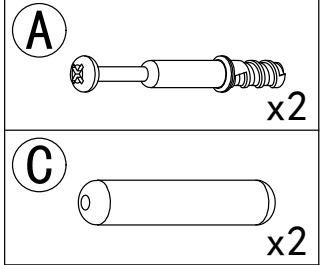
Step 55



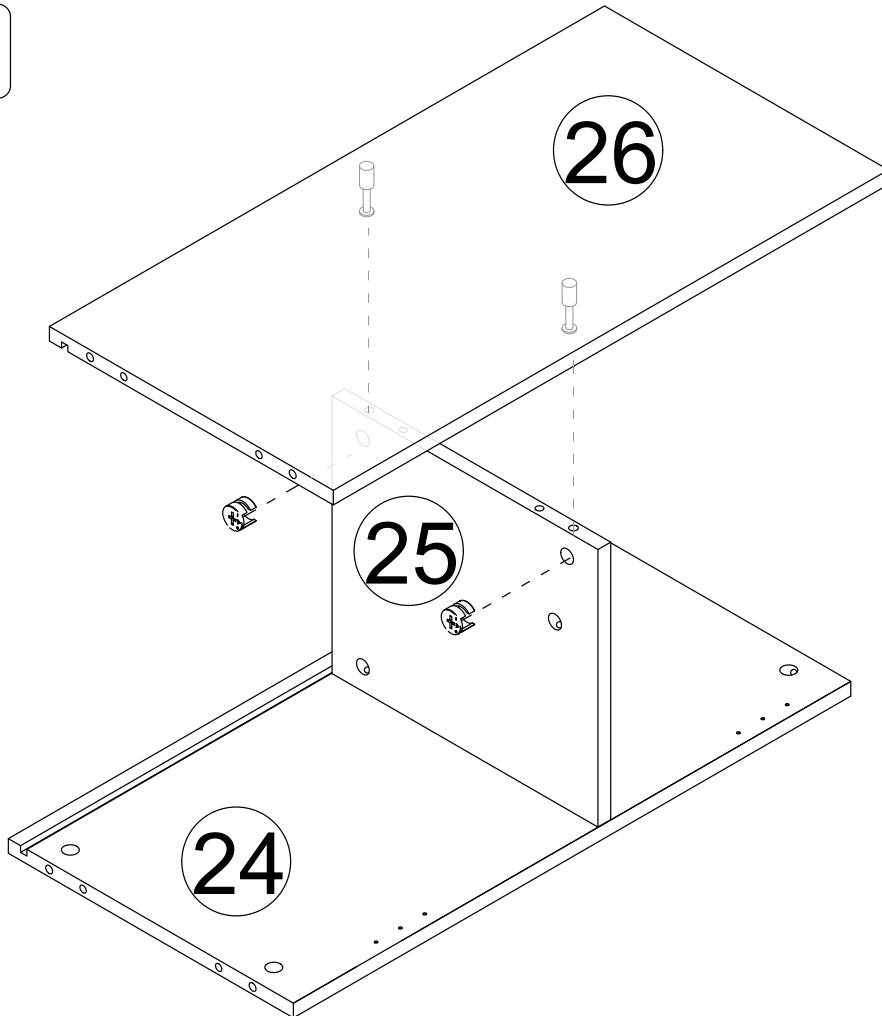
Step 56



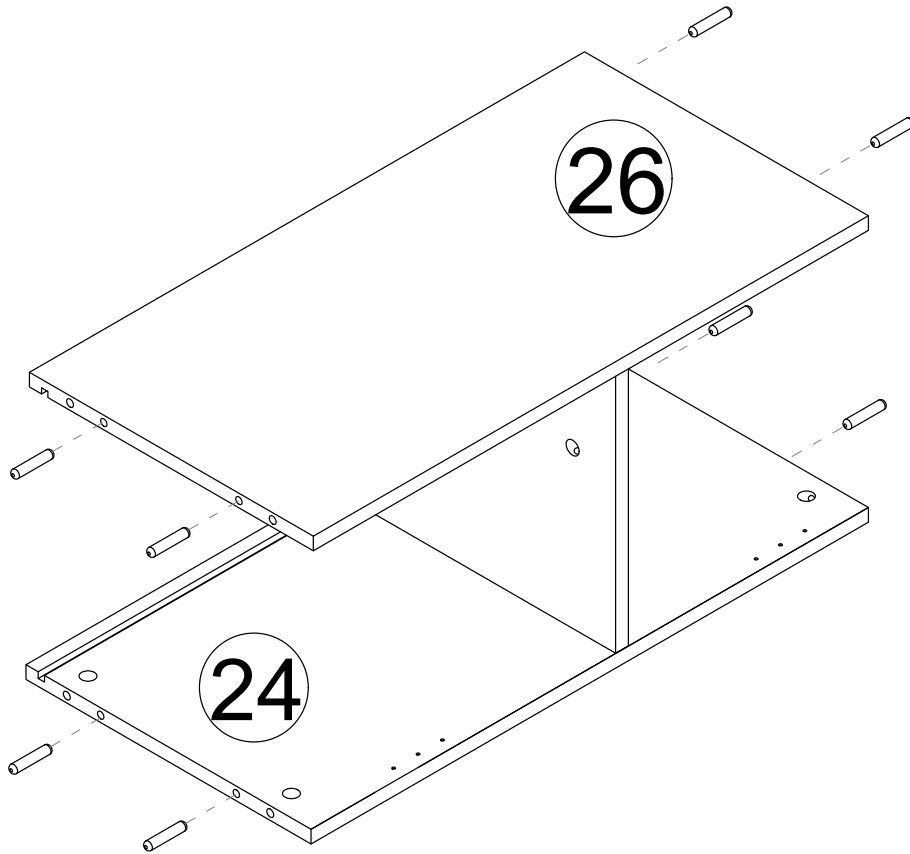
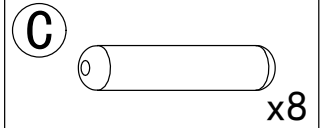
Step 57



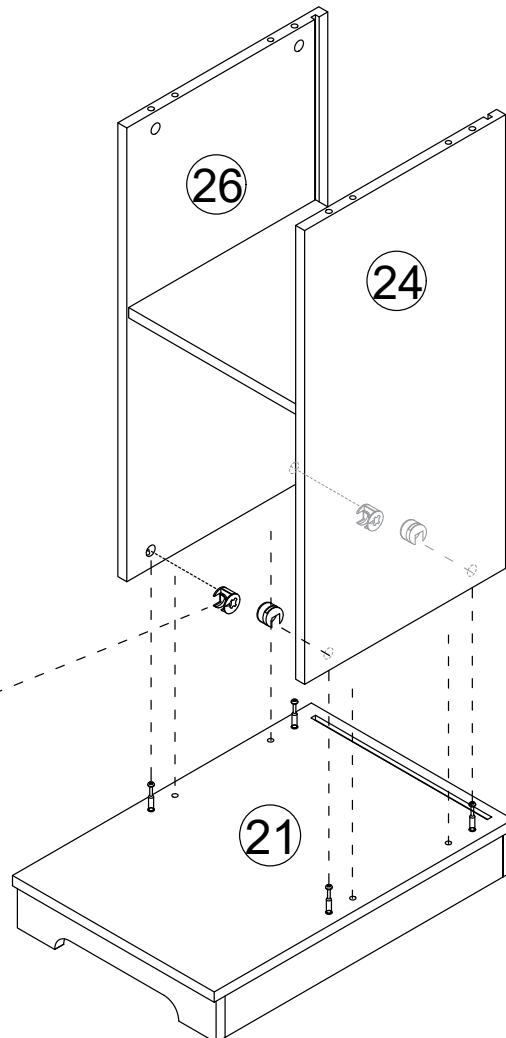
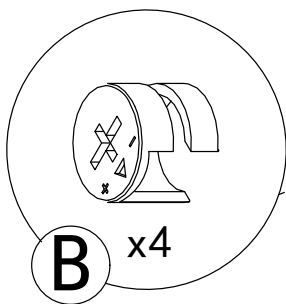
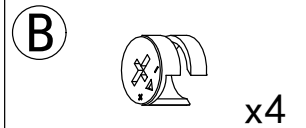
Step 58

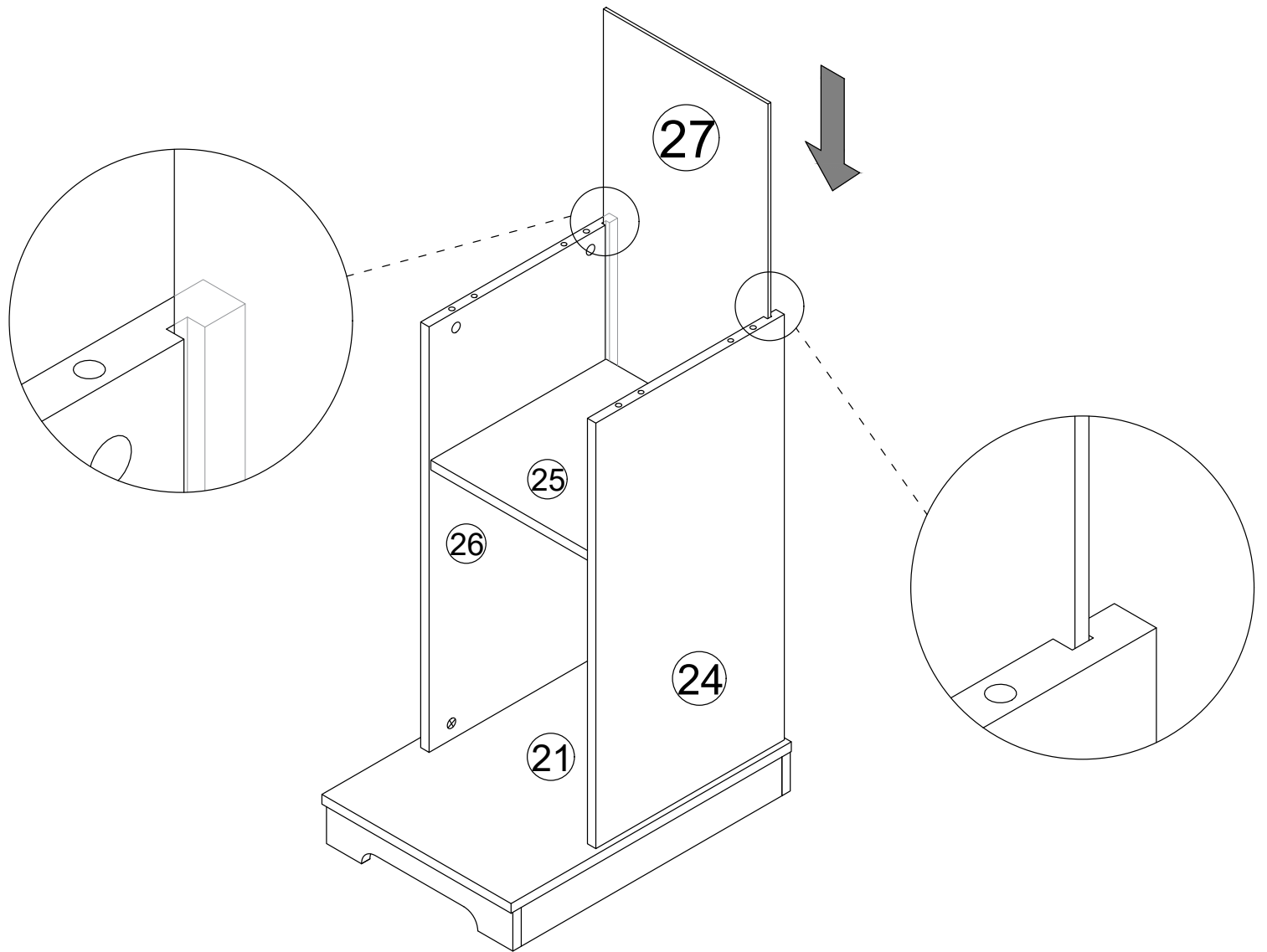


Step 59

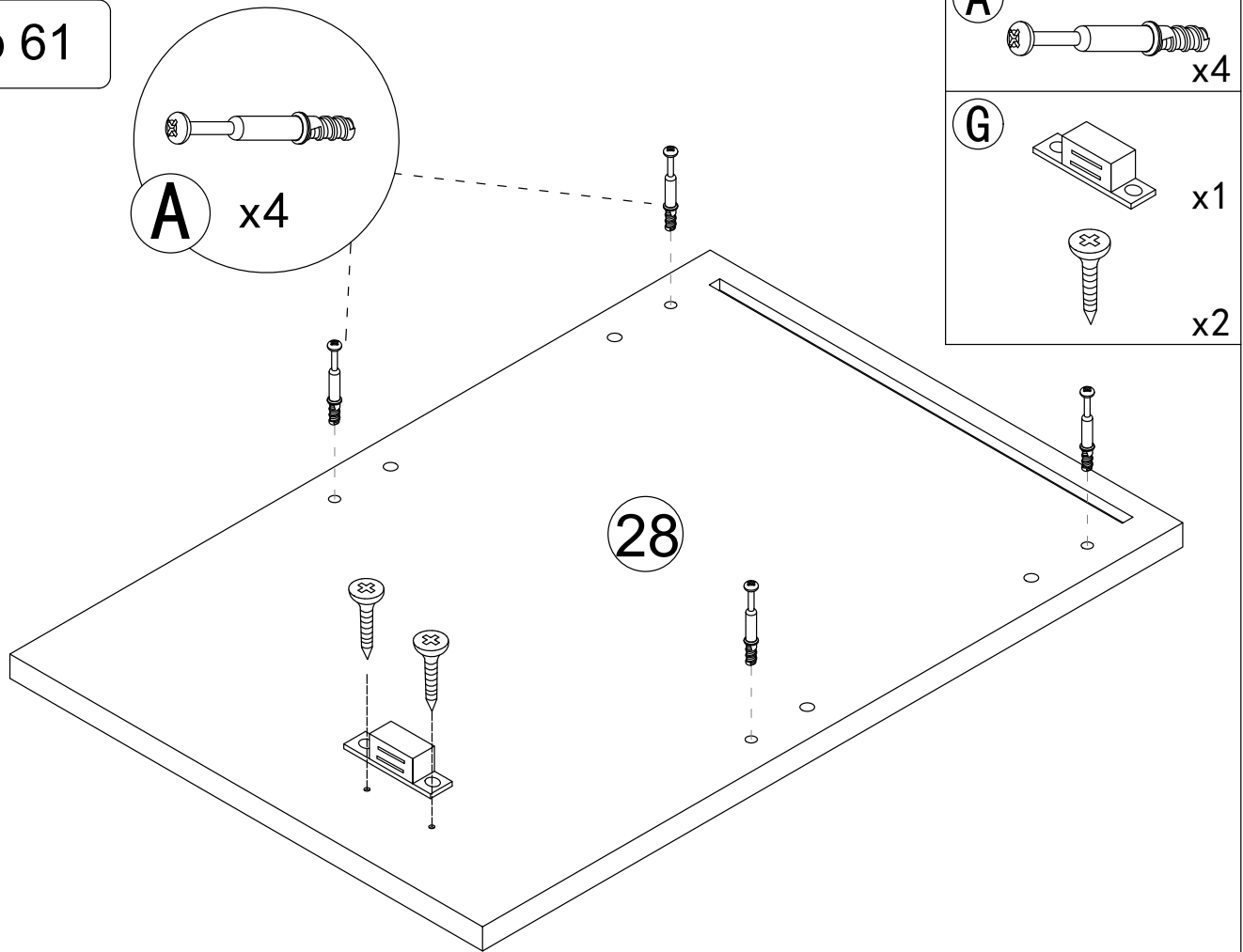


Step 60

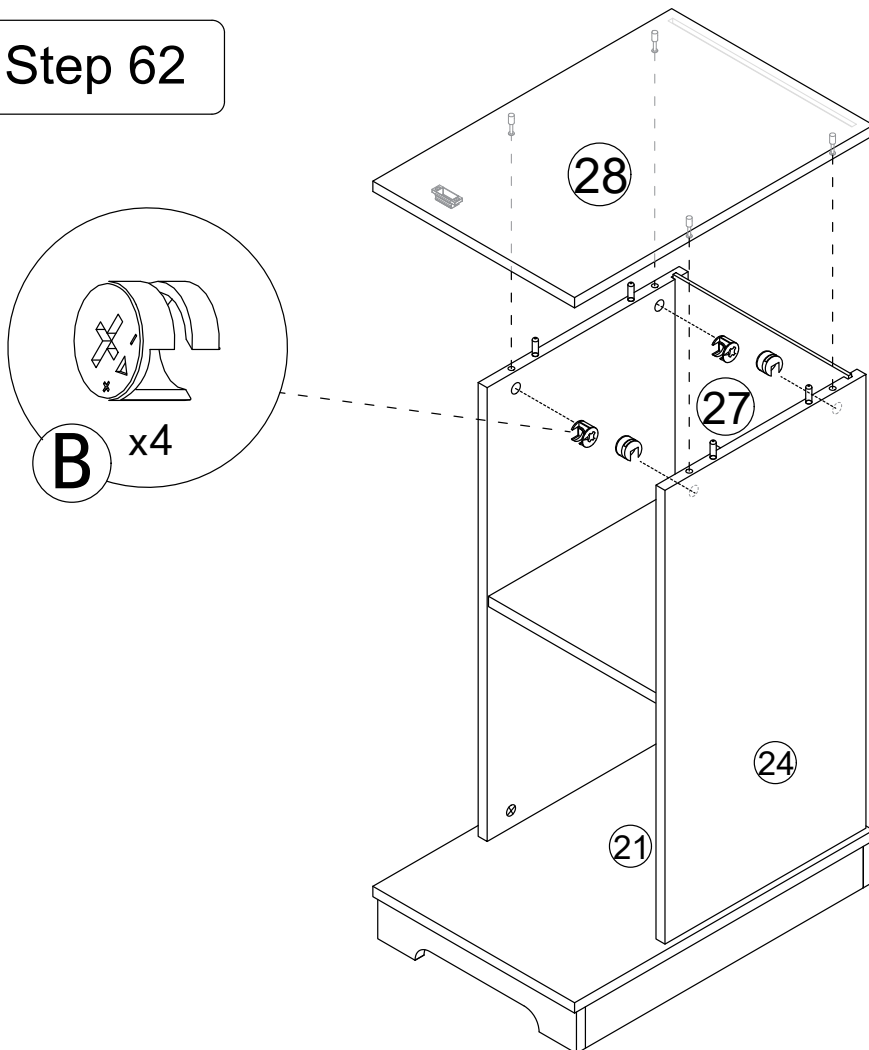




Step 61

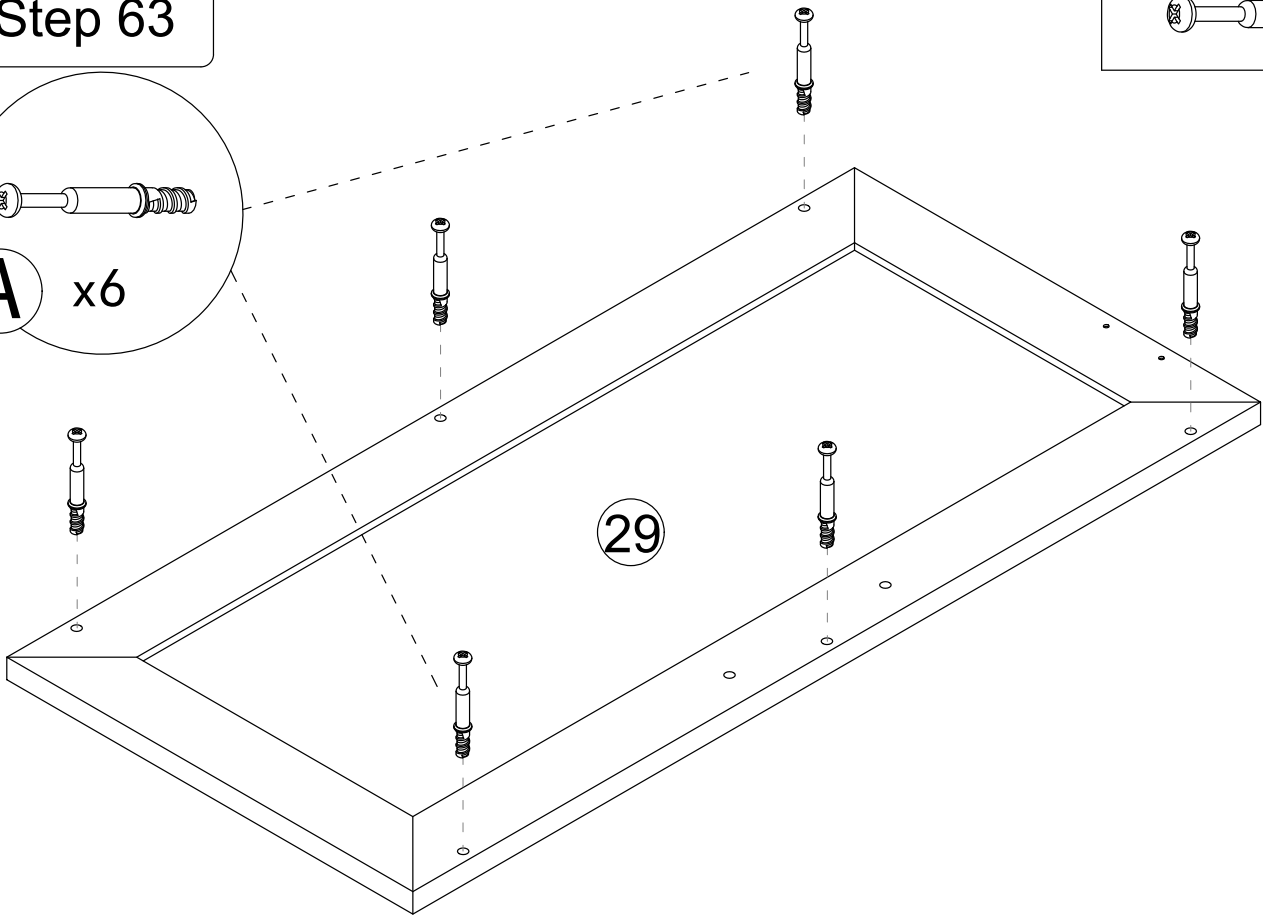
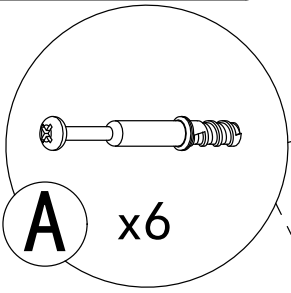
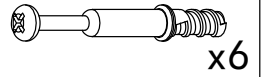


Step 62



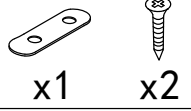
Step 63

A

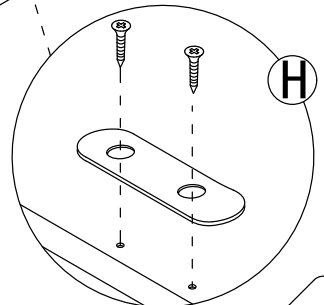
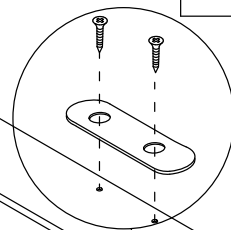
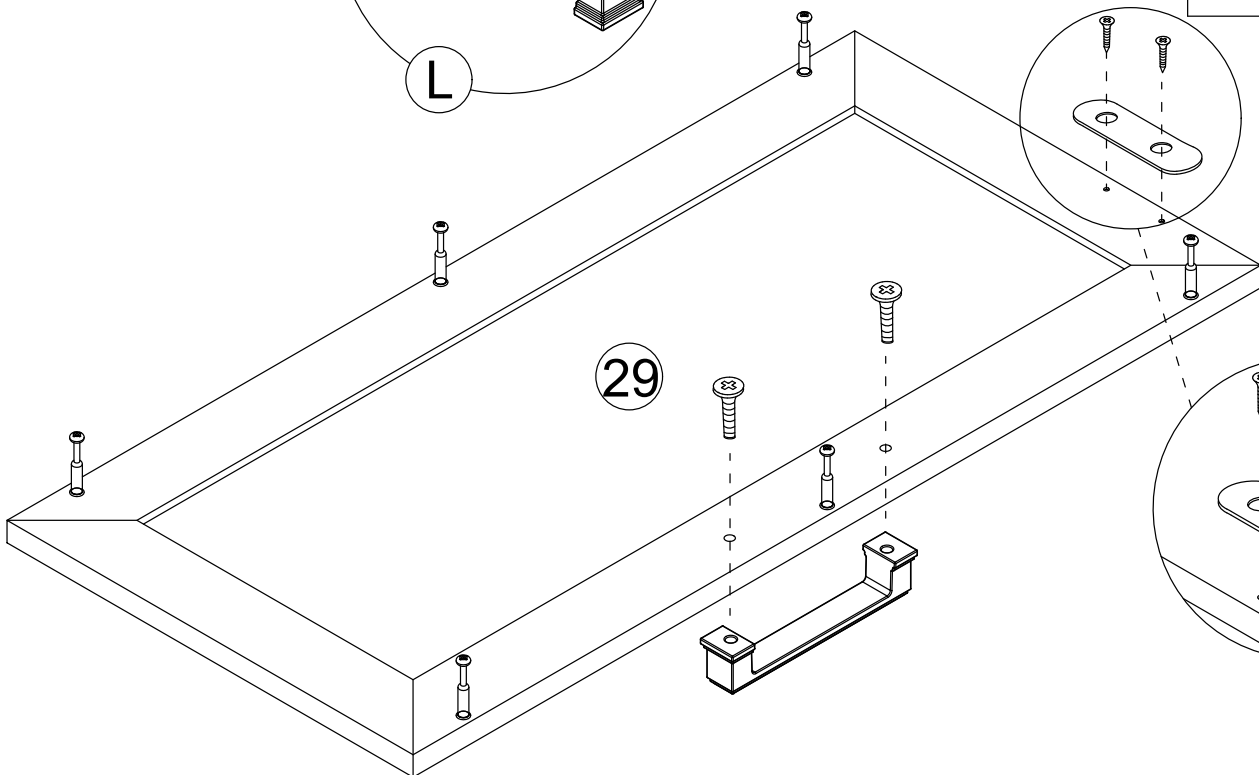
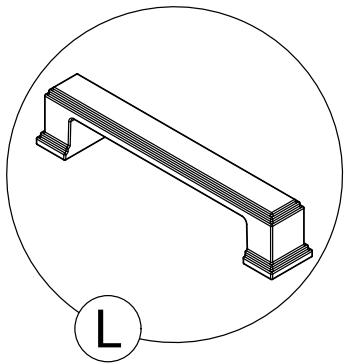
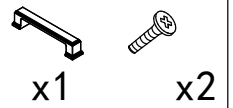


Step 64

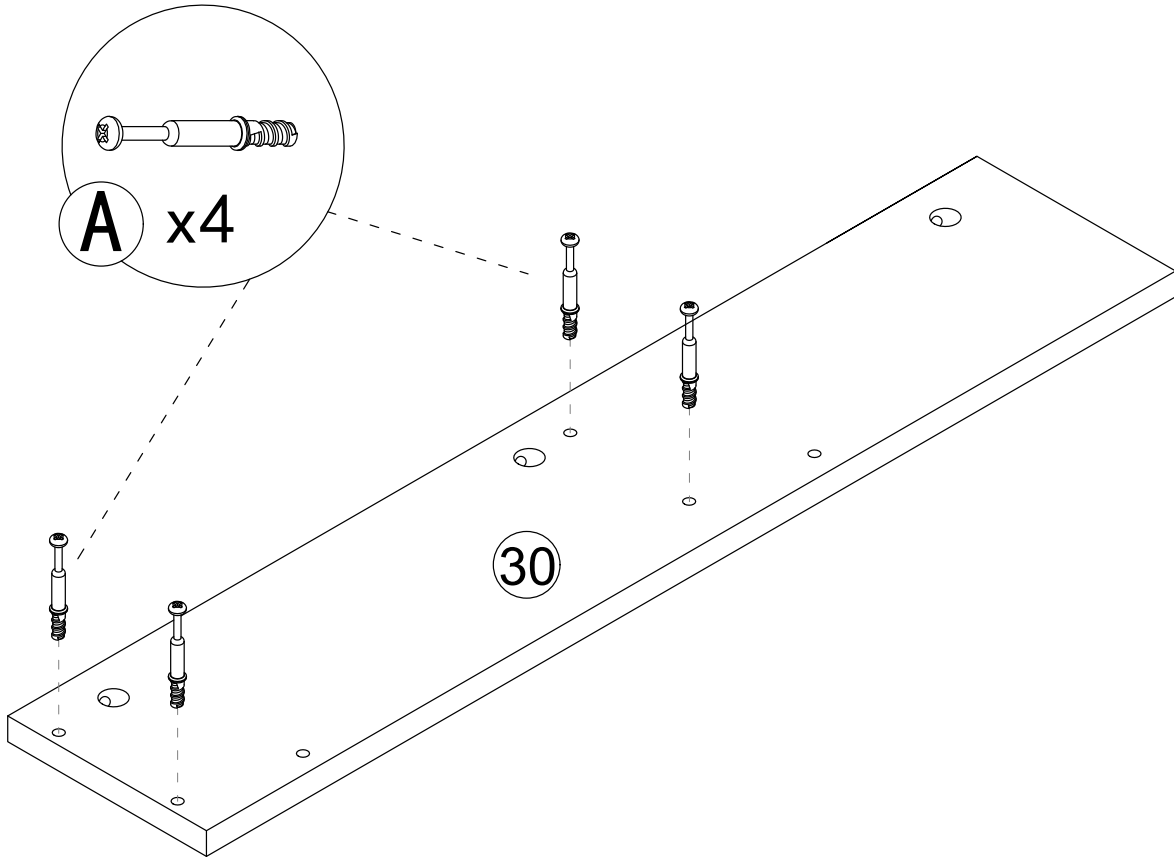
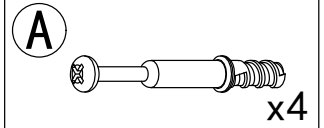
H



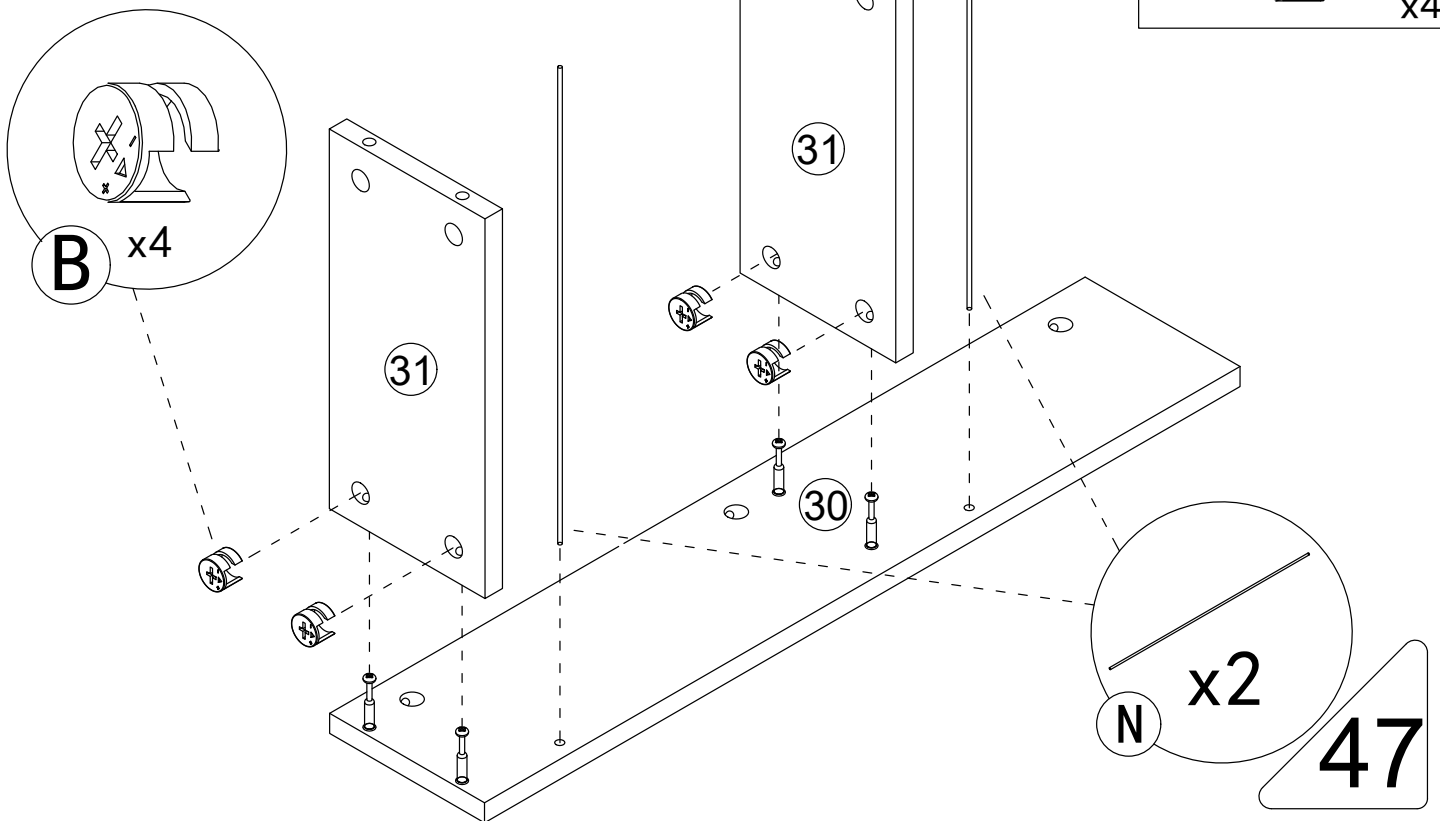
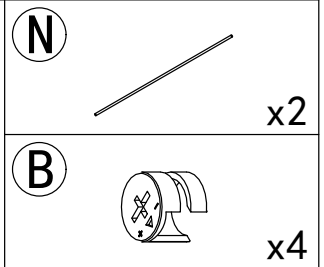
L



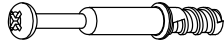
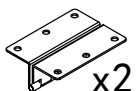

Step 65

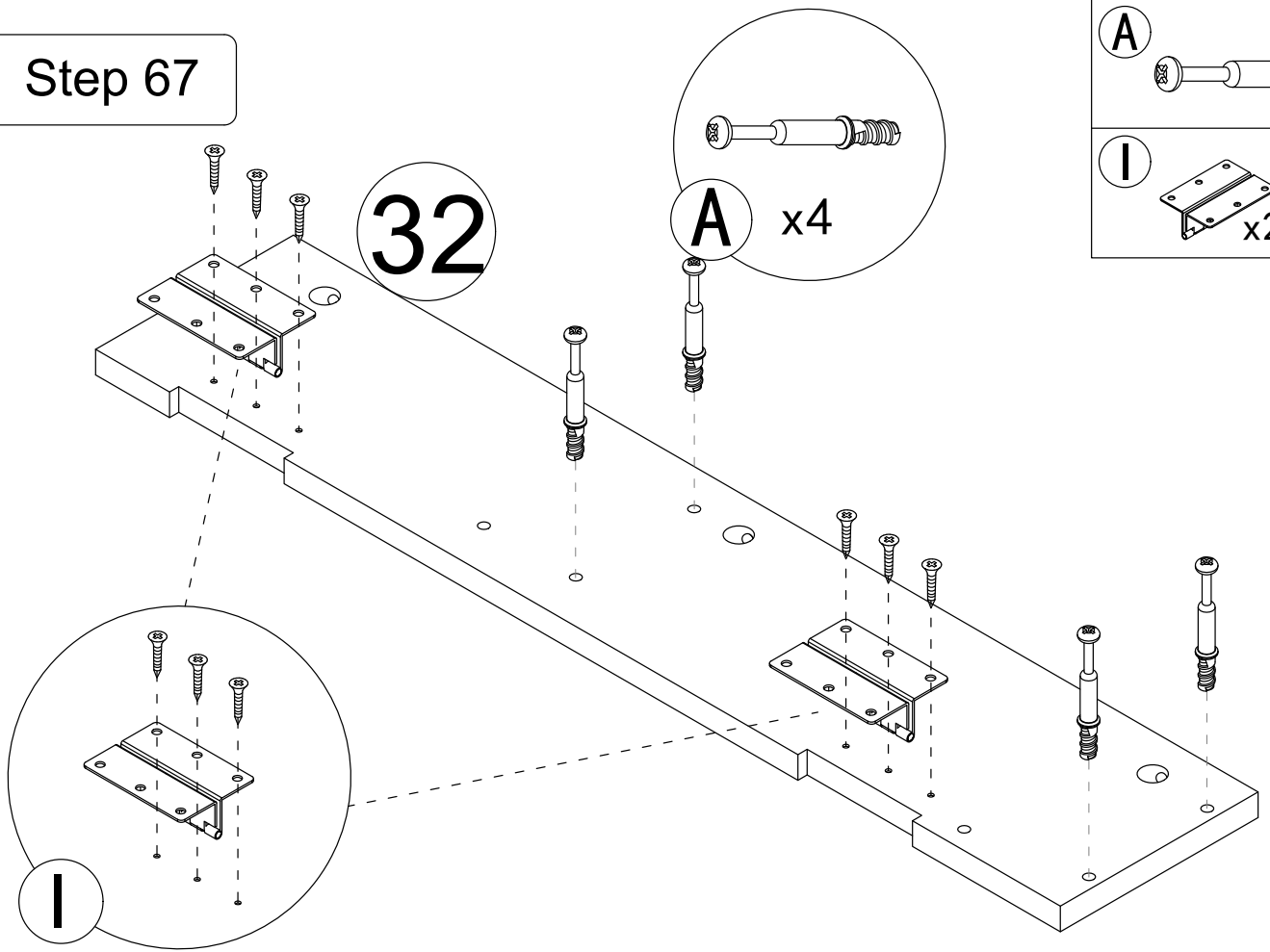


Step 66




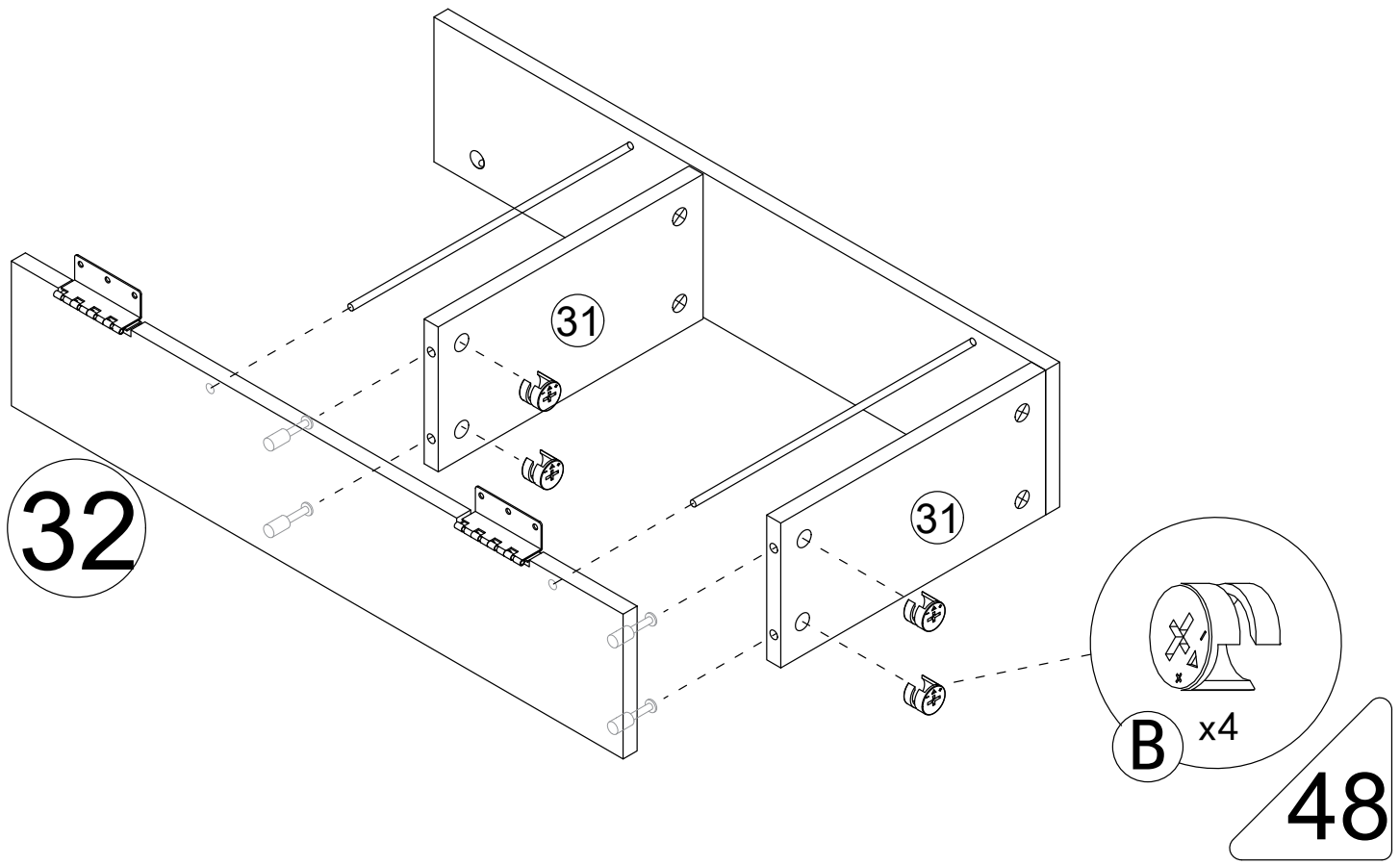
Step 67

- A**  x4
- I**  x2  x6

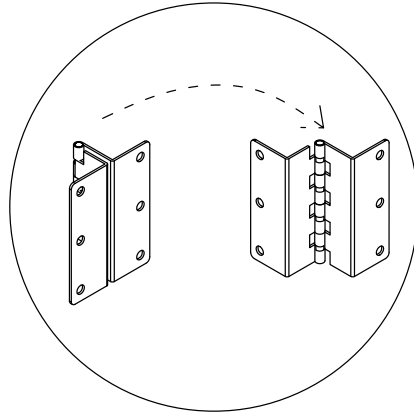
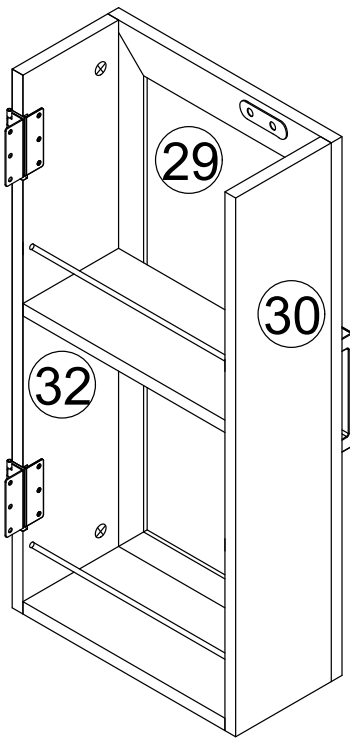


Step 68

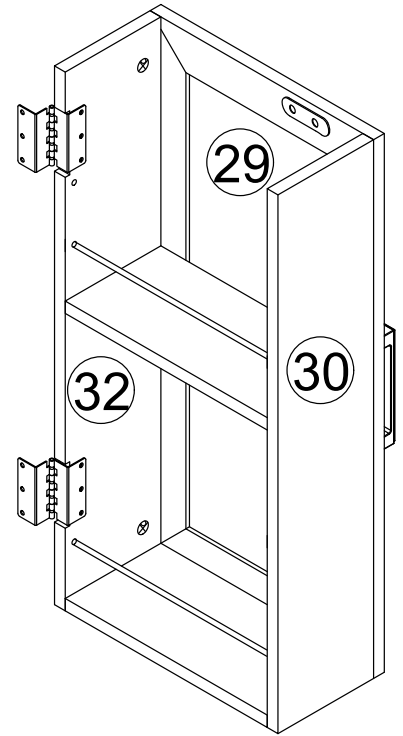
- B**  x6



Step 69



Flip the hinge 90 degrees

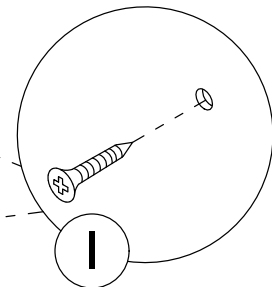
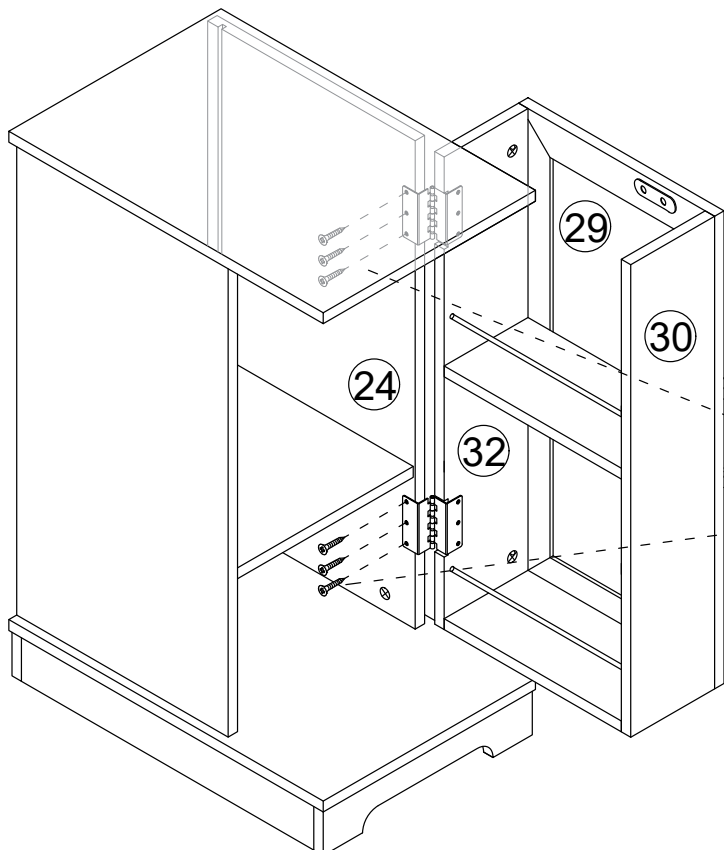


Step 70

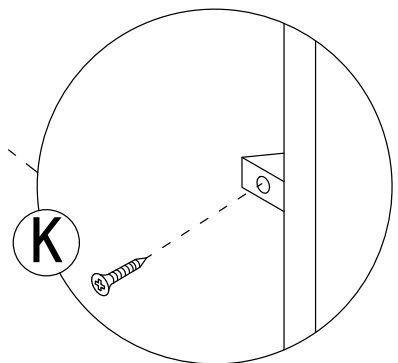
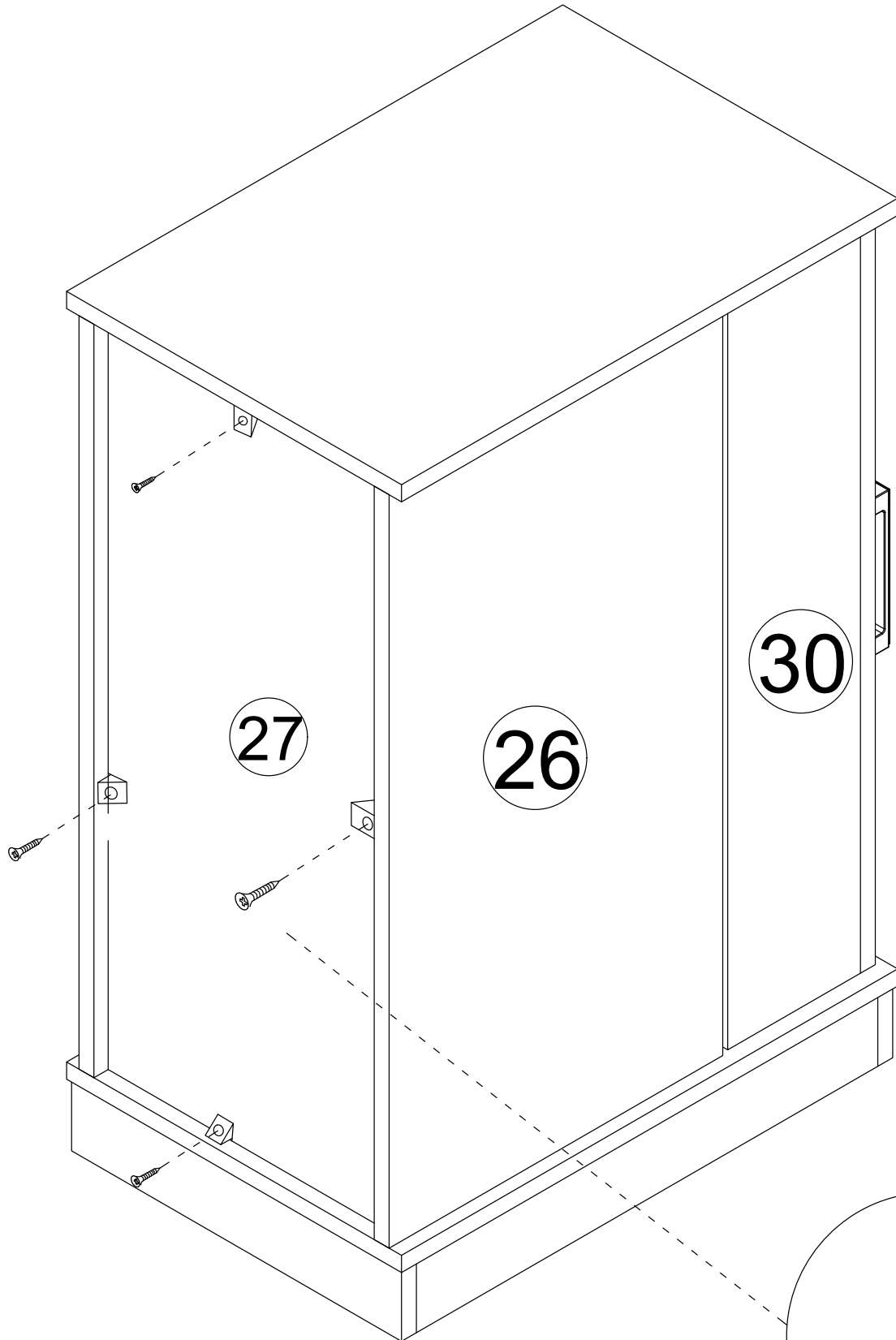
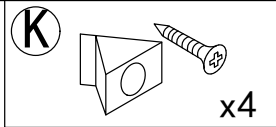
1

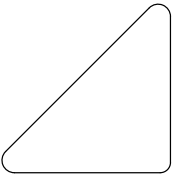
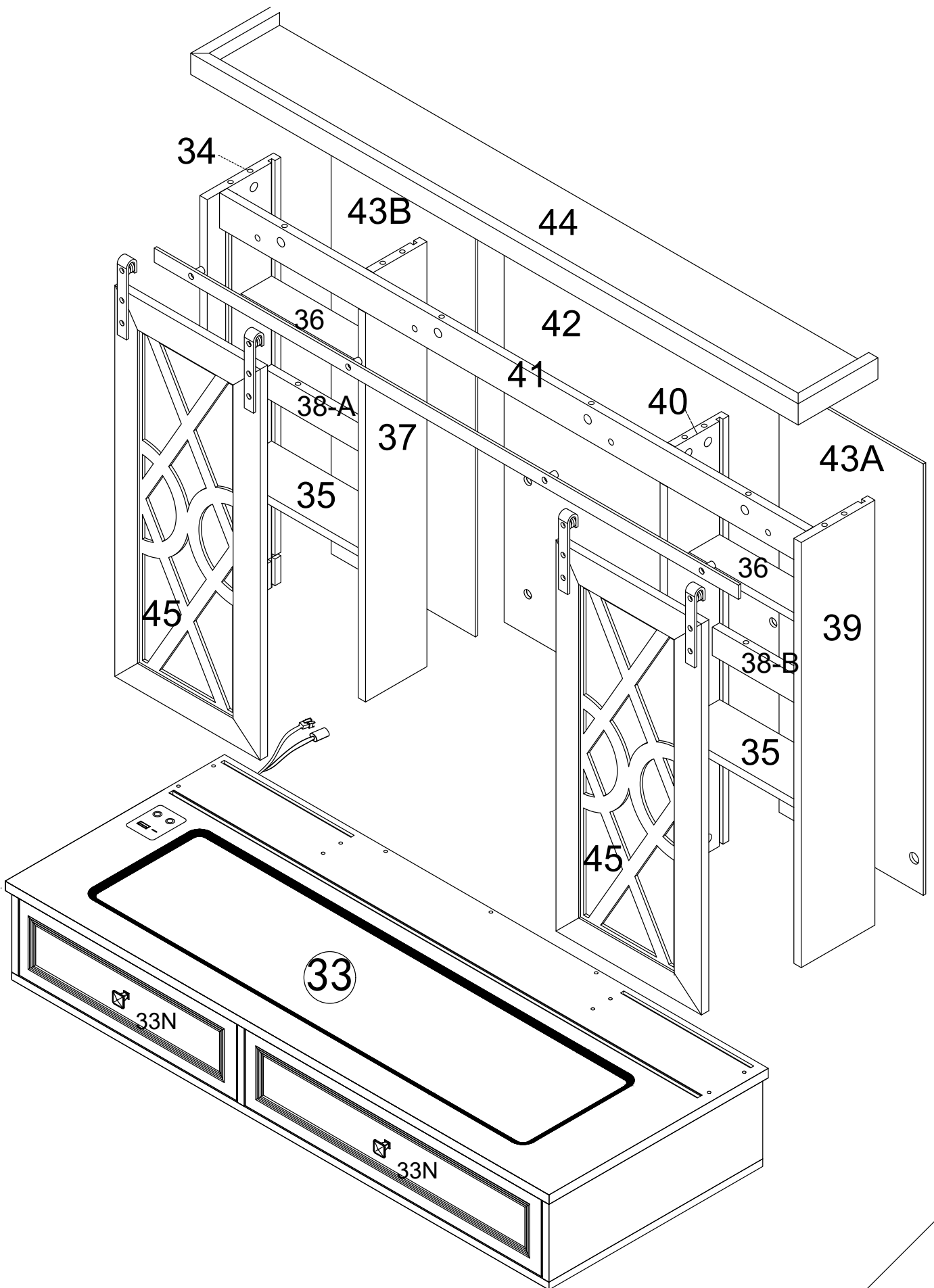


x6



Step 71





Step 73

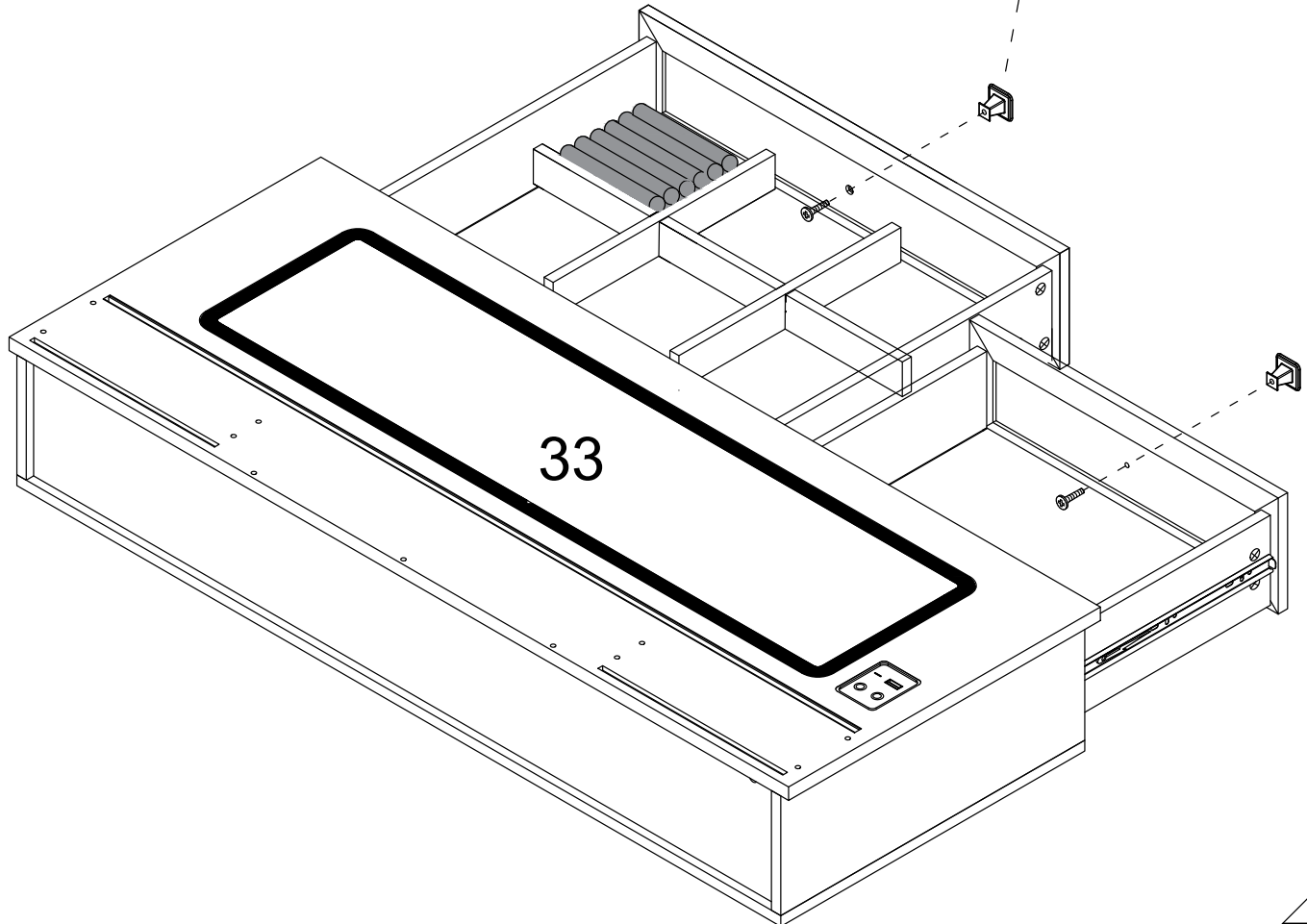
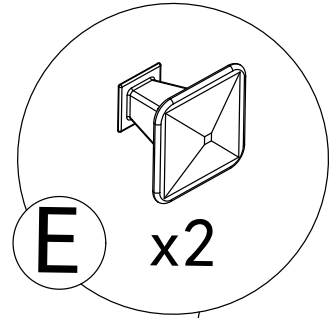
E



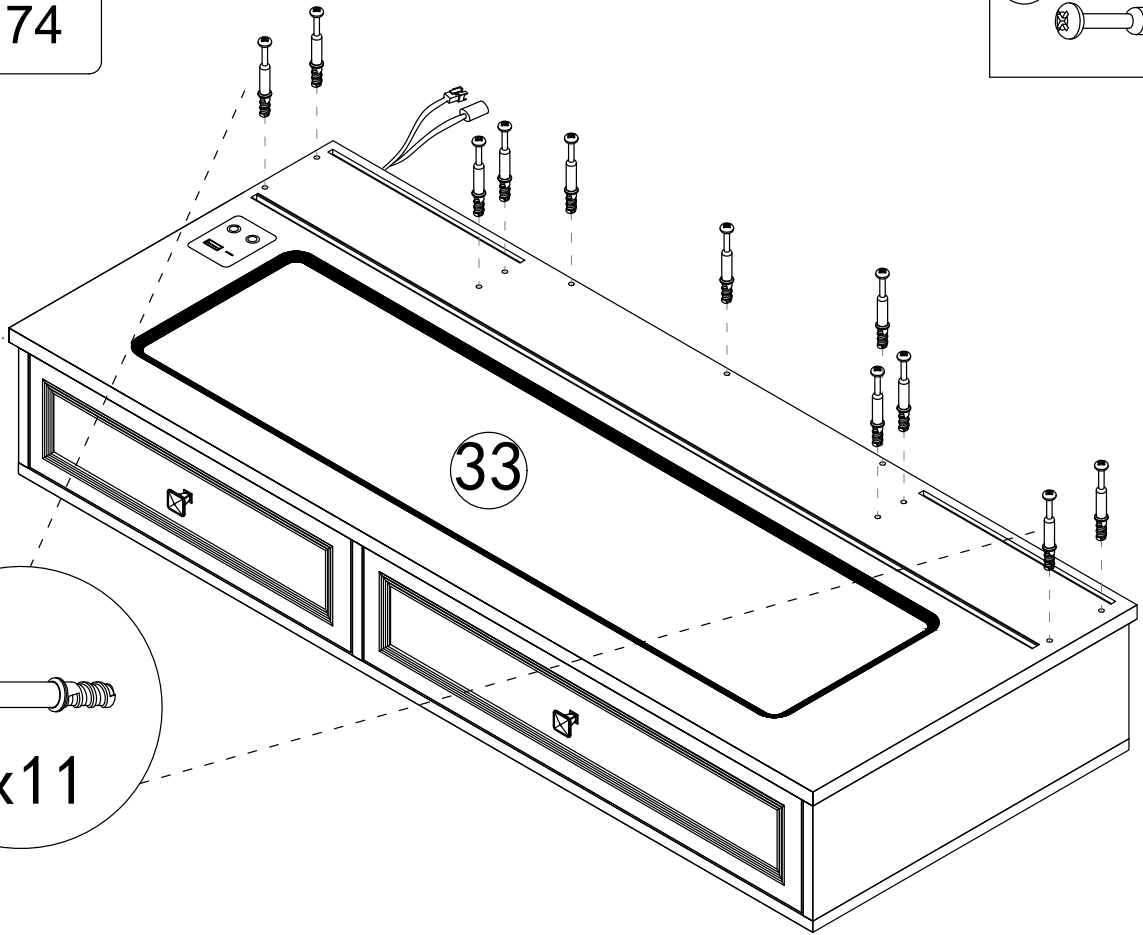
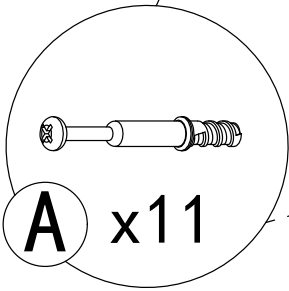
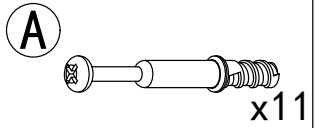
x2



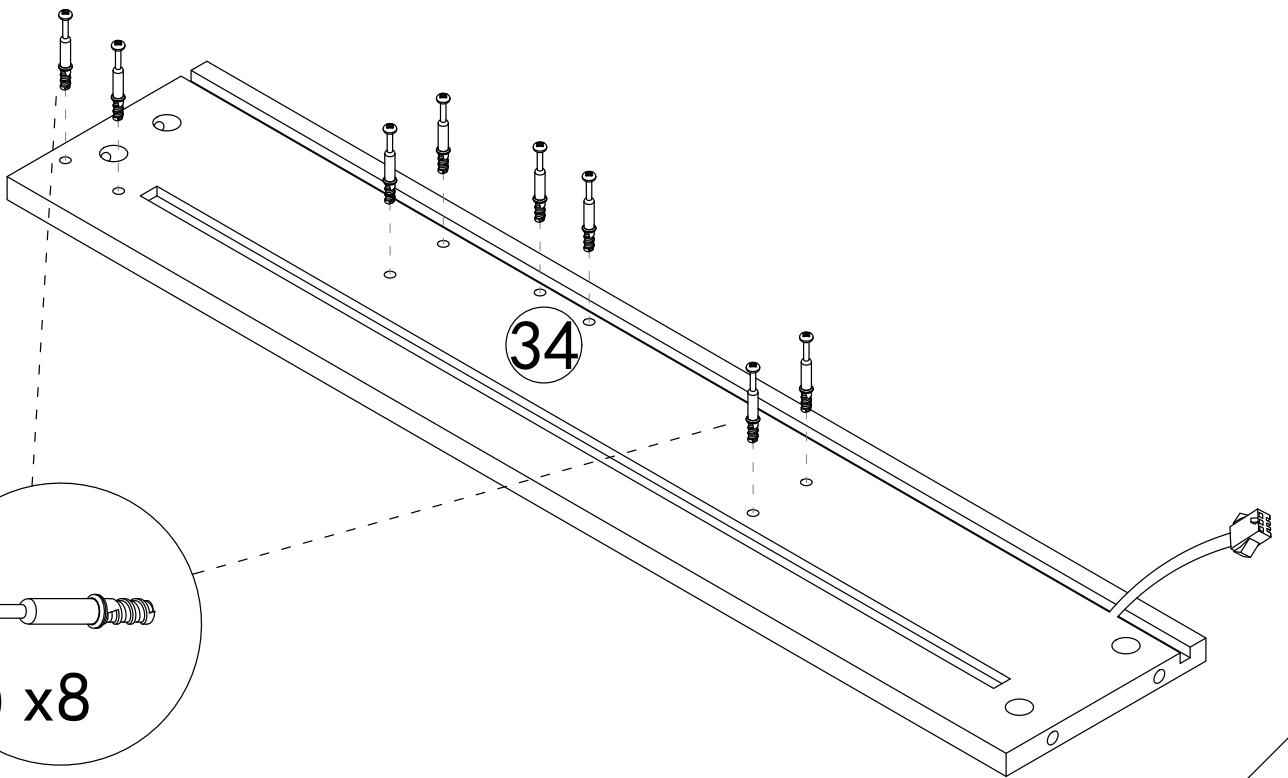
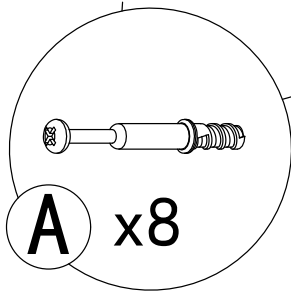
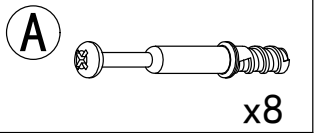
x2



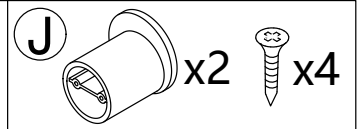
Step 74



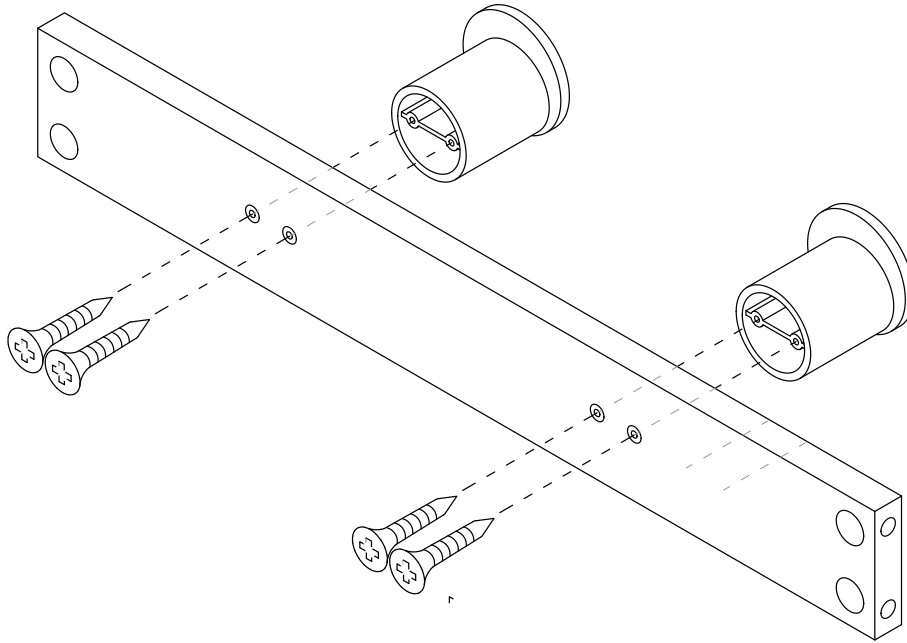
Step 75



Step 76

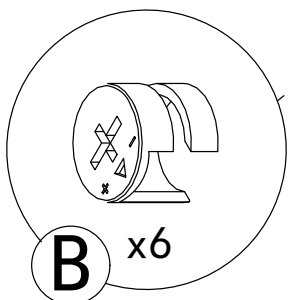
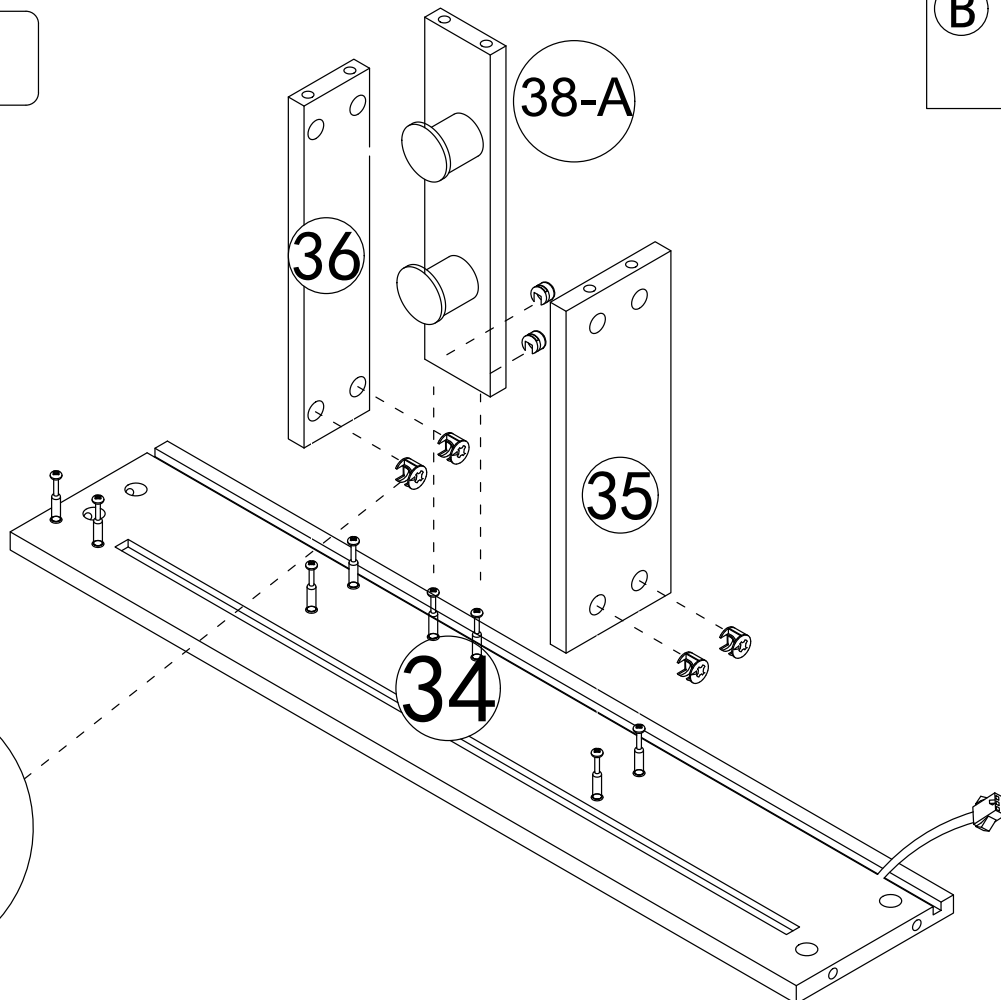
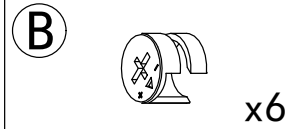


Installation direction one to



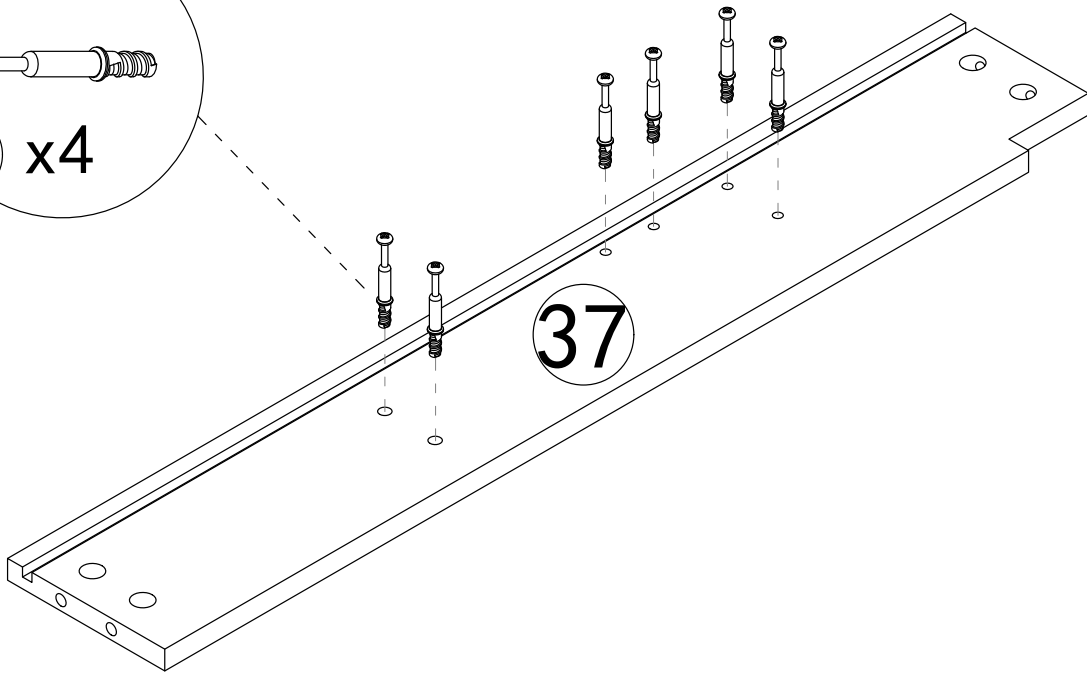
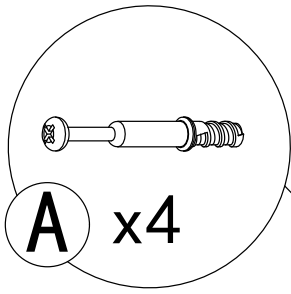
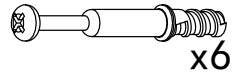
38-A

Step 77



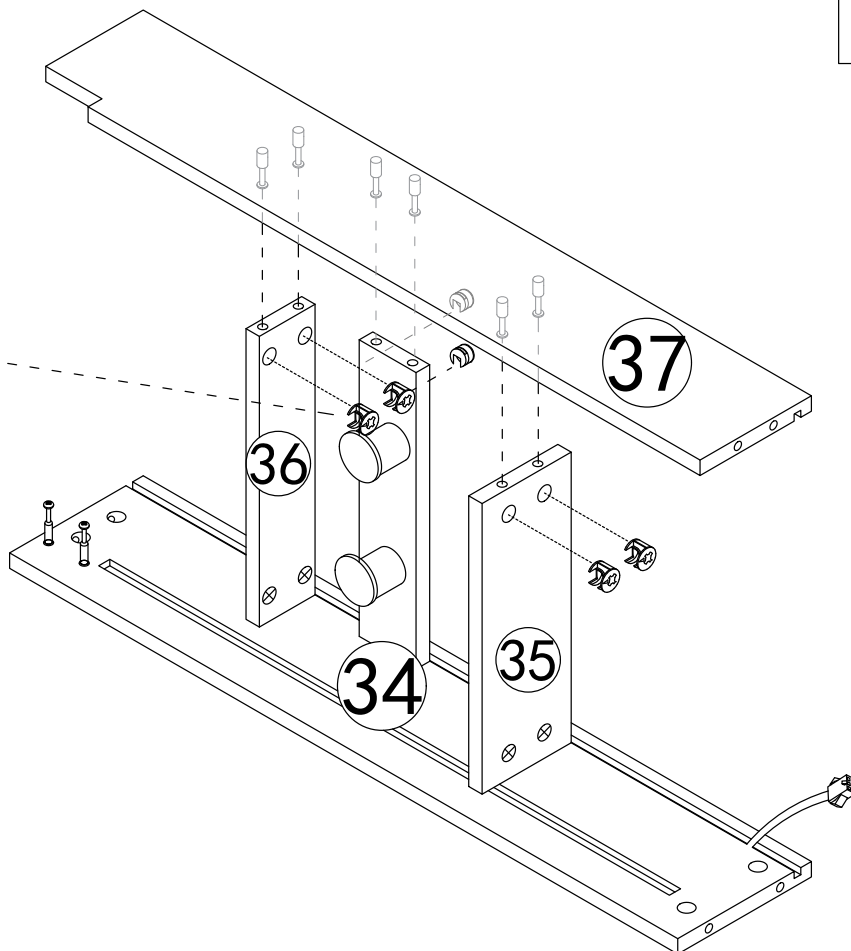
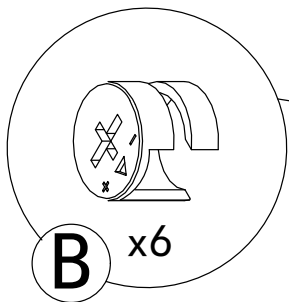
Step 78

A



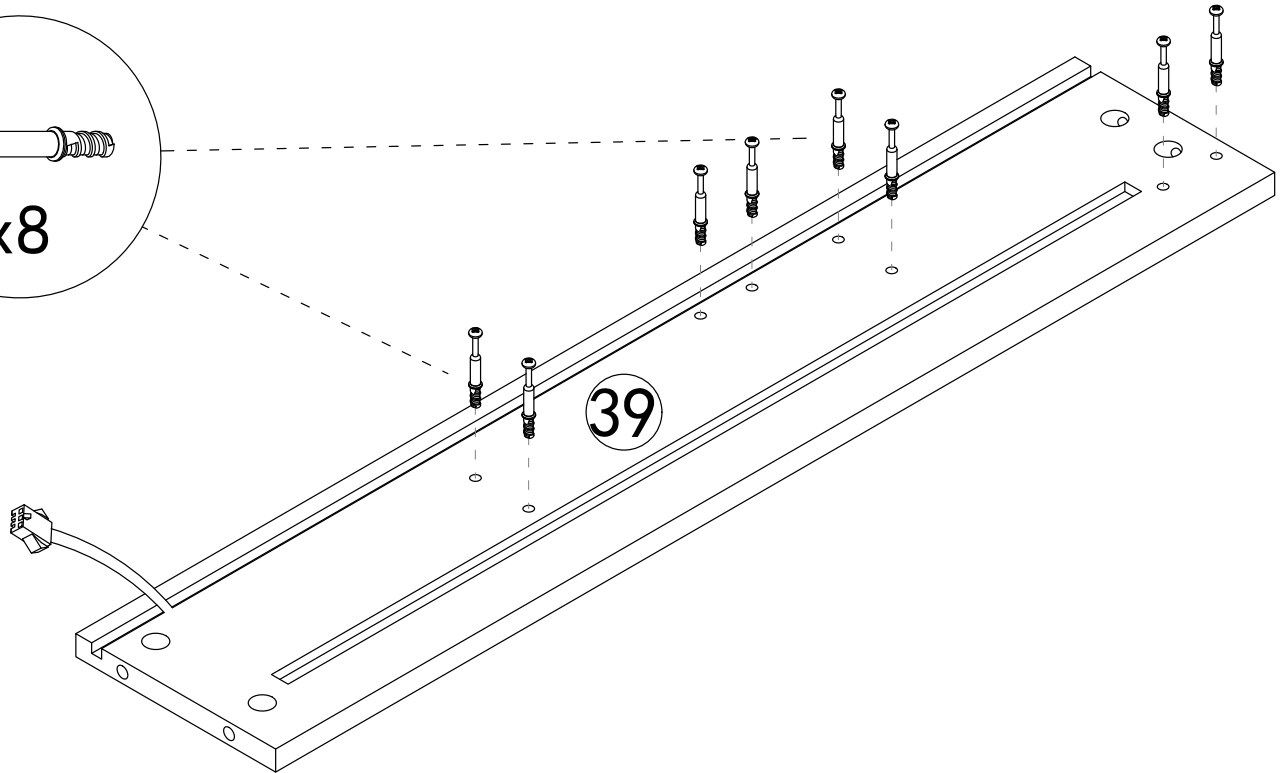
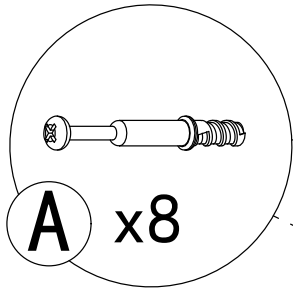
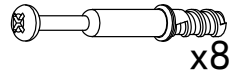
Step 79

B



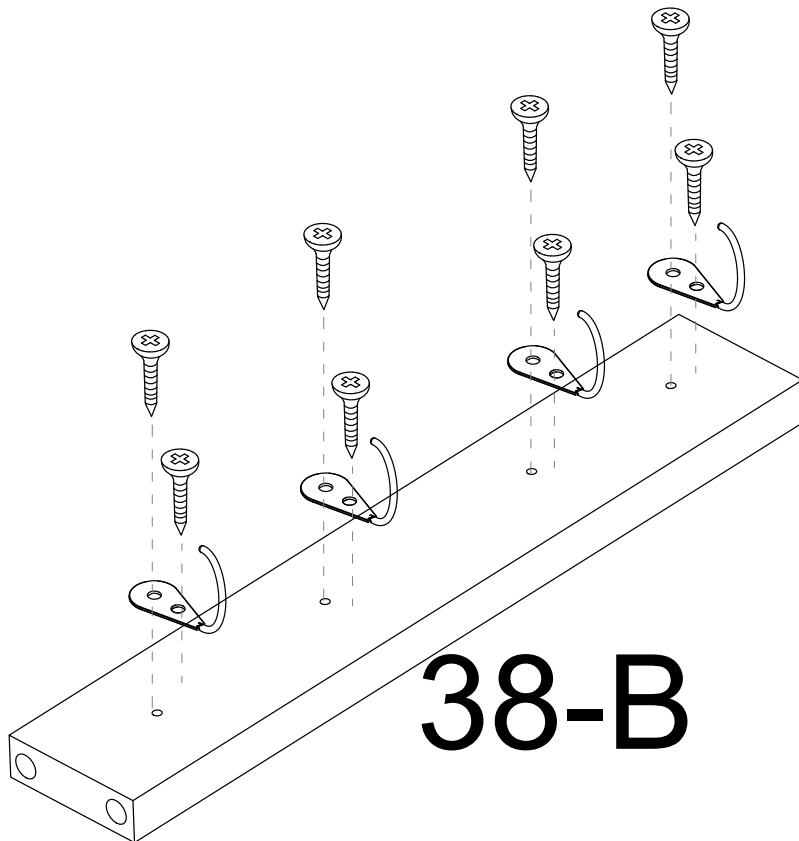
Step 80

A



Step 81

W

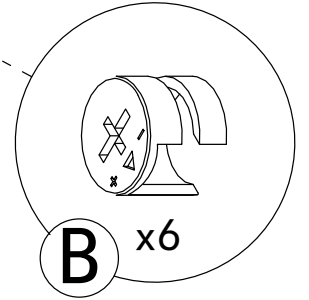
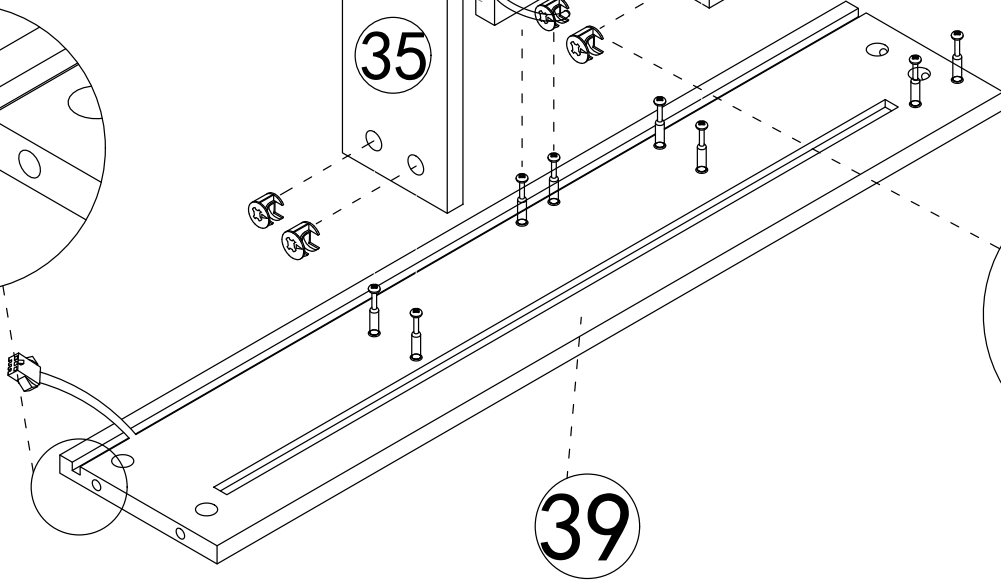
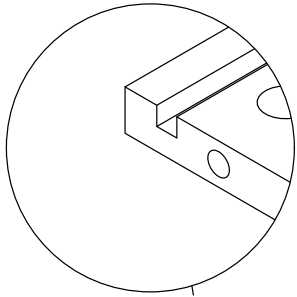


Step 82

B



x6



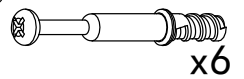
B

x6

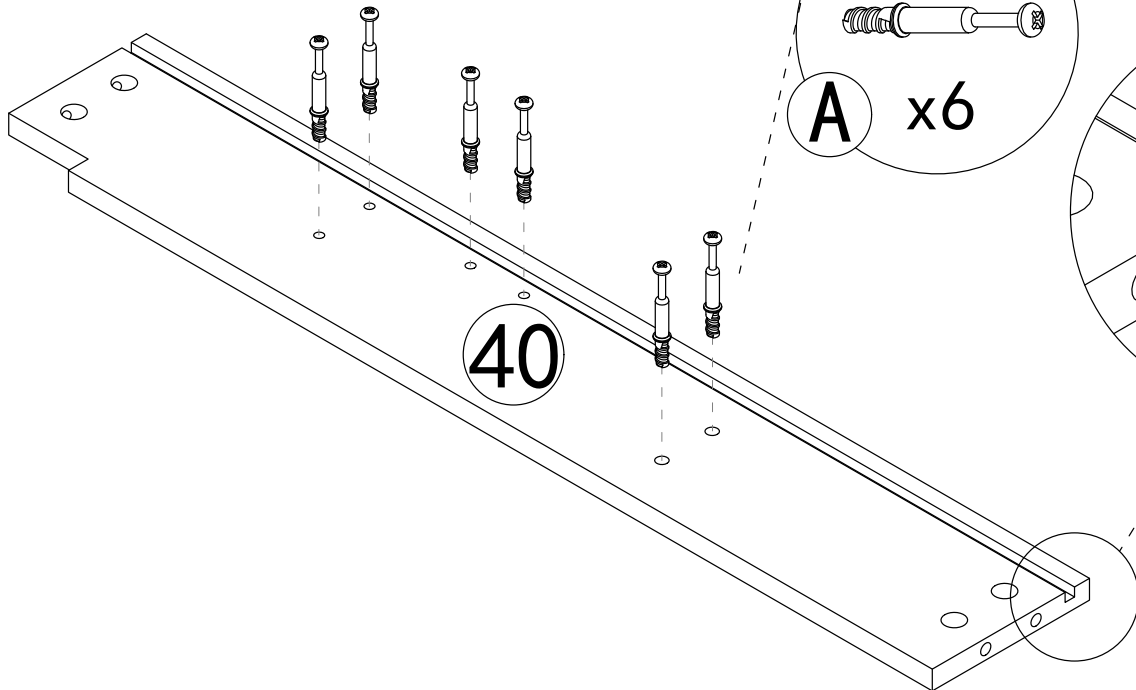
39

Step 83

A



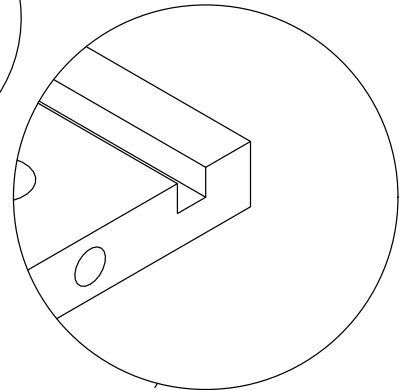
x6




A

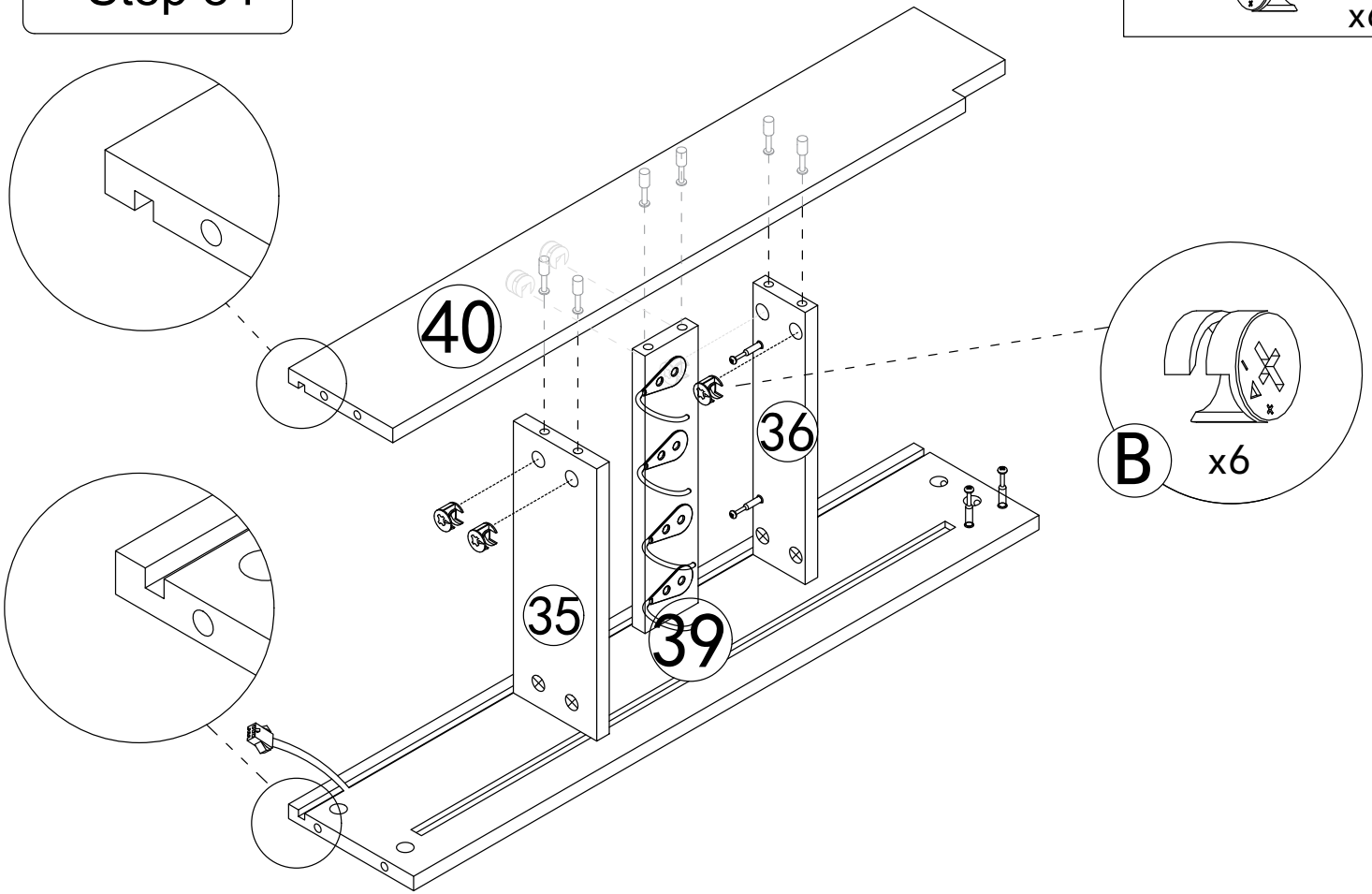
x6

40




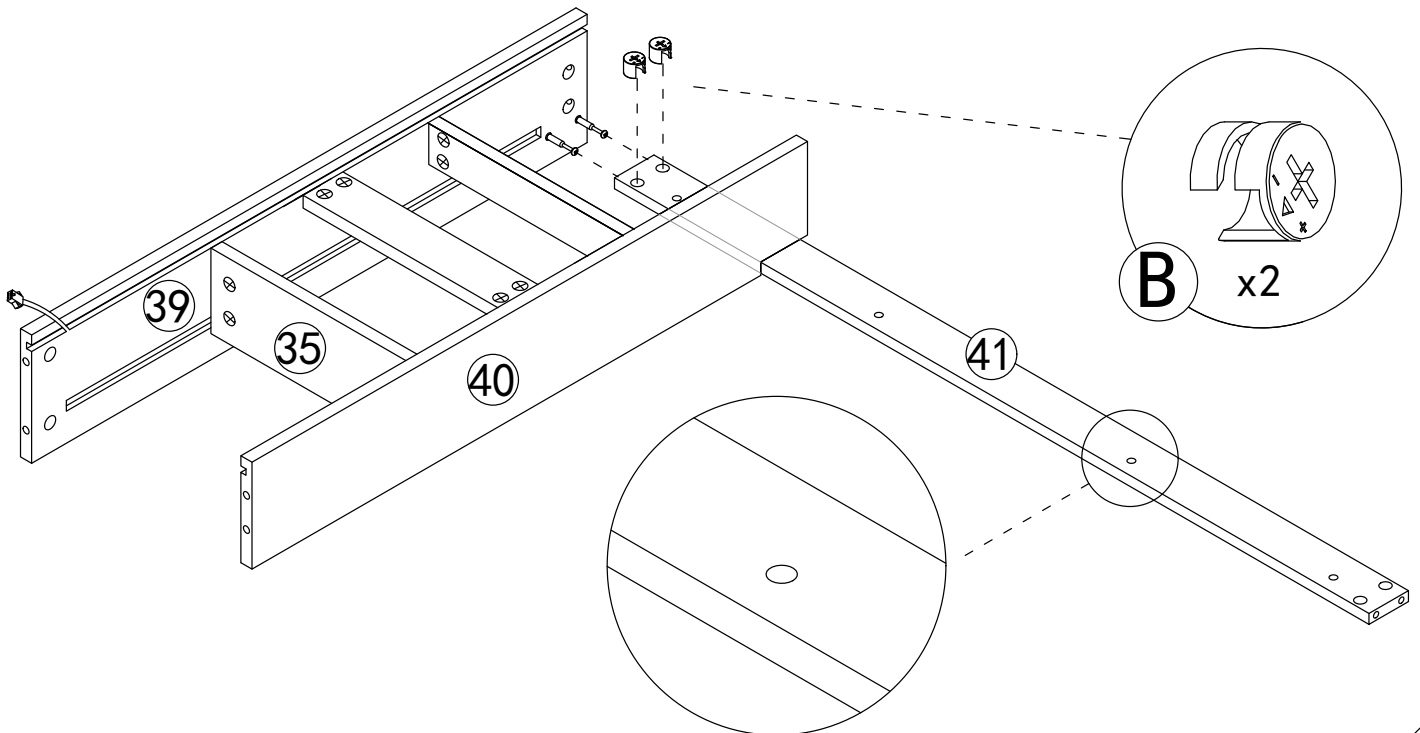
Step 84

B  x6



Step 85

B  x2



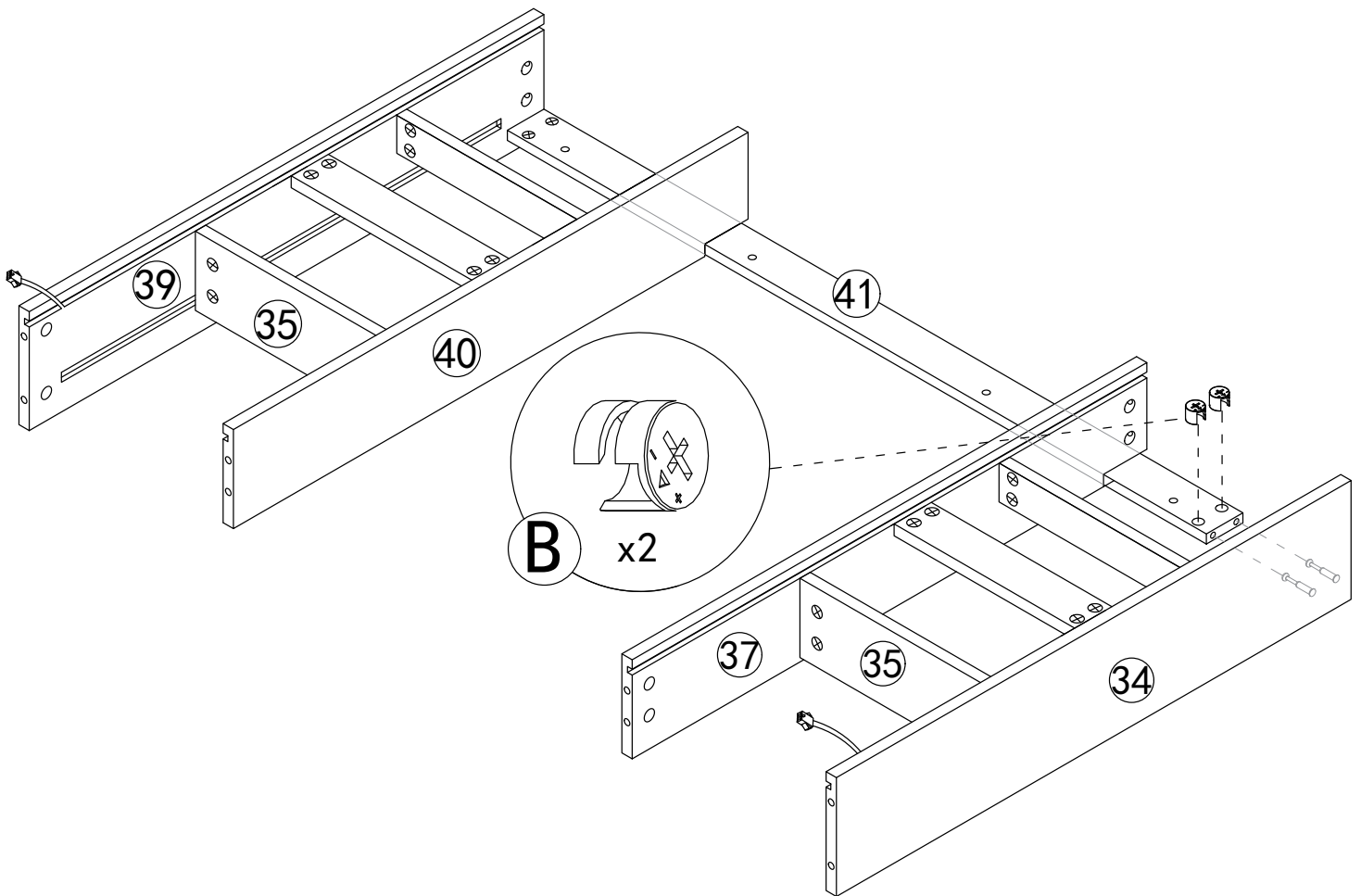
Note that this hole is closer to the bottom

Step 86

B



x2



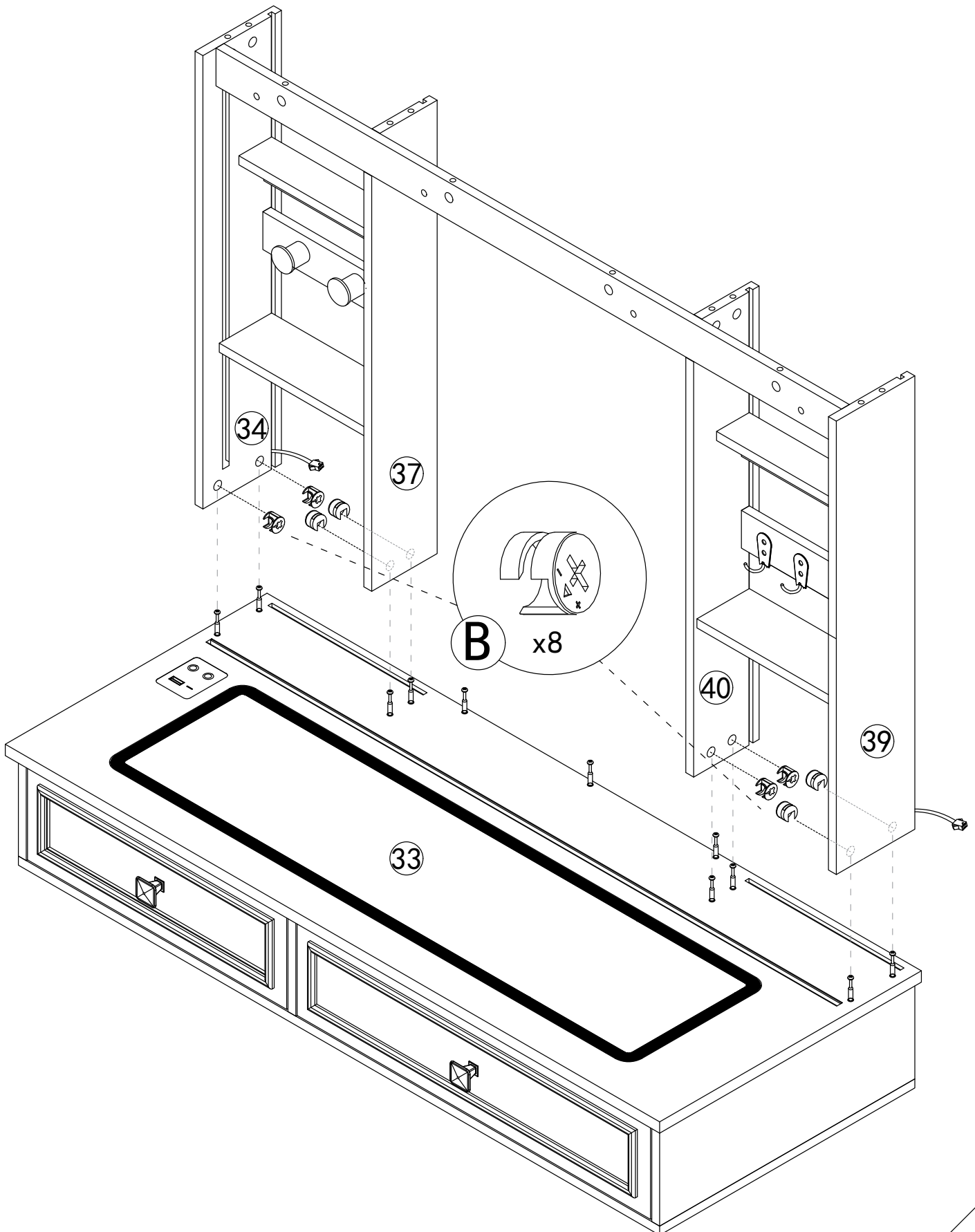
It is recommended that two people work together to install the structural wood panels.

Step 87

B



x8



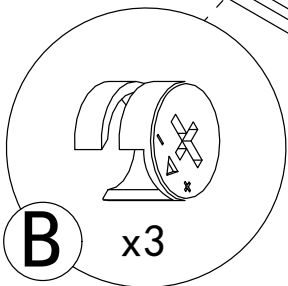
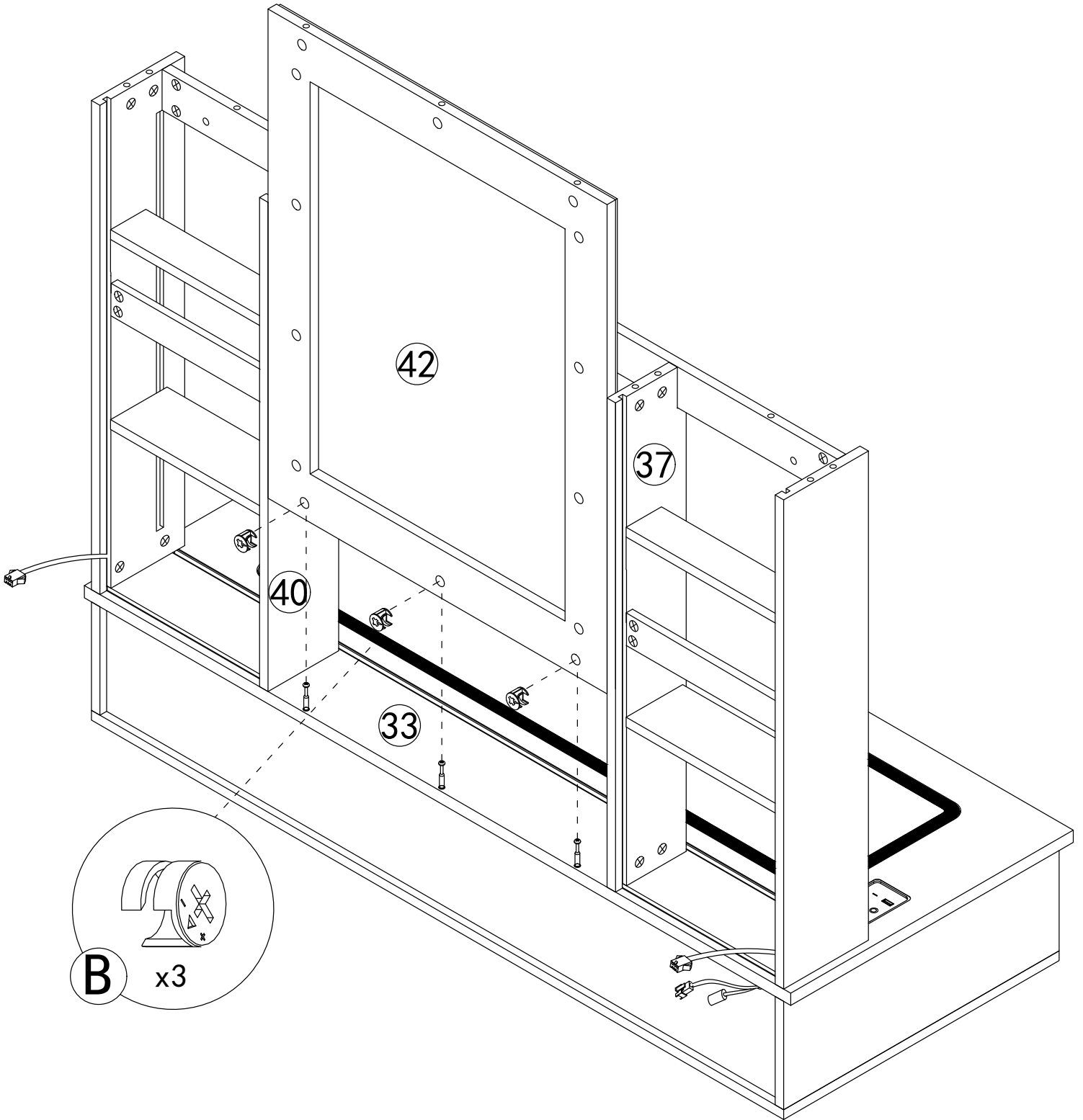
It is recommended that two people work together to install the structural wood panels.

Step 88

B



x3

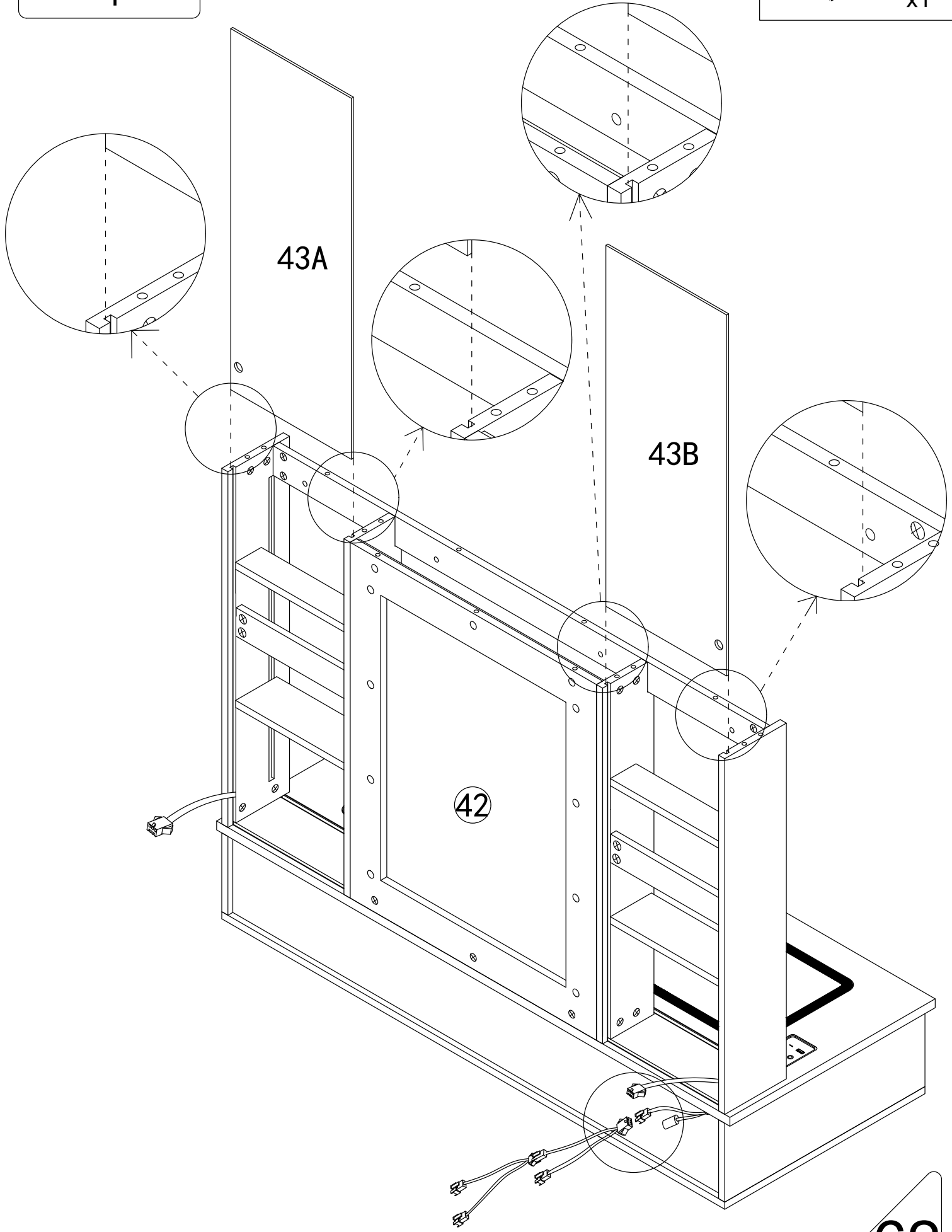
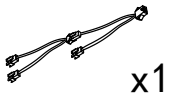


B

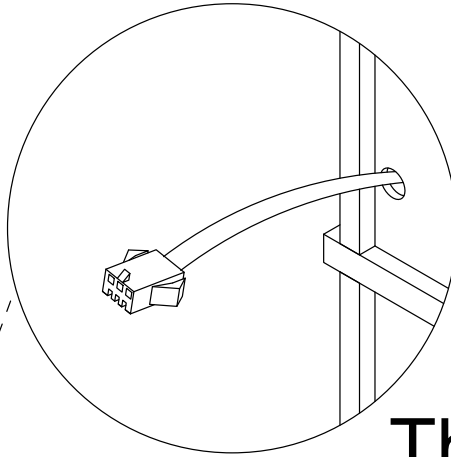
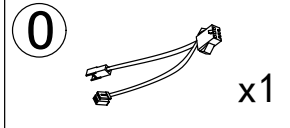
x3

Step 89

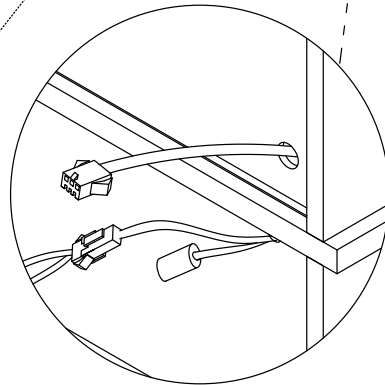
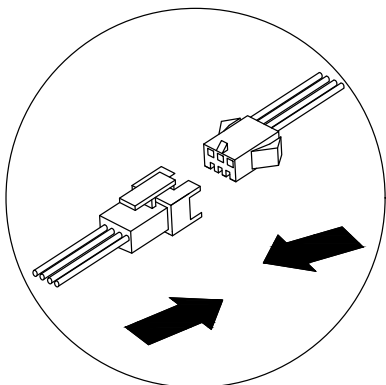
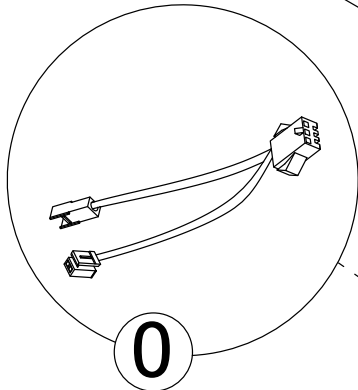
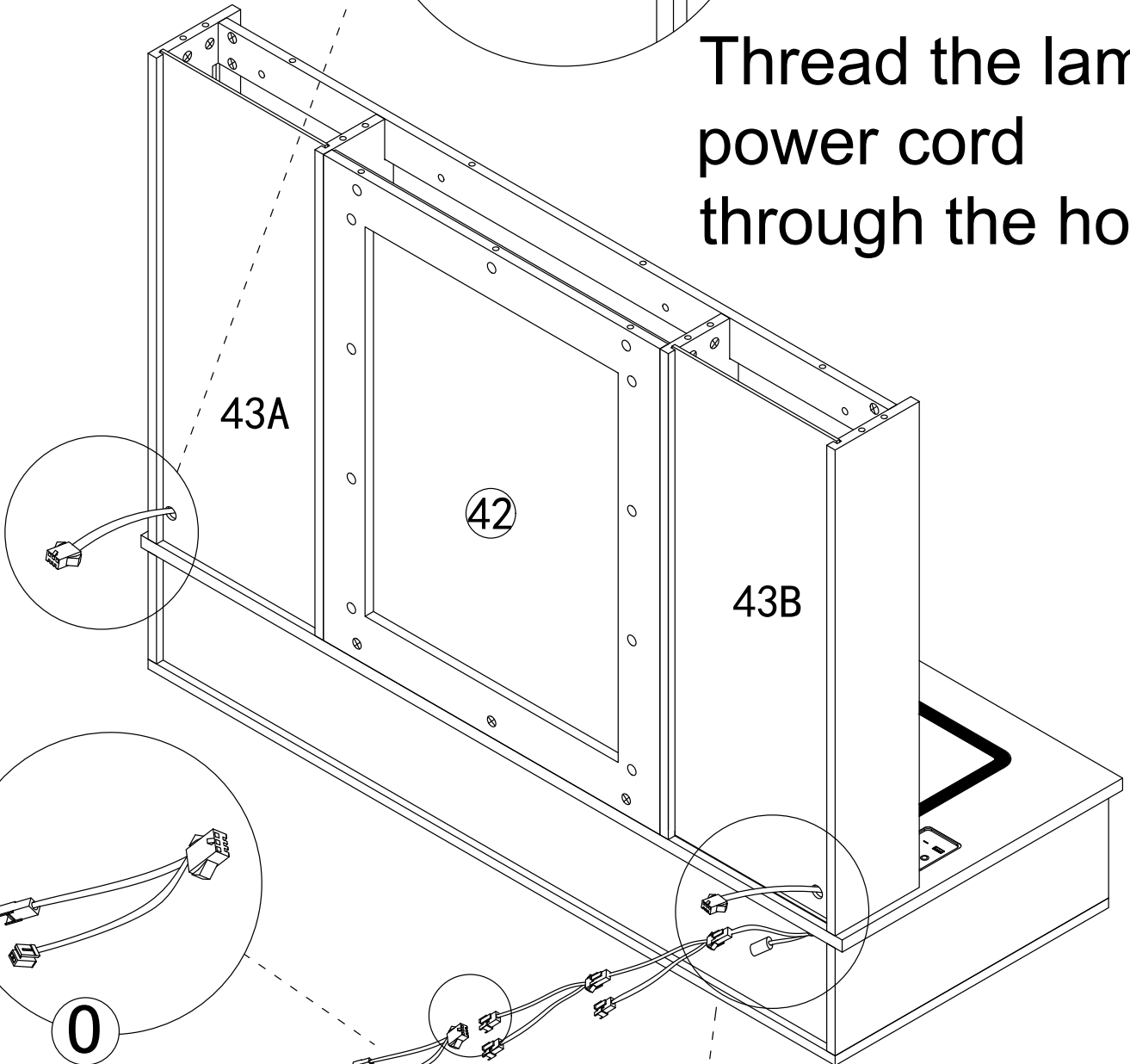
F



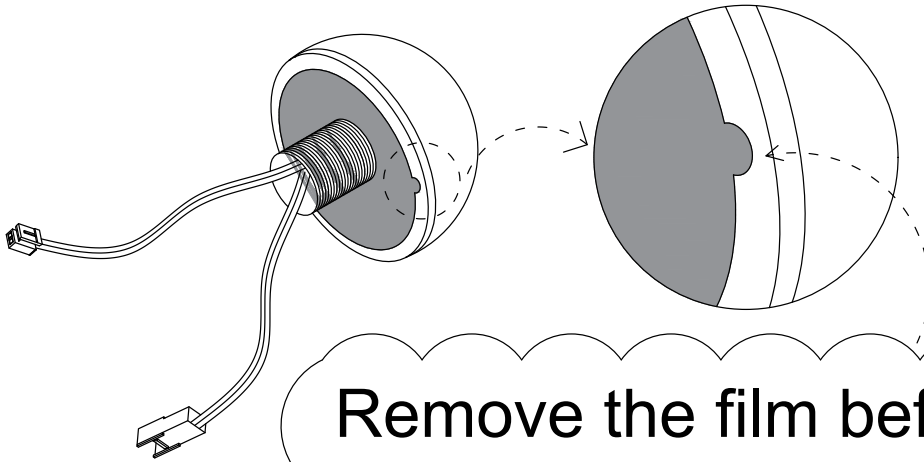
Step 90



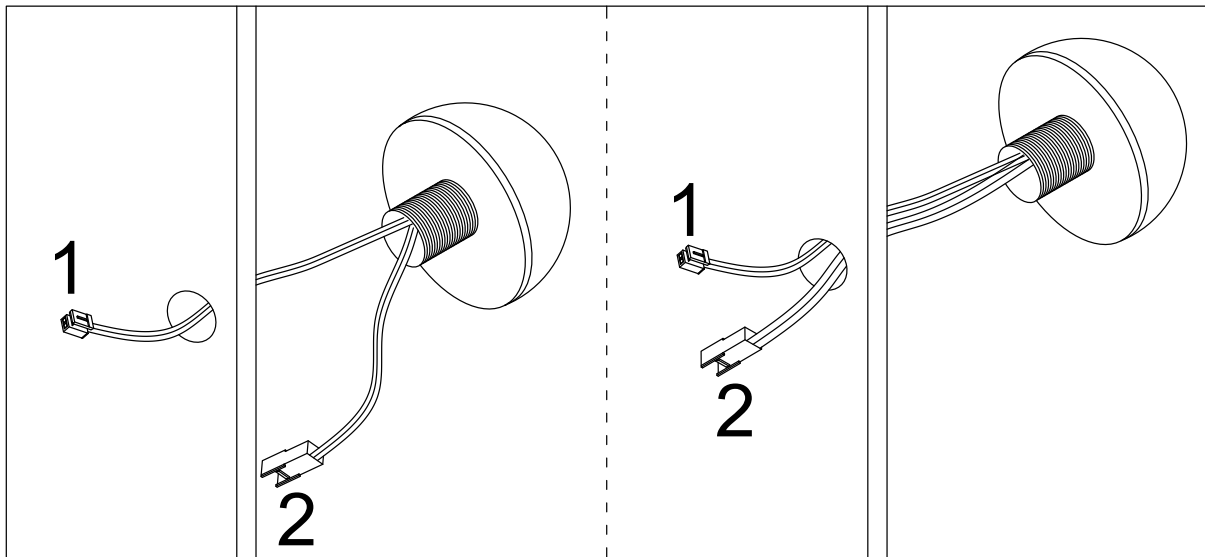
Thread the lamp power cord through the hole



Step 91

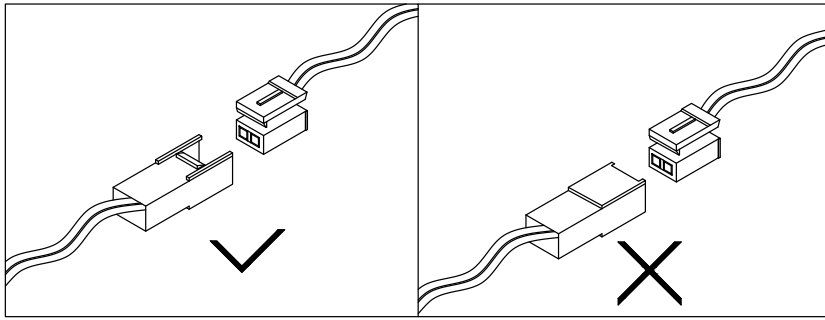
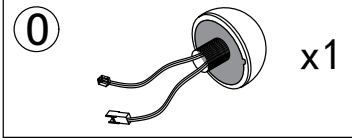


Remove the film before installation

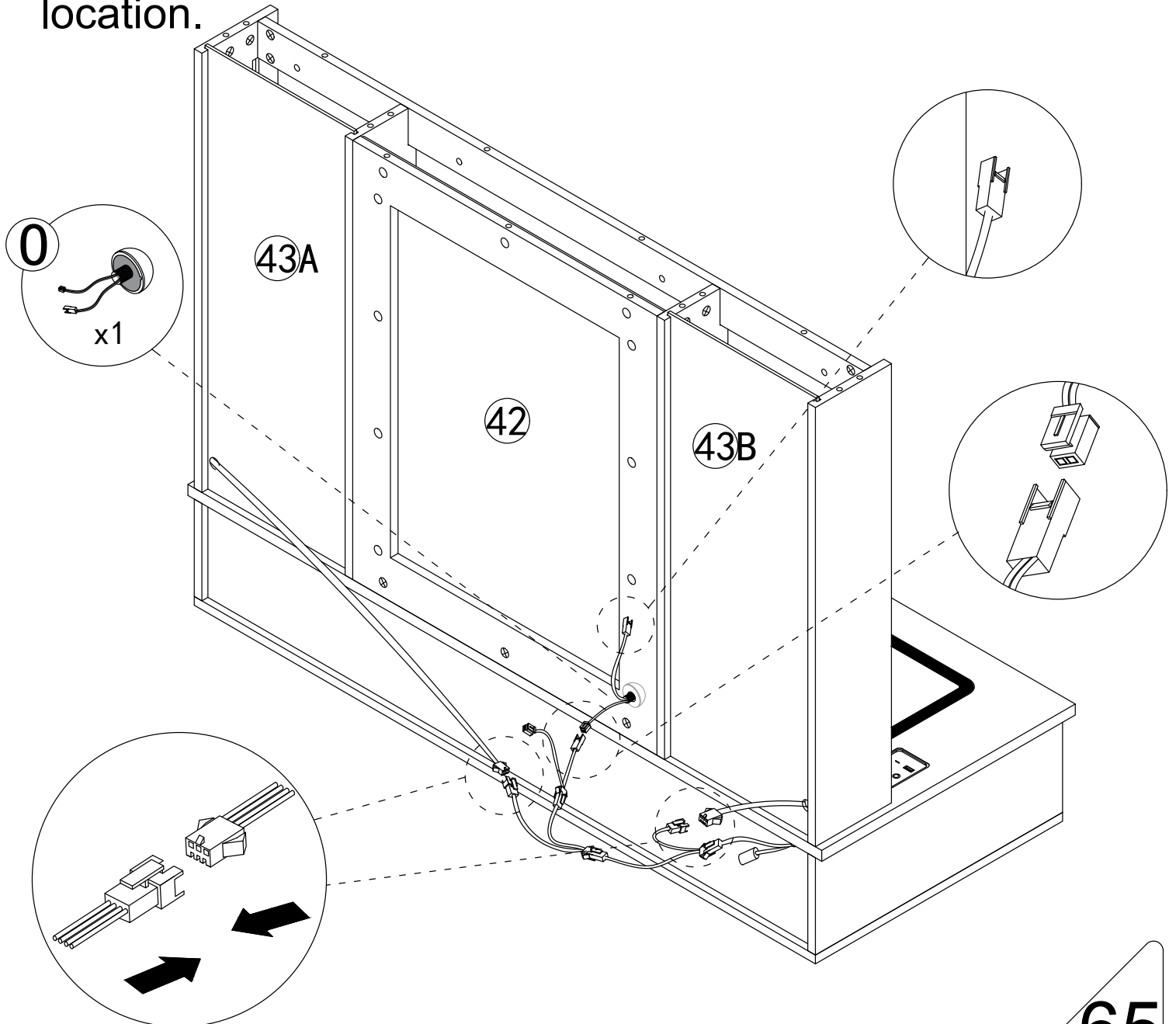


Make sure that you insert 2 cables on bulb through prepared holes on board, suggest to insert once a time.

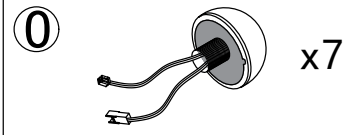
Step 92



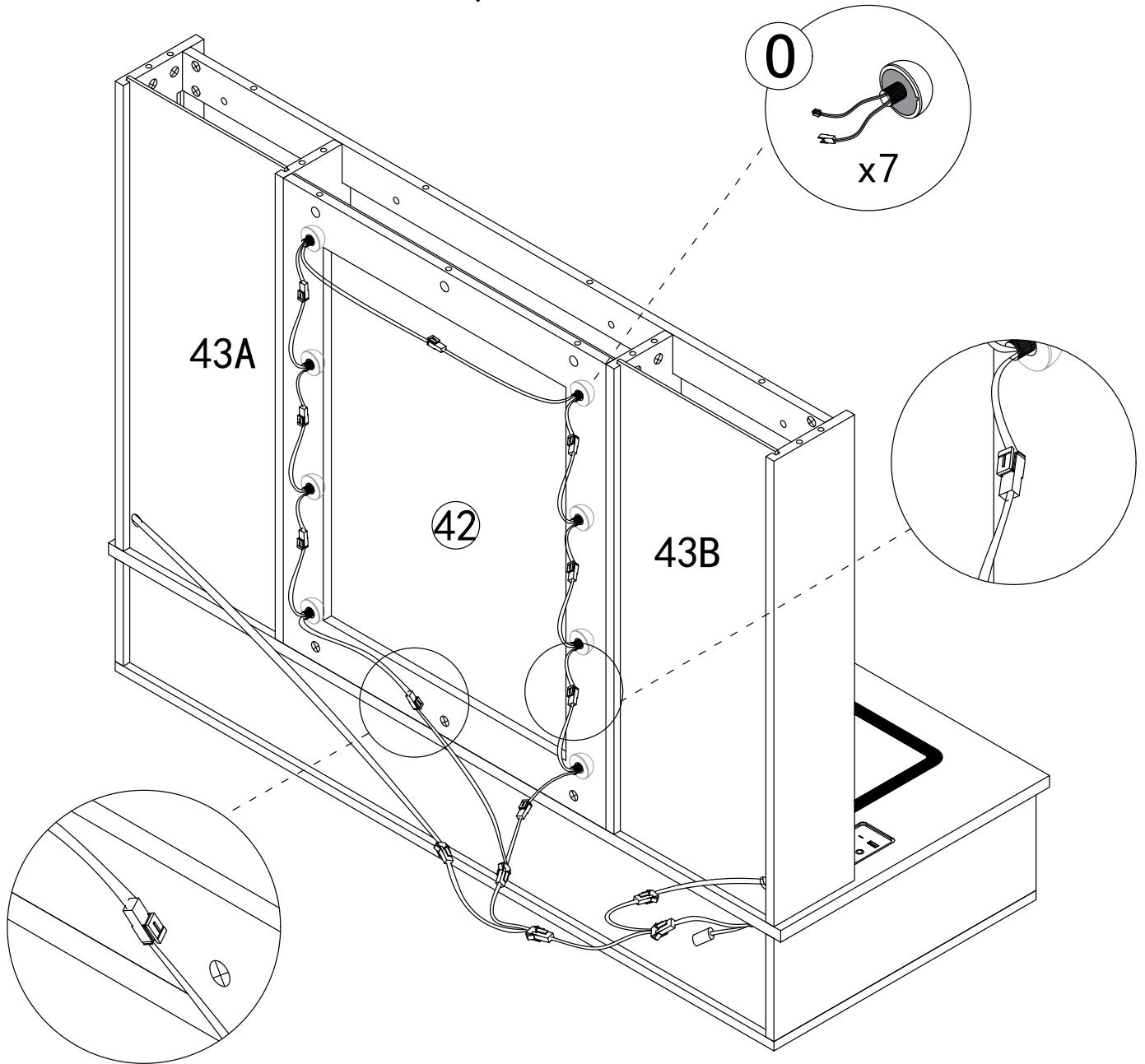
In case of miswiring, make sure you connect the first bulb with switch. Please note that starter bulb could be either side of the board, depends on your nearest socket location.



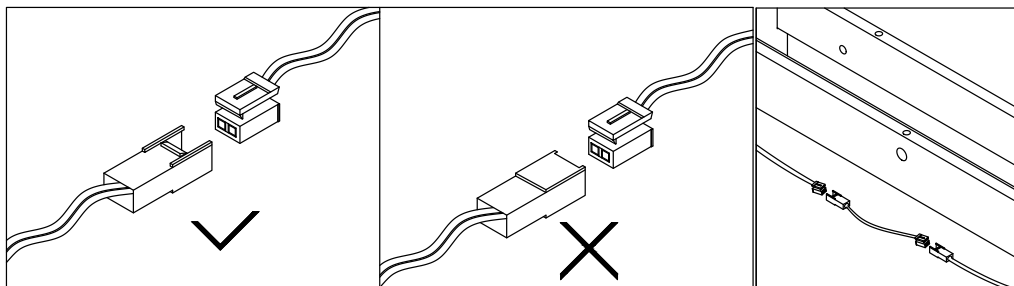
Step 93



From the first bulb, connect all bulbs in turn

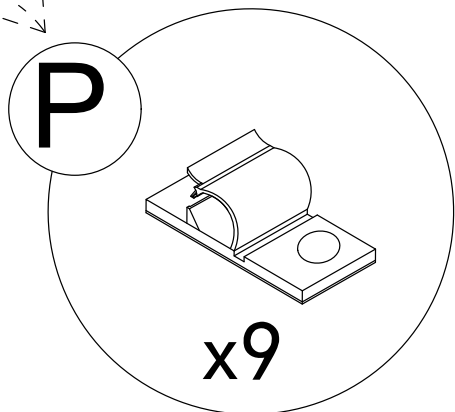
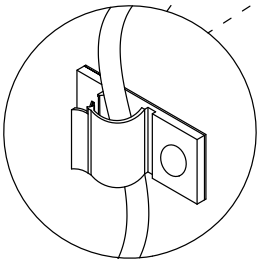
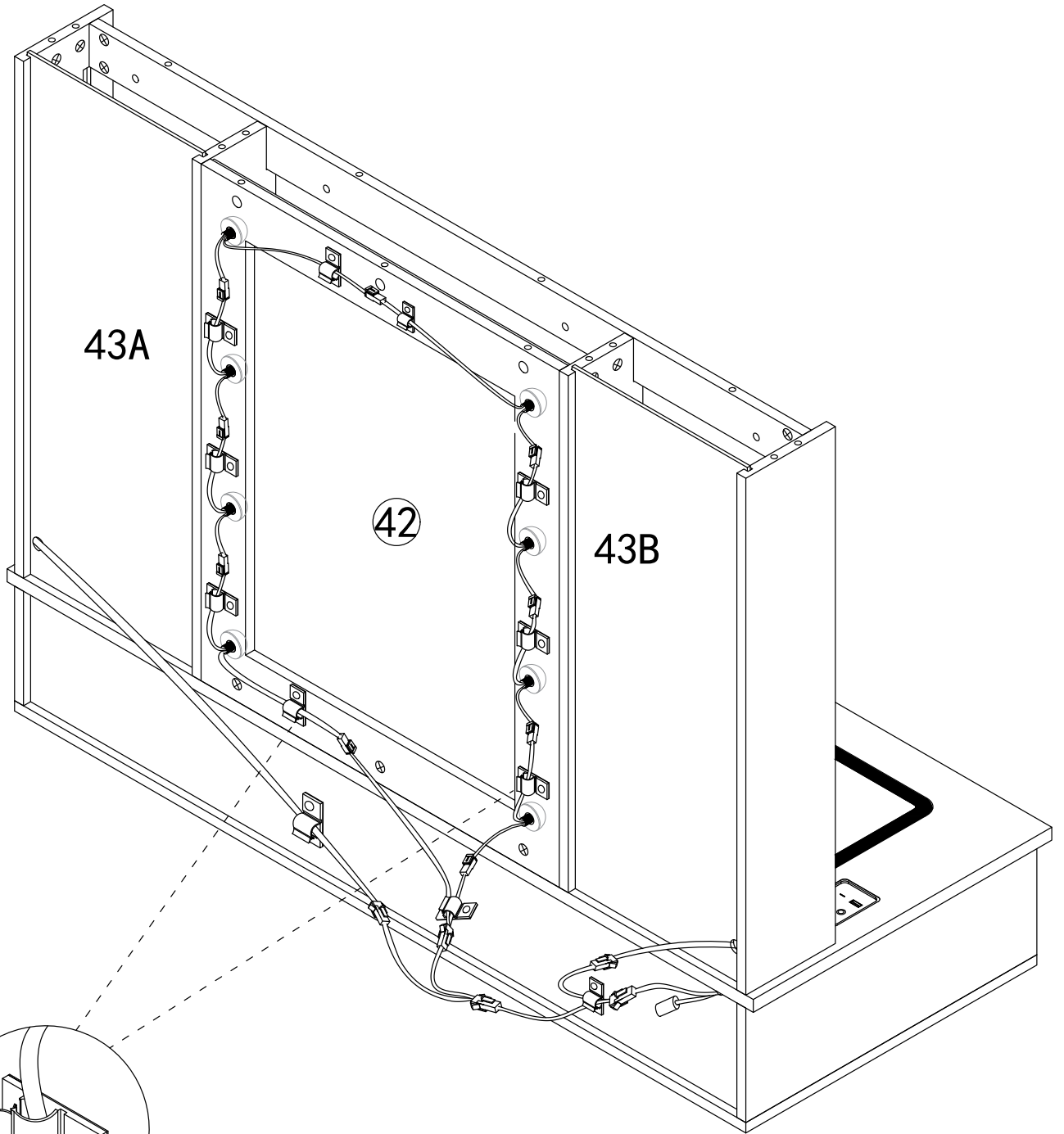
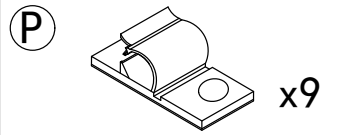


Please note that connection between each bulbs should be like LEFT status. Any connection like right image might be result of defection. For you own safety, check all connection in this step.



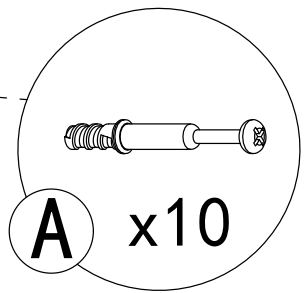
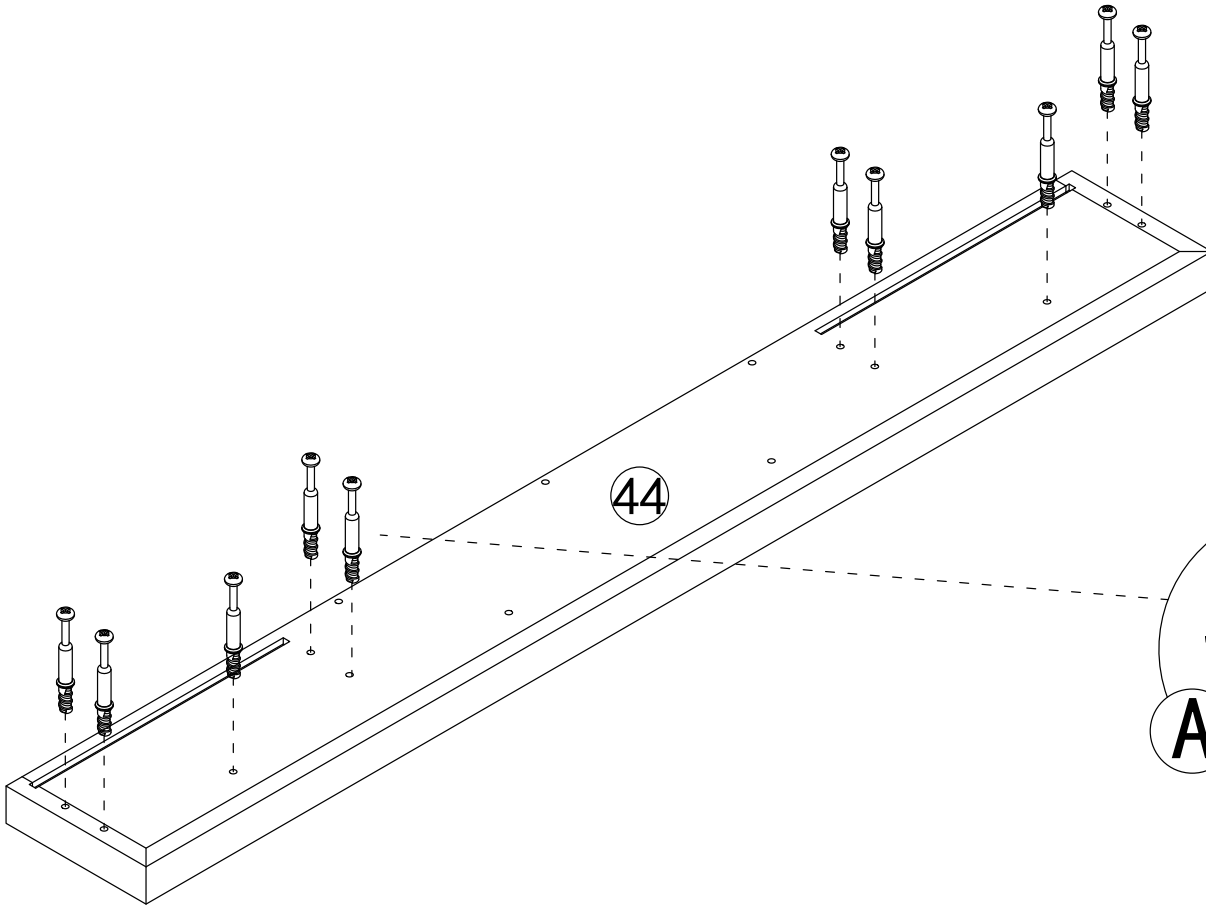
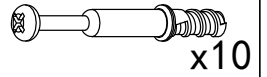
The top light bulb connection needs to use the connection line

Step 94



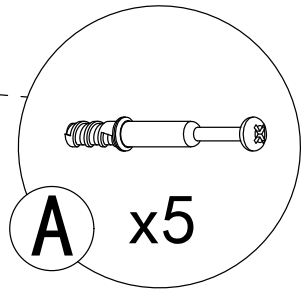
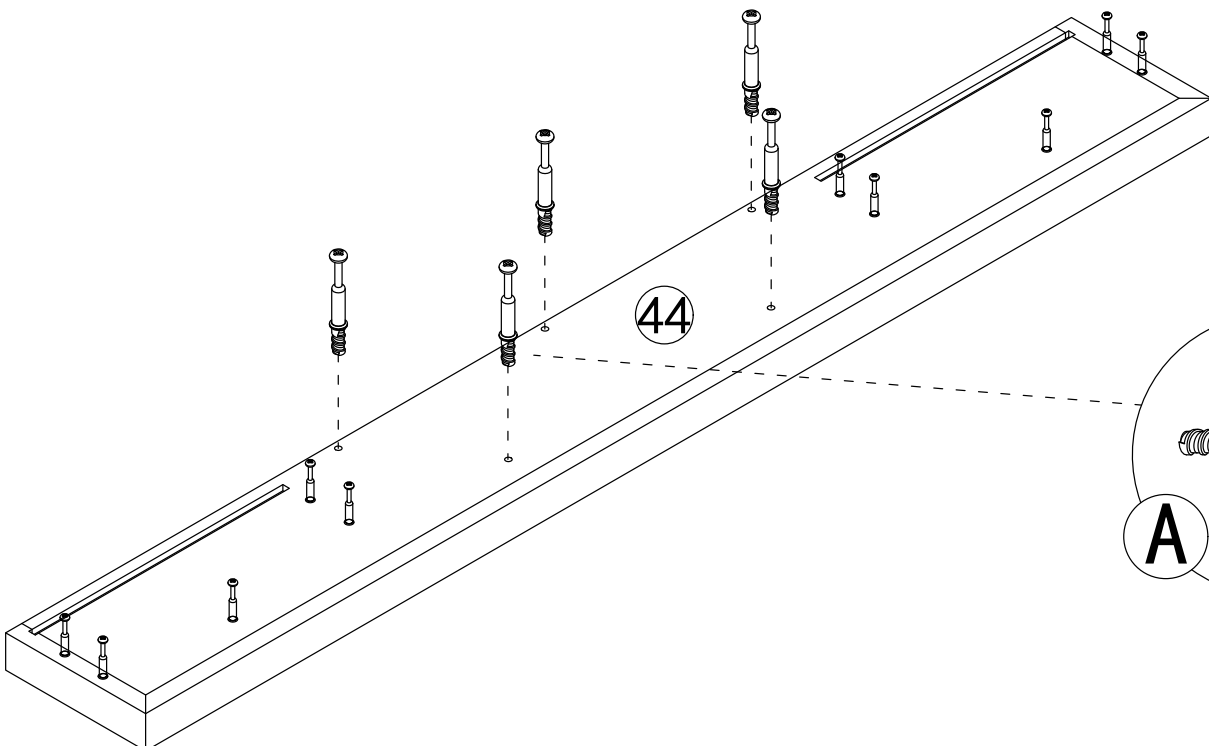
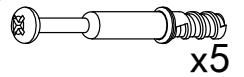
Step 95

A



Step 96

A

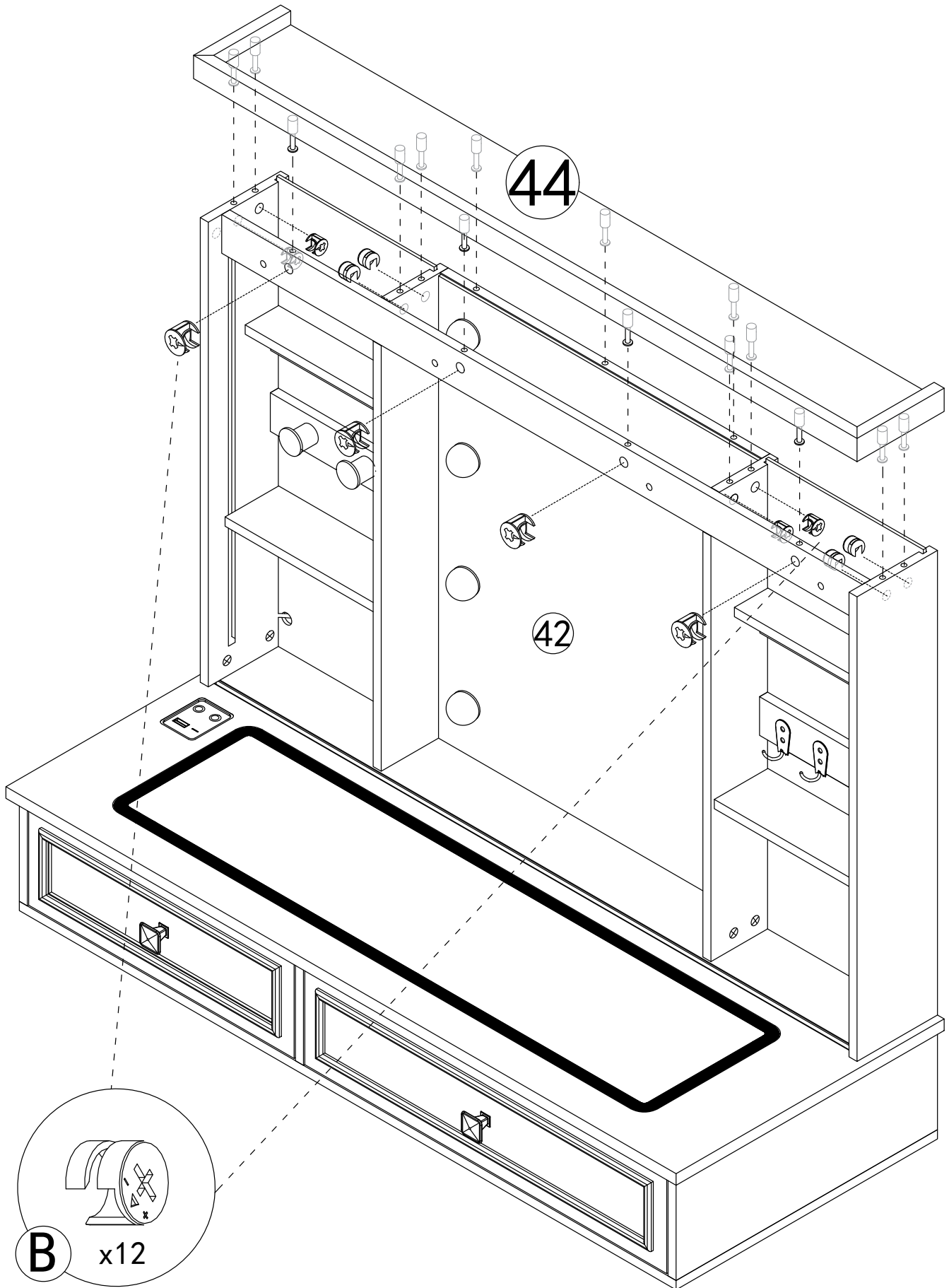


Step 97

B

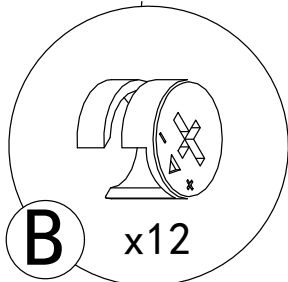


x12



44

42



B

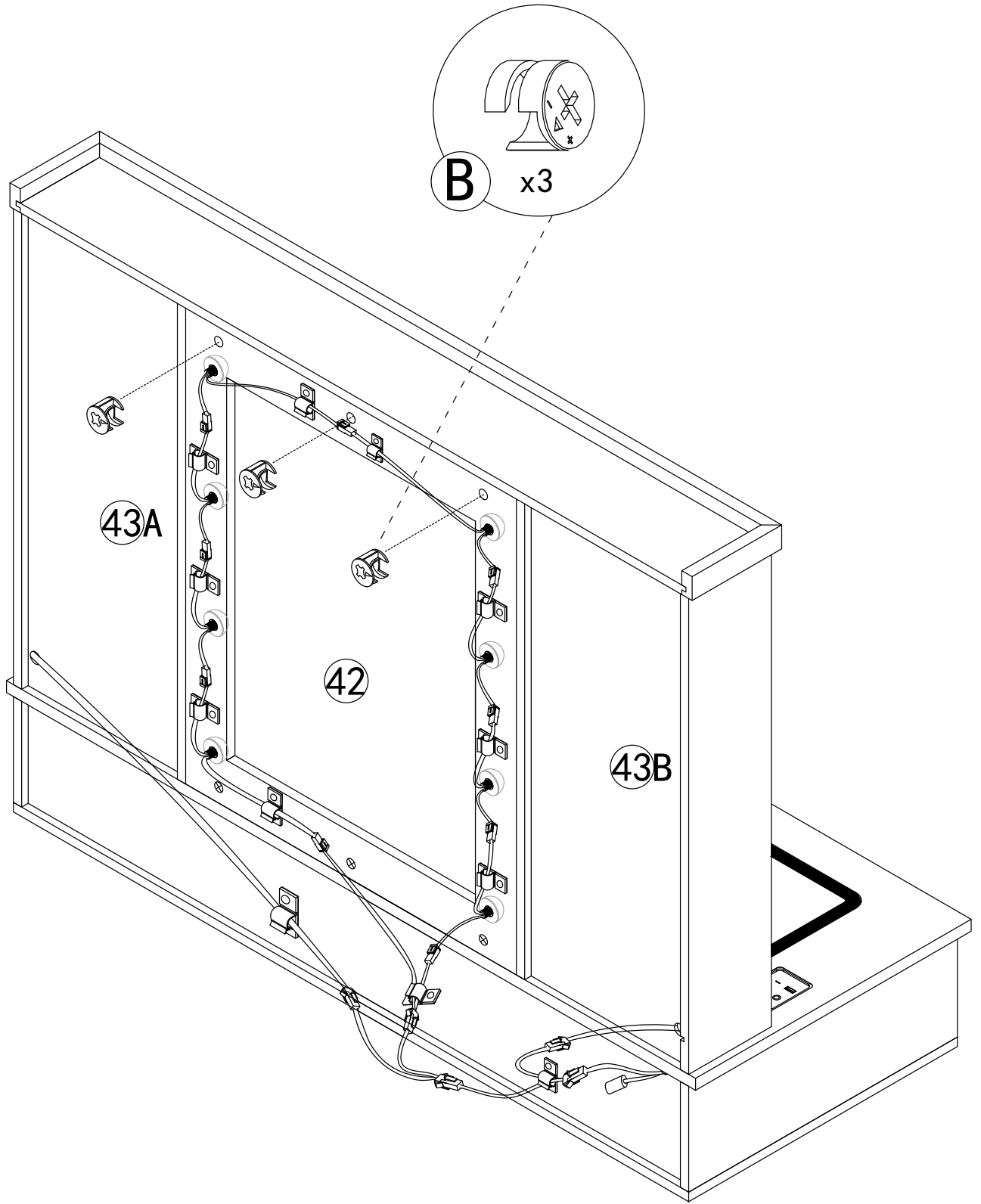
x12

Step 98

B

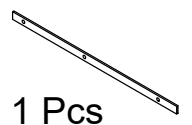


x3



Step 99

Q



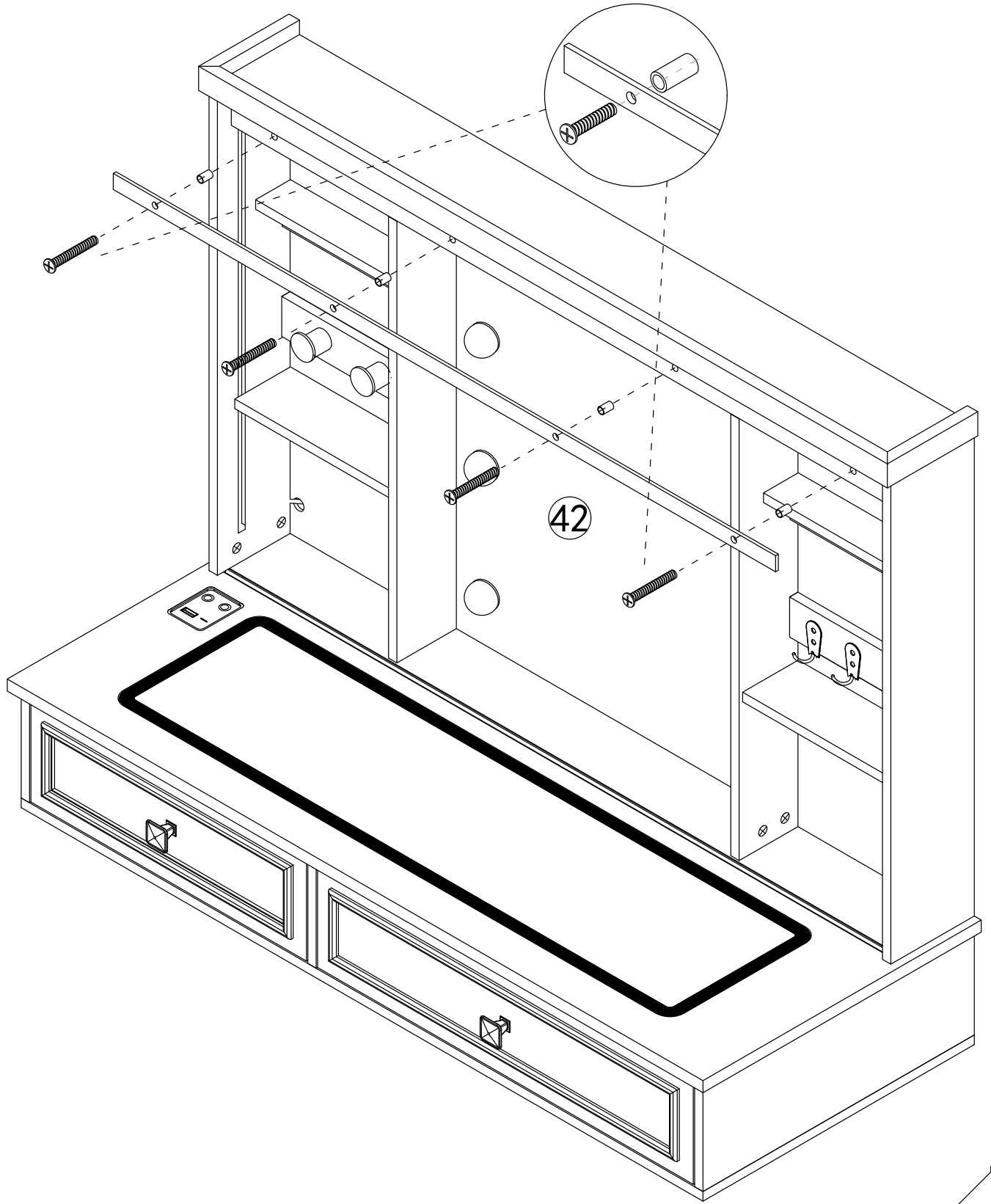
1 Pcs

R



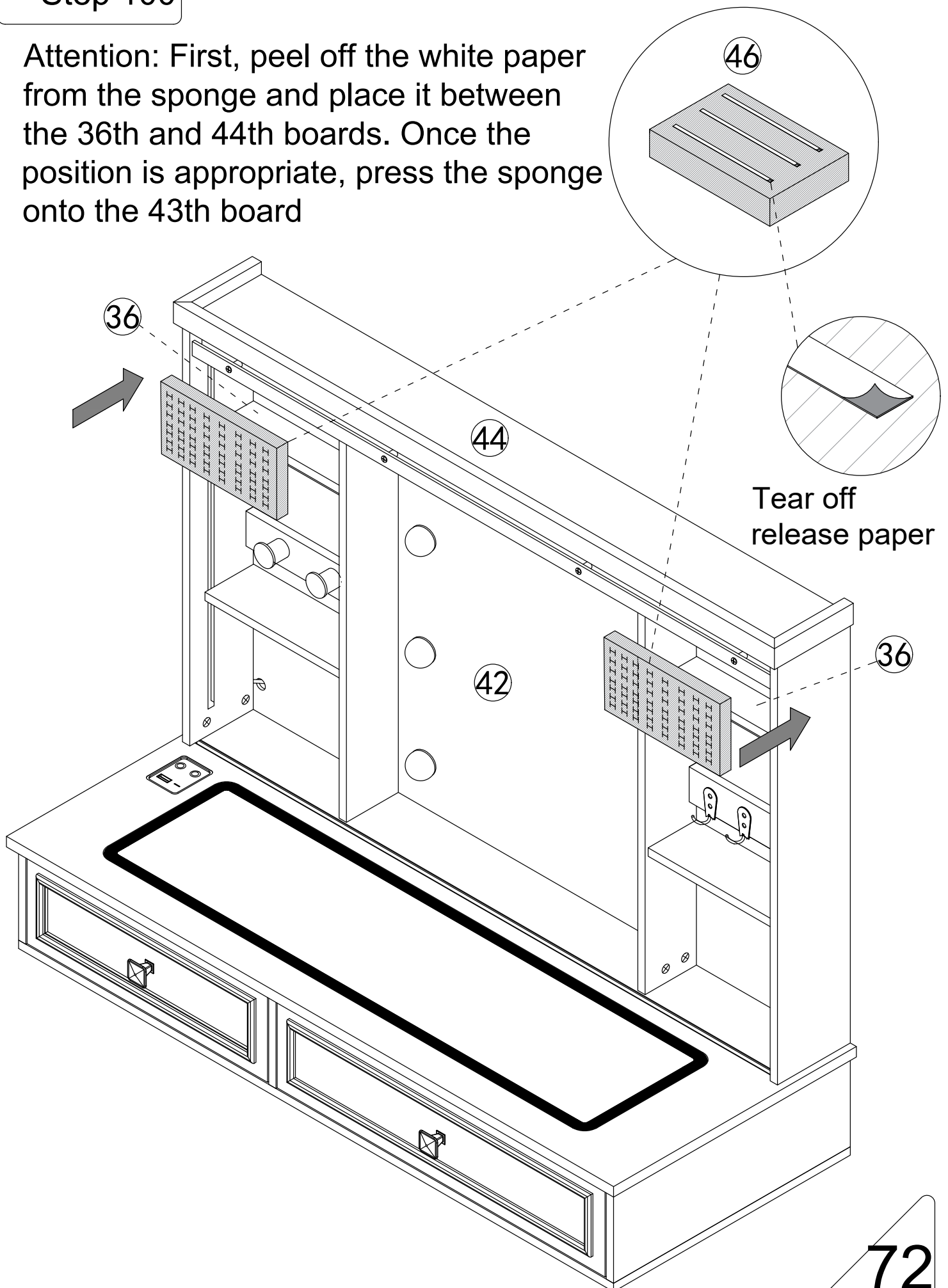
4 Pcs

The screw is threaded through the iron guide rail, then through the iron pipe, and then installed in place

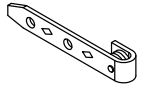


Step 100

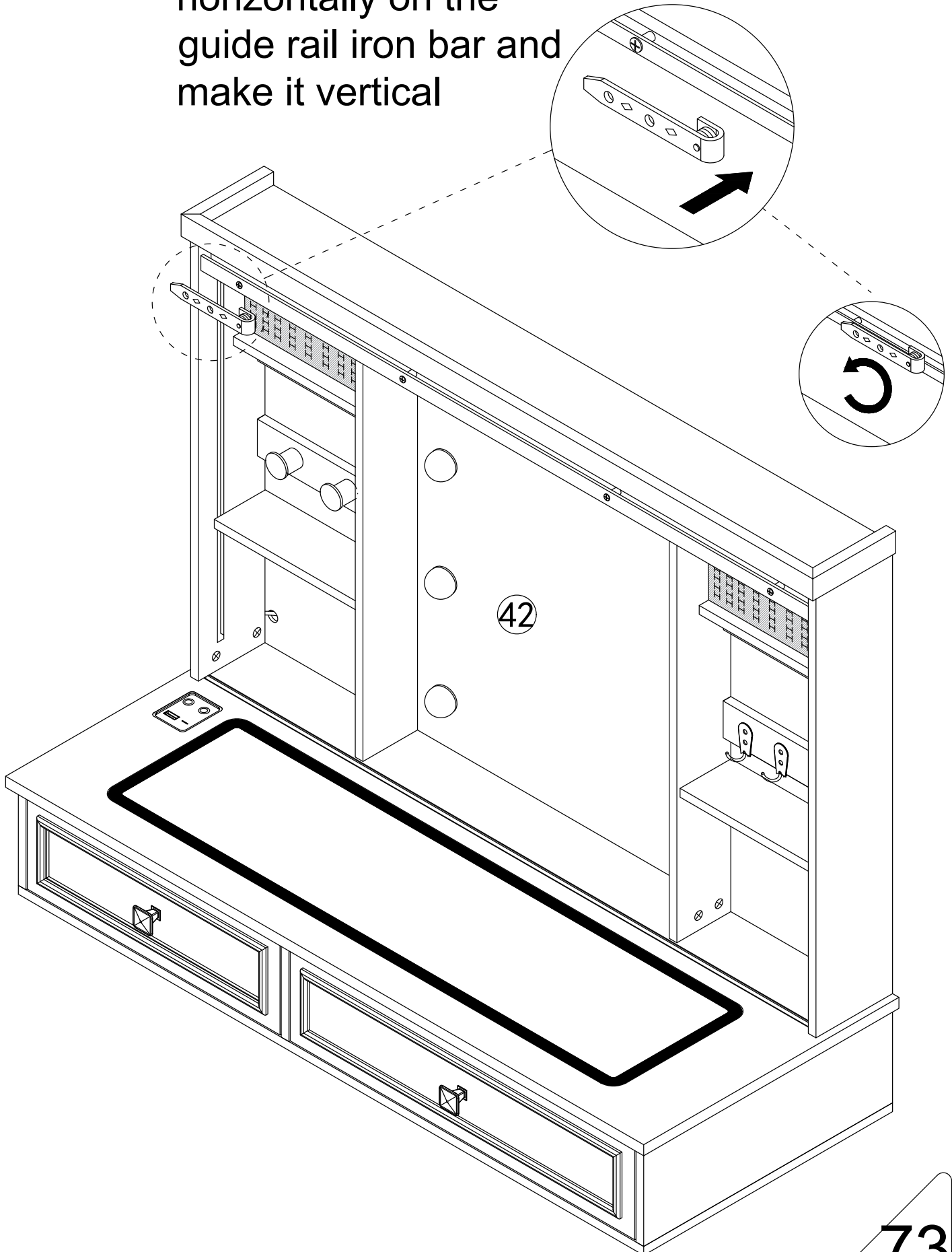
Attention: First, peel off the white paper from the sponge and place it between the 36th and 44th boards. Once the position is appropriate, press the sponge onto the 43rd board



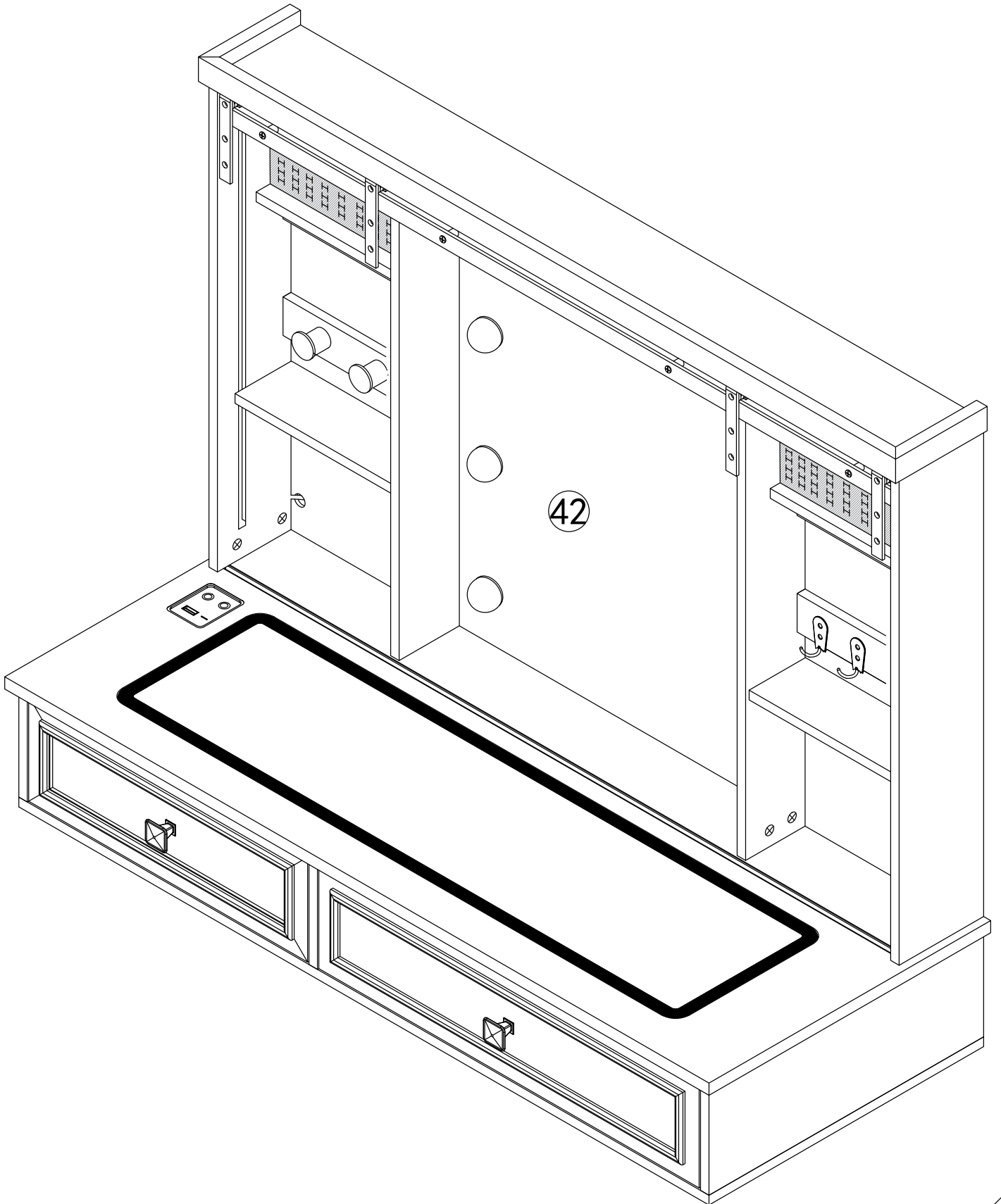
Step 101

(R)  x4

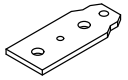
Hang the guide rail hook horizontally on the guide rail iron bar and make it vertical



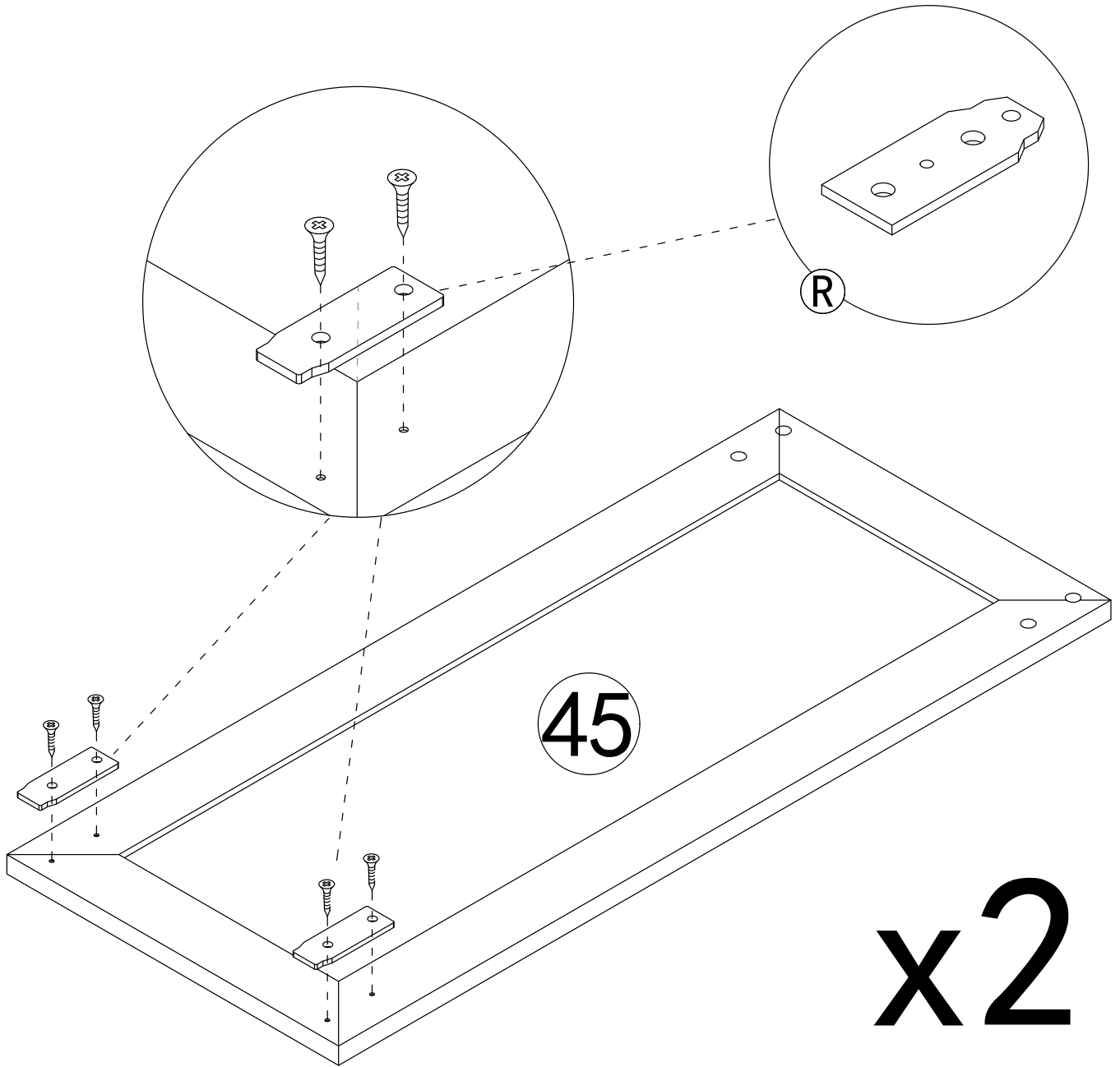
Note



Step 102

(R)  x4

(S)  x8



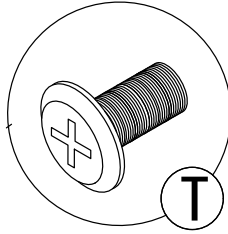
x2

Step 103

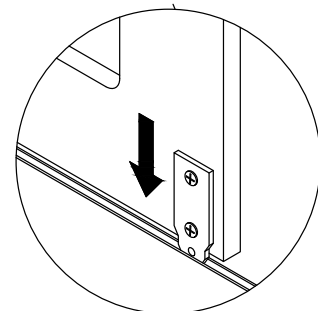
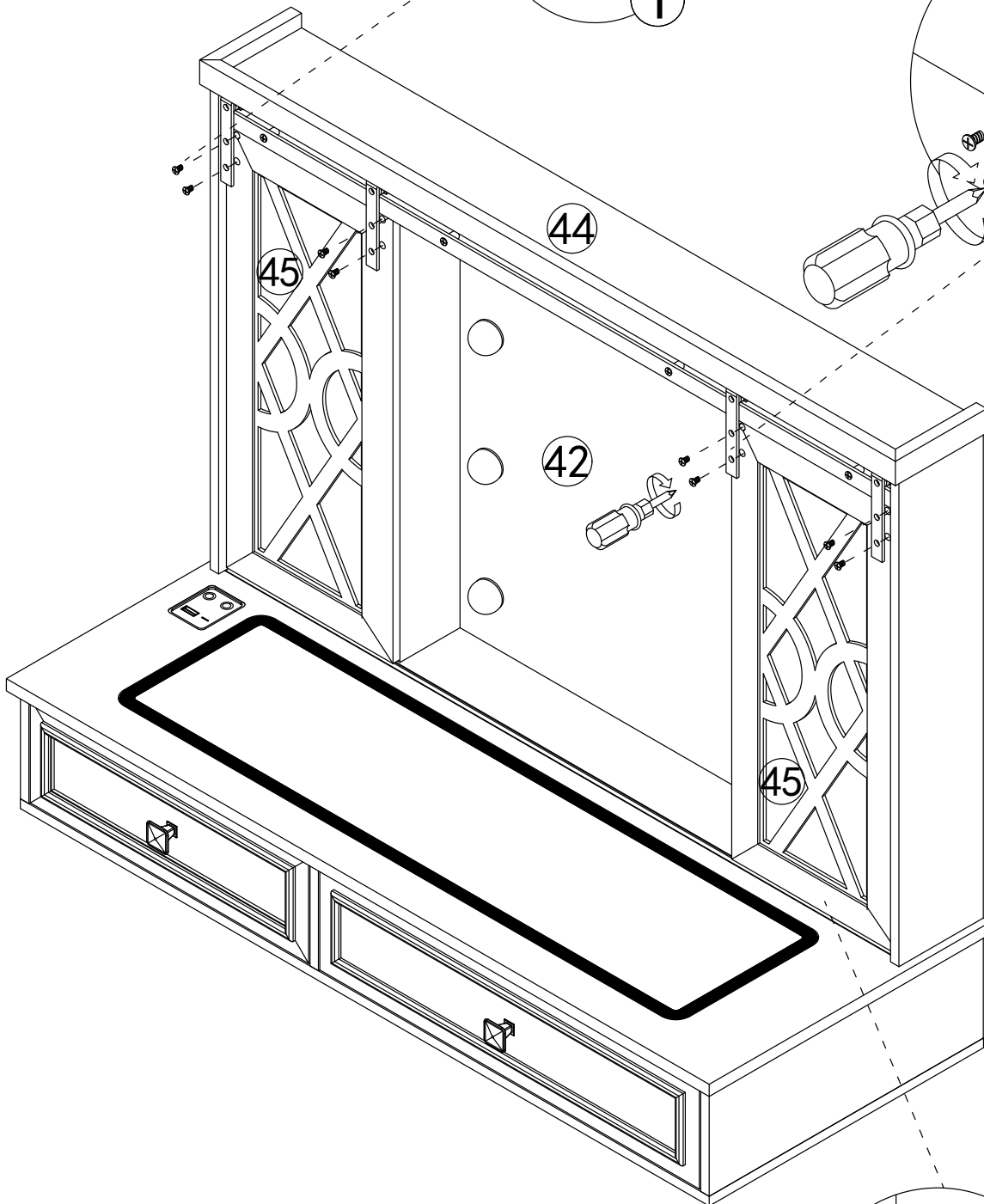
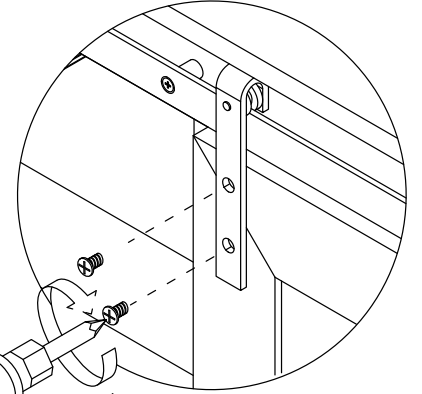
T



x8



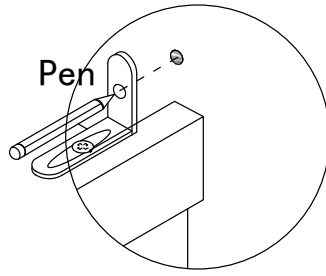
T



Insert the iron block
guide rail of the door
panel into the aluminum
groove

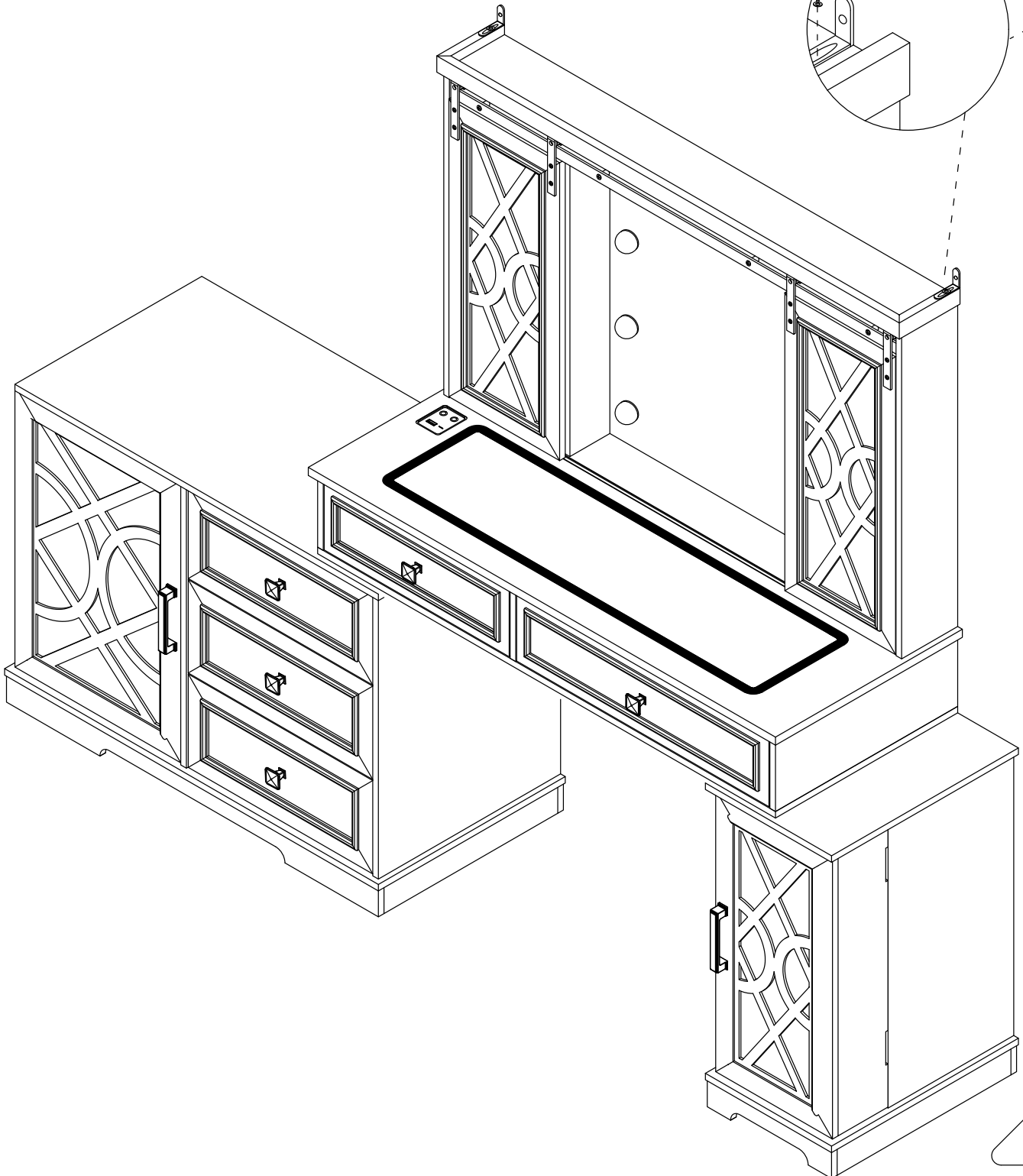
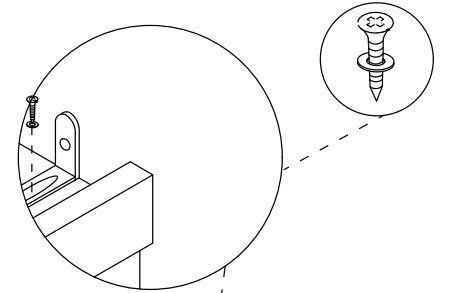
Step 104

- (X)
- x2
- x2
- x2

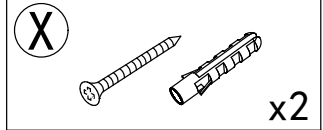


Install the anti fall hardware on the cabinet as shown in the picture first

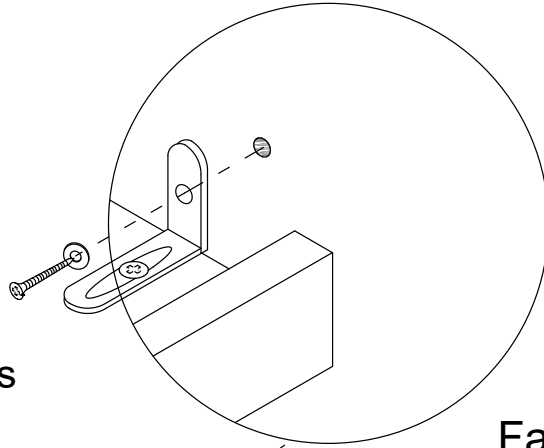
Then mark the wall with a pen through the holes in the anti-fall hardware



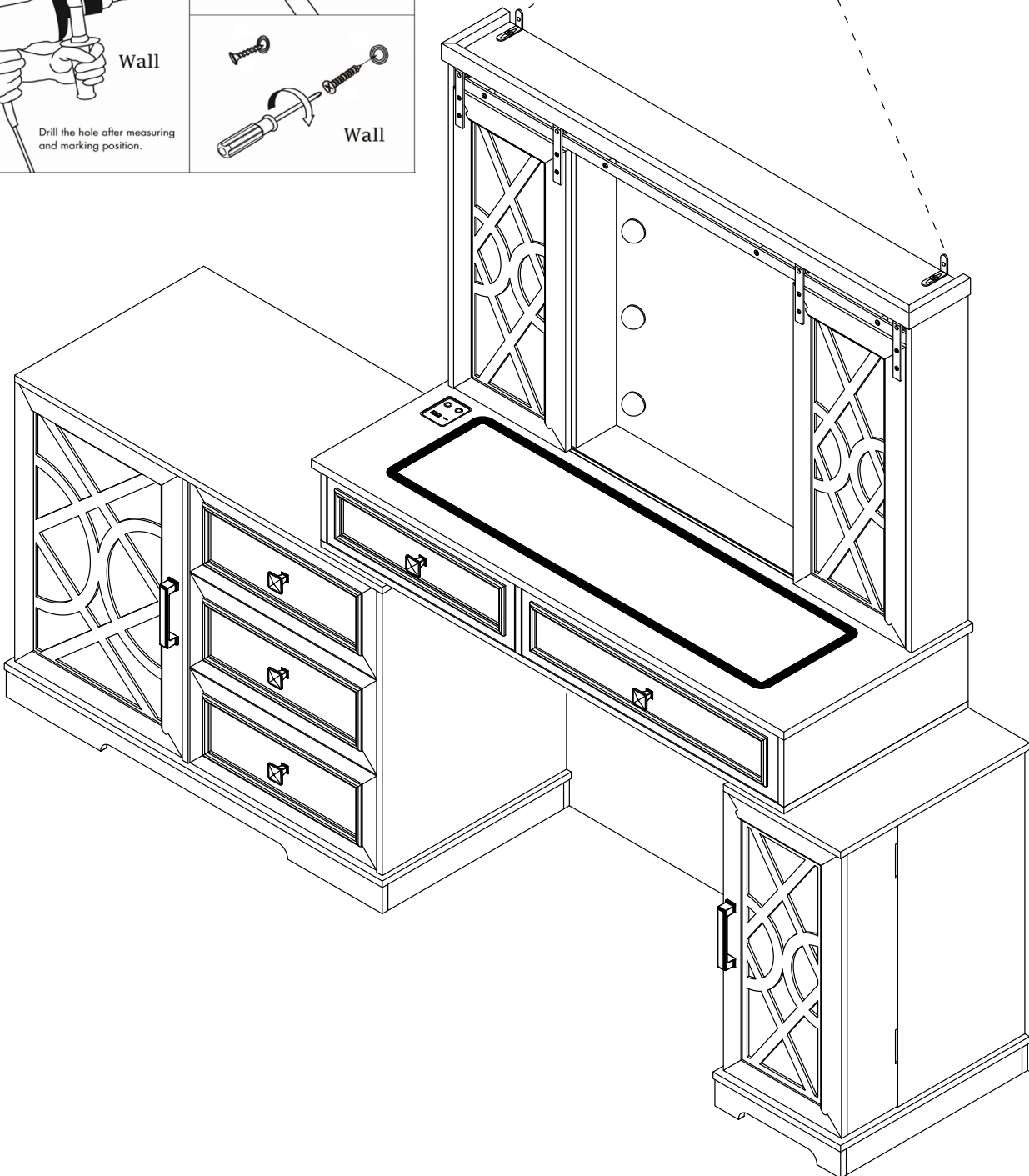
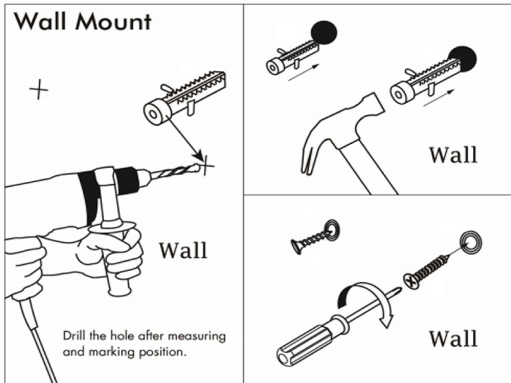
Step 105



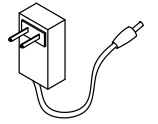
Drill the hole with an electric drill and punch in the colloidal particles



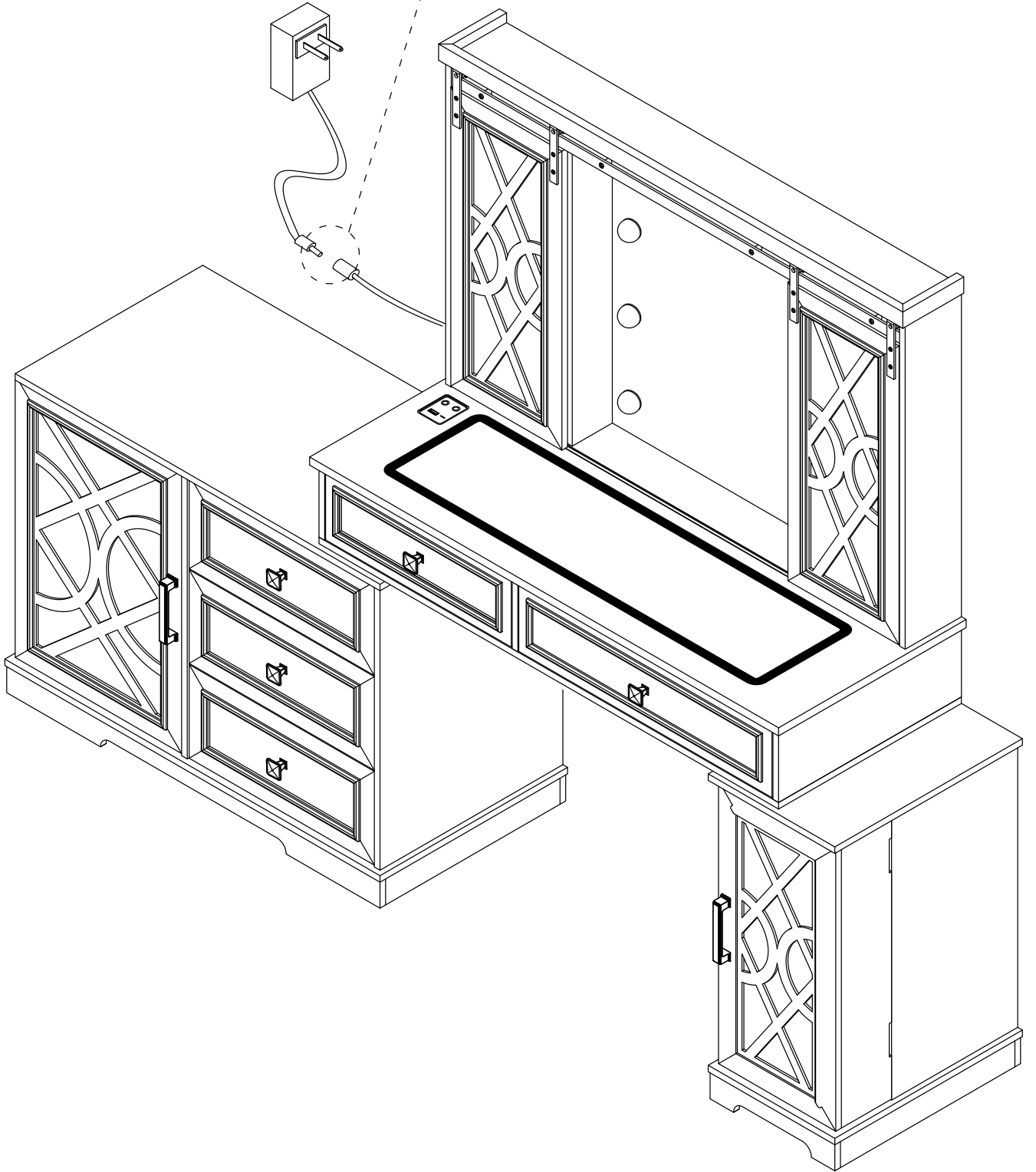
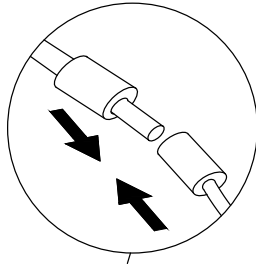
Fasten the cabinet to the wall



Step 106



x1



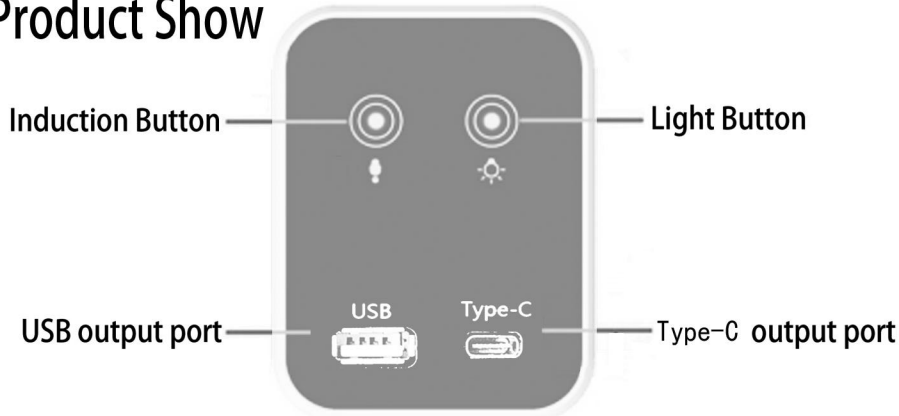
User's Guide

Thank you for purchasing this product. To use this product, please plug it into a 12V DC power supply. Please use if the product works normally after connecting to power.

Introduction

The box is an intelligent controller. It has 1 USB port and 1 type-C port and can distribute the current output up to 5V DC-2A. With 2 touch buttons, it can turn ON/OFF the light, change light colors, and adjust the light luminance.

Product Show



ATTENTION PLEASE

1. If there is no touch response suddenly, Re-plug the power to reset the touch static electricity.
2. If bubbles appear on the panel, remove the protective film.

Operation



This touch button is used to turn on/off, change colors, and adjust brightness.

A. Short touch -> lighting on -> short touch -> change light color -> short touch -> change light color -> short touch -> lighting off. B. Long touch -> adjust the luminance



This touch button is used to turn on/off the induction function.

A. Short touch to turn on the induction function. It can auto-turn on the light when people are close to the controller in 1 meters. It can auto power off the light when the body is far away from the controller after 30 seconds.

B. Long touch to turn off the induction function.

C. Note: When you touch the light button to change the light modes, the induction function will automatically turn off. It is best to turn on this function after selecting the light color and adjusting the brightness you want.