

# **Installation Manual of Bed**

Full & Queen Size

## **Dear Valued Customer:**

Thank you for choosing our brand and purchasing our bed frame!

We are thrilled to have earned your trust and we want to ensure that you are completely satisfied with your purchase. To help you get the most out of your new bed frame, we would like to share some useful tips on cleaning and maintenance.

When cleaning your bed frame, we recommend using a soft, slightly moist cloth. Avoid using corrosive detergents, wire brushes, abrasive scourers, or any sharp metal objects as they may damage the product.

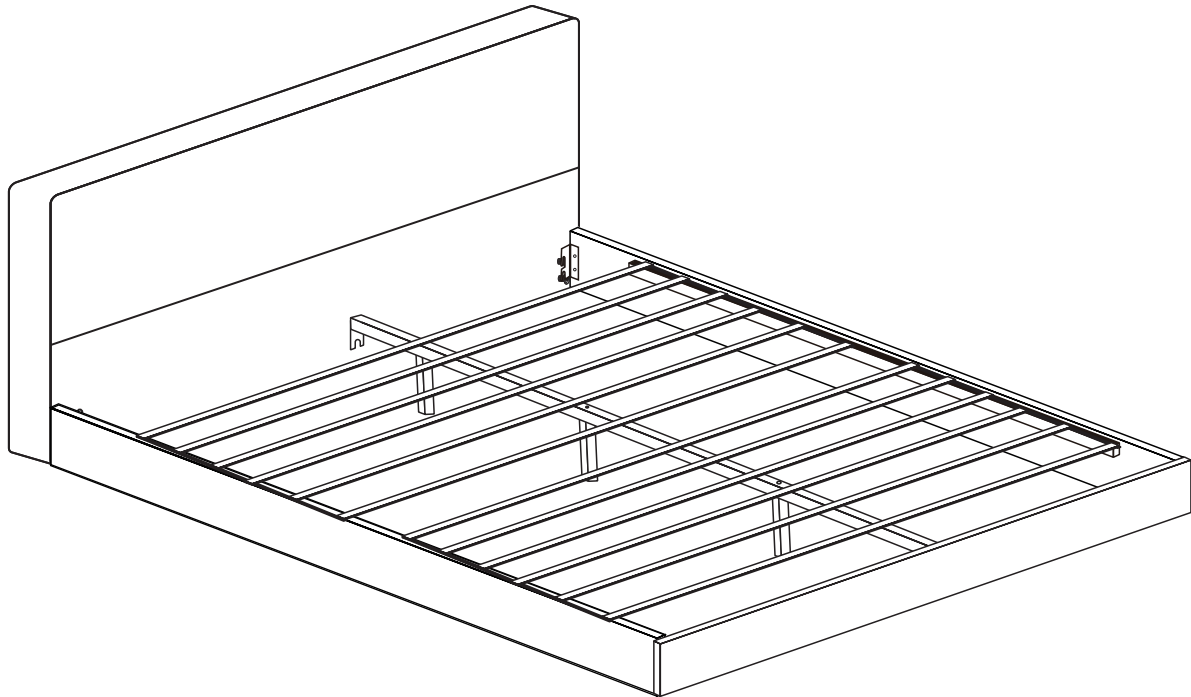
Additionally, we recommend checking the components of the bed frame regularly to ensure that all screws are tightened and the frame remains stable.

Installing the bed frame is a simple process. Please refer to the detailed instructions in the manual for step-by-step guidance.

Customer satisfaction is our top priority and we are committed to providing you with the best service and high-quality products. If you have any questions or concerns regarding your bed frame, please don't hesitate to contact our customer service team at email. We are here to help you and resolve any issues you may have. To solve your problem faster, please note the following information in the email.

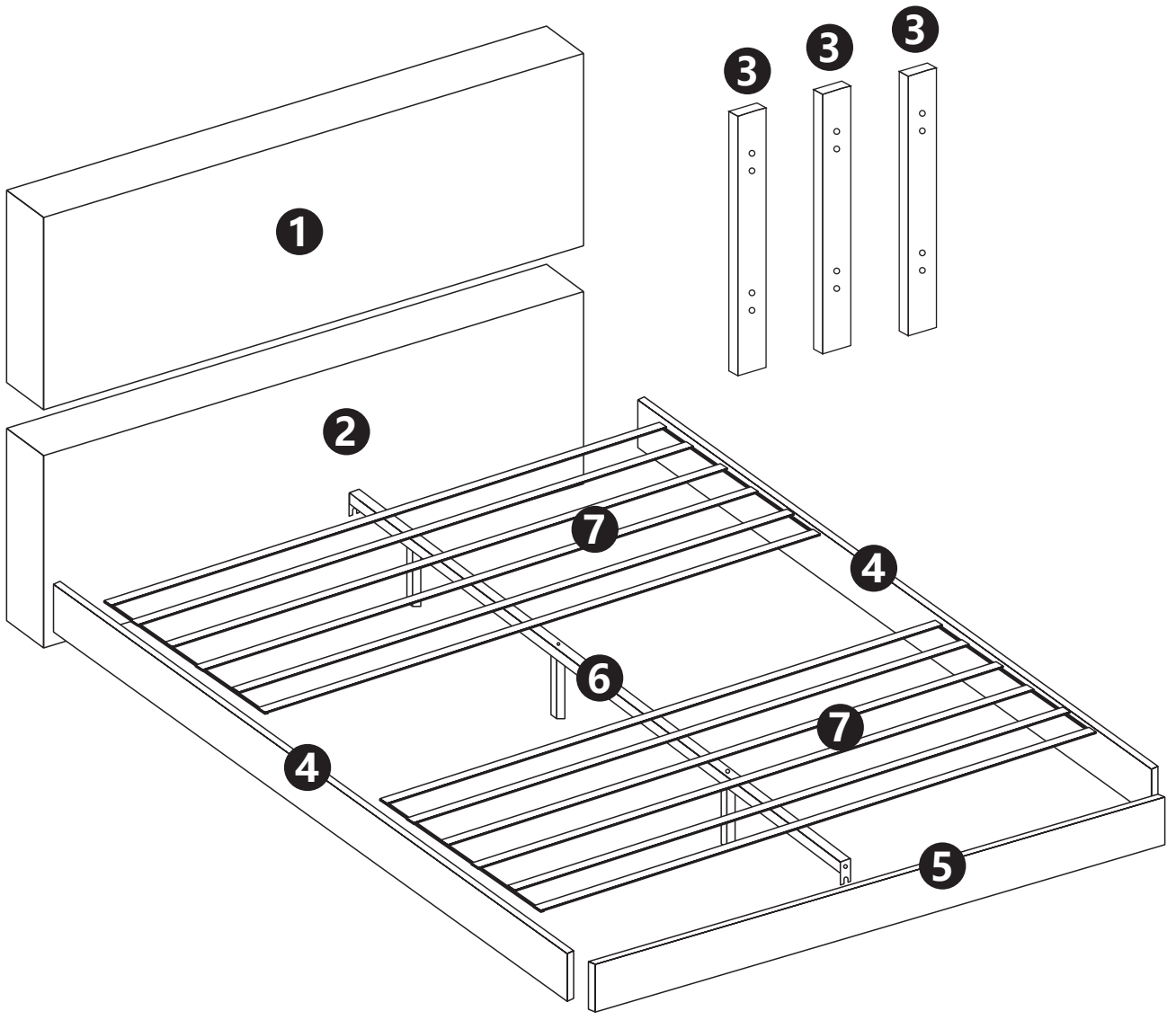
Once again, we would like to express our gratitude to you for choosing our product. Your trust and support mean the world to us. We look forward to continuing to provide you with the best products and services possible.

Best Regards,  
Customer Service Team



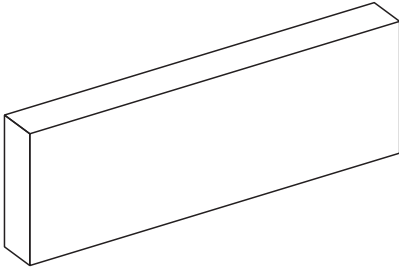
## IMPORTANT NOTE

1. Please check that all parts are complete before installation.
2. Please strictly follow the installation steps to install.
3. Please install the bed on a clean and smooth surface to prevent any damage.
4. Please do not use the power tools to assemble the bed.
5. Please periodically check all the fittings and re-tighten as necessary.
6. Please do not use the bed unless all bolts and screw are firmly secured.
7. Please contact us if you need any help, we will reply you in six hours.

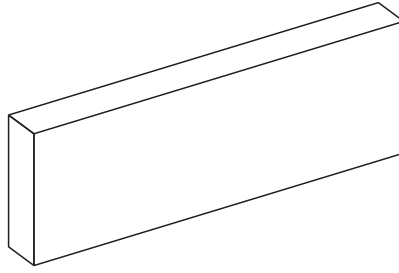


## PART LIST

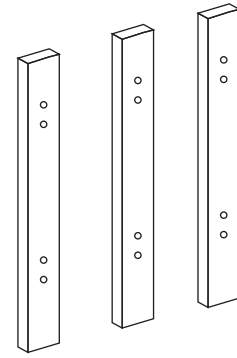
(1) Headboard Top Frame



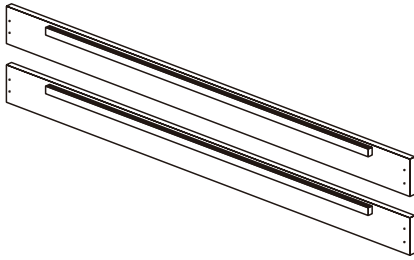
(2) Headboard Bottom Frame



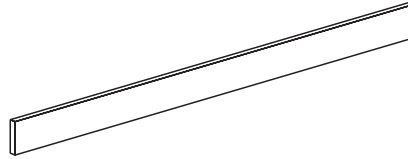
(3) Headboard Connecting Brace



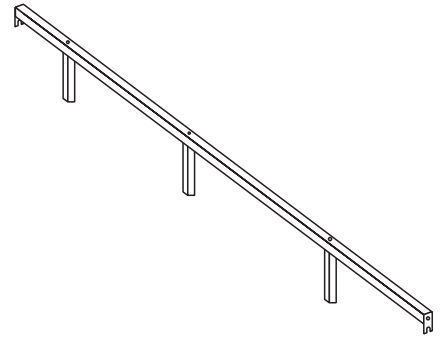
(4) Bed Side Rail



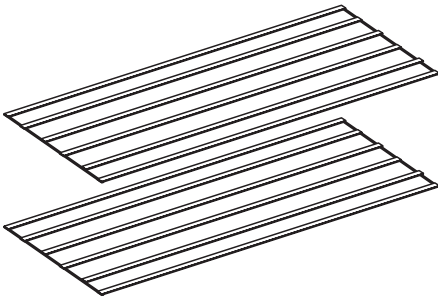
(5) Footboard



(6) Center Support Tube

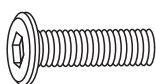


(7) Bed Slats

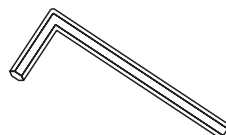


## PART LIST

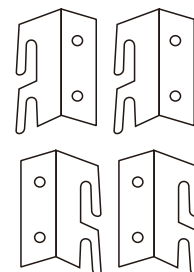
- (H1) Bolt M8x35mmX18pcs
- (H2) Bolt M8x16mmX20pcs
- (H3) Bolt M6x35mmX2pcs
- Spare parts M8x35X2pcs
- Spare parts M8x16X2pcs



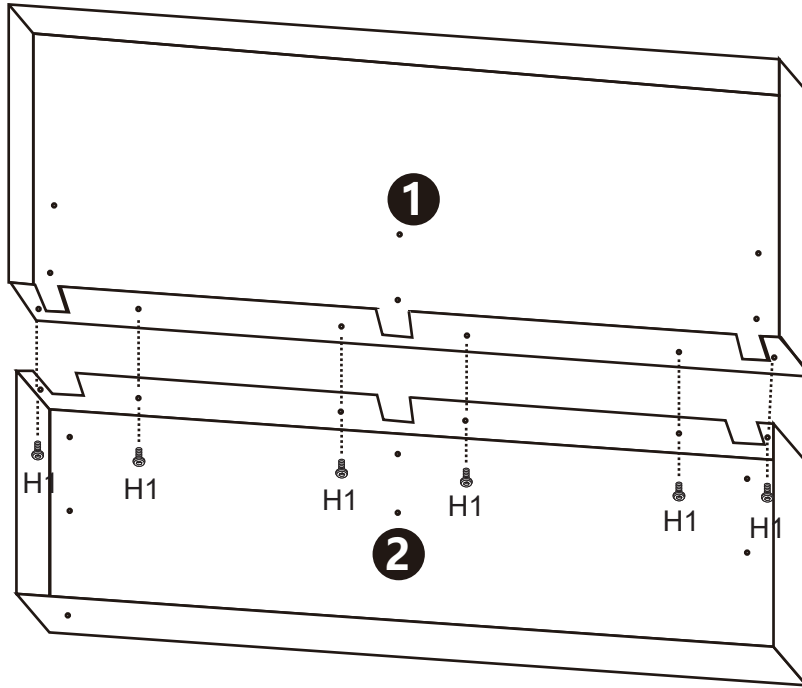
- (H2) Allen Key M4 x1pcs  
(Installation tool)
- (H2) Allen Key M5 x1pcs  
(Installation tool)



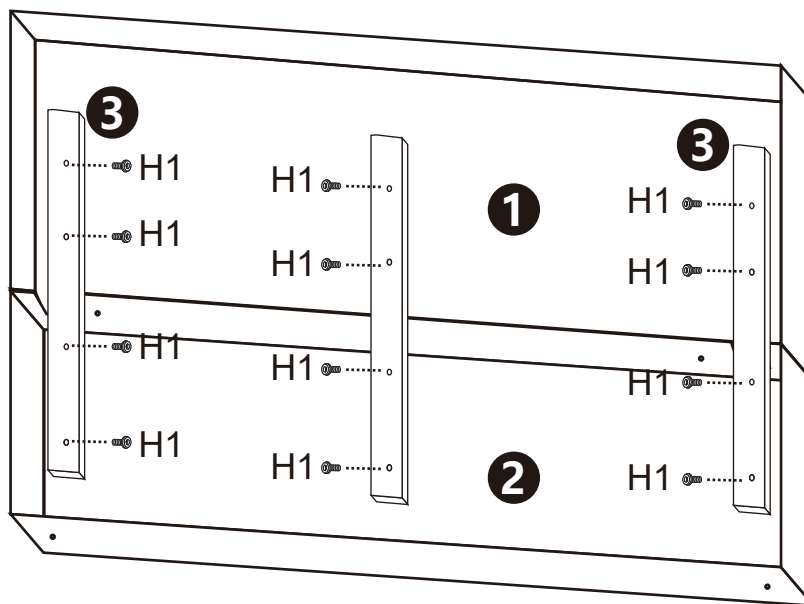
### Gasket



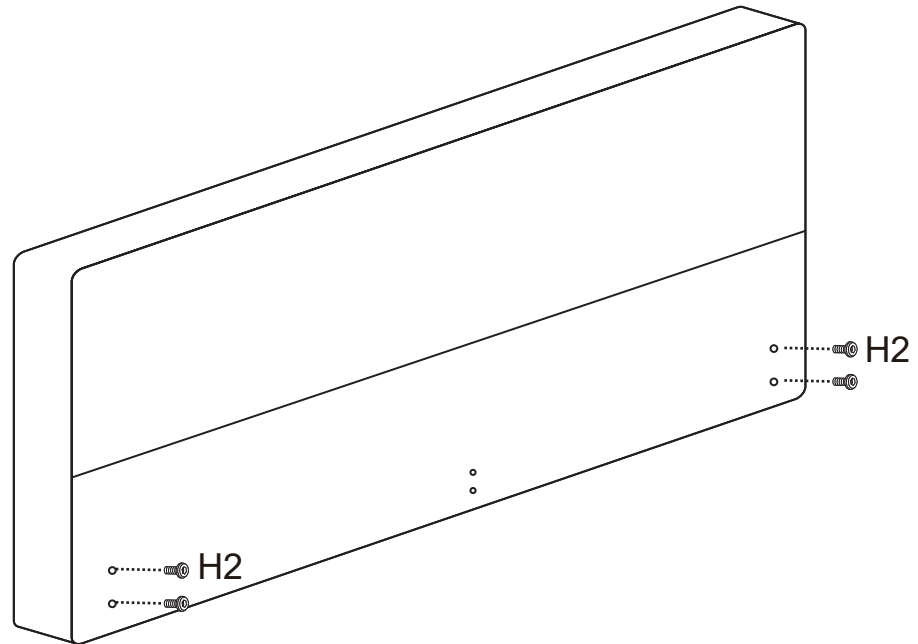
Step 1 Join part (1) and part (2) as shown in the diagram and tighten with screws.



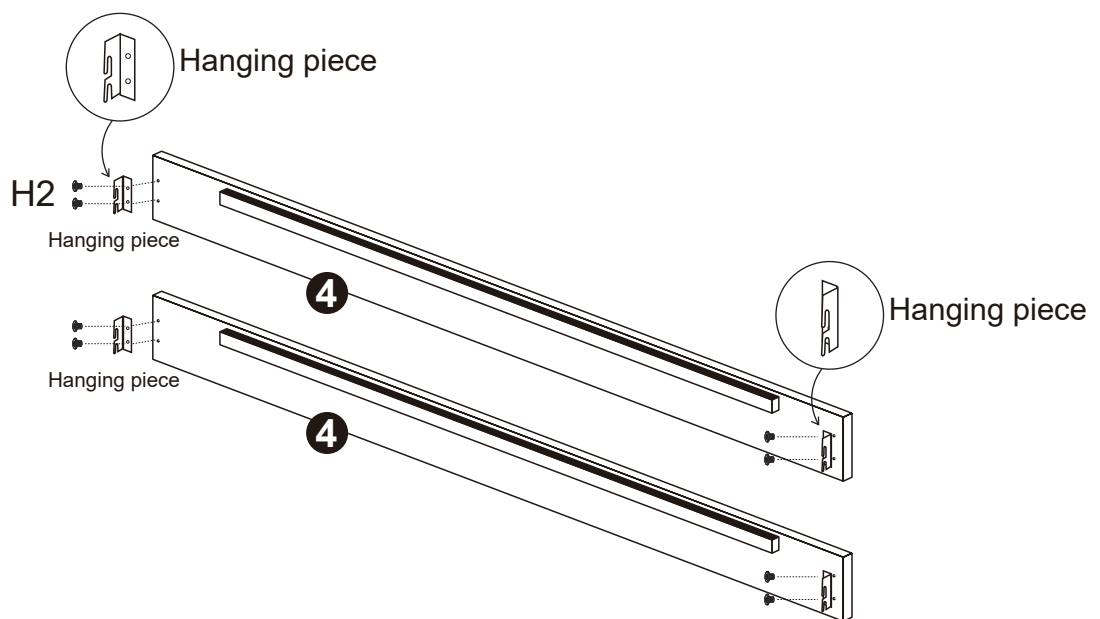
Step 2 Position part (3) as shown in the diagram and tighten with screws.



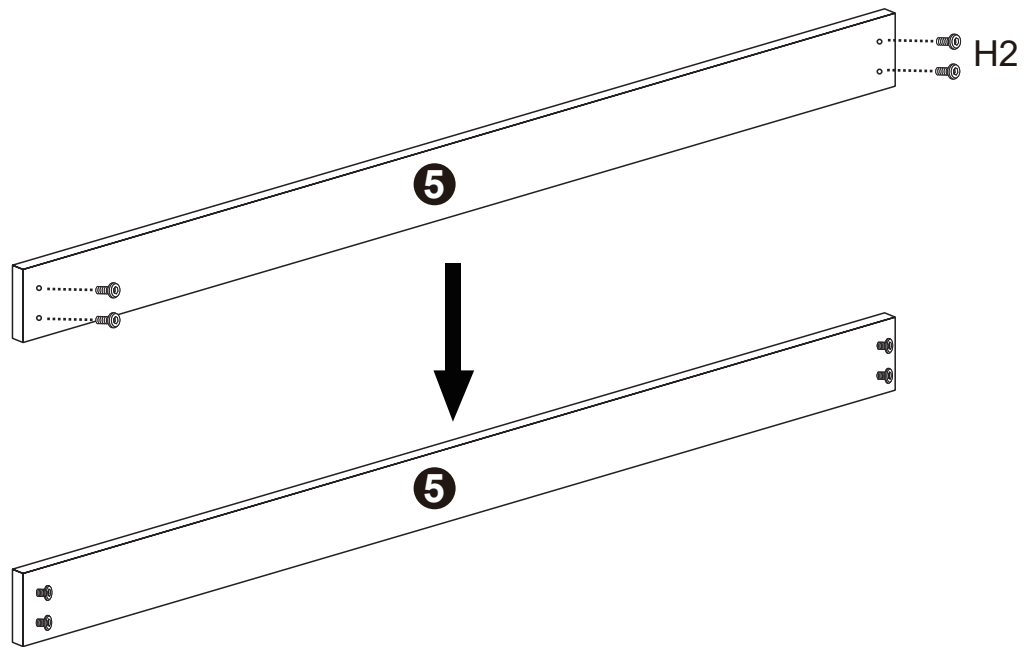
Step3 Flip part (3) to front, screw H1 into holes loosely (keep a small gap).



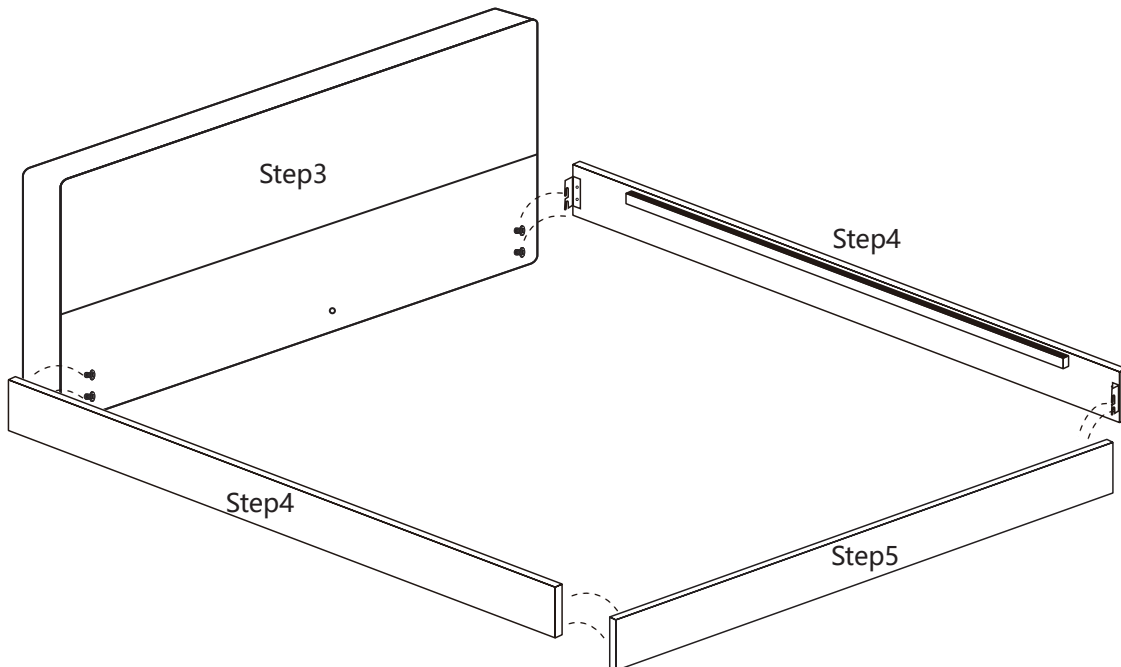
Step 4



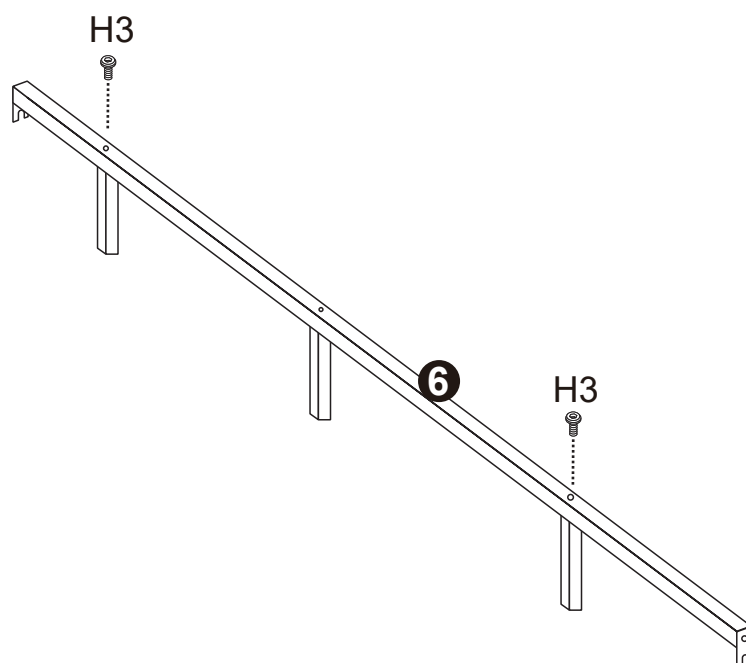
Step 5 Screw part (5) into holes with H1 loosely (keep a tiny space).



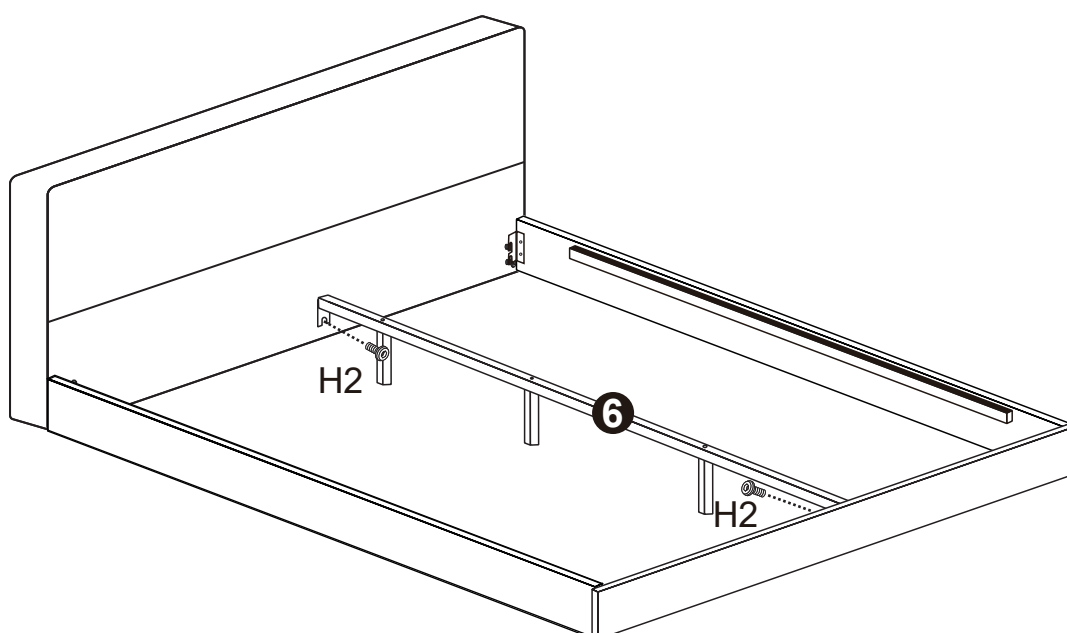
Step 6 Place components (3), (4), and (5) in the positions shown in the diagram, then fully tighten with H1 screws



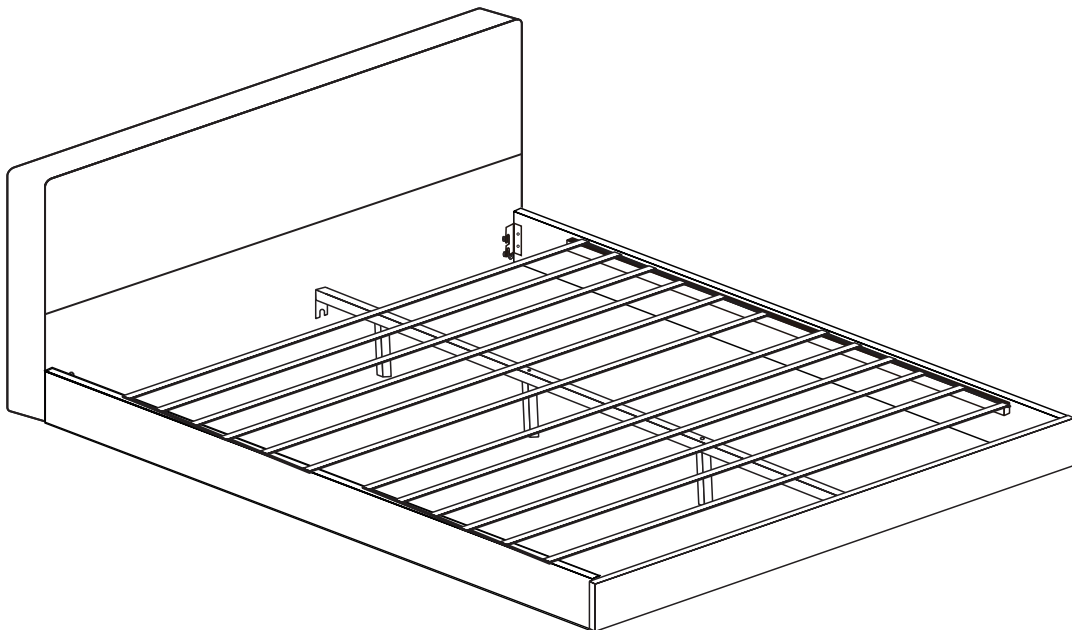
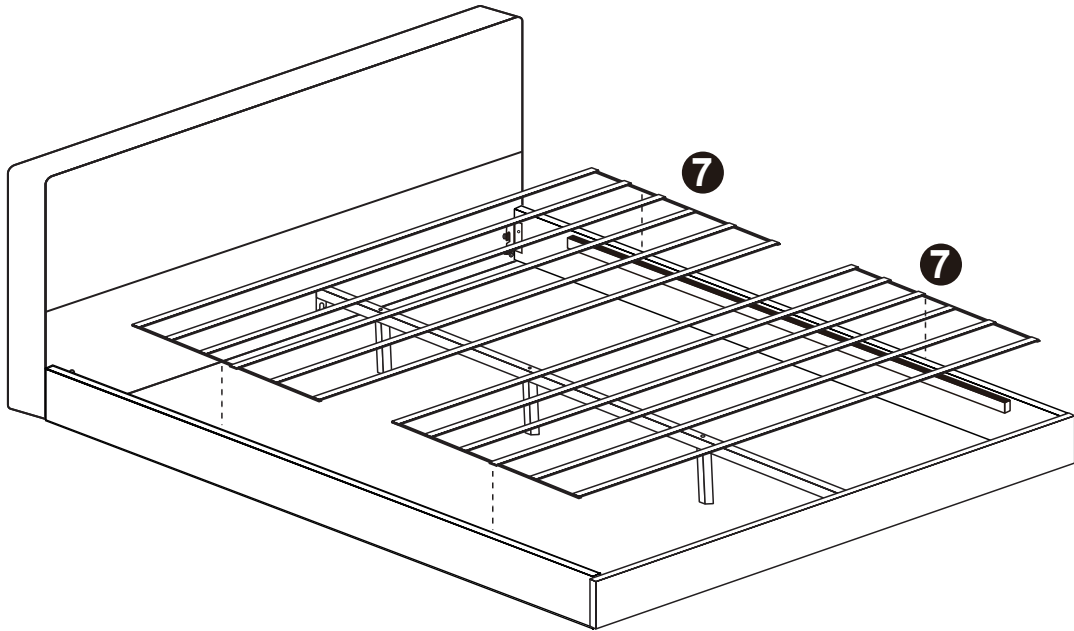
Step 7 Position component (6) as shown in the diagram and fully tighten with H2 screws.

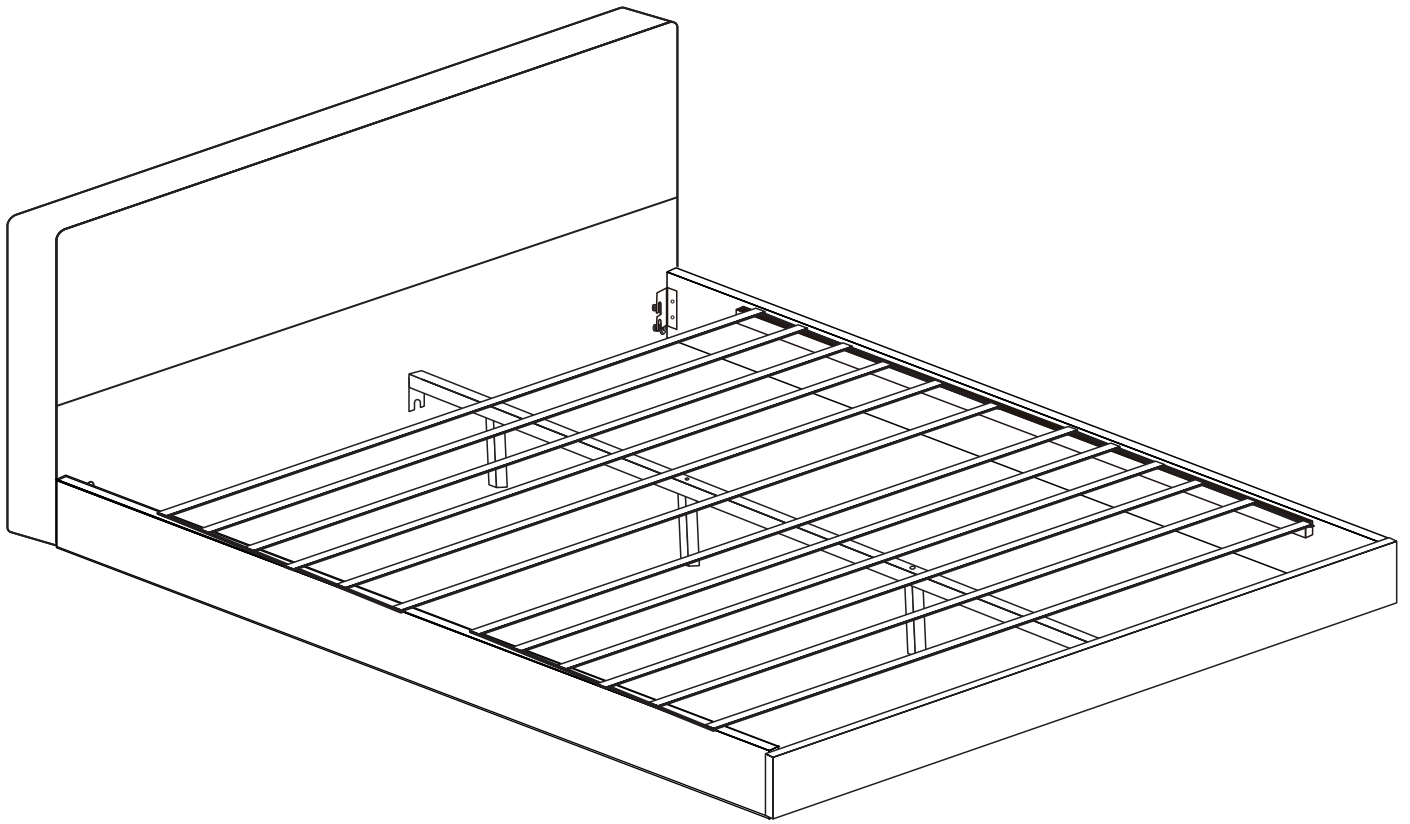


Step 8 Position component (6) as shown in the diagram and fully tighten with H1 screws.



Step 9 Position component (7) correctly according to the diagram.





Job complete!

In the interest of our environment, please dispose of all packaging thoughtfully, thanks!

We' love to hear from you!