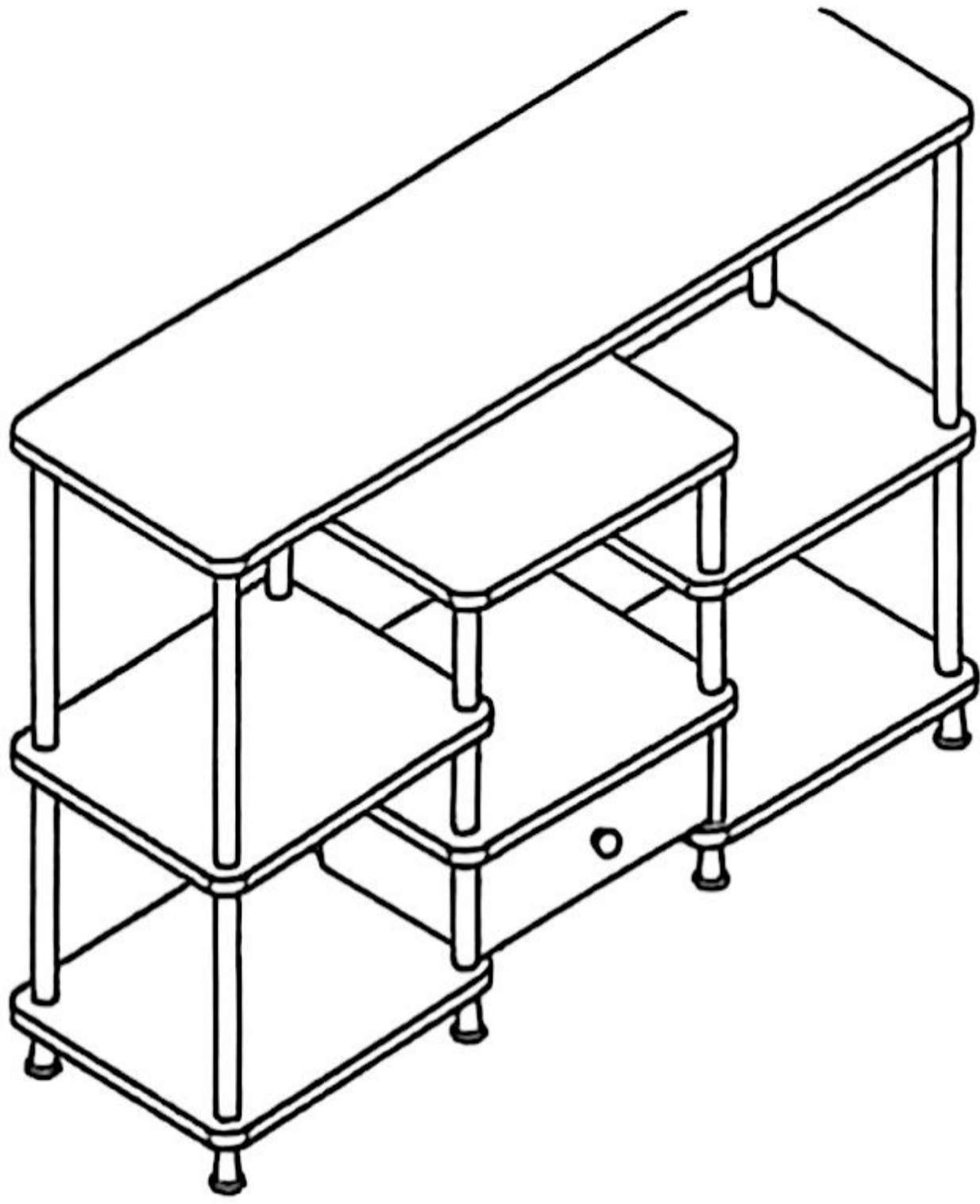
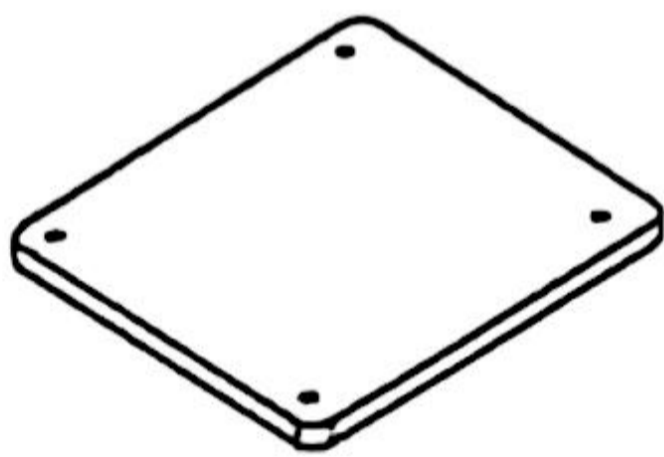


Installation Manual

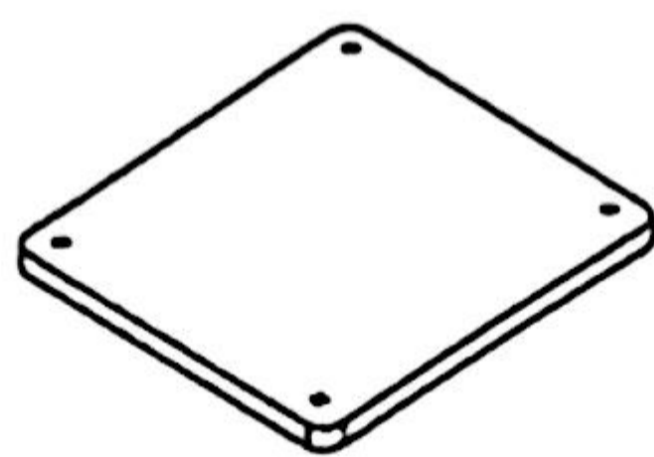


A



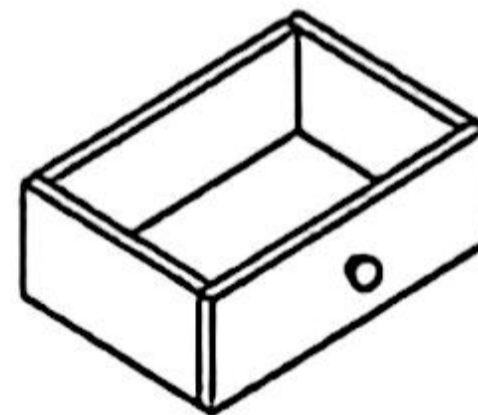
Base plate x2

B



Deck plate x4

C



Drawer x1

D



Wood beads x8

E

Screwed support pillar



Shortest pillar x4

F

Both sides have columns with built-in nuts.



Short pillar x4

G

With screws



Short pillar x4

H

Screwed support pillar



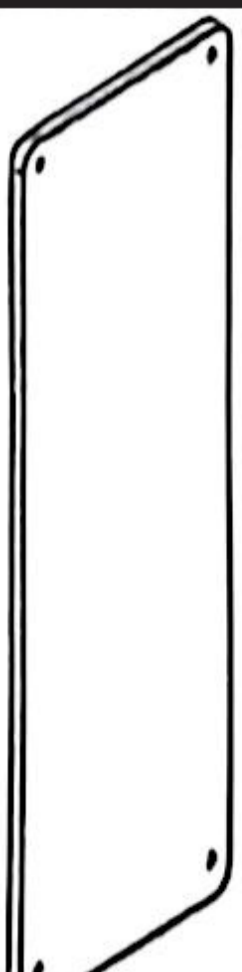
Long pillar x4

H



Long pillar x4

I



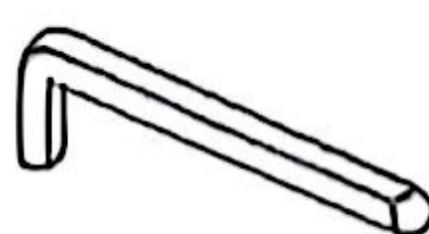
Long slab board x1

K



Screw

L



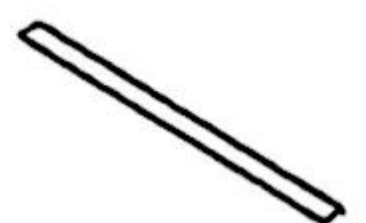
X8 wrench x1

M



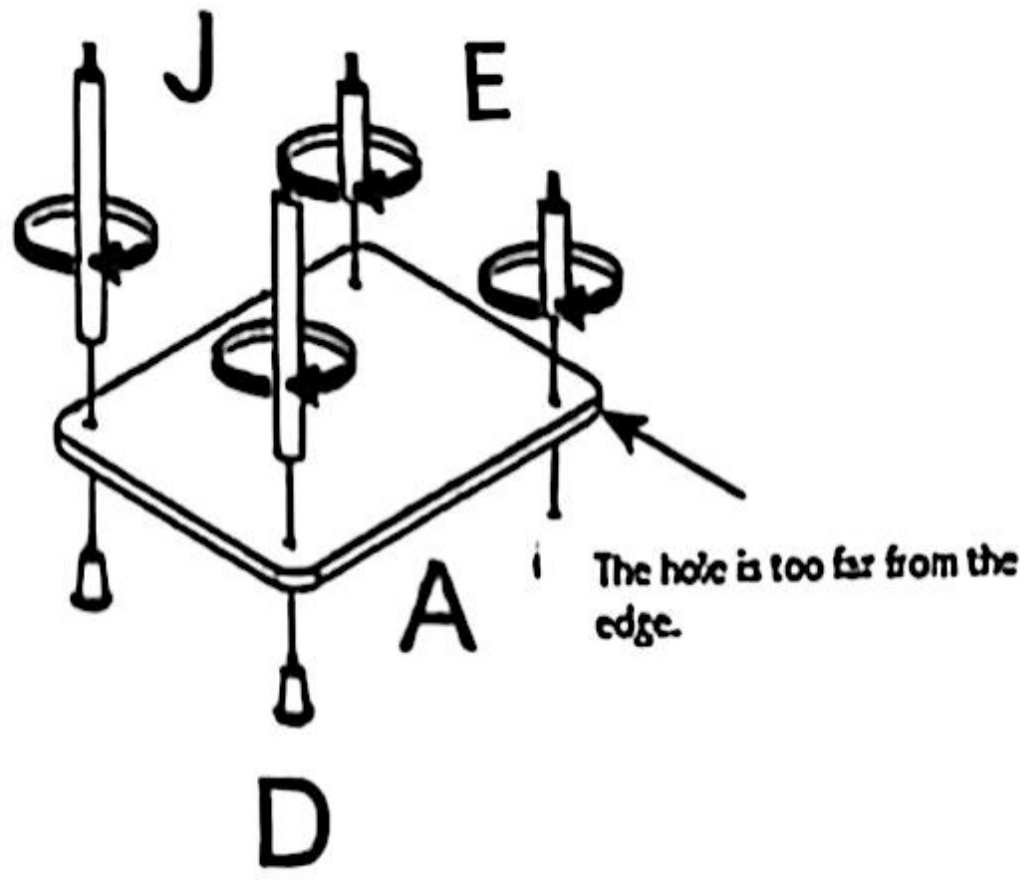
Hemp thread x2

N

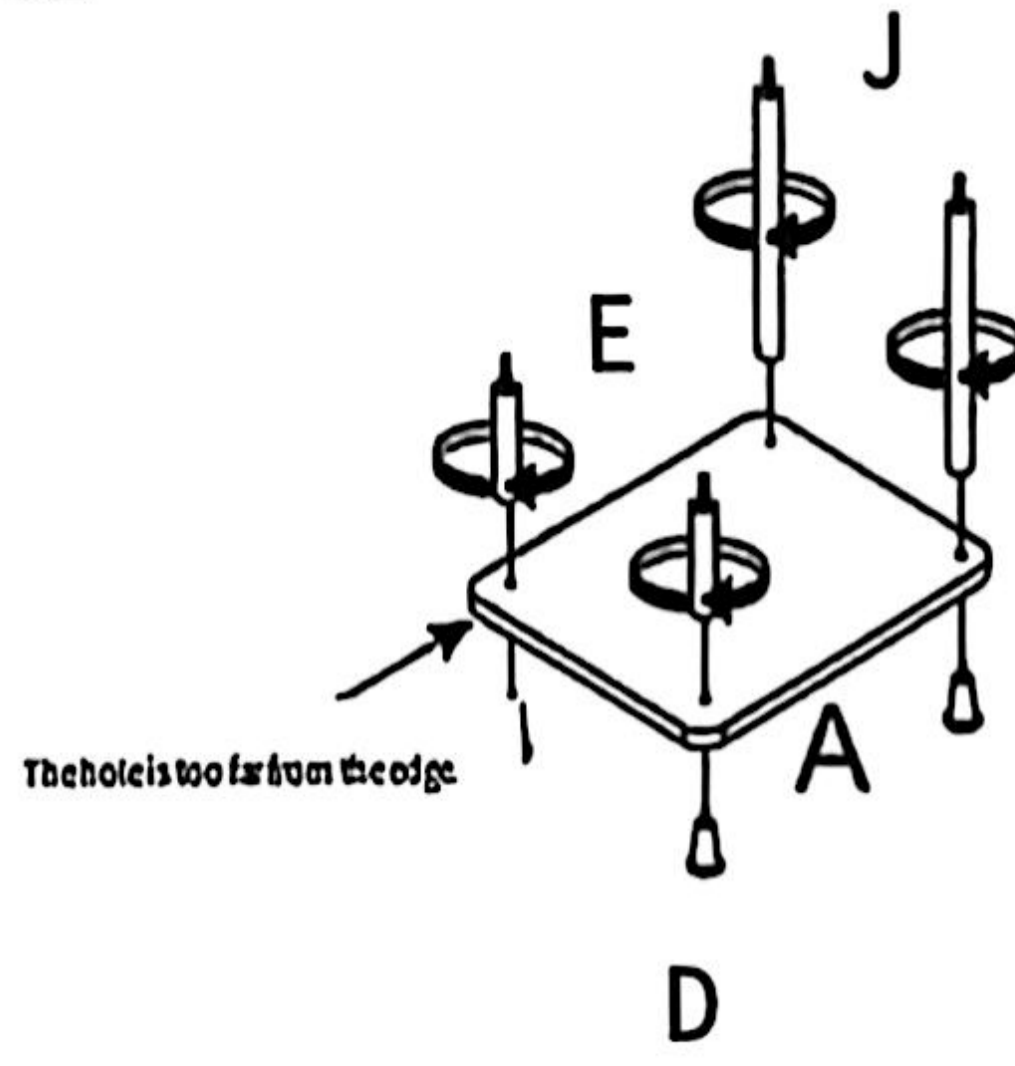


Hemp thread x2

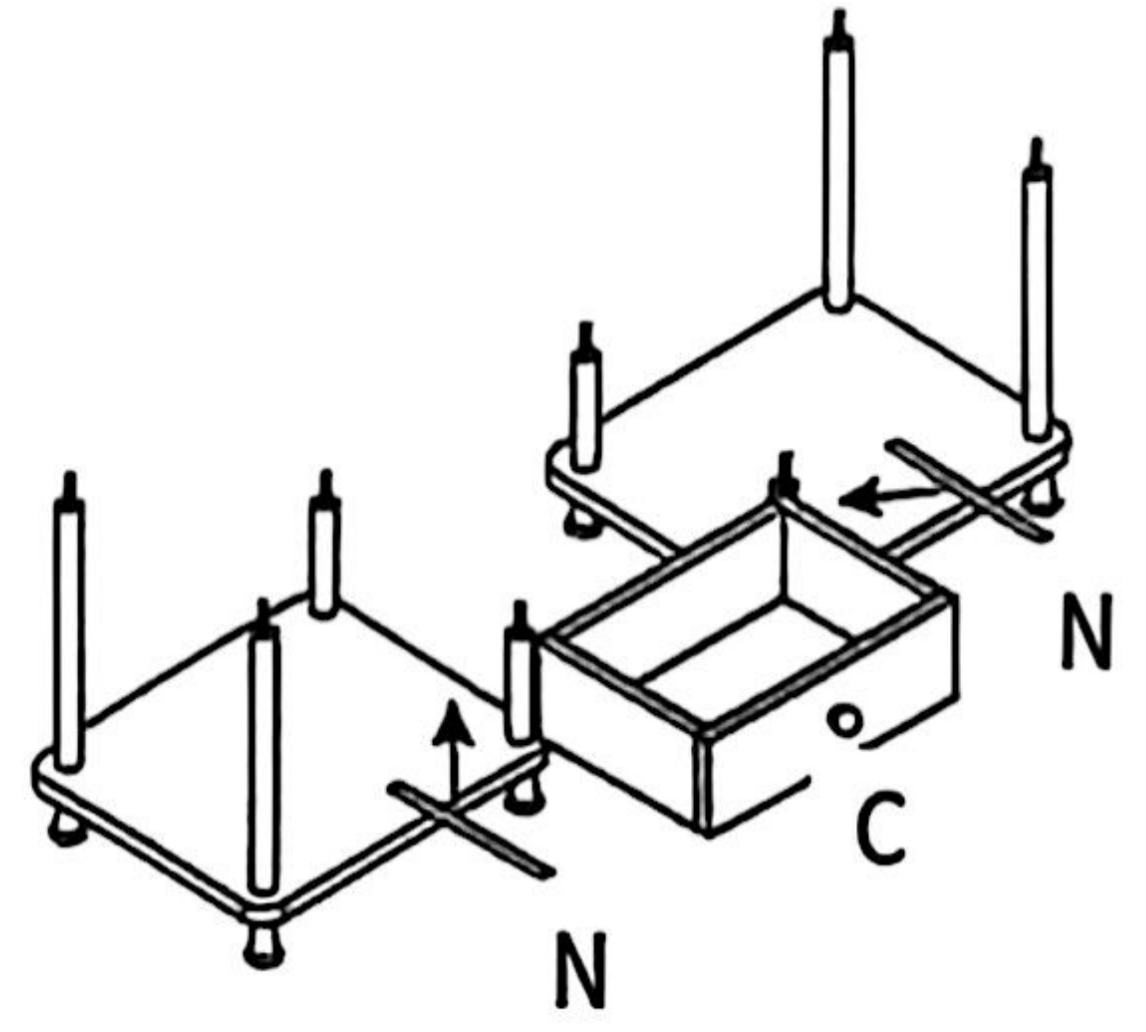
01



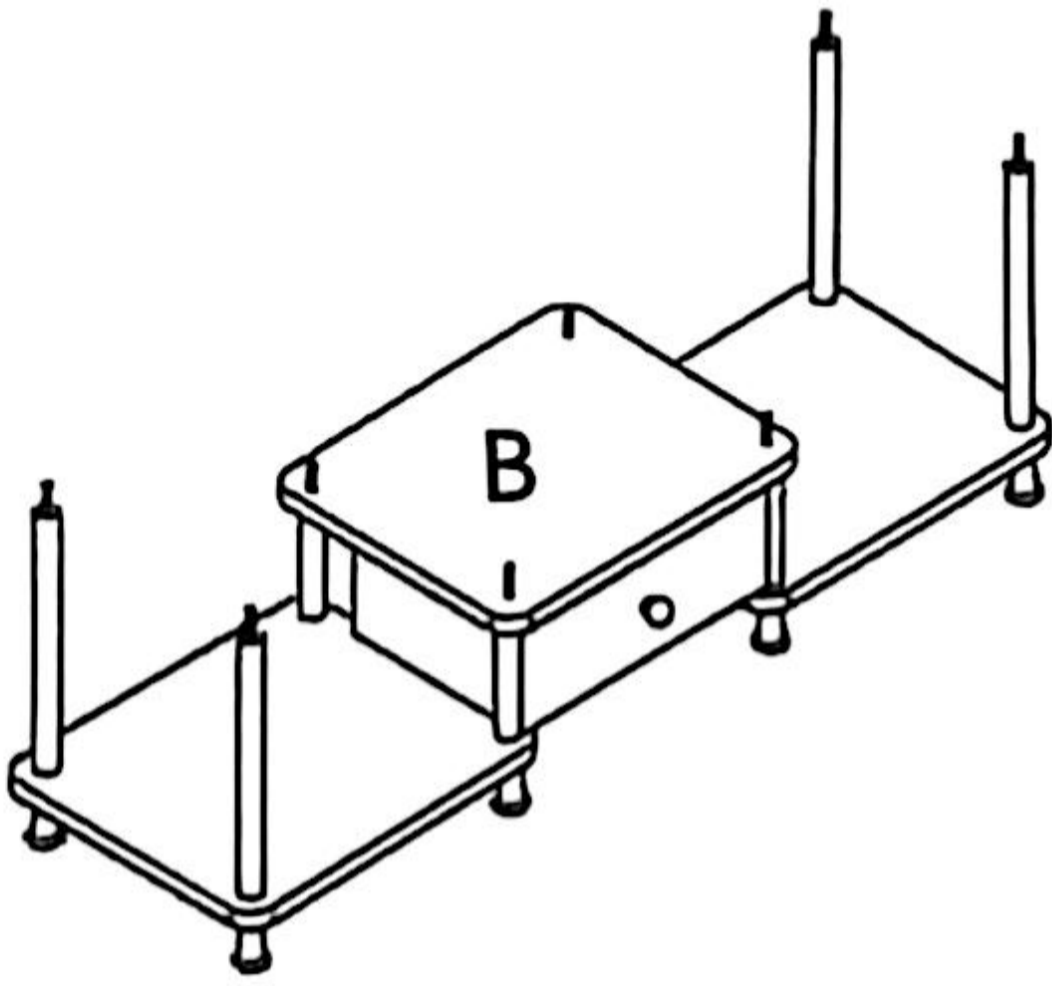
02



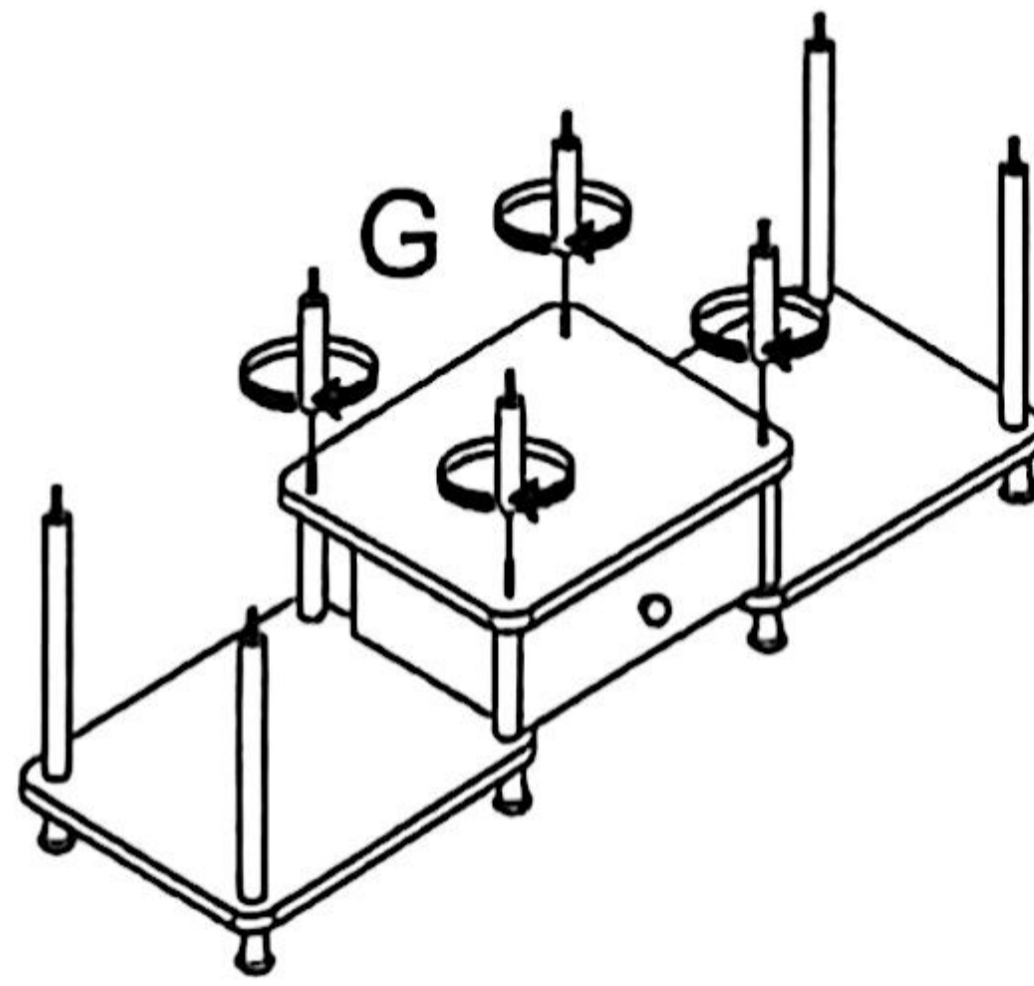
03



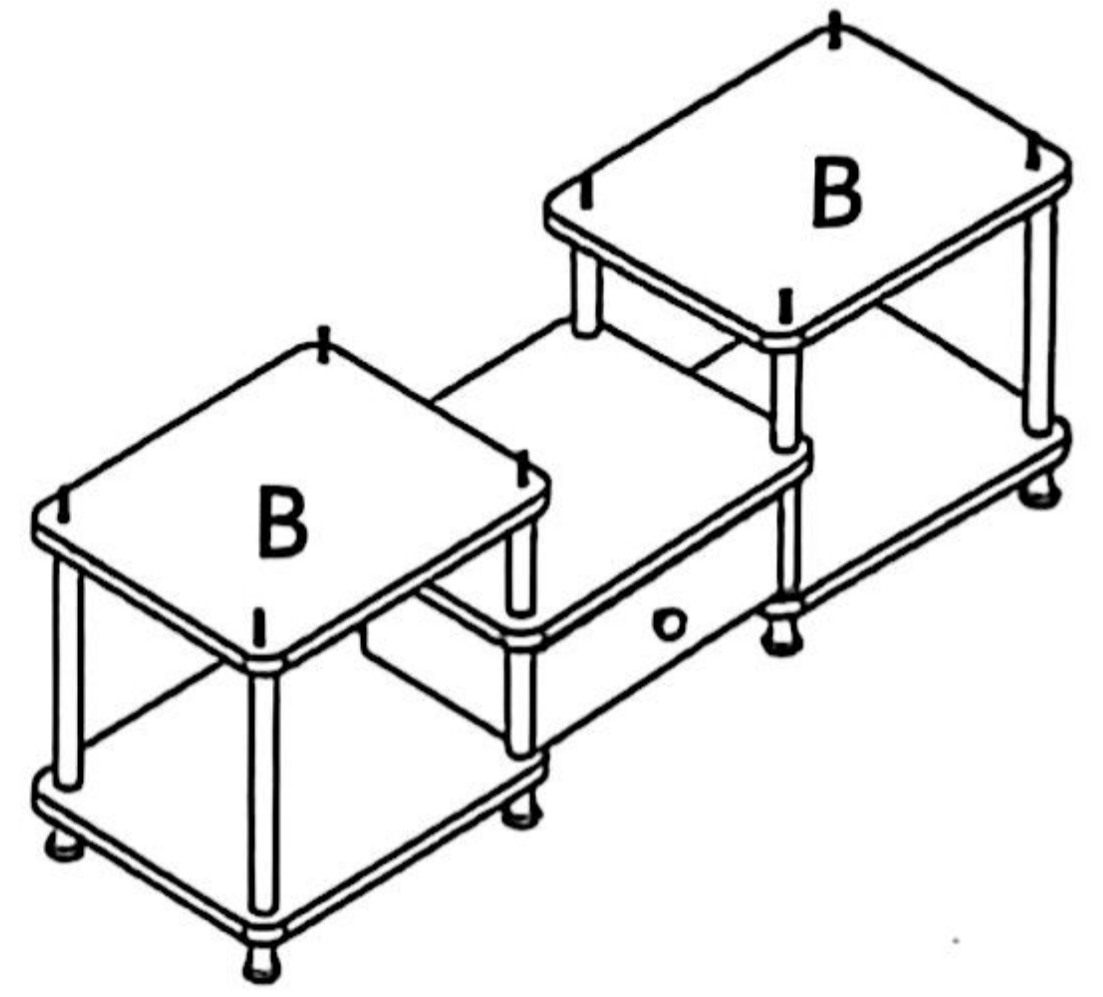
04



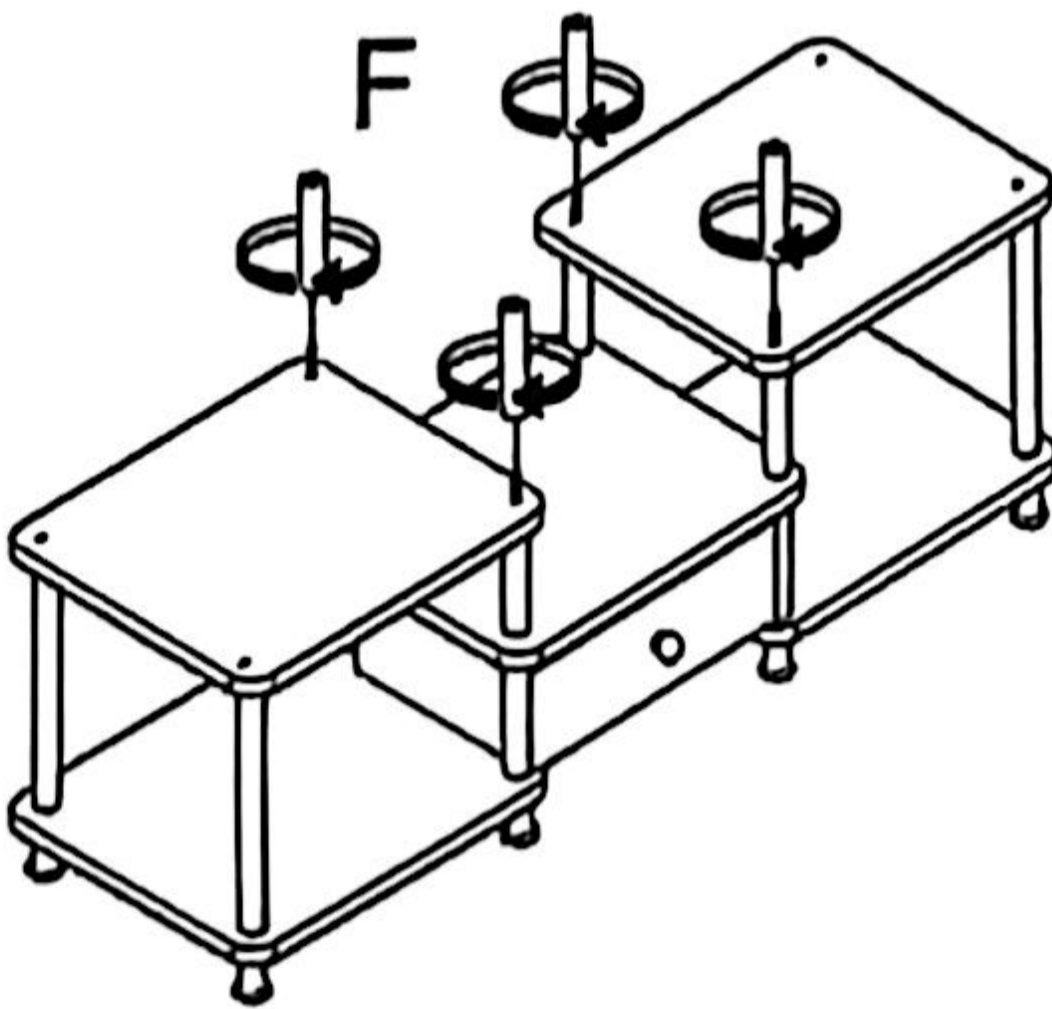
05



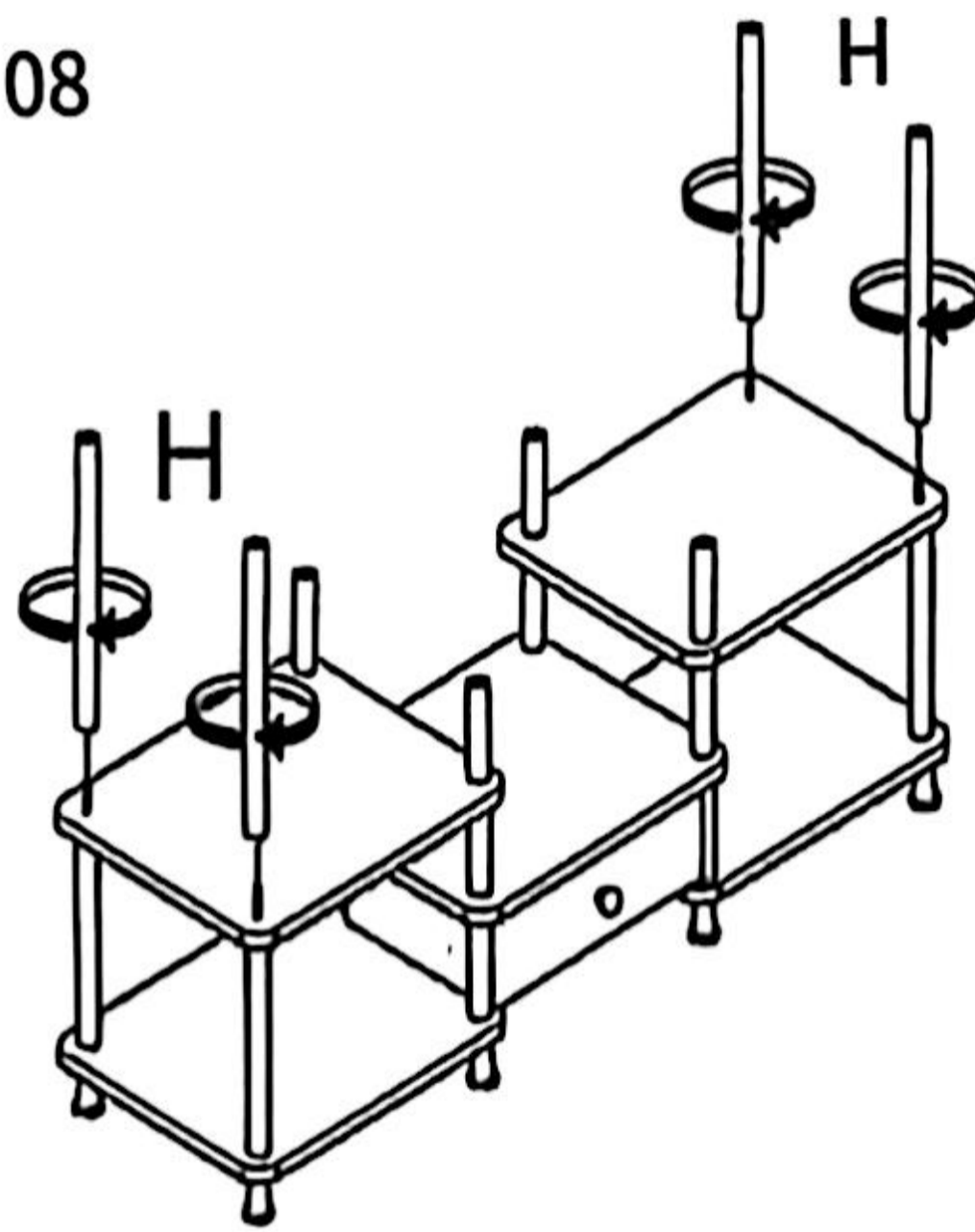
06



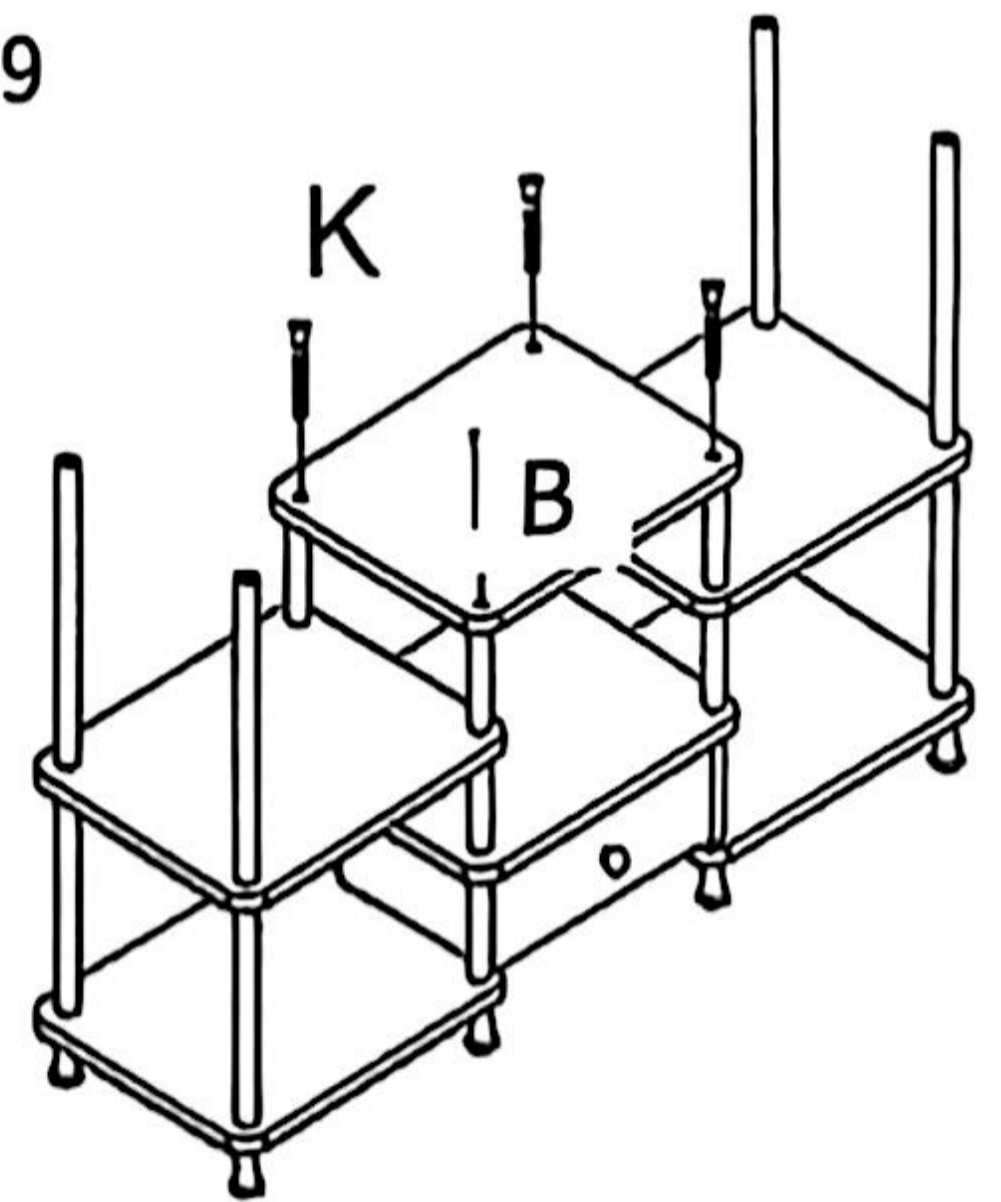
07



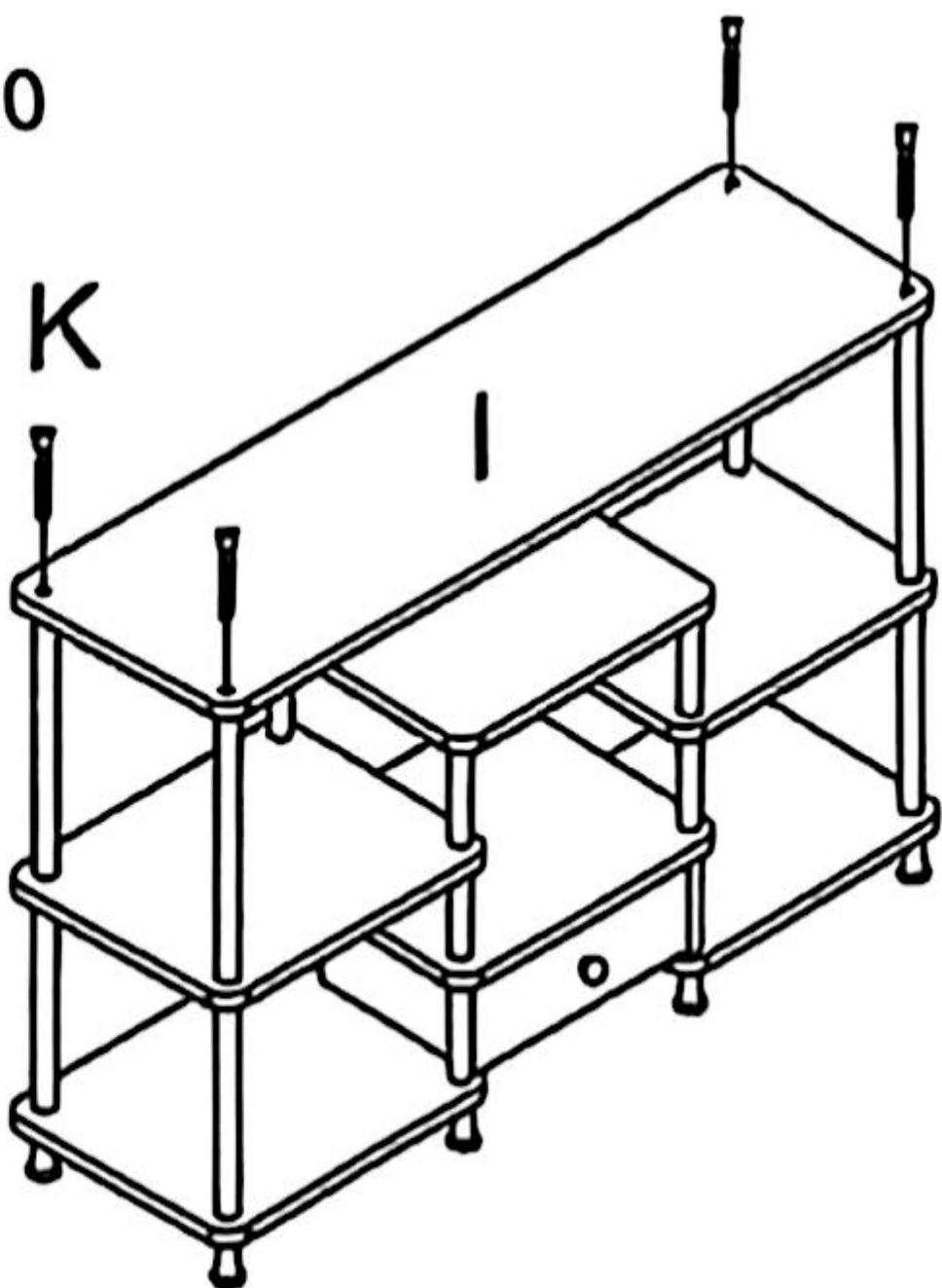
08



09



10



11

