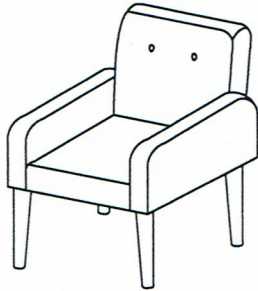
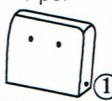
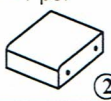
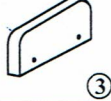



ASSEMBLY INSTRUCTIONS






MODEL :
AC015-FS



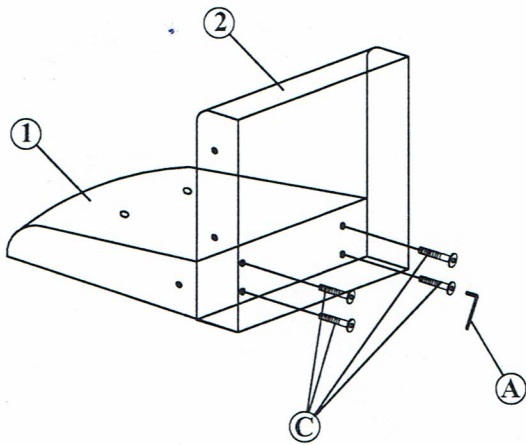
COMPONENT

Back Rail - 1 pc.  ①	Seater - 1 pc.  ②	Arm - 2 pcs.  ③	Leg - 4 pcs.  ④
---	--	---	---

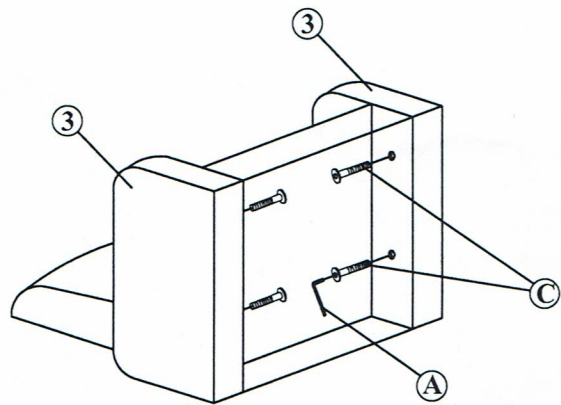
HARDWARE

Allen Key M4 - 1 pc.  ①	JCBC Bolt M6 x 50mm - 8 pcs.  ②	JCBC Bolt M6 x 40mm - 10 pcs.  ③	M6 Washer - 16 pcs.  ④	M6 Spring Washer - 8 pcs.  ⑤
--	---	--	---	---

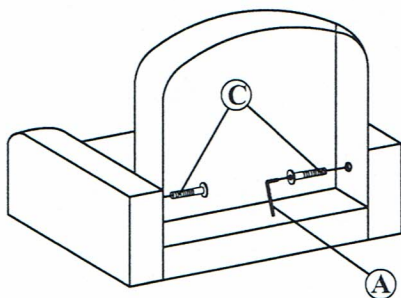
STEP 1 :



STEP 2 :



STEP 3 :



STEP 4 :

