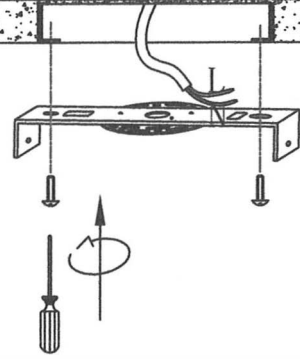


INSTALL INSTRUCTION

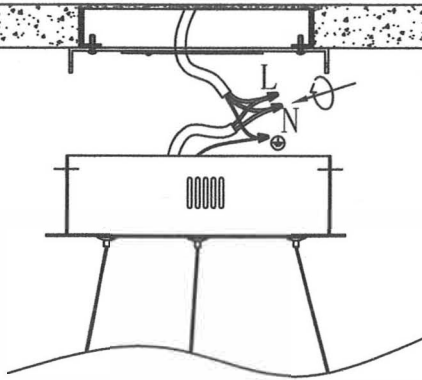
①



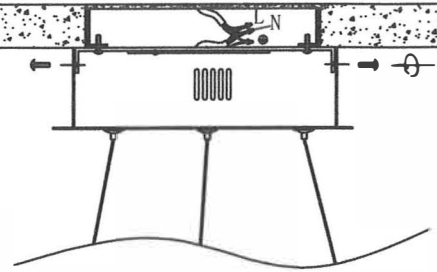
②



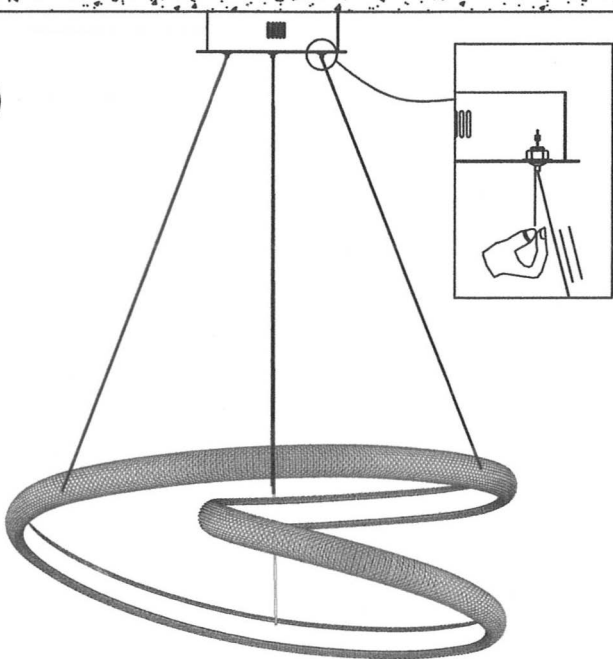
③



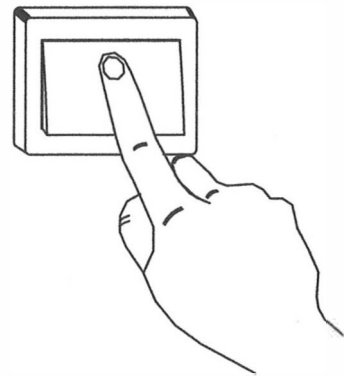
④



⑤



⑥



- ① turn off the power
- ② Padlock panel
- ③ Connect the power cord
- ④ Locking Plate screw, fixed lamp body
- ⑤ Adjust the lamp body balance
- ⑥ Connect the power cord