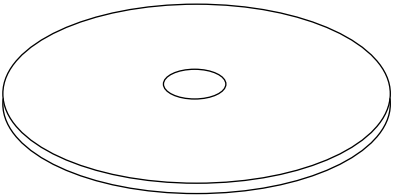
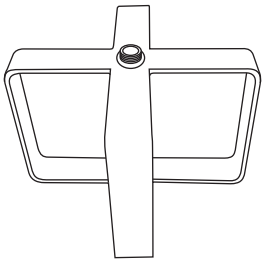
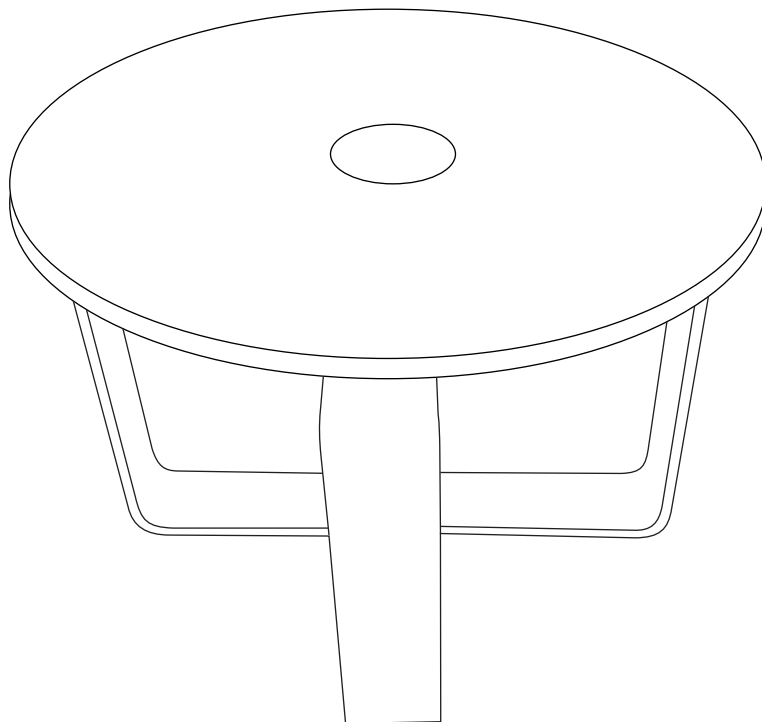


# Assembly Instructions

KEITH 28" COFFEE TABLE  
51005887

## Parts and Tools

Top	51005887		X 1	<b>Before beginning</b>  1) Carefully unpack and position the item on a clean, non-marring surface to assemble.  2) Read this Assembly Instructions from beginning to end before starting to assemble.  3) Take an inventory of the required parts to ensure all are available.  4) To prevent accidental choking hazards, keep all packing materials away from small children.
Base	51005887		X 1	



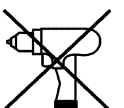
ASSEMBLY REQUIRES  
TWO PEOPLE



5 MINUTE  
ASSEMBLY TIME



KEEP INSTRUCTIONS  
FOR FUTURE USE



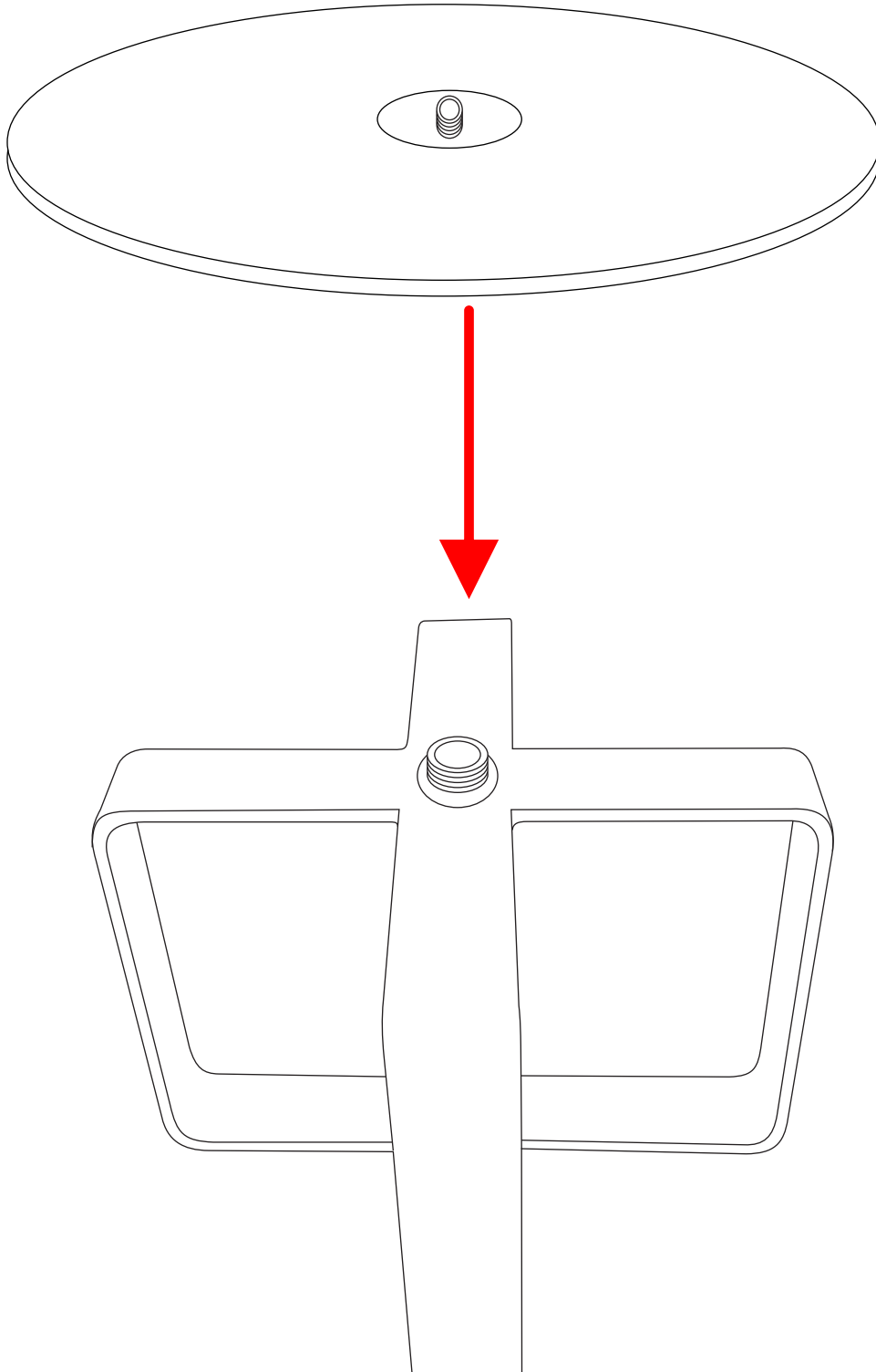
# Assembly Instructions

KEITH 28" COFFEE TABLE  
51005887

1

■ BE CARE FULL WHILE THREADING THE GLASS TOP IN TO ALUMINIUM BASE AND TAKE CARE ON THE BELOW TIPS.

- (1) LIFT GLASS TOP BY TWO PERSONS GENTLY AND SCREW IN CLOCK WISE DIRECTION.
- (2) DO NOT LIFT THE TABLE FROM GLASS TOP.
- (3) KEEP STRAIGHT GLASS TOP BETWEEN THE BASE WHILE FIXING THE TOP.



# Assembly Instructions

KEITH 28" COFFEE TABLE  
51005887

2

