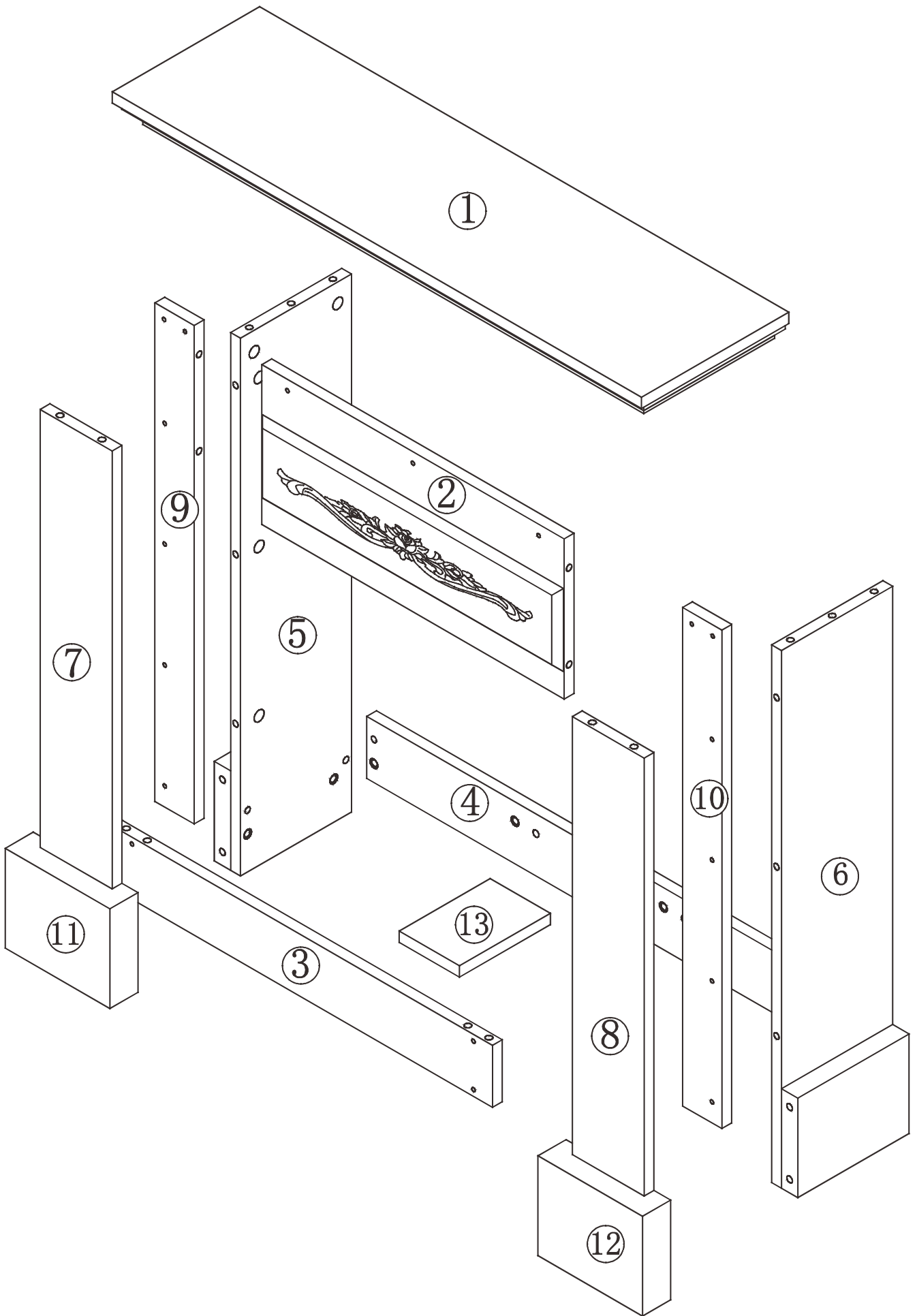


EN_IMPORTANT, RETAIN FOR FUTURE REFERENCE: READ CAREFULLY.



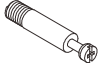

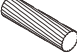





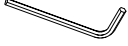
**FR_IMPORTANT: À LIRE ATTENTIVEMENT ET À CONSERVER POUR VOUS Y REFERER
ULTÉRIEUREMENT.**



PART IDENTIFICATION: / IDENTIFICATION DES PIÈCES:

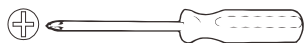
CODE /CODE	DESCRIPTION/DESCRIPTION	QTY /QtÉ
1	Top Panel / Planche supérieure	1
2	Front Up Panel / Planche avant haut	1
3	Front Base Panel / Planche avant bas	1
4	Back Base Panel / Planche arrière bas	1
5	Left Side Panel / Planche latérale gauche	1
6	Right Side Panel / Planche latérale droit	1
7	Left Front Panel / Planche avant gauche	1
8	Right Front Panel / Planche avant droit	1
9	Left Trim Panel /Planche d'habillage gauche	1
10	Right Trim Panel / Planche d'habillage droit	1
11	Left Foot Panel / Planche basale gauche	1
12	Right Foot Panel / Planche basale droit	1
13	Case Panel / Planche support	1

Hardware Parts List: /Liste des pièces détachées:

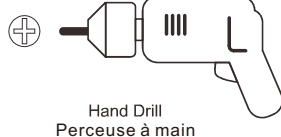
CODE / CODE	PICTURE / IMAGE	DESCRIPTION / DESCRIPTION	QTY / QtÉ
A		Bolt / Boulon	12 +1(Spare)
B		Plastic Connector / Connecteur en plastique	6 +1(Spare)
C		Metal Dowel /Cheville métallique	10 +1(Spare)
D		Metal Cam / Came métallique	10 +1(Spare)
E		Wood Dowel / Cheville en bois	26 +1(Spare)
F		Screw / Vis	19 +1(Spare)
G		Metal Connector / Connecteur en métal	2
H		Plastic Cap / Capuchon en plastique	10
I		Fall Prevention Hardware /Accessoires anti-basculement	2
J		8*20 Wooden Tenon /Tenon en bois 8*20	6
K		N4 spanner / Clé N4	1

Assembly Tools Required:

/ Outils d'assemblage requis:





OR/OU

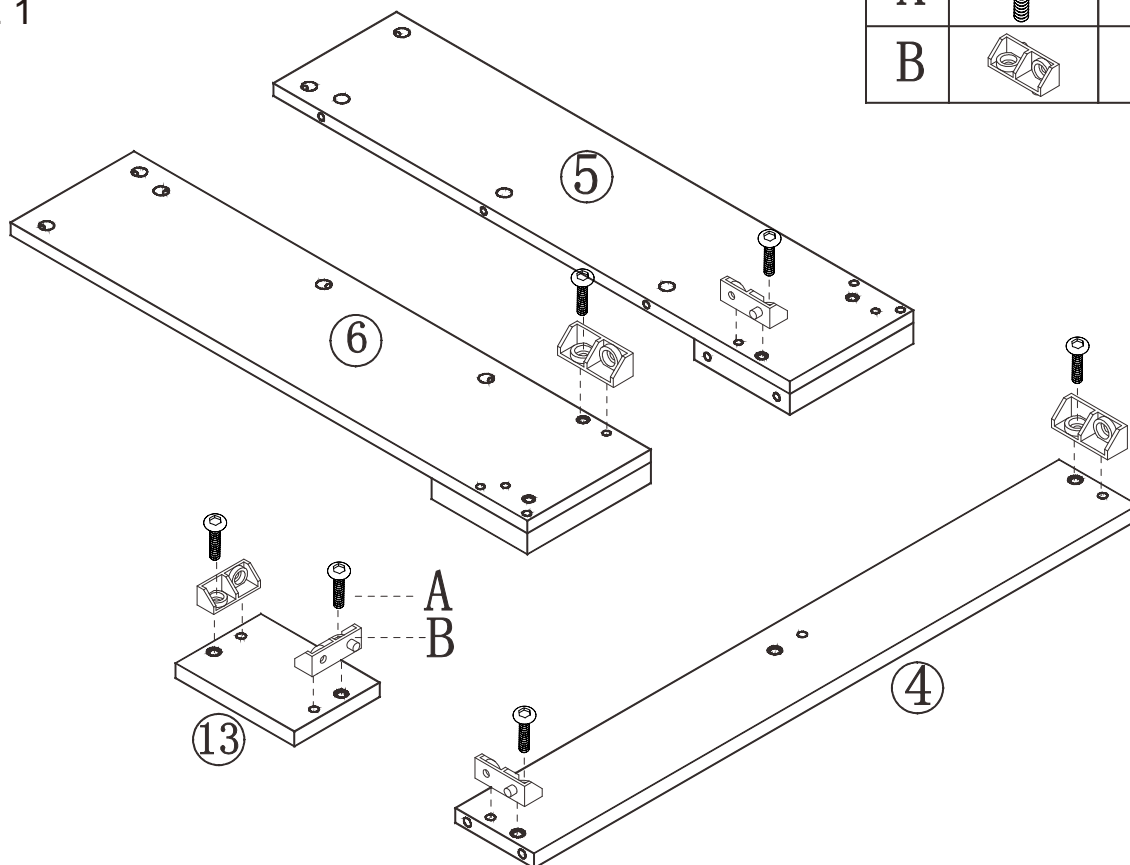


OR/OU




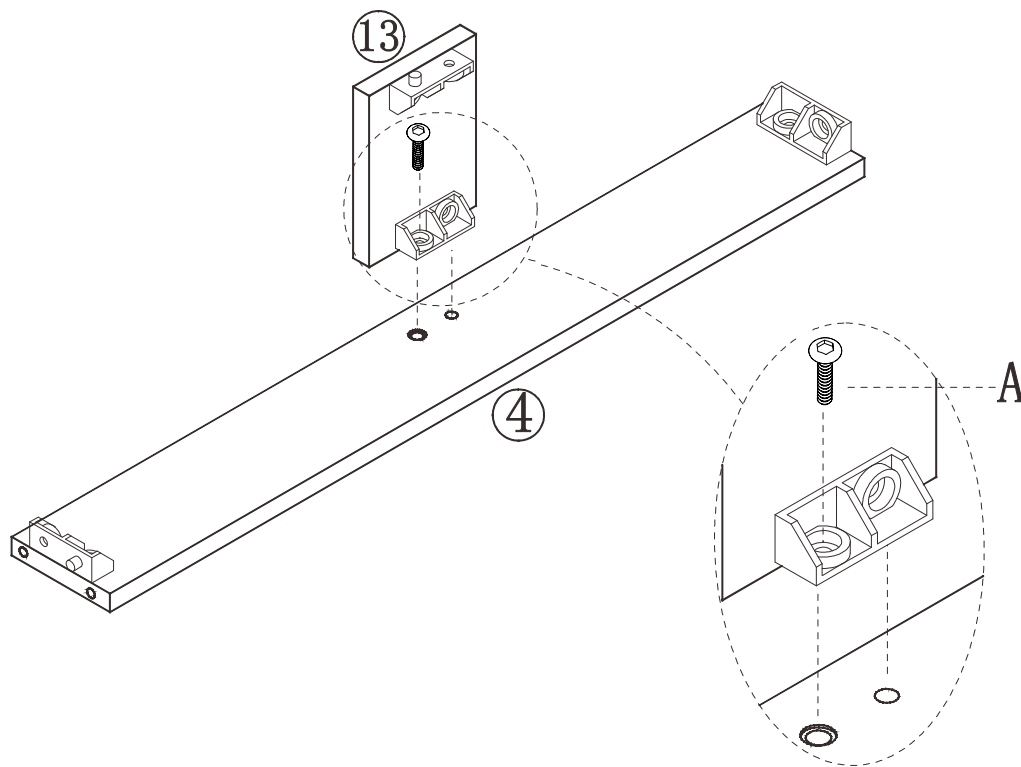
STEP 1
/ÉTAPE 1

A		6
B		6

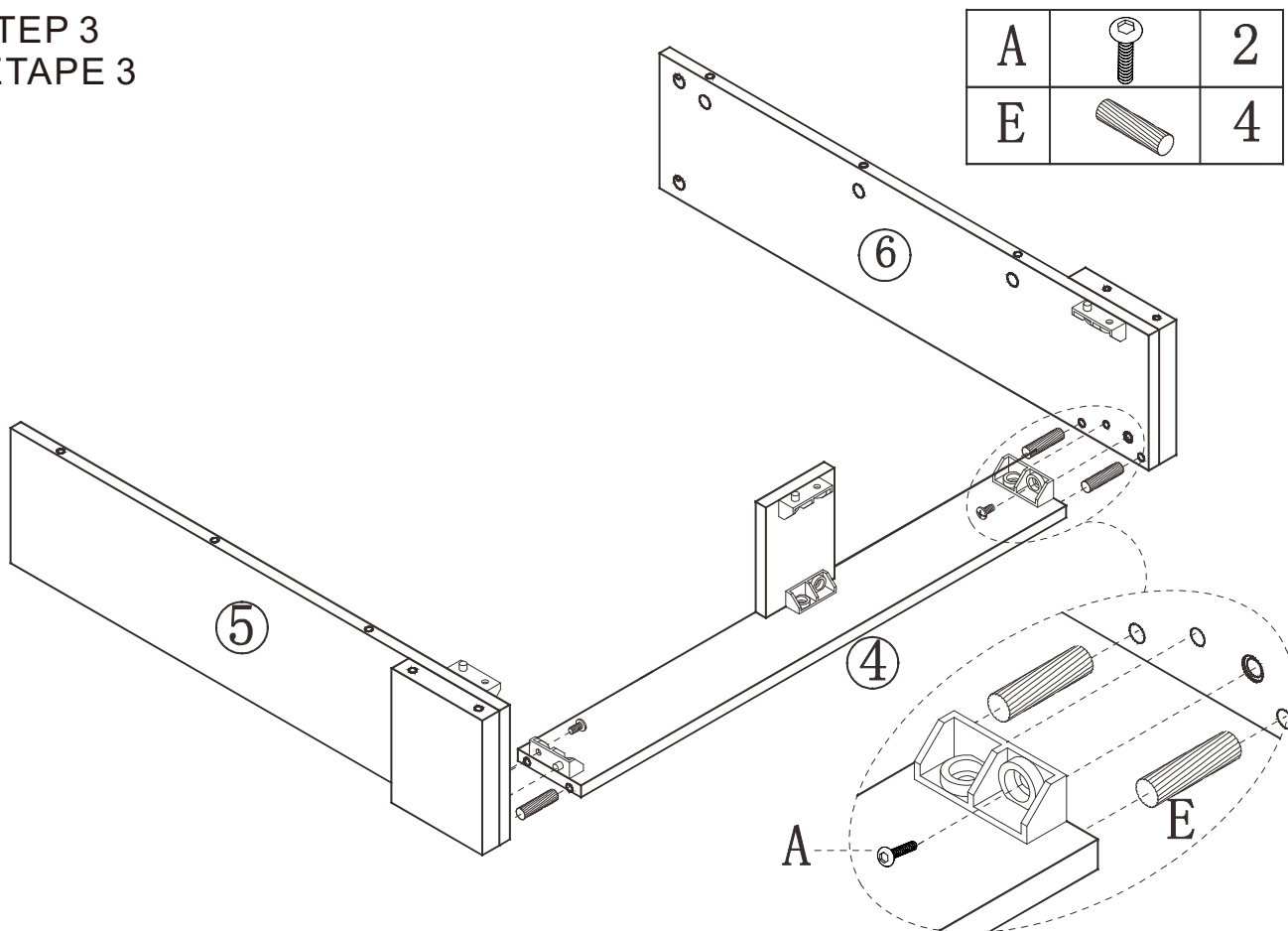


STEP 2
/ÉTAPE 2

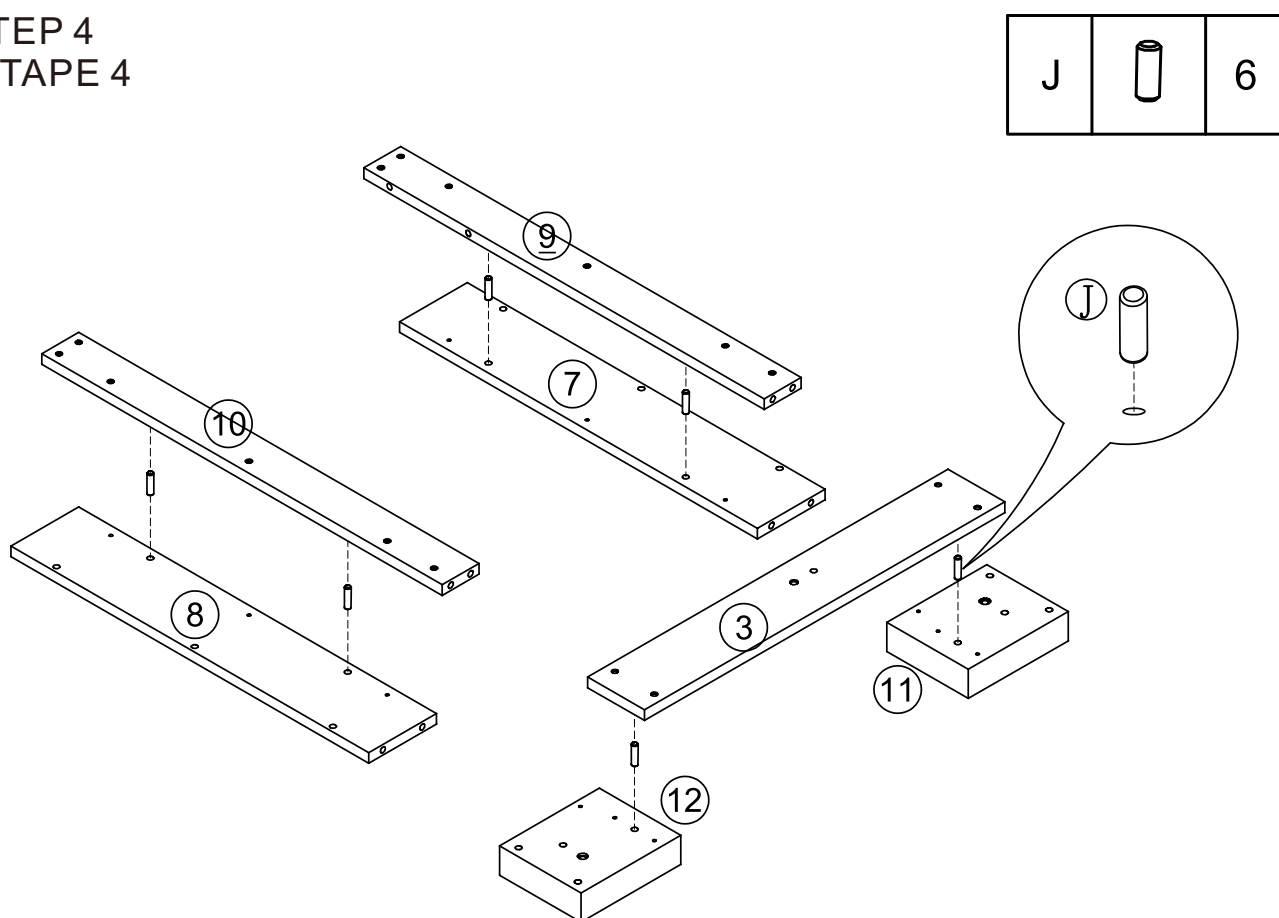
A		1
---	---	---



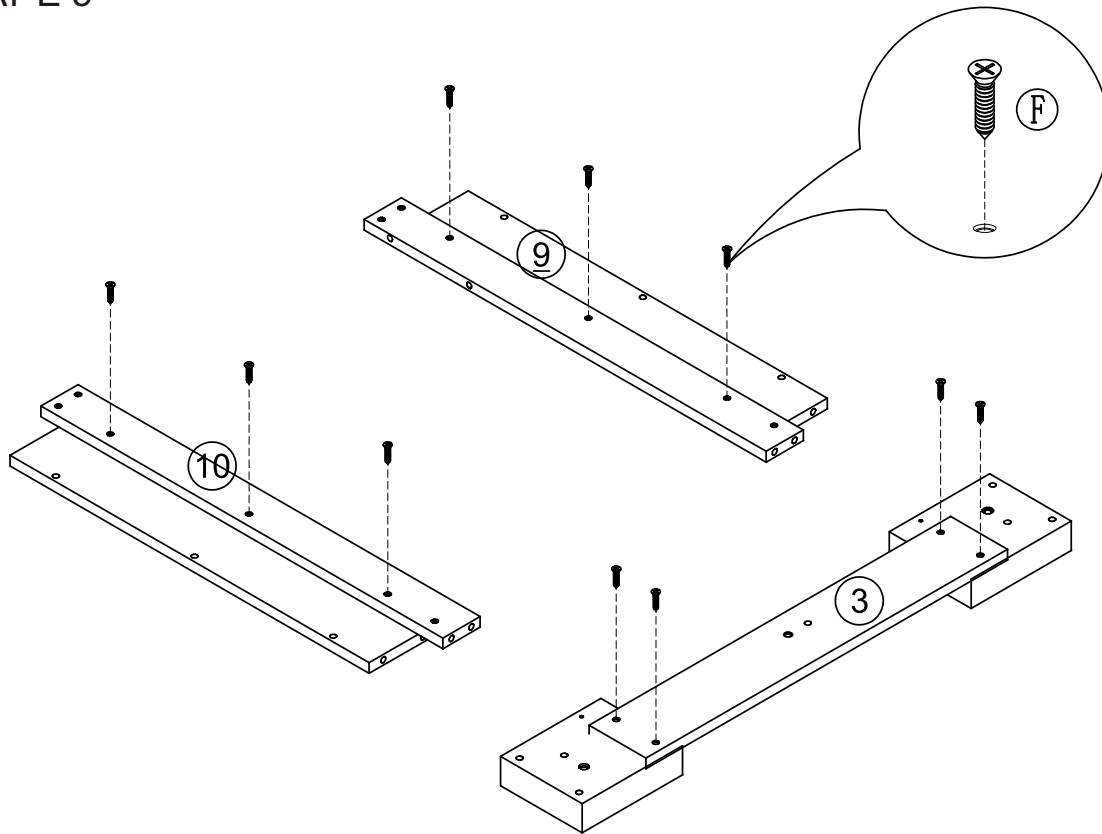
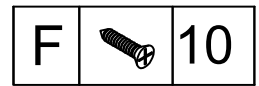
STEP 3
/ÉTAPE 3



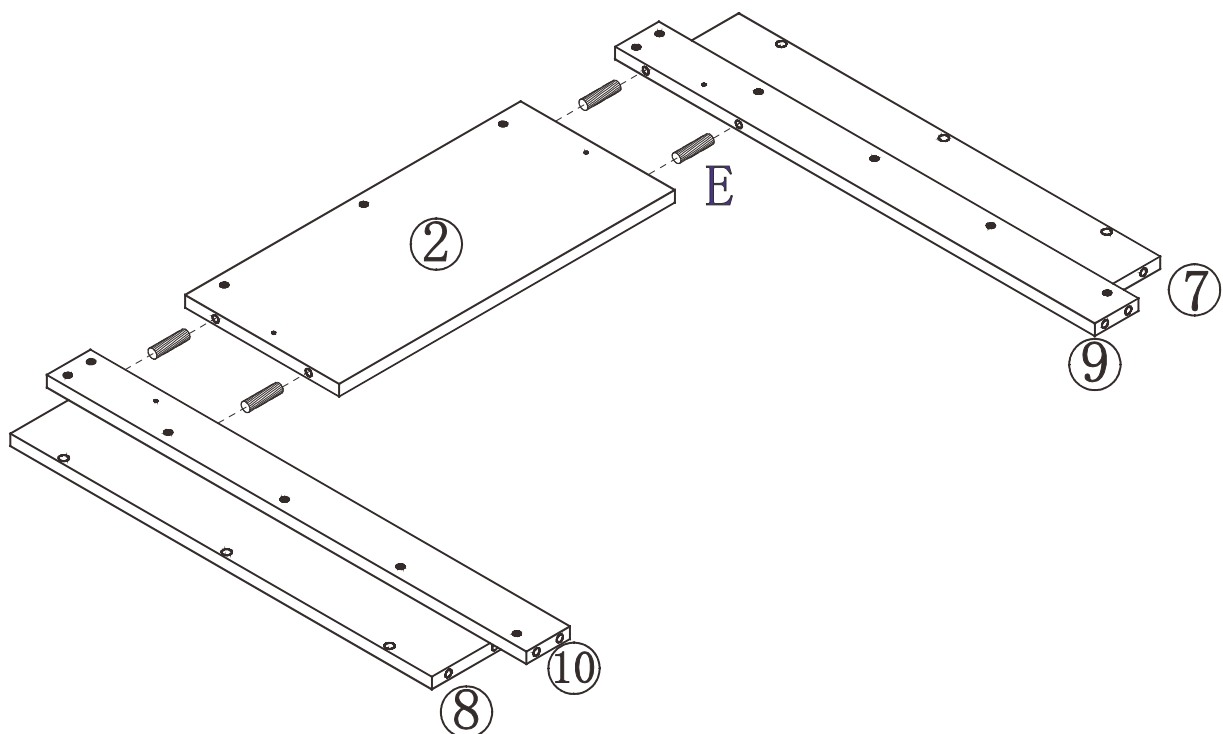
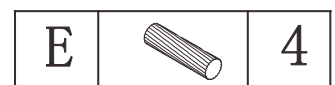
STEP 4
/ÉTAPE 4



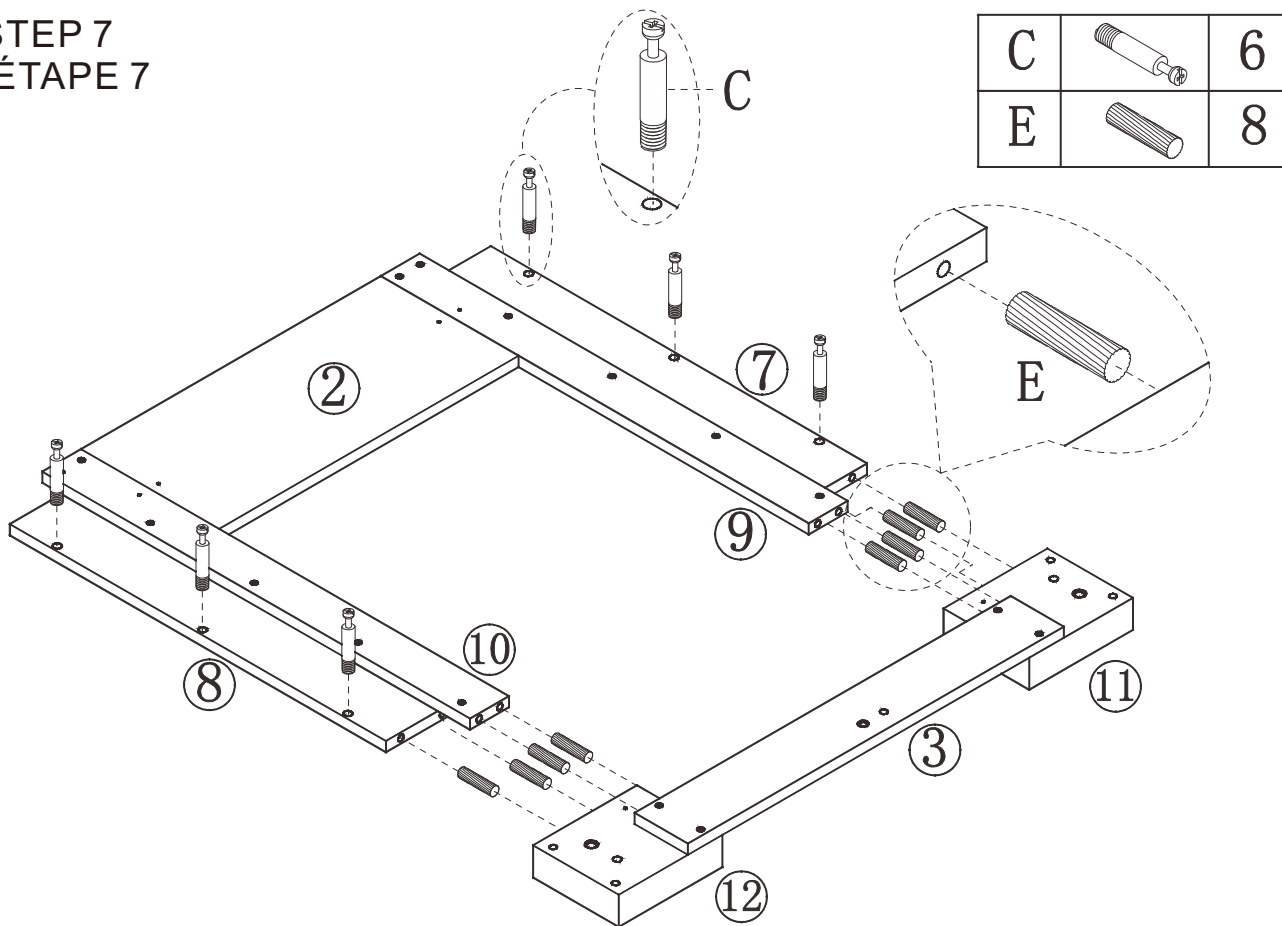
STEP 5
/ÉTAPE 5



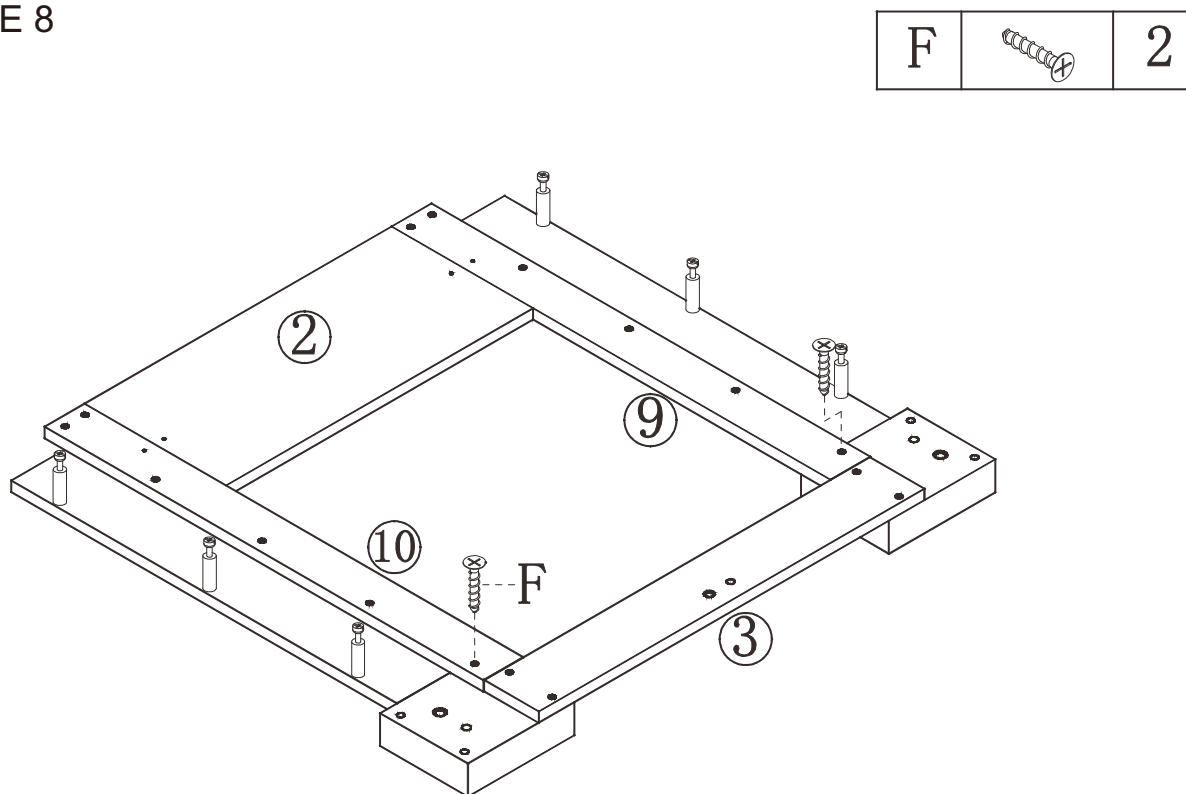
STEP 6
/ÉTAPE 6





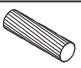
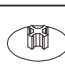
STEP 7
/ÉTAPE 7

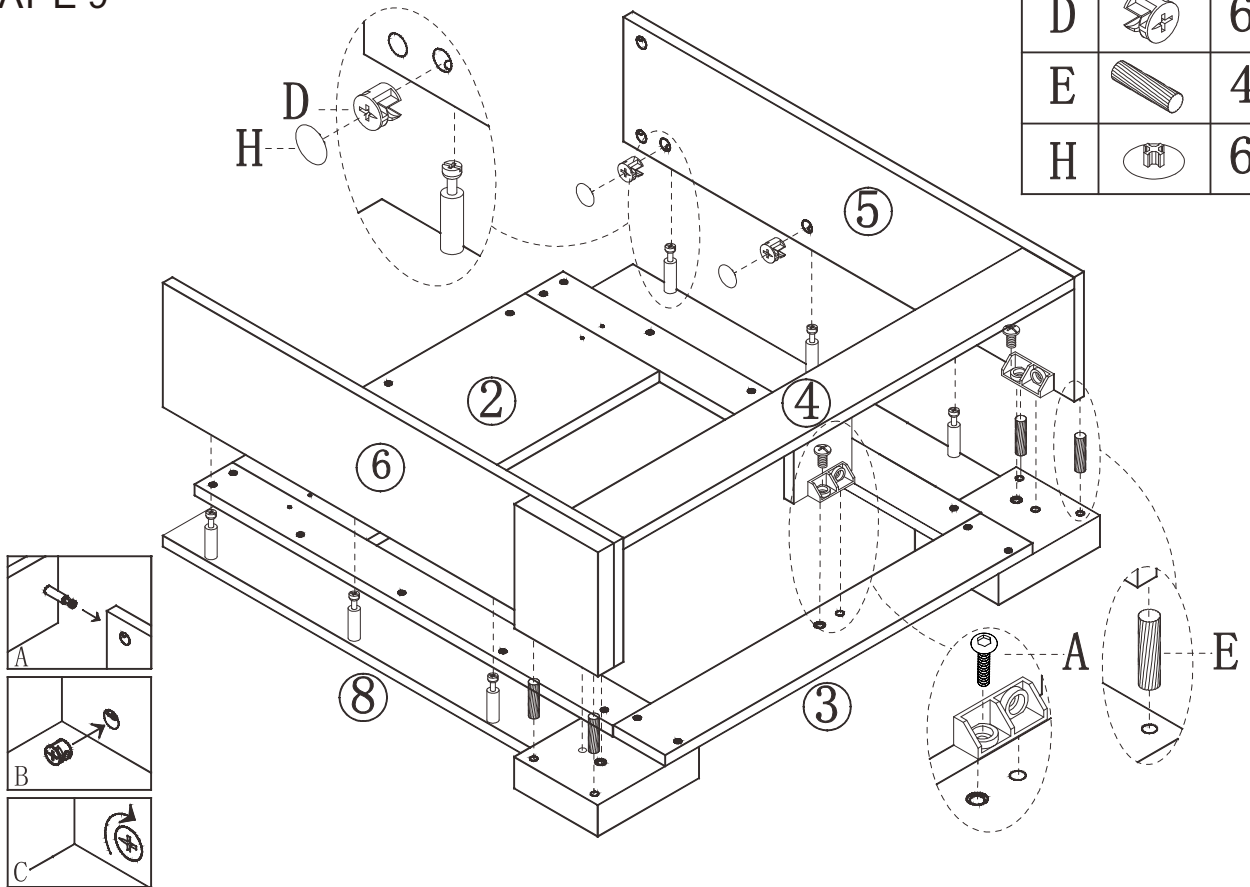


STEP 8
/ÉTAPE 8




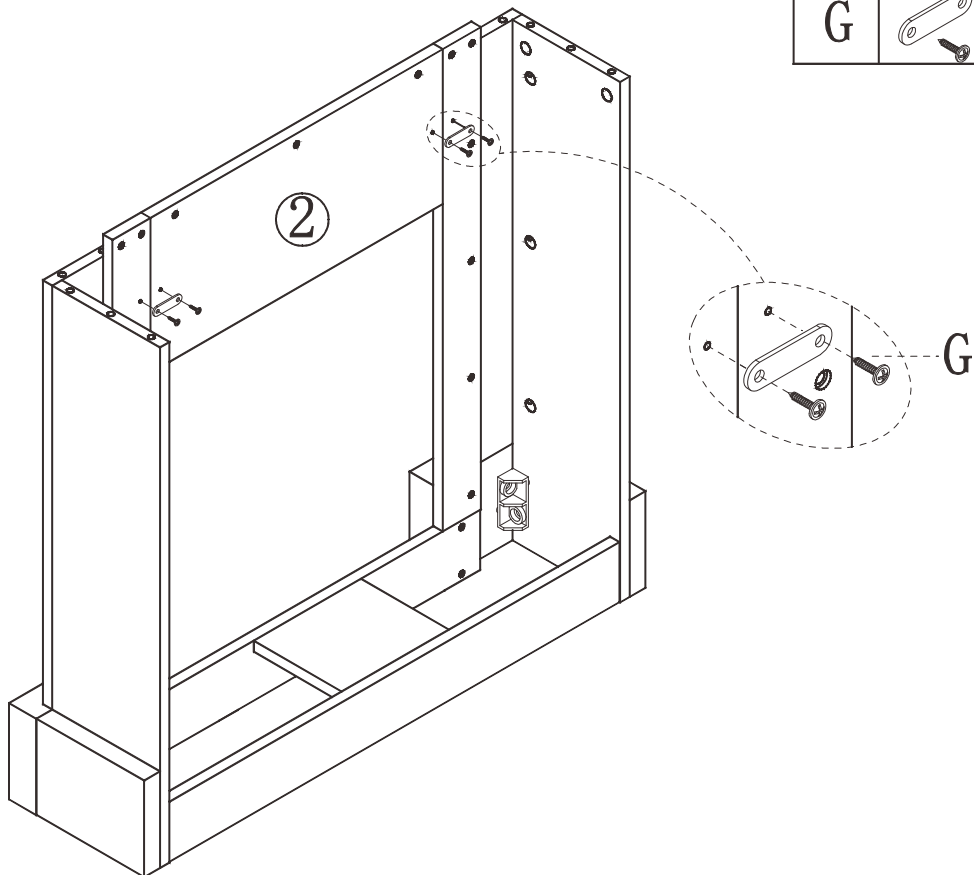
STEP 9
/ÉTAPE 9

A		3
D		6
E		4
H		6

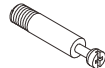


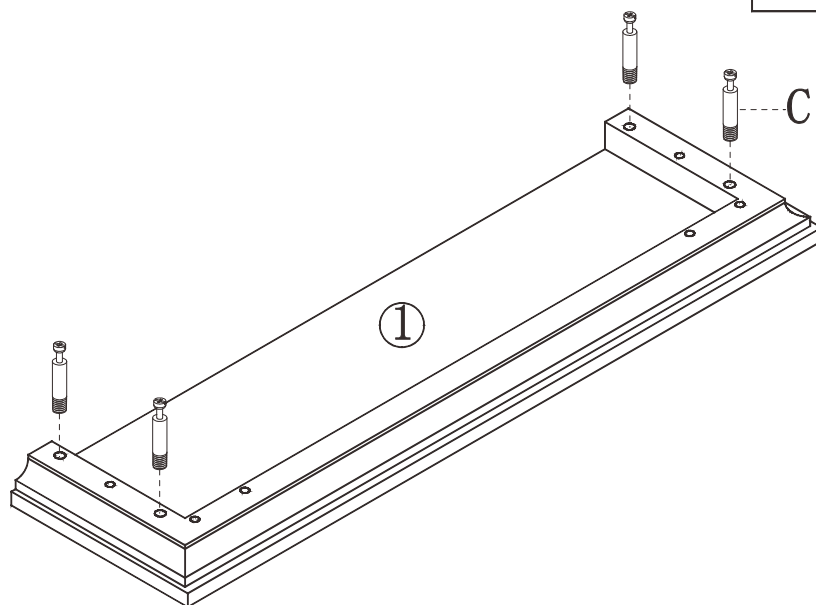
STEP 10
/ÉTAPE 10

G		2
---	---	---


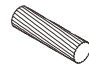




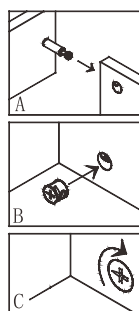
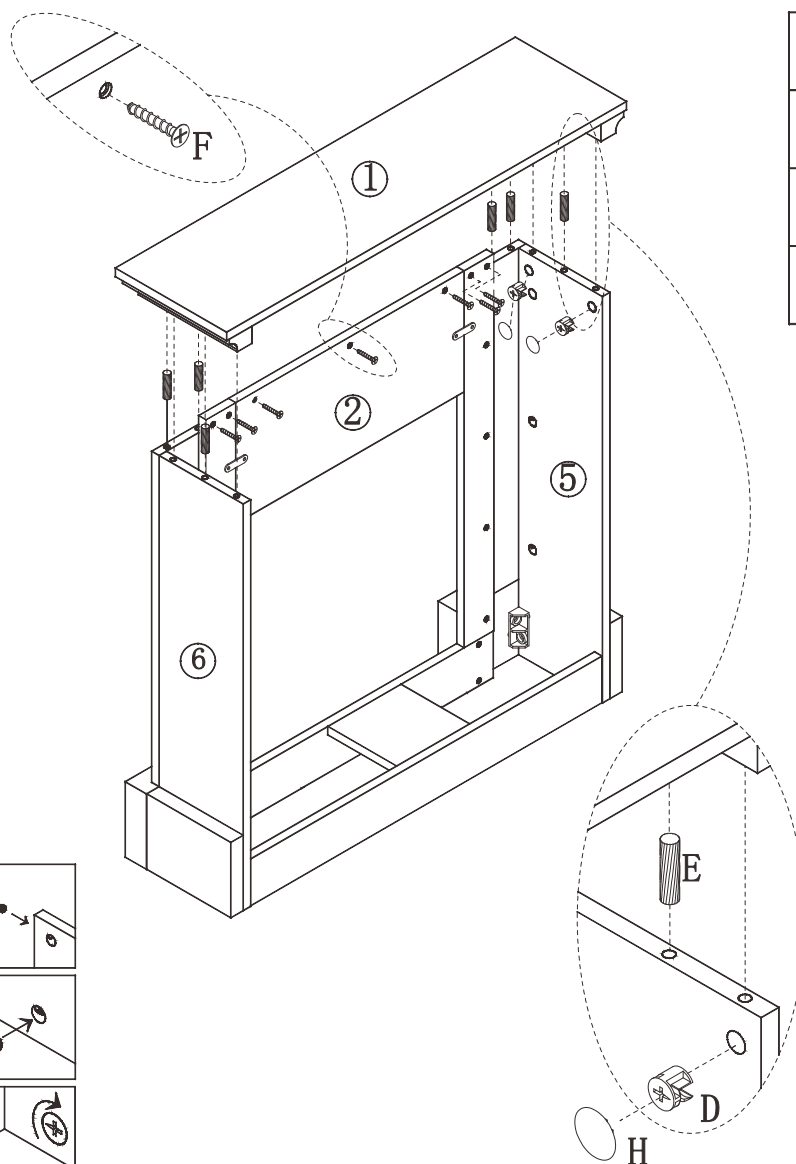
STEP 11
/ÉTAPE 11

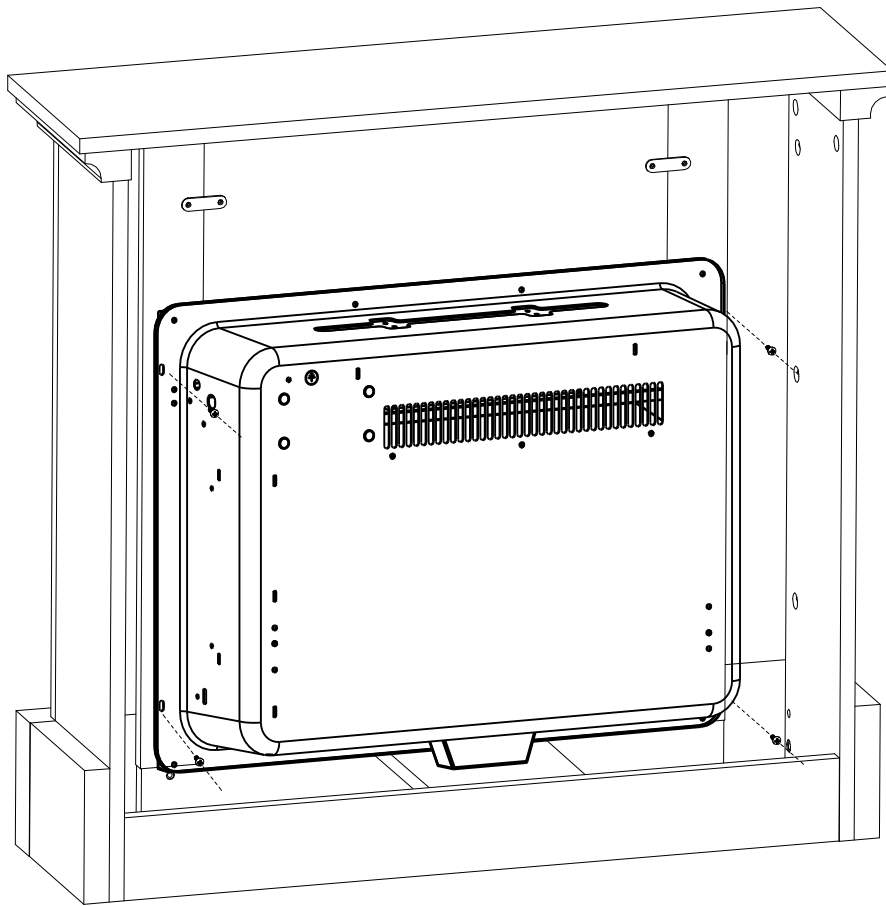
C		4
---	---	---



STEP 12
/ÉTAPE 12

D		4
E		6
F		7
H		4





FIREPLACE INSTALLATION

If you decide to install the fireplace into the mantel, carefully set the unit from the back of the mantel and center it in the opening.

Check the alignment and attach the unit to the mantel by inserting screws through the drilled holes on the trim to the mantel.

NOTE: Do not attempt to install the unit from the front of the mantel. It will not fit.

INSTALLATION DU FOYER

Si vous décidez d'installer le foyer dans la cheminée, placez le avec précaution par l'arrière de la cheminée et centrez-le dans l'ouverture.

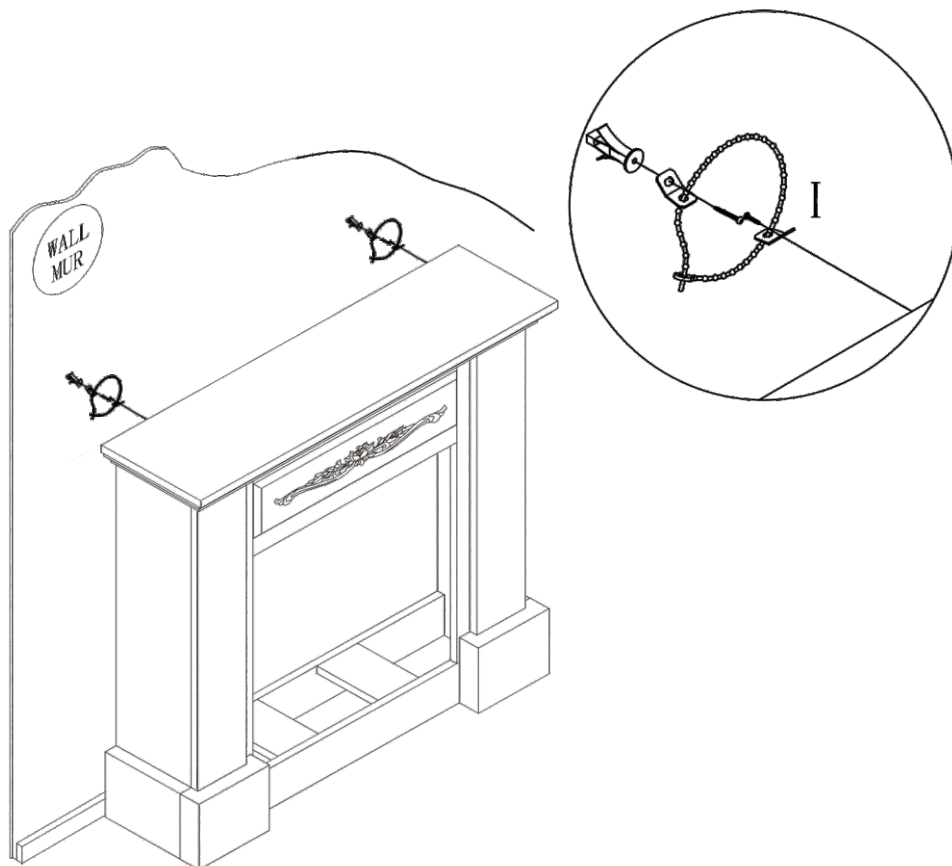
Vérifiez l'alignement et fixez l'appareil à la cheminée en insérant des vis dans les trous percés sur la garniture jusqu'à la cheminée.

REMARQUE : N'essayez pas d'installer l'appareil par l'avant de la cheminée. Il ne s'adaptera pas.

Prevent toppling
Installed anti-toppling can prevent toppling.



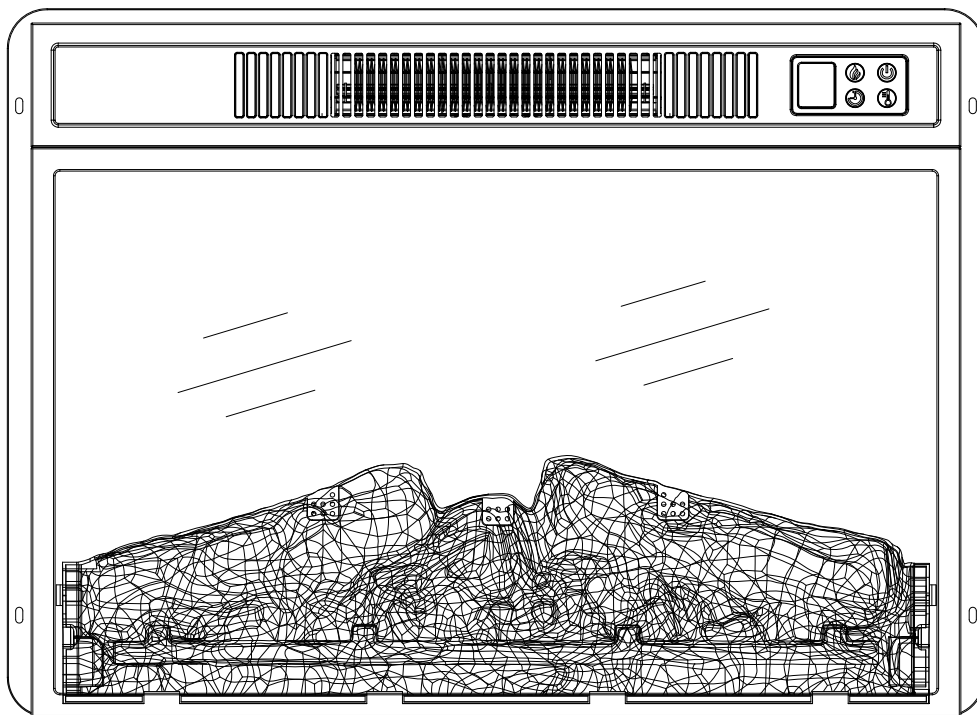
Eviter le basculement
Un dispositif anti-basculement installé peut empêcher le basculement du produit.



EN

USER MANUAL

Electric Fireplace



THIS INSTRUCTION BOOKLET CONTAINS IMPORTANT SAFETY INFORMATION.
PLEASE READ AND KEEP FOR FUTURE REFERENCE.

Table of Contents

Safety Information	
Pre-installation	
Assembly.....	
Operation.....	
Using the Remote Control.....	
Care and Maintenance	
Troubleshooting	

Safety Information

IMPORTANT SAFETY INFORMATION

PLEASE READ ALL OF THE INFORMATION IN THIS OPERATING MANUAL, INCLUDING ALL SAFETY, OPERATING, AND MAINTENANCE INFORMATION. TO AVOID THE POTENTIAL RISK OF FIRE, ELECTRIC SHOCK, OR INJURY TO PERSONS, USERS SHOULD FOLLOW THE DIRECTIONS AND WARNINGS IN THIS MANUAL

1. Read all instructions before using this heater.
2. Do not use this heater outdoors.
3. This heater is not intended for use in bathrooms, laundry areas and similar indoor locations. Never locate the heater where it may fall into a bathtub or other water container.
4. Do not run the power cord under carpeting. Do not cover the power cord with throw rugs, runners, or the like. Arrange the power cord away from traffic areas and where it will not be tripped over.
5. To disconnect the heater, turn controls to off, then remove the plug from the outlet.
6. Connect to properly grounded outlets only. Always plug heaters directly into a wall outlet/receptacle. Never use with an extension cord or relocatable power tap (outlet/power strip).
7. To prevent a possible fire, do not block firebox air intakes or the exhaust in any manner. Do not operate the firebox on soft surfaces, like a bed, where openings may become blocked.
8. There is a thermostat limiter inside the heater. When the inner temperature over heats or abnormal heating occurs, the thermostat protective device cuts off the power supply to avoid fireplace damaged or risk of fire.
9. Use this heater only as described in this manual. Any other use not recommended by the manufacturer may cause fire, electrical shock, or injury to persons.

SAVE THESE INSTRUCTIONS



WARNING

There are no user serviceable parts inside the fireplace/heater, If the unit appears to malfunction, turn the unit off and unplug the unit from the wall immediately, and contact Customer.



WARNING

This heater is hot when in use. To avoid burns, do not let bare skin touch hot surfaces. If provided, use handles when moving this heater. Keep combustible material, such as furniture, pillows, bedding, papers, clothes and curtains at least 3 f.t.(0.9 meters) from the front of the heater and keep them away from the sides and rear.



WARNING

Extreme caution is necessary when any heater is used by or near children or invalids and whenever the heater is left operating and unattended.



WARNING

Always unplug the heater when not in use.



WARNING

Do not operate any heater with a damaged cord or plug or after the heater malfunctions, has been dropped or damaged in any manner. Return the heater to an authorized service facility for examination, electrical or mechanical adjustment, or repair.



WARNING

Do not insert or allow foreign objects to enter any ventilation or exhaust openings as this may cause an electric shock or fire, or damage the heater.



WARNING

A heater has hot and arching or sparking parts inside. Do not use in areas where gasoline, paint, or flammable liquids are used or stored.



CAUTION

While the heater is in use, the top center of the fireplace can get hot to the touch, and may cause serious injury or burns. Always supervise small children around the fireplace/heater. Do not place any cloth or decorations over the heater outlet of the fireplace, or otherwise obstruct the heater outlet of the fireplace, as this may cause a fire and serious injury may result,

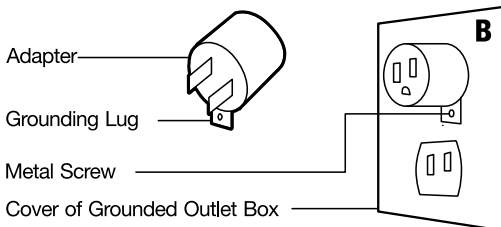
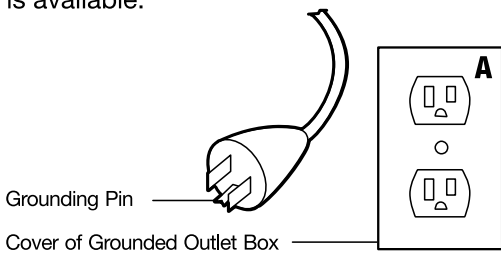
GROUNDING INSTRUCTIONS



Improper connection of the equipment-grounding conductor can result in a risk of electric shock. Check with a qualified electrician or serviceman if you are in doubt as to whether the product is properly grounded. Do not modify the plug provided with the product. If it will not fit the outlet, have a proper outlet installed by a qualified electrician.

This product must be grounded. If it should malfunction or breakdown, grounding provides a path of least resistance for electric current to reduce the risk of electric shock. This product is equipped with a cord having an equipment-grounding conductor and a grounding plug. The plug must be plugged into an appropriate outlet that is properly installed and grounded in accordance with all local codes and ordinances.

This heater is for use on 120-volt circuits and has a grounded plug. An adapter is available from your local electronics store or online supplier for connecting three-blade grounding-type plugs to two-slot receptacles. The green grounding lug extending from the adapter must be connected to a permanent ground such as a properly grounded outlet box. The adapter should not be used if a three-slot grounded receptacle is available.

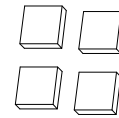


Pre-installation

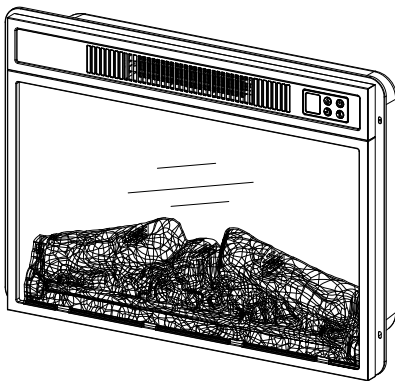
TECHNICAL SPECIFICATION

Model Number	Description
Dimensions(WxDxH)	21.1" x 6.3" x 19.7"
Net Weight	4.3kg/9.5 lb
Gross Weight	5.4kg/11.9 lb
Power Rating	1400W
Voltage	120V
Frequency	60Hz

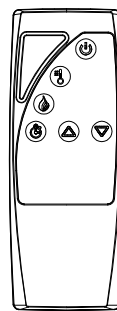
PACKAGE CONTENT



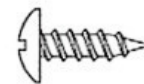
EVA cushion gasket



Fireplace Unit



Remote Control

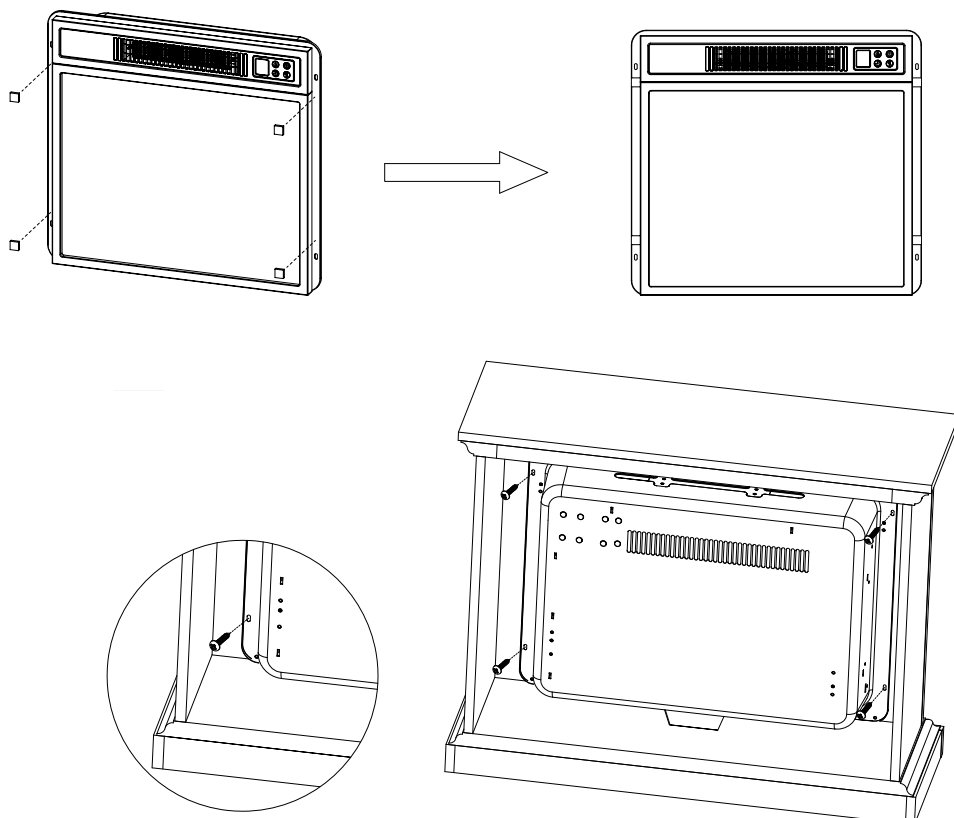


Screw x5

Assembly

● STEP 1

Put the EVA cushion gasket in as shown below to cushion the impact between the wood cabinet and the fireplace.



● STEP 2

Take out the unit from the box and layout all the spare parts for easy assembly. Make sure all small items are not left in packaging materials.

● STEP 3

Carefully set the unit from the back of the mantel and center it in the opening. Check the alignment and attach the unit of the mantel by inserting screws through the drilled holes on the trim of the mantel.

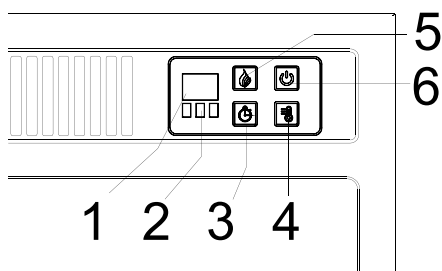
NOTE:

Do not attempt to install the unit from the front of the mantel. It will not fit.

Operation

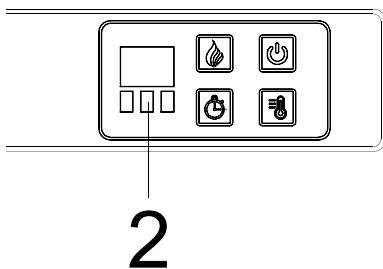
● Identifying the control panel

- The control panel is located on the top right corner of the fireplace/heater unit.
- The control panel contains the display unit (1), function indicator (2), timer function (3), heater control (4), flames control (5), and main power(6).
- The display unit (1) displays information about the flame level, timer, and current temperature.



● Understanding the function indicator

- The function indicator (2) has three square LEDs -red, green,and blue.The red LED indicates that the Fahrenheit temperature heating function is running, the green LED indicates that the Celsius temperature heating function is running, and the blue LED indicates that the timer function is engaged.
- To the bottom of the three LEDs, is the infrared receiver module which communicates with the remote control to control the heater.

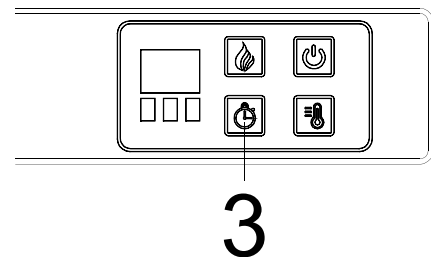


Operation

● Using the timer function

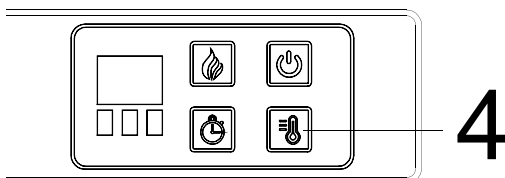
The timer button (3) allows you to set the amount of time you want the fireplace/heater to run. The timer button (3) operates both the flames and the heater function. If the heater is operating when the timer is set, then the heater is on the timer. If the flames are operating, then the timer will control the flames. If both the heater and flames are operating with the timer set, then the timer controls both the flames and the heater. Pressing the button in sequence will set the timer for a set interval. This interval period is shown in the display (1), in blue. The set intervals are displayed in this table. The timer interval is set from the time the interval is selected. There is no clock function for turning the heater or flames on or off at a specific time.

Button Press	Timer Interval	Display
1st press	30 Minutes	30
2nd press	1 Hour	1h
3rd press	2 Hours	2h
4th press	3 Hours	3h
5th press	4 Hours	4h
6th press	5 Hours	5h
7th press	6 Hours	6h
8th press	OFF	None



● Using the heater control

- The heater button (4) turns the heater on or off. There is no speed setting for the heater blower. If you put the heater in a standby mode (turn off by the main power button 6), the unit will hold the settings in the memory. When the power is turned back on, the heater will turn on at the same settings.
- When the heating function turns on, press and hold the heater button (4) for five seconds to enter temperature adjustment mode. The LED indicator is red. In adjustment mode, the display unit (1) flashes (interval is 0.5 second). There are 22 levels to change Fahrenheit temperature 72°F–73°F...82°F—ON—62F—63F ...71 F. After this is set, the display (1) will flash five times and exit from setting status. If idle, the display turns off after 10 seconds.
- With the heater on, gently press and hold the main power button for five seconds to enter temperature converting mode. The LED indicator flashes five times in red color then changes to green. In this converting mode, the display (1) flashes (interval is 0.5 second). Press and hold the heater button (4) for five seconds to enter temperature adjustment mode. There are 12 levels to change Celsius temperature 22C—23°C ...27°C—ON—17C—18..21C. After it is set, the display (1) flashes five times. If idle, the display turns off after 10 seconds. Repeat the same process to convert Celsius temperature into Fahrenheit temperature.



Operation

● Using the flame control

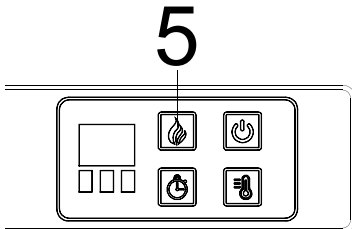
• Press the flame button (5) to set the flames for different levels of flame height. These flame levels are shown in the display (1). The flame settings are as follows:

Button Press	Flame Level	Display value	Fireplace Appearance
1st press	High	L3	Flames Highest, Logs Glow Highest
2nd press	Medium	L2	Flames Medium, Logs Glow Medium
3rd press	Low	L1	Flames Low, Logs Glow Low
4th press	All Off	None	Flames Off, Logs off

• Regardless of the previous flame setting, when powered off by the main power button(6), the flames will come on in L3 mode(High)when you turn the heater on.

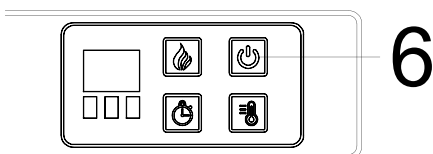
• When the heater function turns on, the flame level will cycle through the 3 different level settings continuously.

Button Press	Flame Level	Display value	Fireplace Appearance
1st press	High	L3	Flames Highest, Logs Glow Highest
2nd press	Medium	L2	Flames Medium, Logs Glow Medium
3rd press	Low	L1	Flames Low, Logs Glow Low

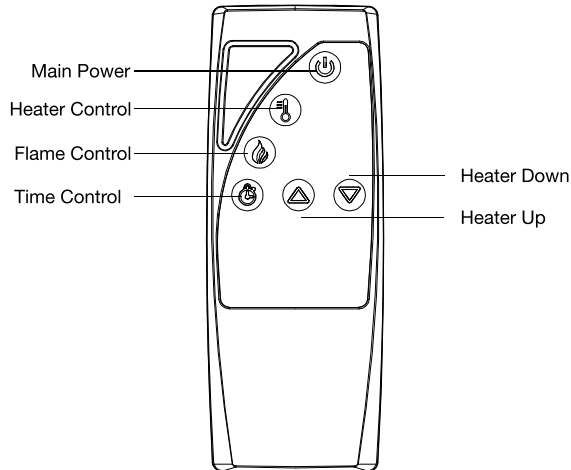


● Using the main power button

• Press the power button(6) to turn the fireplace/heater unit on and off. Press the power button (6) once to turn the unit on. Press again to turn the unit off.



Using the Remote Control



● Using the Remote control

The operation of the remote control buttons work the same as button on the control panel.

NOTE:

The remote control cannot be used to switch between degree Fahrenheit and degree Celsius.

● Install the battery

For replacement batteries, use AAA batteries.

Press down and slide back cover off the battery compartment.

Insert two provided AAA batteries into the battery compartment making sure that the ends of the batteries with the negative(-) symbols are against the springs in the battery compartment.

Replace the battery compartment cover, making sure it snaps into position.



WARNING

Do not ingest batteries.

1. Non-rechargeable batteries are not to be recharged.
2. Batteries are to be inserted with the correct polarity.
3. Exhausted batteries are to be removed from the product.
4. Always purchase the correct size and grade of battery most suitable for the intended use.
5. Replace all batteries of a set at the same time. .
6. Clean the battery contacts and also those of the device prior to battery installation.
7. Remove batteries from equipment when not used for an extended period of time.



NOTE:

Battery disposal
Please always dispose
of batteries at a suitable
recycling point.



Care and Maintenance

WARNING

Always disconnect from the power supply before cleaning the heater.
First turn off the main power.
Then remove the electrical plug from the wall outlet.

WARNING

Do not use this fireplace insert if any part of it has been under water.
Immediately call a qualified service technician to inspect the firebox and
replace any part of the electrical system which has been underwater.

The blower motor and flame motor are pre-lubricated for a durable using time and need no further lubrication or maintenance. To remove any accumulation of dust or debris, the soft brush attachment of a vacuum cleaner should occasionally be used to clean the outlet grille of the fan heater.

- Use a soft, clean cloth that will not scratch the surface when dusting.
- Use a clean soft cloth dampened with warm water to clean the fireplace surface.
DO NOT use household or abrasive cleaners, as these products may damage the surface.
- When cleaning the glass viewing screen use a non-abrasive damp cloth with liquid cleaner or soft soap if necessary; Don NOT use cleaning powders or any other substance with abrasives since these substances will scratch glass.
- Under no circumstances should this product be operated with a broken or chipped glass panel.
- Do not strike or slam the glass.
- In the event that your appliance is stained or otherwise damaged during use, we recommend that you call a professional to it.
- When not in use please unplug the cord from the outlet to prevent any damage or accidents.

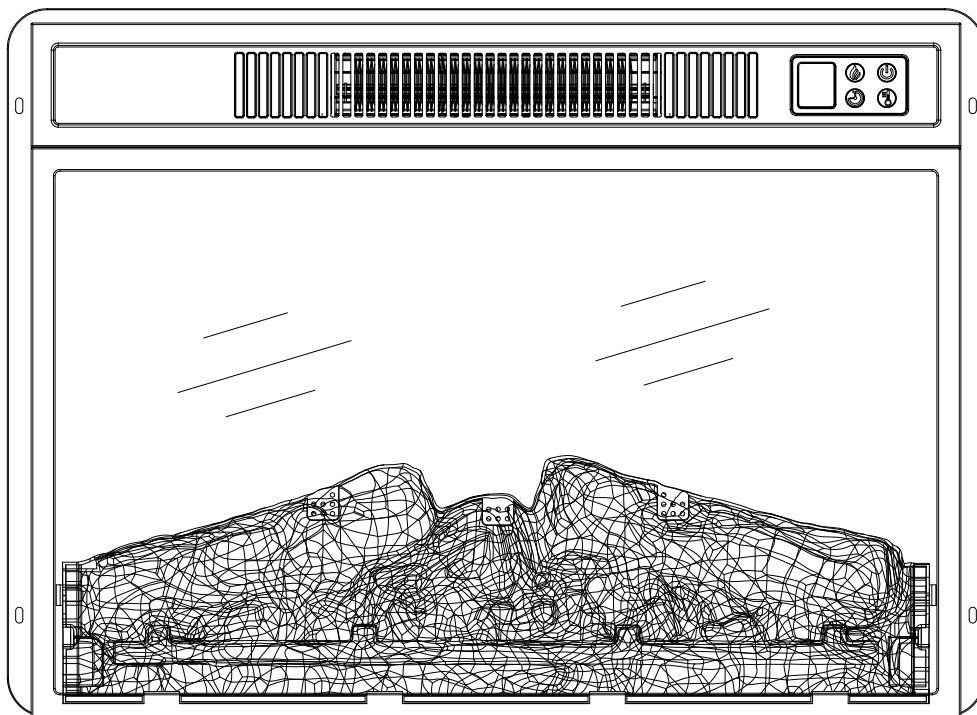
Troubleshooting

Problem	Solution
The unit does not turn on	Make sure the unit is plugged into a standard 120V grounded power source. Press the power button on the control panel.
Flame effect is on, but there is no flame effect	Open the top and back panel to check if the flame spindle has fallen off from the spindle motor.
The heater does not blow warm air	Make sure the set temperature is higher than the room temperature.
The heater does not work	Turn all switches to OFF and unplug the unit for 5 minutes. Plug the unit back to power and operate as normal.
Error Code E3 shown on the indicator	Reset the unit by unplug the unit from power source for 5 minutes and then plug it back.
Remote control does not work	Use it closer to the unit / change battery / remove insulating plastic sheet.

FR

MANUEL D'UTILISATION

Foyer Électrique



CE MANUEL D'INSTRUCTIONS CONTIENT DES INDICATIONS IMPORTANTES EN
MATIÈRE DE SÉCURITÉ.

VEUILLEZ LE LIRE ET LE CONSERVER POUR VOUS Y REFERER
ULTÉRIEUREMENT.

Table des matières

Consignes de sécurité.....	28
Avant la mise en marche.....	31
Assemblage.....	32
Mise en marche.....	33
Utiliser la télécommande.....	36
Entretien et maintenance.....	37
Dépannage.....	38

Consignes de sécurité

CONSIGNES IMPORTANTES DE SÉCURITÉ

VEUILLEZ LIRE ATTENTIVEMENT TOUTES LES INSTRUCTIONS DE CE MANUEL D'UTILISATION, Y COMPRIS LES CONSIGNES RELATIVES À LA SÉCURITÉ, À L'UTILISATION ET À L'ENTRETIEN DE L'APPAREIL. POUR ÉVITER TOUT RISQUE D'INCENDIE, D'ÉLECTROCUTION OU DE BLESSURE, LES UTILISATEURS DOIVENT LIRE LES INDICATIONS ET MISES EN GARDE FIGURANT DANS LE PRÉSENT MANUEL.

1. Lisez entièrement les instructions avant d'utiliser ce produit.
2. Ne pas utiliser cet appareil à l'extérieur.
3. Cet appareil de chauffage n'est pas adapté à une utilisation dans les salles de bains, les buanderies et autres lieux intérieurs similaires. Ne jamais l'installer dans un endroit où il pourrait se retrouver dans une baignoire ou un autre récipient contenant de l'eau.
4. Ne pas faire passer le cordon d'alimentation sous une moquette. Ne pas couvrir le cordon d'alimentation avec des tapis, des patins ou autres. Disposez le cordon d'alimentation à l'écart des zones de circulation et à un endroit où l'on ne risque pas de trébucher dessus.
5. Pour débrancher l'appareil de chauffage, mettez les commandes sur arrêt, puis retirez la fiche de la prise de courant.
6. Ne branchez l'appareil que sur des prises de courant correctement mises à la terre. Toujours brancher les appareils de chauffage directement dans une prise murale. Ne jamais le brancher sur une rallonge ou une prise de courant rechargeable (prise de courant/barre d'alimentation).
7. Pour éviter tout risque d'incendie, n'obstruez pas les entrées d'air du foyer ou les sorties d'air de quelque manière que ce soit. Ne pas faire fonctionner le foyer sur des surfaces molles, comme un lit, où les ouvertures peuvent être obstruées.
8. L'appareil de chauffage est équipé d'un limiteur de température. En cas de surchauffe de la température intérieure ou de chauffage anormal, le dispositif de protection du thermostat coupe l'alimentation électrique afin d'éviter que le foyer ne soit endommagé ou qu'il n'y ait un risque d'incendie.
9. N'utilisez cet appareil de chauffage que de la manière décrite dans ce manuel. Toute autre utilisation non recommandée par le fabricant peut provoquer un incendie, un choc électrique ou des blessures.

CONSERVEZ CES INSTRUCTIONS



AVERTISSEMENT

L'appareil de chauffage/foyer ne comporte aucune pièce réparable par l'utilisateur. Si l'appareil semble mal fonctionner, éteignez-le et débranchez-le immédiatement, puis contactez le service client.



AVERTISSEMENT

Cet appareil de chauffage devient très chaud lorsqu'il est utilisé. Pour éviter les brûlures, ne laissez pas la peau nue entrer en contact avec les surfaces chaudes. Si l'appareil en est pourvu, utilisez les poignées pour le déplacer. Maintenez les matériaux combustibles, tels que les meubles, les oreillers, la literie, les papiers, les vêtements et les rideaux à au moins 0,9 mètre (3 pieds) de l'avant du chauffage et éloignez-les des côtés et de l'arrière.



AVERTISSEMENT

Il convient de faire preuve d'une extrême prudence lorsqu'un appareil de chauffage est utilisé par ou à proximité d'enfants ou d'invalides, et chaque fois que l'appareil est laissé en fonctionnement sans surveillance.



AVERTISSEMENT

Toujours débrancher l'appareil de chauffage lorsqu'il n'est pas utilisé.



AVERTISSEMENT

Ne pas faire fonctionner un appareil de chauffage dont le cordon ou la fiche est endommagé ou si l'appareil fonctionne mal, est tombé ou a été endommagé de quelque manière que ce soit. Retourner l'appareil de chauffage à un centre de service agréé pour examen, réglage électrique ou mécanique, ou réparation.



AVERTISSEMENT

Ne pas introduire ou laisser pénétrer de corps étrangers dans les ouvertures de ventilation ou d'évacuation, sous peine de provoquer un choc électrique ou un incendie, ou d'endommager l'appareil de chauffage.



AVERTISSEMENT

Un appareil de chauffage renferme des pièces chaudes, qui produisent des arcs ou des étincelles. Ne pas utiliser l'appareil dans des endroits où de l'essence, de la peinture ou des liquides inflammables sont utilisés ou stockés.



ATTENTION

Lorsque l'appareil de chauffage est en cours d'utilisation, le centre supérieur du foyer peut devenir chaud au toucher, et peut provoquer des blessures graves ou des cloques. Surveillez toujours les jeunes enfants à proximité du foyer/de l'appareil de chauffage. Ne pas mettre de tissu ou de décorations sur la sortie de l'appareil de chauffage du foyer, ni obstruer la sortie de l'appareil de chauffage du foyer, car cela pourrait provoquer un incendie et des blessures graves.

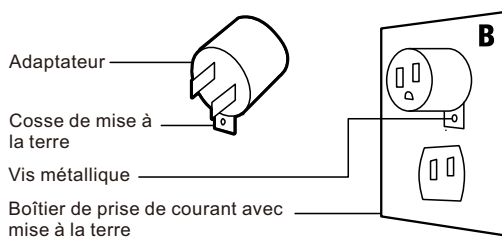
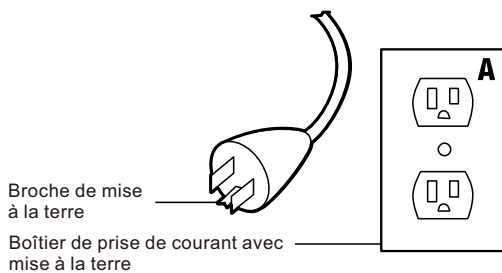
INSTRUCTIONS DE MISE À LA TERRE



Une mauvaise connexion du conducteur de mise à la terre de l'équipement peut constituer un risque d'électrocution. Vérifiez auprès d'un électricien ou d'un technicien qualifié si vous avez des doutes quant à la mise à la terre de l'appareil. Ne pas modifier la fiche fournie avec le produit. Si elle n'est pas adaptée à la prise de courant, faites installer une prise de courant appropriée par un électricien qualifié.

Ce produit doit être mis à la terre. En cas de dysfonctionnement ou de panne, la mise à la terre fournit un chemin de moindre résistance pour le courant électrique afin de réduire le risque d'électrocution. Ce produit est équipé d'un cordon muni d'un conducteur de mise à la terre et d'une fiche de mise à la terre. La fiche doit être branchée dans une prise de courant appropriée, correctement installée et mise à la terre conformément à tous les codes et règlements locaux.

Cet appareil de chauffage est destiné à être utilisé sur des circuits de 120 volts et dispose d'une fiche de mise à la terre. Un adaptateur est disponible pour connecter des fiches de mise à la terre à trois lames à des prises à deux fentes. La cosse de mise à la terre verte qui sort de l'adaptateur doit être reliée à une terre permanente telle qu'une boîte de sortie correctement mise à la terre. L'adaptateur ne doit pas être utilisé si une prise de terre à trois fentes est disponible.

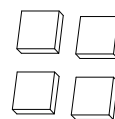


Avant la mise en marche

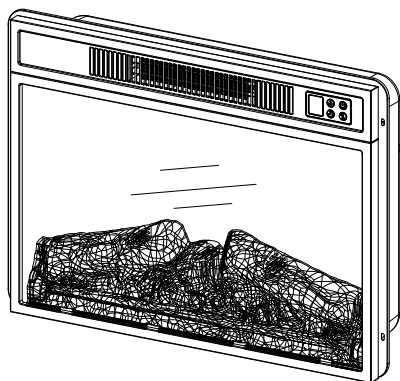
SPÉCIFICATION TECHNIQUE

Numéro Modèle	Description
Dimensions (L×P×H)	53. 59 x 16. 00 x 50.04
Poids Net	4,3kg/9,5lb
Poids brut	5,4kg/11,9lb
Puissance nominale	1400W
Tension	120V
Fréquence	60Hz

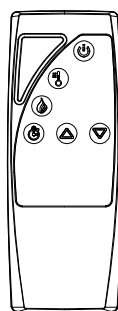
CONTENU DE L'EMBALLAGE



Joint d'étanchéité EVA



Foyer



Télécommande

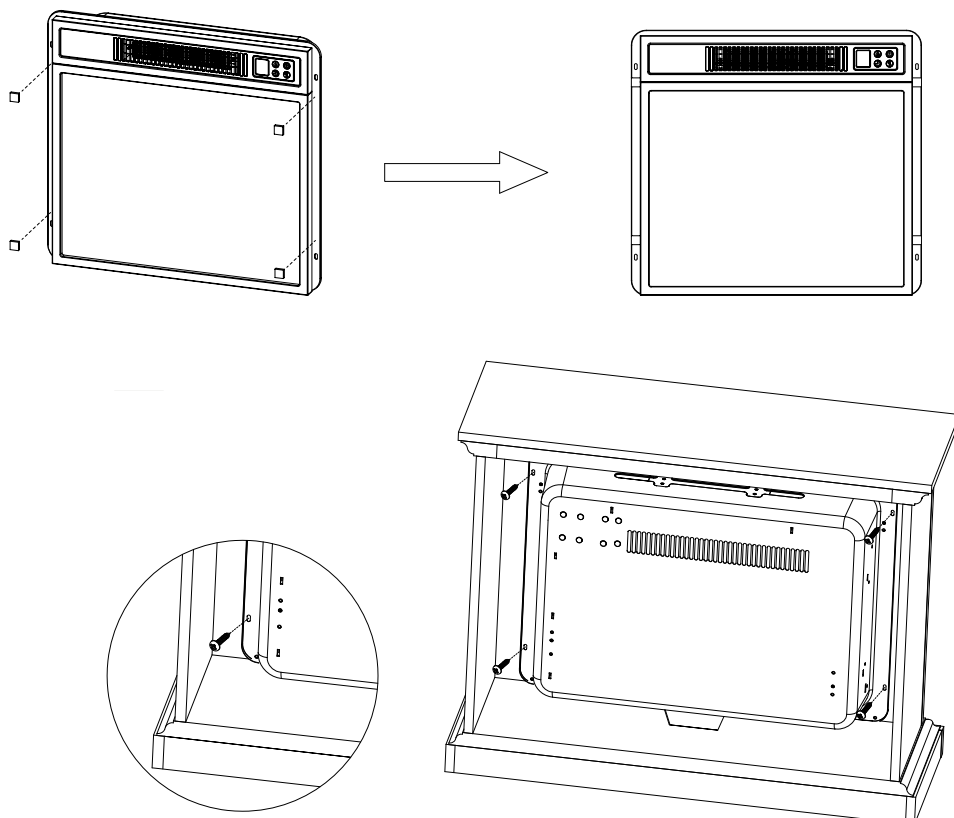


Vis×5

Assemblage

● ÉTAPE 1

Placez le joint d'étanchéité EVA comme indiqué ci-dessous pour amortir le choc entre l'armoire à bois et le foyer.



● ÉTAPE 2

Sortez l'appareil de son emballage et disposez toutes les pièces détachées pour faciliter le montage. Vérifiez que les petits objets ne sont pas oubliés dans les matériaux d'emballage.

● ÉTAPE 3

Installez soigneusement l'appareil à l'arrière de la cheminée et centrez-le dans l'ouverture. Vérifiez l'alignement et fixez l'appareil à la cheminée en le vissant à travers les trous percés sur la garniture de la cheminée.

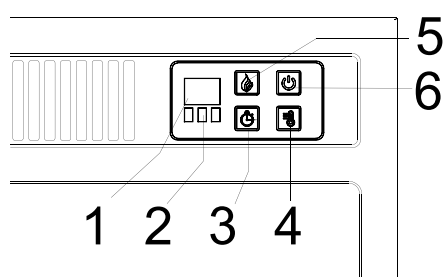
REMARQUE:

N'essayez pas d'installer l'appareil à partir de l'avant de la cheminée. Il ne s'adaptera pas.

Mise en marche

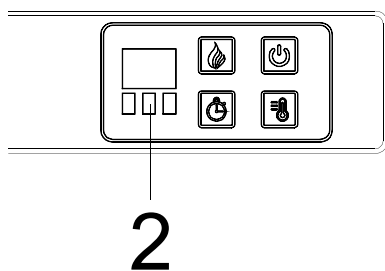
● Panneau de commande

- Le tableau de commande est situé dans le coin supérieur droit du foyer/appareil de chauffage.
- Le panneau de commande regroupe l'unité d'affichage (1), l'indicateur de marche (2), la fonction de minuterie (3), le contrôle du chauffage (4), le contrôle des flammes (5) et le bouton d'alimentation principale (6).
- L'unité d'affichage (1) affiche des informations sur le niveau de flamme, la minuterie et la température actuelle.



● Indicateur de marche

- L'indicateur de marche (2) présente trois LED carrées - rouge, verte et bleue. Le voyant rouge indique que la fonction de chauffage en degrés Fahrenheit est activée, le voyant vert indique que la fonction de chauffage en degrés Celsius est activée et le voyant bleu indique que la fonction de minuterie est activée.
- En bas des trois LED, se trouve le module récepteur infrarouge qui communique avec la télécommande pour contrôler l'appareil de chauffage.

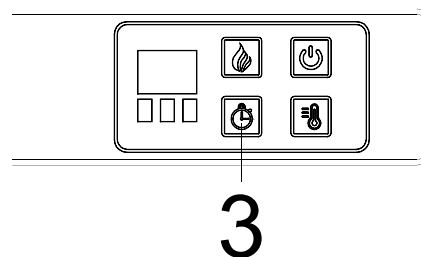


Mise en marche

● Fonction de minuterie

- Le bouton de minuterie (3) permet de programmer la durée de fonctionnement du foyer/chauffage. Le bouton de minuterie (3) commande à la fois les flammes et le chauffage, si le chauffage fonctionne lorsque la minuterie est programmée, celui-ci est commandé par la minuterie ; si ce sont les flammes qui fonctionnent, elles dépendront de la minuterie ; si le chauffage et les flammes fonctionnent lorsque la minuterie est programmée, la minuterie contrôlera les flammes et le chauffage. En appuyant successivement sur les boutons, la minuterie est réglée pour un intervalle donné. Cette période d'intervalle est affichée en bleu sur l'écran (1). Les intervalles définis sont indiqués dans le tableau ci-dessous. La minuterie commence à fonctionner à partir du moment où l'intervalle est sélectionné. Il n'existe pas de fonction d'horloge permettant d'allumer ou d'éteindre l'appareil de chauffage ou les flammes à une heure précise.

Appui sur le bouton	Intervalle de temps	Affichage
Appui 1ère fois	30 Minutes	30
2ème fois	1 Heure	1h
3ème fois	2 Heures	2h
4ème fois	3 Heures	3h
5ème fois	4 Heures	4h
6ème fois	5 Heures	5h
7ème fois	6 Heures	6h
8ème fois	OFF	Aucun



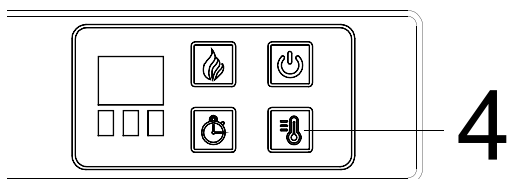
● Contrôle du chauffage

- Le bouton de chauffage (4) permet d'allumer ou d'éteindre le chauffage. Il n'y a pas de réglages de vitesse pour le ventilateur de l'appareil de chauffage. Si vous mettez l'appareil de chauffage en mode veille (éteint par le bouton d'alimentation principal 6), l'appareil gardera les réglages en mémoire. Lors de la remise sous tension, l'appareil de chauffage se met en marche avec les mêmes réglages.
- Lorsque la fonction de chauffage est activée, appuyez sur le bouton de chauffage (4) et maintenez-le enfoncé pendant cinq secondes pour passer en mode de réglage de la température. L'indicateur LED est rouge. En mode réglage, l'unité d'affichage (1) clignote (intervalle de 0,5 seconde). Il y a 22 niveaux pour modifier la température en degrés Fahrenheit 72°F-73°F...82°F-ON-62F-63F ...71 F.

Une fois le réglage effectué, l'écran (1) clignote cinq fois et quitte l'état de réglage.

En cas d'inactivité, l'écran s'éteint au bout de 10 secondes.

- Lorsque l'appareil de chauffage est allumé, maintenez le bouton d'alimentation principal légèrement enfoncé pendant cinq secondes pour passer en mode de conversion de la température. L'indicateur LED clignote cinq fois en rouge puis passe au vert. Dans ce mode de conversion, l'écran (1) clignote (à un intervalle de 0,5 seconde). Appuyez sur le bouton de chauffage (4) et maintenez-le enfoncé pendant cinq secondes pour passer en mode de réglage de la température. Il y a 12 niveaux pour modifier la température en Celsius 22C-23°C ...27-C-ON -17C-18..21C. Une fois le réglage effectué, l'écran (1) clignote cinq fois. En cas d'inactivité, l'écran s'éteint au bout de 10 secondes. Répétez le même processus pour passer de la température Celsius à la température Fahrenheit.



Mise en marche

● Contrôle de la flamme

• Appuyez sur le bouton de réglage de la flamme (5) pour définir différents niveaux de hauteur de flamme. Ces niveaux de flamme sont affichés sur l'écran.

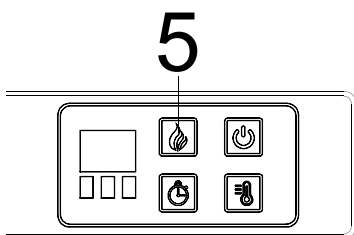
1) Les différents réglages de la flamme sont les suivants :

Appui sur le bouton	Niveau de flamme	Affichage	Présentation
Appui 1ère fois	Élevé	L3	Flammes plus vives, bûches plus brillantes
2ème fois	Moyen	L2	Flammes moyennes, bûches moyennement lumineuses
3ème fois	Faible	L1	Faibles flammes, bûches peu lumineuses
4ème fois	Tout est éteint	Aucun	Flammes éteintes, bûches éteintes

• Quel que soit le réglage précédent des flammes, lorsque l'appareil est éteint en appuyant sur le bouton d'alimentation principal (6), les flammes seront en mode L3 (élevé) lorsque vous rallumerez l'appareil de chauffage.

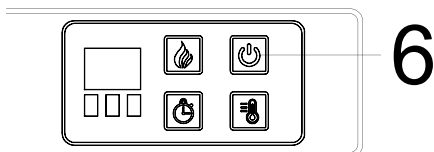
• A la mise en marche de l'appareil de chauffage, le niveau de flamme alterne entre les 3 niveaux de réglage en continu.

Appui sur le bouton	Niveau de flamme	Affichage	Présentation
Appui 1ère fois	Élevé	L3	Flammes plus vives, bûches plus brillantes
2ème fois	Moyen	L2	Flammes moyennes, bûches moyennement lumineuses
3ème fois	Faible	L1	Faibles flammes, bûches peu lumineuses

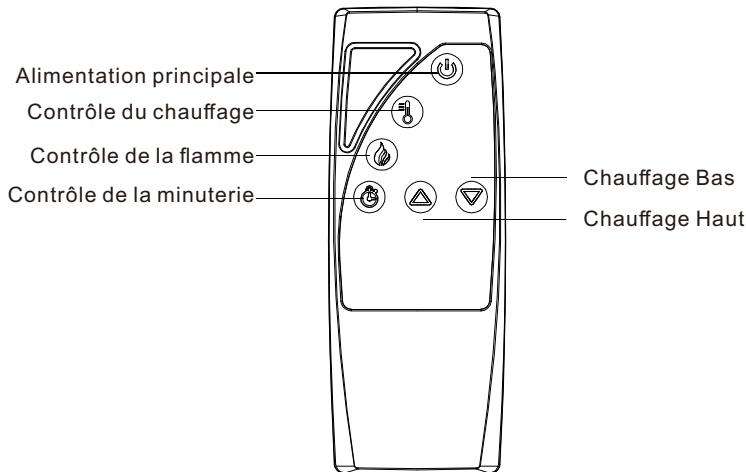


● Bouton d'alimentation principal

• Appuyez sur le bouton d'alimentation (6) pour allumer et éteindre le foyer/appareil de chauffage. Appuyez une fois sur le bouton d'alimentation (6) pour allumer l'appareil et une seconde fois pour l'éteindre.



Utiliser la télécommande



● Utiliser la télécommande

Les boutons de la télécommande fonctionnent de la même manière que les boutons du panneau de commande.

REMARQUE: La télécommande ne peut pas être utilisée pour alterner entre les degrés Fahrenheit et les degrés Celsius.

● Installation des piles

Pour le remplacement des piles, utilisez des piles AAA.

Appuyez sur le couvercle arrière et faites-le glisser pour le retirer du compartiment à piles.

Insérez deux piles AAA fournies dans le compartiment à piles en veillant à ce que les extrémités des piles portant le symbole négatif (-) soient contre les ressorts du compartiment à piles.

Remplacez le couvercle du compartiment à piles en vous assurant qu'il s'enclenche en position.



AVERTISSEMENT

Ne pas ingérer les piles.

1. Les piles non rechargeables ne doivent pas être rechargées.
2. Les piles doivent être mises en place en respectant la polarité.
3. Les piles épuisées doivent être retirées du produit.
4. Acheter toujours la pile de catégorie et de taille appropriées à l'utilisation prévue.
5. Remplacer toutes les piles d'un jeu en même temps.
6. Nettoyer les bornes de la pile ainsi que celles de l'appareil avant l'installation de la pile.
7. Retirer les piles de l'équipement lorsqu'il n'est pas utilisé pendant une période prolongée.



REMARQUE:

Traitement des piles
Veuillez toujours
recycler les piles dans
un point de collecte
approprié.



Entretien et Maintenance



AVERTISSEMENT

Toujours couper l'alimentation électrique avant de nettoyer l'appareil de chauffage.
Coupez d'abord l'alimentation principale.
Puis retirez la fiche de la prise murale.



AVERTISSEMENT

Ne pas utiliser cet insert de cheminée si l'une de ses parties a été immergée dans l'eau. Appelez immédiatement un technicien qualifié pour qu'il inspecte le foyer et remplace toute partie du système électrique qui a été immergée.

Le moteur du ventilateur et le moteur de la flamme sont pré-lubrifiés pour une longue durée d'utilisation et ne nécessitent pas d'autre lubrification ou entretien. Pour éliminer toute accumulation de poussière ou de peluches, utilisez de temps en temps la brosse douce d'un aspirateur pour nettoyer la grille de sortie de l'appareil de chauffage.

- Pour dépeussier, utilisez un chiffon doux et propre qui ne rayera pas la surface.
- Utilisez un chiffon doux et propre imbibé d'eau chaude pour nettoyer la surface du foyer. **NE PAS** utiliser de nettoyants ménagers ou abrasifs, car ces produits risquent d'endommager la surface.
- Pour nettoyer l'écran de visualisation en verre, utilisez un chiffon humide non abrasif avec un nettoyant liquide ou du savon doux si nécessaire ; **N'UTILISEZ PAS** de poudres de nettoyage ou toute autre substance abrasive, car ces substances risquent de rayer le verre.
- Ce produit ne doit en aucun cas être utilisé avec une vitre cassée ou ébréchée.
- Ne pas frapper ou claquer la vitre.
- Si votre appareil est taché ou endommagé en cours d'utilisation, nous vous recommandons de faire appel à un professionnel pour réparer votre meuble.
- Lorsque vous n'utilisez pas l'appareil, veuillez débrancher le cordon de la prise de courant afin d'éviter tout dommage ou accident.

Dépannage

Problème	Solution
L'appareil ne s'allume pas	Assurez-vous que l'appareil est branché sur une source d'alimentation standard de 120 V avec mise à la terre. Appuyez sur le bouton d'alimentation du panneau de commande.
L'effet de flamme est activé, mais il n'y a pas d'effet de flamme.	Ouvrez le panneau supérieur et le panneau arrière pour vérifier si la broche de la flamme s'est détachée du moteur de la broche.
L'appareil de chauffage ne souffle pas d'air chaud	Assurez-vous que la température définie est supérieure à la température ambiante.
L'appareil de chauffage ne fonctionne pas	Mettez tous les interrupteurs sur OFF et débranchez l'appareil pour 5 minutes. Rebranchez l'appareil et faites-le fonctionner normalement.
Le code d'erreur E3 s'affiche sur l'indicateur	Réinitialisez l'appareil en le débranchant de la source d'alimentation pendant 5 minutes, puis en le rebranchant.
La télécommande ne fonctionne pas	Rapprochez-le de l'appareil / changez la batterie / retirez la feuille de plastique isolante.