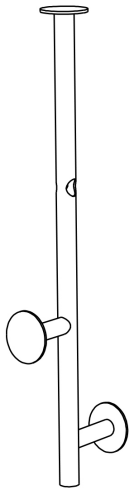


# COAT RACK 008

① x 1



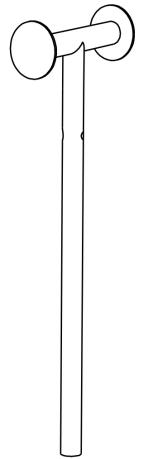
② x 1



③ x 1



④ x 1



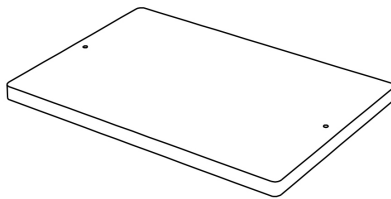
⑤ x 2



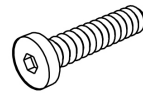
⑥ x 2



⑦ x 1



⑧ x 2



⑨ x 1

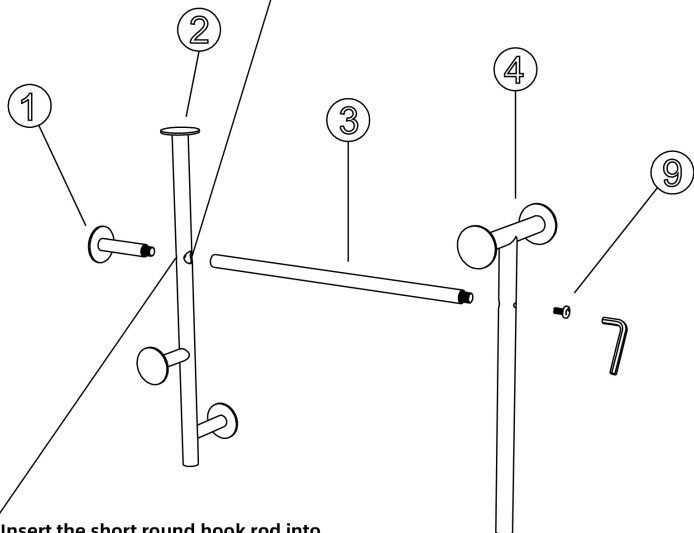


⑩ x 1

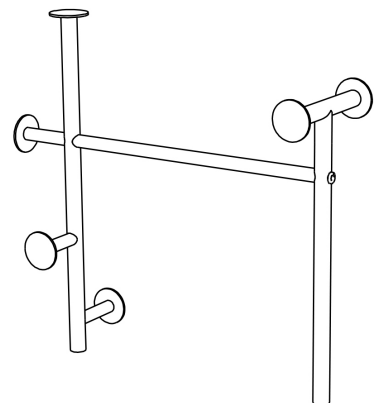
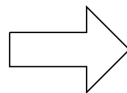


1

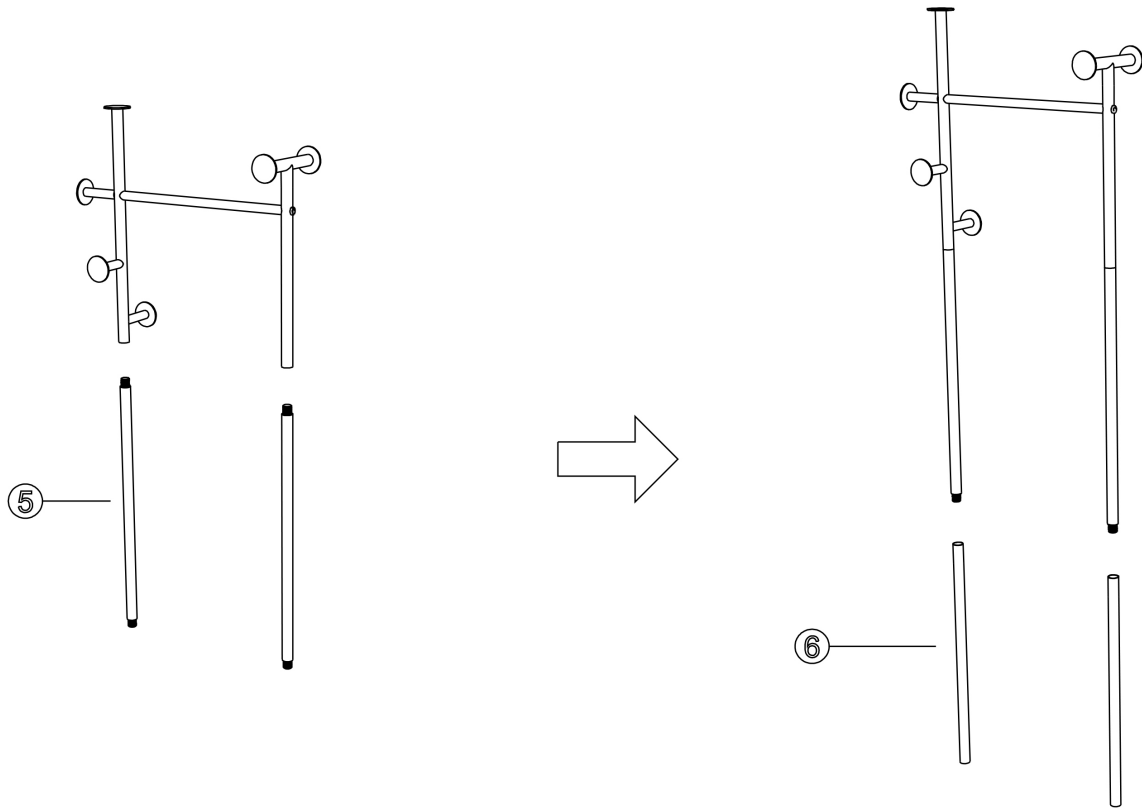
• Small hole faces to the long rod



• Insert the short round hook rod into the big hole and screw it well



2



3

