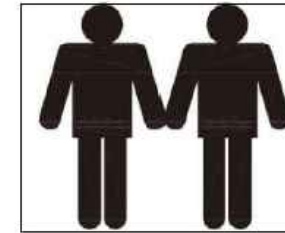


# Assembly Instruction

**Note:**

- 1. Should be assembled on flat ground to keep balance.**
- 2. Before completing the installation, do not tighten the screws.**

Full size

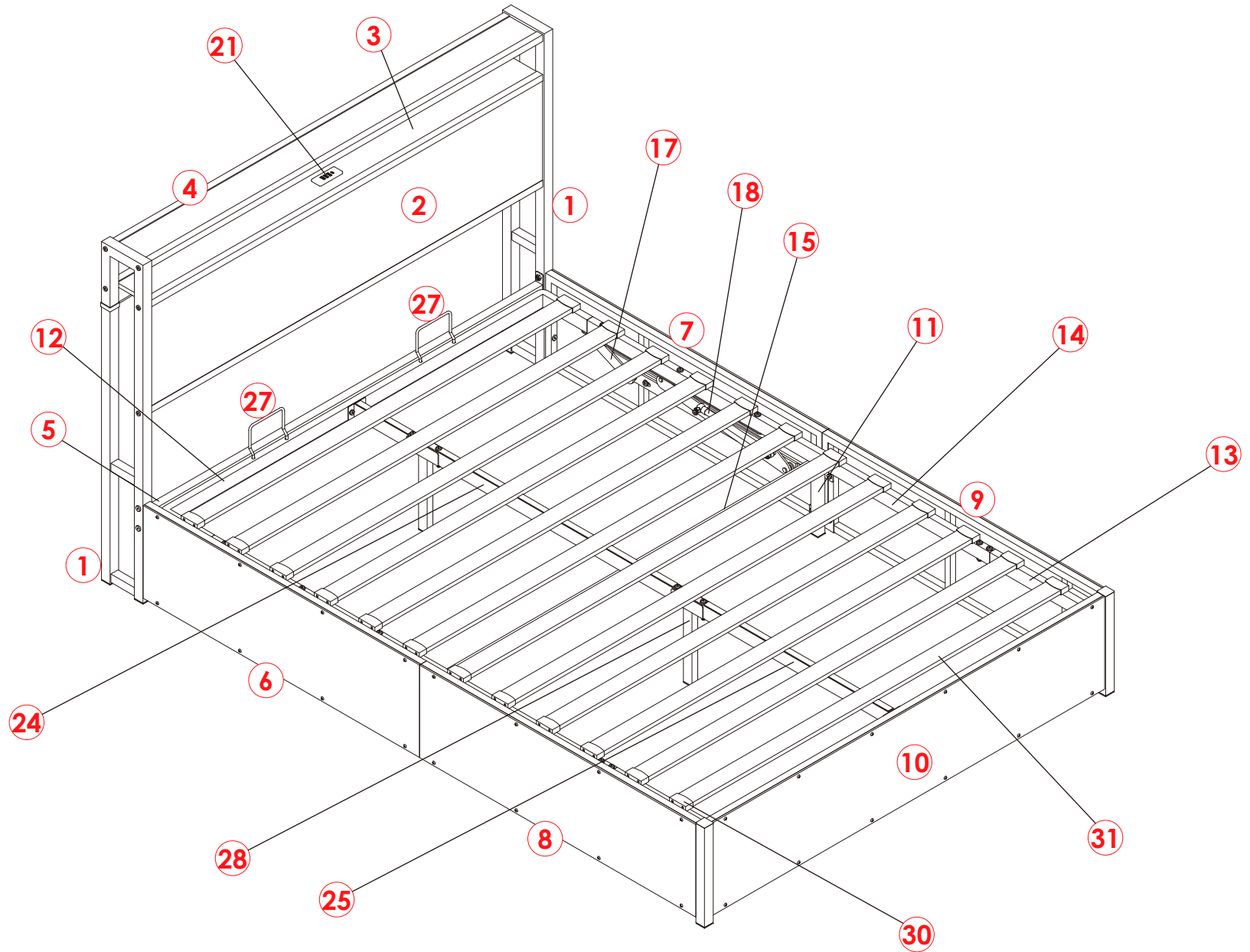


**It needs at least two people to install.**



**Before starting the assembly, you must read the whole manual and follow the instructions**

# Parts List



# Assembly Instruction of Bed

## Hardware parts

A 1/4x45



10 PCS

B 5/16x35



8 PCS

C 5/16x45



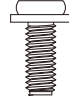
8 PCS

D 1/4x10



4 PCS

E 5/16x19



28 PCS

F 5/16x55



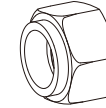
14 PCS

G M3x10



2 PCS

H 5/16



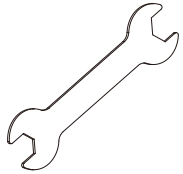
18 PCS

I M4



1 PC

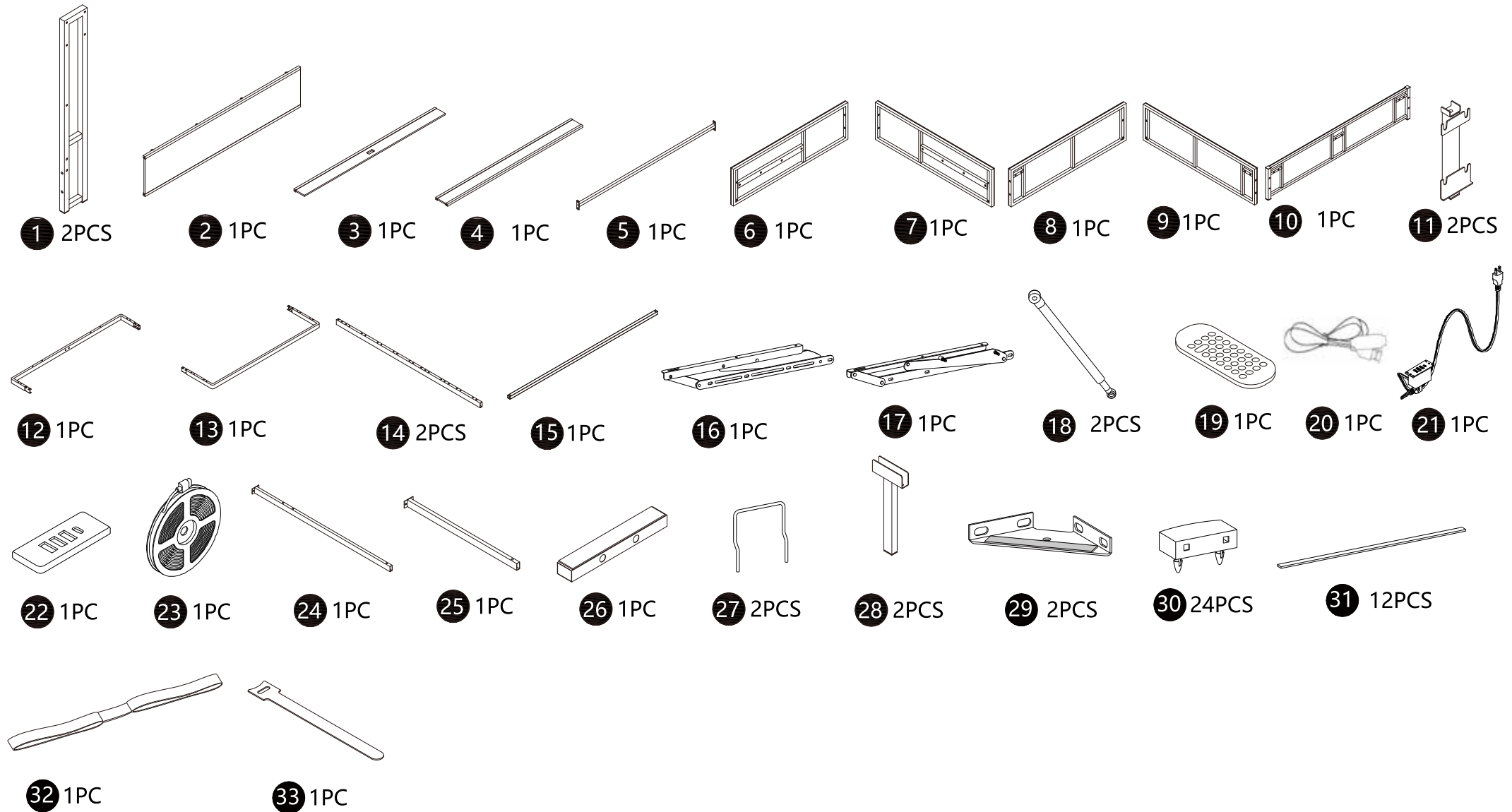
J



1 PC

# Assembly Instruction of Bed

## Part list



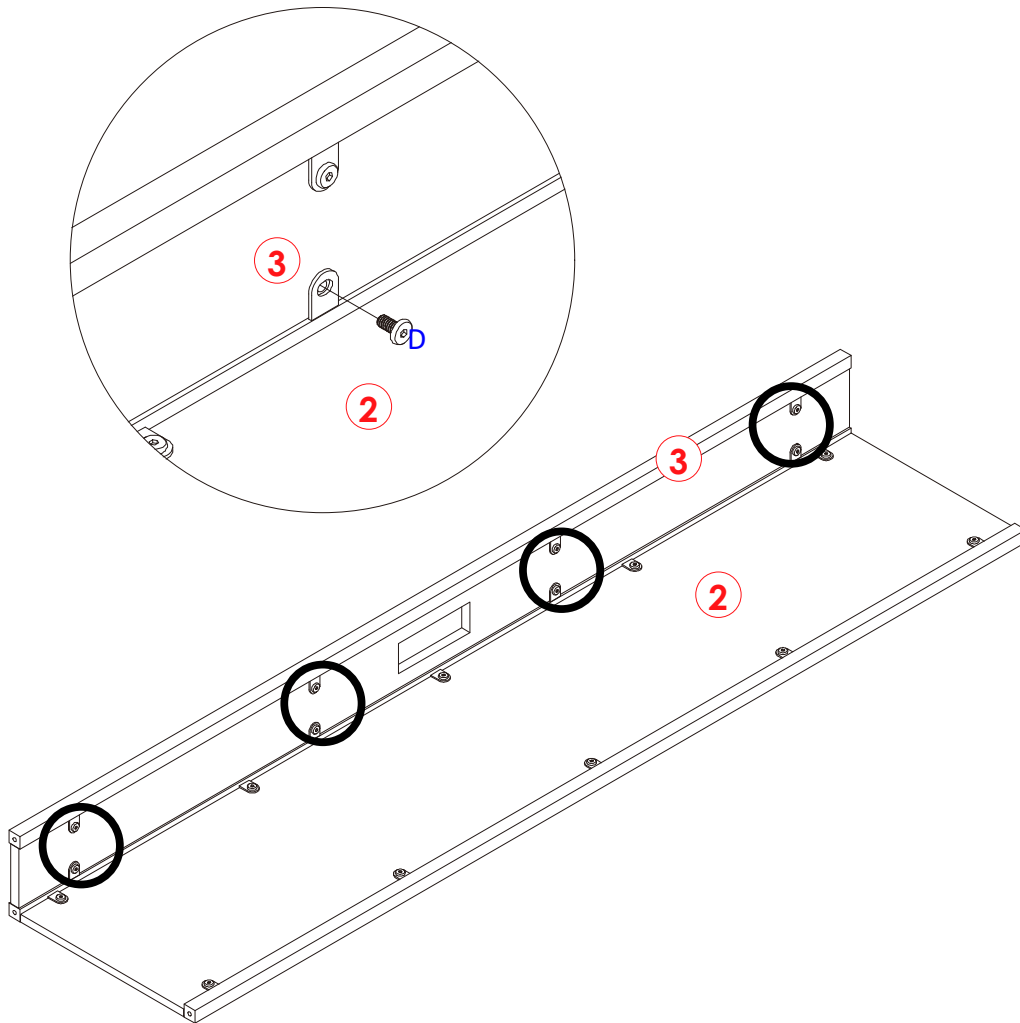
# Assembly Instruction of Bed

Step:1

D 1/4X10



4 PCS

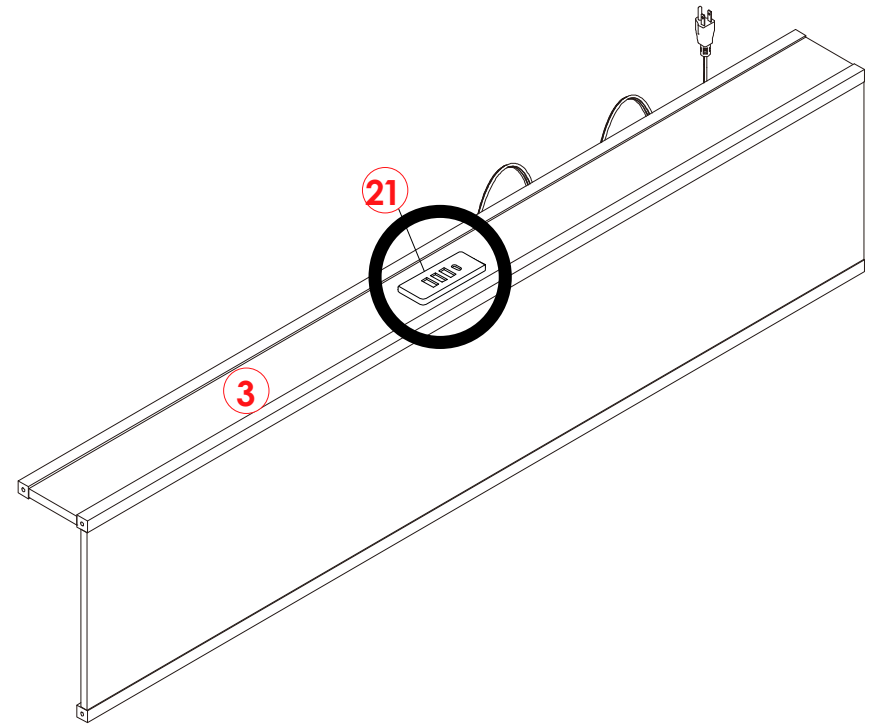
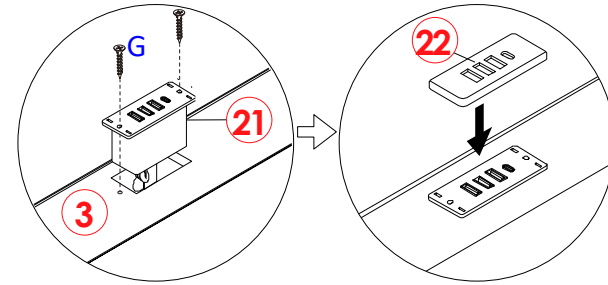


Step:2

G M3X10



2 PCS



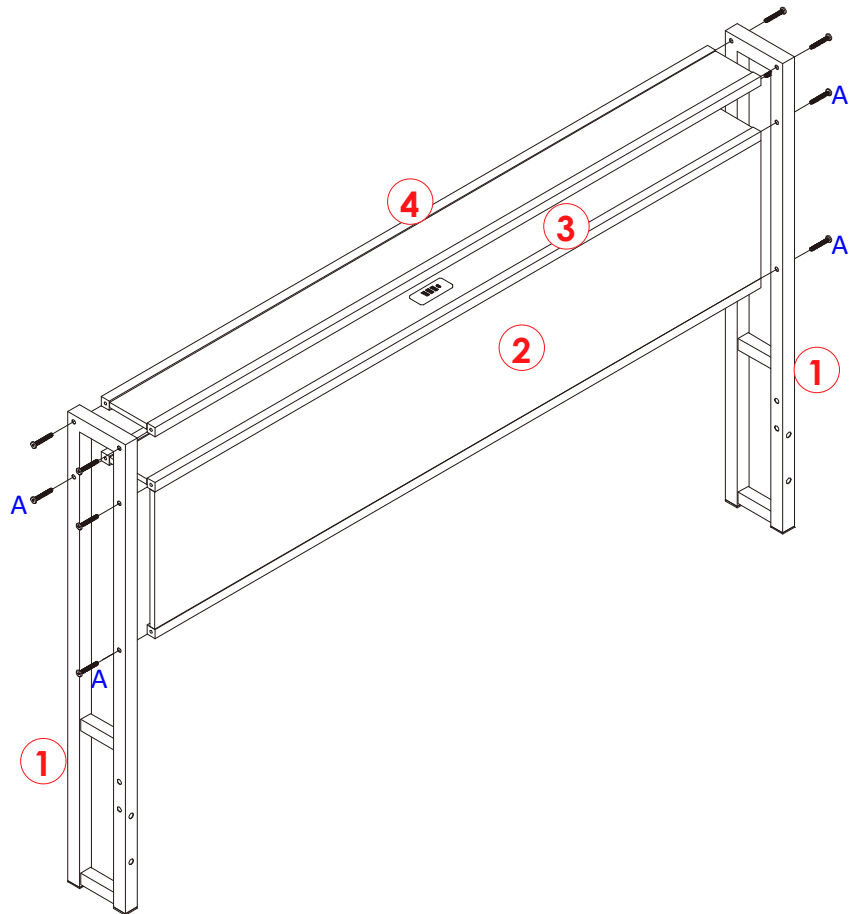
# Assembly Instruction of Bed

Step:3

A 1/4x45



10 PCS



Step:4

H 5/16

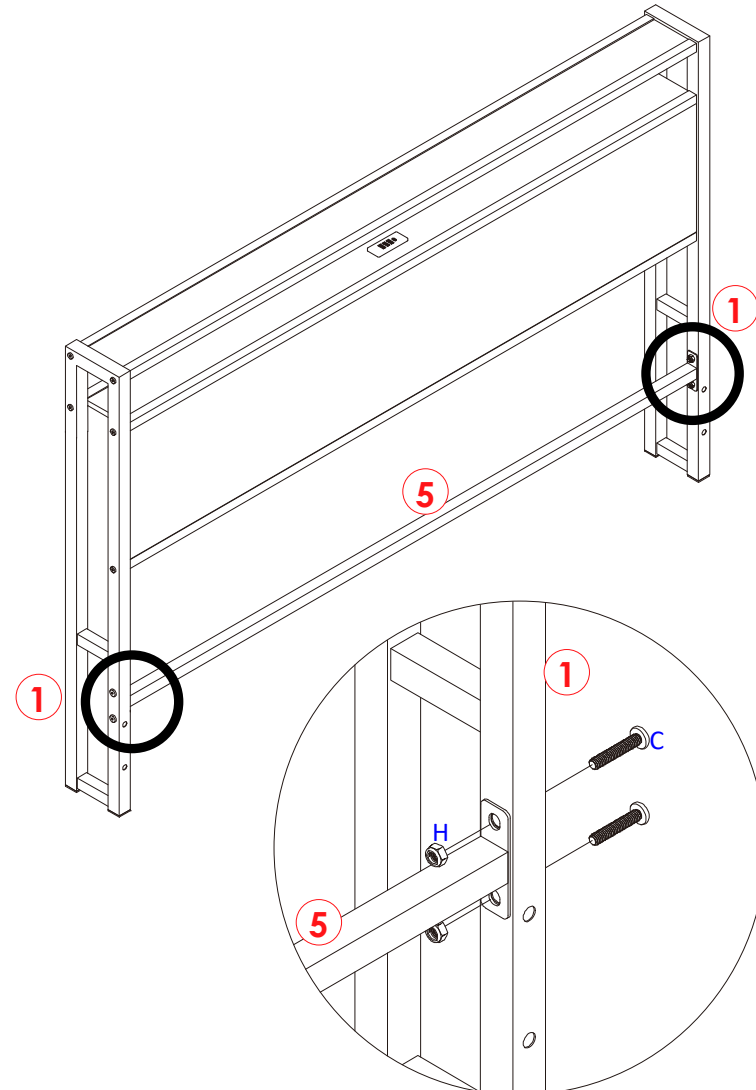


4 PCS

C 5/16X45



4 PCS



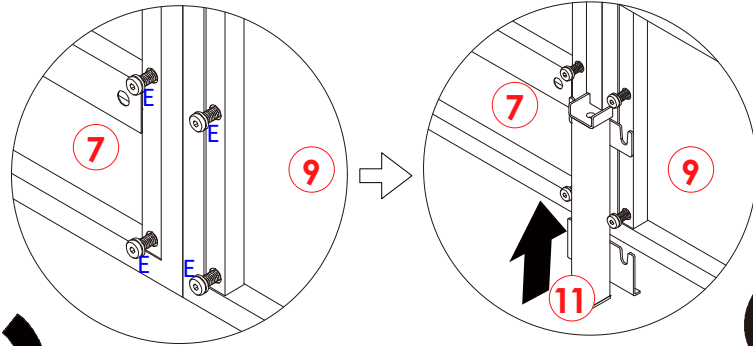
# Assembly Instruction of Bed

Step:5

E 5/16X19



8 PCS

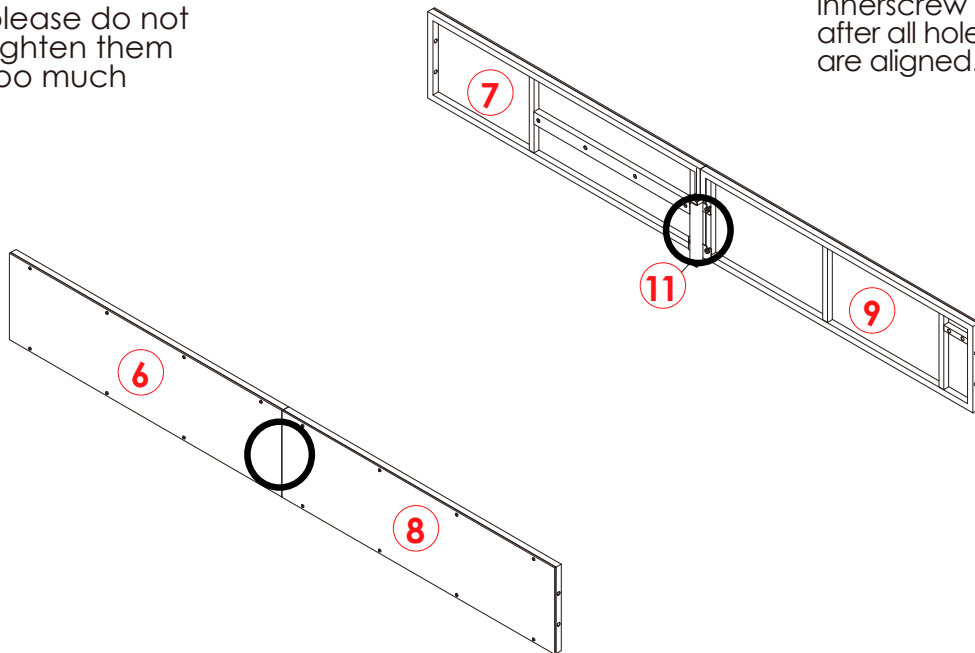


75%

please do not  
tighten them  
too much

100%

Tight all the  
innerscrew  
after all holes  
are aligned.

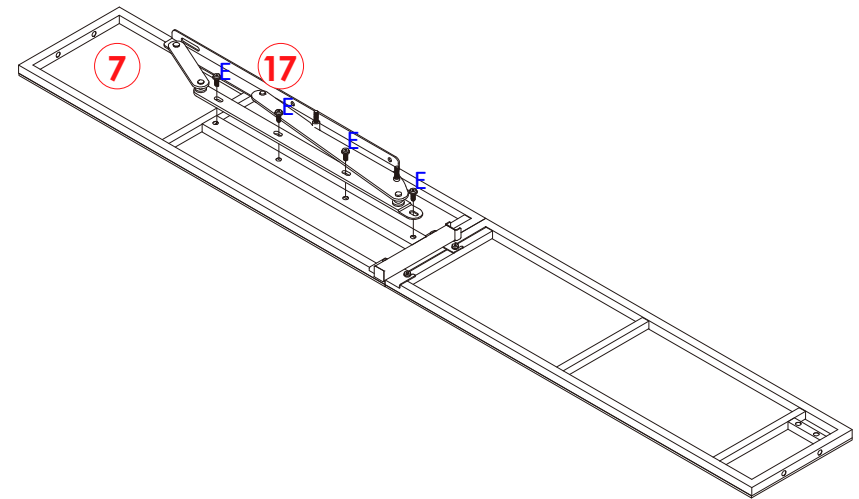
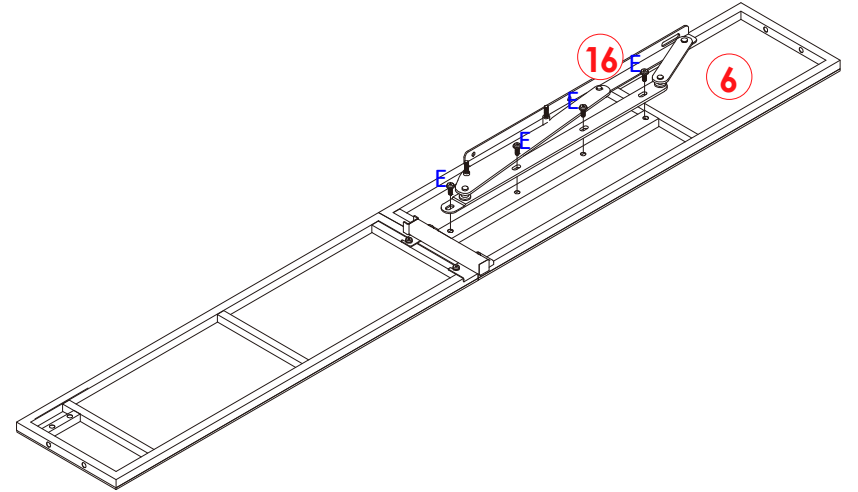


Step:6

E 5/16X19



8 PCS



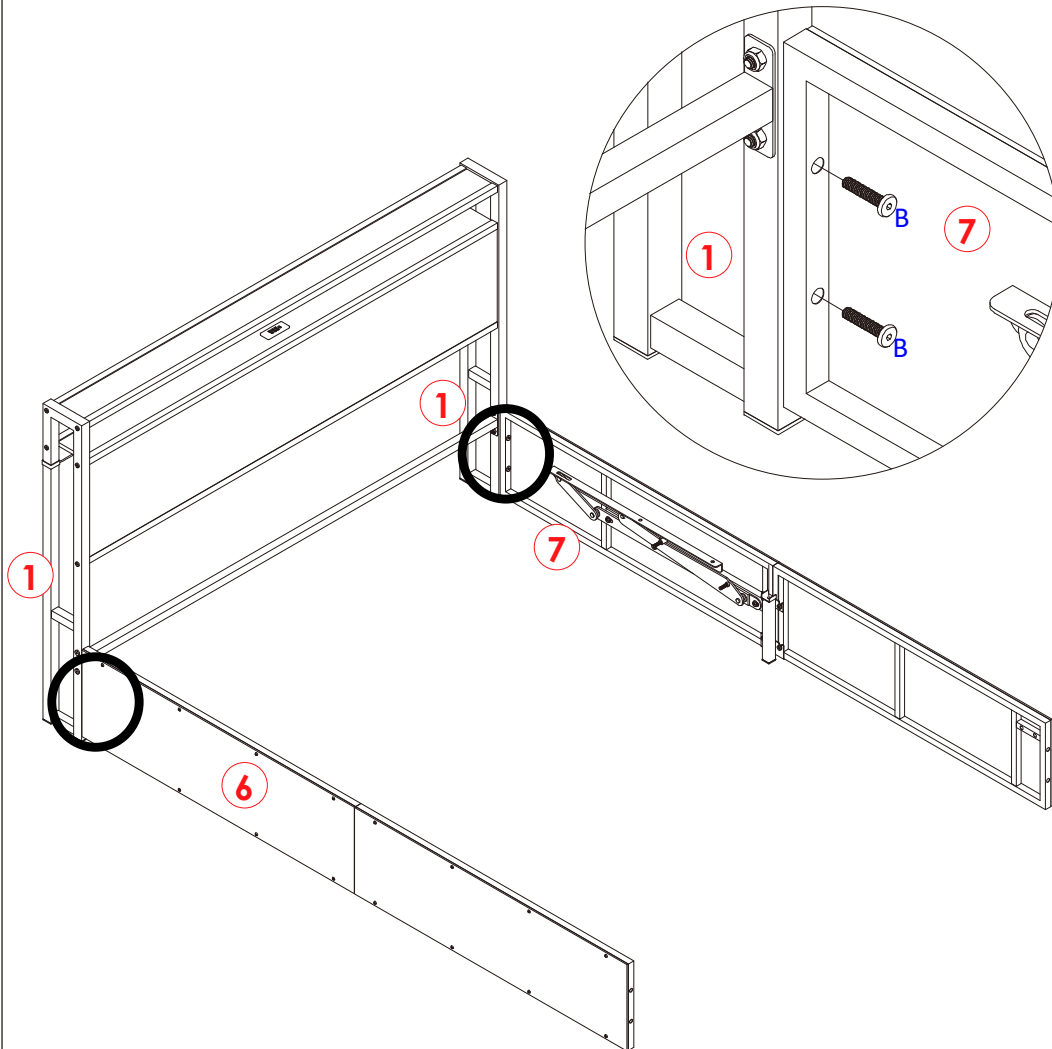
# Assembly Instruction of Bed

Step:7

B 5/16x35



4 PCS

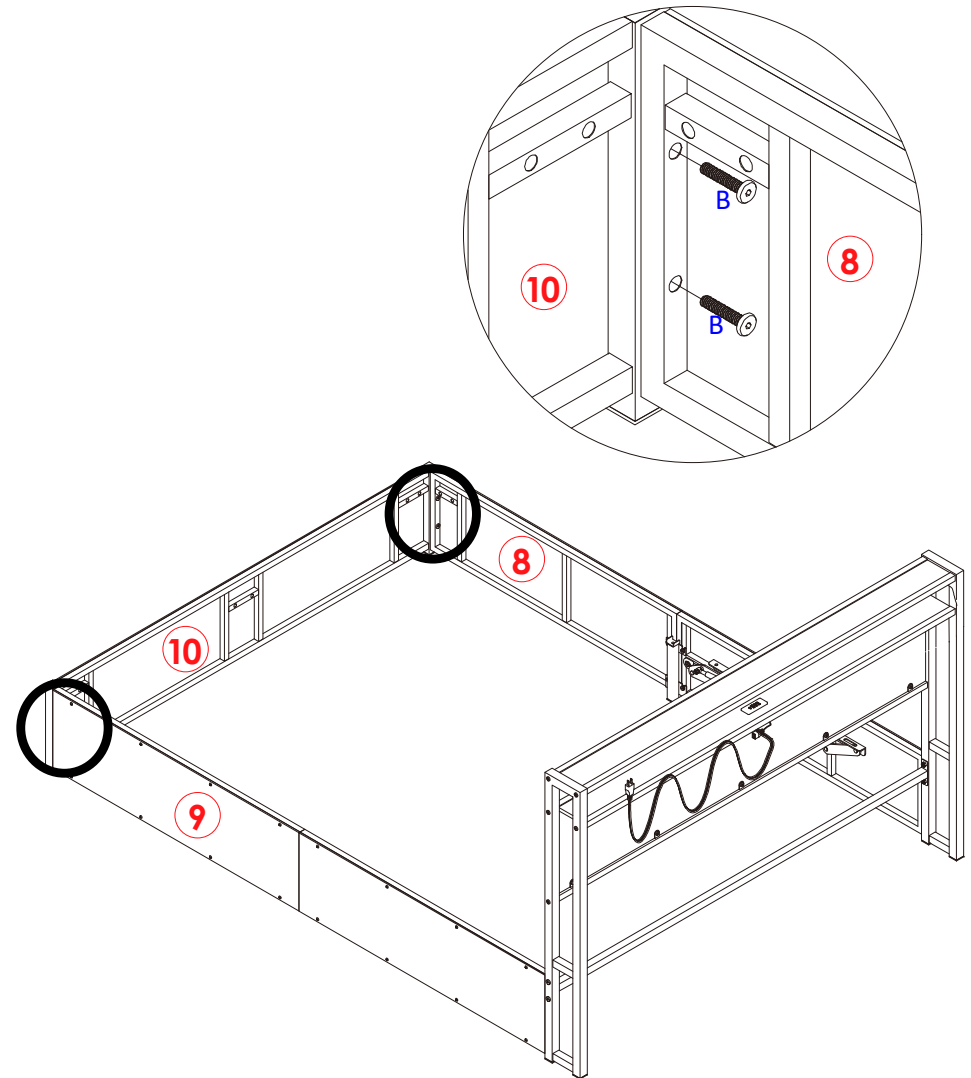


Step:8

B 5/16x35



4 PCS



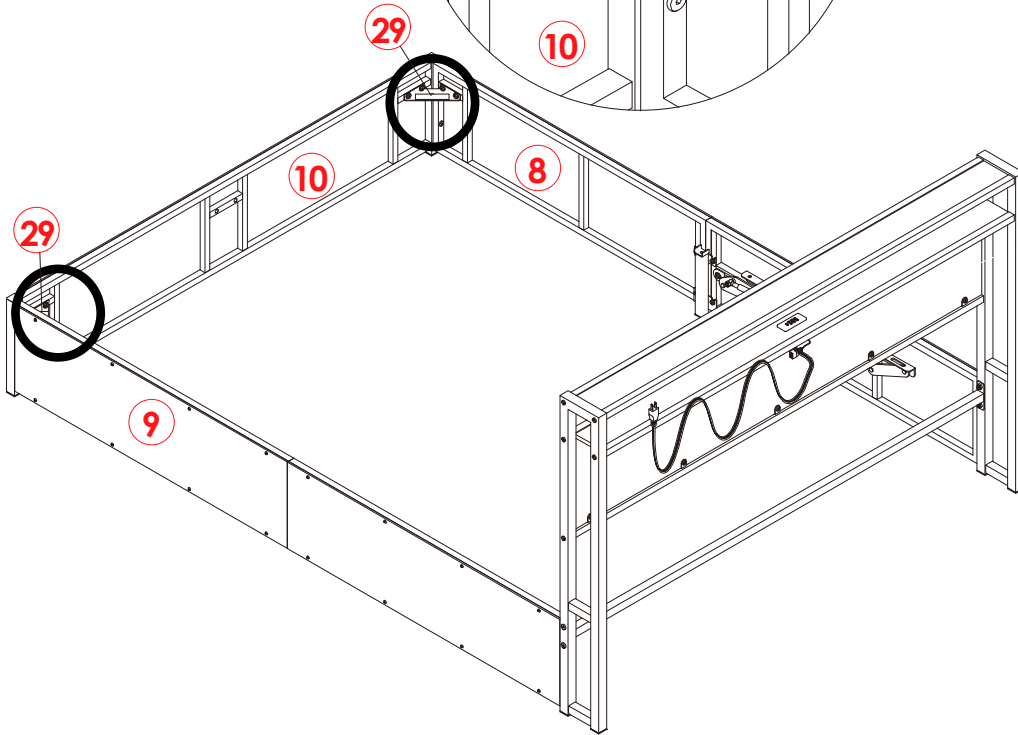
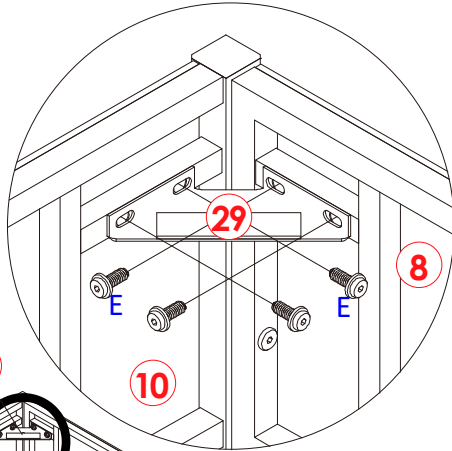
# Assembly Instruction of Bed

Step:9

E 5/16X19



8 PCS

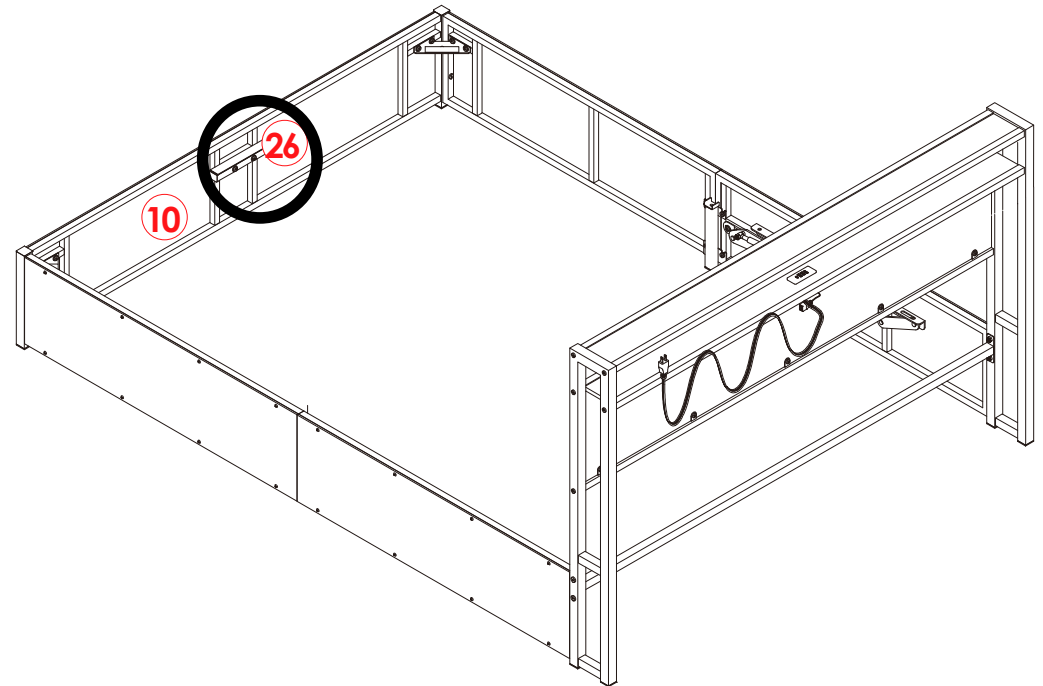
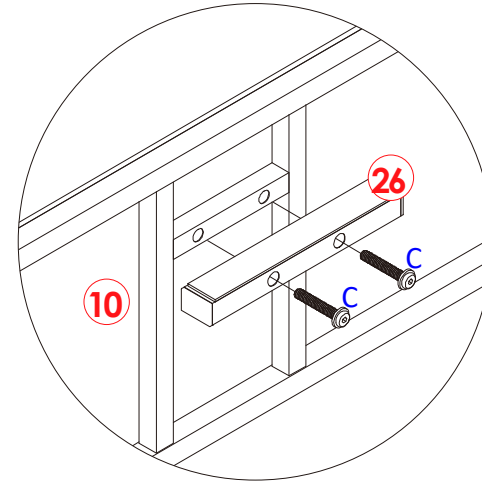


Step:10

C 5/16X45



2 PCS



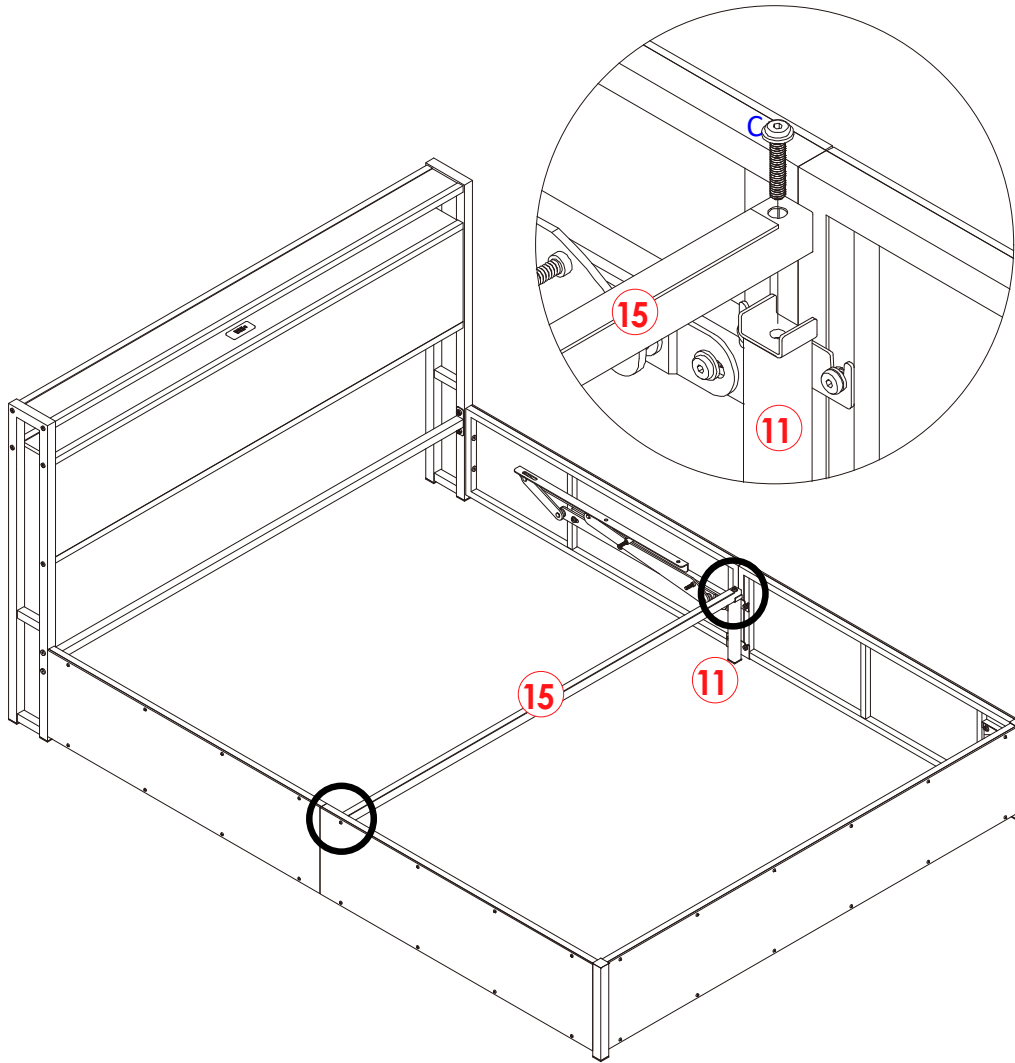
# Assembly Instruction of Bed

Step:11

C 5/16X45



2 PCS



Step:12

H 5/16

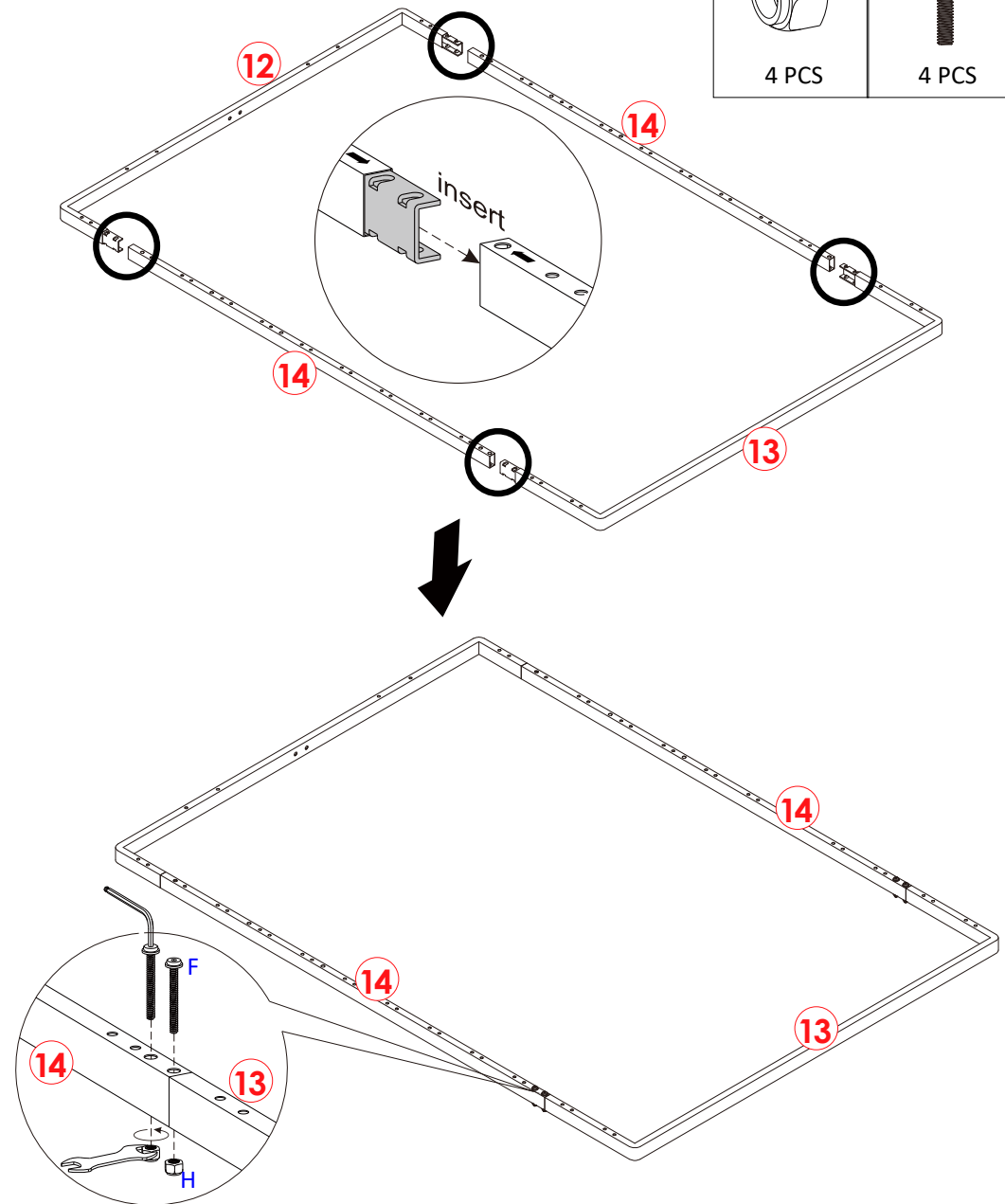


4 PCS

F 5/16X55



4 PCS



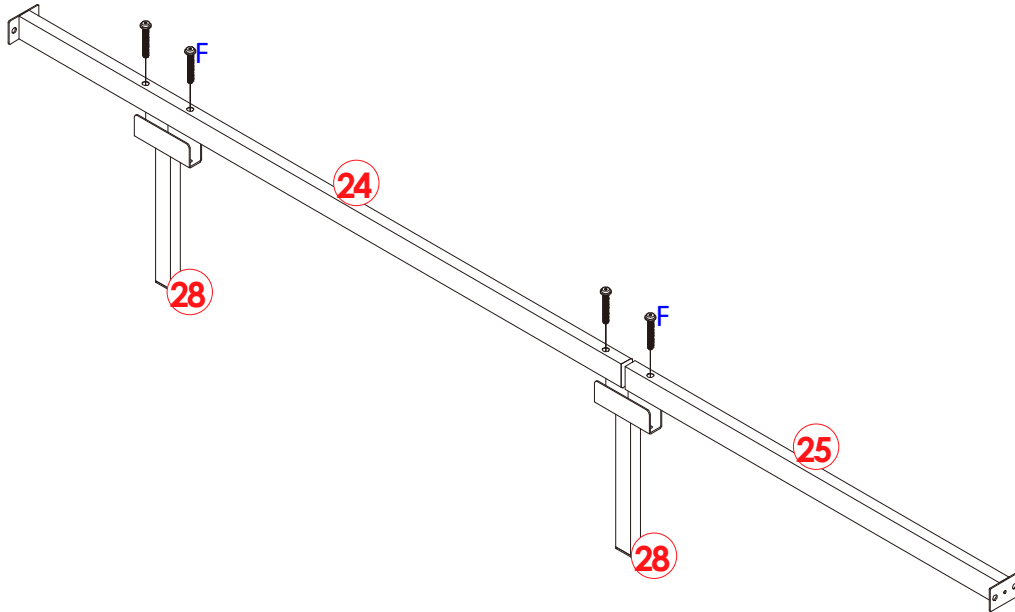
# Assembly Instruction of Bed

Step:13

F 5/16X55



4 PCS

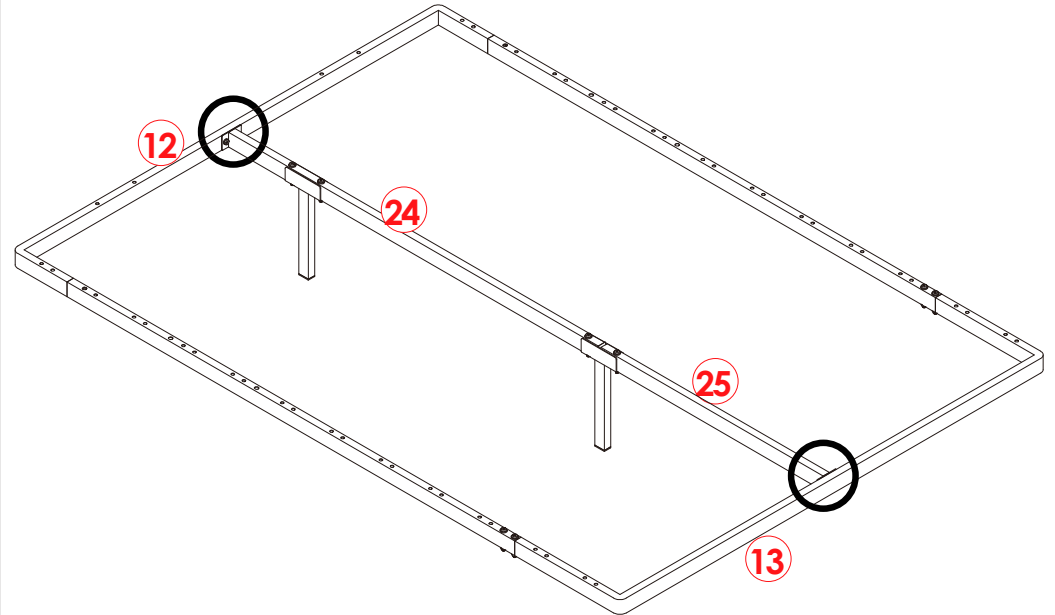
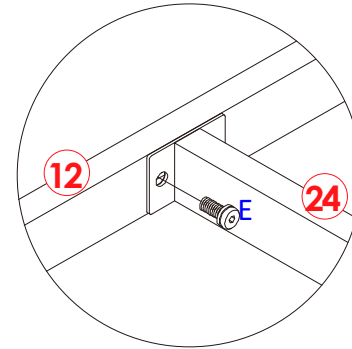


Step:14

E 5/16X19



4 PCS



# Assembly Instruction of Bed

Step:15

H 5/16



6 PCS

F 5/16X55




6 PCS

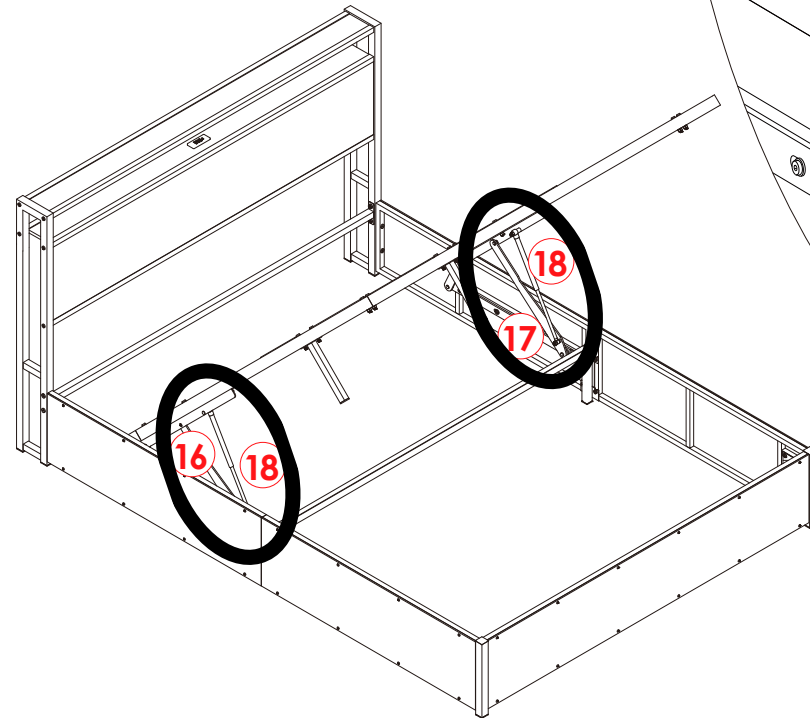
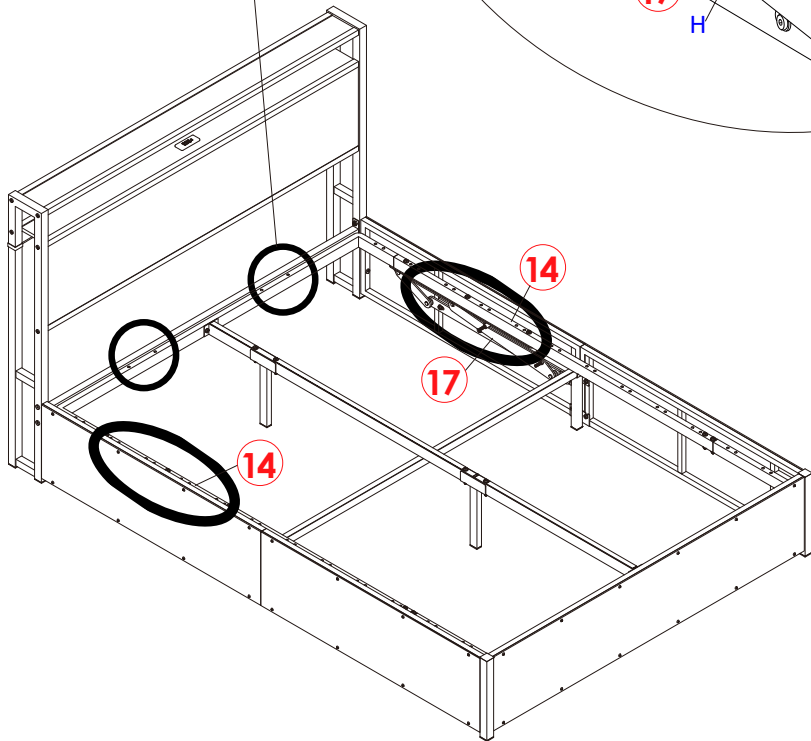
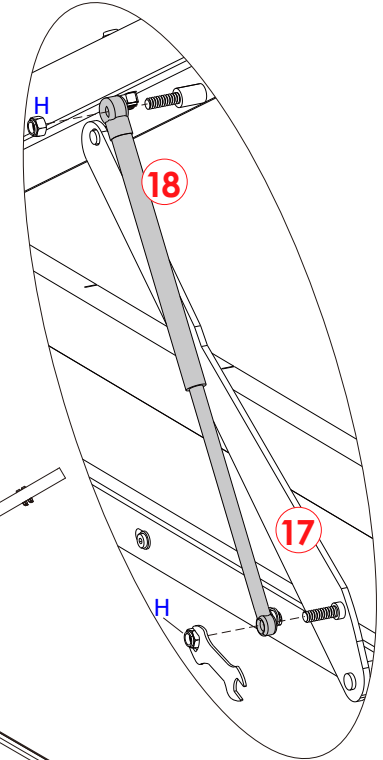
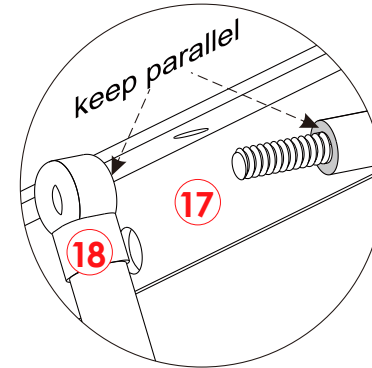
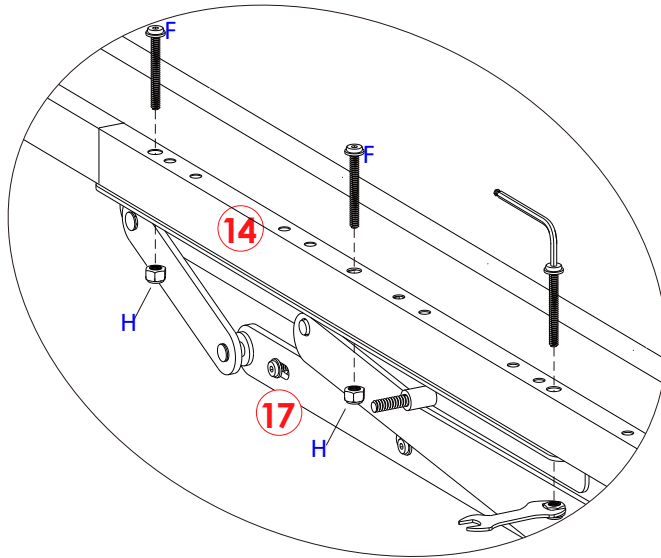
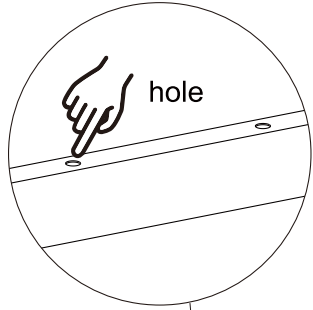
Step:16

H 5/16



4 PCS

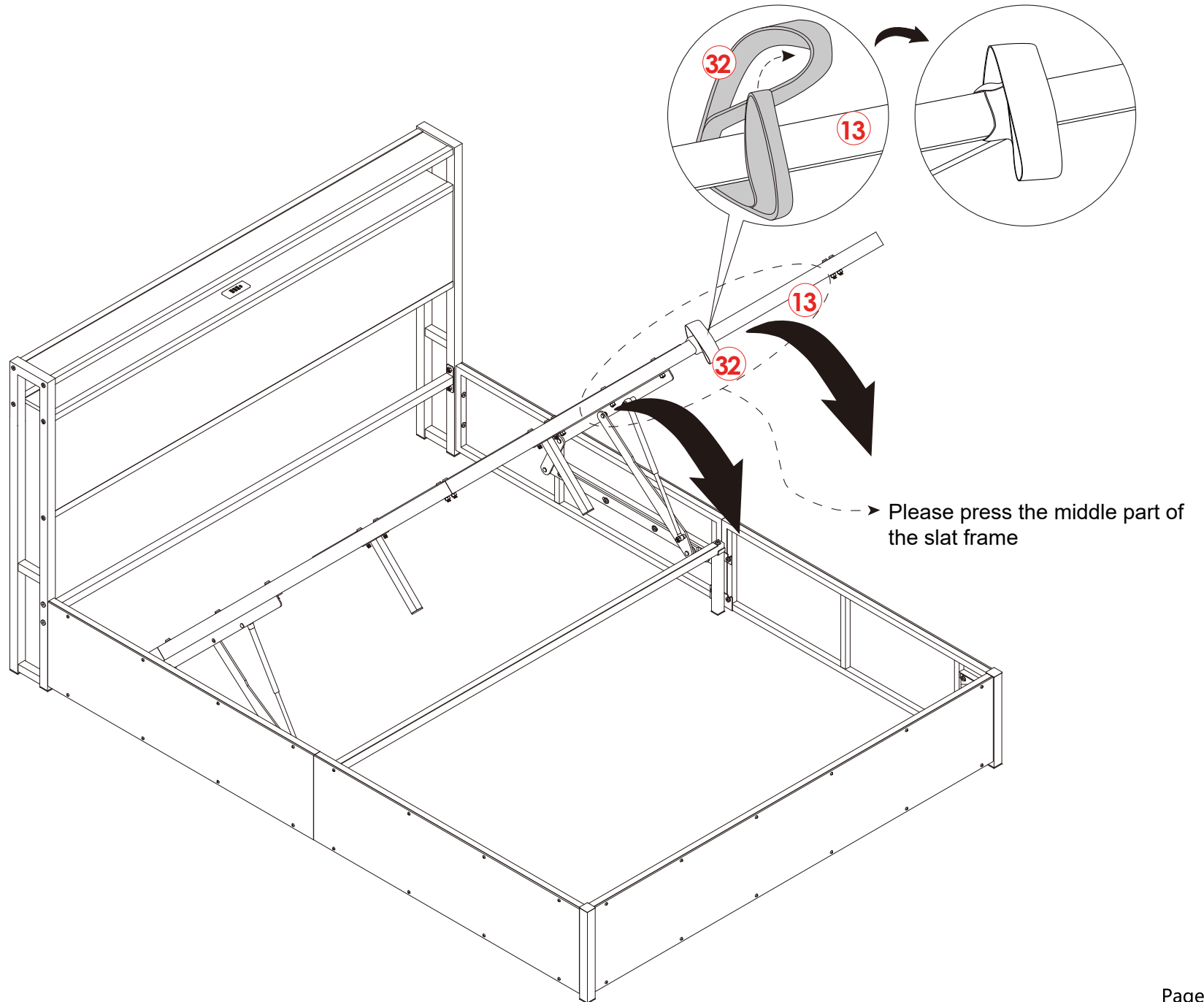
 Please lift the slat frame with your hands while assembling part **18**.



# Assembly Instruction of Bed

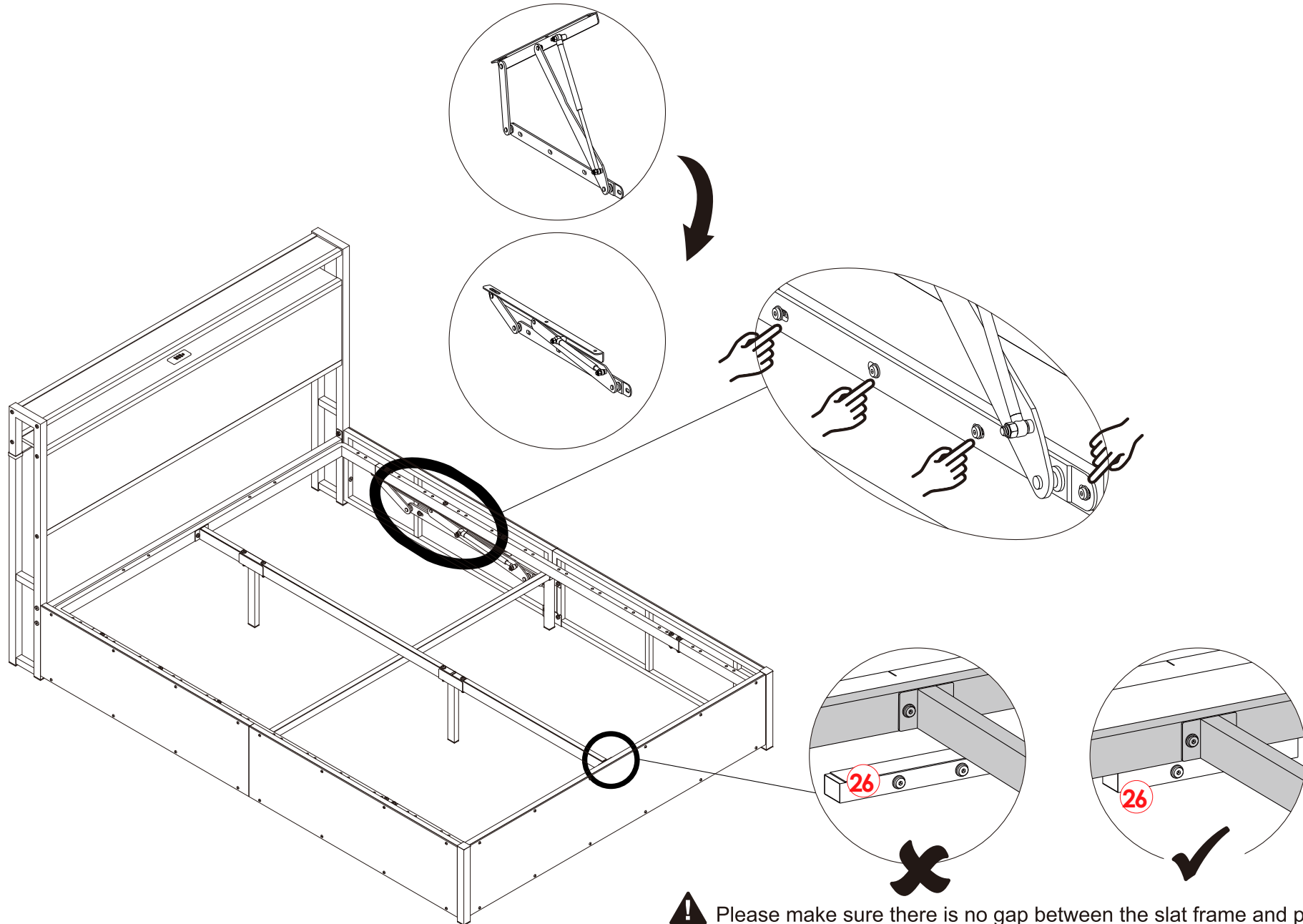
Step:17

Pass one end through the hole



# Assembly Instruction of Bed

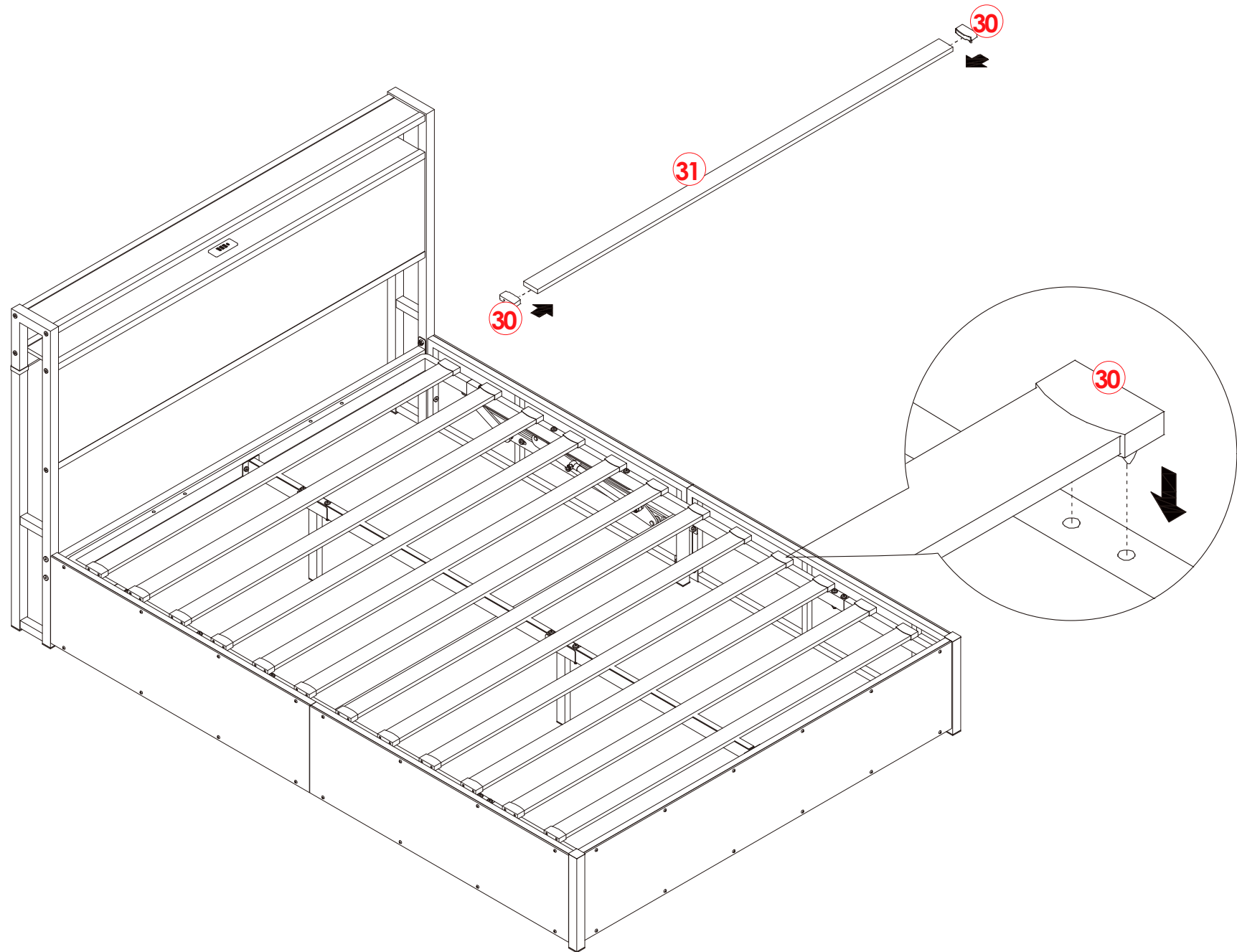
Step:18



**!** Please make sure there is no gap between the slat frame and part **26**, if there is a gap, please loosen the screws in the picture below and adjust their position.

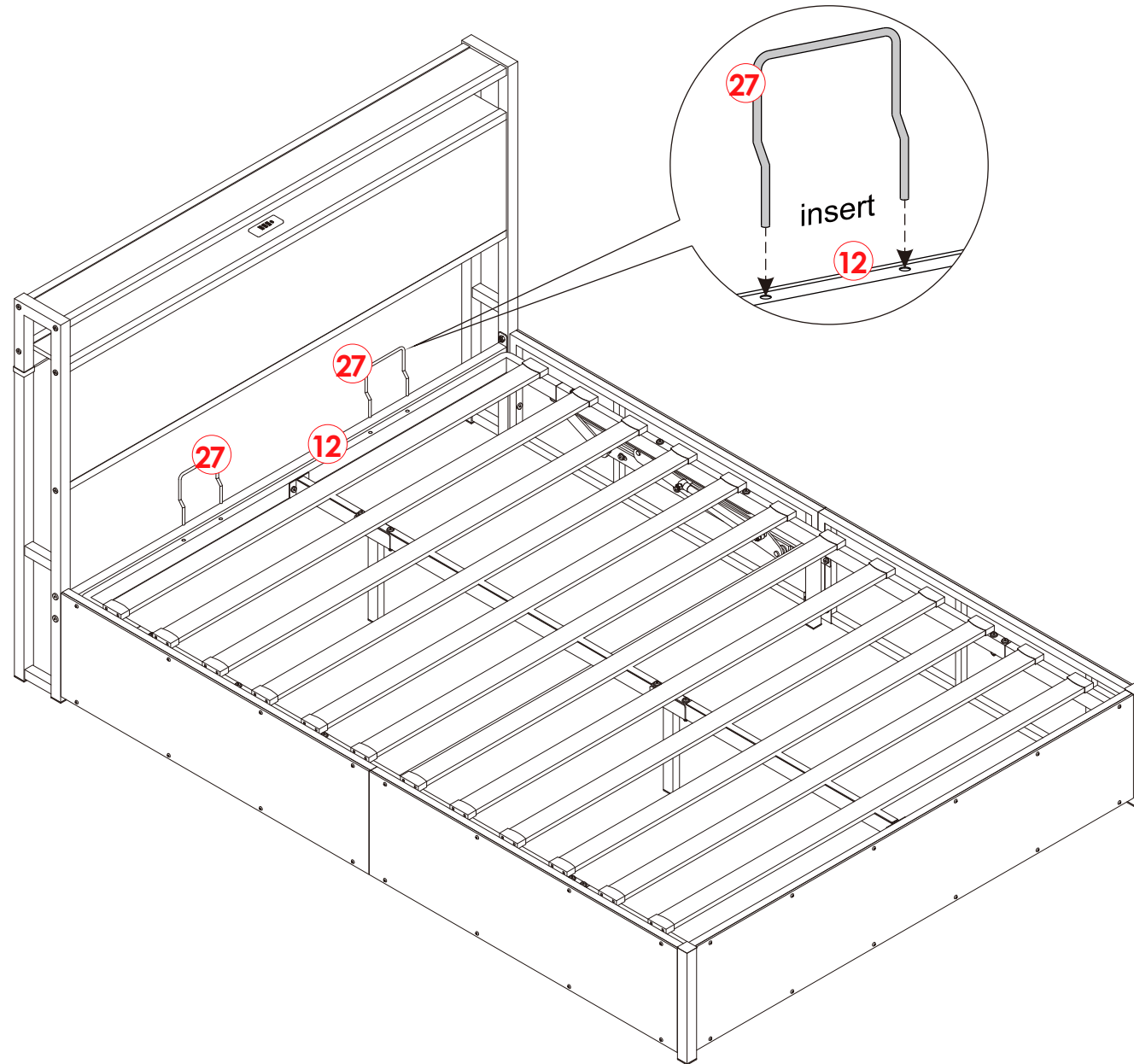
# Assembly Instruction of Bed

Step:19



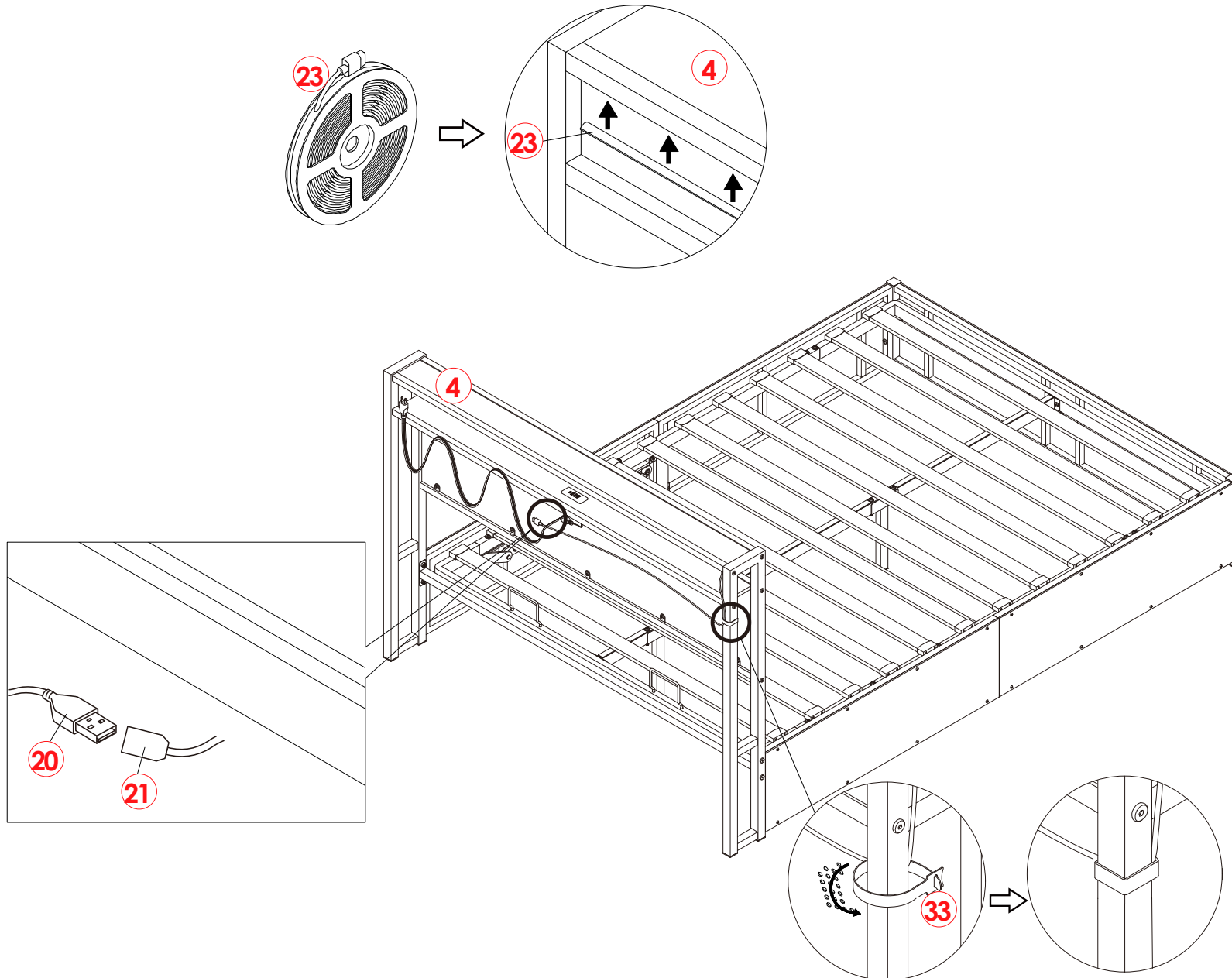
# Assembly Instruction of Bed

Step:20



# LED lamp assembly details

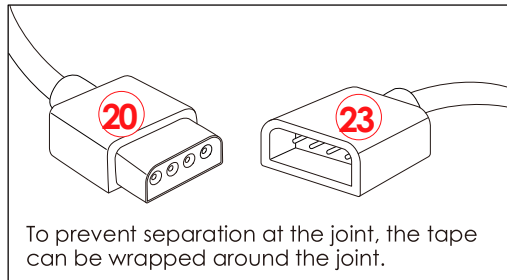
Step:21



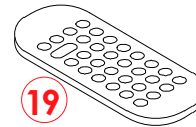
Secure the Led light strip with straps.

# LED lamp assembly details

Step:22

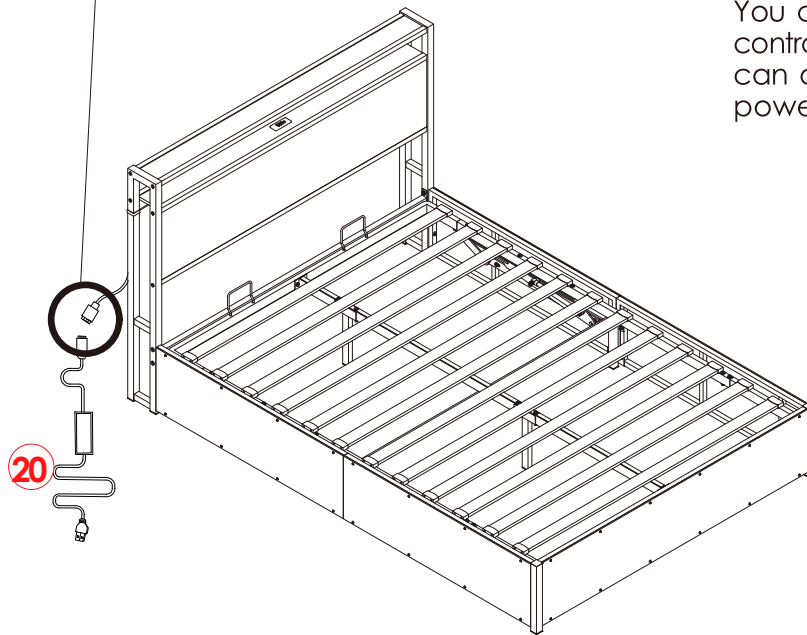


**NOTE:** The black part of the receiver ⑳ needs to be exposed to air in order to better control the LED light.



## Remote control

You can use the remote to control the light. The LED lamp can only be used after the power supply is connected.



Please install the application.

Step1: Please make sure your phone has Bluetooth enabled.

Step2: The LED light will automatically connect to the APP.

