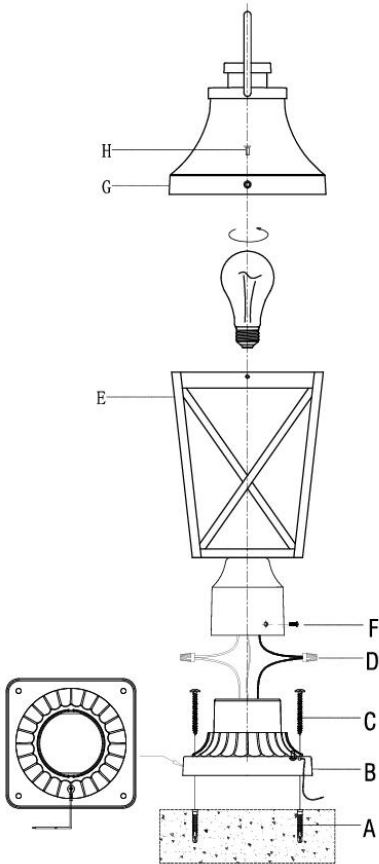


INSTALLATION INSTRUCTIONS

WARNING! SHUT POWER OFF AT FUSE OR CIRCUIT BREAKER.

Fig. 1



HANGING THE FIXTURE (Fig. 1)

1. Shut off the power at the circuit breaker and remove the old fixture including the mounting hardware.
2. Carefully unpack your new fixture and lay out all the parts on a clear area. Take care not to lose any small parts necessary for installation.

CONNECTING THE WIRES (Fig.2)

3. While supporting the fixture, connect the electrical wires as shown in figure 2. If your post has a ground wire (green or bare copper), connect the fixture ground wire to it. If not, consult your electrician for proper grounding. After the wires are connected, tuck them carefully inside the pier mount base (B).

COMPLETING THE INSTALLATION (Fig. 1)

4. Install the bulb (E26 Medium base, not supplied) in accordance with the fixture's specification. Attach the roof (G) back to the fixture (E) by set screws (H)
- DO NOT EXCEED THE MAXIMUM WATTAGE RATING! (NE PAS DEPASSER LA PUISSANCE NOMINALE MAXIMALE!)**
5. Place the fixture onto pier mount base (B), and secure with the 3 mounting screws (F)

Your installation is now completed. Return power to the junction box and test the fixture

Fig. 2

