

NOTICE

*Please make sure that you have all parts indicated and they are in good condition before you begin assembly of this item. Refer to part list and hardware list below for guidance.

*This item should be assembled on a soft surface to prevent scratching the finish during assembly.

*This item may require periodic tightening.

*If you are having difficulty, our friendly Customer Care team is always here to help. Please email customersupport@safavieh.com.

PREPARATION

* Before beginning assembly of product, make sure all parts are present. Compare parts with part contents list and hardware contents list.


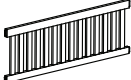


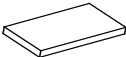



* If any part is missing or damaged, do not attempt to assemble the product.

* Estimated Assembly Time: 10 minutes.

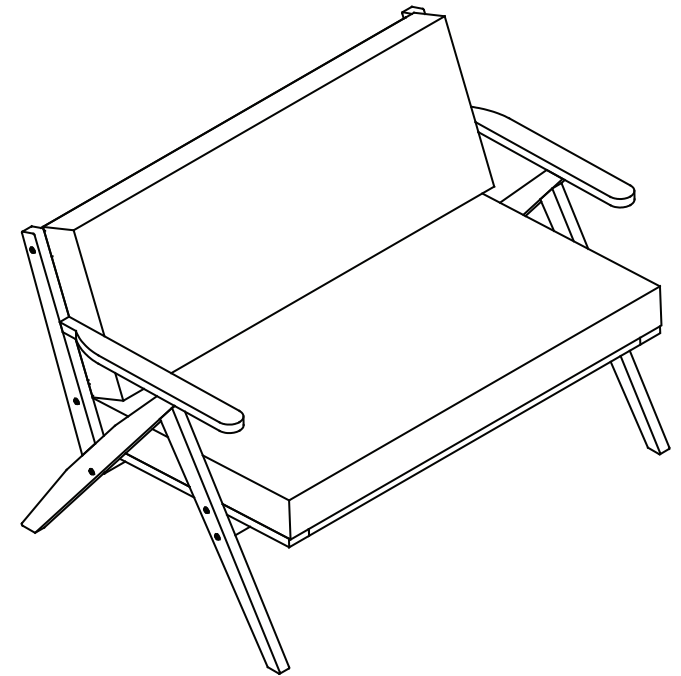
CARE AND MAINTENANCE

Insert Care and Maintenance here

Part List and Hardware List

PIECE	DESCRIPTION	PICTURE	QUANTITY
A	Leg Frame		2X
B	Back frame		1X
C	Seat Frame		1X
D	Cross Bar		1X
CSH1	Cushion Seat		1X
CSH2	Cushion Back		1X
HW1	Screw: M6 x0.5 x55 mm		10X
HW2	Allen key 4		1X

Product Dimensions:48.9" W x 30.9" D x 30.8" H



Weight Capacity :400 Ibs

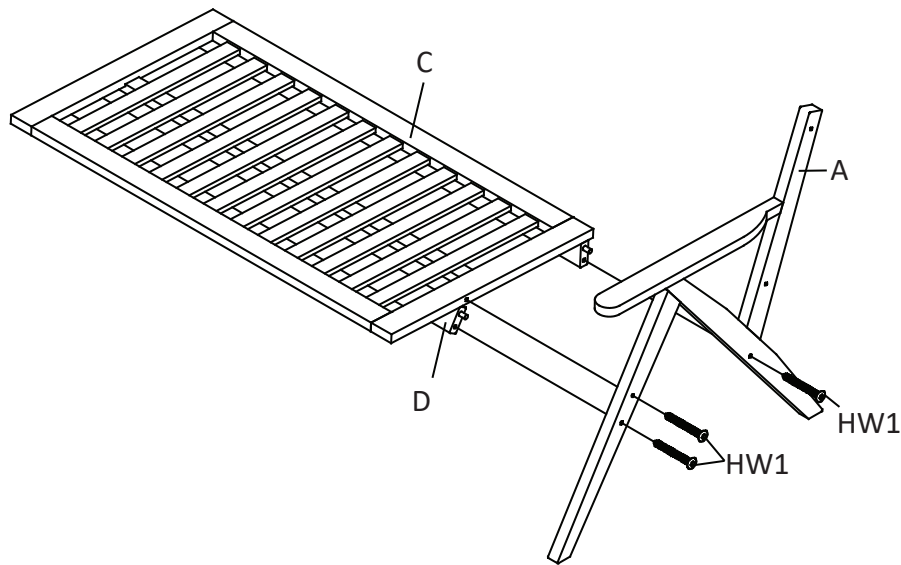
Warning : Do not stand on bench

Warning : Do not over torque bolts / screws

PREPARATION

- *Before beginning assembly of product, make sure all parts are present. Compare parts with package contents list and hardware contents list.
- *If any part is missing or damaged, do not attempt to assemble the product.
- * Estimated Assembly Time : 10 minutes.

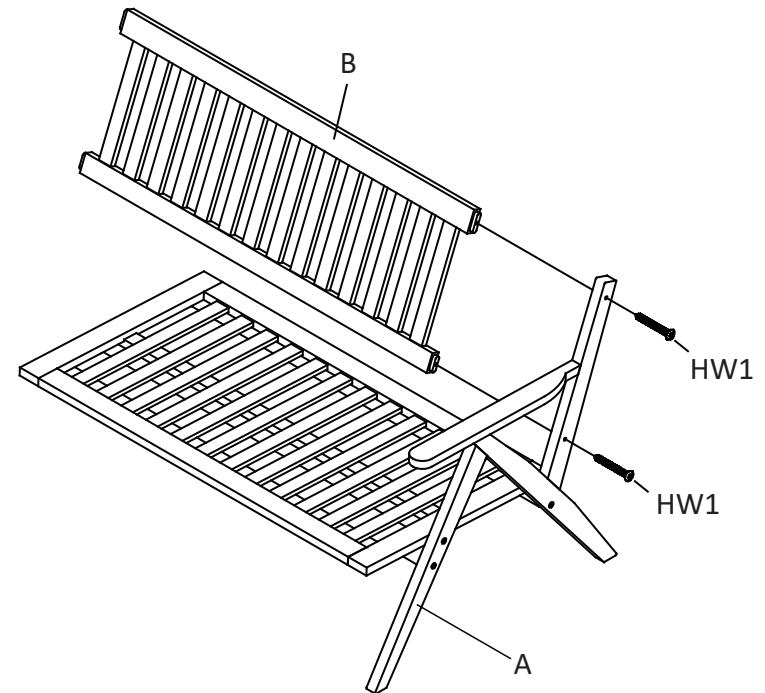
1



Step 1

Attach leg frame (A) to cross bar (D), use screws (HW1), tighten with allen key (HW2).
Attach leg frame (A) to Seat Frame (C), use screws (HW1), tighten with allen key (HW2).

2



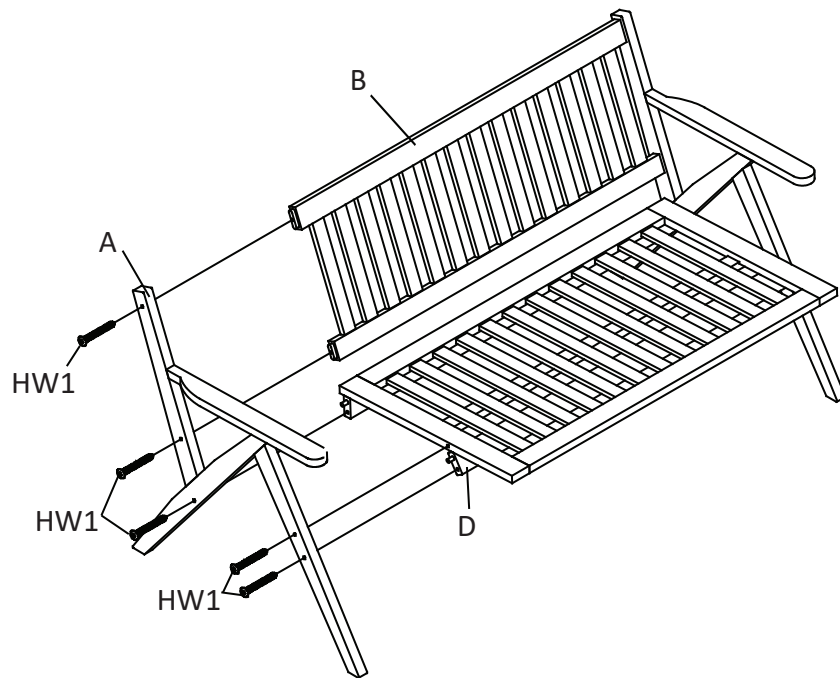
Step 2

Tighten screws (HW1) with allen key (HW2) to attach leg frame (A) and back frame (B)

PREPARATION

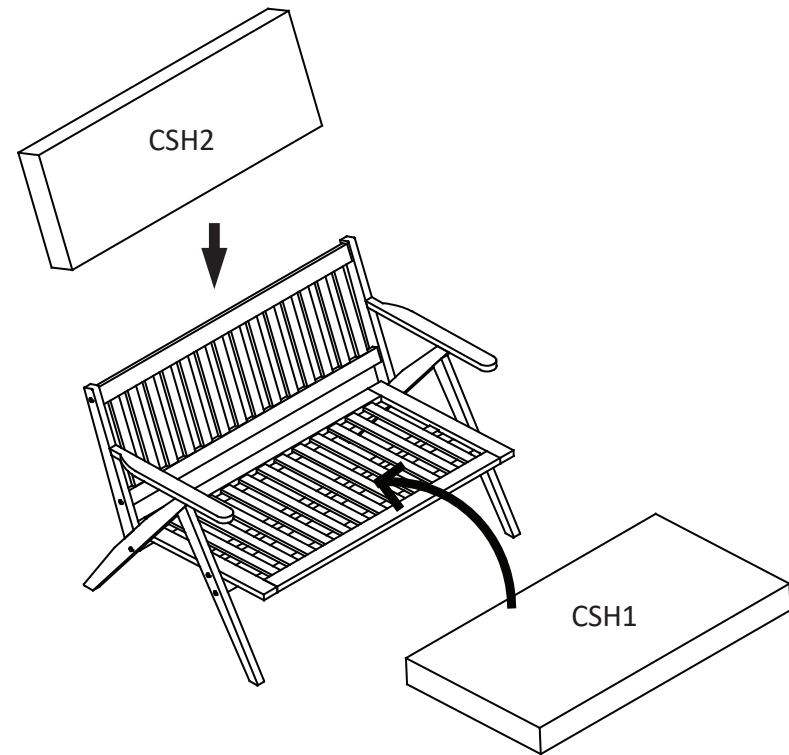
- *Before beginning assembly of product, make sure all parts are present. Compare parts with package contents list and hardware contents list.
- *If any part is missing or damaged, do not attempt to assemble the product.
- * Estimated Assembly Time : 10 minutes.
- * Tools Required for Assembly (included): Allen Key
- * If you are having difficulty, our friendly Customer care team is always here to help. Please email customersupport@safavieh.com

3



Step 3
Attach leg frame (A) to back frame (B), seat frame (C) and cross bar (D), use screws (HW1), tighten with allen key (HW2).

4

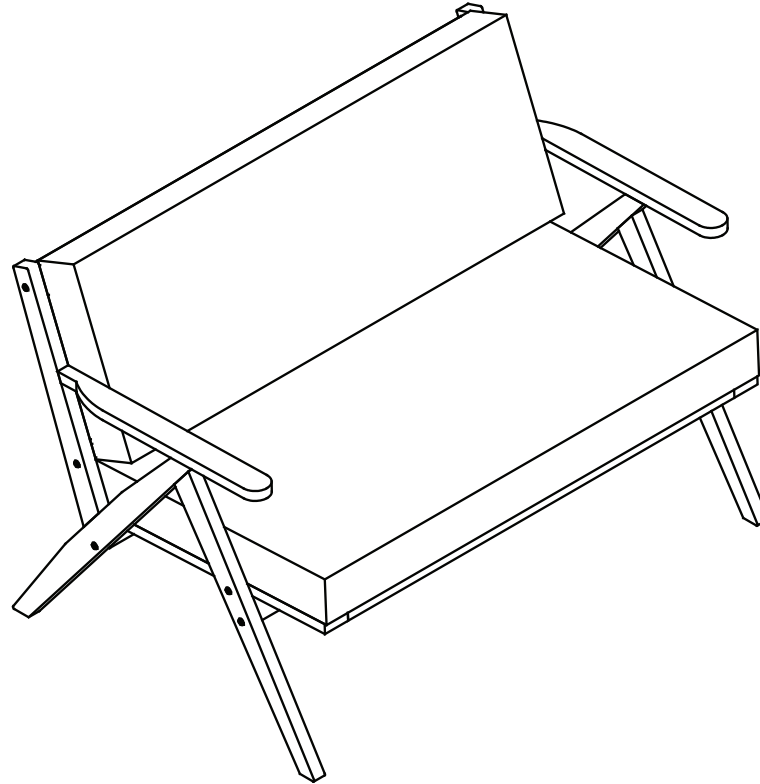


Step 4
Attach Ensure all screws are fully locked into position.
Place Seat Cushion (CSH1), Back Cushion (CSH2) into the Chair.
The Chair is ready to be used.

PREPARATION

- *Before beginning assembly of product, make sure all parts are present. Compare parts with package contents list and hardware contents list.
- *If any part is missing or damaged, do not attempt to assemble the product.
- * Estimated Assembly Time : 10 minutes.

5



Step 5

Caution: This Chair can only be used on a flat, level surface