

PRODUCT DESCRIPTION

Finished Wood Mirror

- Solid Wood Frame Mirror
- Shelf Provides Storage or Display Space



PRODUCT MEASUREMENTS

- Width: 22 inches (55.88 cm)
- Depth: 5 inches (12.7 cm)
- Height: 31 inches (78.74 cm)

THANK YOU

BEFORE YOU BEGIN

1. Prior to installation, unpack your new product and inspect it. Keep the product in its original package until you are ready to install it.
2. The wall must be square, plumb and level.
3. It is recommended that this installation be done with a minimum of two people. Do not install this fixture alone.
4. Anchors and wall screws are not provided.

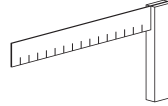
RECOMMENDED TOOLS



Tape Measure



Pencil



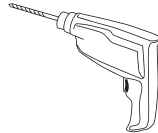
Square



Ruler



Level



Drill

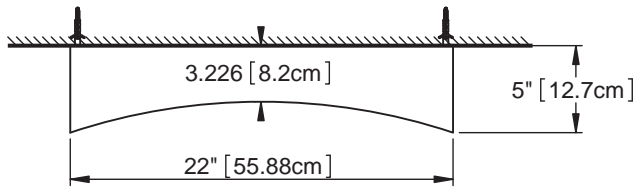


Phillips
Screwdriver

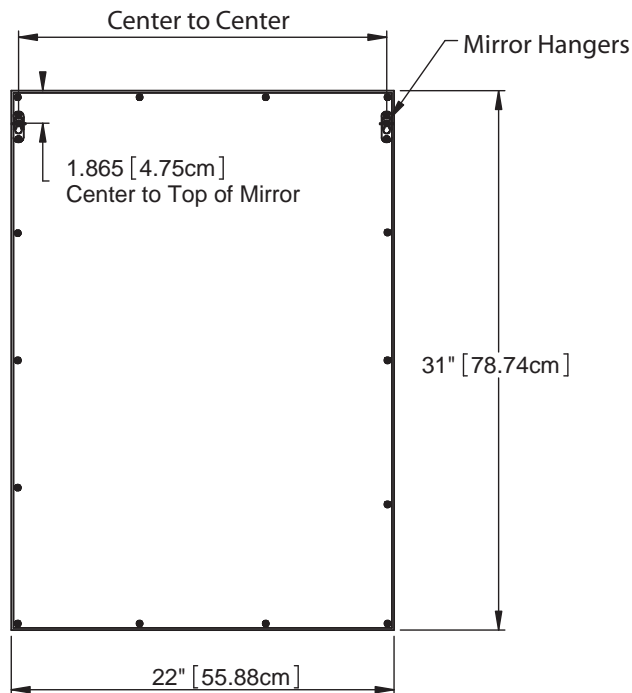


Flathead
Screwdriver

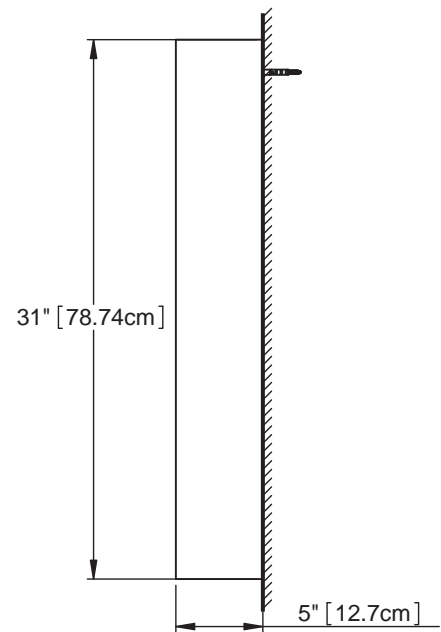
ROUGHING-IN DIMENSIONS



Top View



Back View

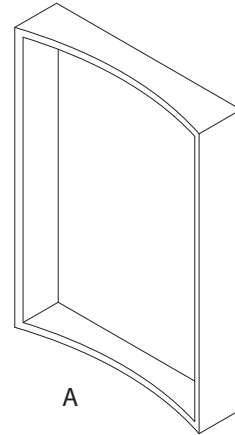


Side View

PARTS

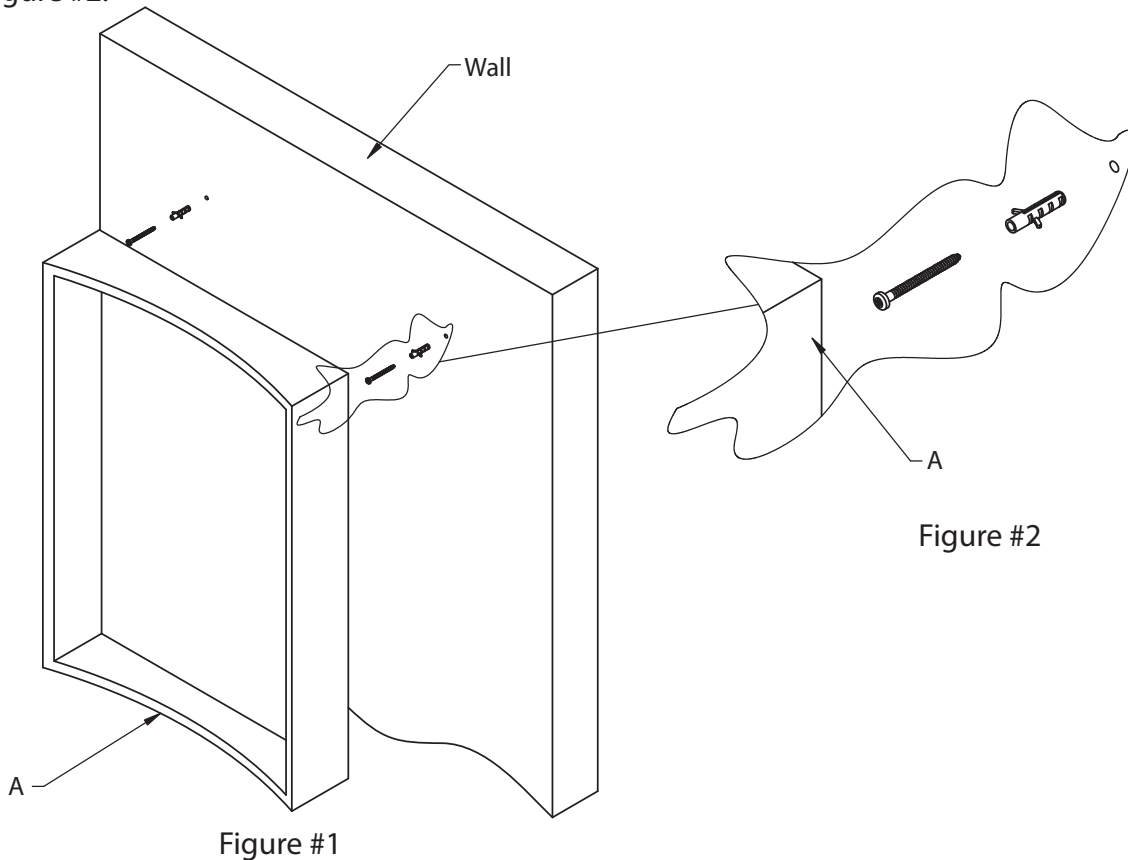
Item	Description	Qty
A	Mirror Assembly	1

NOTE: Anchors and Screws are not provided.



INSTALLATION INSTRUCTIONS

- STEP #1
 - o Prepare wall by drilling, then inserting anchor at desired mounting location of the Mirror Assembly (A).
 - o Distance between mirror hangers has to be measured from center to center.
 - o Refer to Figure #1.
- STEP #2
 - o Attach wall screw to anchor leaving approximately 3/8" (0.953cm) of screw revealed.
 - o Refer to Figure #2.



INSTALLATION INSTRUCTIONS

- STEP #3
 - o Hang Mirror Assembly as shown.
 - o Refer to Figure #3 finished unit.

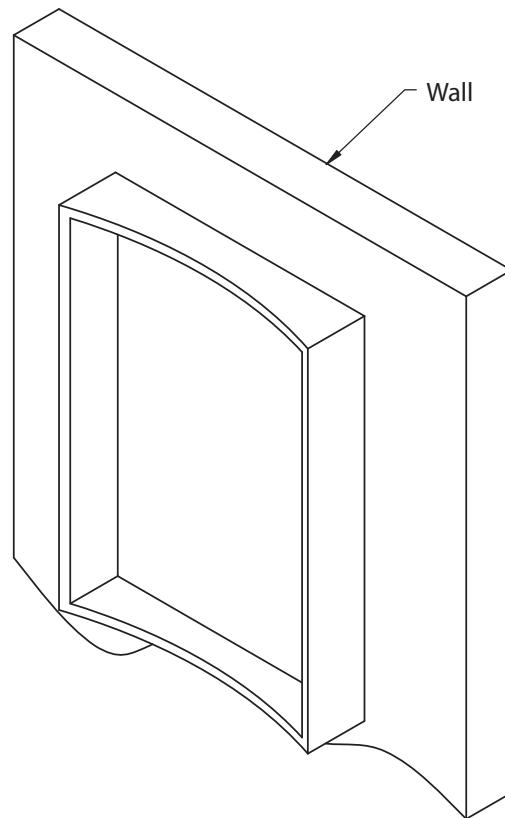


Figure #3

CARE AND CLEANING

- DO NOT clean the product with Detergents, Acid, Abrasives, Harsh Cleaners or a cloth with a coarse surface (S.O.S.® Pads, Scotch Brite® Pads).
This is good advice for any plumbing fixture regardless of material.
- DO NOT leave any cleaning agents other than water on your product.
- DO NOT allow your product to unnecessarily encounter other solid objects.
- DO clean your product. Wipe with a damp cloth and dry with a soft cloth. If necessary, a general mild soap and water solution can be used. Use a mild furniture polish to clean wood frame.
- DO wipe your product with a clean, dry, soft cloth after each use, as it will limit water spots, especially in hard water areas.
- DO clean your mirror. Wipe with a glass cleaner and a clean soft cloth. Use a mild furniture polish to clean wood frame.

WARRANTY
