

# Installation & Assembly

## NOTICE

- \*Please make sure that you have all parts indicated and they are in good condition before you begin assembly of this item. Refer to part list and hardware list below for guidance.
- \*This item should be assembled on a soft surface to prevent scratching the finish during assembly.
- \*This item may require periodic tightening.
- \*If you are having difficulty, our friendly Customer Care team is always here to help.






## PREPARATION

- \*Before beginning assembly of product, make sure all parts are present. Compare parts with part contents list and hardware contents list.
- \*If any part is missing or damaged, do not attempt to assemble the product.
- \*Estimated Assembly Time: 5 minutes.
- \*Tools Required for Assembly (included): Hex Key

## CARE AND MAINTENANCE

Always use felt pads under all articles to prevent discoloration or softening of the lacquer. Plastic and rubber bases on items can discolor wood. Wipe up spills immediately and avoid common hazards such as hot dishes, harsh solvents and abrasive. Cleaning should be done with a soft lint free cotton cloth dampened with water or furniture polish. On highly used surfaces we recommend applying a quality paste wax which should be used on a regular basis to provide additional protection from scratches and spills. How often you apply the wax depends on how much wear the furniture receives.

### Parts List and Hardware List

PIECE	DESCRIPTION	PICTURE	QUANTITY
A	Box		1X
B	Legs		2X
HW1	JCBC Bolt: M6 x 0.5 x 35 mm		8X
HW2	Flat Washer: M6 x Ø17 x 1.5 mm		8X
HW3	Hex Key		1X

Product Dimension: 35.5"W x 18"D x 26.5"H



Weight Capacity – 150 Lbs  
Warning : Do not stand on Table  
Warning : Do not over torque bolts

## PREPARATION

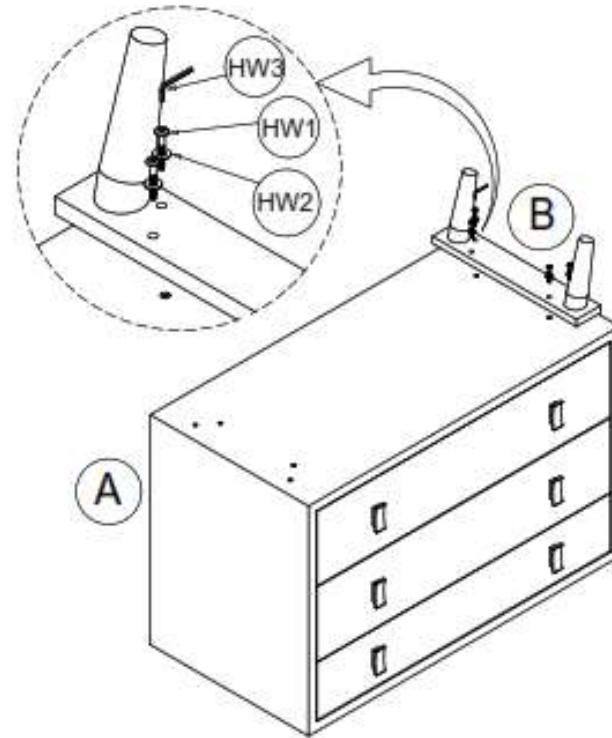
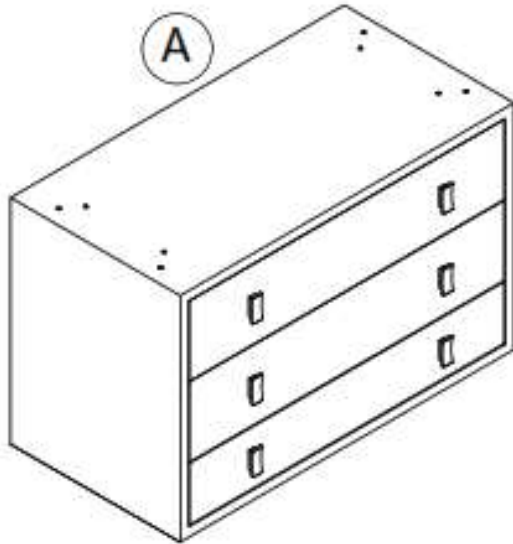
\*Before beginning assembly of product, make sure all parts are present. Compare parts with part contents list and hardware contents list.

\*If any part is missing or damaged, do not attempt to assemble the product.

\*Estimated Assembly Time: 5 minutes.

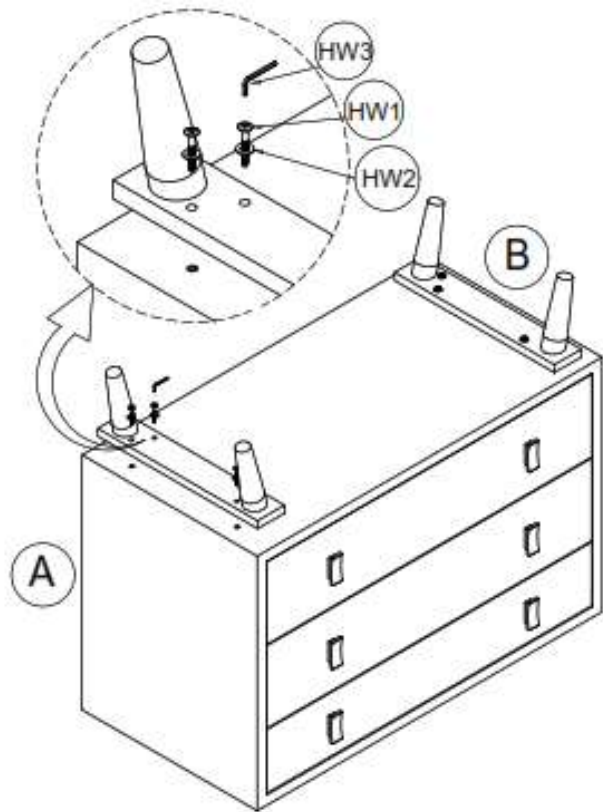
\*Tools Required for Assembly (included): Hex key`

\*If you are having difficulty, our friendly Customer Care team is always here to help.



**STEP 1:** Place Box (A) upside down as shown in the picture above.

**STEP 2:** Place the Leg (B) parallel to the bolt hole on the Box (A) then insert the Bolt (HW1) and Flat washer (HW2) and then tighten using the Hex key (HW3).



**STEP 3:**

Do the same thing in step 2 as shown in the image above.



**STEP 4:**

Make sure all bolts are screwed in firmly. Your product is ready for use.