





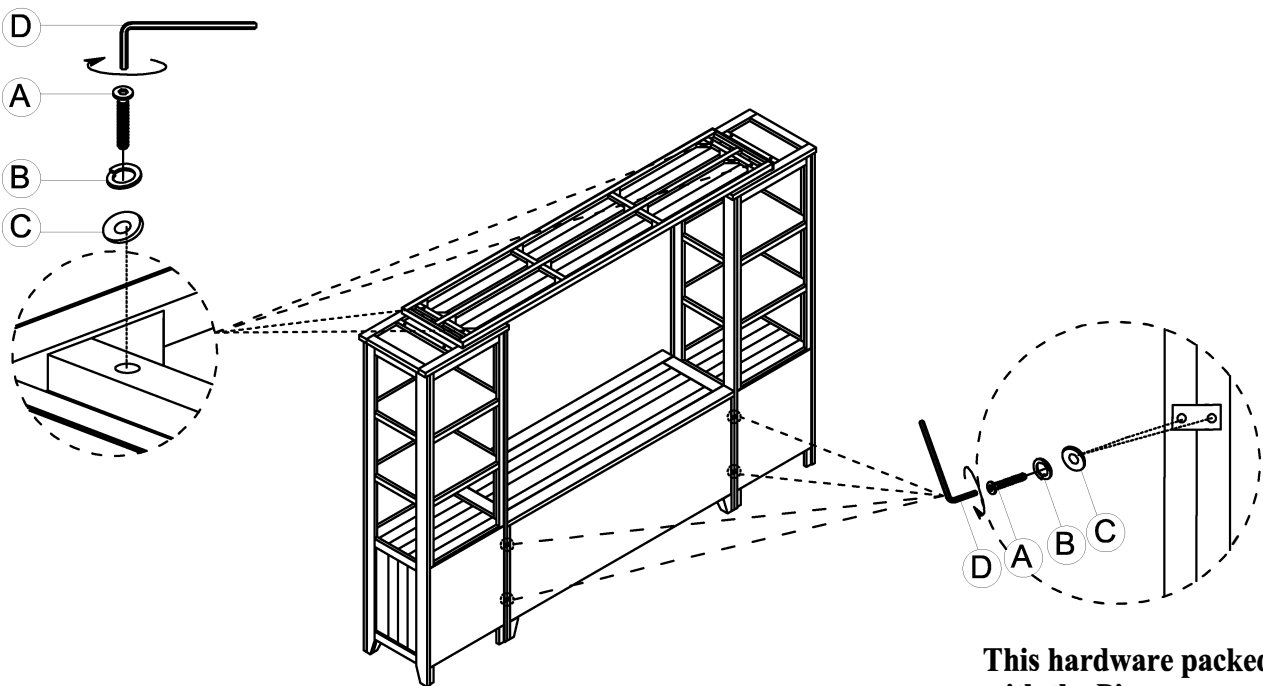
ASSEMBLY INSTRUCTIONS & PARTS IDENTIFICATION

PIER BRIDGE

Thank you for purchasing this quality product. Be sure to check all packing material carefully for small parts that may have come loose inside the carton during shipment.

Hardware Kit			
No		Description	Q'ty
A		Bolt Ø6.3 x 50	4 pcs
B		Lock washer Ø6.5	4 pcs
C		Flat washer Ø6.5	4 pcs
D		Allen key	1 pc

ATTACHING THE PIER BRIDGE
TO THE PIERS



This hardware packed in
with the Pier

