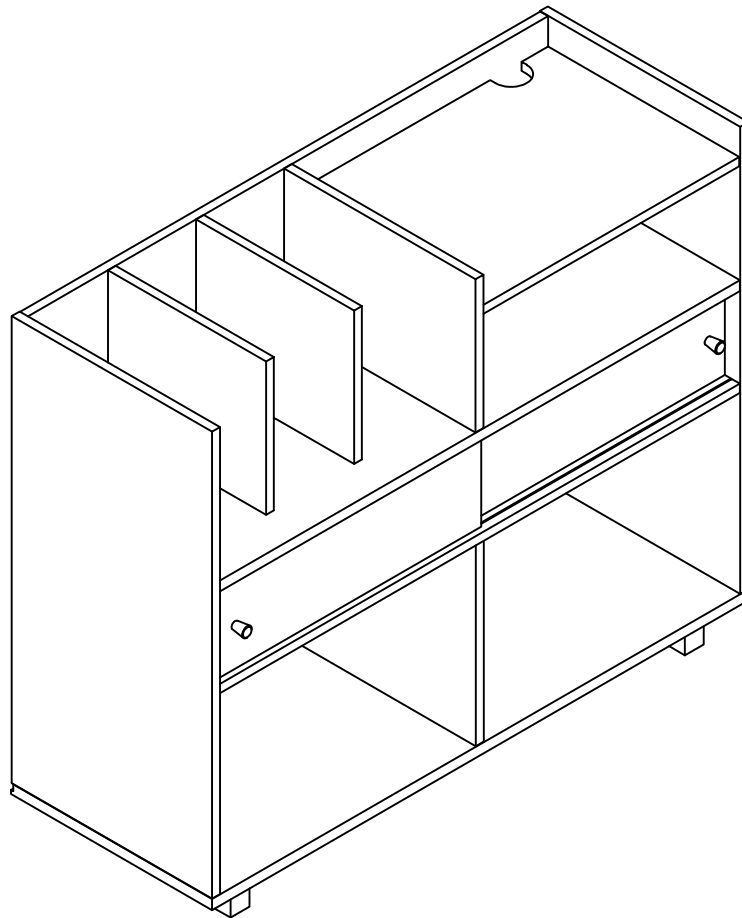
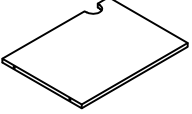


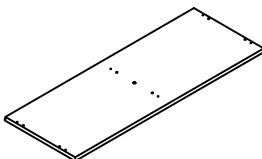
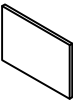
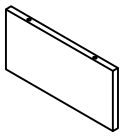
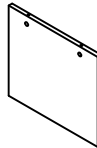
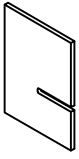
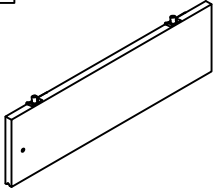
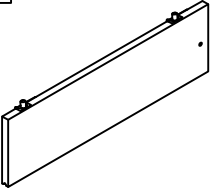
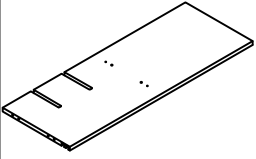
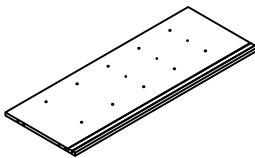
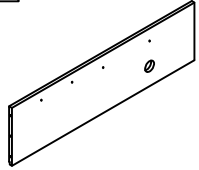
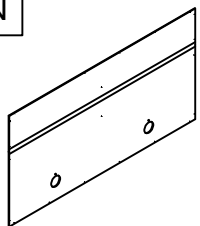
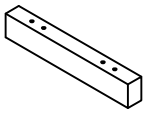
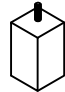



CROSLEY
FURNITURE


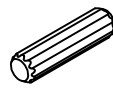
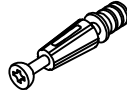

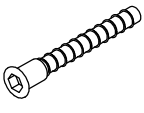



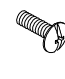
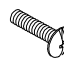
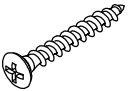






Record Player Cabinet
with Vinyl And CD Storage
CF1220



PARTS LIST

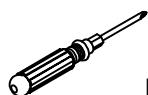
<p>A</p> 	<p>B</p> 	<p>C</p> 	<p>D</p> 	<p>E</p> 
<p>Top Panel 1 PC</p>	<p>Left Panel 1 PC</p>	<p>Right Panel 1 PC</p>	<p>Bottom Panel 1 PC</p>	<p>Upper Partition Panel 1 PC</p>
<p>F</p> 	<p>G</p> 	<p>H</p> 	<p>I</p> 	<p>J</p> 
<p>Middle Partition Panel 3 PCS</p>	<p>Lower Partition Panel 1 PC</p>	<p>Left Partition Panel 2 PCS</p>	<p>Left Door 1 PC</p>	<p>Right Door 1 PC</p>
<p>K</p> 	<p>L</p> 	<p>M</p> 	<p>N</p> 	<p>O</p> 
<p>Upper Fixed Shelf 1 PC</p>	<p>Lower Fixed Shelf 1 PC</p>	<p>Upper Back Panel 1 PC</p>	<p>Lower Back Panel 1 PC</p>	<p>Leg 2 PCS</p>
<p>P</p> 	<p>Q</p> 			
<p>Support Leg 1 PC</p>	<p>Cover 3 PCS</p>			

HARDWARE LIST

#1		#2	 8*30mm	#3		#4		#5	 7*38mm
	Knob 2 PCS		Wood Dowel 28 PCS (Extra 1)		Cam Bolt 18 PCS (Extra 1)		Cam Lock 18 PCS (Extra 1)		Tapping Bolt 11 PCS (Extra 1)
#6	 1/4"*45mm	#7	 1/4"*11mm	#8	 1/4"*13mm	#9	 5/32"*10mm	#10	 5/32"*20mm
	Bolt 4 PCS (Extra 1)		Spring Washer 4 PCS (Extra 1)		Flat Washer 4 PCS (Extra 1)		Short Round Head Bolt 1 PC (Extra 1)		Long Round Head Bolt 2 PCS (Extra 1)
#11	 8*4*31mm	#12		#13	 8*3*12mm	#14		#15	 M2
	Long Screw 4 PCS (Extra 1)		Binding Post 2 SETS (Extra 1)		Short Screw 22 PCS (Extra 1)		Cam Sticker 18 PCS (Extra 1)		Small Allen Wrench 1 PC
#16	 M4	#17							
	Allen Wrench 1 PC		Safety Strap Kit 1 SET						

ADDITIONAL TOOLS (Not Provided)

Note: It is not recommended to use power tools during assembly.

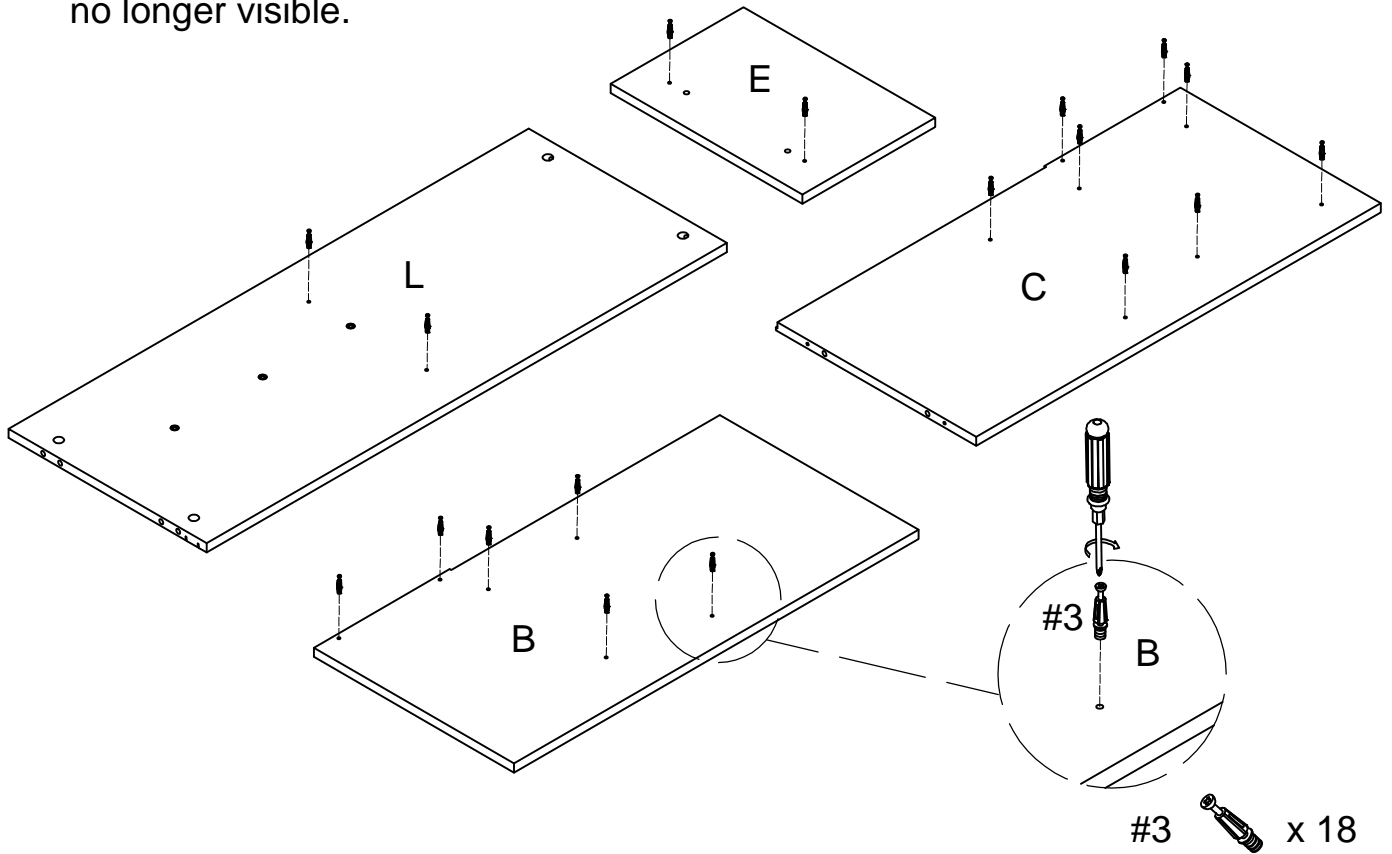


Phillips Head Screwdriver

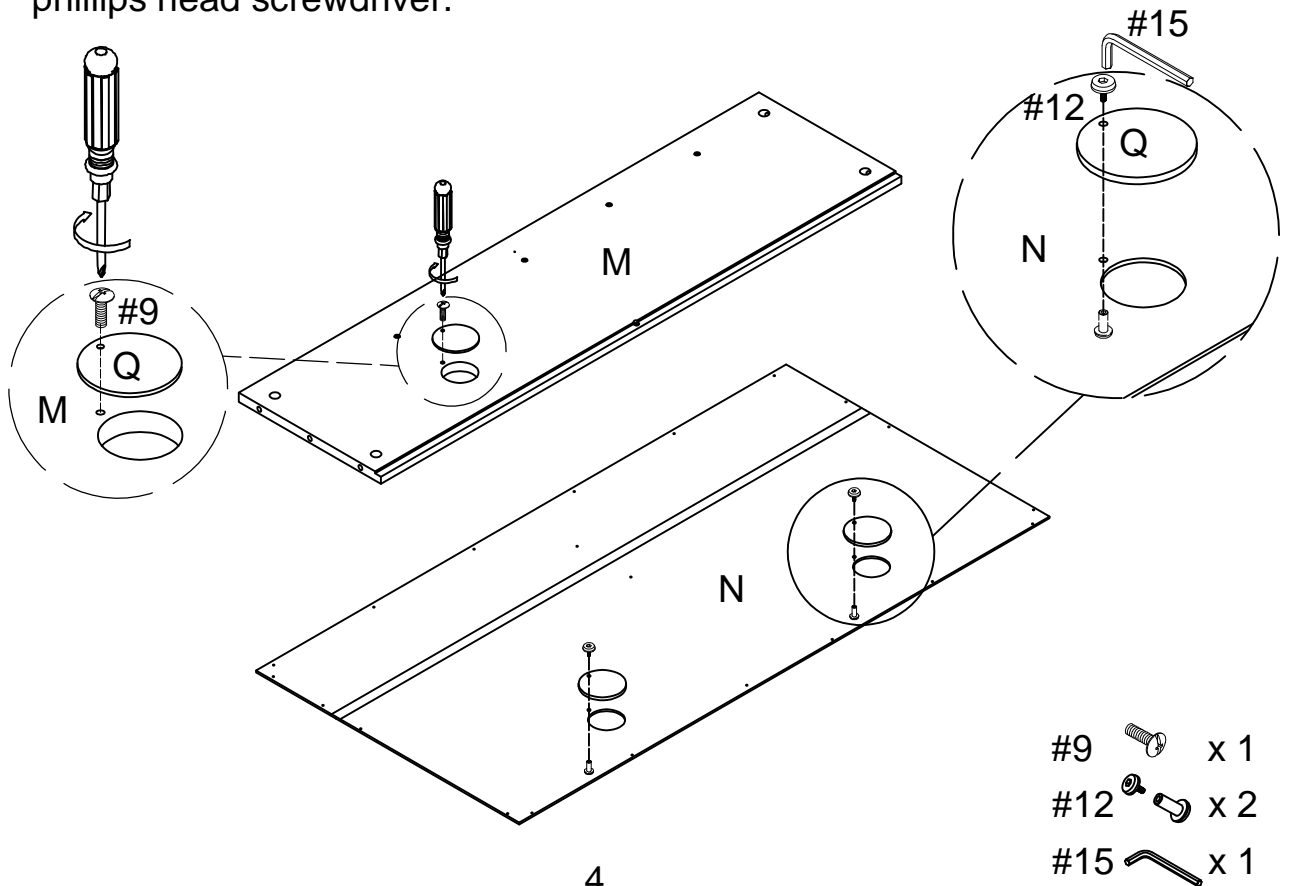
Note: Wood dowels are intended for alignment. Additional clearance between wood dowel and pre-drilled hole is intentional for ease of assembly.

Step 1. Insert cam bolts (part #3) into pre-drilled holes of panels (parts B, C, E & L) using phillips head screwdriver.

Note: Do not over tighten cam bolts. Stop tightening once threads on cam bolt are no longer visible.

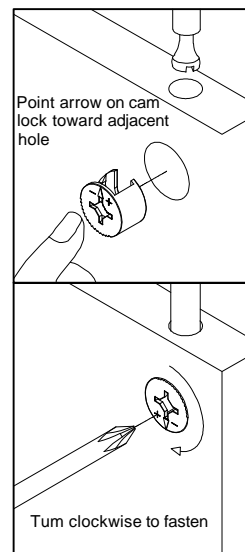
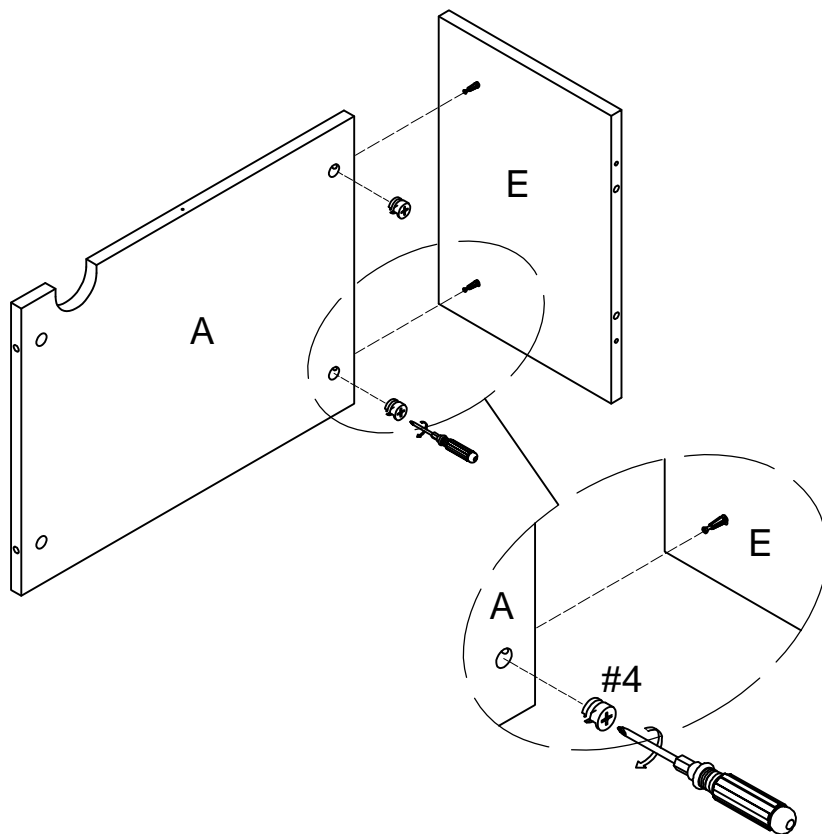


Step 2. Attach covers (part Q) to back panels (parts M & N) using short round head bolt (part #9), binding posts (part #12), small allen wrench (part #15) and phillips head screwdriver.



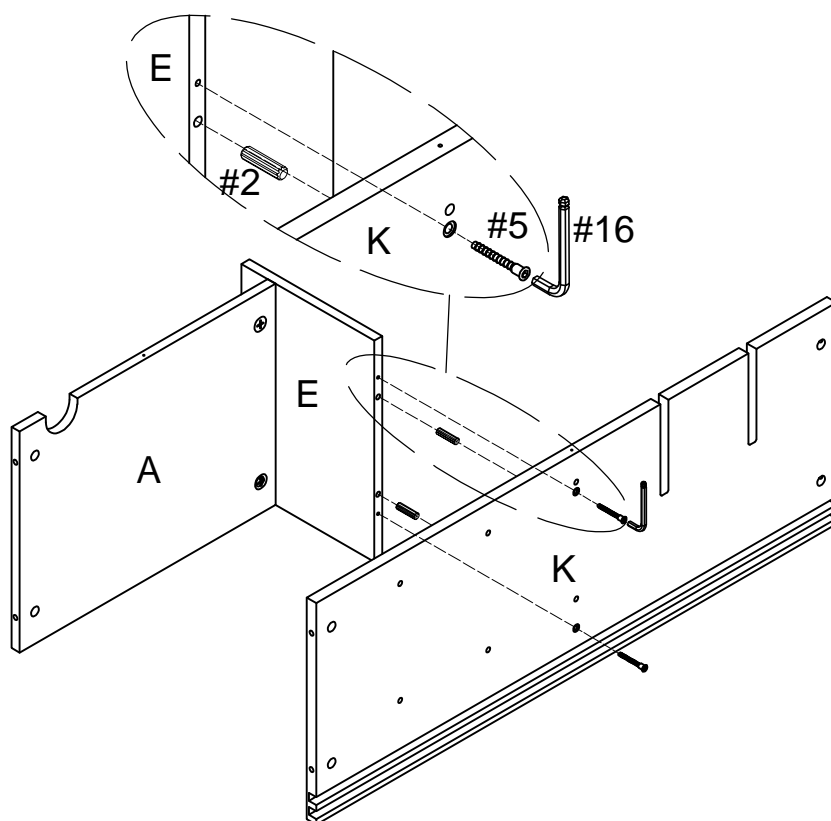
Step 3. Attach upper partition panel (part E) to top panel (part A) using cam locks (part #4) and phillips head screwdriver.

Note: Cam locks must rotate a full 180°. See pictured insert.



#4  x 2

Step 4. Attach upper fixed shelf (part K) to upper partition panel (part E) using wood dowels (part #2), tapping bolts (part #5) and allen wrench (part #16).

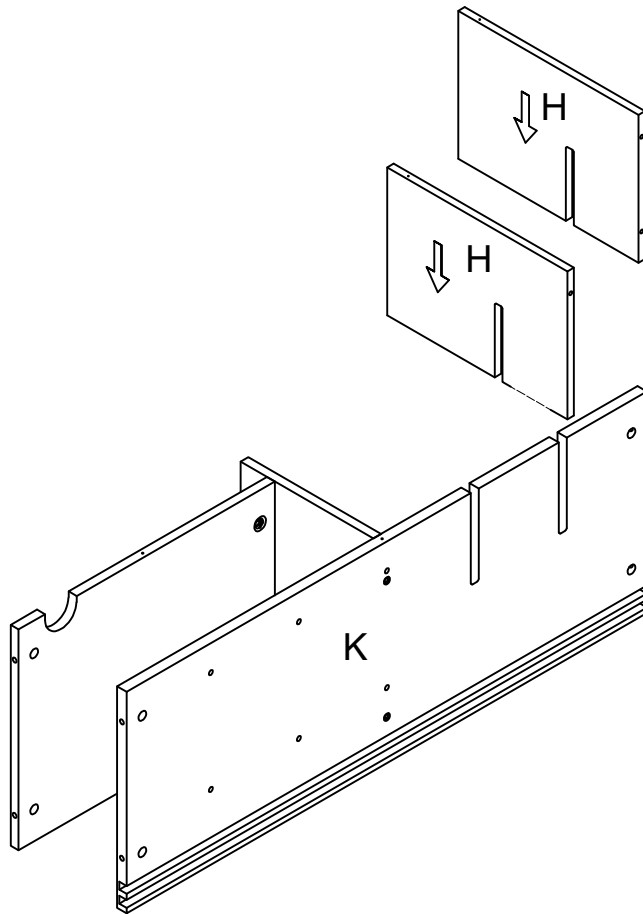


#2  x 2

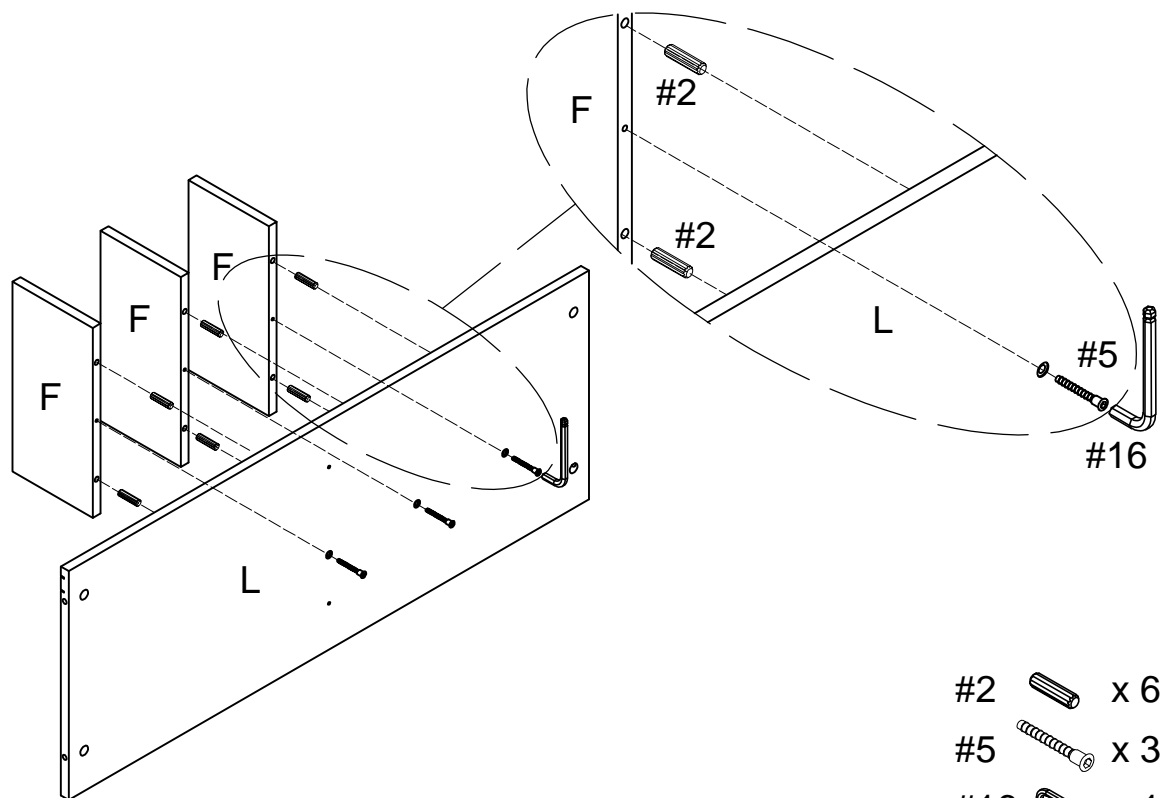
#5  x 2

#16  x 1

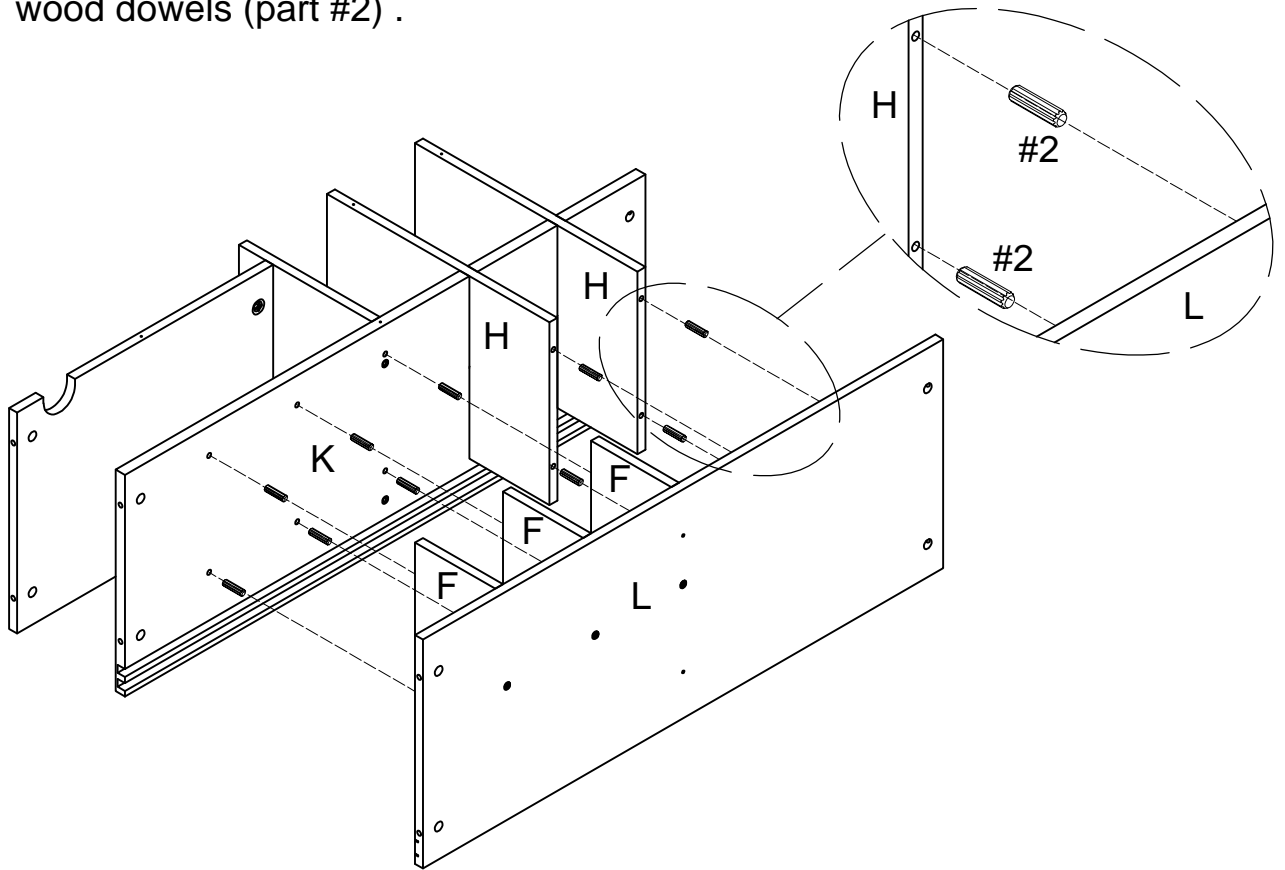
Step 5. Insert left partition panels (part H) to upper fixed shelf (part K).



Step 6. Attach middle partition panels (part F) to lower fixed shelf (part L) using wood dowels (part #2), tapping bolts (part #5) and allen wrench (part #16).



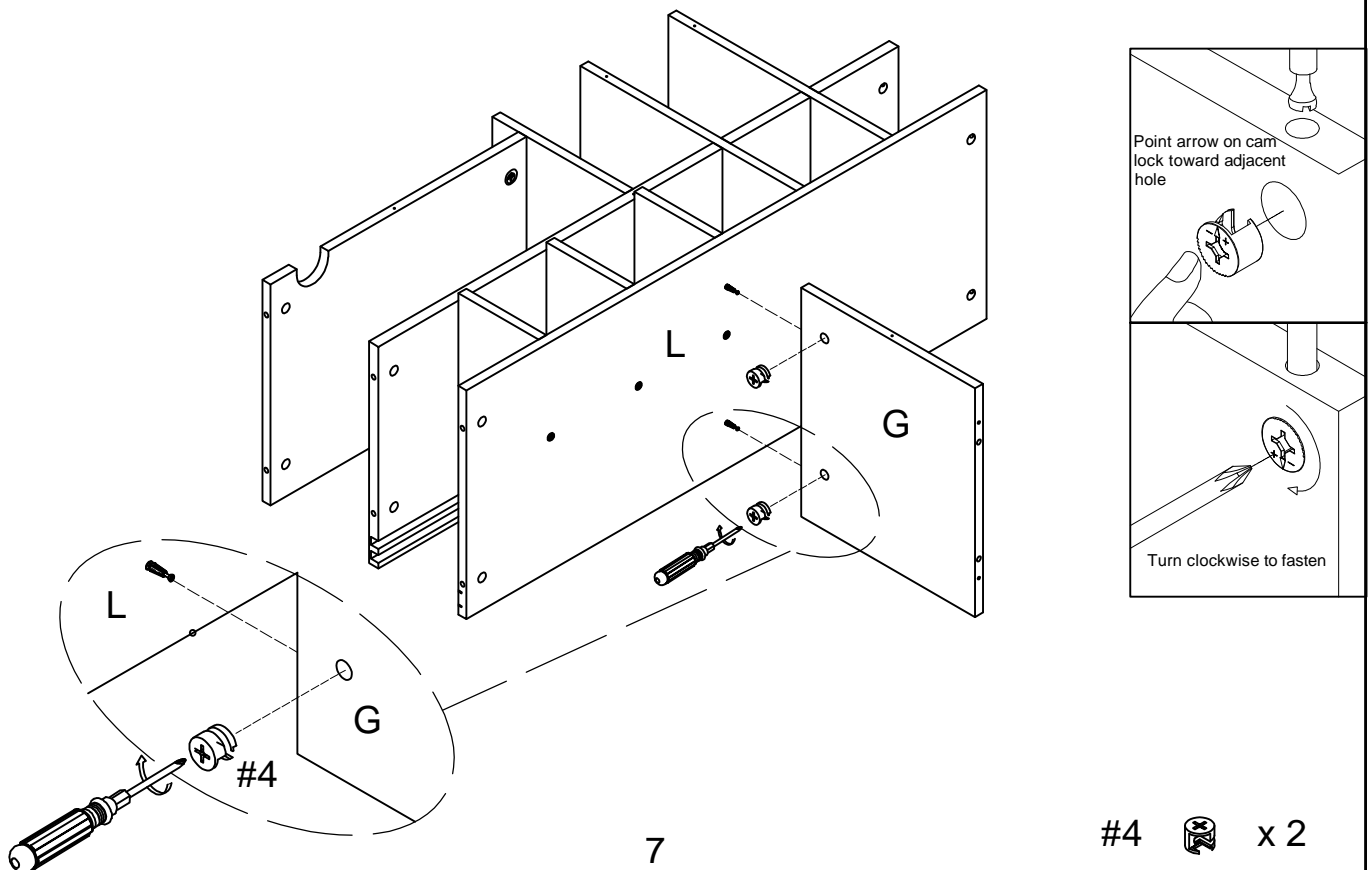
Step 7. Attach assembled unit (parts F & L) to assembled unit (parts K & H) using wood dowels (part #2).



#2  x 10

Step 8. Attach lower partition panel (part G) to lower fixed shelf (part L) using cam locks (part #4) and phillips head screwdriver.

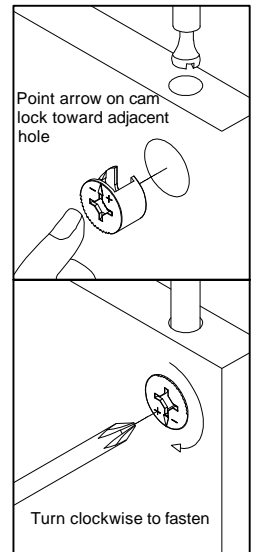
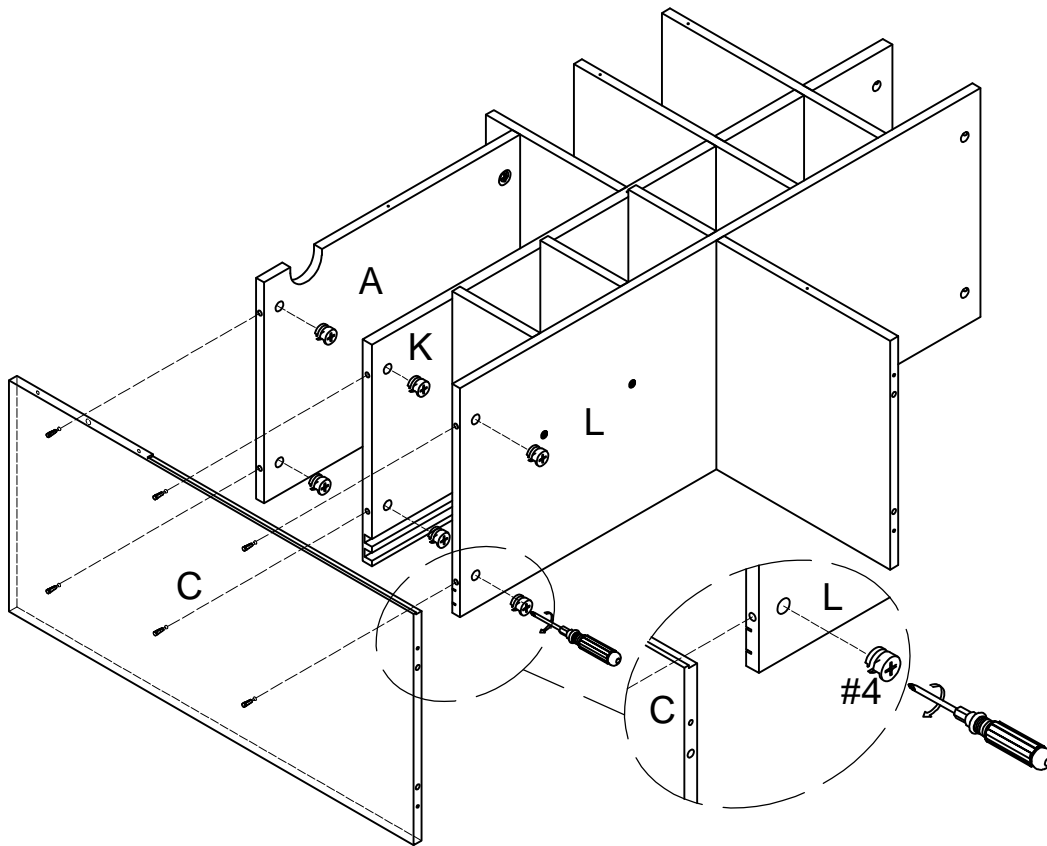
Note: Cam locks must rotate a full 180°. See pictured insert.



#4  x 2

Step 9. Attach right panel (part C) to assembled unit (parts A, K & L) using cam locks (part #4) and phillips head screwdriver.

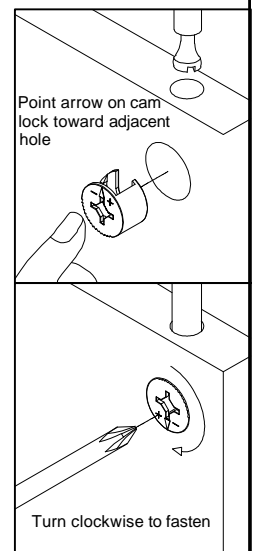
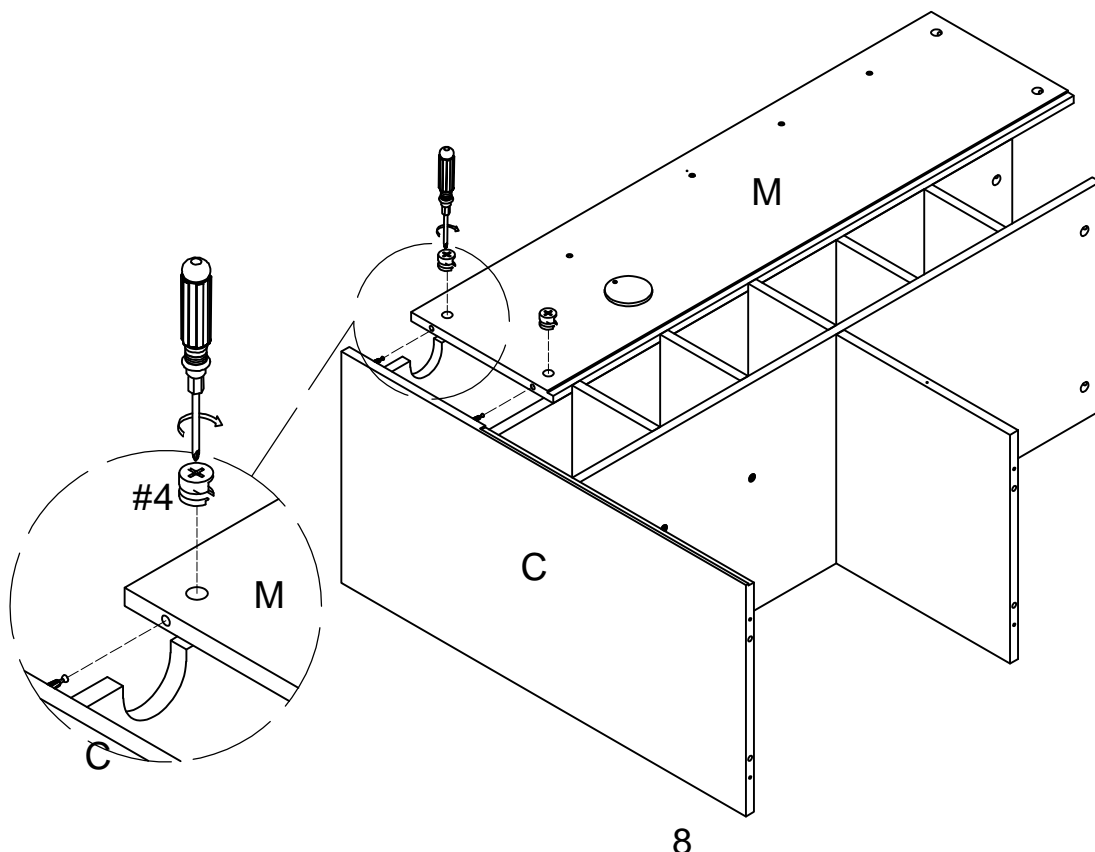
Note: Cam locks must rotate a full 180°. See pictured insert.



#4  x 6

Step 10. Attach upper back panel (part M) to right panel (part C) using cam locks (part #4) and phillips head screwdriver.

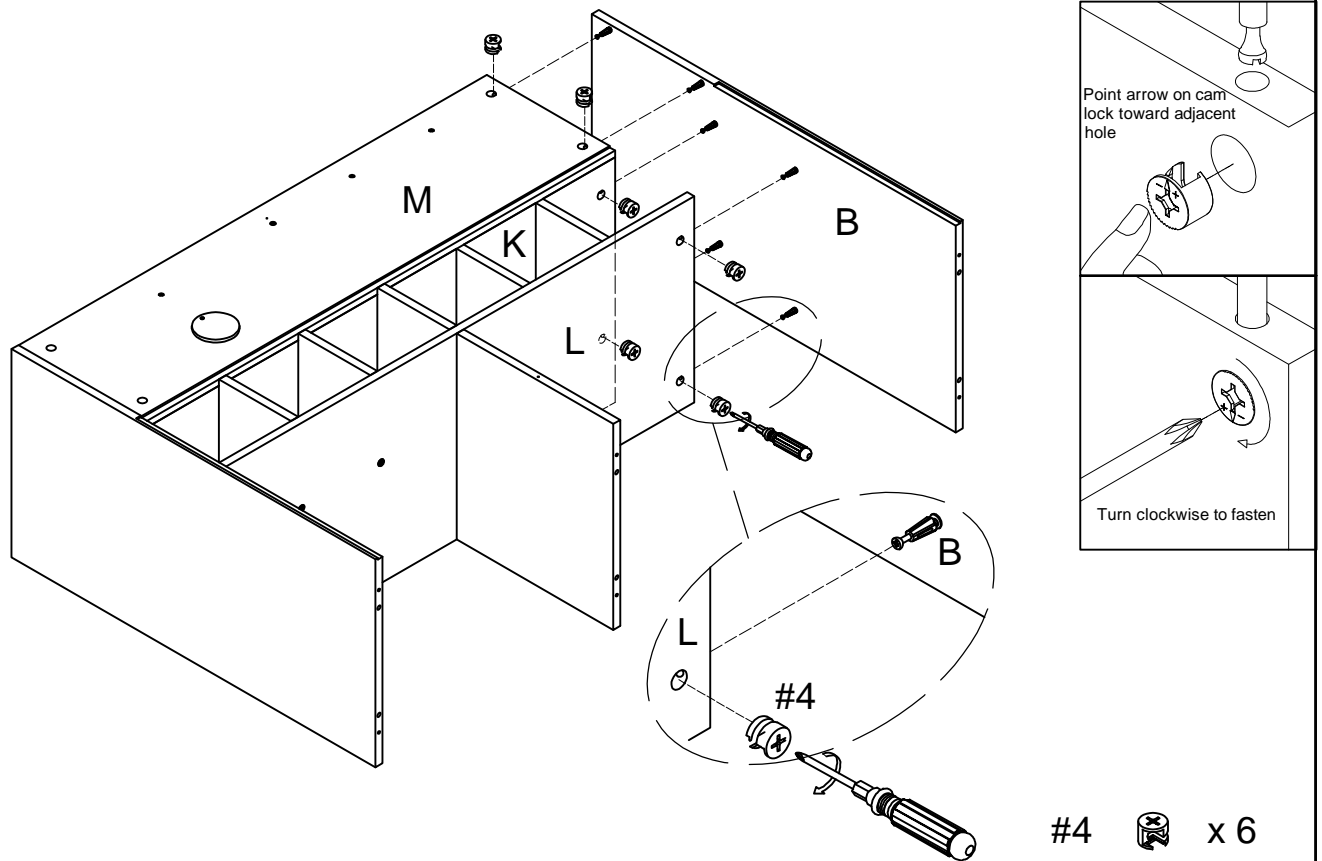
Note: Cam locks must rotate a full 180°. See pictured insert.



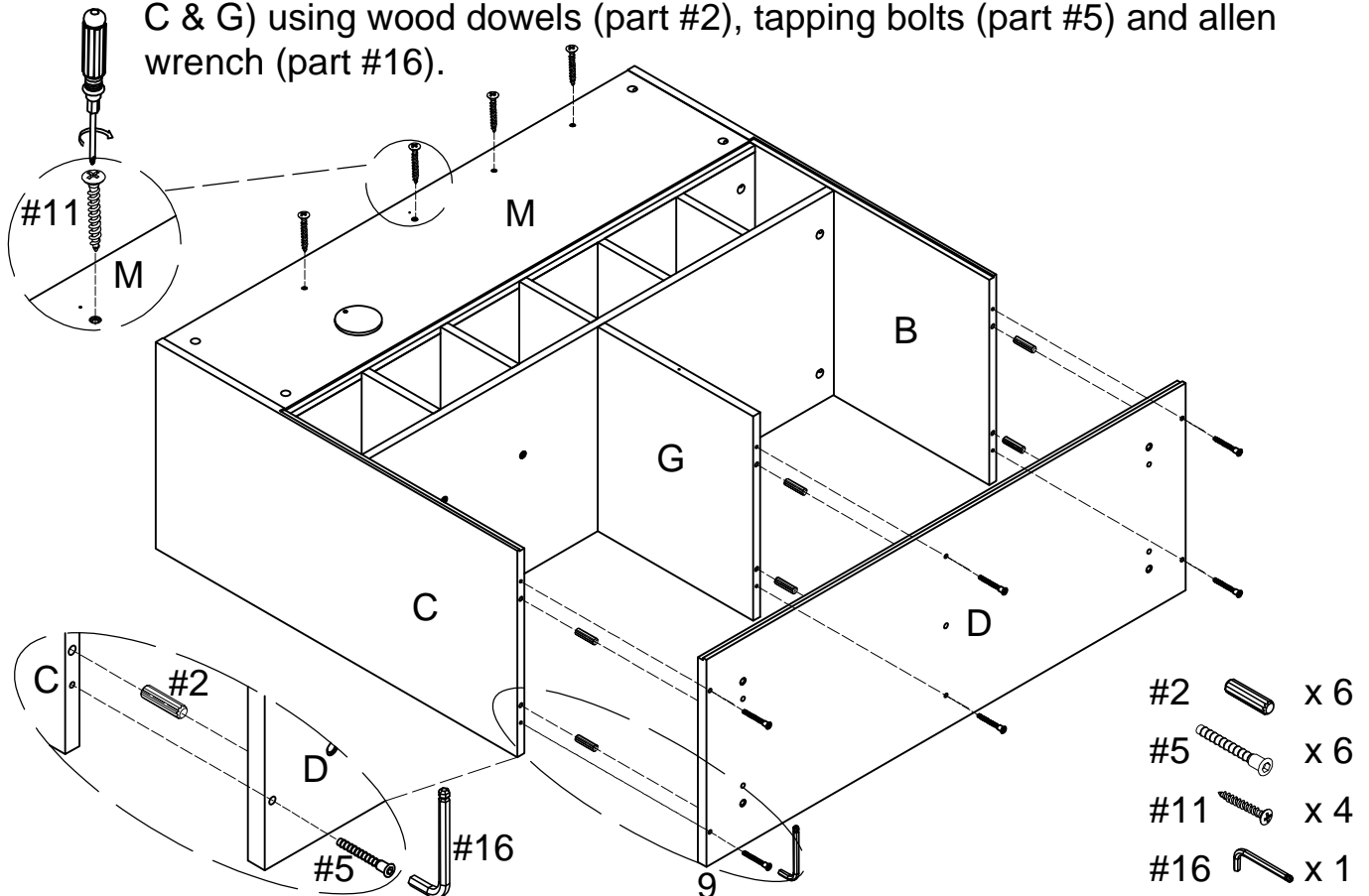
#4  x 2

Step 11. Attach left panel (part B) to assembled unit (parts K, L & M) using cam locks (part #4) and phillips head screwdriver.

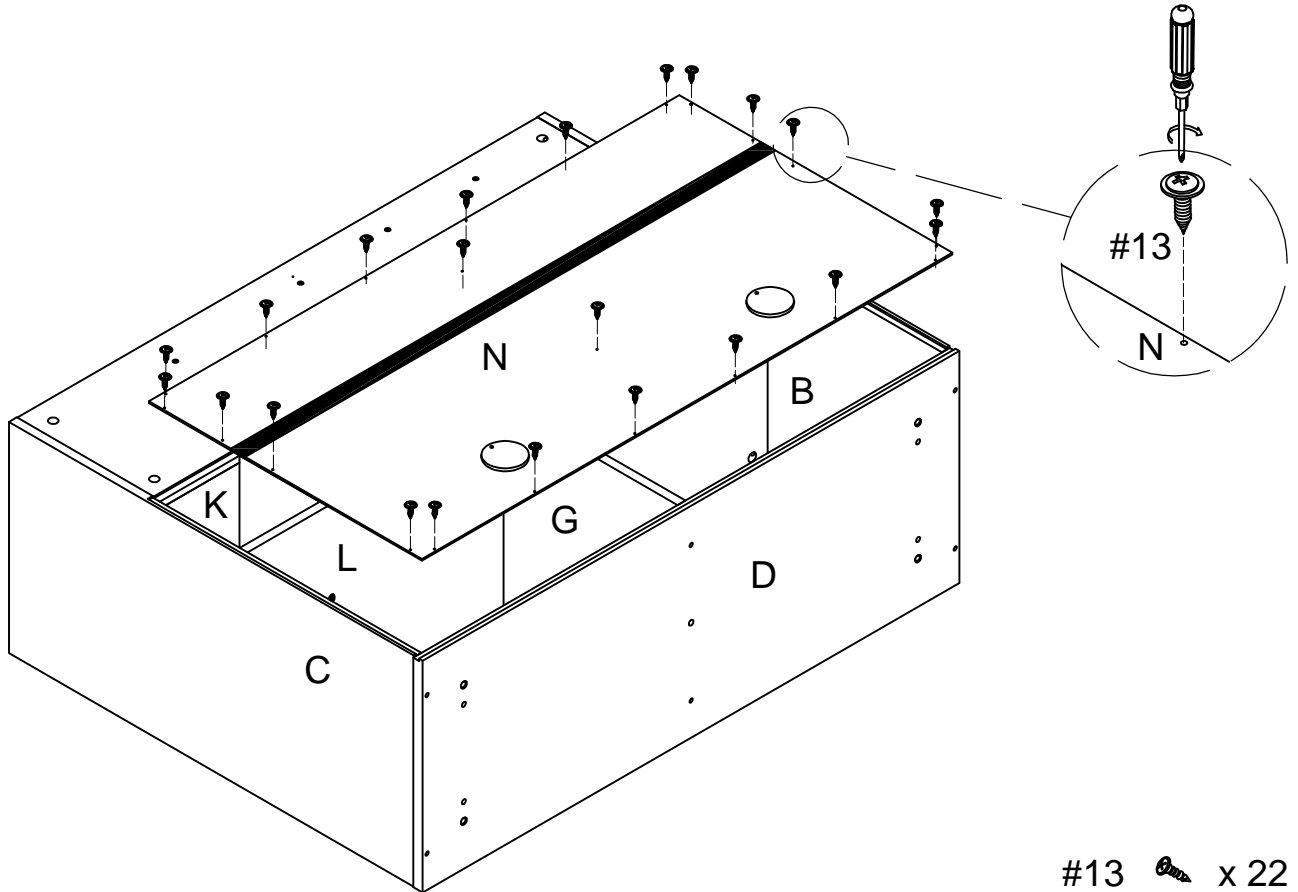
Note: Cam locks must rotate a full 180°. See pictured insert.



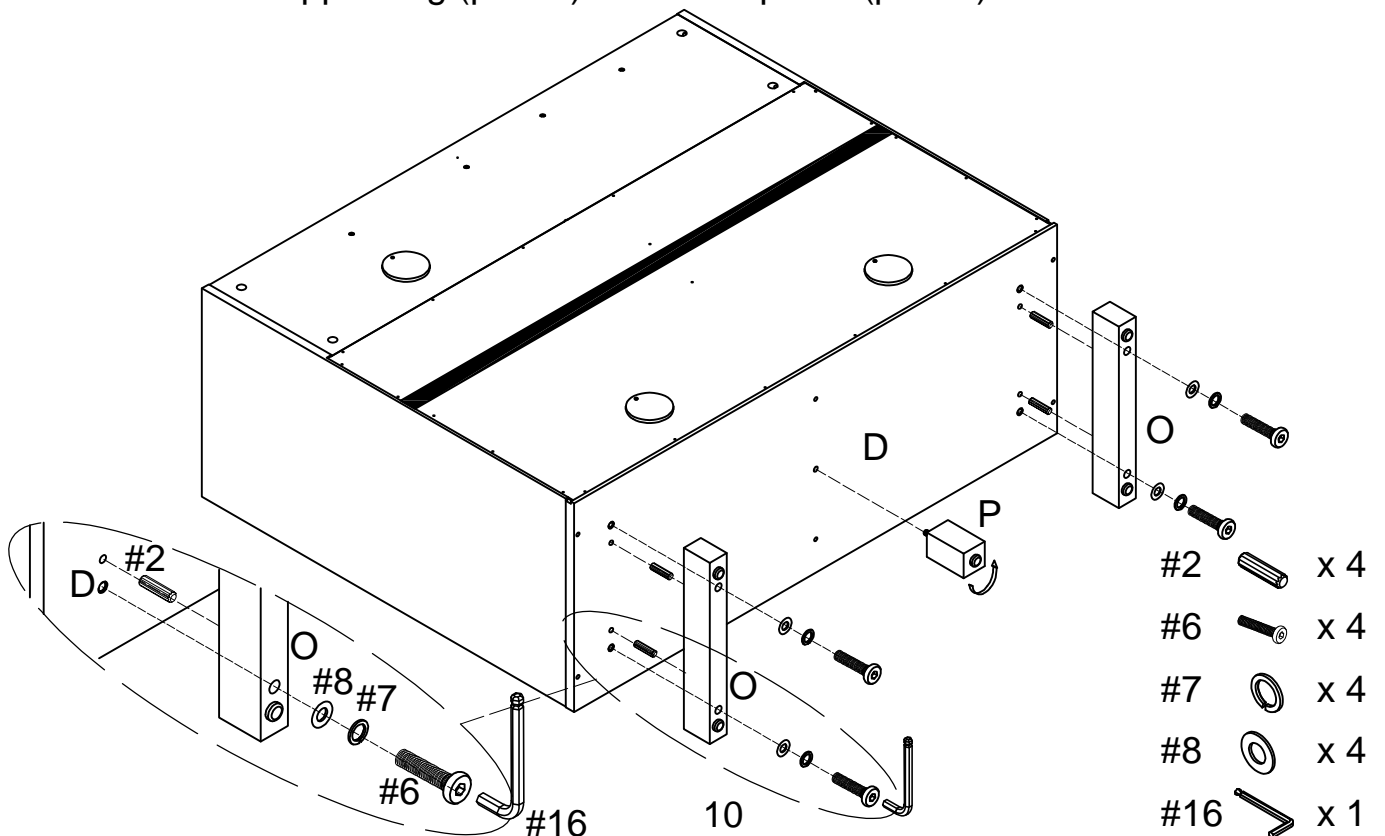
Step 12. Secure upper back panel (part M) using long screws (part #11) and phillips head screwdriver. Attach bottom panel (part D) to assembled unit (parts B, C & G) using wood dowels (part #2), tapping bolts (part #5) and allen wrench (part #16).



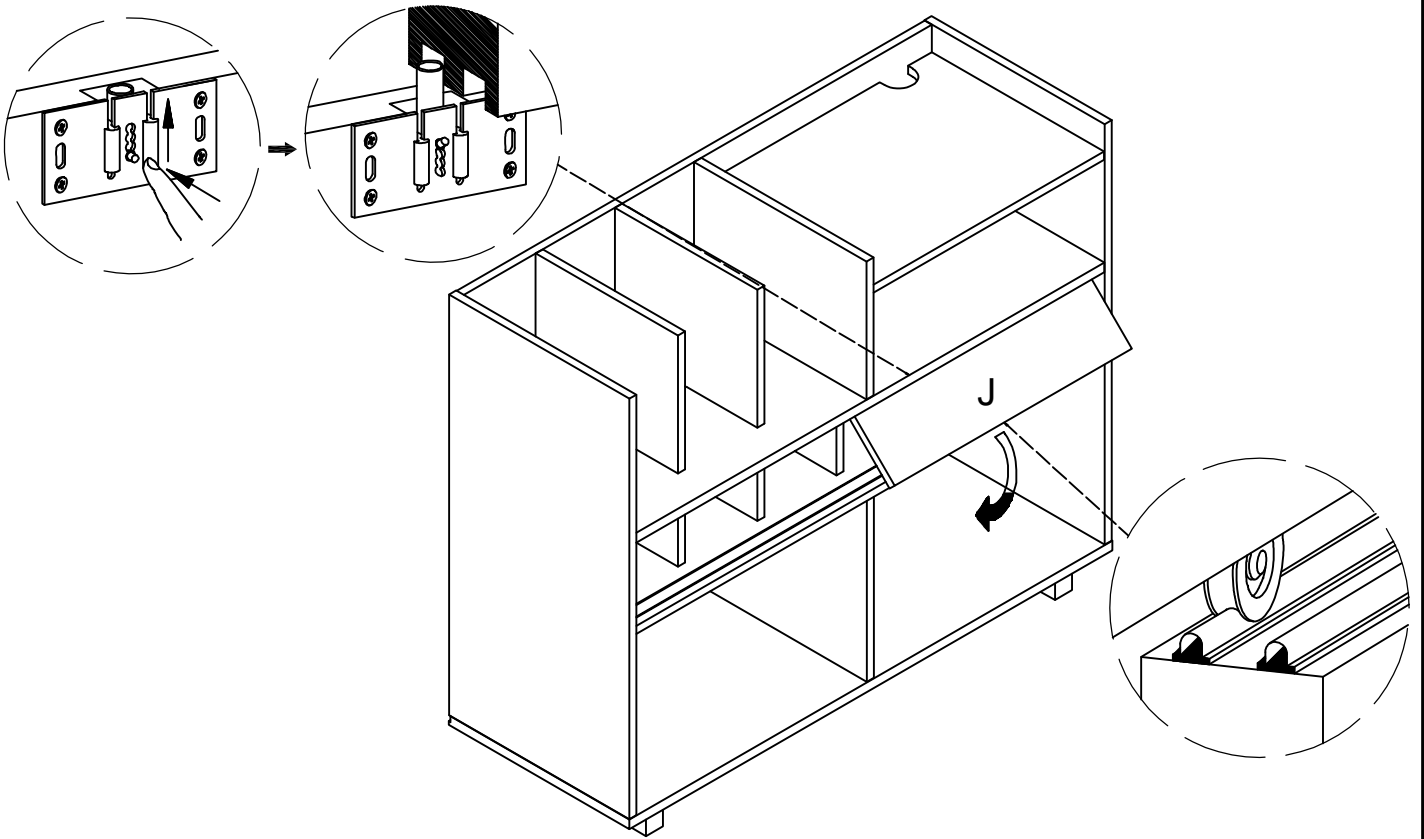
Step 13. Attach lower back panel (part N) to assembled unit (parts B, C, D, G, K & L) using short screws (part #13) and phillips head screwdriver.



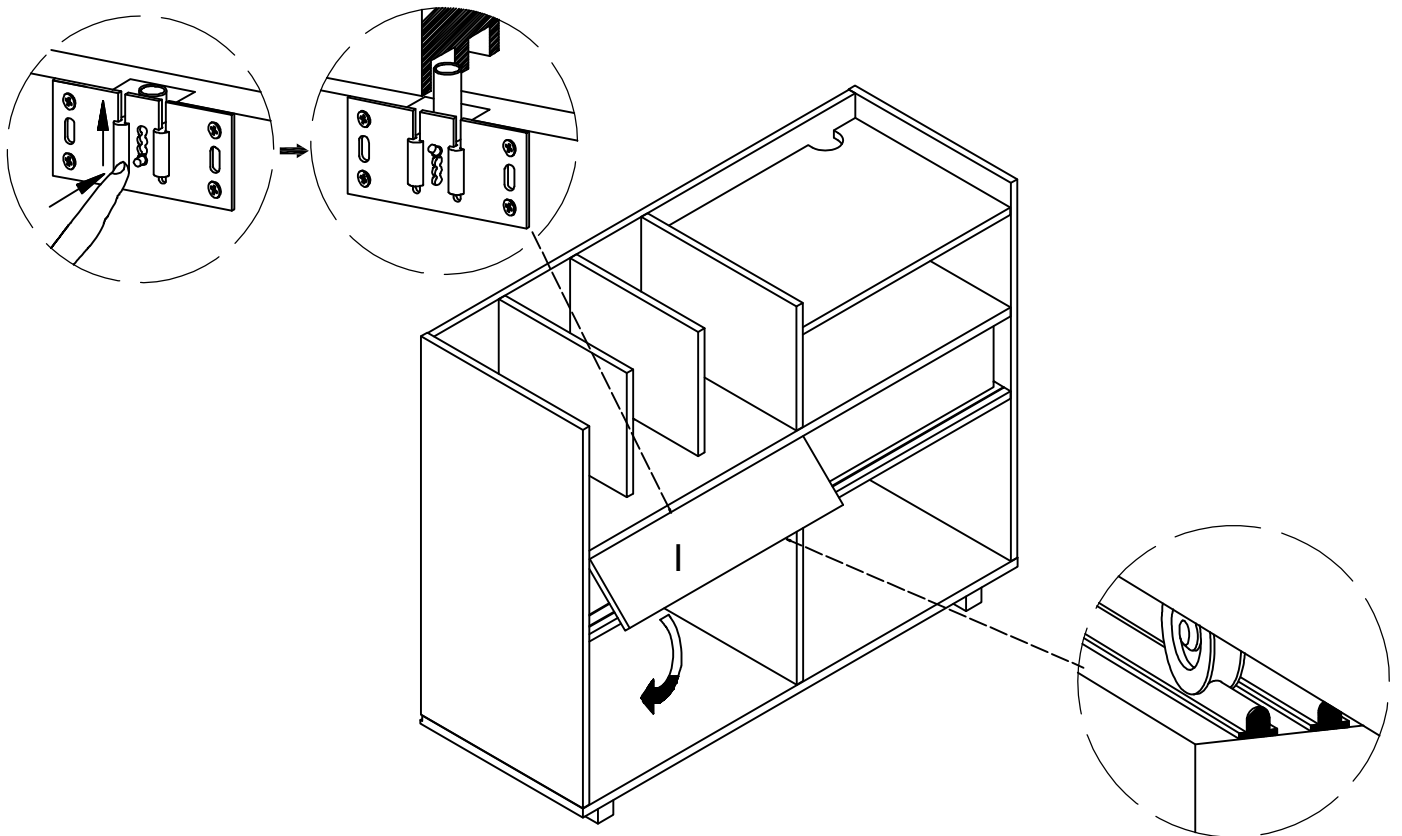
Step 14. Attach legs (part O) to bottom panel (part D) using wood dowels (part #2), bolts (part #6), spring washers (part #7), flat washers (part #8) and allen wrench (part #16).
Attach support leg (part P) to bottom panel (part D).



Step 15. Press the door pins up, then install right door (part J) to inner runners of pre-assembled unit as shown.

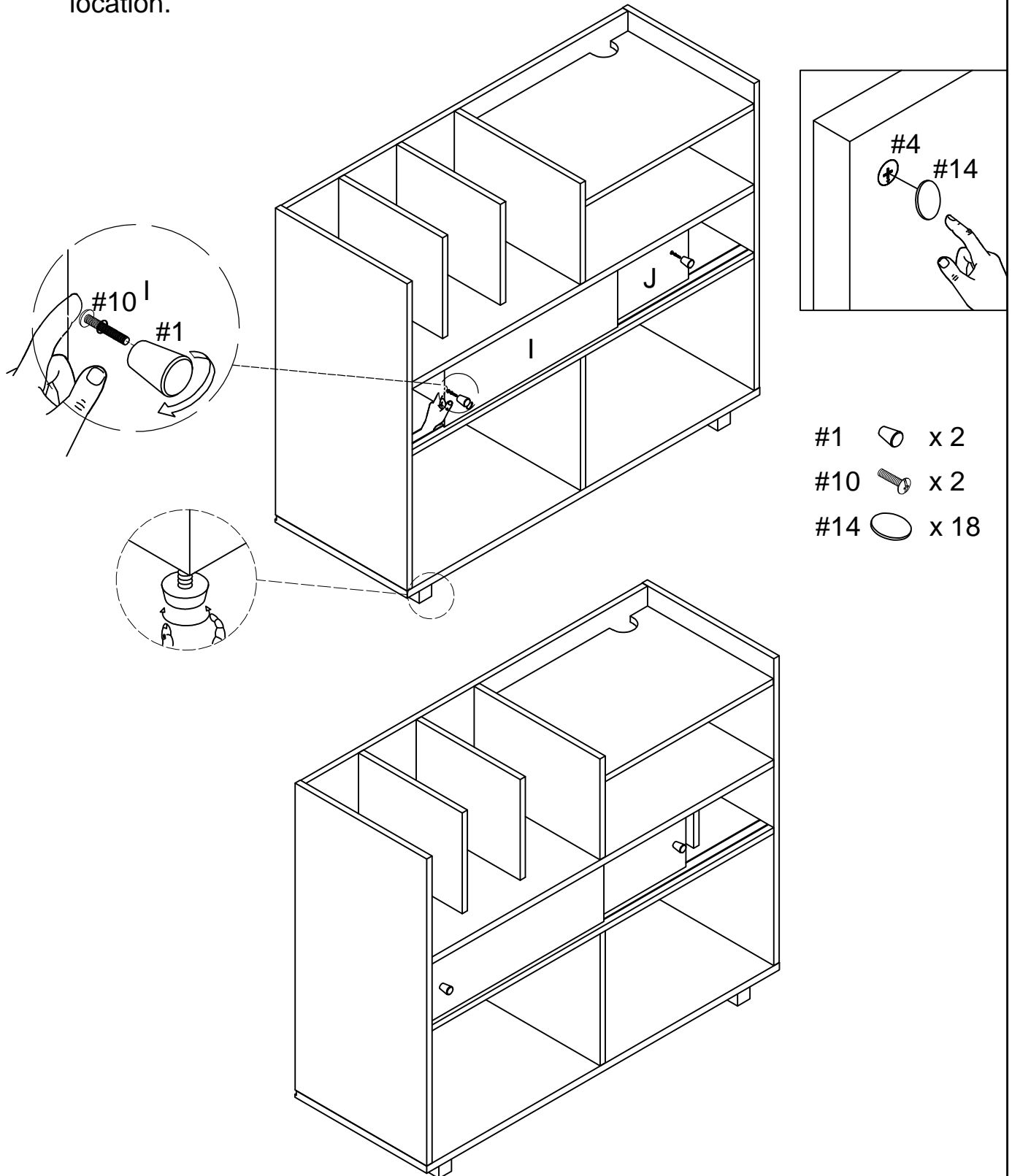


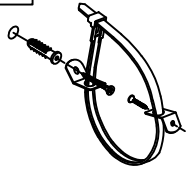




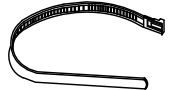
Step 16. Press the door pins up, then install left door (part I) to outer runners of pre-assembled unit as shown.



Step 17. Attach knobs (part #1) to doors (parts I & J) by pressing the head of long round wood head bolts (part #10) with your hand and then turning knobs clockwise. Using cam stickers (part #14) cover all cam locks (part #4). Important: Safety strap kit (part #17) must be installed to prevent tipping damage and/or injury.

NOTE: It is important to adjust levelers once fully assembled and upright. Extend adjustable leveler until it's firmly in contact with the floor. If relocating, adjust leveler as needed until it's firmly in contact with the floor in new location.



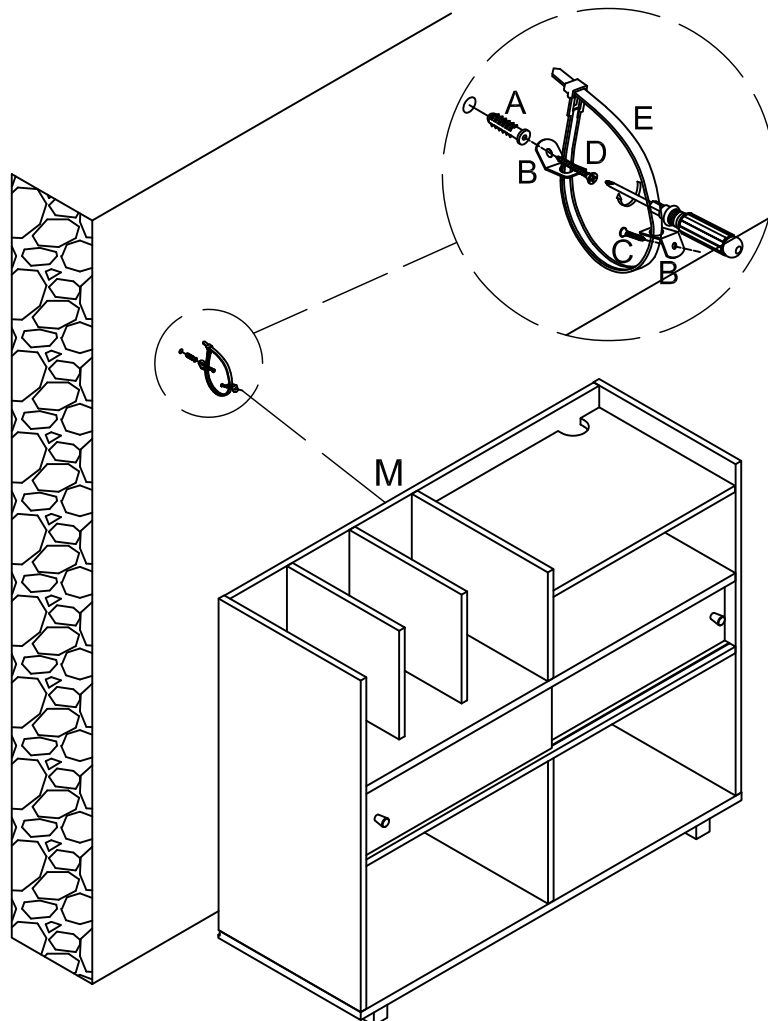
#17	A	B	C	D	E
			 8*3*15mm	 8*4*35mm	
Safety Strap Kit 1 SET	Wall Anchor 1 PC	Bracket 2 PCS	Short Screw 1 PC	Long Screw 1 PC	Safety Wall Strap 1 PC

SAFETY WALL STRAP INSTALLATION

Note: It is highly recommended to install this safety strap kit to prevent tipping, damage and/or injury.

1. Insert short screw (C) and safety wall strap (E) through bracket (B) and attach to upper back panel (part M) using phillips head screwdriver.
2. Drill a 11/32" hole where you want to secure the unit. The drilled hole will be at the same height as the hole in upper back panel (part M) where bracket (B) is attached. Tap wall anchor (A) into the hole.
3. Insert long screw (D) and safety wall strap (E) through bracket (B) into wall anchor (A) using phillips head screwdriver.

Note: This item is not intended for clothing storage use.



⚠ WARNING




Children have died from furniture tipover. To reduce the risk of furniture tipover:

- ALWAYS install tipover restraint provided.
- NEVER put a TV on this product.
- NEVER allow children to stand, climb or hang on drawers, doors, or shelves.
- NEVER open more than one drawer at a time.
- Place heaviest items in the lowest drawers.

This is a permanent label.
Do not remove!