

artos[®]

F501-11

bar faucet

INSTALLATION GUIDE

BRUSHED NICKEL(BN)



CHROME(CH)



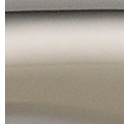
BLACK(BK)



SATIN BRASS (SB)



POLISHED NICKEL(PN)



artos[®]

F501-11

bar faucet

OPERATING SPECIFICATIONS



OPERATING FLOW RATE/PRESSURE

1.8 gpm max (6.8L/min) at 60 psi

OPERATING TEMPERATURE

Maximum: 176°

CARTRIDGE

ceramic disk cartridge

STANDARDS

Certified to CUPC

Certified to ABI953

Certified to NSF/ANSI 61

ADA for lever handle

HOLE DIMENSIONS

1-3/8"

REQUIREMENTS

Max Surface Thickness: 2-1/4"

APPROVALS

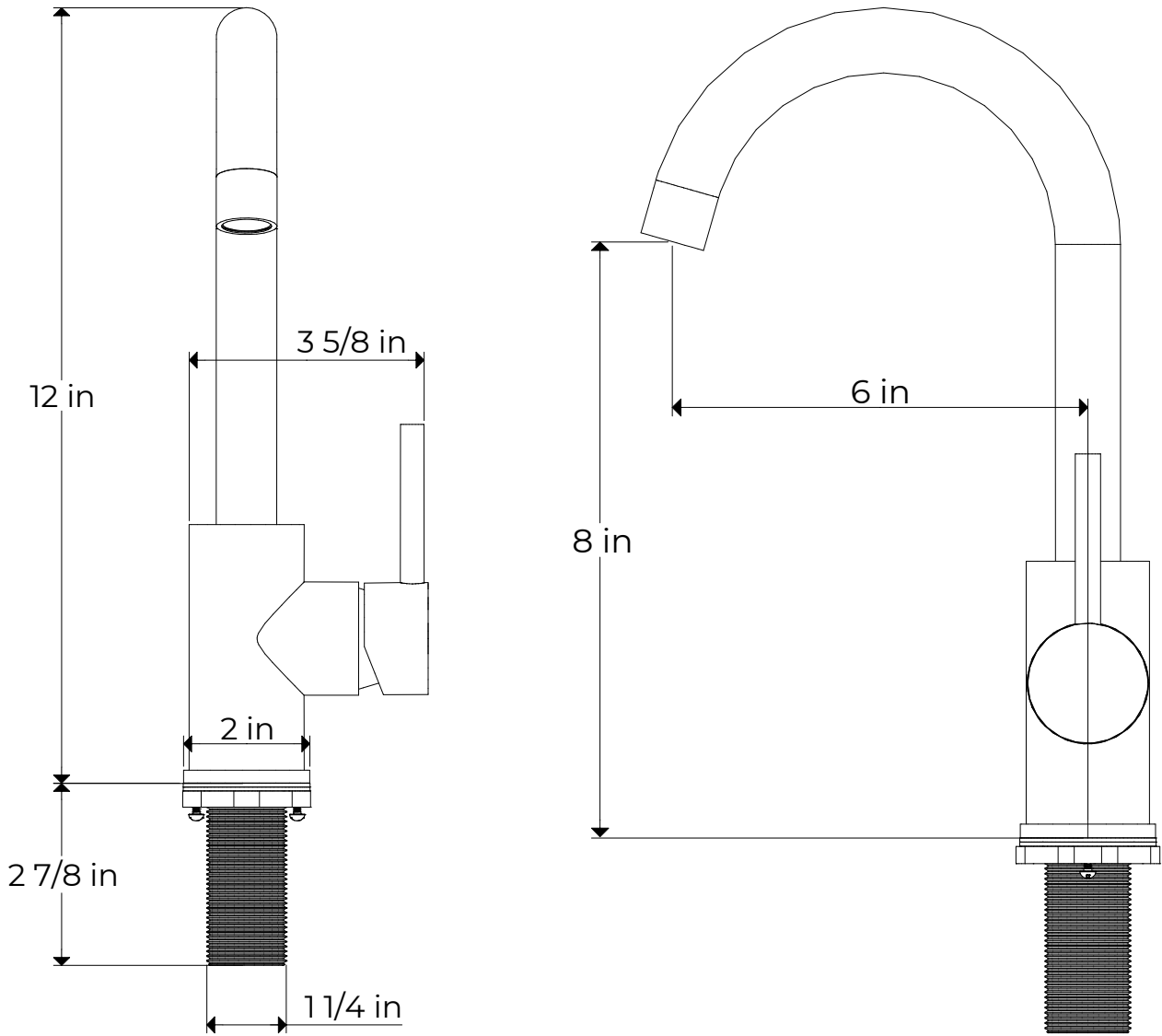


artos[®]

F501-11

bar faucet

PRODUCT DIMENSIONS



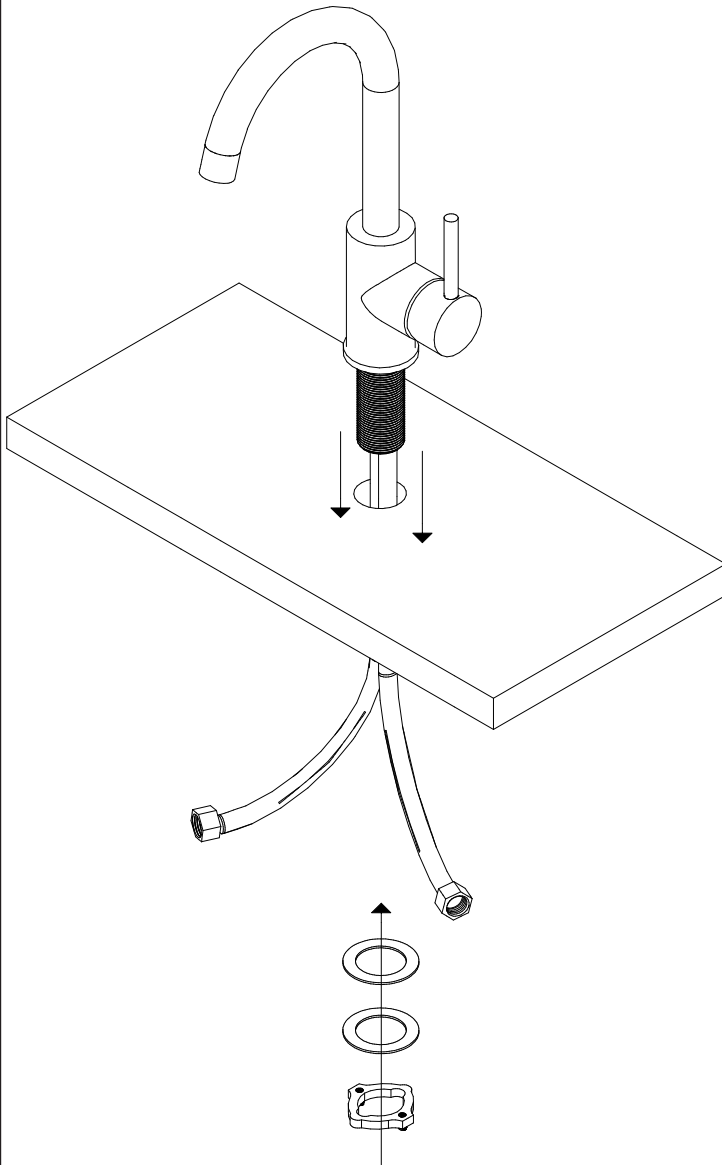
artos[®]

F501-11

bar faucet

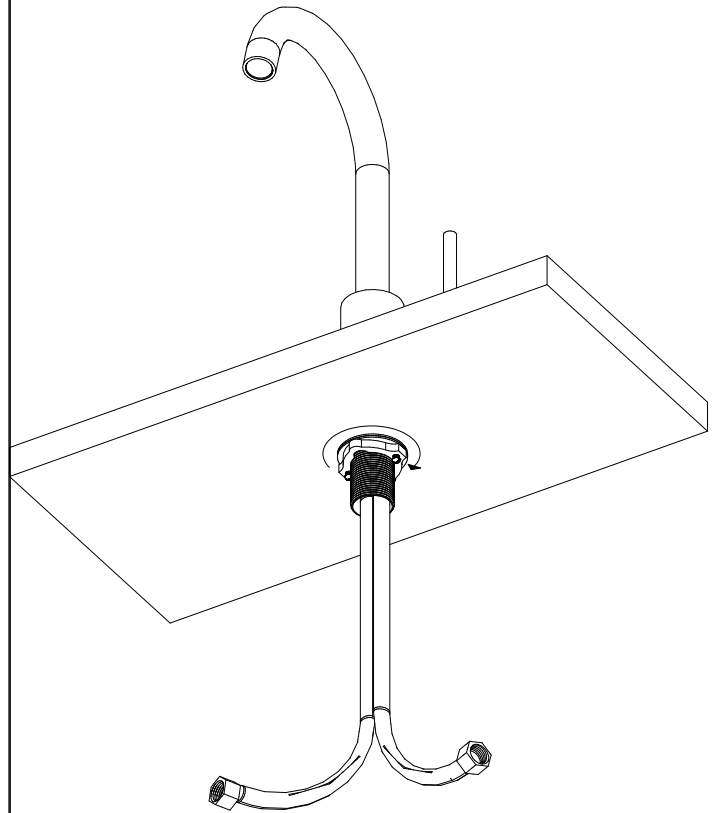
INSTALLATION STEPS

STEP 1



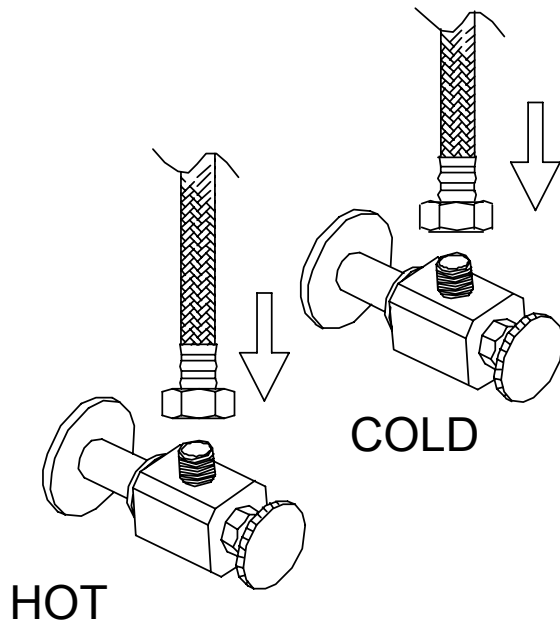
Install faucet through center hole, re-install rubber and metal washer followed by the lock-nut.

STEP 2



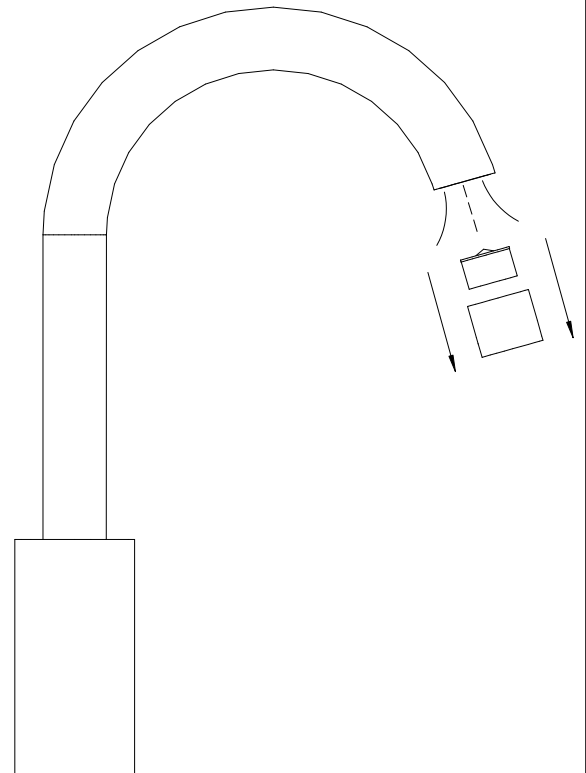
Secure the faucet, hand tighten the securing nut and use a screw driver to tighten the securing nut screws.

STEP 3



Connect the supply hoses to the hot and cold water supply.

STEP 4



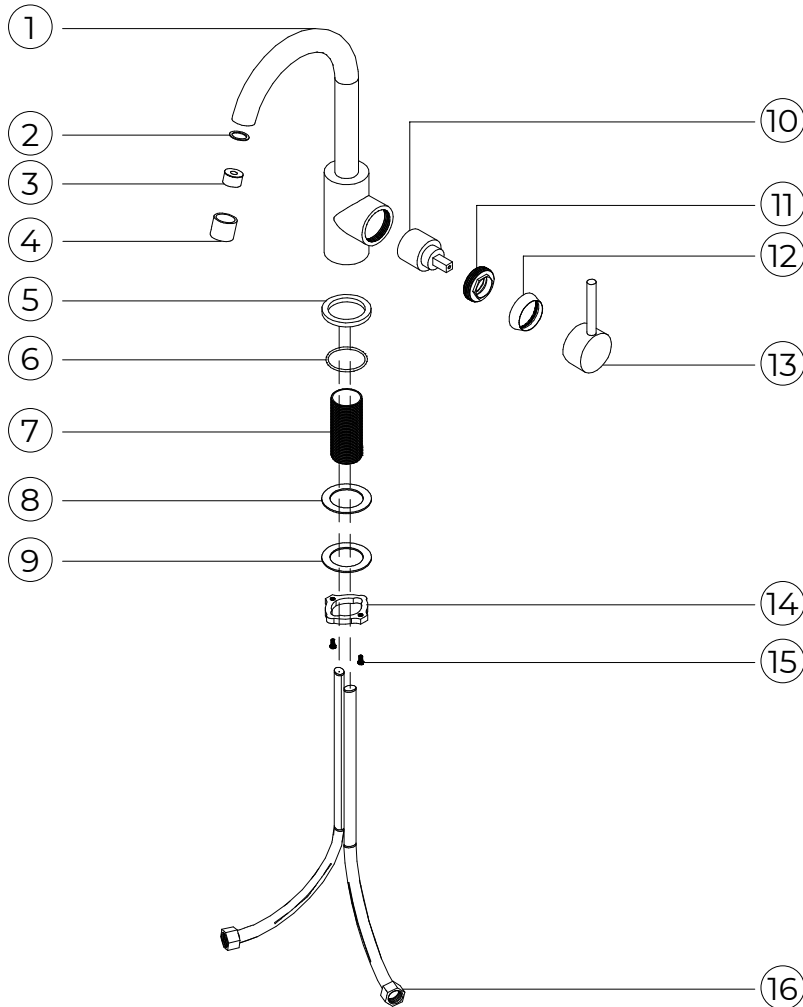
Remove the aerator securing nut and aerator. Turn on faucet for 1-2 minutes to flush out any debris from the supply lines.

artos[®]

F501-11

bar faucet

PARTS BREAKDOWN



- ① FAUCET BODY
- ② AERATOR WASHER
- ③ AERATOR
- ④ AERATOR SECURING NUT
- ⑤ FAUCET ESCUTCHEON
- ⑥ FAUCET ESCUTCHEON O-RING
- ⑦ FAUCET SHANK
- ⑧ RUBBER WASHER
- ⑨ METAL WASHER
- ⑩ CARTRIDGE
- ⑪ CARTRIDGE SECURING NUT
- ⑫ DRESS RING
- ⑬ HANDLE
- ⑭ SECURING NUT
- ⑮ SECURING NUT SCREWS (2)
- ⑯ SUPPLY HOSES (2)