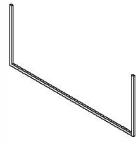


# Dining table



A: 2PCS



B: 2PCS



C: 1PCS



D: M6\*55\*8PCS



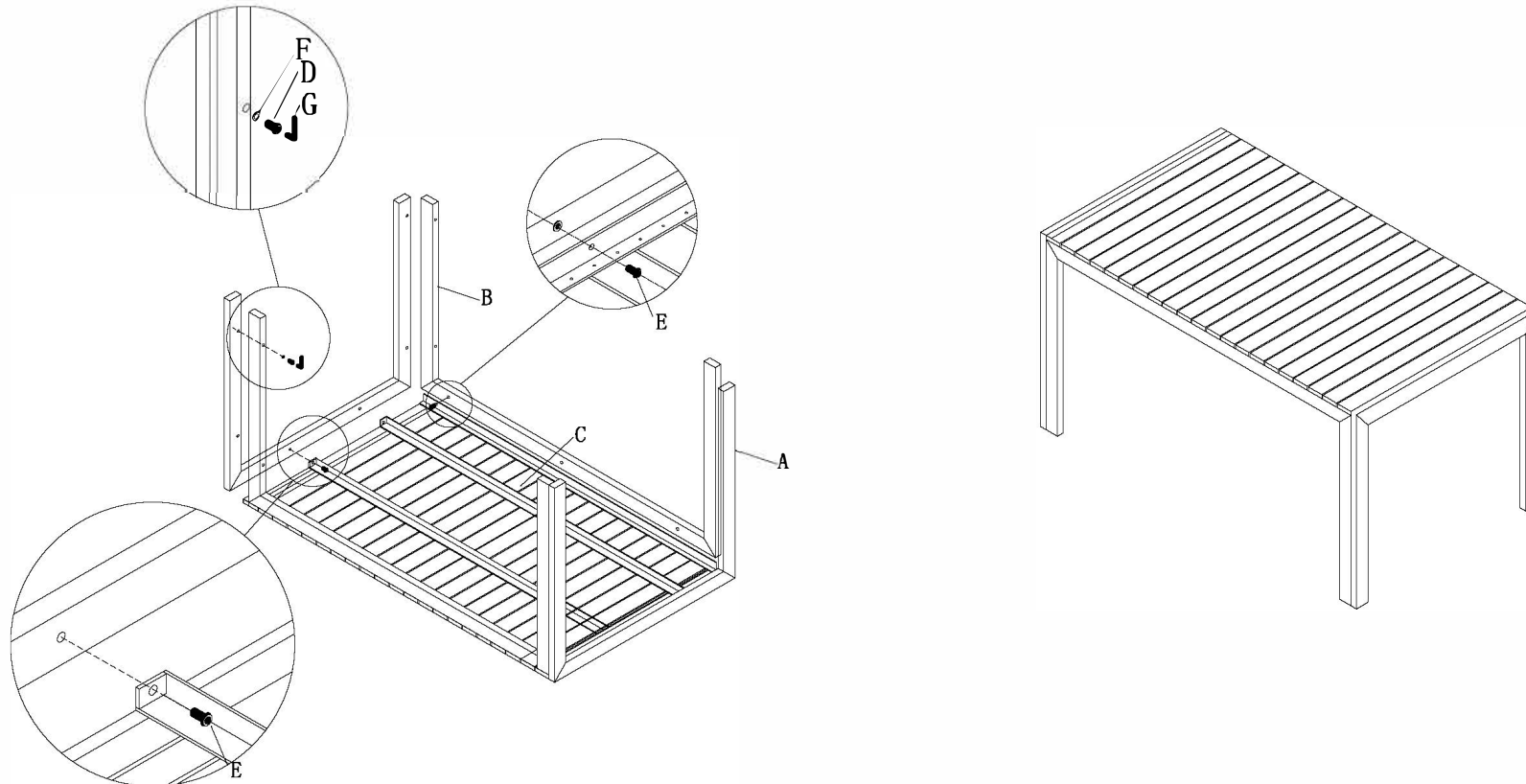
E: M6\*15\*12PCS



F:  $\phi 16 * \phi 6.5 * 1.0 * 8$ PCS



G: 4MM\*1PCS

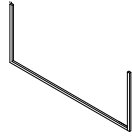


Please assemble all components firstly, then tightly fix all screws.

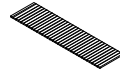
bench



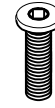
A: 2PCS



B: 2PCS



C: 1PCS



D: M6\*55\*8PCS



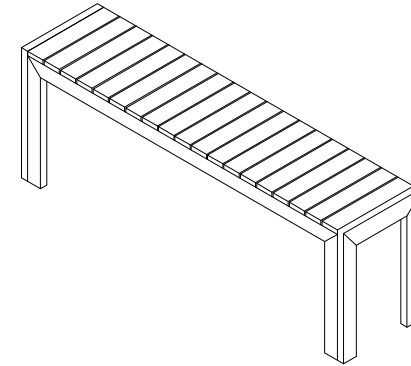
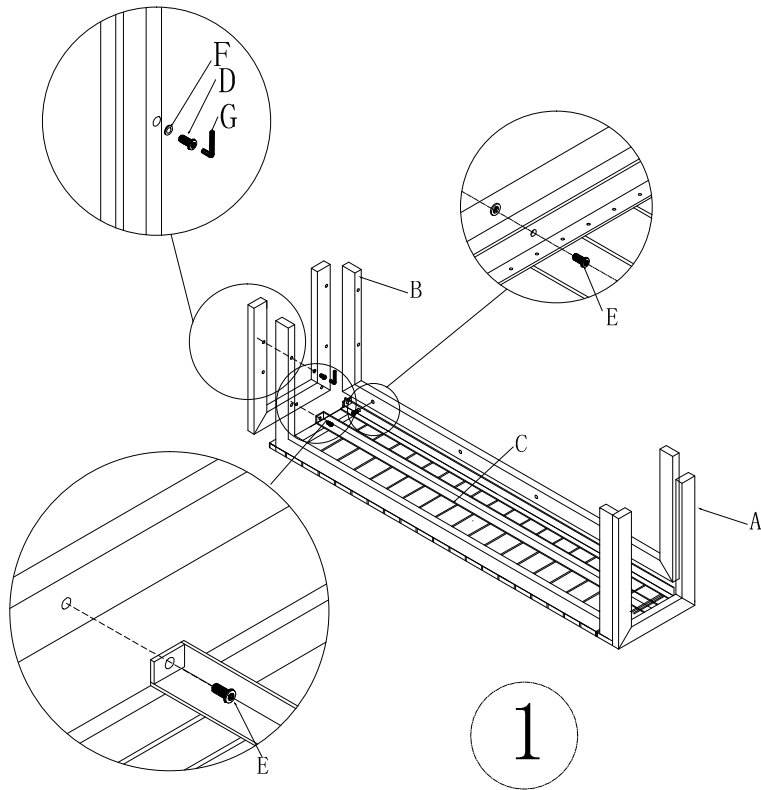
E: M6\*15\*10PCS



F:  $\phi 16 * \phi 6.5 * 1.0 * 8$ PCS



G: 4MM\*1PCS



Please assemble all components firstly, then tightly fix all screws.