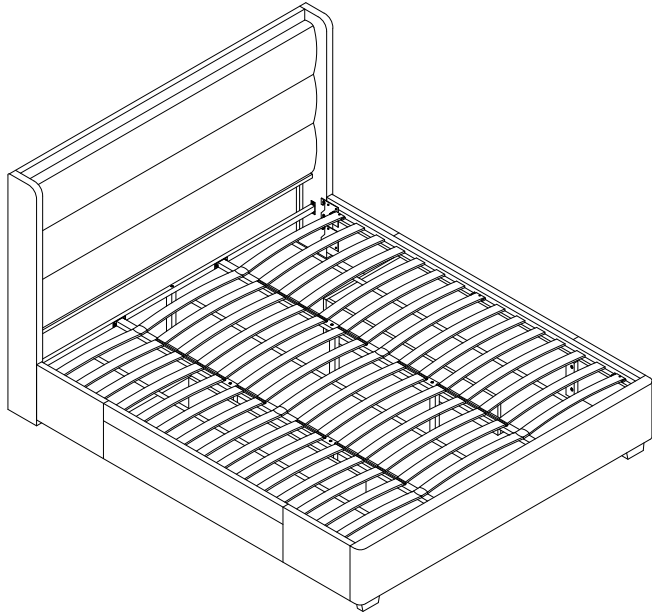


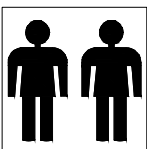
# ASSEMBLY INSTRUCTION



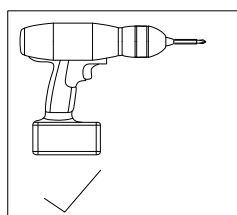
Please **TEAR OFF** this shrink film from side!  
**DO NOT USE CUTTER!**

## IMPORTANT NOTE

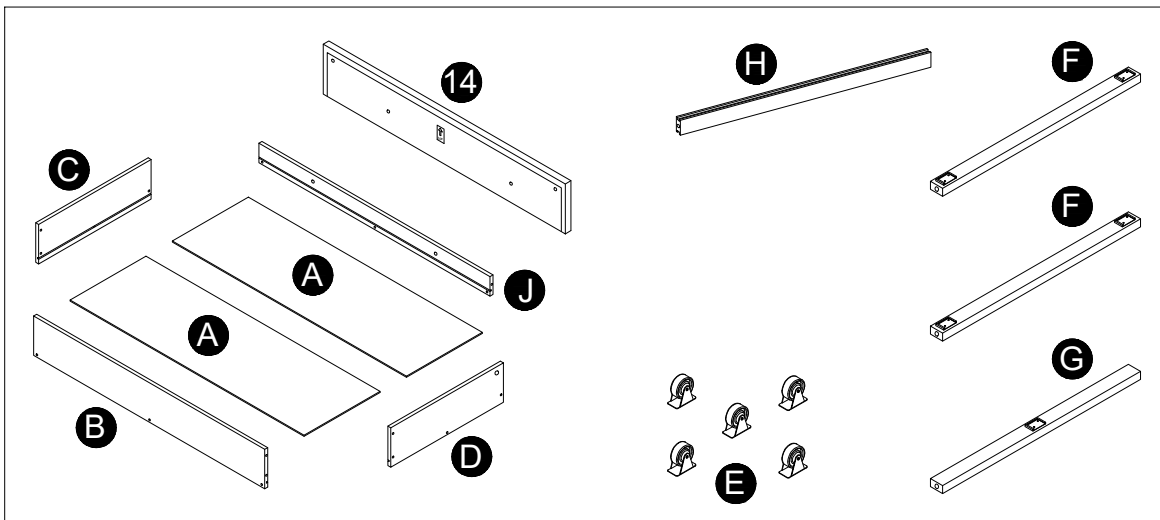
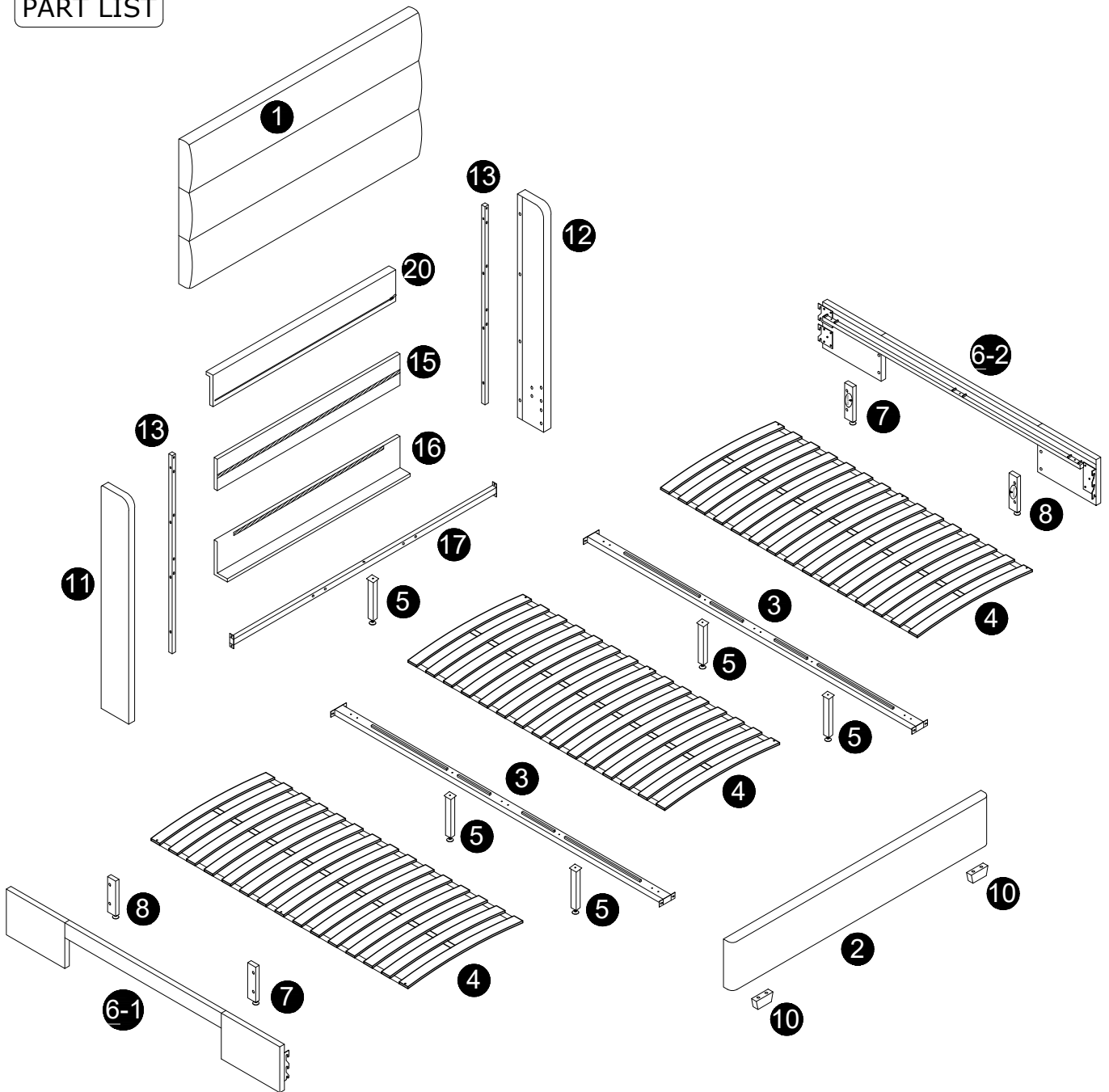
1. For the protection of your furniture, place all parts on a clean and smooth surface to prevent any damage.
2. Keep fittings out of children's reach and keep children well away from construction area.
3. When moving your assembled bed, it is best to lift the bed and never to drag it.
4. Do not use this product if parts are missing, damaged or worn.
5. This product should only be used on firm, level ground.
6. Please periodically check all fittings and re-tighten as necessary.
7. Do not use the bed unless all bolts and screws are firmly secured.



Minimum two  
person assembly



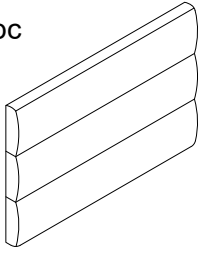
PART LIST



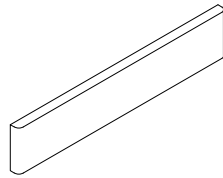
x2

**PART LIST**

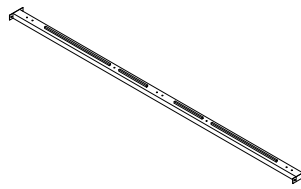
**1** x 1pc



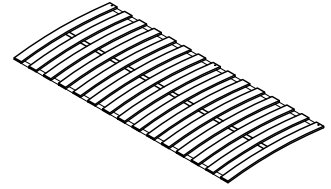
**2** x 1pc



**3** x 2pcs



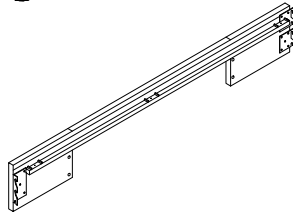
**4** x 3pcs



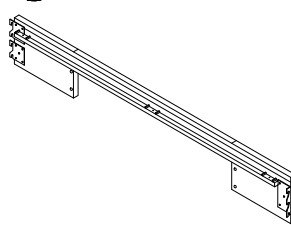
**5** x 5pcs



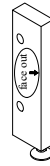
**6-1** x 1pc



**6-2** x 1pc



**7** x 2pcs



**8** x 2pcs



**10** x 2pcs



**11** x 1pc



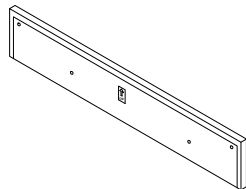
**12** x 1pc



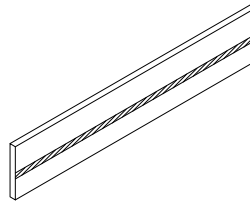
**13** x 2pcs



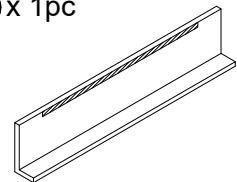
**14** x 2pcs



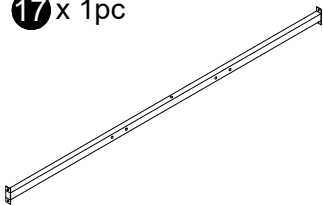
**15** x 1pc



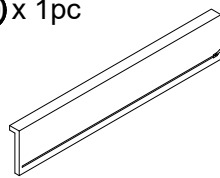
**16** x 1pc



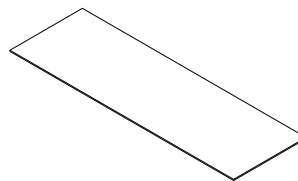
**17** x 1pc



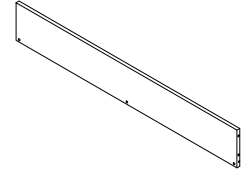
**20** x 1pc



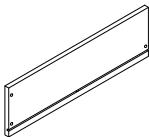
**A** x 4pcs



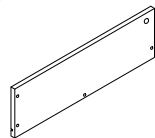
**B** x 2pcs



**C** x 2pcs



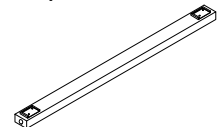
**D** x 2pcs



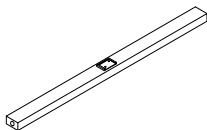
**E** x 10pcs



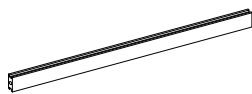
**F** x 4pcs



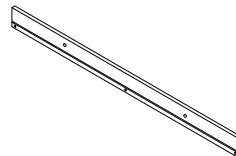
**G** x 2pcs



**H** x 2pcs


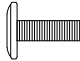





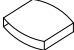
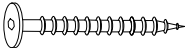





**J** x 2pcs

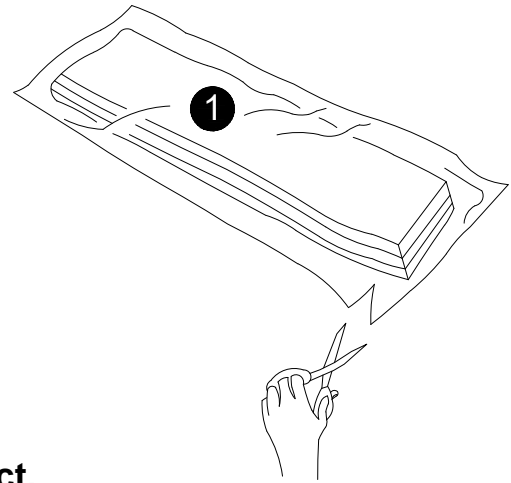
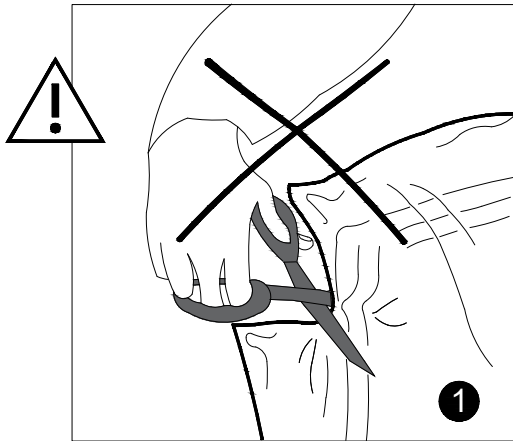


**Please ensure to thoroughly inspect the small inner cardboard box containing the hardware, which are tied with a red string, before disposing of the box.**

**HARDWARE LIST**

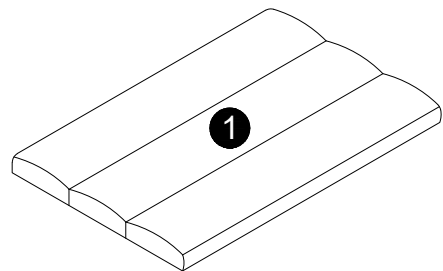
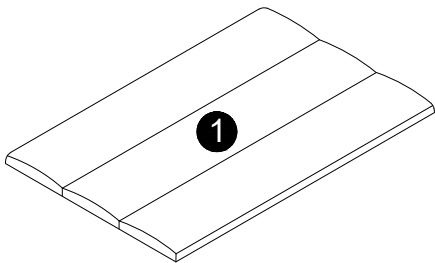
 <p><b>H1</b> M5 x 1pc</p>	 <p><b>H2</b> M8x30mm x 30pcs</p>	 <p><b>H3</b> M8x60mm x 8pcs</p>	 <p><b>H4</b> M8x50mm x 27pcs</p>
 <p><b>H5</b> M8 x 8pcs</p>	 <p><b>H6</b> M8x22mm x 34pcs</p>	 <p><b>H8</b> x 6pcs</p>	 <p><b>H9</b> x 6pcs</p>
 <p><b>H10</b> 6x45mm Screws x 28pcs</p>	 <p><b>H11</b> M4 Allen key x 1pc</p>	 <p><b>H12</b> x 4pcs</p>	 <p><b>H13</b> x 4pcs</p>

**1**



**Open the vacuum-sealed bag, and be careful not to damage the product.**

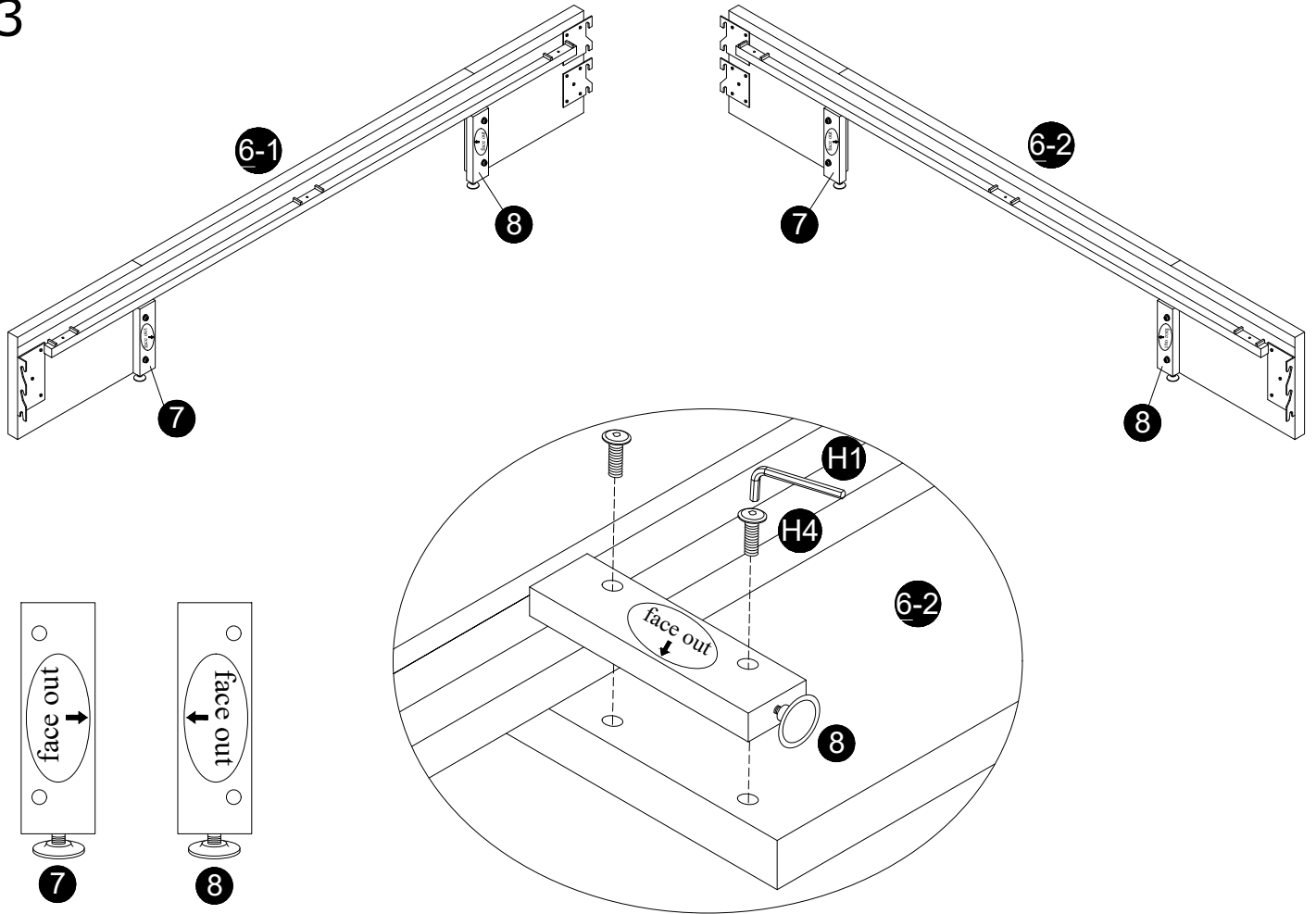
**2**



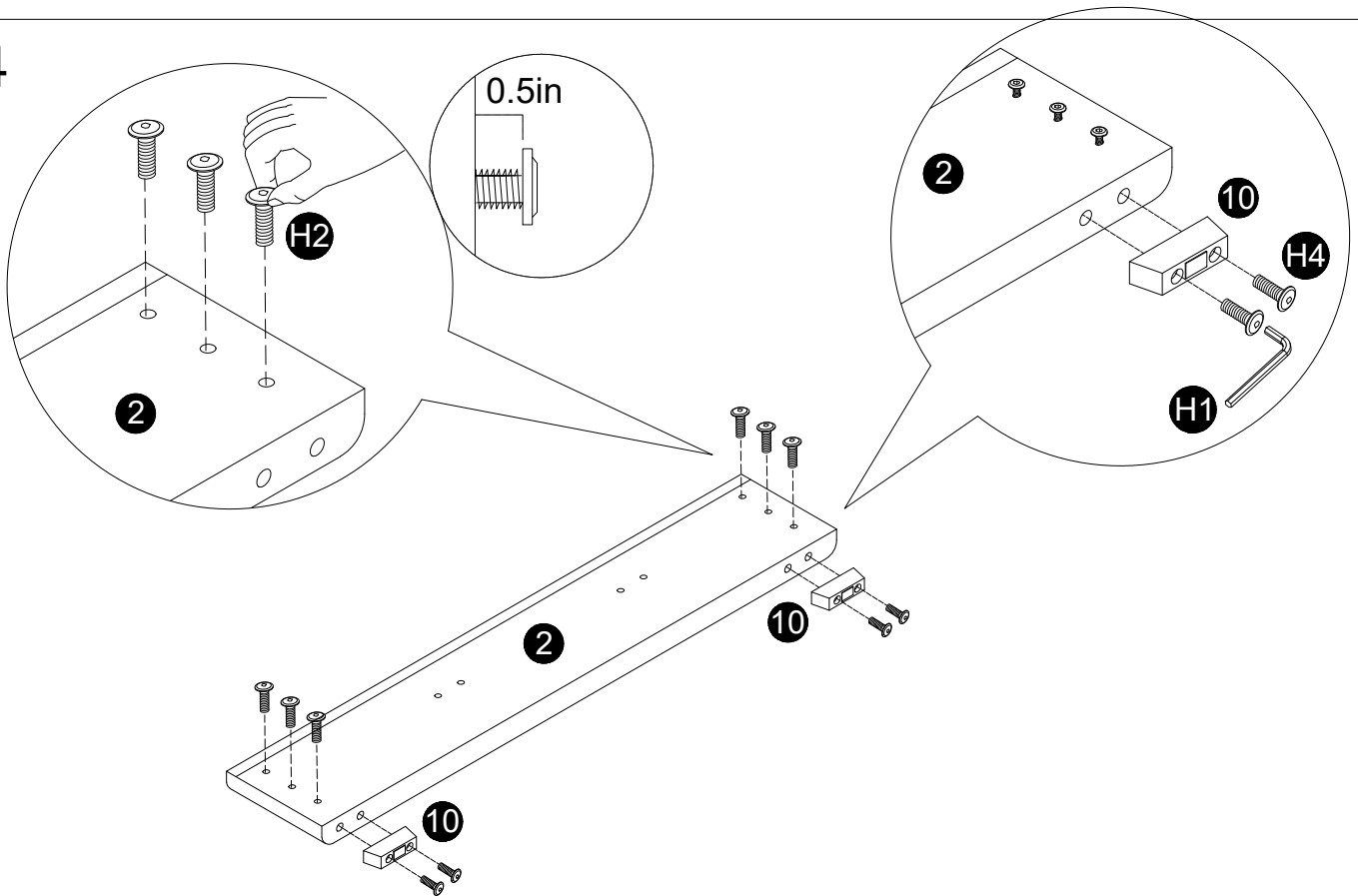
Let the expand and become fluffy

**48h**

3

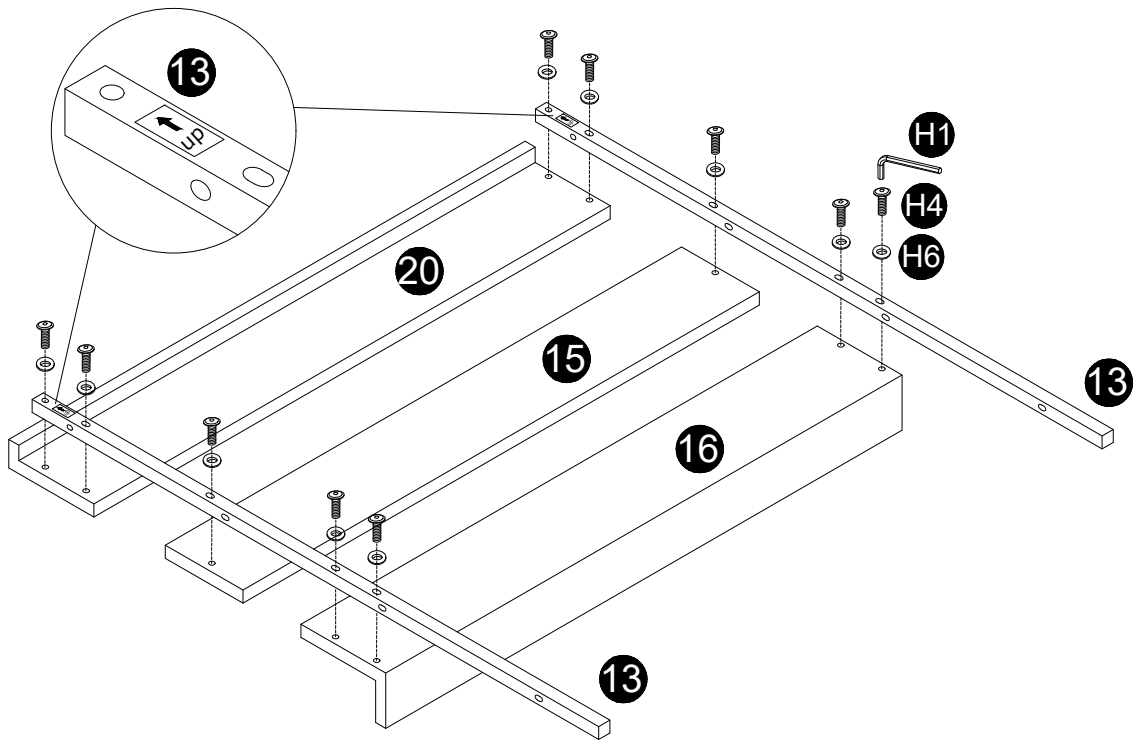


4

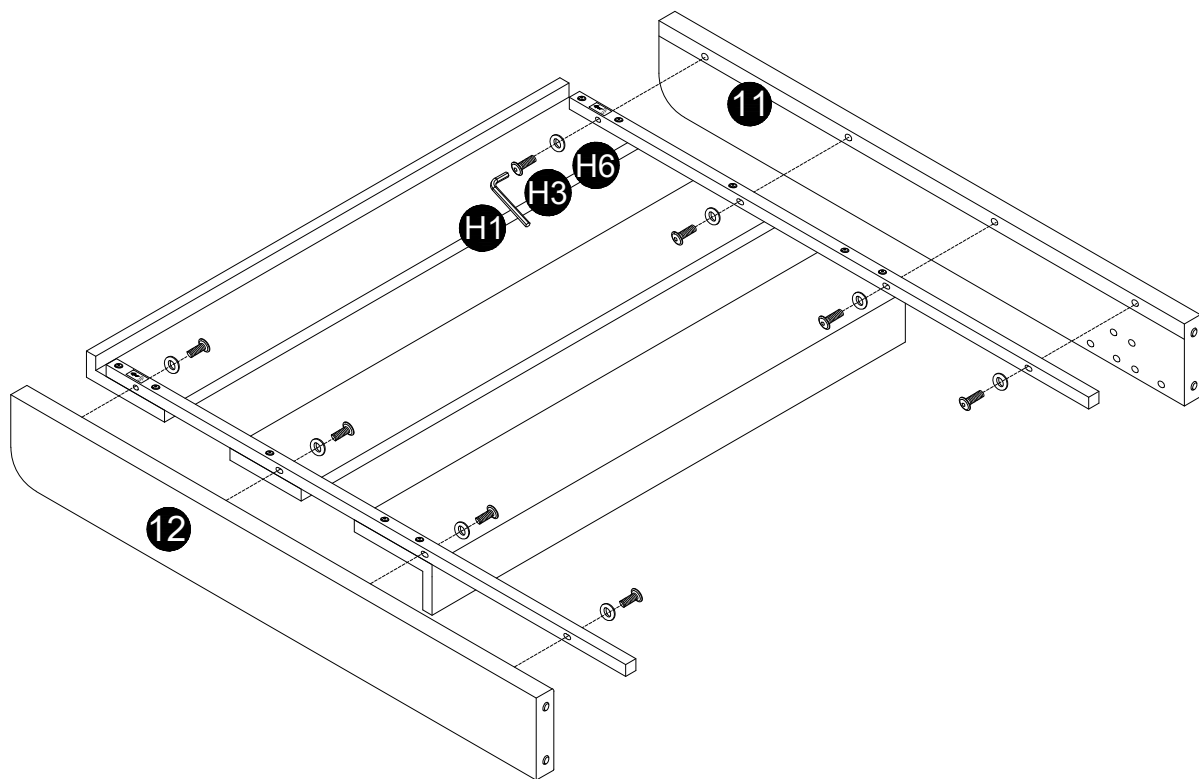


5

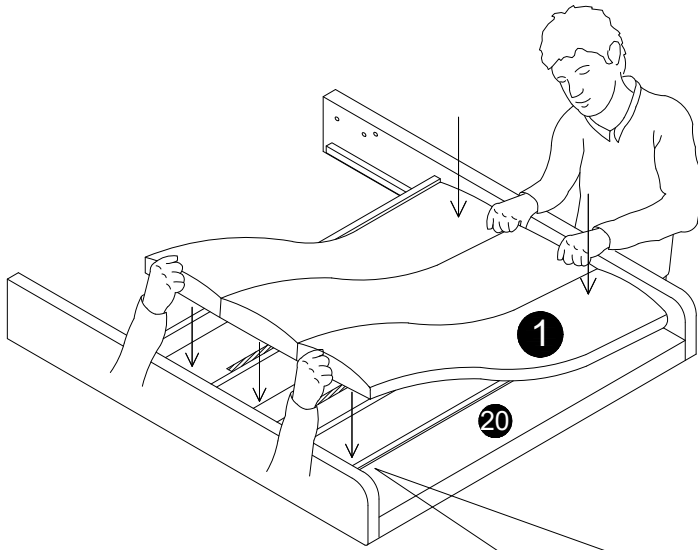
- 5** As shown in the diagram, align the screws with the corresponding holes and pre-fix them. Then, tighten each screw separately.



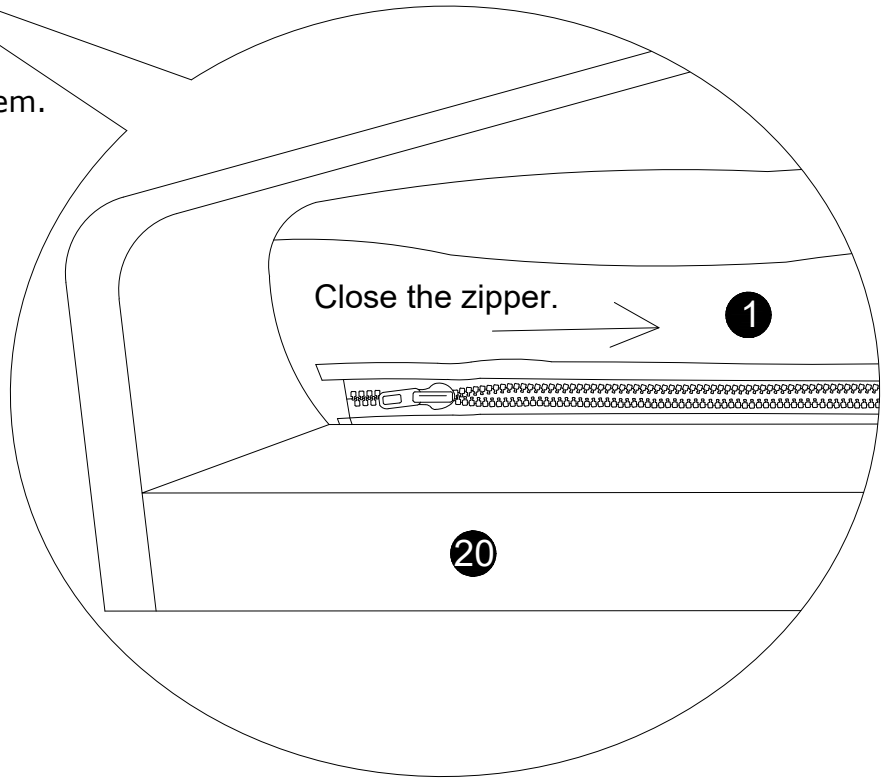
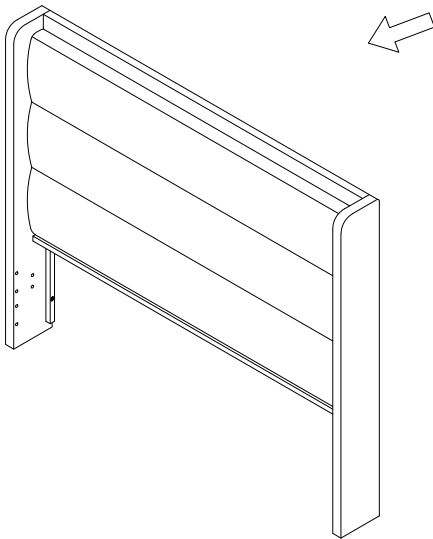
- 6** As shown in the diagram, align the screws with the corresponding holes and pre-fix them. Then, tighten each screw separately.



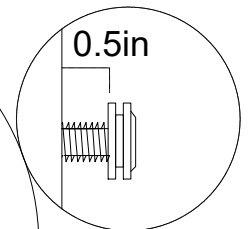
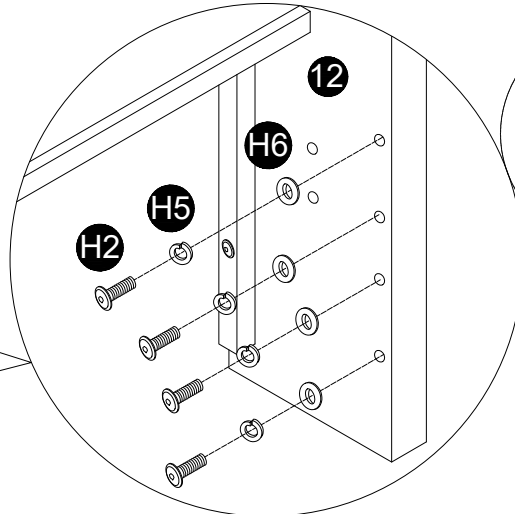
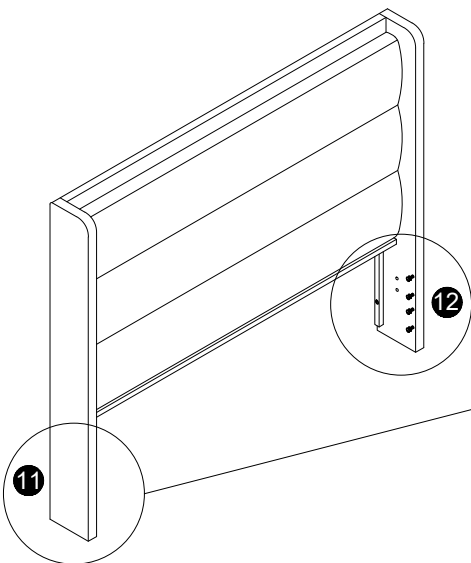
7



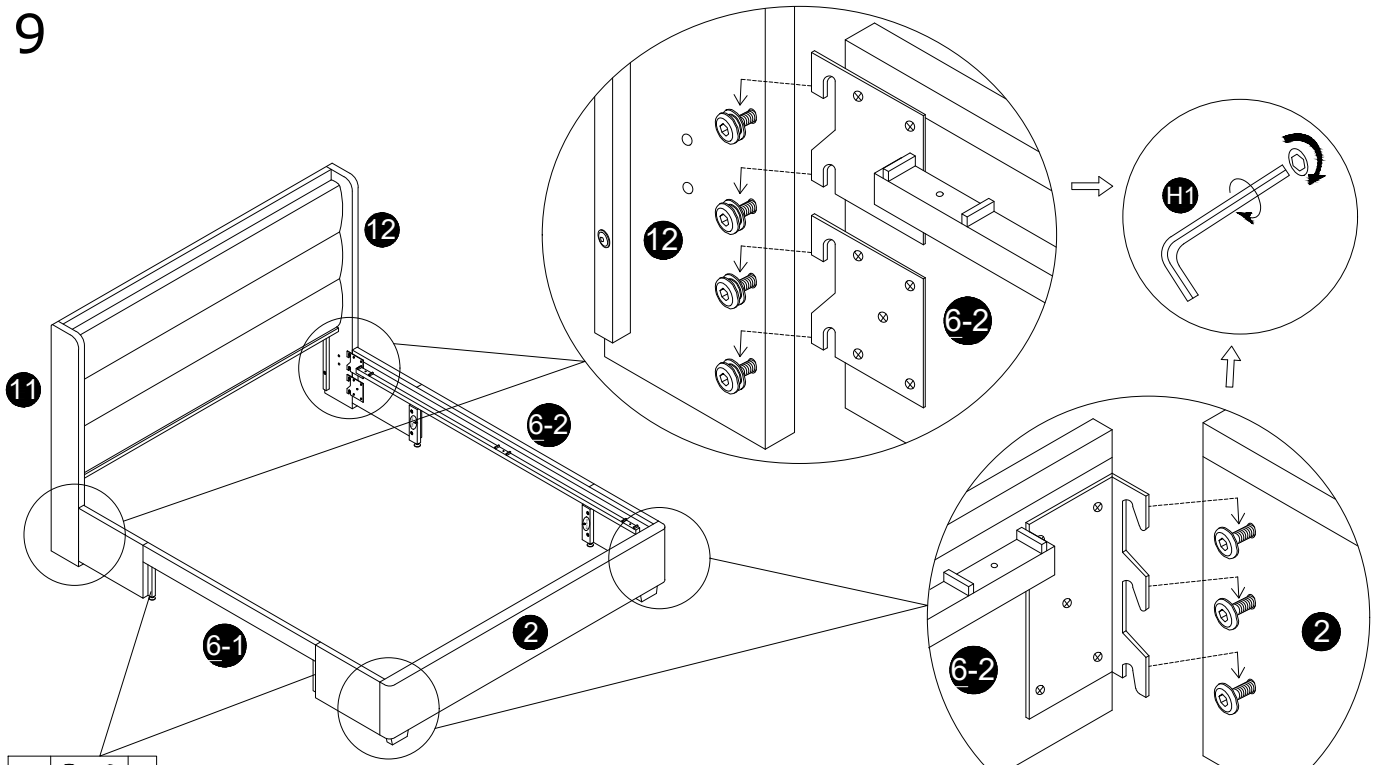
Pull tight on both sides and flatten them.



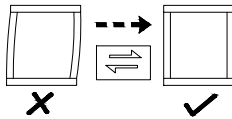
8



9

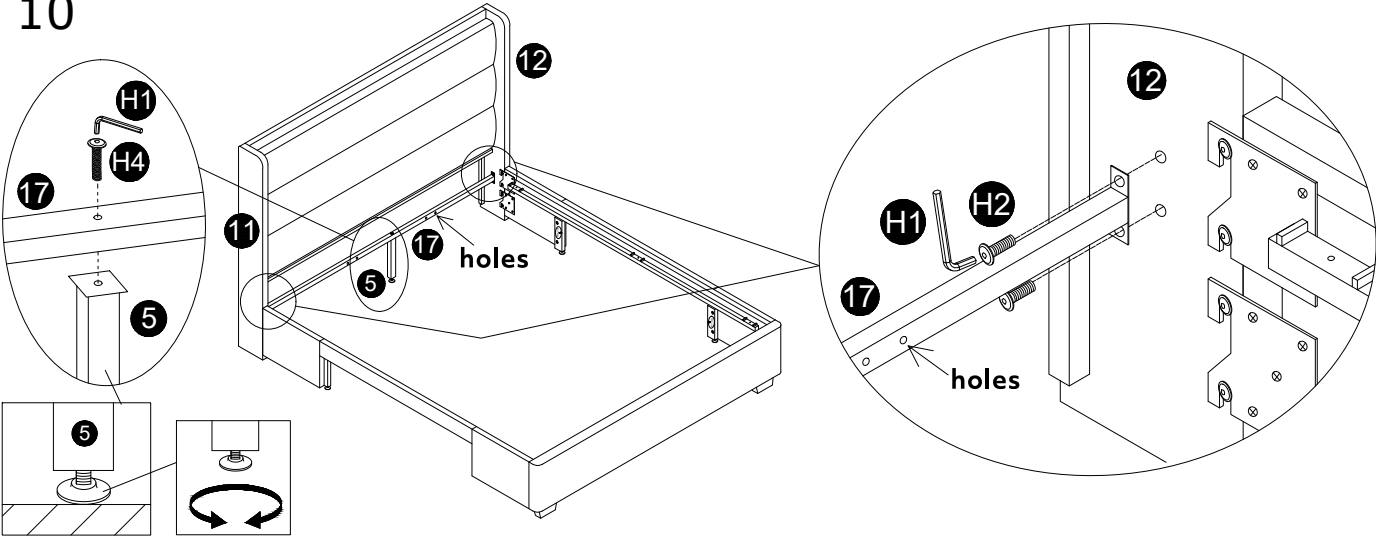


Level with the ground.



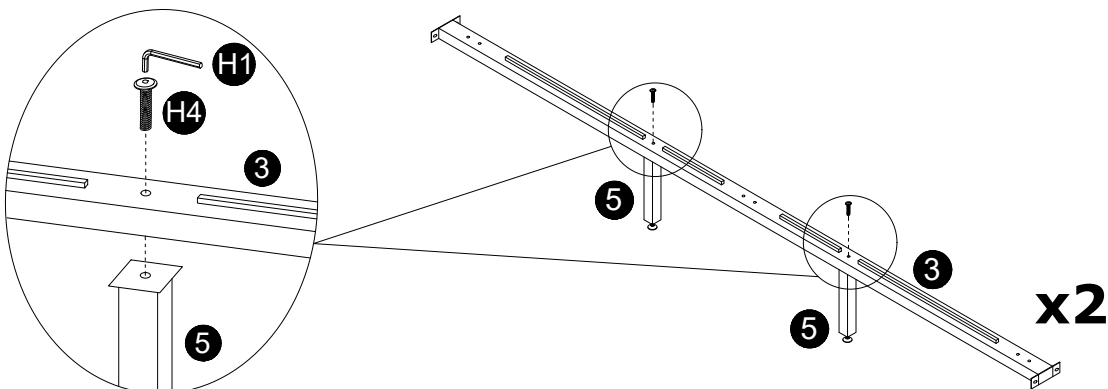
Make certain the bed is squared up as shown in the diagram then tighten all bed assembly bolts 100%.

10

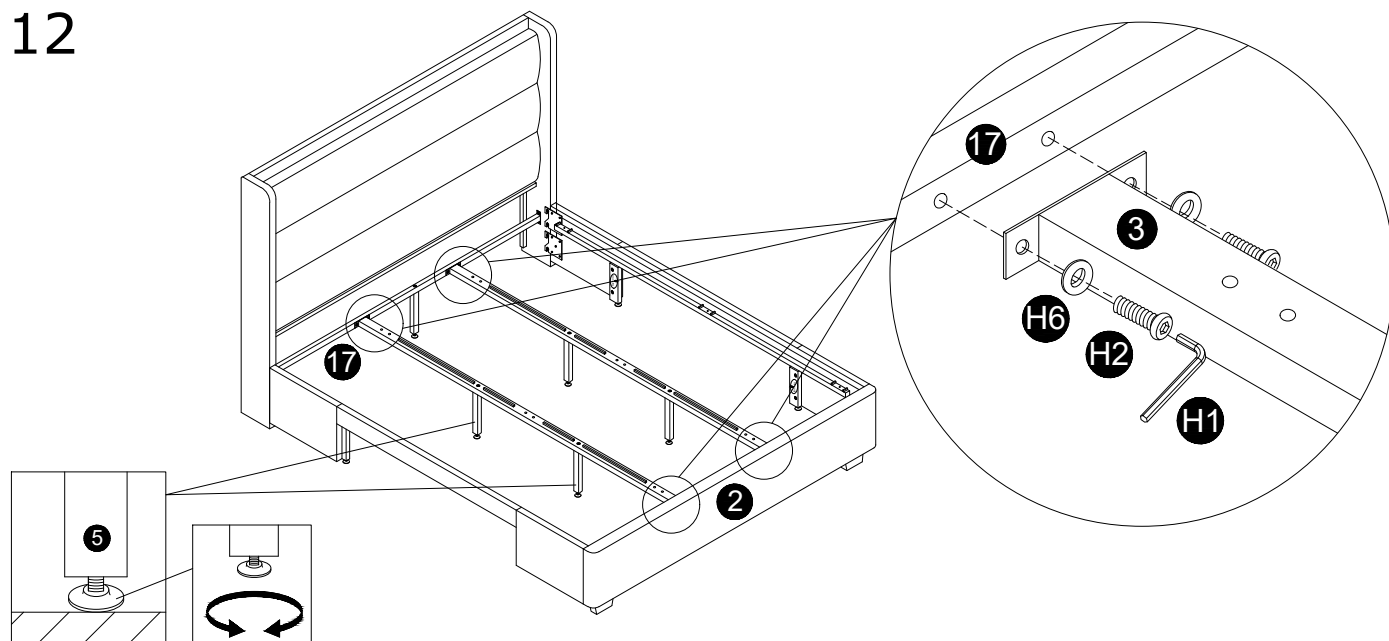


Level with the ground.

11

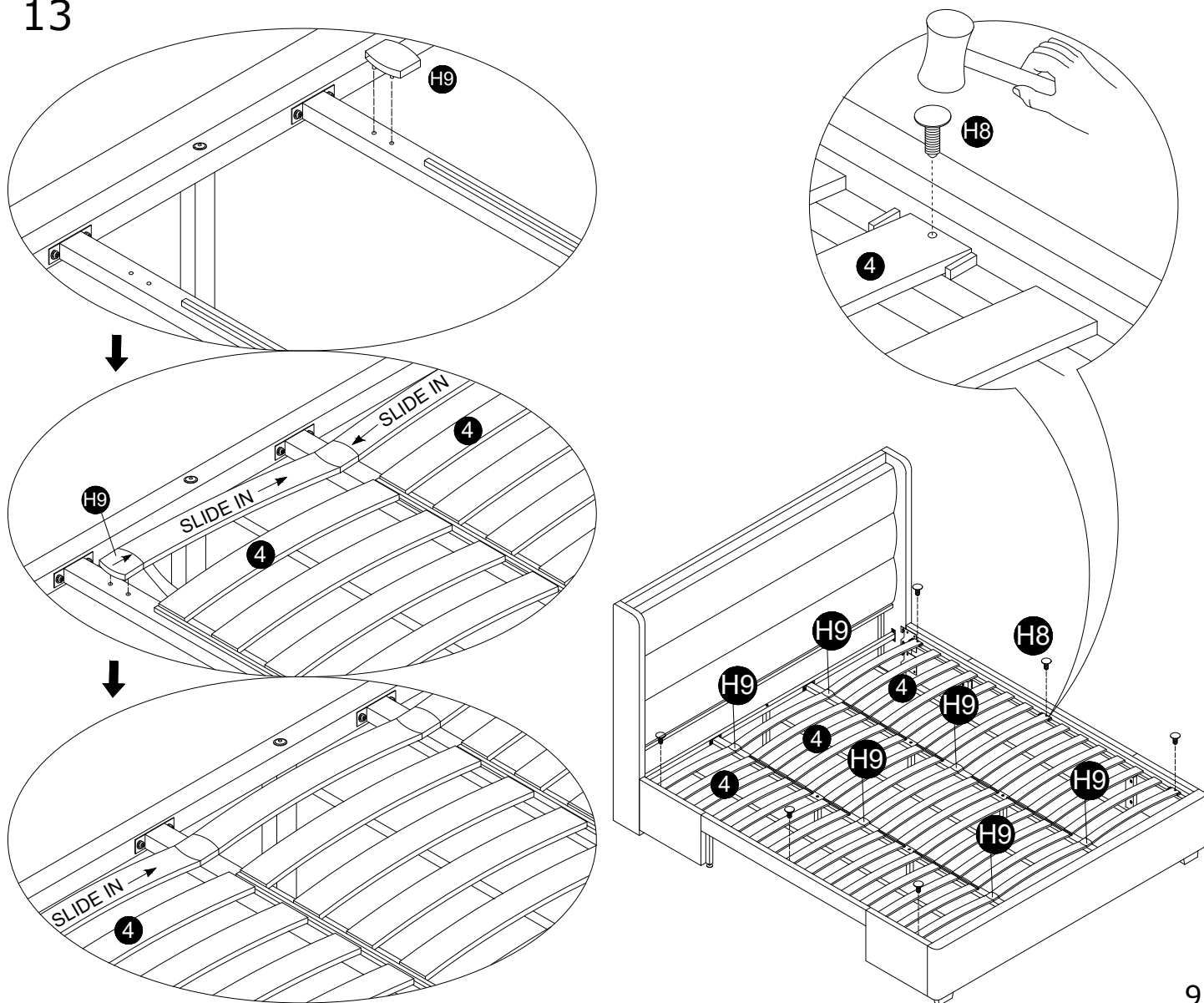


12



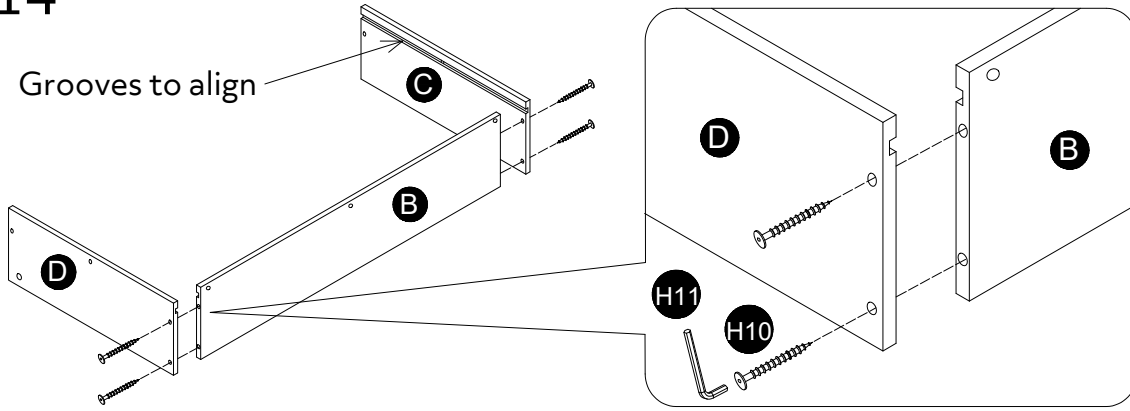
Level with the ground.

13



14

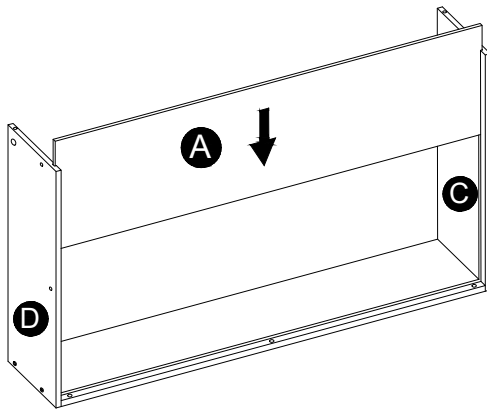
Grooves to align



x2

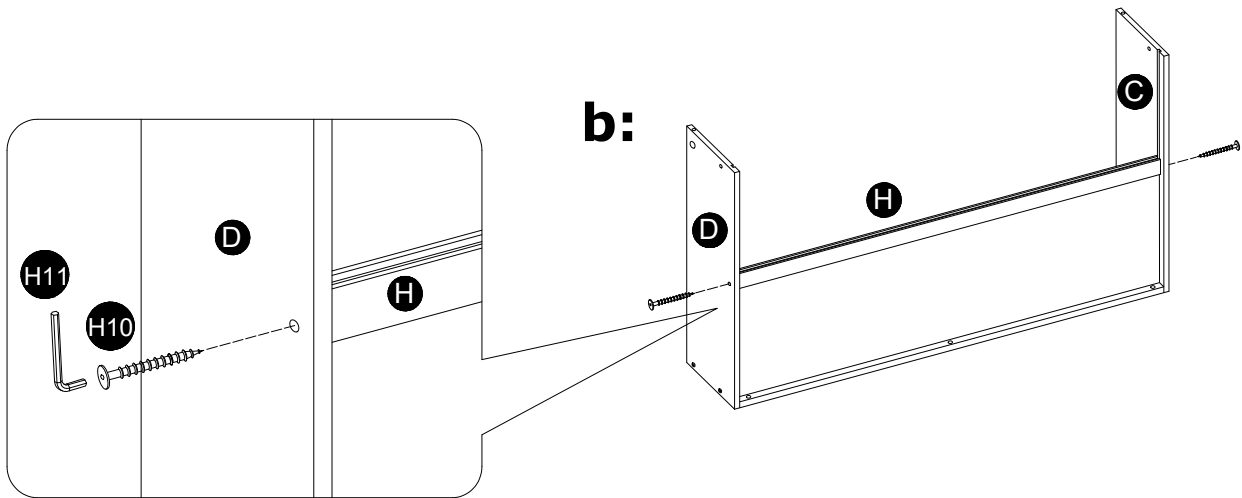
15

a:

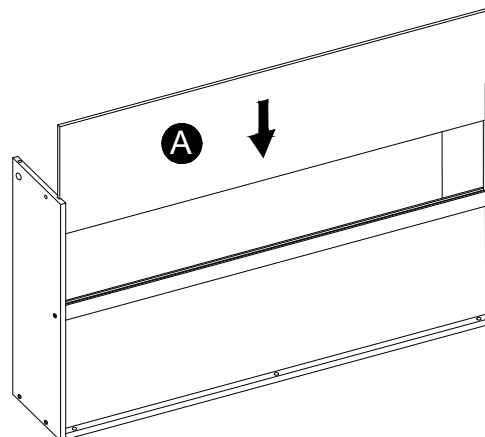


x2

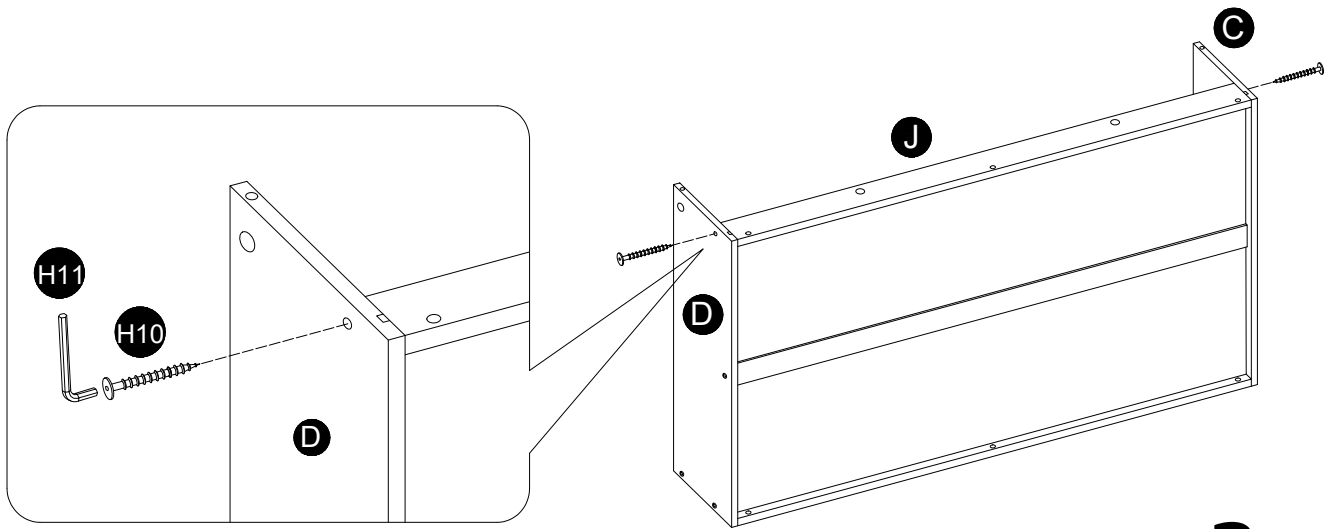
b:



c:

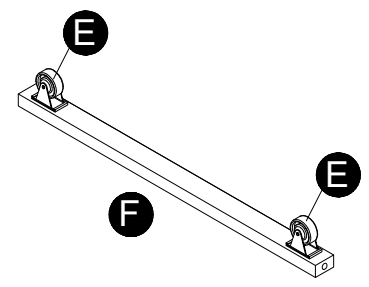
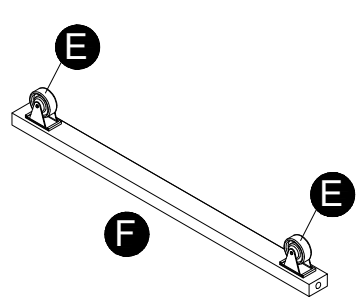


16

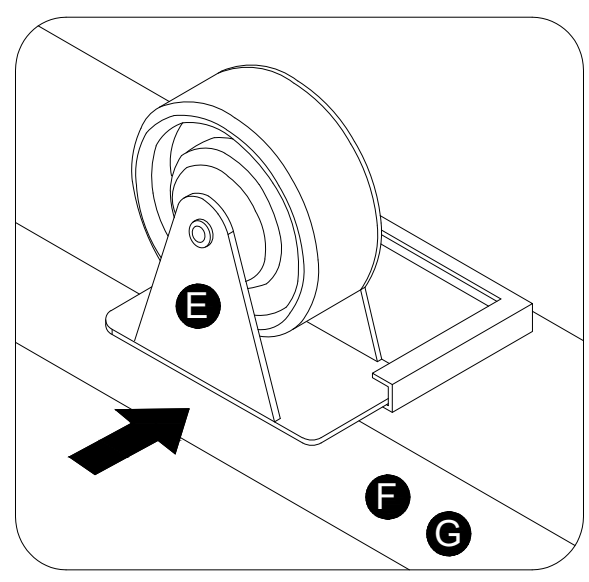
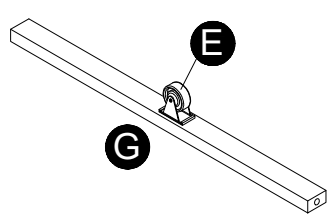


x2

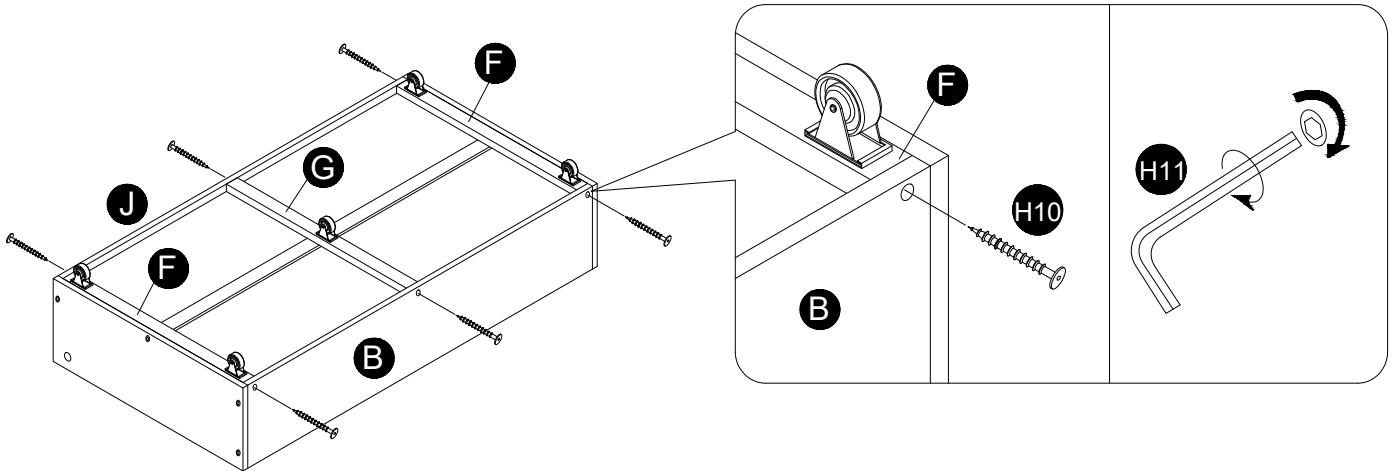
17



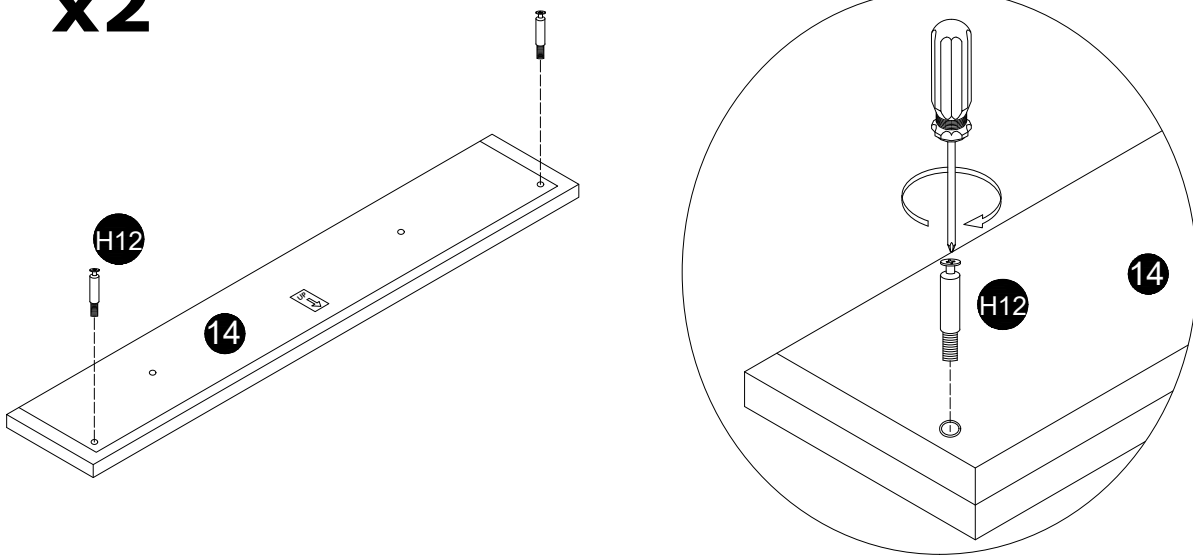
x2



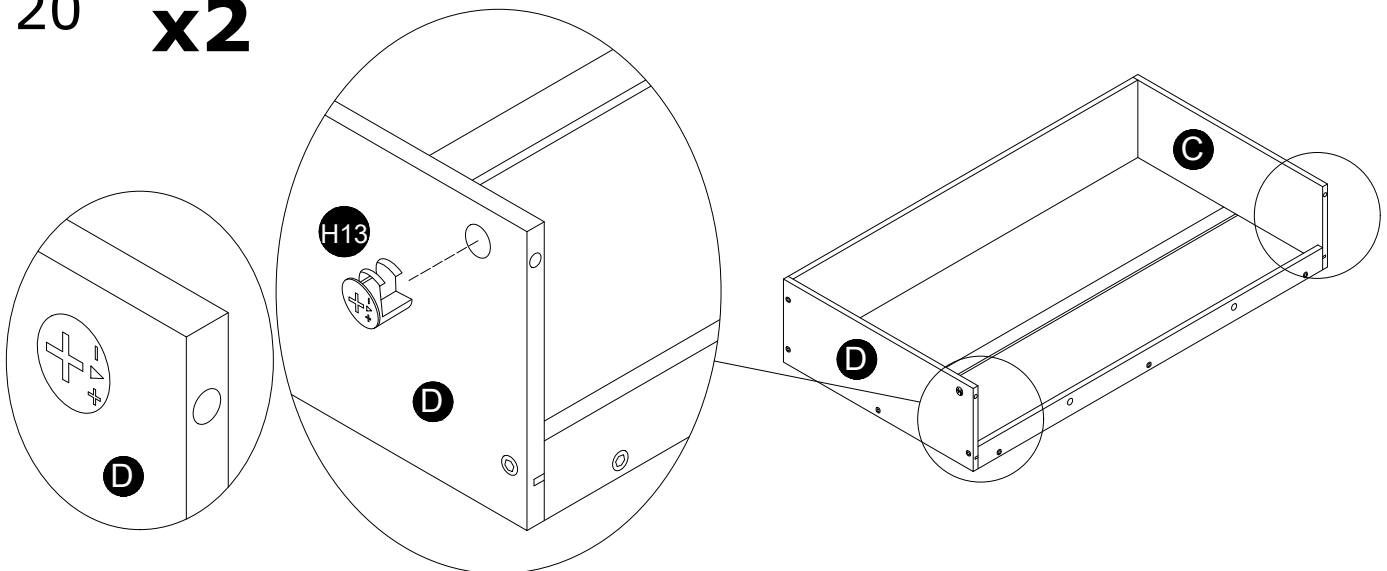
18 **x2**



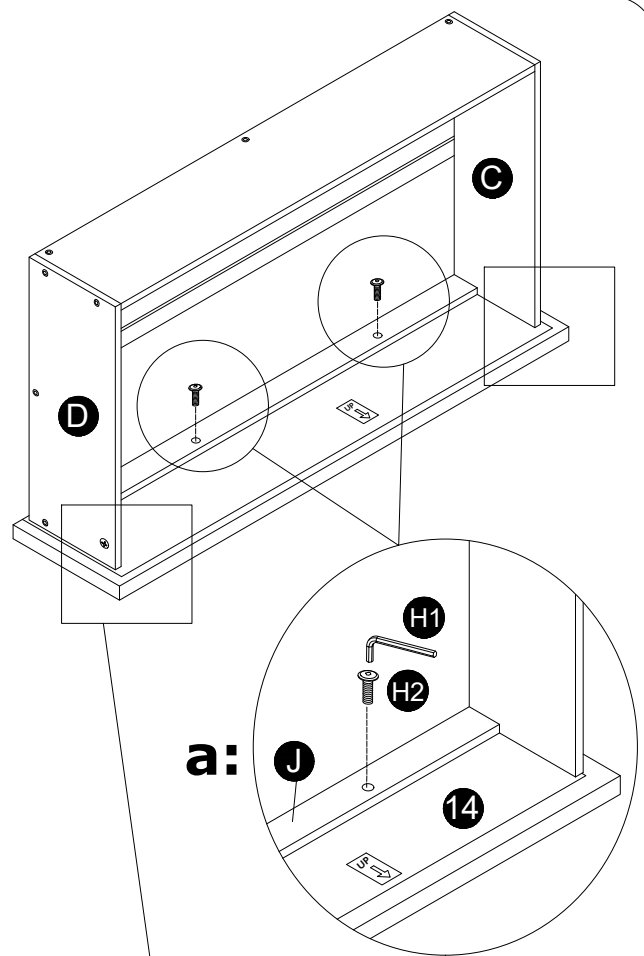
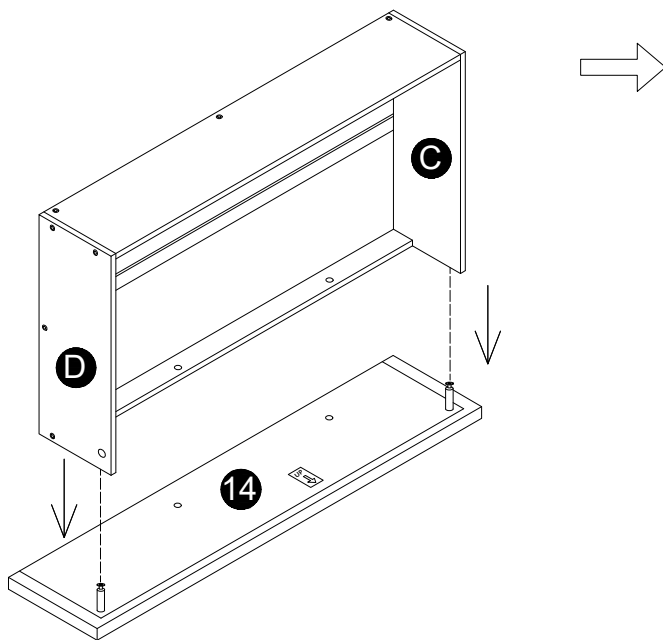
19 **x2**



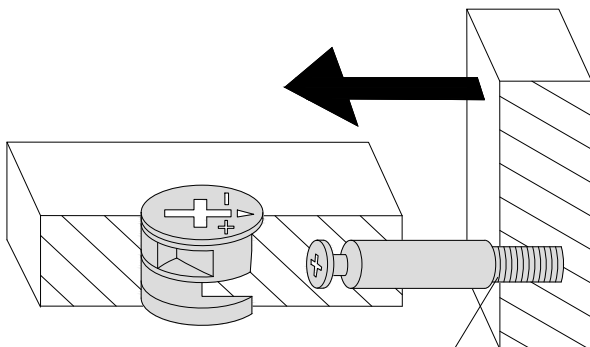
20 **x2**



21 **x2**

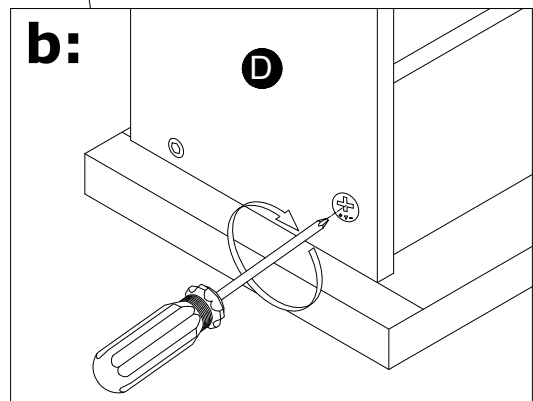
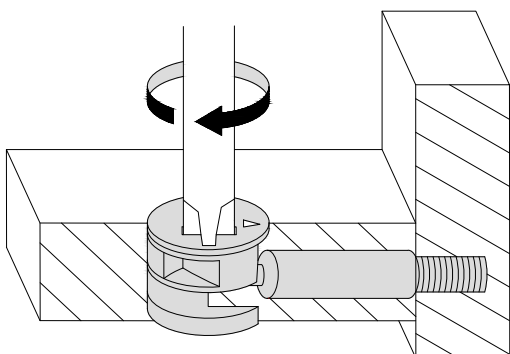


PUSH THE TWO PANELS TOGETHER ALLOWING THE DOWEL TO ALIGN WITH THE HOLE

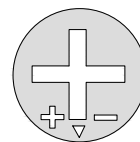


If H12 cannot lock into H13, you can adjust H12 outward by 2mm.

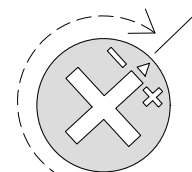
TURN THE CAM IN A CLOCKWISE DIRECTION



**DON'T STOP UNTIL THE 2 O'CLOCK LOCK**  
TURN THE CAM IN A CLOCKWISE DIRECTION UNTIL THE ARROW POINTS IN THE POSITIONS SHOWN IN THE DIAGRAMS BELOW



OPEN



LOCKED

**Job Complete !**

*In the interest of our environment please dispose of all packaging thoughtfully.*