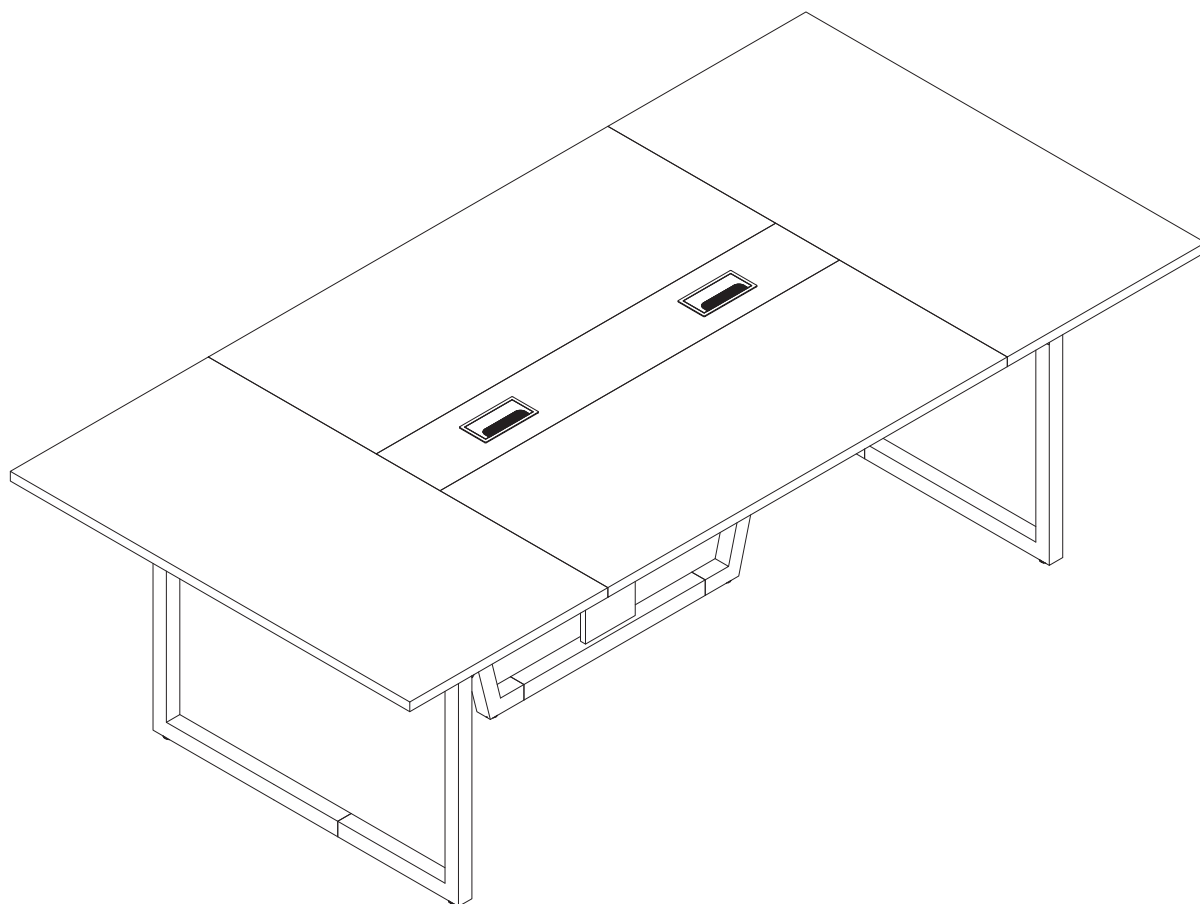


Assembly Instructions

Conference Table



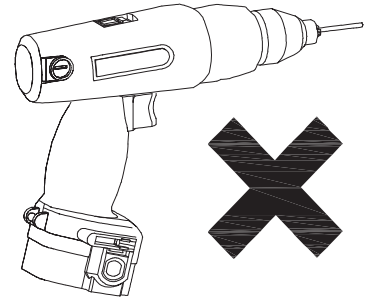
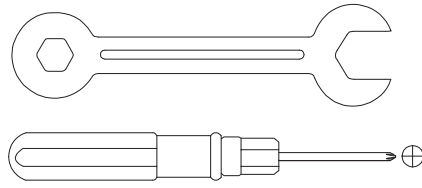
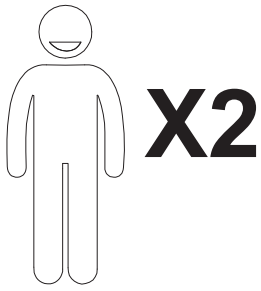
Contact Us

We're here to help you.

Your satisfaction is our top priority. If you encounter any issues with this product, such as missing or damaged parts, we're here to help. Please retain the original packaging and take photos of the packaging and the product, then contact us as soon as possible.

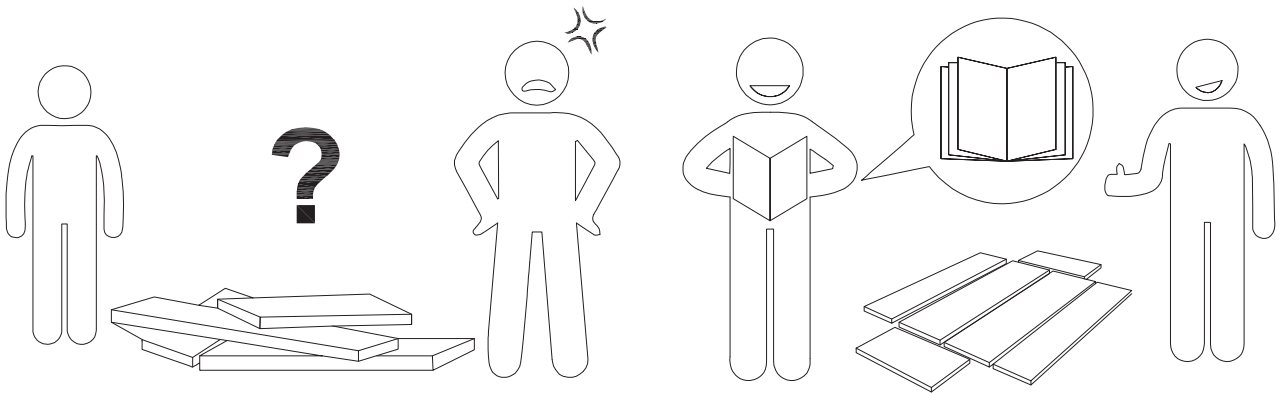
Warm Tips

1. Carefully read these instructions and keep them for future reference.
2. Check the parts list and confirm everything's there before starting assembly.
3. When assembling, put all parts on a soft, smooth surface like a carpet to avoid scratches.
4. Don't fully tighten screws until all parts are confirmed in place to avoid misalignment.



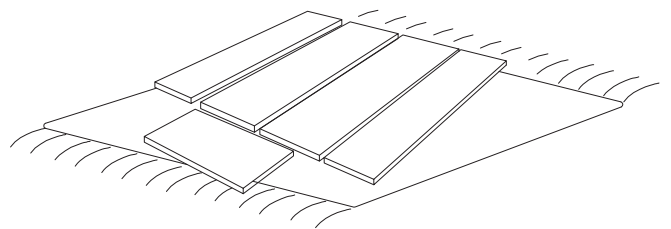
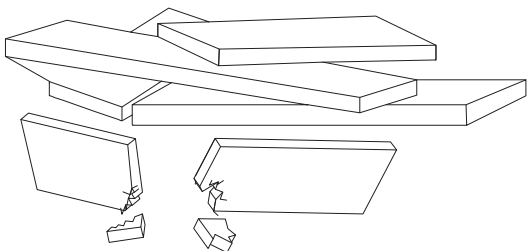
We recommend using hand tools for assembly.

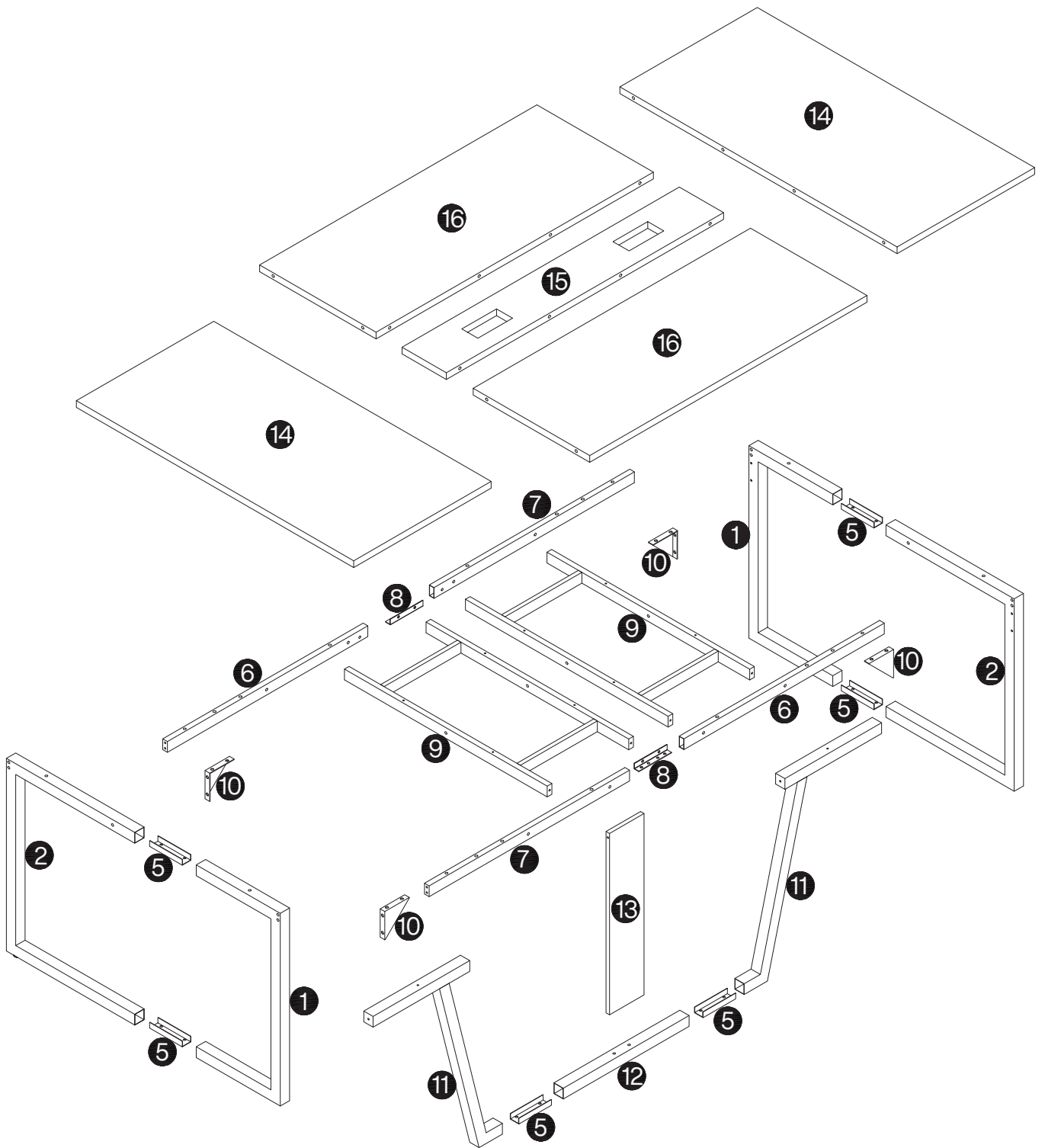
If an electric screwdriver is used, reduce power and torque to avoid damage to the product.



AVOID SCRATCHES

In order to avoid scratching, this furniture should be assembled on a soft surface, such as a rug.

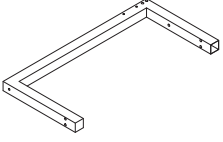
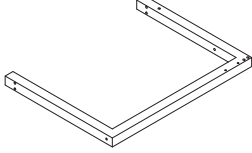
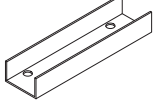
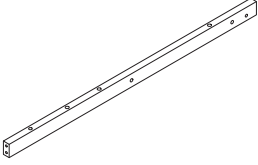
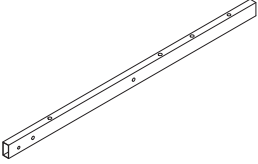
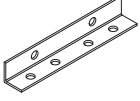
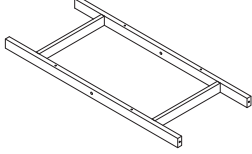
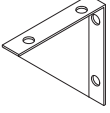
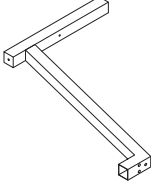
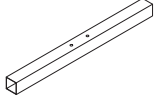
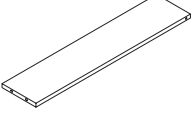
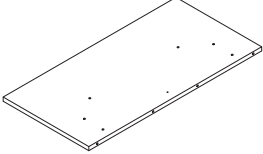
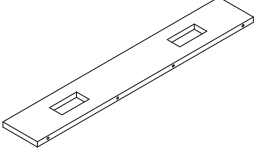
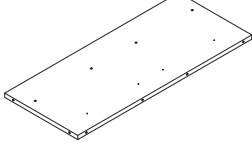




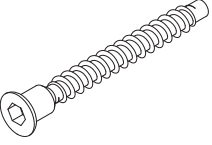
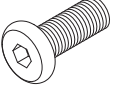
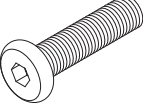
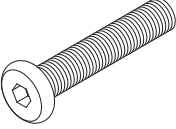
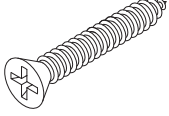
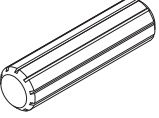
⚠ Caution

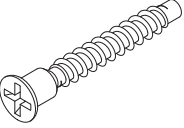
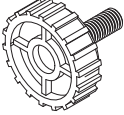
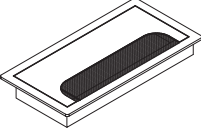
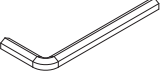

Make sure all parts are included. Most board parts are labeled or stamped on the raw edge. Contact us for a free replacement if you encounter any damaged or missing parts.

Parts List

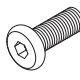

<p>①</p>  <p>2 pcs</p>	<p>②</p>  <p>2 pcs</p>	<p>⑤</p>  <p>6 pcs</p>	<p>⑥</p>  <p>2 pcs</p>	<p>⑦</p>  <p>2 pcs</p>
<p>⑧</p>  <p>2 pcs</p>	<p>⑨</p>  <p>2 pcs</p>	<p>⑩</p>  <p>4 pcs</p>	<p>⑪</p>  <p>2 pcs</p>	<p>⑫</p>  <p>1 pc</p>
<p>⑬</p>  <p>1 pc</p>	<p>⑭</p>  <p>2 pcs</p>	<p>⑮</p>  <p>1 pc</p>	<p>⑯</p>  <p>2 pcs</p>	

Hardware List

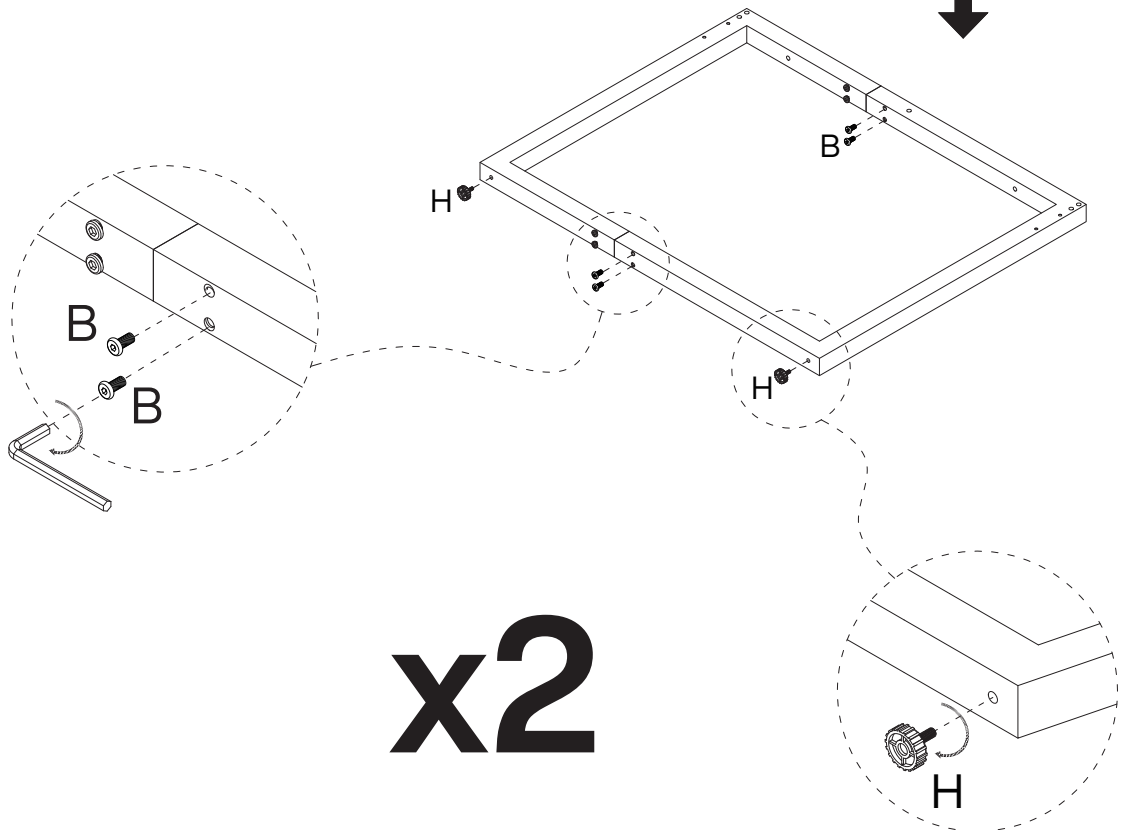
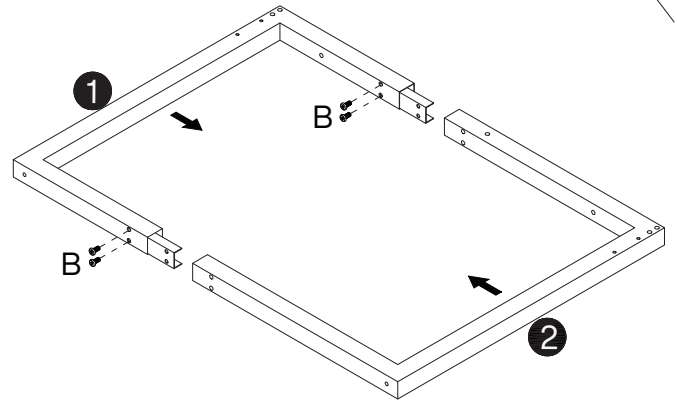
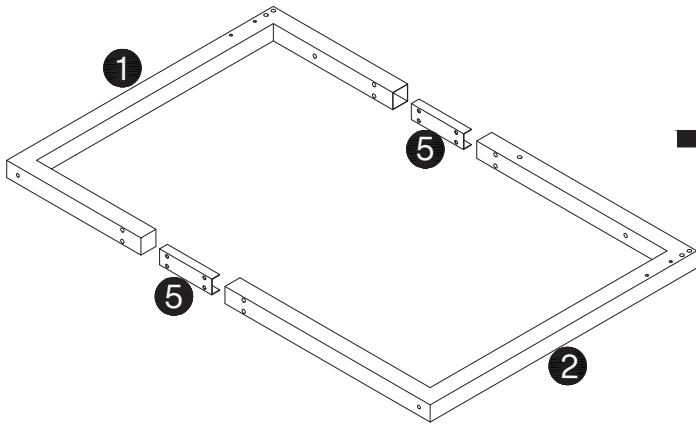
A	B	C	D	E	F
					
Ø7x58mm	M6x12mm	M6x35mm	M6x55mm	Ø4x55mm	Ø10x30mm
2 pcs	44 pcs	10 pcs	30 pcs	10 pcs	16 pcs

G	H	I	J		
					
Ø7x38mm	M6x18mm		M4		
2 pcs	6 pcs	2 pcs	1pc	1pc	

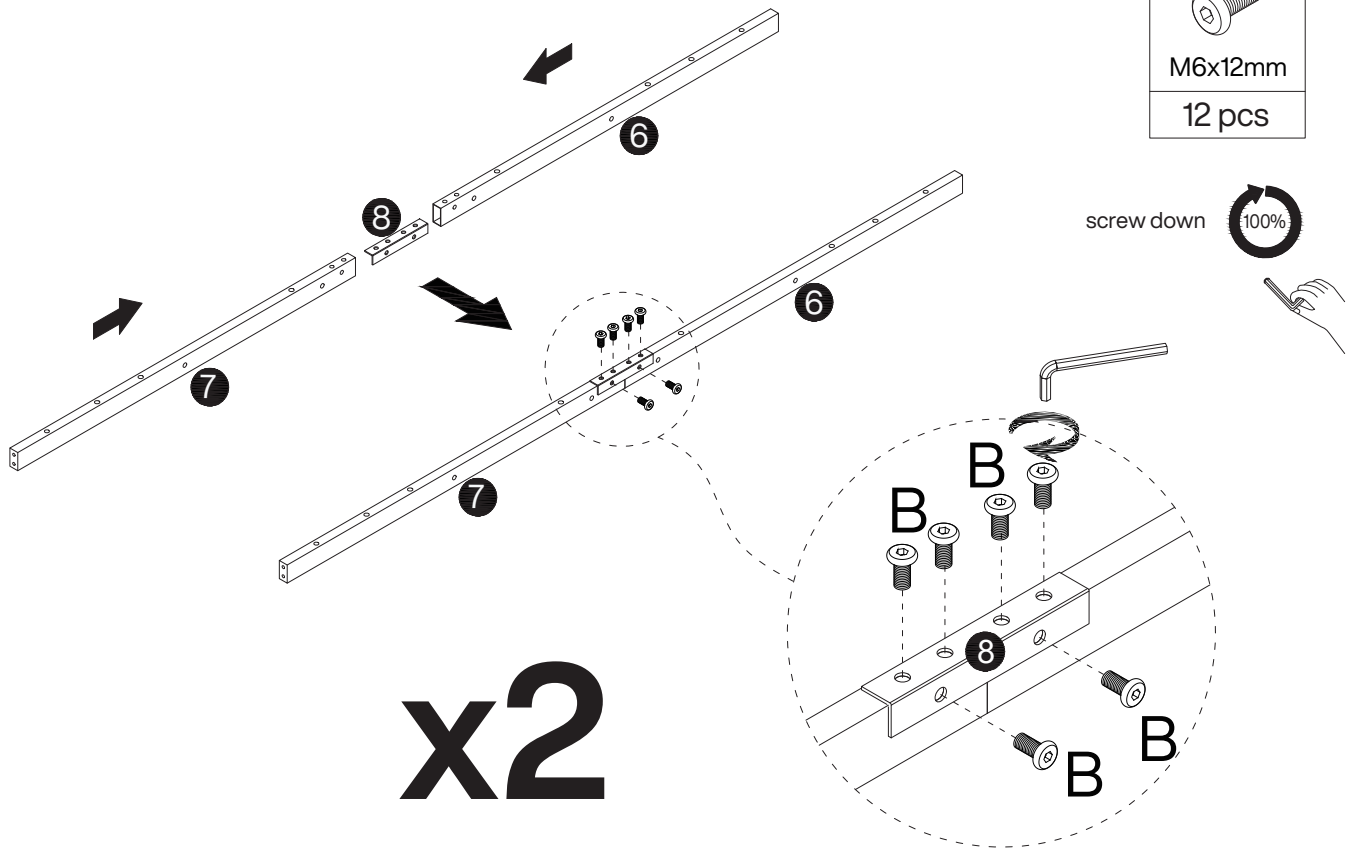
1

B	H
	
M6x12mm	M6x18mm
16 pcs	4 pcs

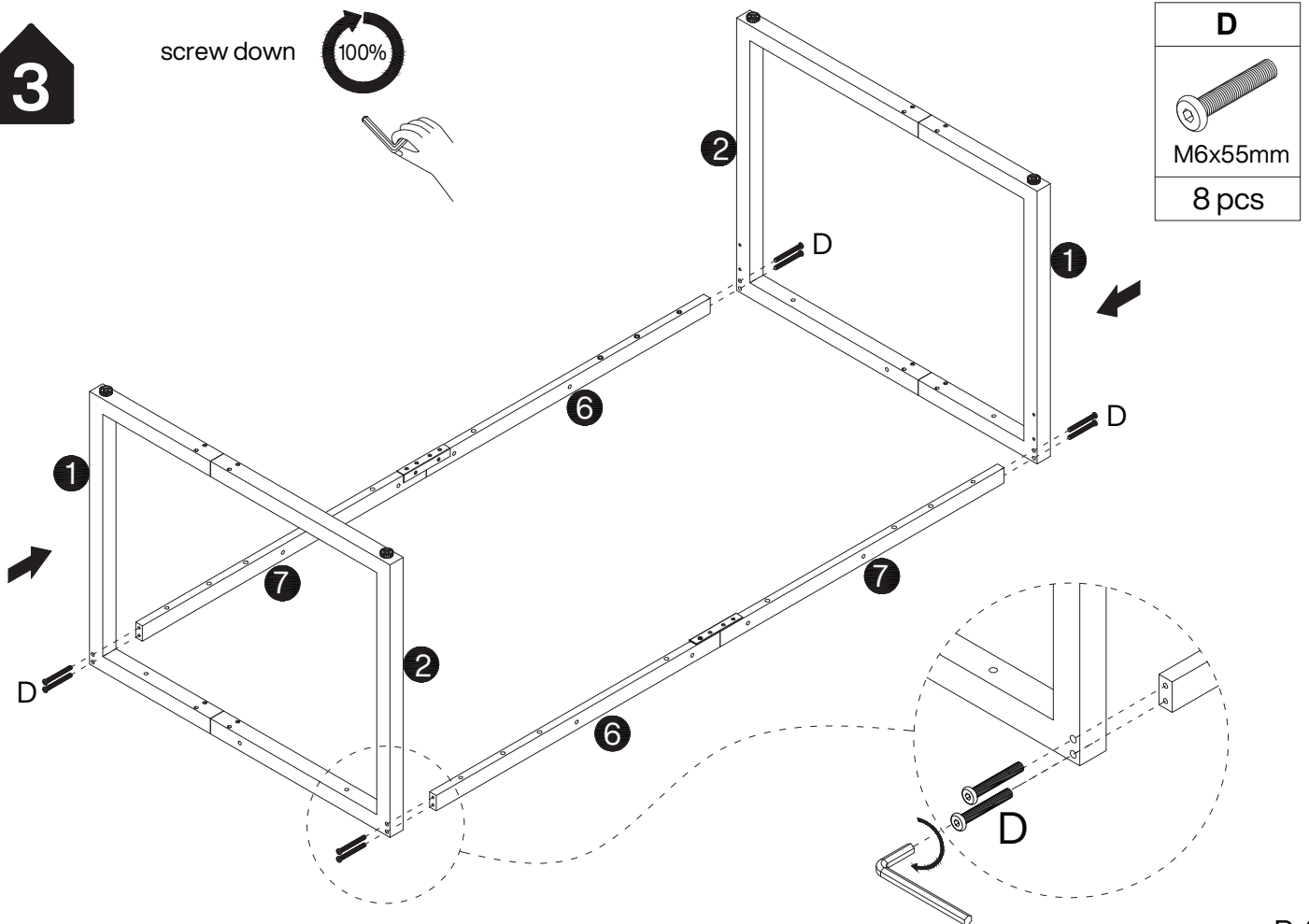
screw down 



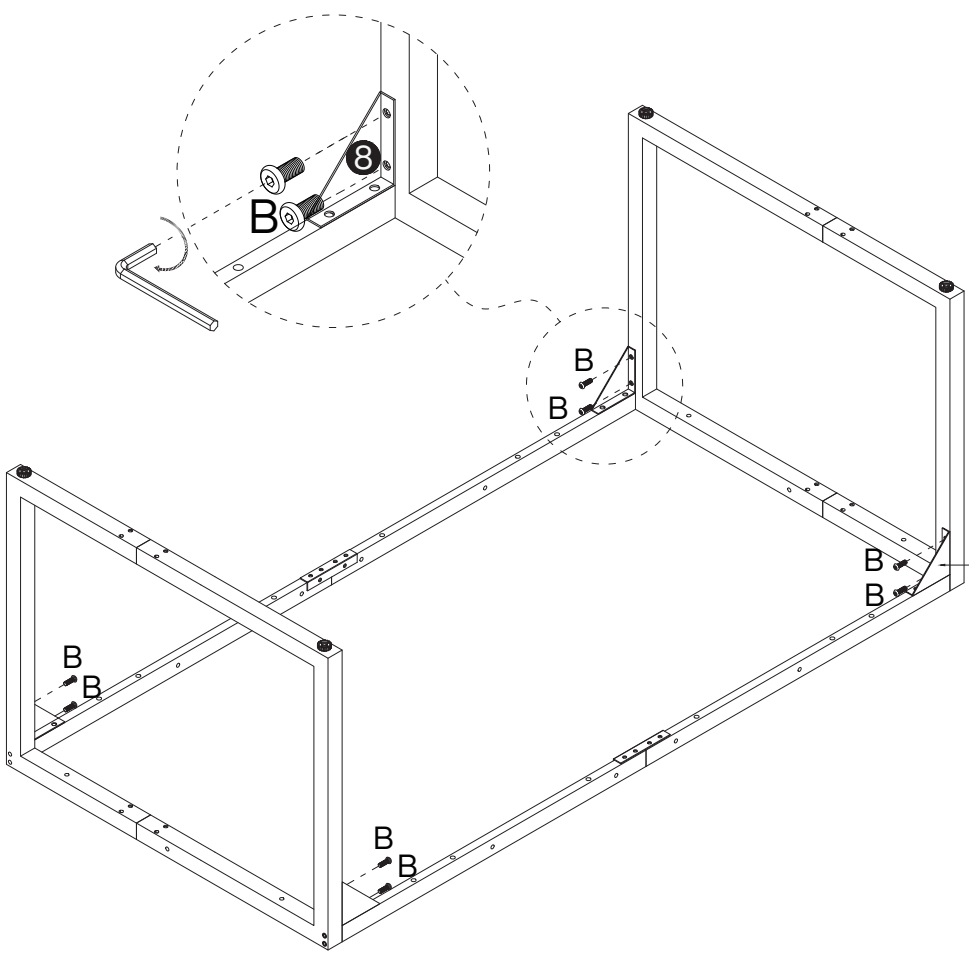
2

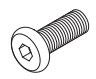


3



4

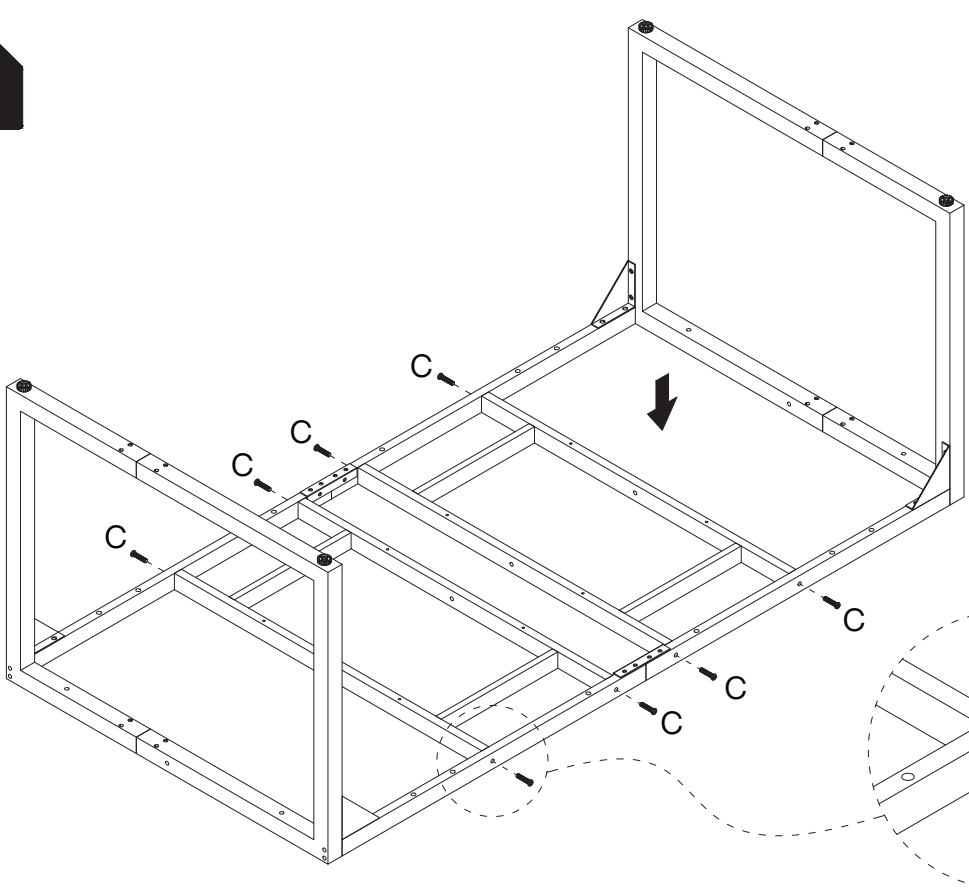


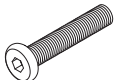
B

M6x12mm
8 pcs

screw down 

8 x 4

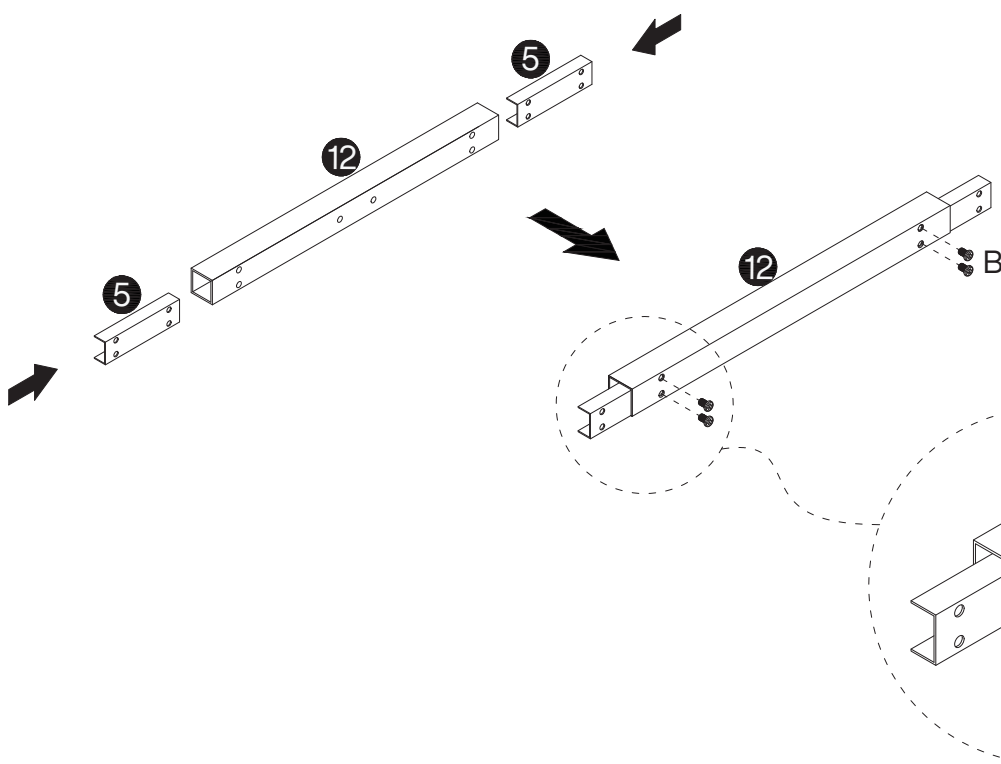
5

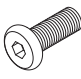



C

M6x35mm
8 pcs

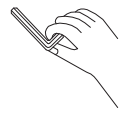
screw down 

6

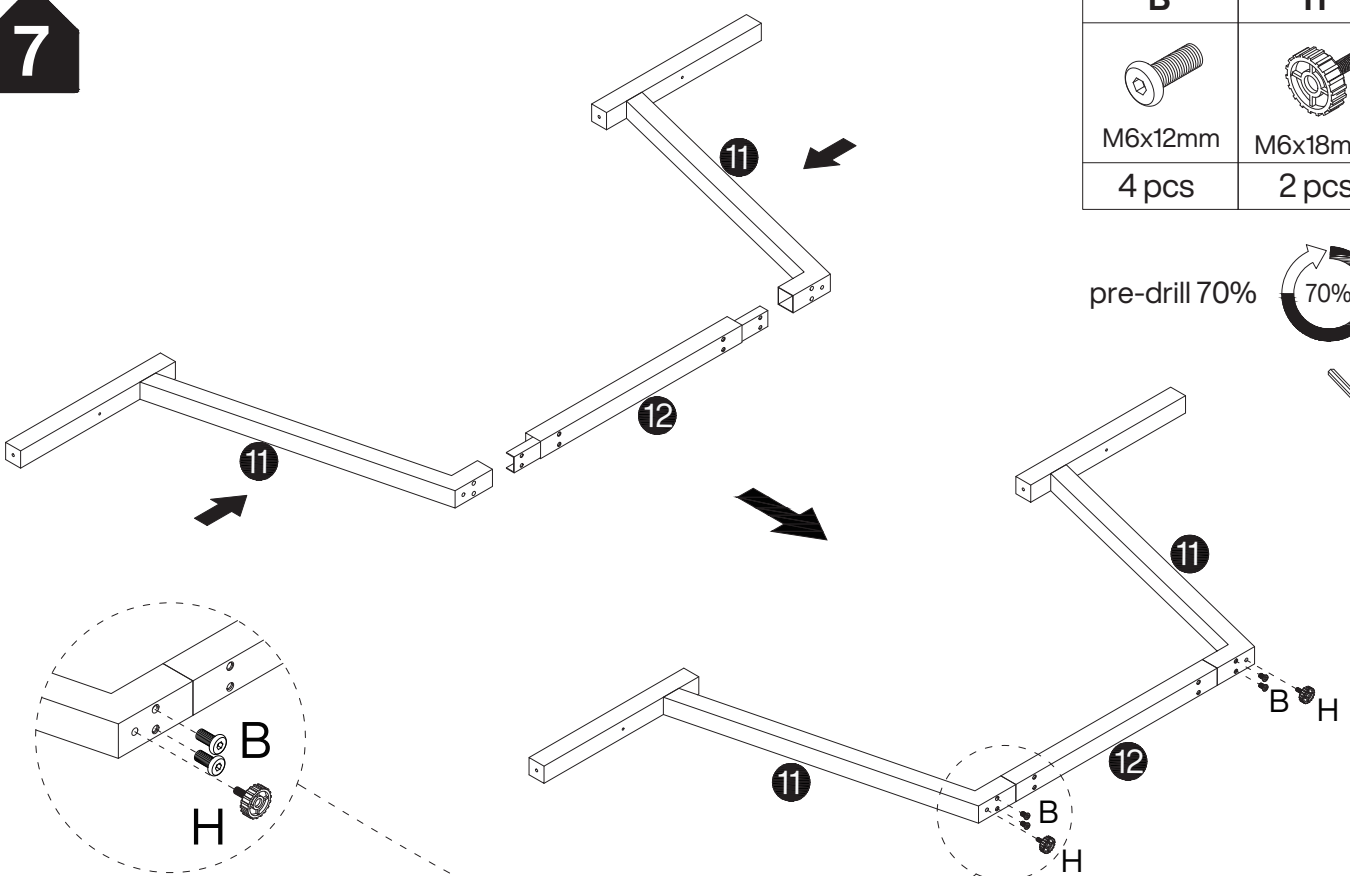


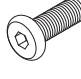
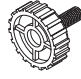
B

M6x12mm
4 pcs

pre-drill 70% 



7

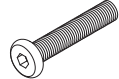
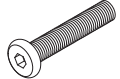


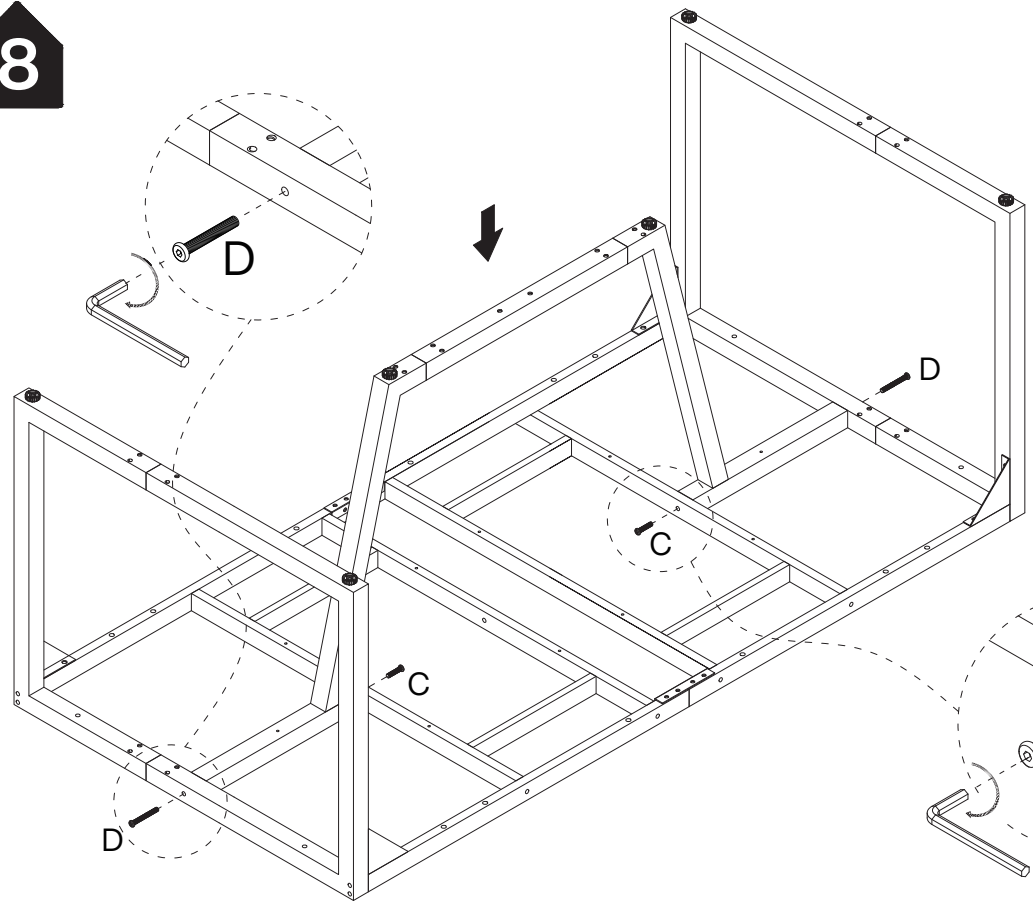
B	H
	
M6x12mm	M6x18mm
4 pcs	2 pcs

pre-drill 70% 



8

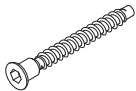
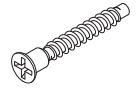
C	D
	
M6x35mm	M6x55mm
2 pcs	2 pcs

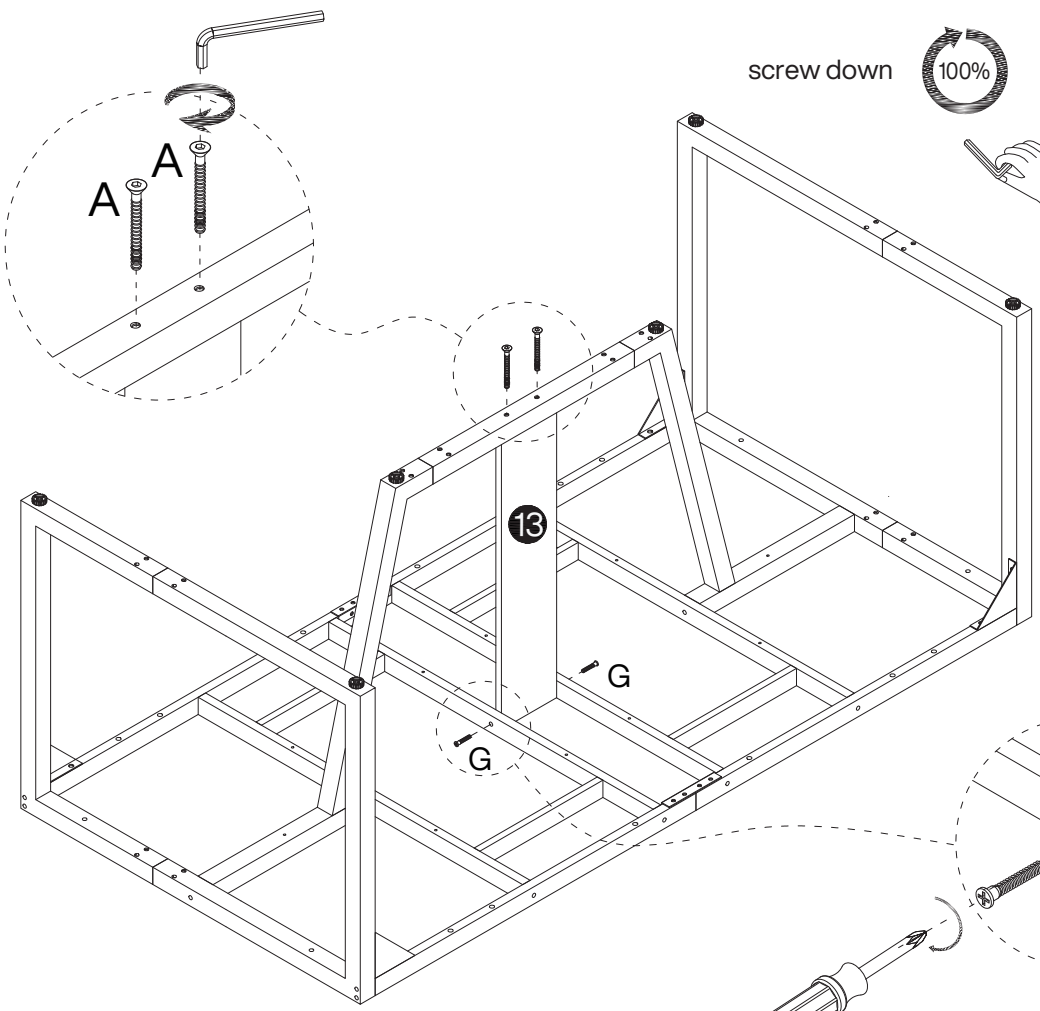


screw down 100%

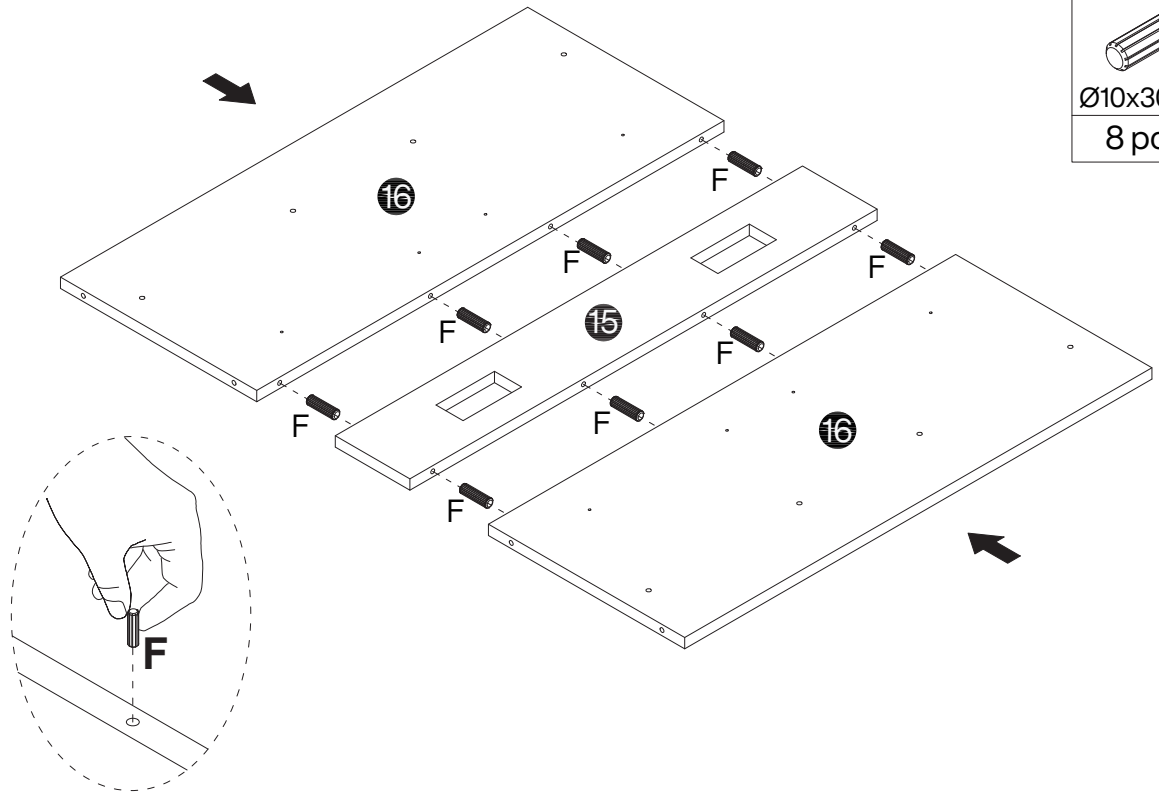
9

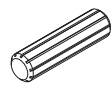
screw down 100%

A

Ø7x58mm
2 pcs
G

Ø7x38mm
2 pcs

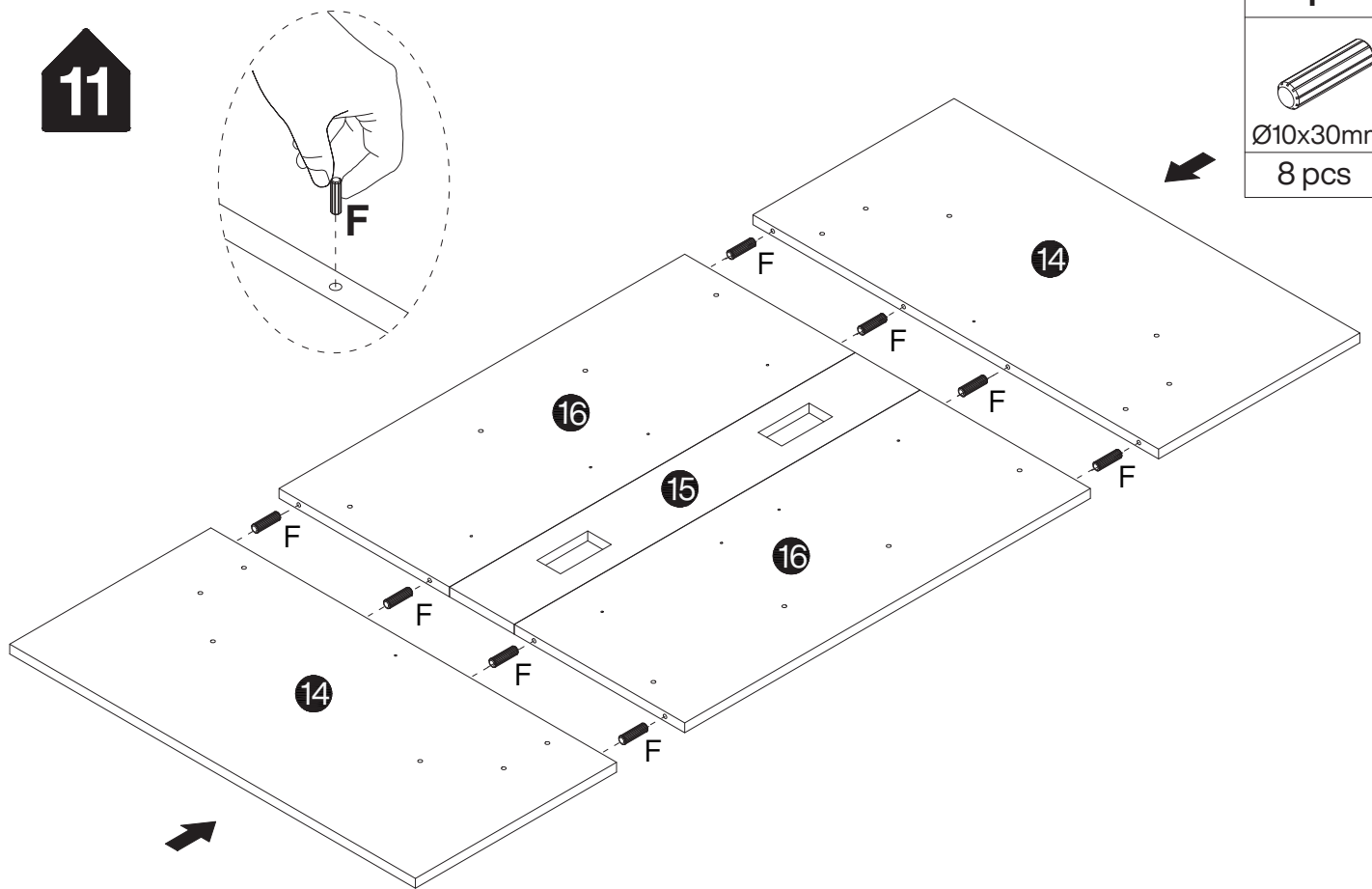


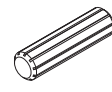
10



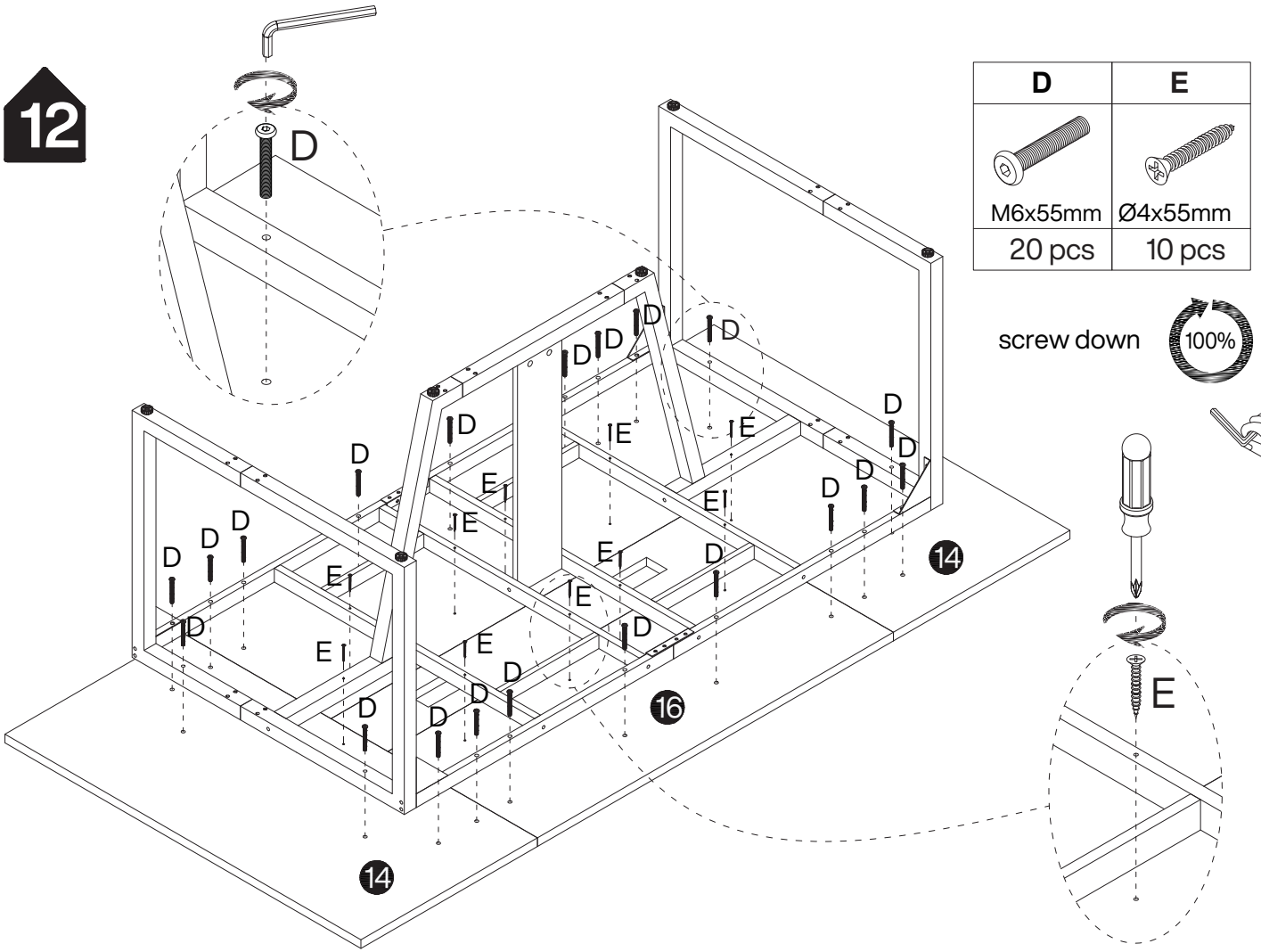
F

Ø10x30mm
8 pcs

11

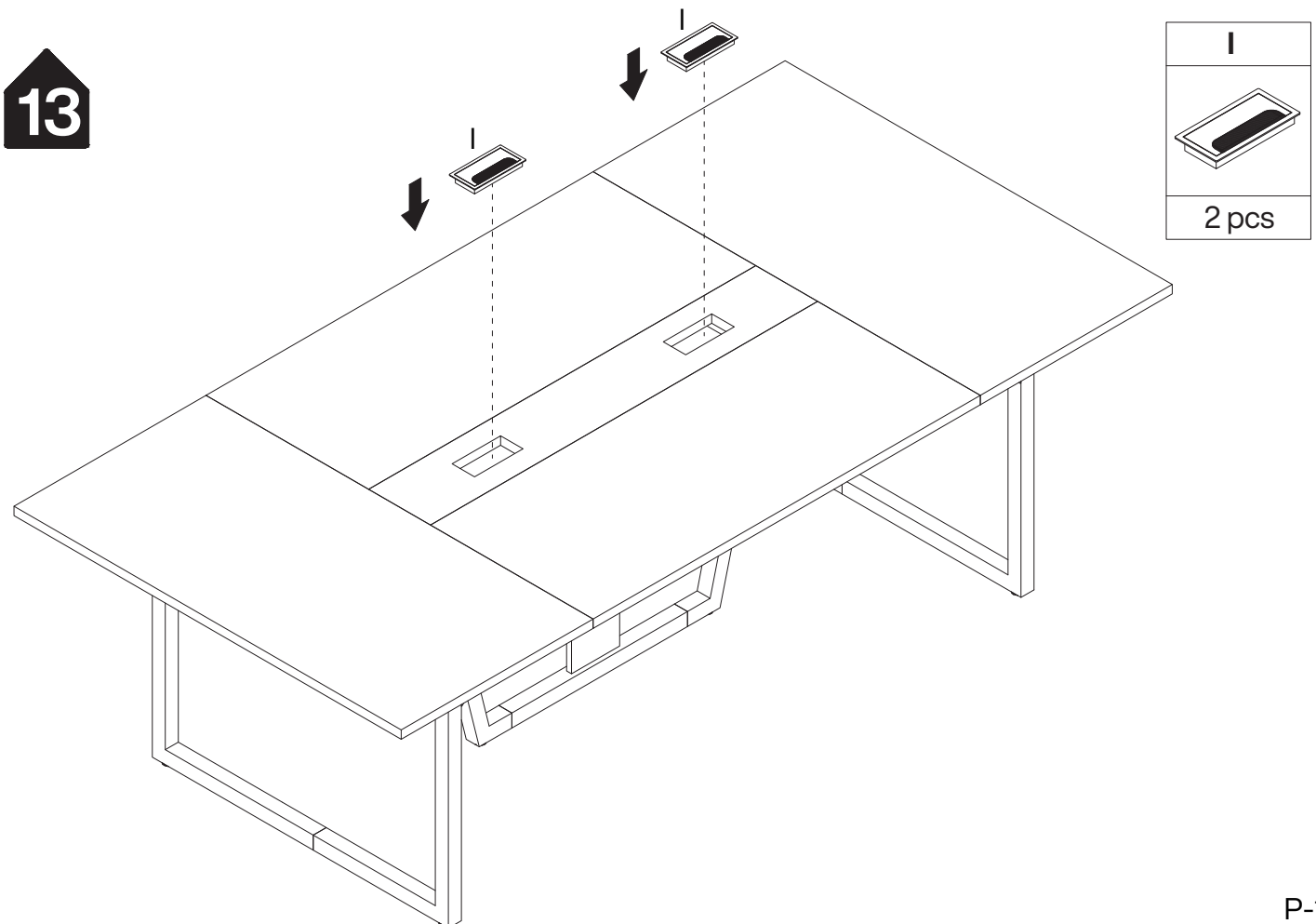


F

Ø10x30mm
8 pcs

12



13



Thank you for your support !

