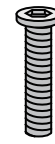
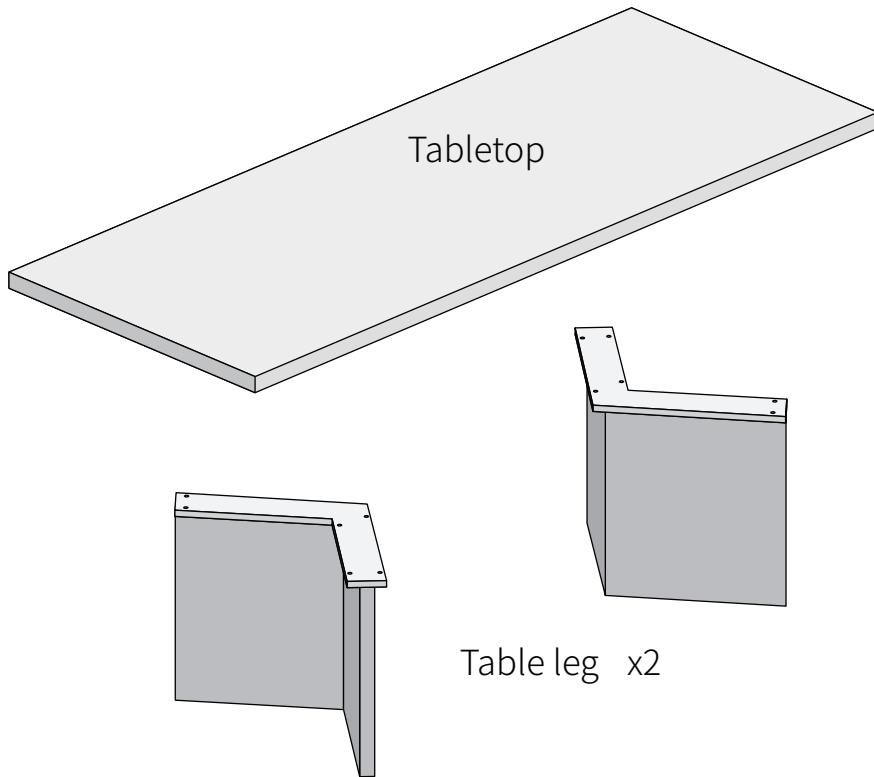


# WOODEN TABLE INSTALLATION TUTORIAL

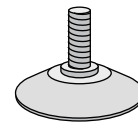
## PARTS LIST



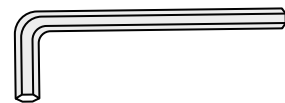
Screw x12



Gasket x12



Non-slip rubber pad x6

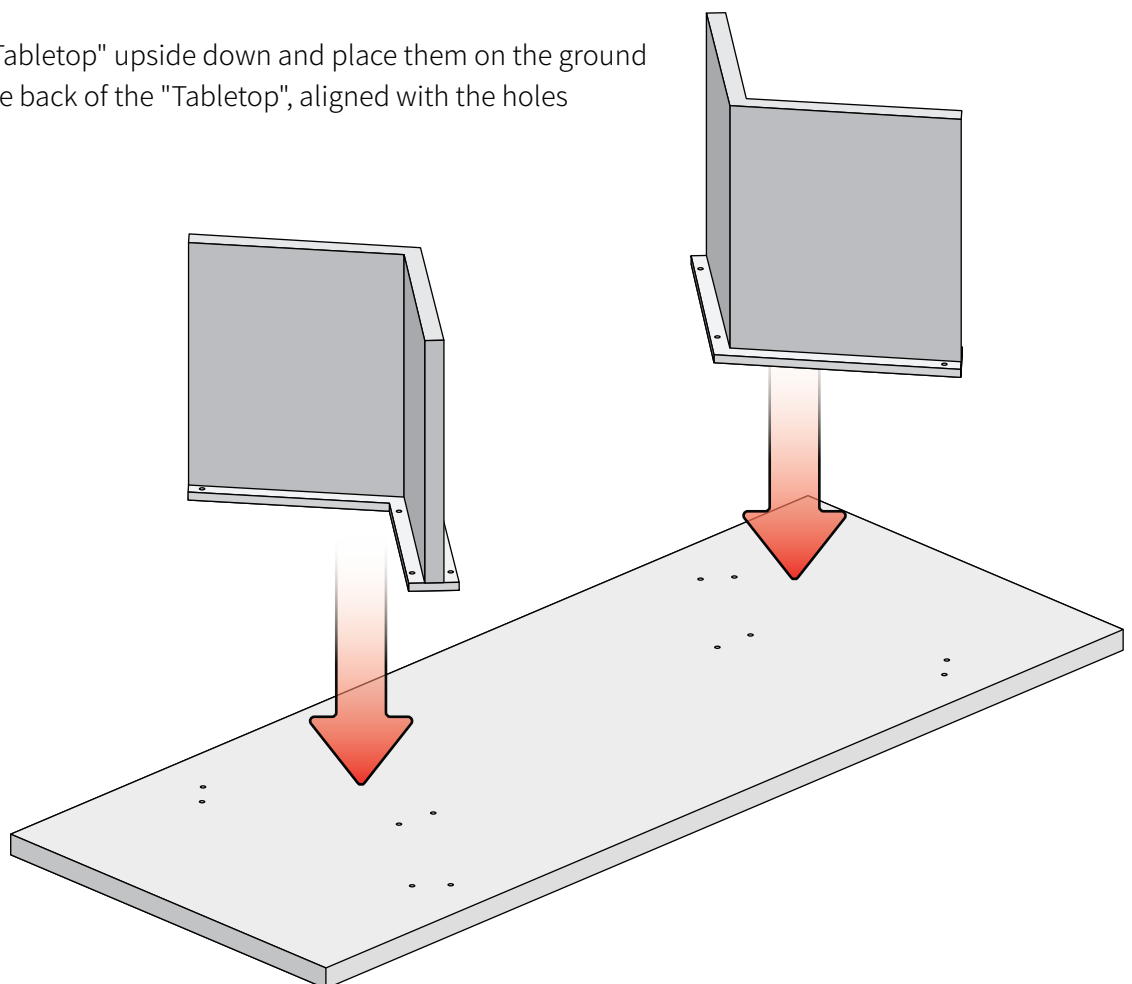


Hex key

The extra parts are for spare

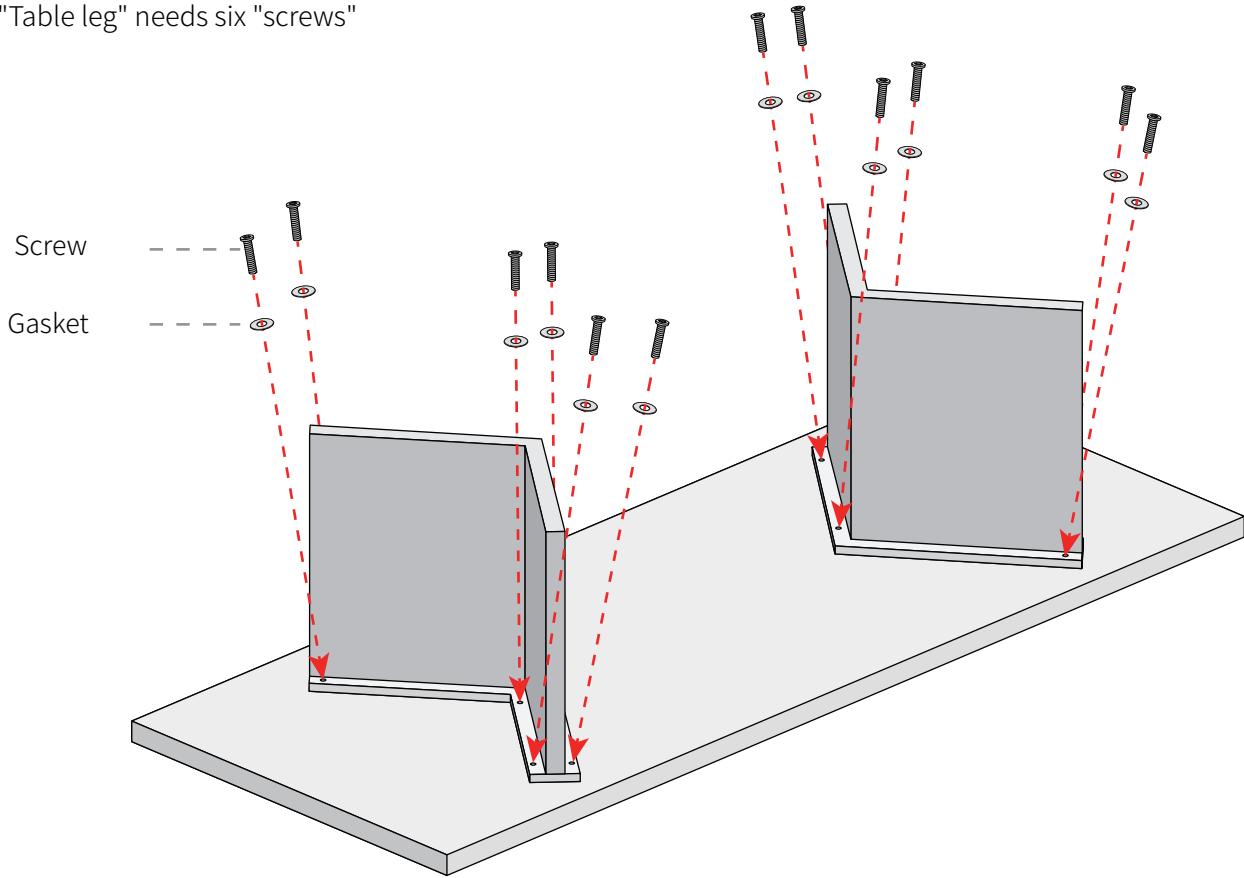
## STEP 1

Turn the "Table leg" and "Tabletop" upside down and place them on the ground  
Place the "Table leg" on the back of the "Tabletop", aligned with the holes



## STEP 2

Use "screws" and "gaskets" to secure the "Table leg",  
each "Table leg" needs six "screws"



## STEP 3

Install "Adjustable foot pads" on the "Table leg",  
Install three "Adjustable foot pads" on each "Table leg"

