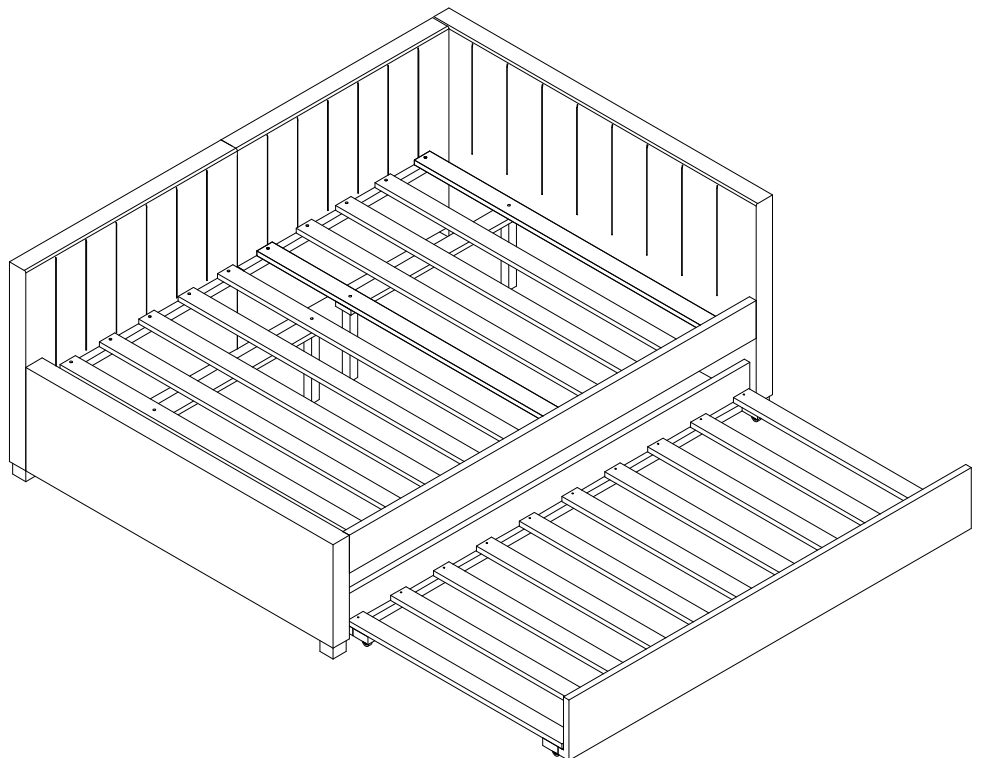
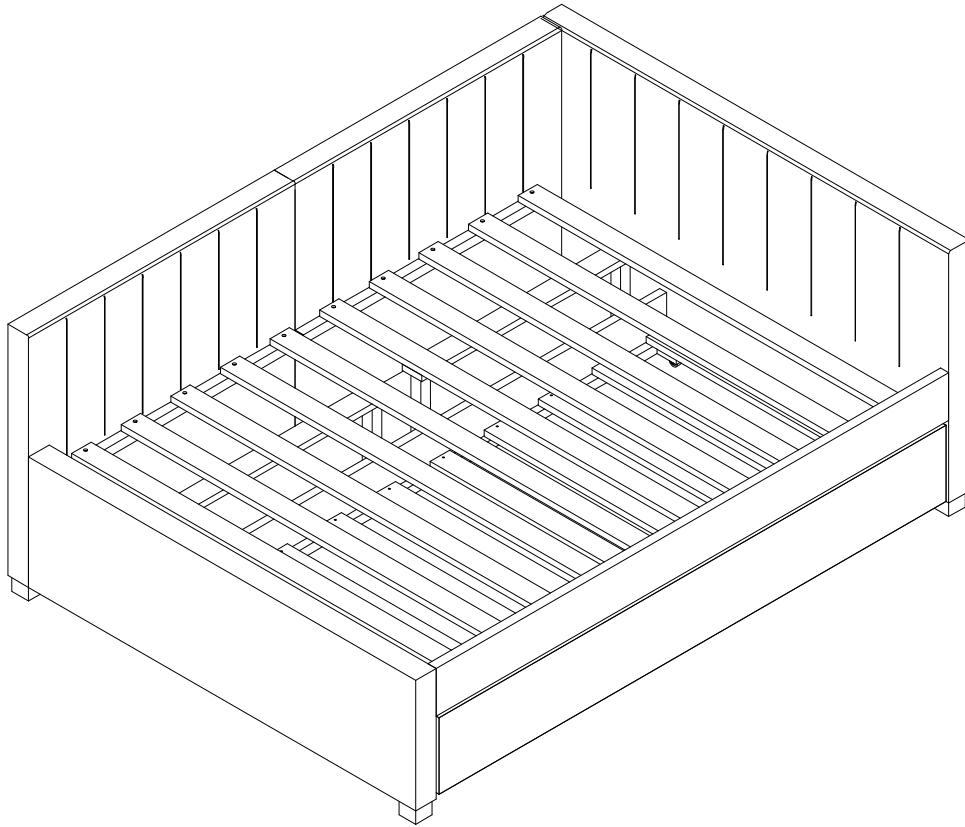
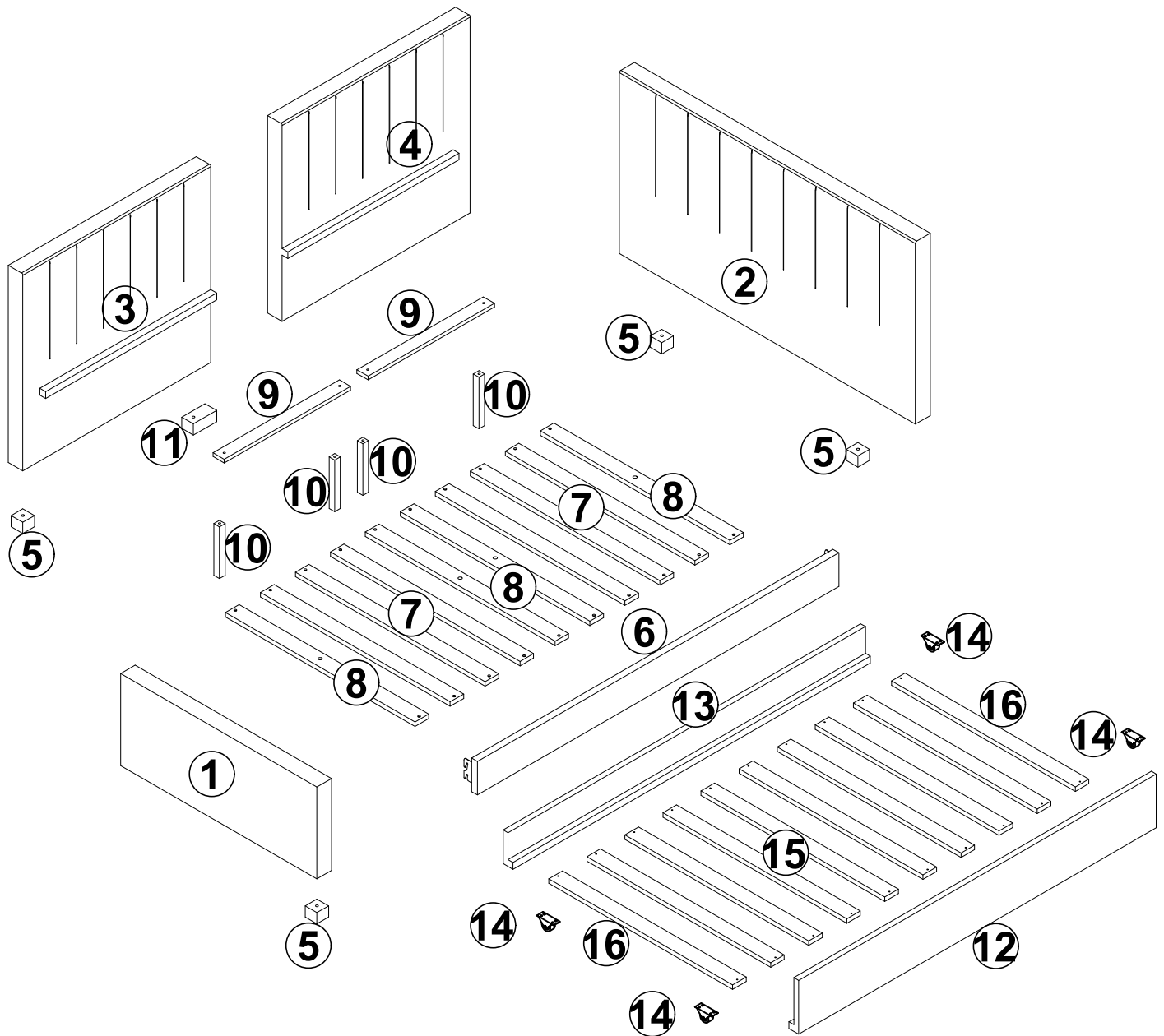


ASSEMBLY INSTRUCTION

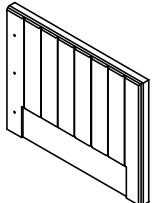
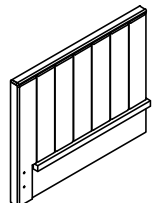
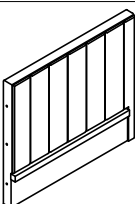


Detail View - FULL BED WITH TRUNDLE

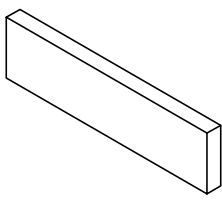
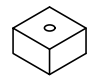
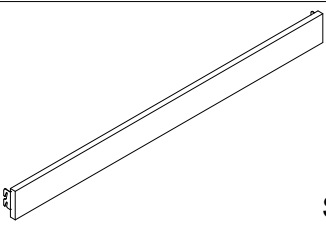
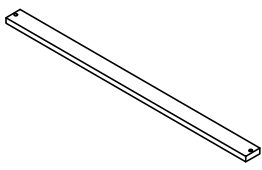
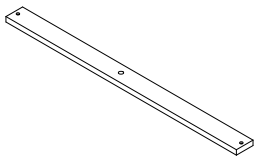
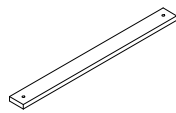

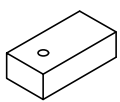
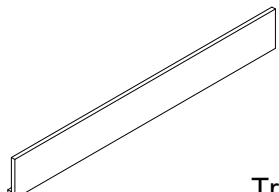
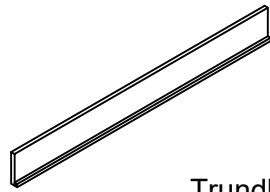
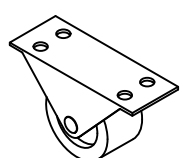
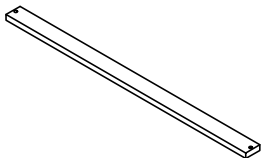
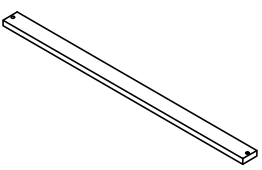


Identifying the Hardware - Identify the hardware using the illustrations below.


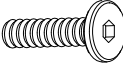
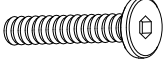
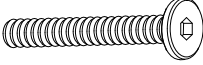






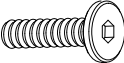


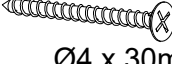
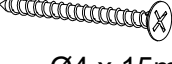
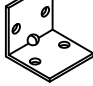
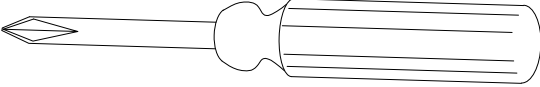
Part Lists

<p>2</p>  <p>Headboard-1pc</p>	<p>3</p>  <p>Back panel 1 - 1pc</p>
<p>4</p>  <p>Back panel 2 -1pc</p>	

Part Lists

<p>1</p>  <p>Footboard-1pc</p>	<p>5</p>  <p>Bed leg -4pcs</p>
<p>6</p>  <p>Side rail -1pc</p>	<p>7</p>  <p>Bed slat 1 - 6pcs</p>
<p>8</p>  <p>Bed slat 2 - 4pcs</p>	<p>9</p>  <p>Middle crossbar -2pcs</p>
<p>10</p>  <p>Support leg -4pcs</p>	<p>11</p>  <p>Back bottom leg -1pc</p>
<p>12</p>  <p>Trundle front panel -1pc</p>	<p>13</p>  <p>Trundle back panel -1pc</p>
<p>14</p>  <p>Wheel support -4pcs</p>	<p>15</p>  <p>Trundle Slat 1 - 8pc</p>
<p>16</p>  <p>Trundle Slat 2 -2pc</p>	

HARDWARE LISTS

A  4mm Allen key (1pc)	B  Ø5/16" x 20mm Hex-head bolt (4pcs)
C  Ø5/16" x 40mm Hex-head bolt (6pcs)	D  Ø5/16" x 50mm Hex-head bolt (5pcs)
E  Ø5/16" Spring washer (15pcs)	F  Ø5/16" Flat washer(15pcs)
G  Ø5/16" x 70mm Hanger bolt (2pcs)	H  Half moon (2pcs)
I  Ø5/16" Nut (2pcs)	J  Wrench (1pc)
K  Ø1/4" x 45mm Hex-head bolt (4pcs)	L  Ø1/4" Spring washer (4pcs)
M  Ø1/4" Flat washer(4pcs)	N  Ø4 x 30mm Wood screw (40pcs)
O  Ø4 x 15mm Wood screw (32pcs)	P  Metal bracket(4pcs)
 ASSEMBLY TOOLS REQUIRED (NOT INCLUDED)	

Read this instruction carefully. See hardware and furniture part list for guidance. Be sure all parts are complete, before you assemble. Place all wooden furniture parts on a clean and flat soft surface to prevent from being scratched.



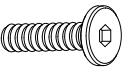
Follow the figure to start assembling.

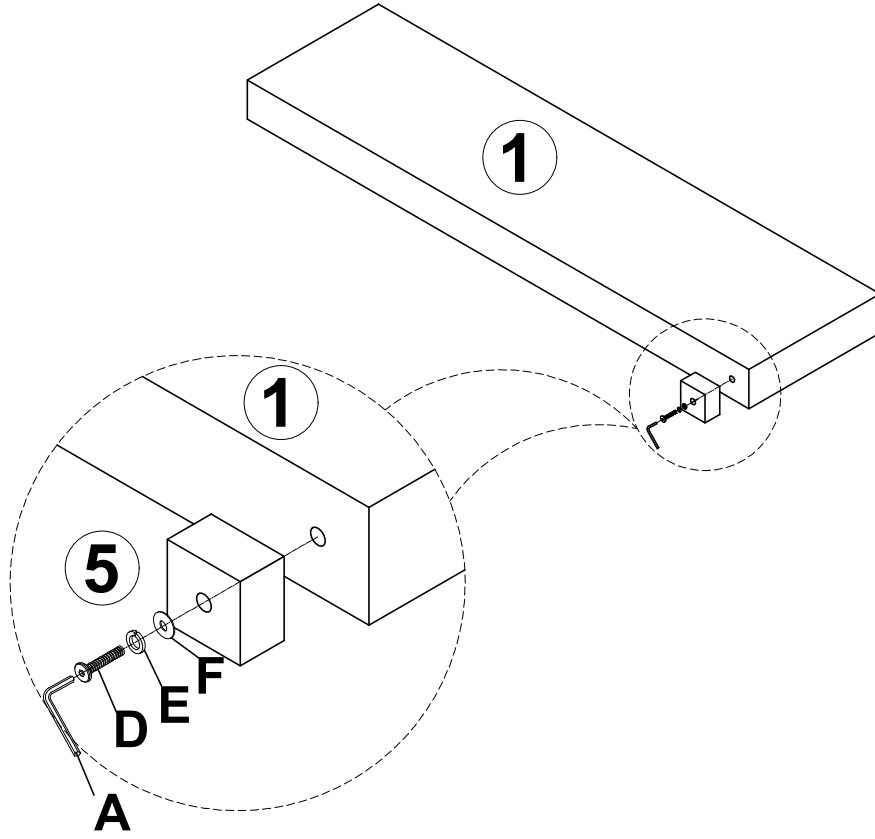
CAUTIONS :

1. Do not FULLY - TIGHTEN the nut or nut bolt until all nut or bolt is ready assembled.
2. Do not OVER - TIGHTEN the nut or bolt to avoid causing damages to the thread.
3. Keep all hardware parts out of reach of children.




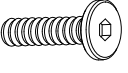
NOTE : THE LIST AND QUANTITY SHOWN ARE FOR 1 UNIT ASSEMBLY.

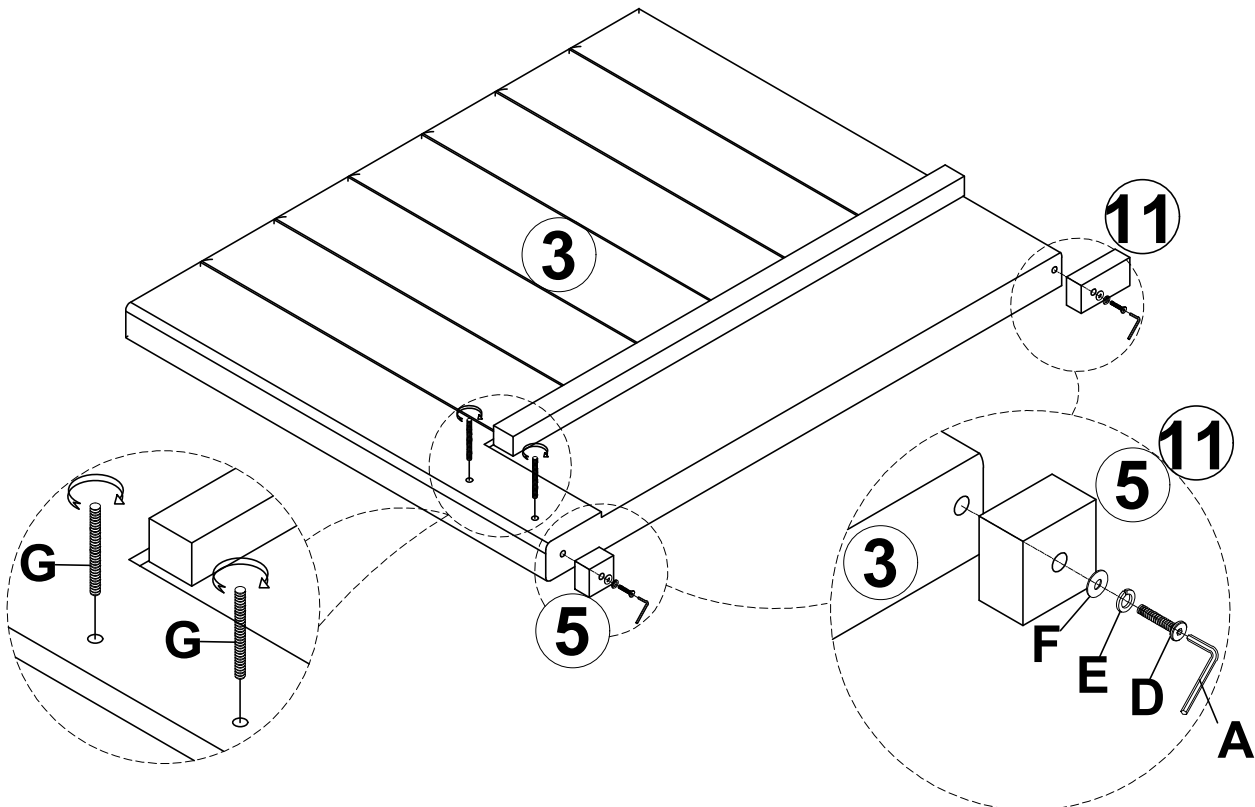
STEP 1

F		E		D	
	1PC		1PC		1PC



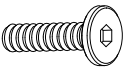


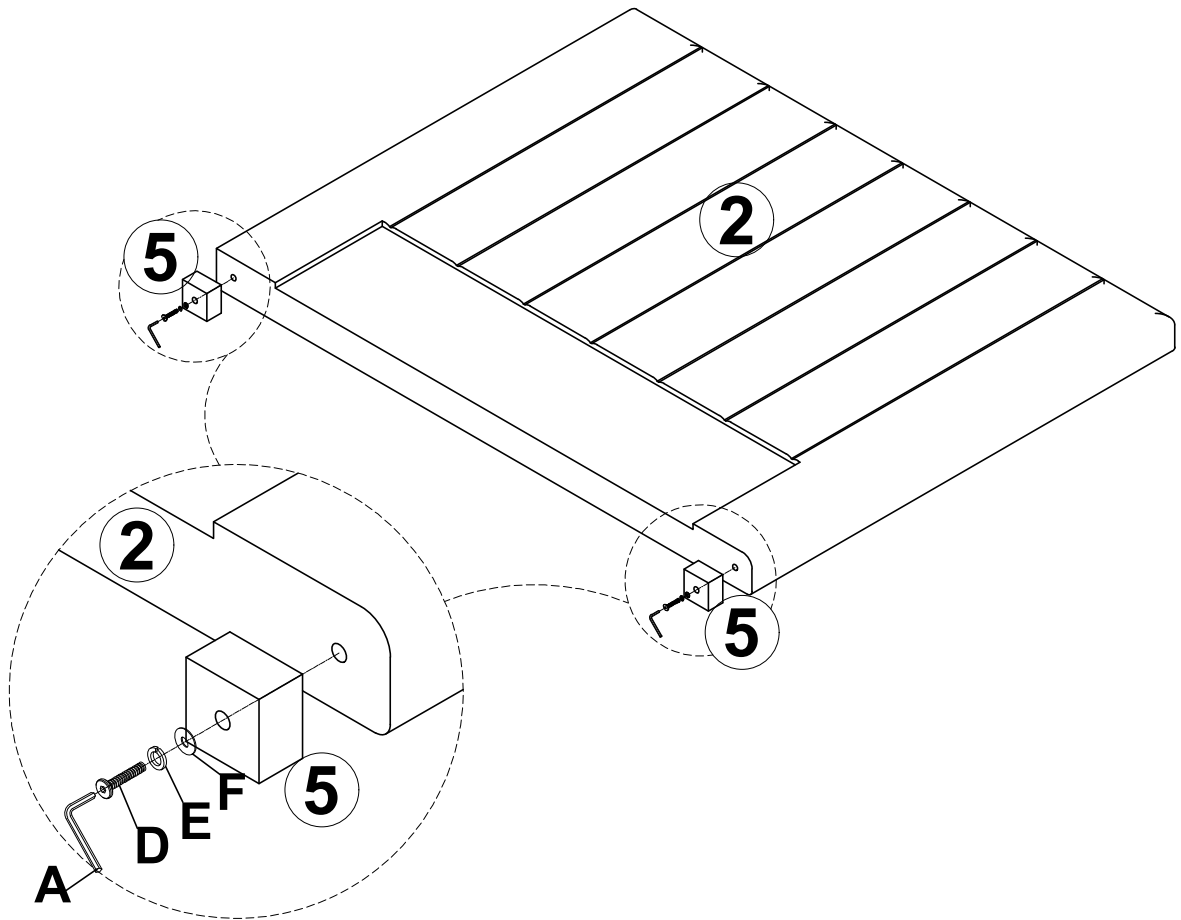
STEP 2

G		F		E		D	
	2PCS		2PCS		2PCS		2PCS



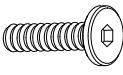


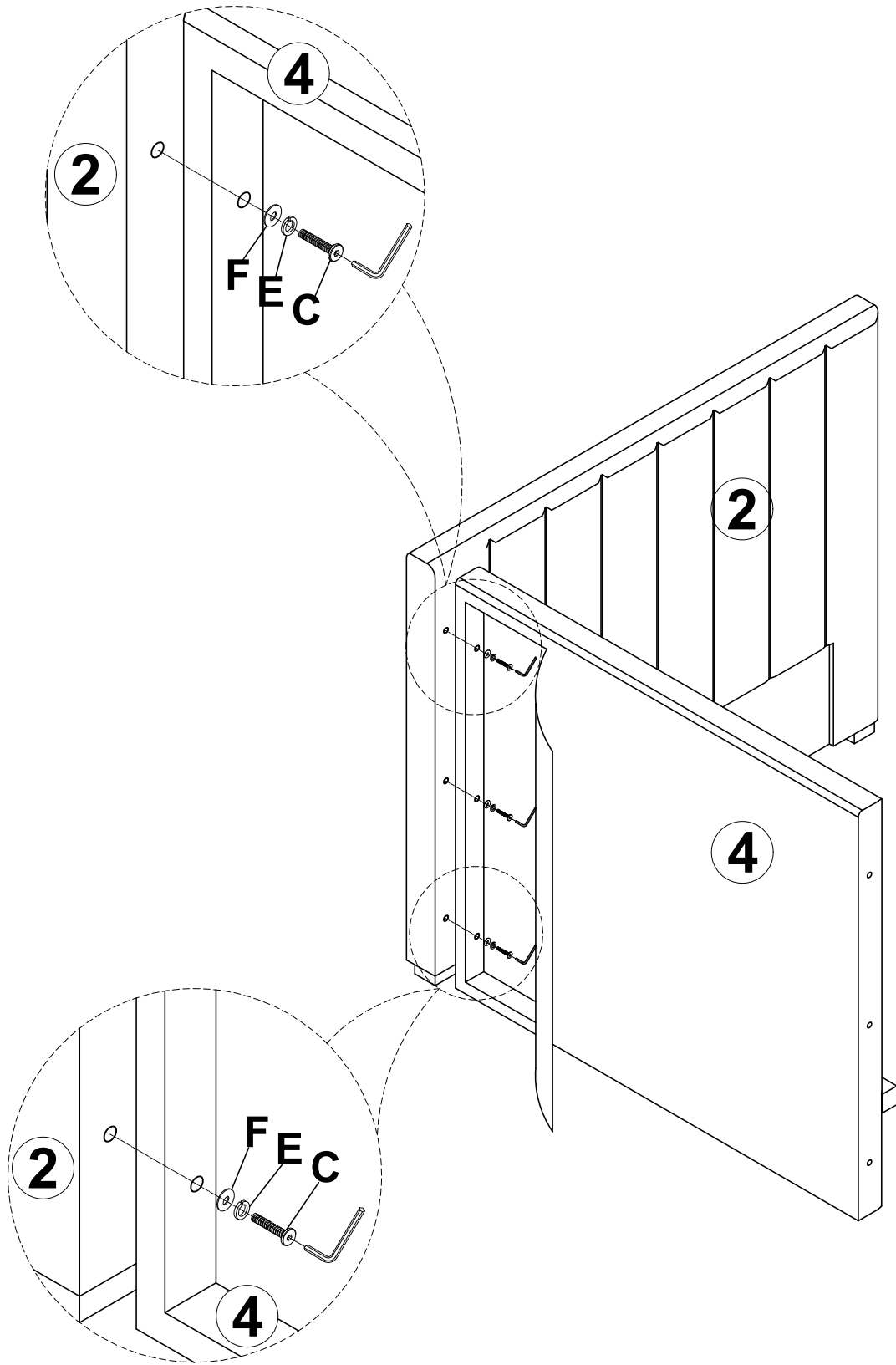
STEP 3

F 	E 	D 
2PCS	2PCS	2PCS



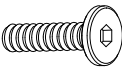


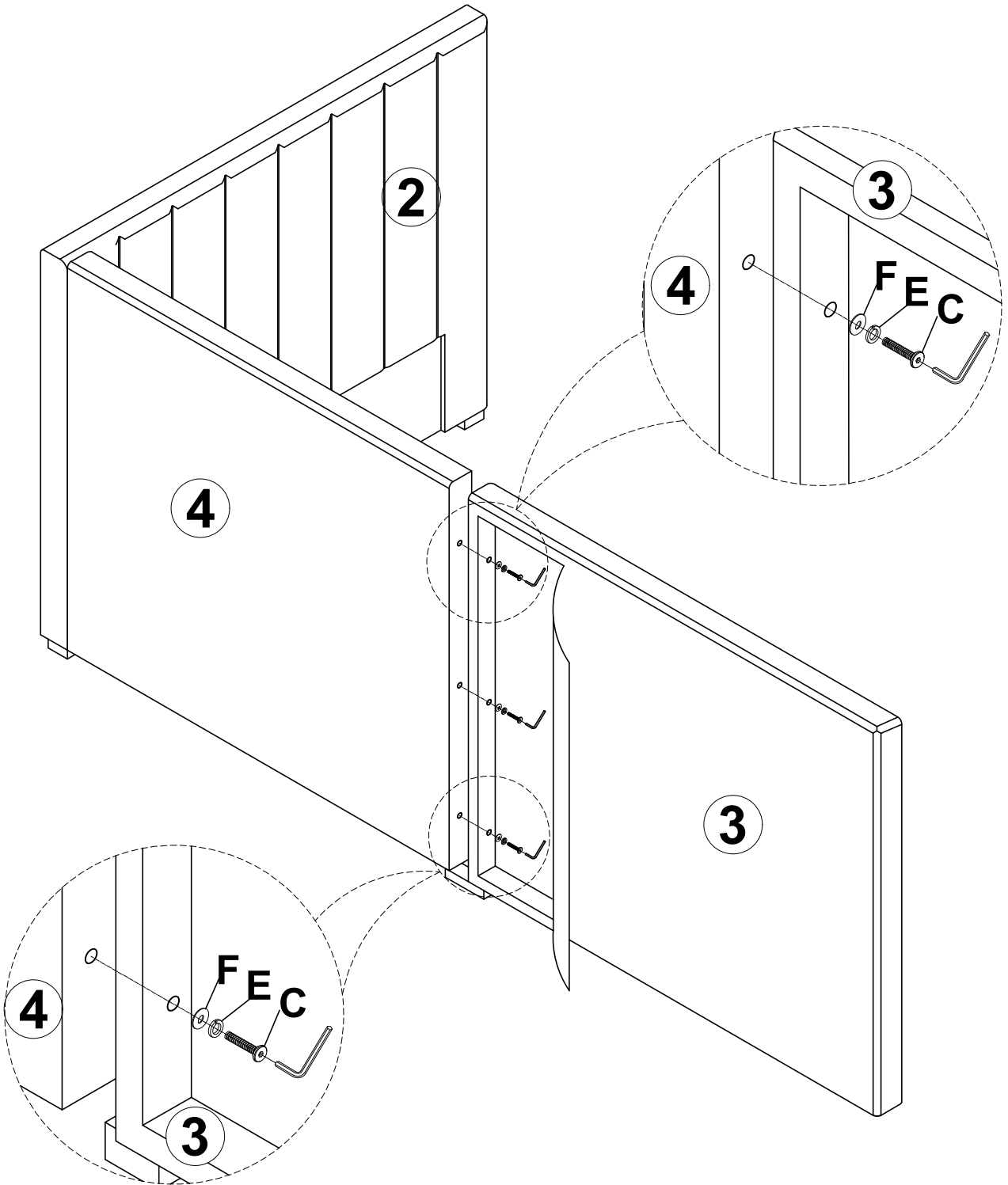
STEP 4

F		E		C	
3PCS		3PCS		3PCS	



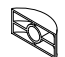


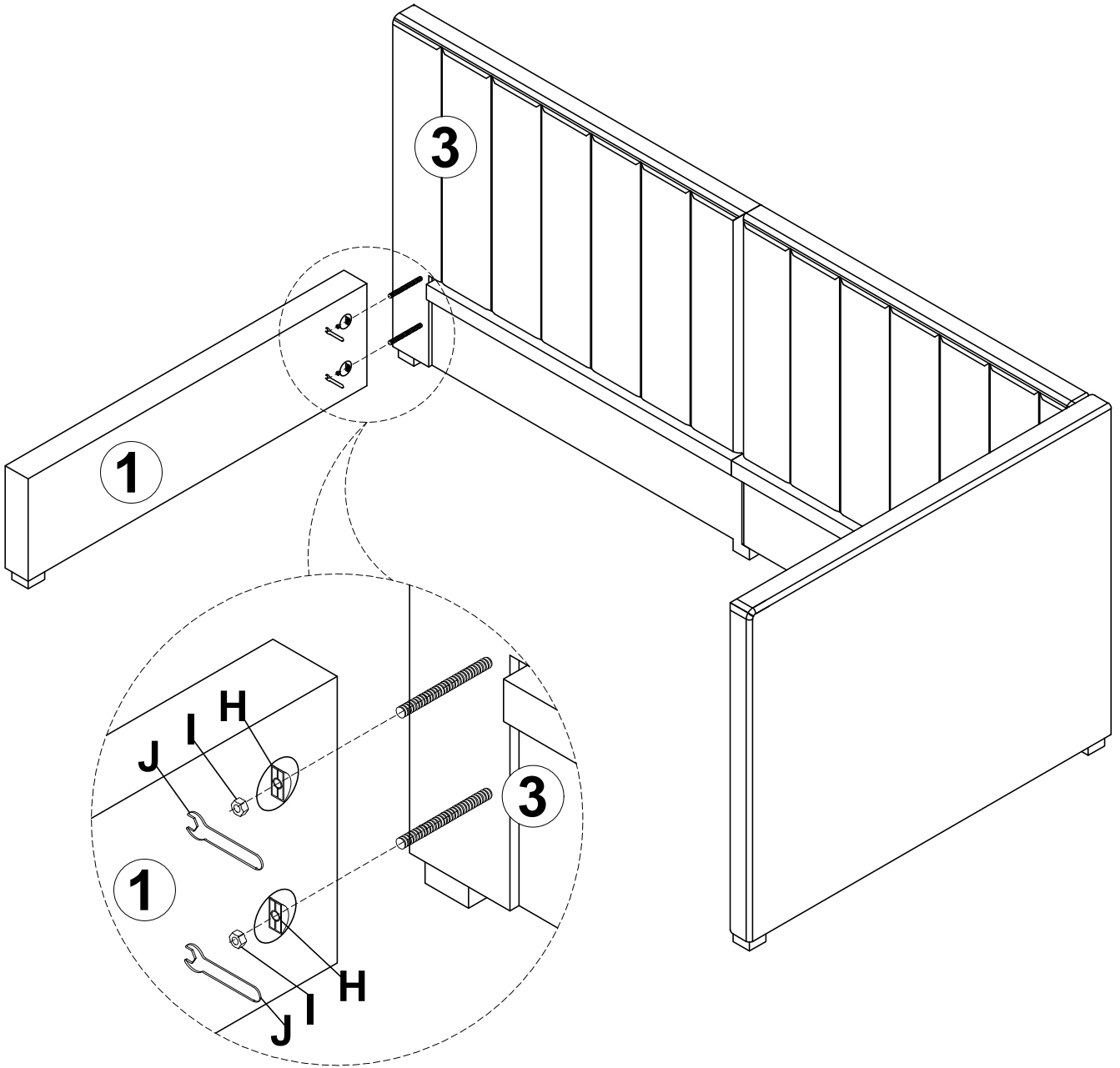
STEP 5

F 	E 	C 
3PCS	3PCS	3PCS



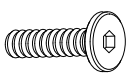


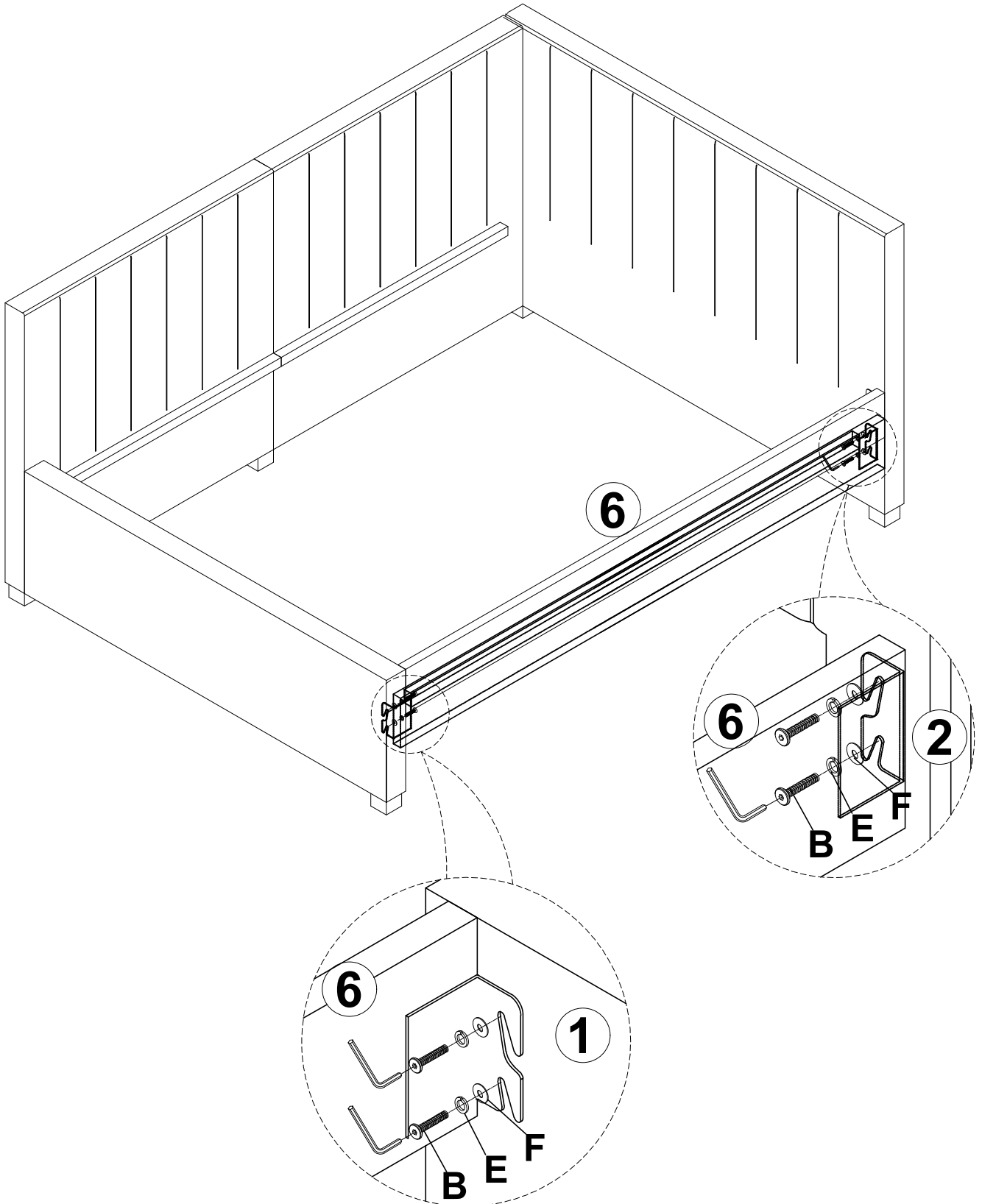
STEP 6

J		I		H	
1PC		2PCS		2PCS	



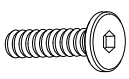


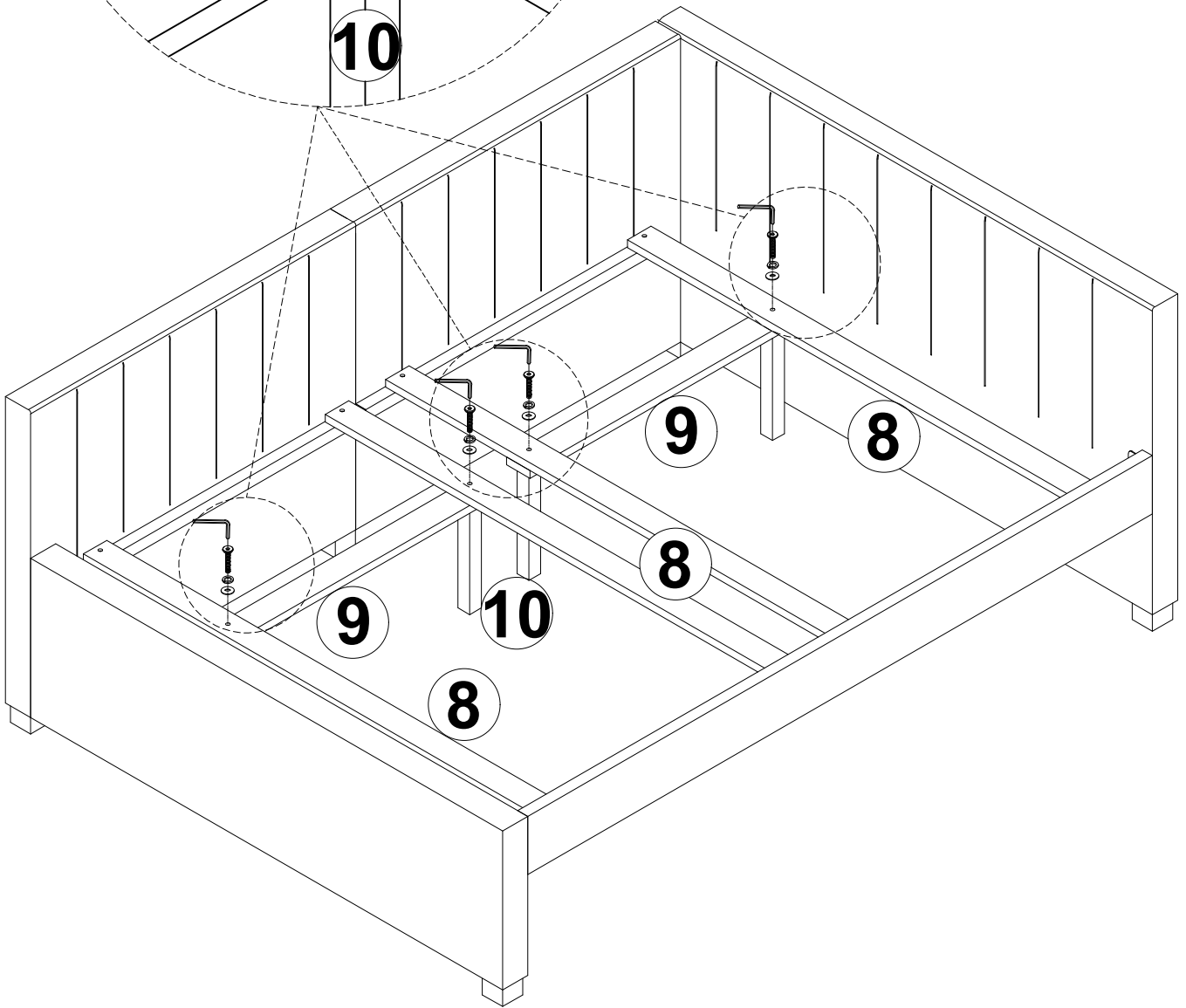
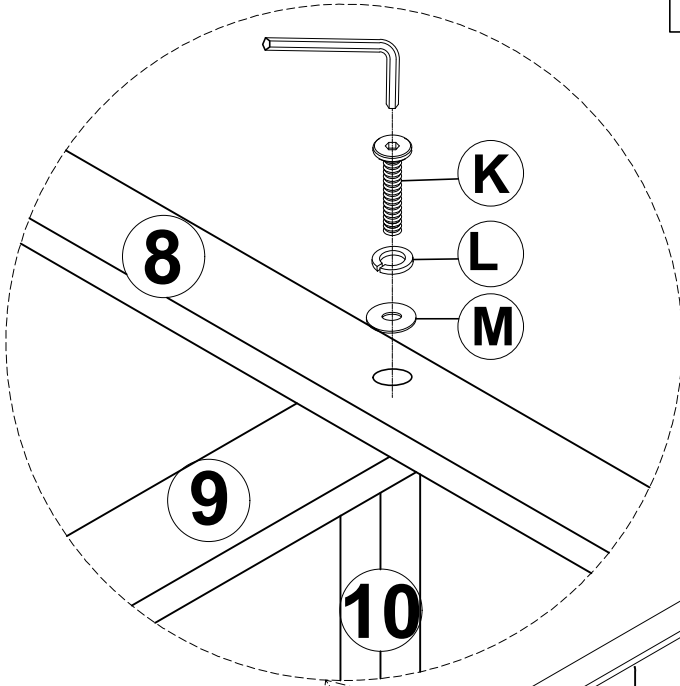
STEP 7

F 	E 	B 
4PCS	4PCS	4PCS



STEP 8

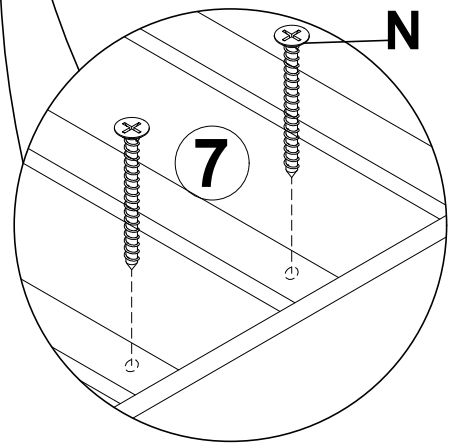
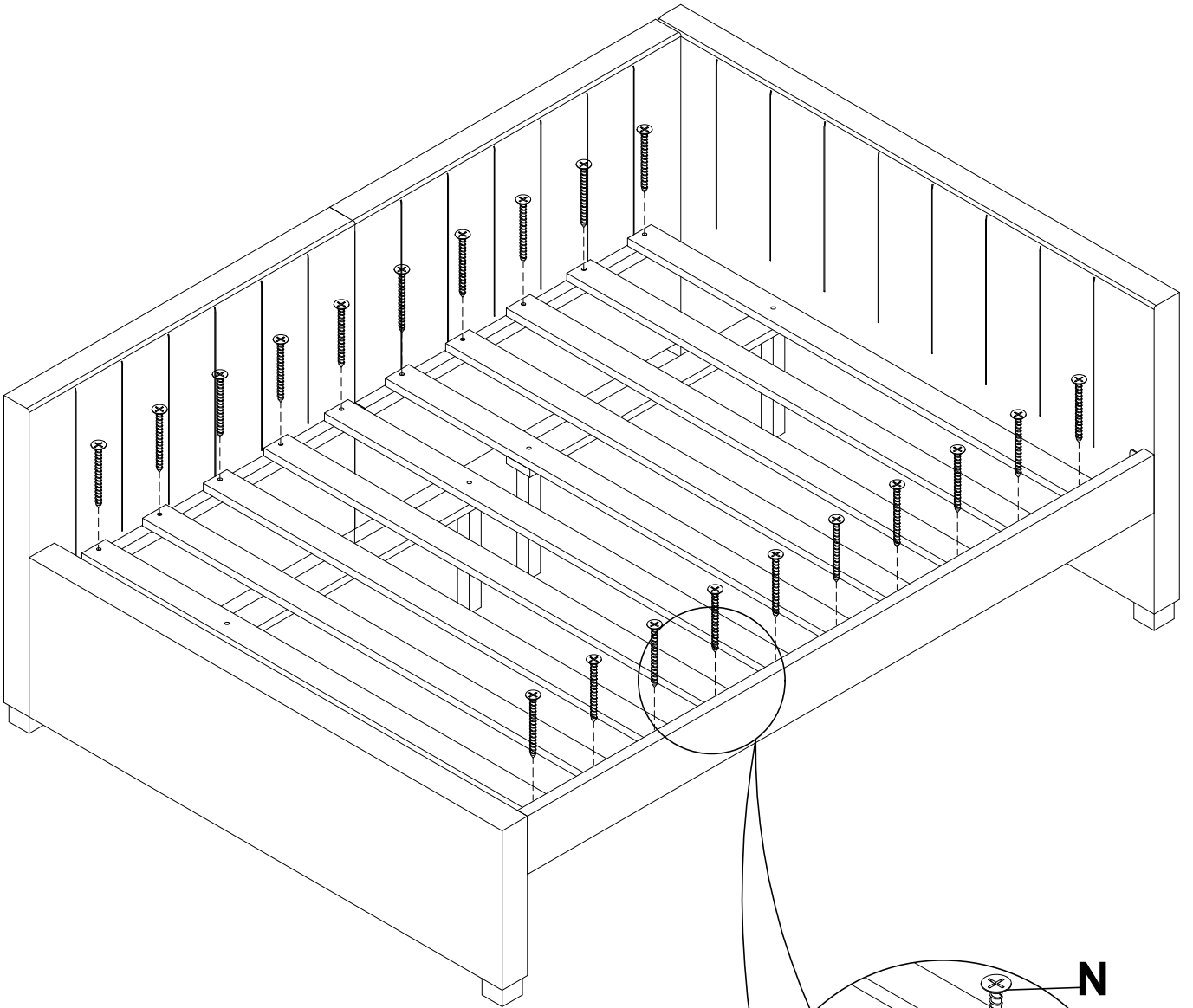
M 	L 	K 
4PCS	4PCS	4PCS



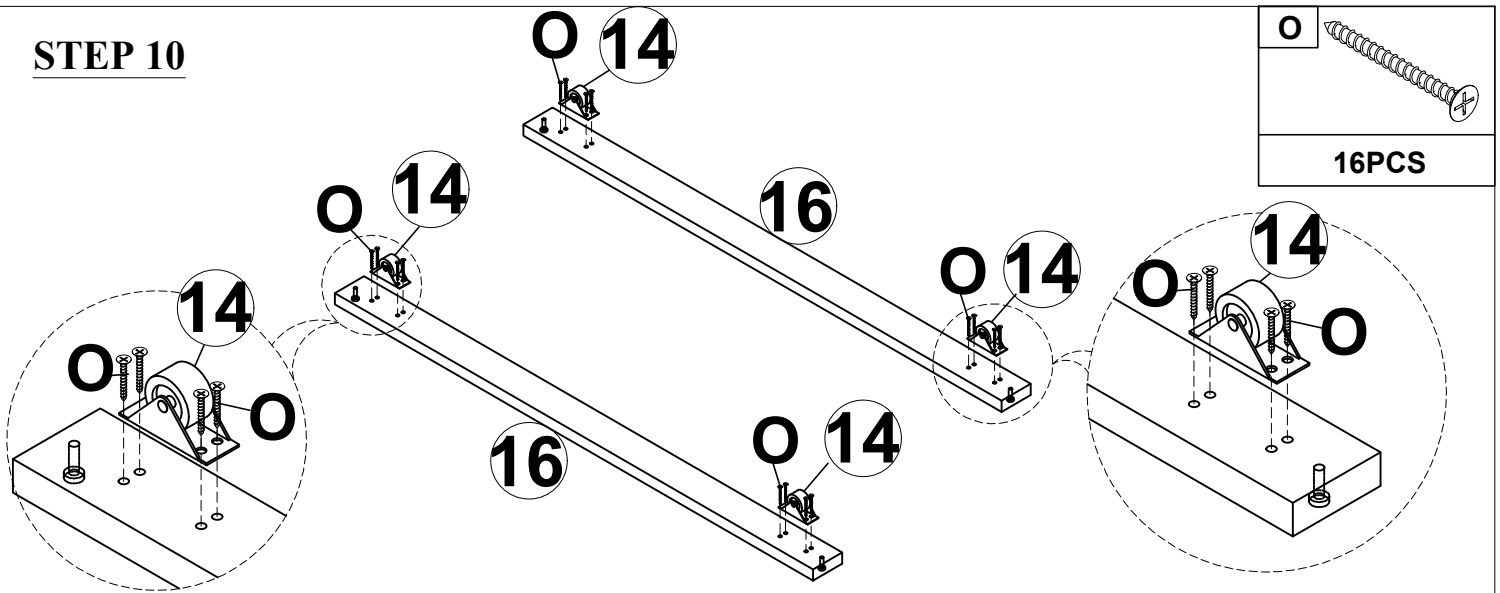
STEP 9



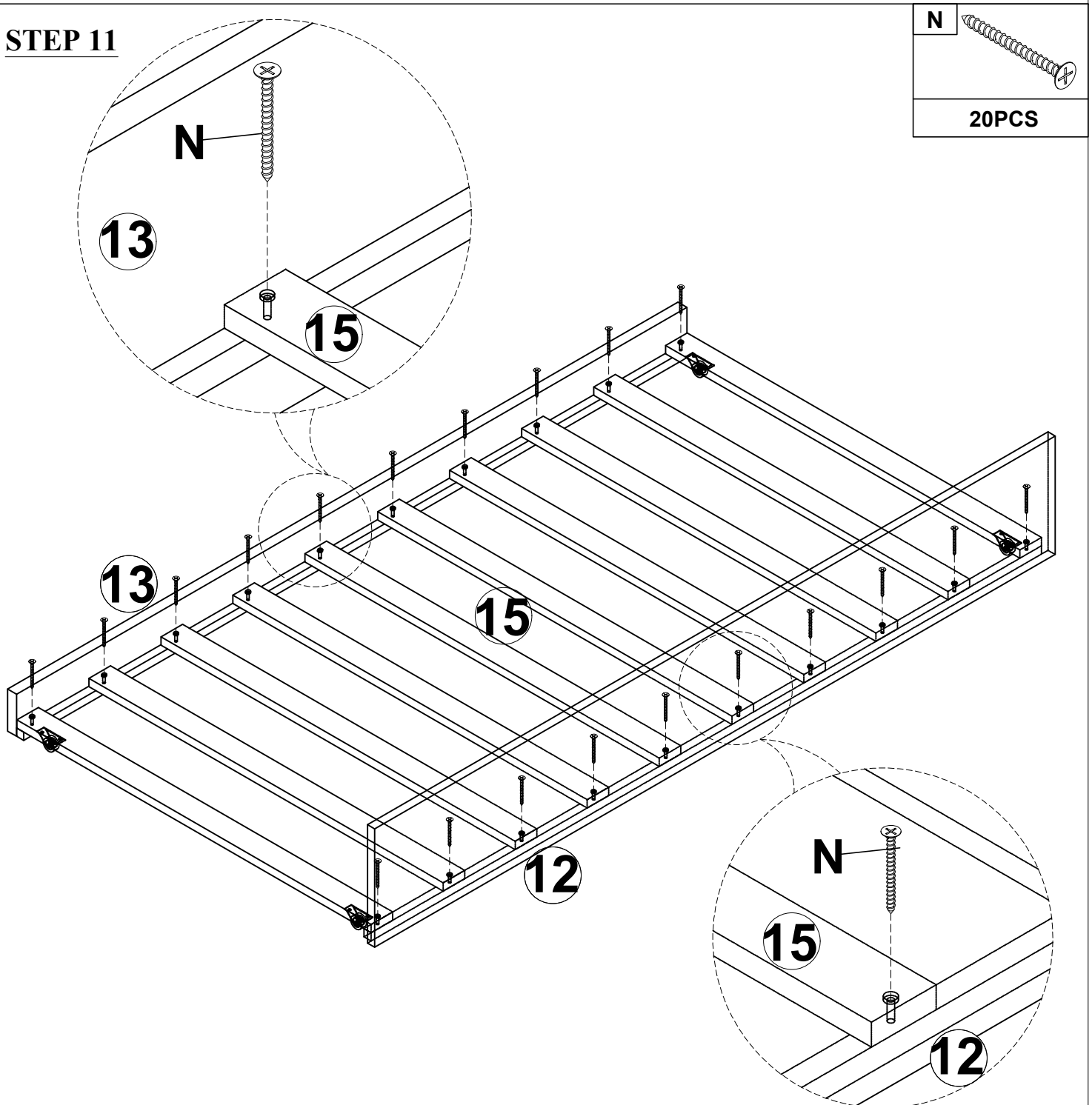
20PCS



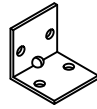

STEP 10

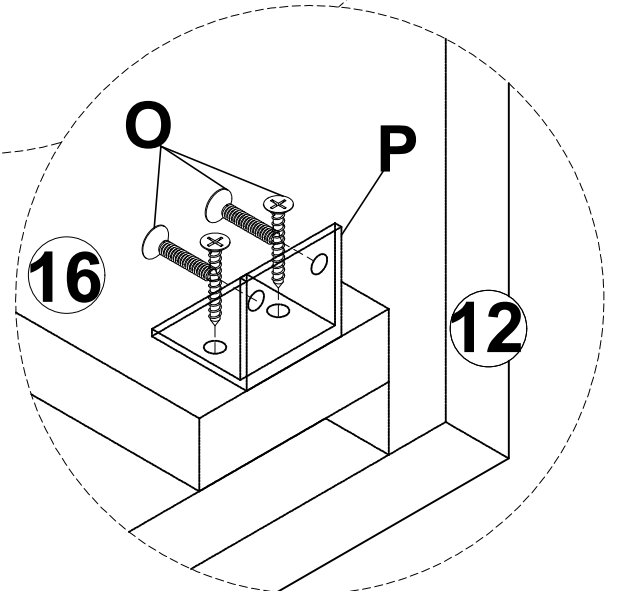
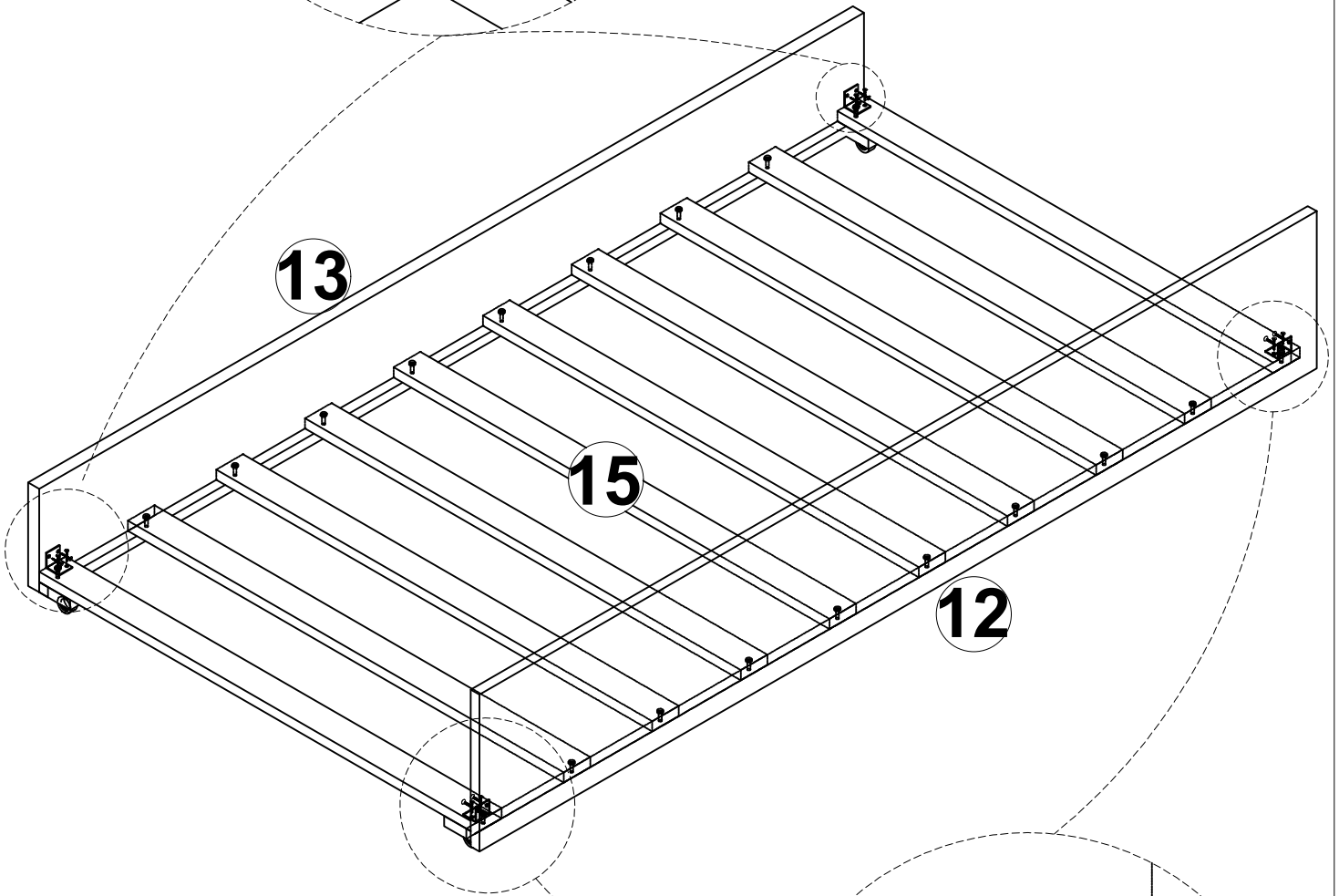
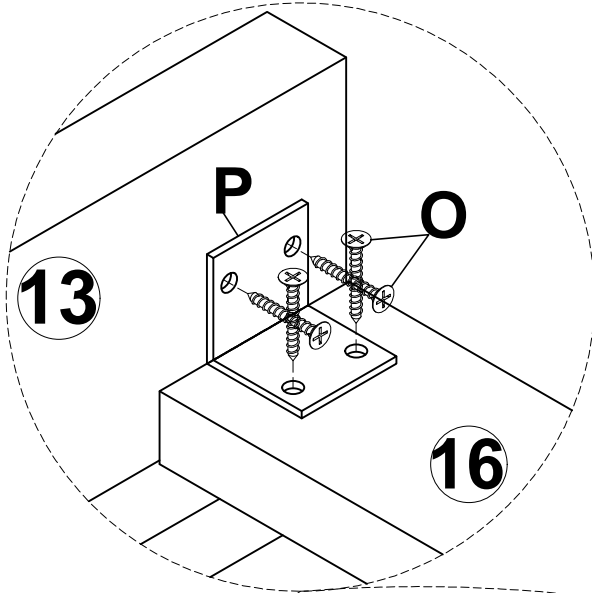


STEP 11

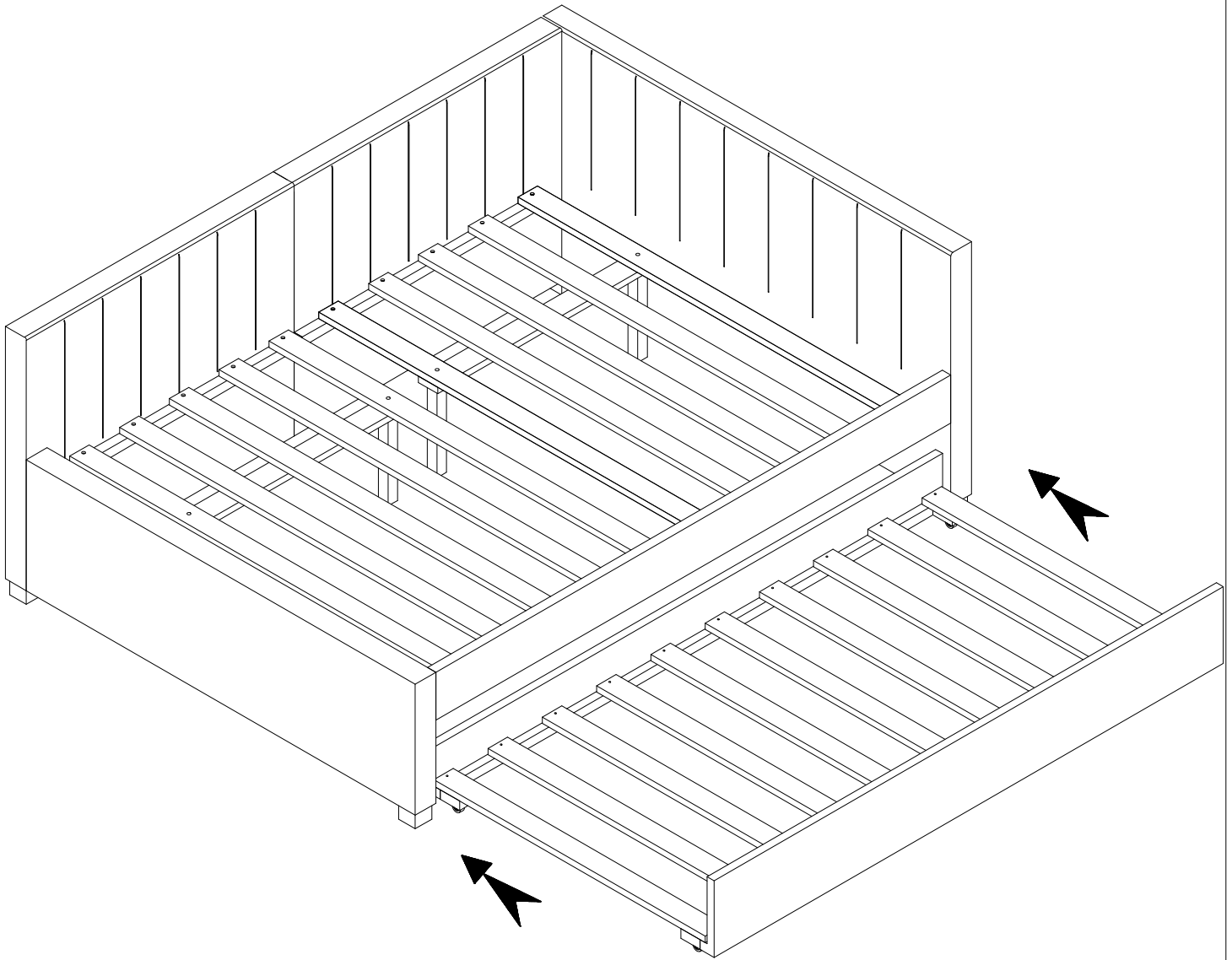


STEP 12

P		O	
4PCS		16PCS	



STEP 12



STEP 13

