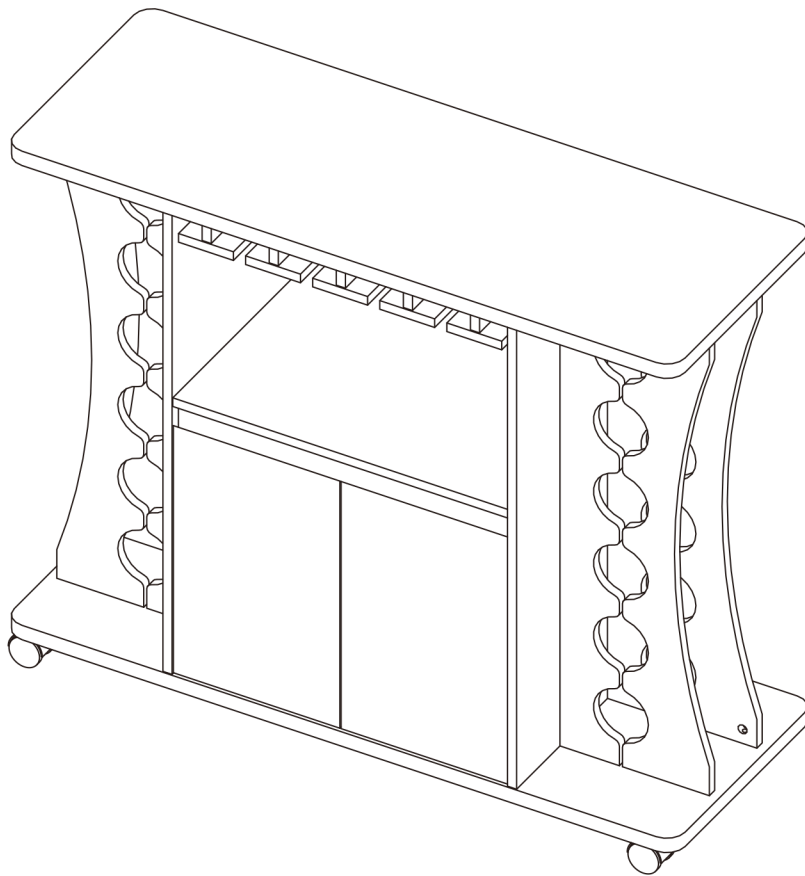


ASSEMBLY INSTRUCTIONS



TOOLS REQUIRED



**Phillips
Screwdriver**

(Not Included)



**2 - People
Recommended**

ASSEMBLY RATING



EASY —————> DIFFICULT

The Assembly Rating is a 5-point system showing the level of effort needed to assemble a specific product.



CHECK BEFORE STARTING



Are you missing anything?

Double-check all parts, hardware and accessories listed on Page 6 are accounted for.



Check out our Quick Tips!

We recommend reviewing the pre-assembly handouts. Even experts need a refresher now and then!



Prep Time!

Please review the assembly instructions and all diagrams prior to assembling. Arrange parts as recommended on Page 7 and group identical hardware together to make assembling easier.

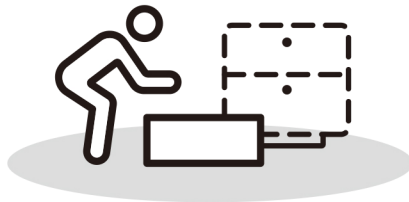
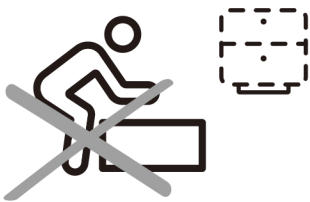
PRE ASSEMBLY INTRODUCTION

We understand building ready-to-assemble furniture can be a challenging experience for some. To help avoid confusion, we have provided some helpful tips that may speed up the process.



Teamwork

ALWAYS have at least two people to help with transporting and assembling the product to avoid potential injury and/or damage.



Suitable Location

Assembling near the area of the intended location is highly recommended.



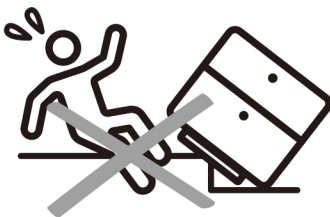
Sufficient Space

Make sure you have enough space to move around during the assembly.



Avoid Scratches

Use cardboard, blankets or a carpeted area while assembling furniture to prevent scratches.



Flat Surface

Make sure the furniture rests on a flat and level surface with each leg evenly touching the floor.

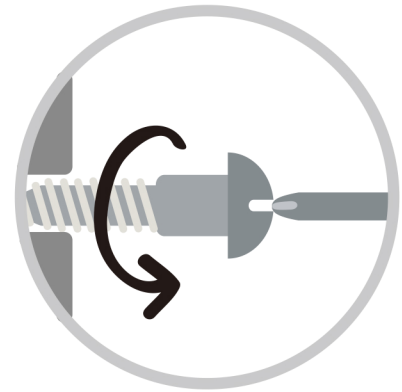
ASSEMBLY AND CARE ADVICE



**FAILURE TO FOLLOW THE GUIDELINES BELOW MAY
RESULT IN INJURY AND/OR PROPERTY DAMAGE.**



Position each part correctly
and insert screws or bolts into
their respective holes.



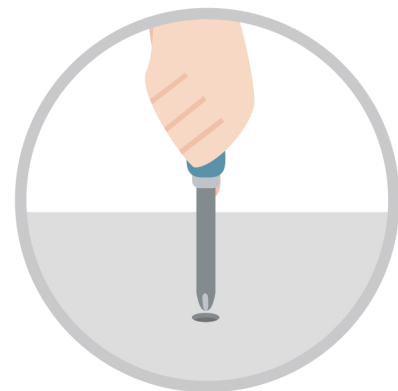
Turn clockwise to tighten and
only tighten when step is
completed or when instructed
to do so.



Use the appropriate hand tools
or power tools for assembly.
Select steps, such as tightening
screws and/or bolts, may require
hand tools to avoid causing
damage during assembly.



Save the instructions and store
any supplied tools for later
maintenance.



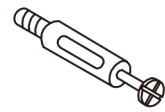
After two weeks, check and
tighten any loose hardware and
repeat again every six months
thereafter.

IT IS THE USER'S RESPONSIBILITY TO MAINTAIN THE FURNITURE. THE HARDWARE MAY LOOSEN OVER TIME AND MAY CAUSE THE FURNITURE TO BE WOBBLY AND UNABLE TO SUPPORT ITS INTENDED WEIGHT CAPACITY. THIS MAY LEAD TO COLLAPSE AND MAY CAUSE SERIOUS INJURY.

CAM LOCK FASTENER ASSEMBLY INSTRUCTIONS

Note :

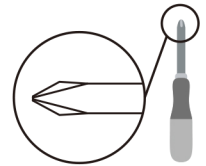
Every cam lock bolt must have a cam lock connector in order to fasten the parts together.



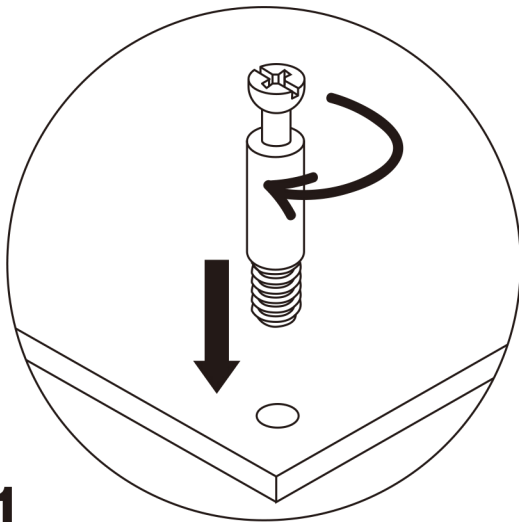
cam bolt



cam lock

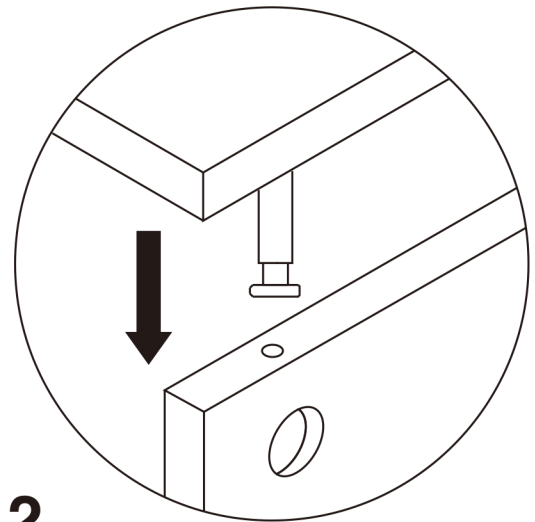


screwdriver



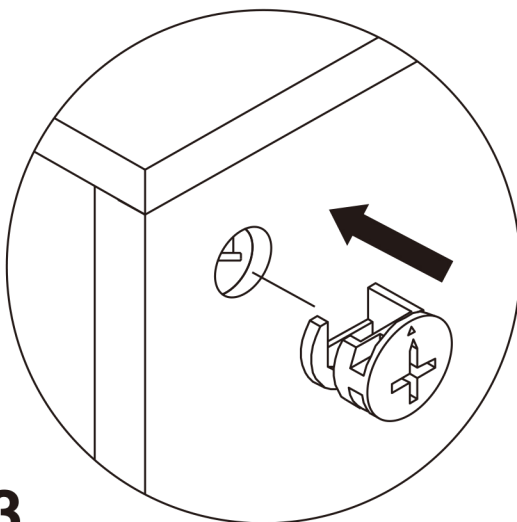
1

Screw the cam bolt into panel.



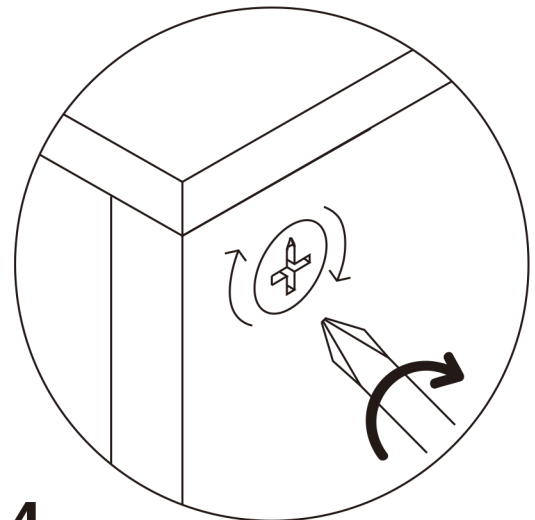
2

Insert the cam bolt into the bolt hole of joint panel.



3

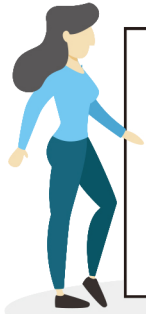
Align the cam lock with its side opening (or arrow) pointing to cam bolt.



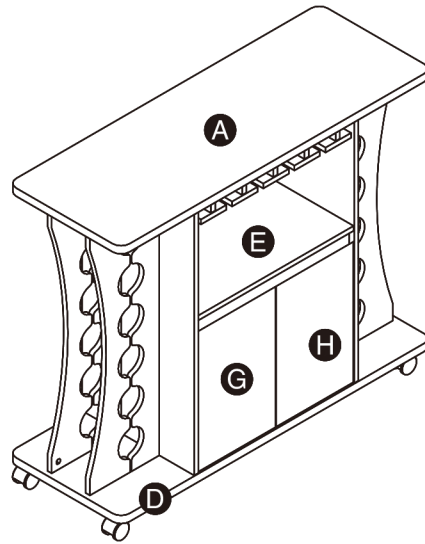
4

Turn the cam lock clockwise gently until it will not turn any more.

BUFFET BAR TABLE

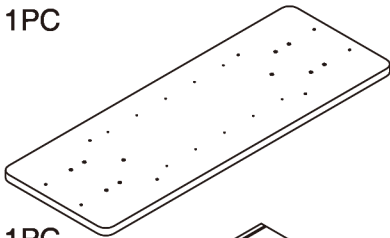


- Please keep instructions for future reference.
- Check the quantity and irregularity of parts and hardware before you start.

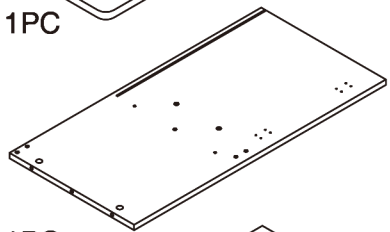


PARTS

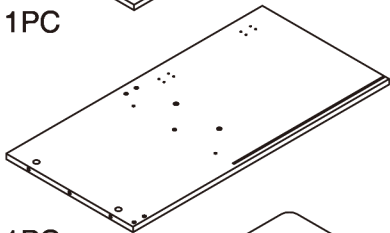
A 1PC



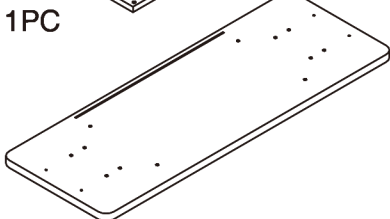
B 1PC



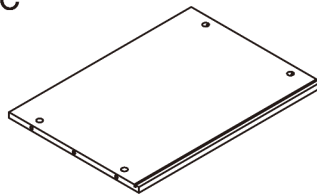
C 1PC



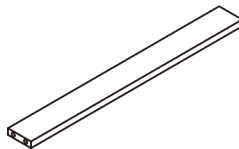
D 1PC



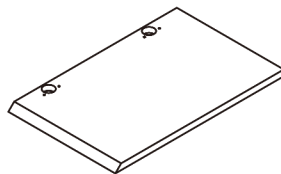
E 1PC



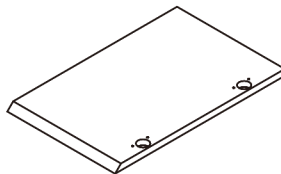
F 2PCS



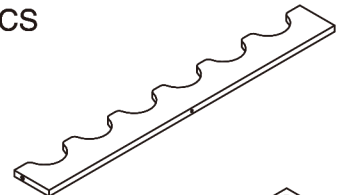
G 1PC



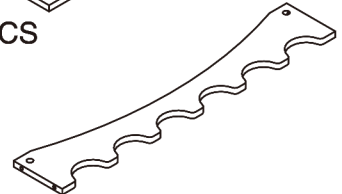
H 1PC



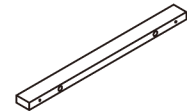
I 4PCS



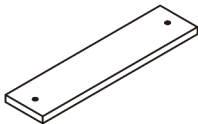
J 4PCS



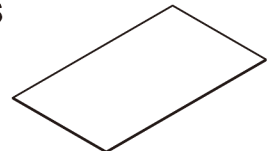
K 5PCS



L 5PCS



M 2PCS



HARDWARE

① 16PCS ② 16PCS ③ 28PCS ④ 20PCS



⑤ 8PCS ⑥ 4PCS ⑦ 16PCS ⑧ 1PC



ACCESSORIES

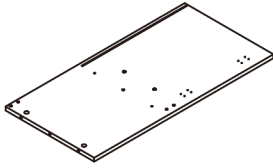
A1 5PCS A2 20PCS A3 1PC A4 8PCS A5 1PC



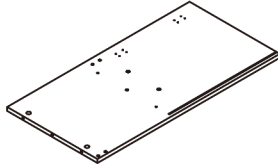
GET READY

Please group boards as below.

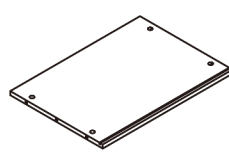
B 1PC



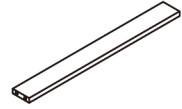
C 1PC



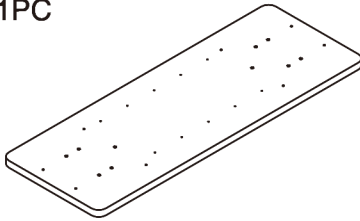
E 1PC



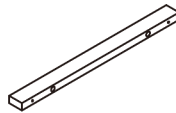
F 2PCS



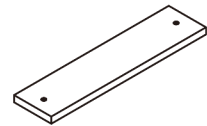
A 1PC



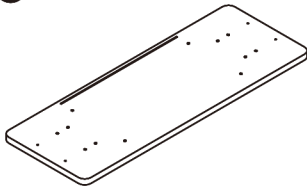
K 5PCS



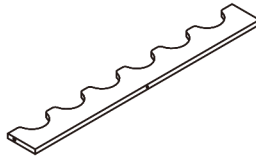
L 5PCS



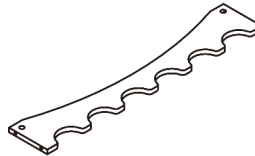
D 1PC



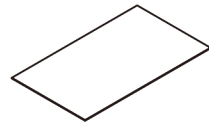
I 4PCS



J 4PCS

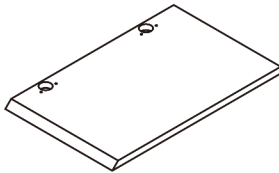


M 2PCS

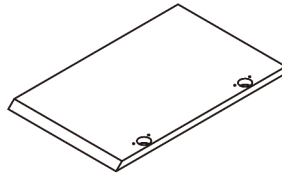


Body

G 1PC



H 1PC

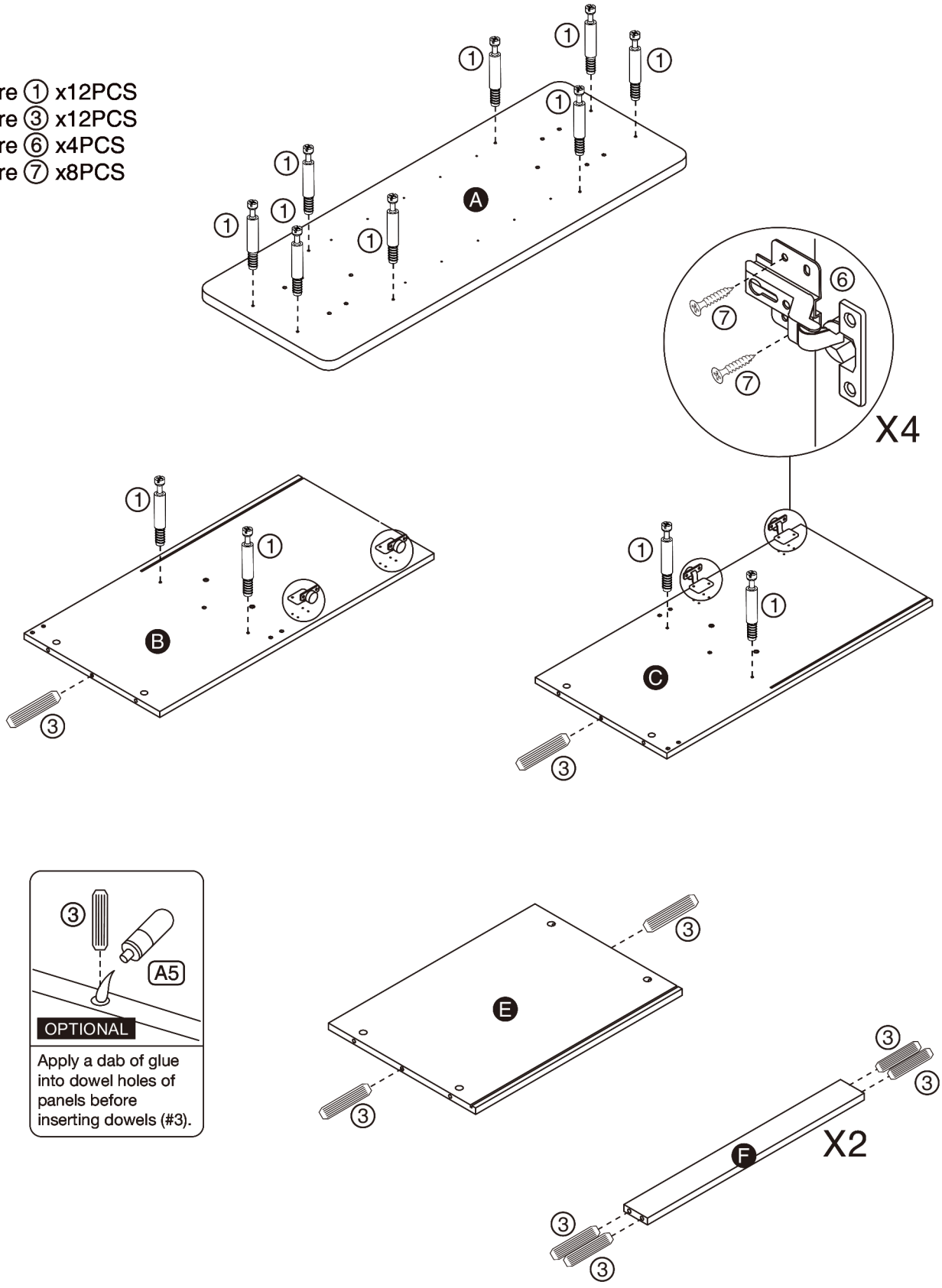


Door

ASSEMBLY INSTRUCTIONS

1

- Hardware ① x12PCS
- Hardware ③ x12PCS
- Hardware ⑥ x4PCS
- Hardware ⑦ x8PCS



OPTIONAL

A5

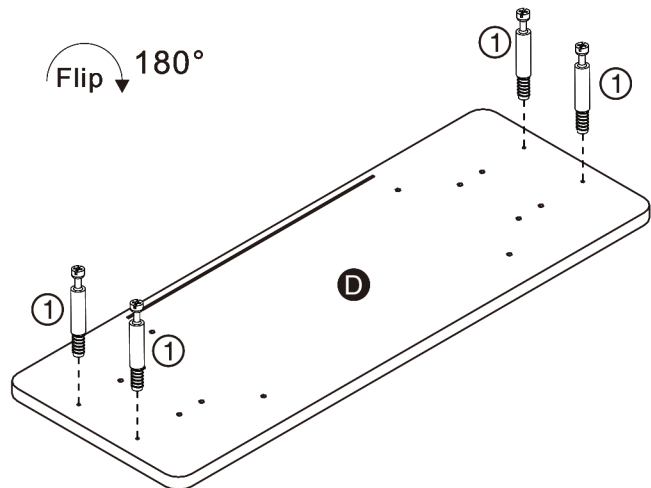
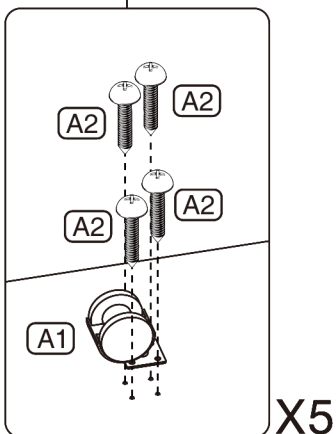
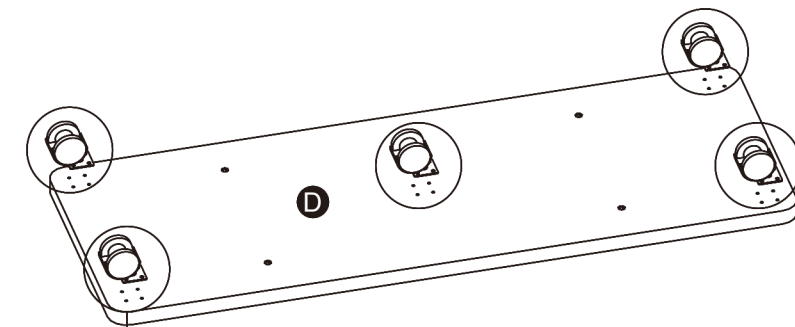
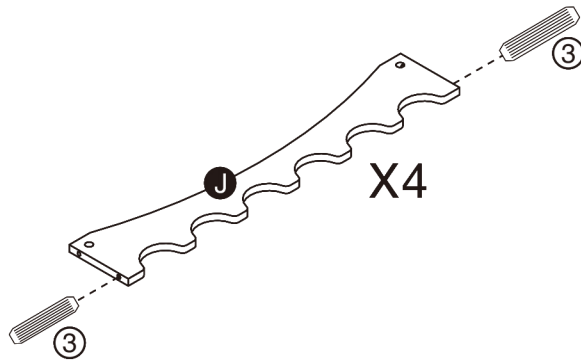
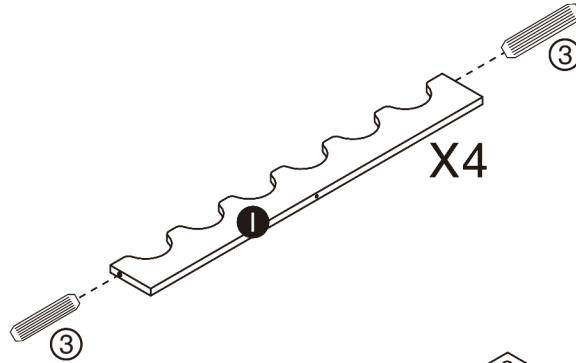
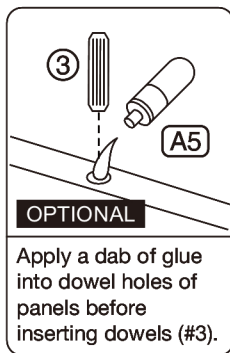
Apply a dab of glue into dowel holes of panels before inserting dowels (#3).

ASSEMBLY INSTRUCTIONS

2

Hardware ① x4PCS
Hardware ③ x16PCS

Accessory A1 x5PCS
Accessory A2 x20PCS

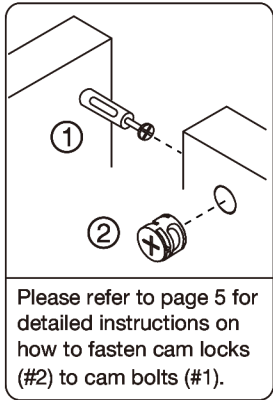
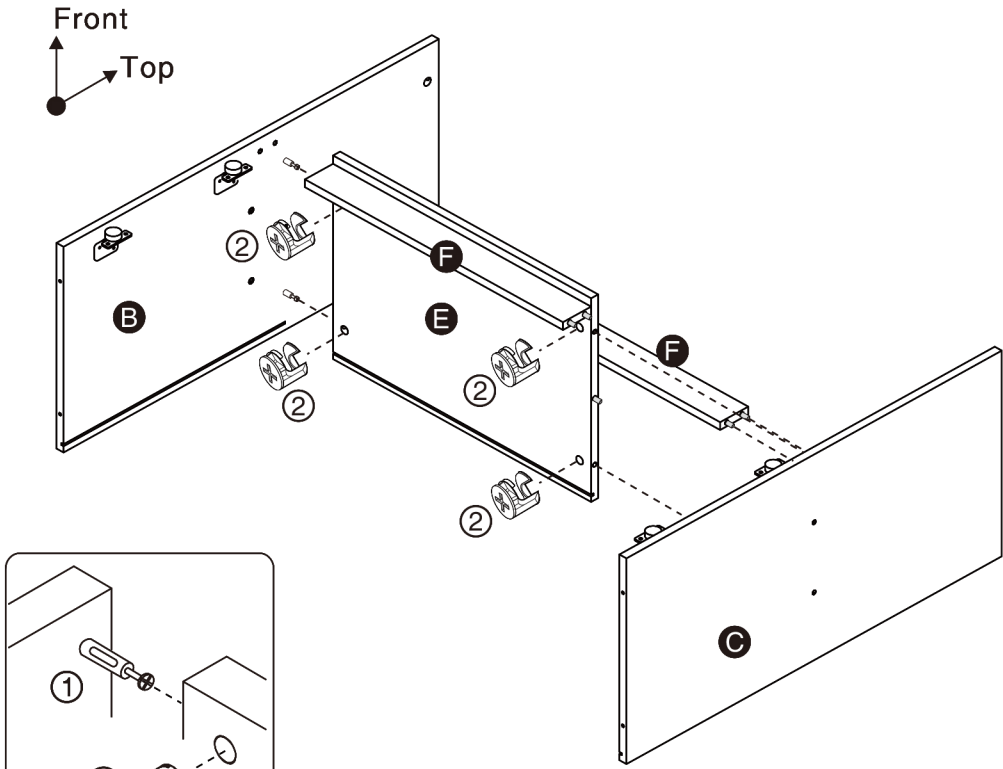


ASSEMBLY INSTRUCTIONS

3

- Part **B** x1PC
- Part **C** x1PC
- Part **E** x1PC
- Part **F** x2PCS

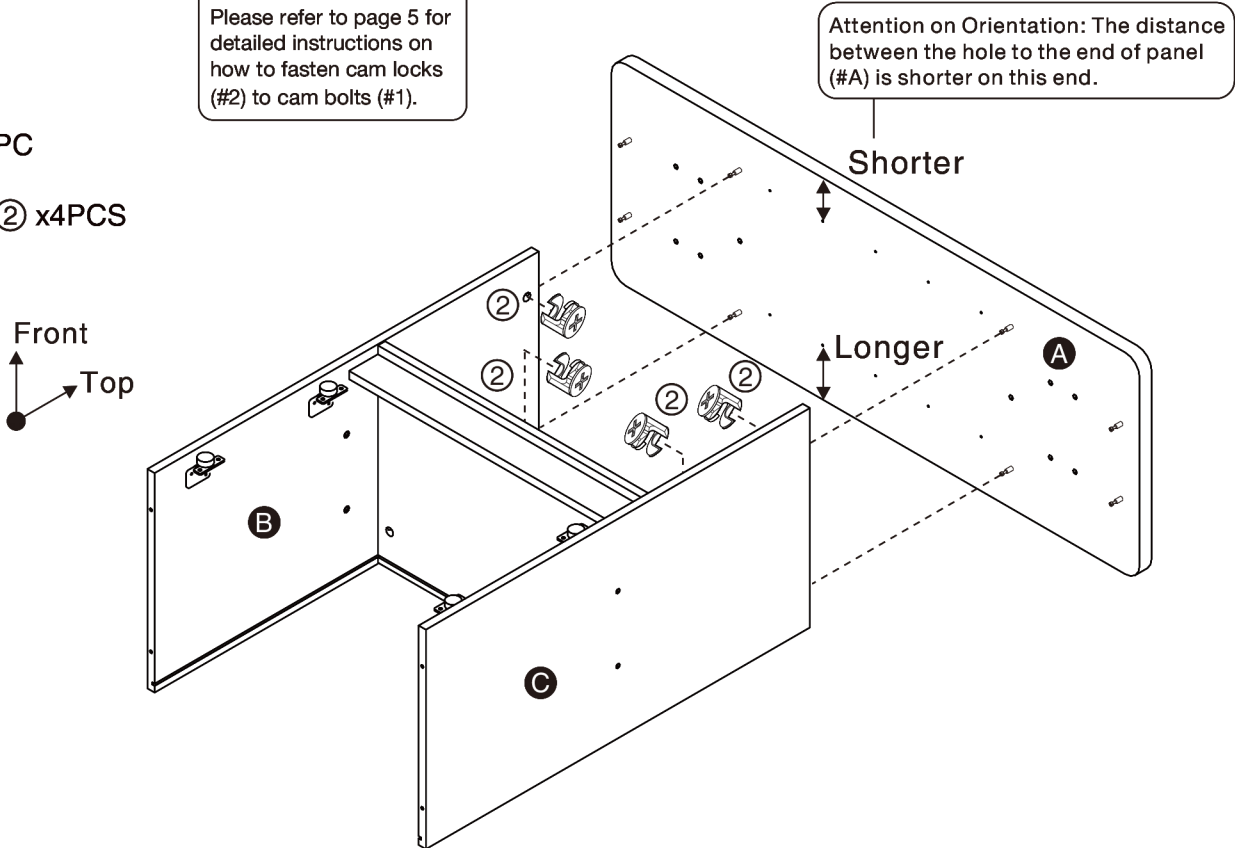
Hardware ② x4PCS



4

- Part **A** x1PC

Hardware ② x4PCS

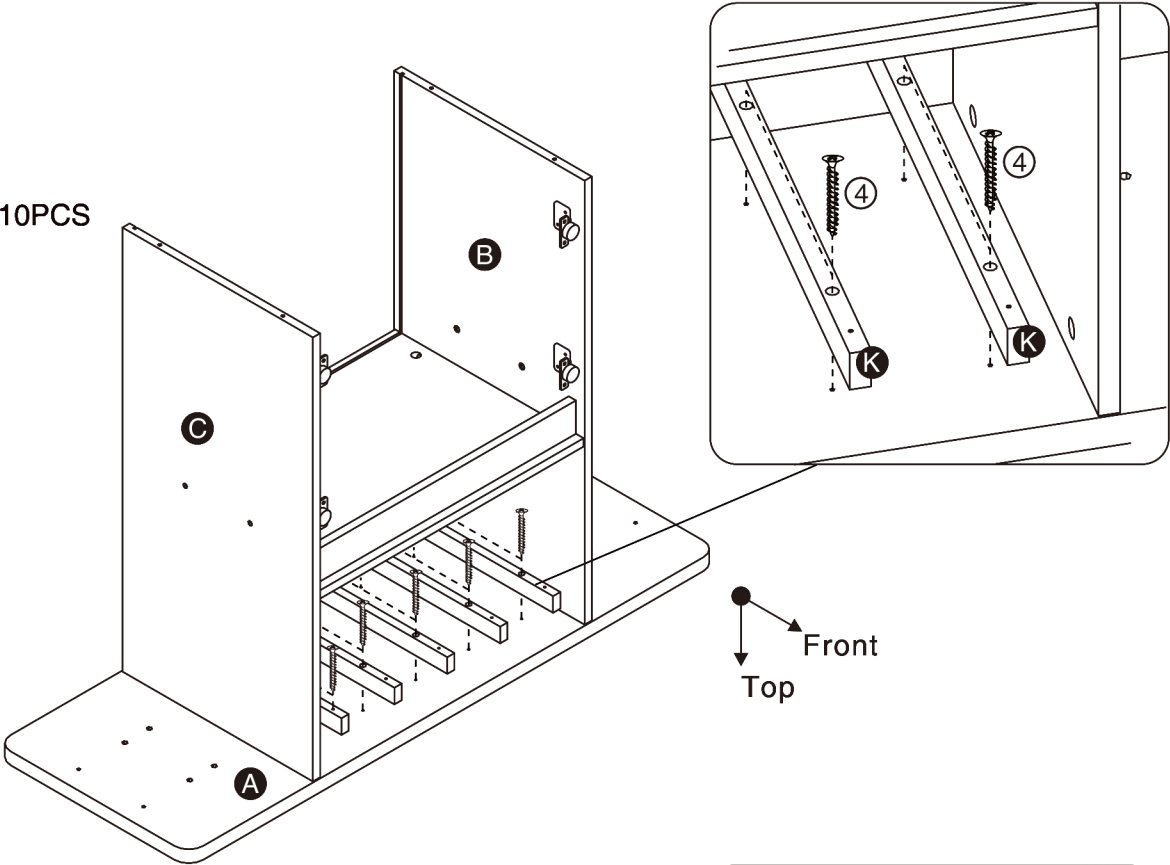


ASSEMBLY INSTRUCTIONS

5

Part **K** x5PCS

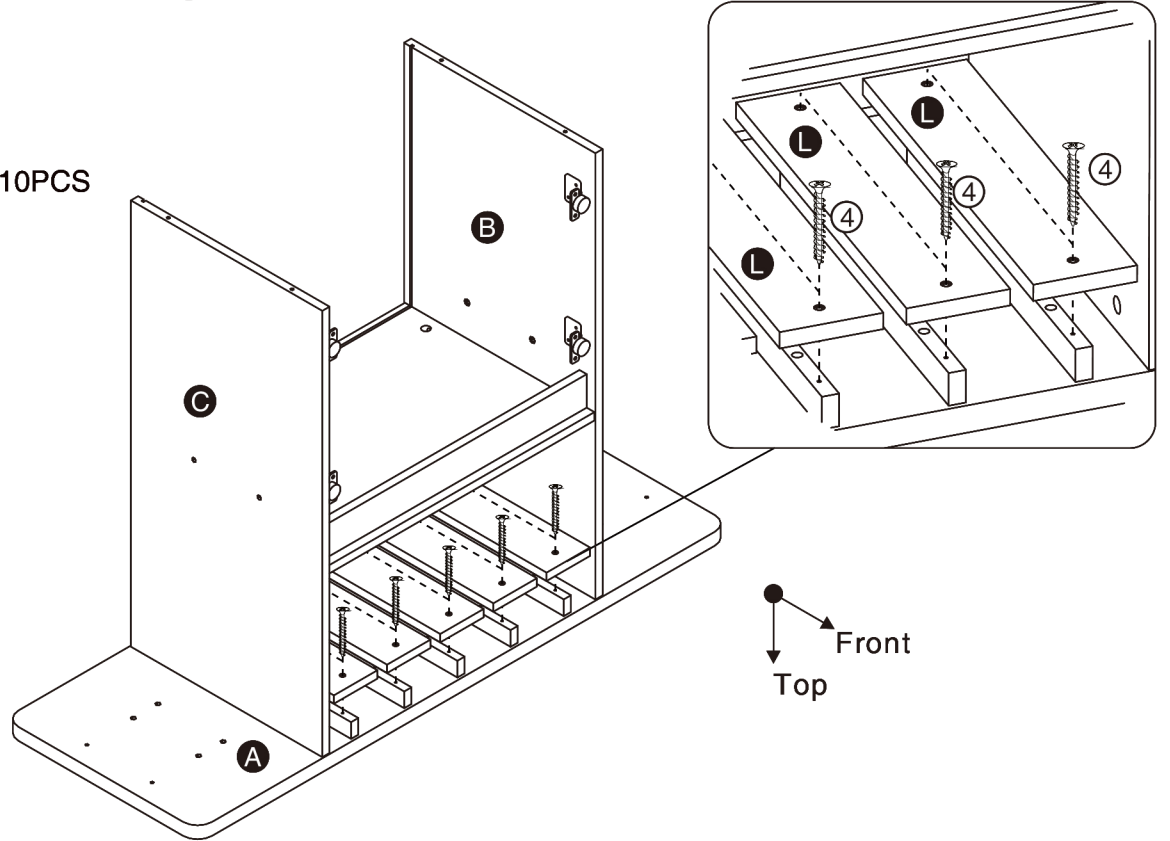
Hardware **④** x10PCS



6

Part **L** x5PCS

Hardware **④** x10PCS



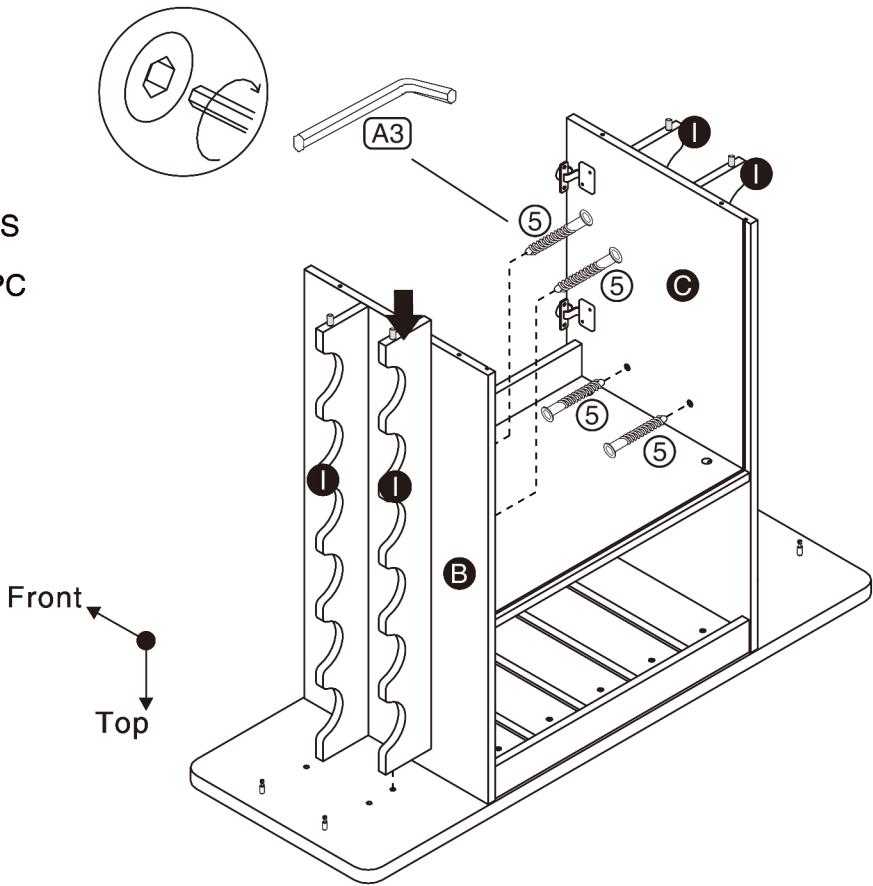
ASSEMBLY INSTRUCTIONS

7

Part ① x4PCS

Hardware ⑤ x4PCS

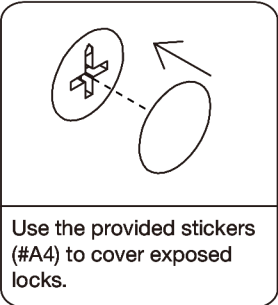
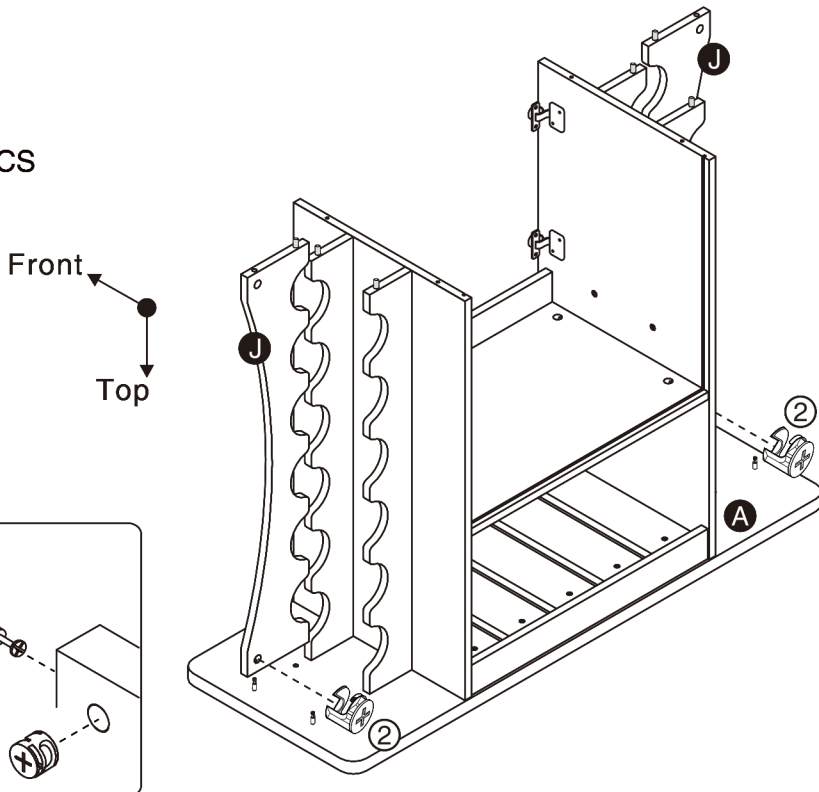
Accessory A3 x1PC



8

Part ① x2PCS

Hardware ② x2PCS



Use the provided stickers (#A4) to cover exposed locks.

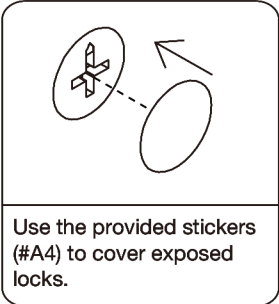
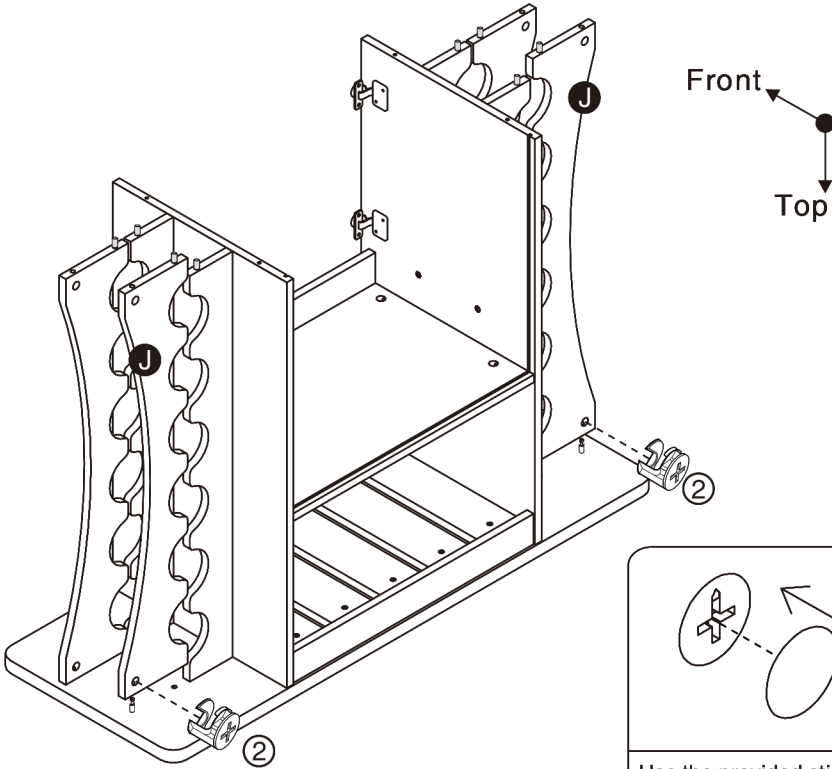
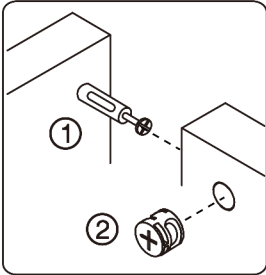
X2

ASSEMBLY INSTRUCTIONS

9

Part **J** x2PCS

Hardware **2** x2PCS



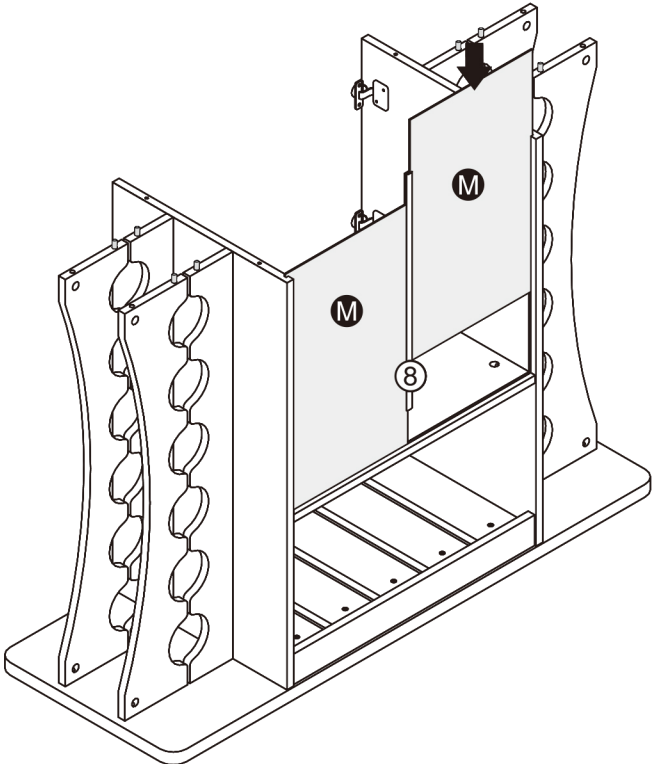
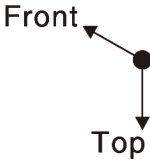
Use the provided stickers (#A4) to cover exposed locks.

X2

10

Part **M** x2PCS

Hardware **8** x1PC



ASSEMBLY INSTRUCTIONS

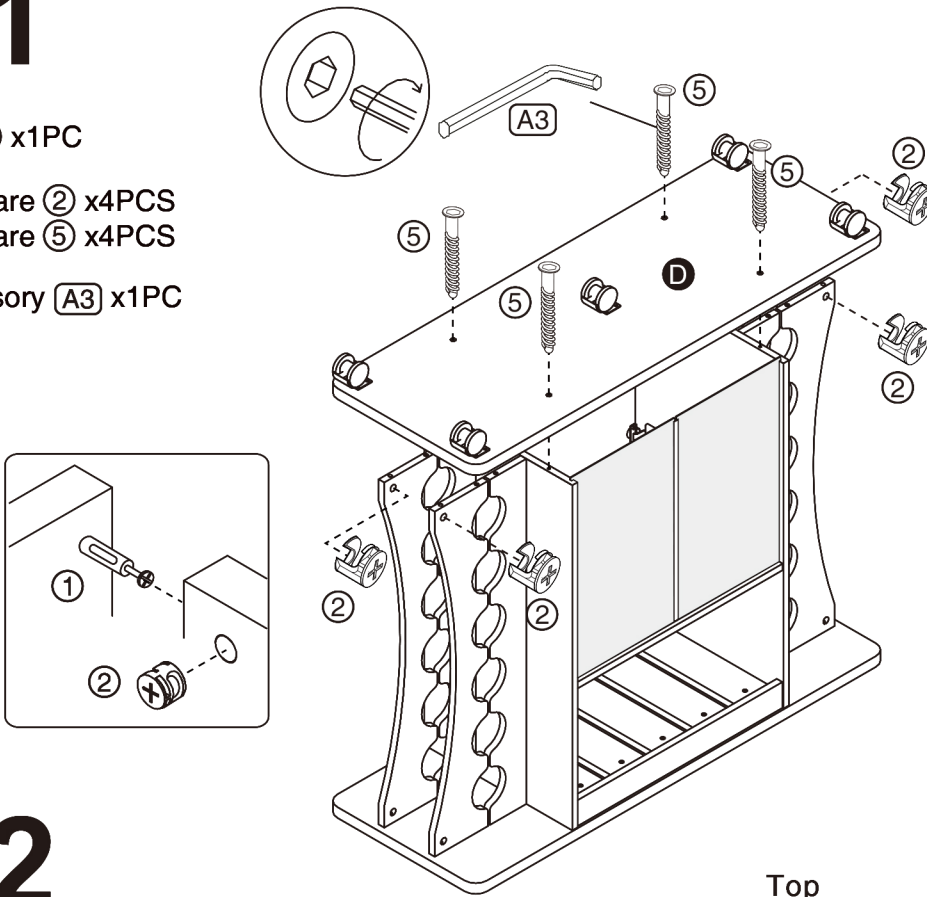
11

Part **D** x1PC

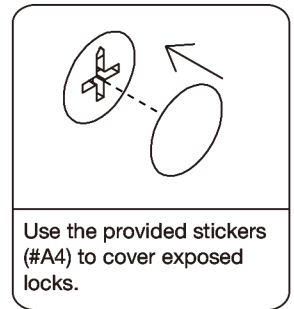
Hardware **2** x4PCS

Hardware **5** x4PCS

Accessory **A3** x1PC



Front
Top



Use the provided stickers (#A4) to cover exposed locks.

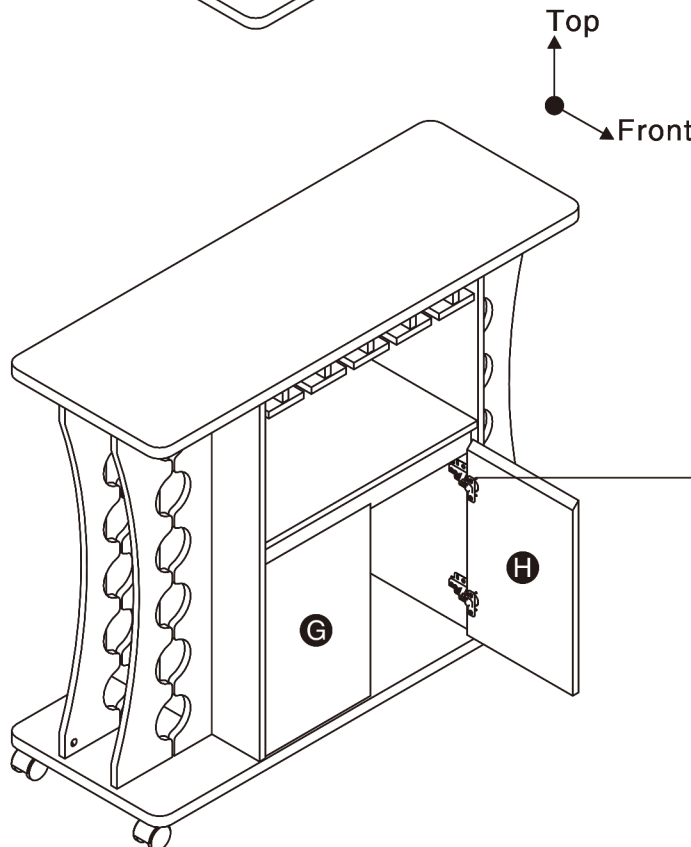
X4

12

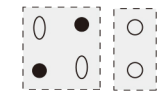
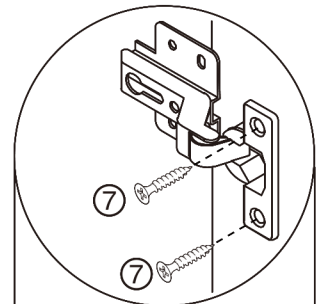
Part **G** x1PC

Part **H** x1PC

Hardware **7** x8PCS



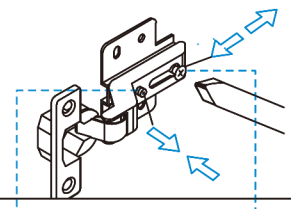
Top
Front



HOLE USAGE

Align screws with the darkened holes in the above diagram.

HINGE ADJUSTMENT



Depth Adjustment.
Length Adjustment.

X4

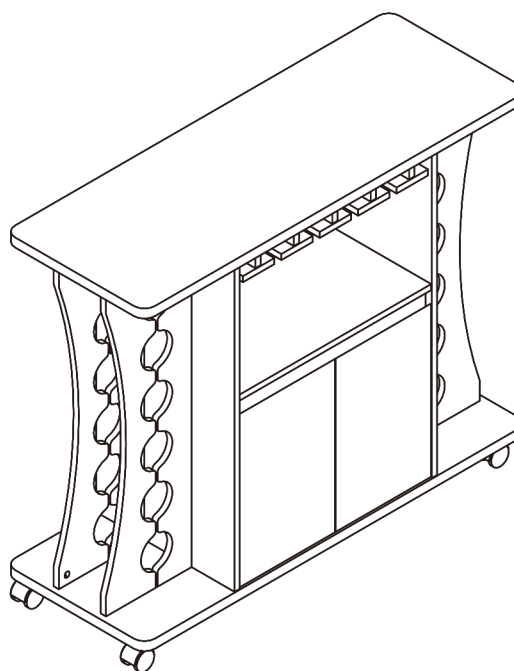
ASSEMBLY INSTRUCTIONS

13

ASSEMBLY COMPLETED



Please ensure the furniture rests on an even and flat surface. If the product wobbles or feels loose, double-check all bolts and/or screws are properly tightened and secured.



✓ **Keep this handy!**

Please retain this instruction manual and any order-related information for future reference.

✓ **Lift, don't drag!**

To avoid damage to product please always LIFT the product when transporting or adjusting the placement.