

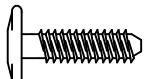
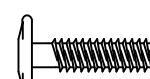

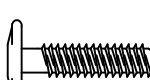
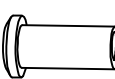


Assembly Sheet

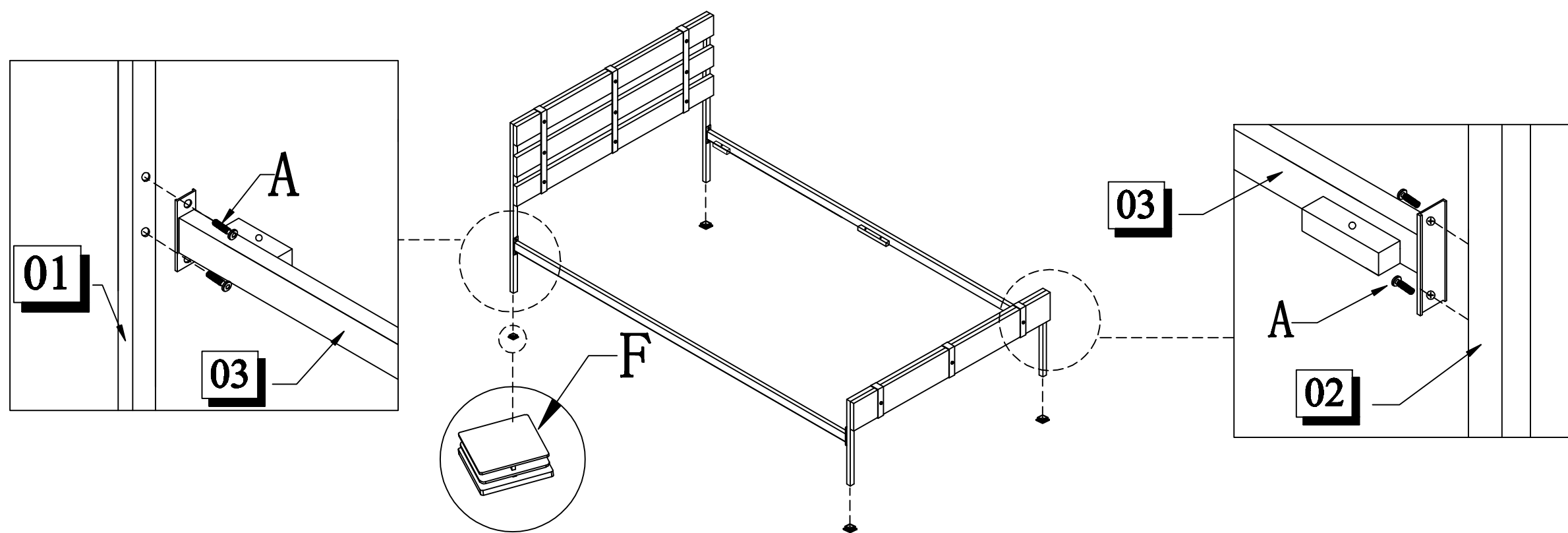
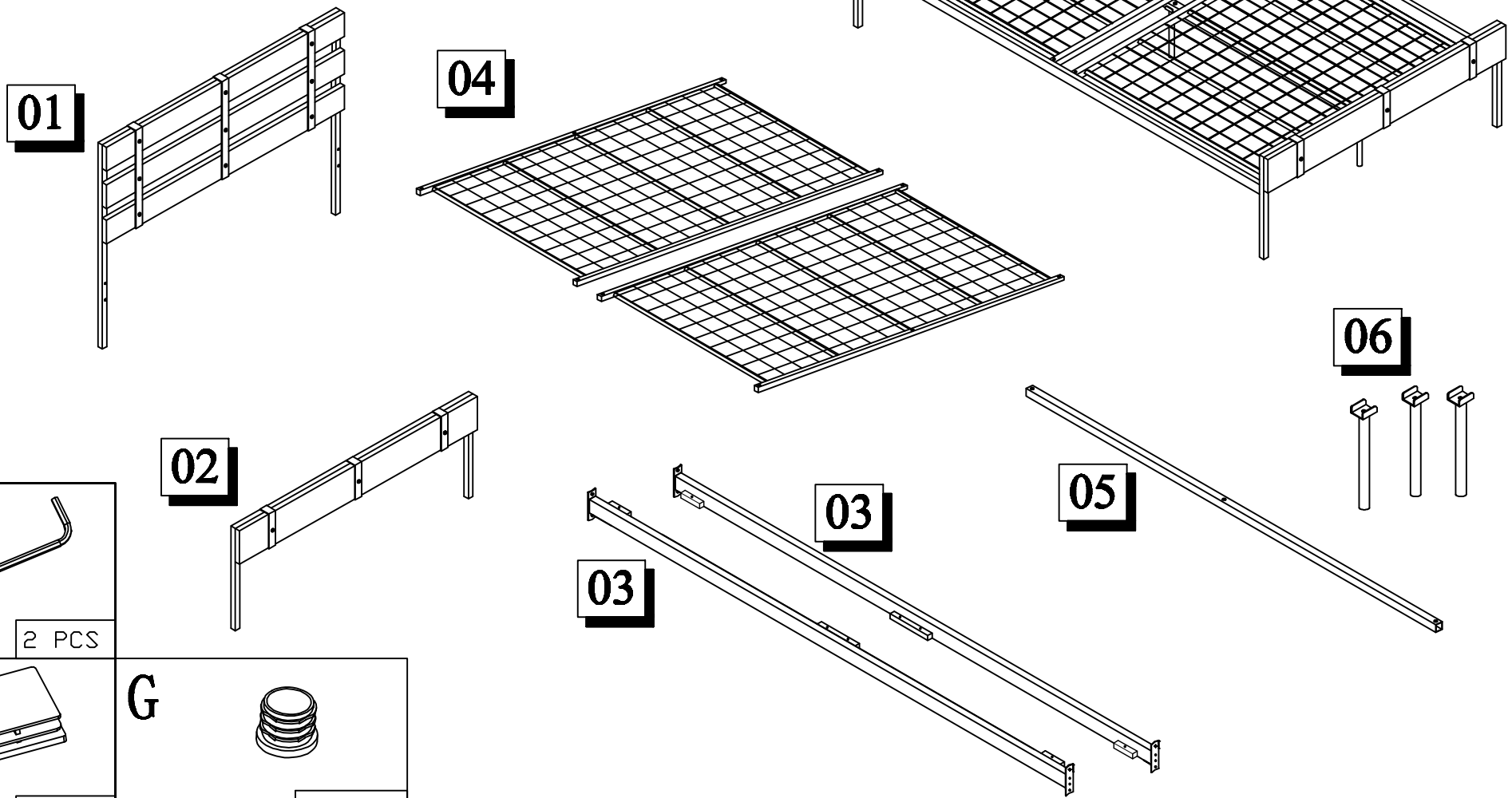
FULL BED

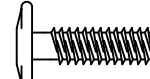

Parts List

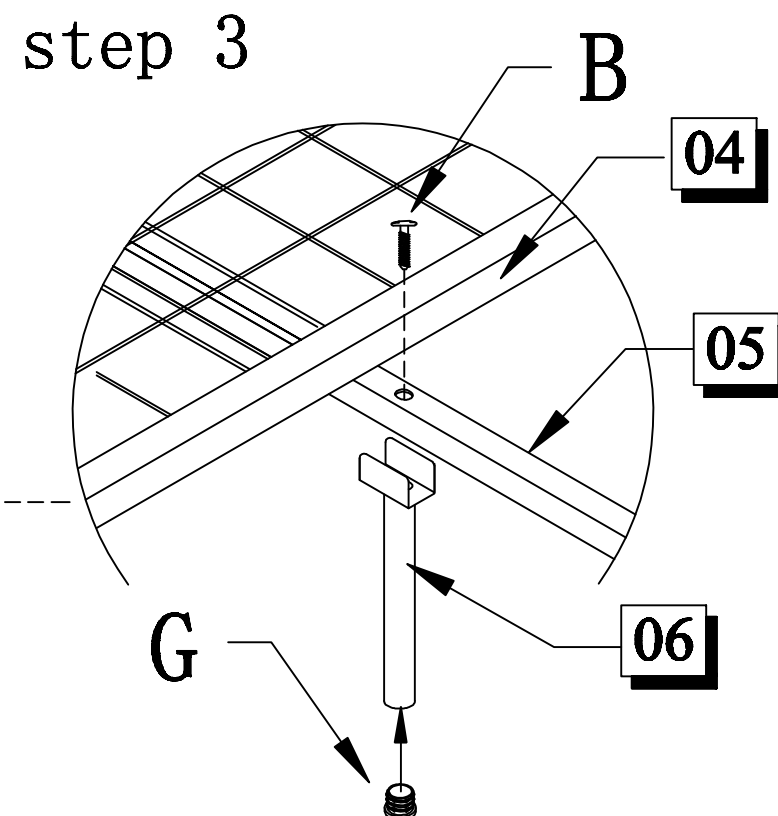
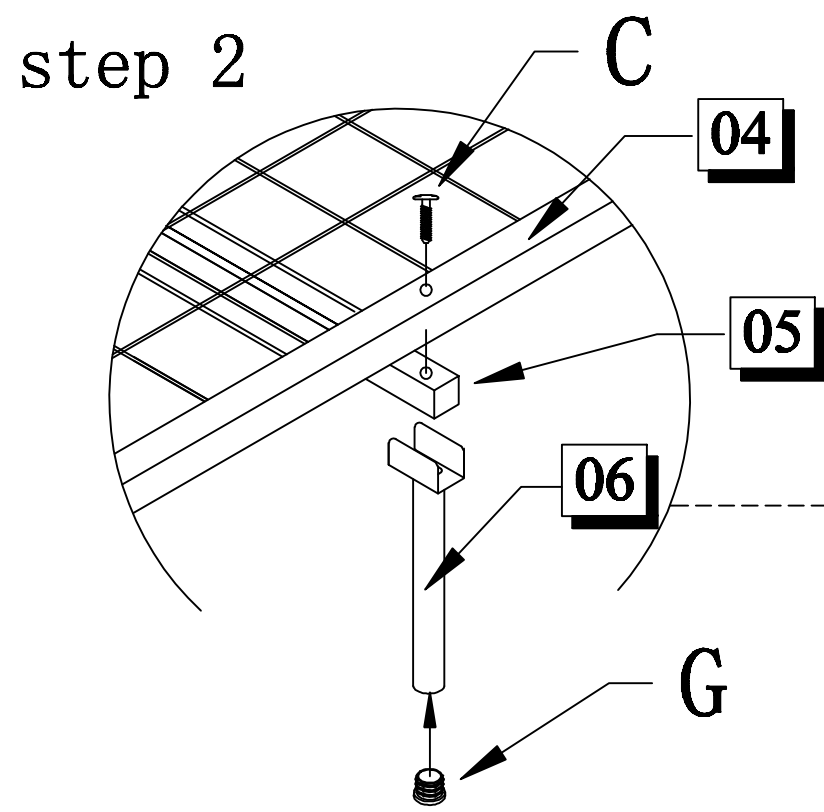
NO	Components	QTY
01	headboard	1
02	footboard	1
03	side rail	2
04	mesh	2
05	central rail	1
06	post	3

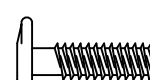
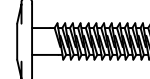
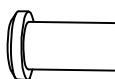

Hardware list

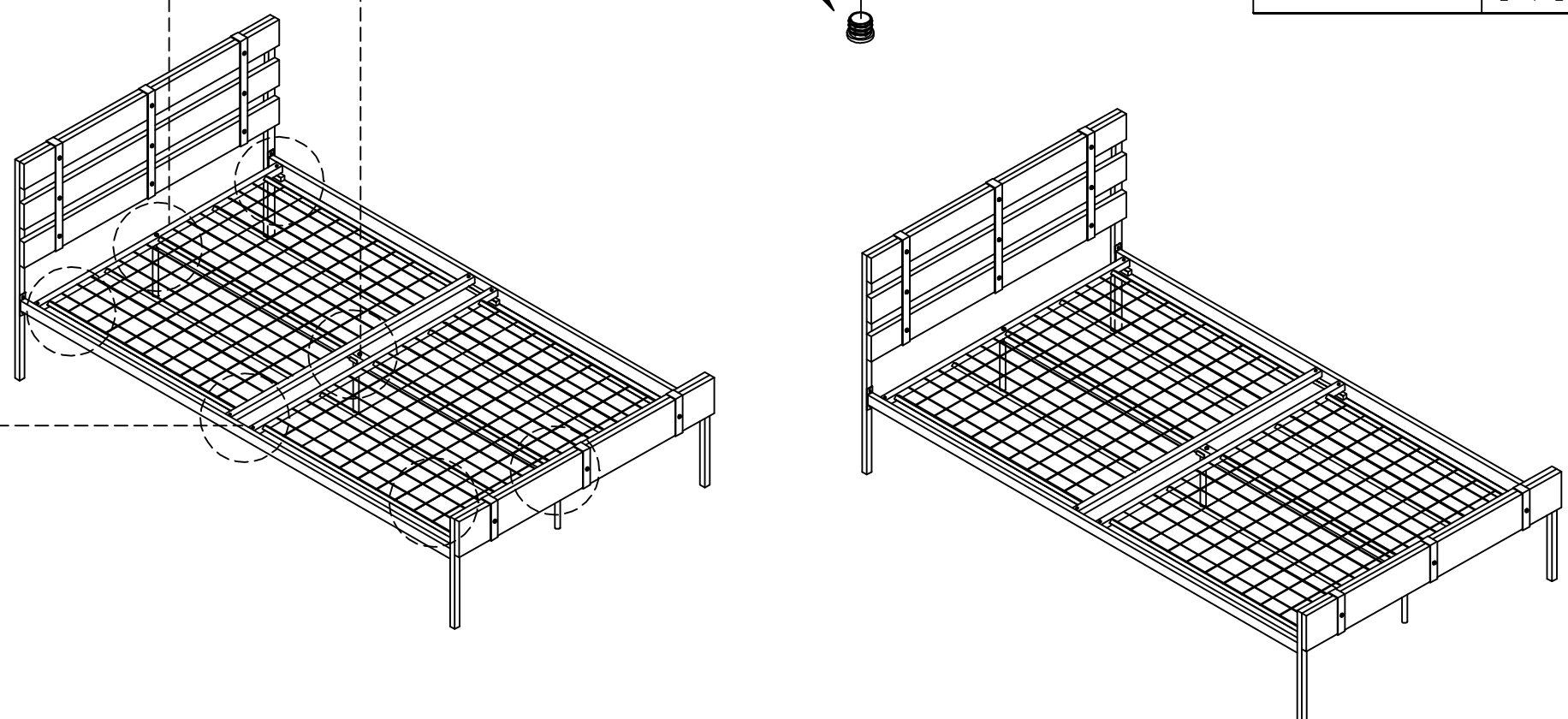
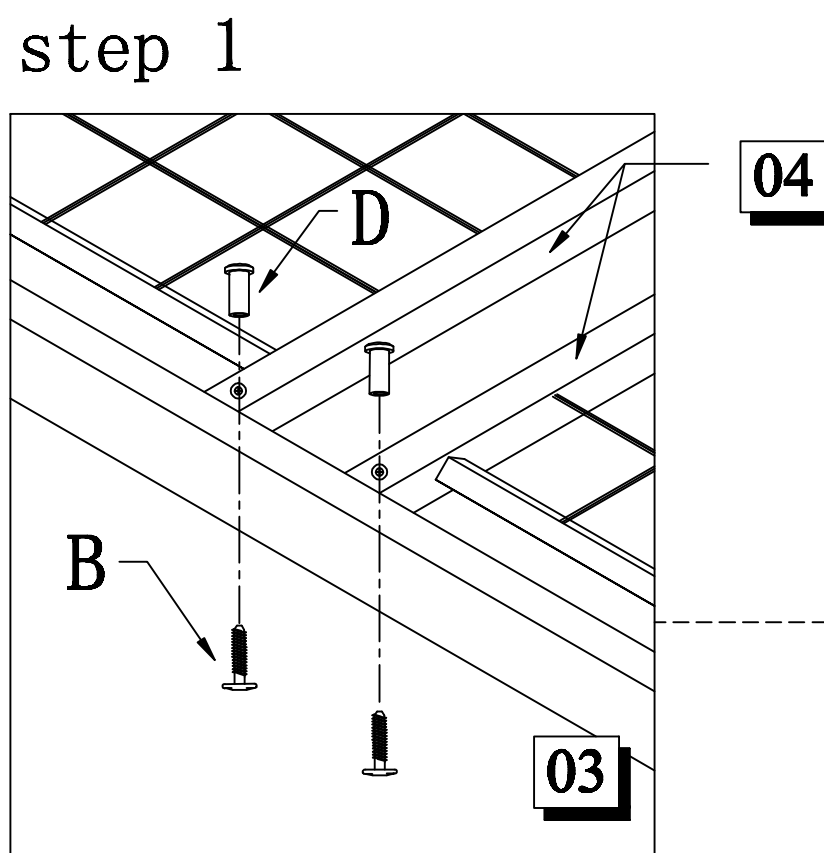
A		C		E	
M6 x 20MM	8 PCS	M6 x 60MM	2 PCS	4 x 4MM	2 PCS
B		D		F	
M6 x 35MM	9 PCS	M6	8 PCS	32*32	4 PCS
		G			
			∅19		3 PCS



A	
M6 x 20MM	8 PCS
F	
32*32	4 PCS



B	
M6 x 35MM	9 PCS
C	
M6 x 60MM	2 PCS
D	
M6	8 PCS
G	
∅19	3 PCS



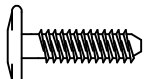
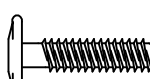

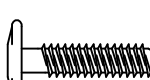
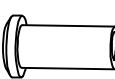


Assembly Sheet

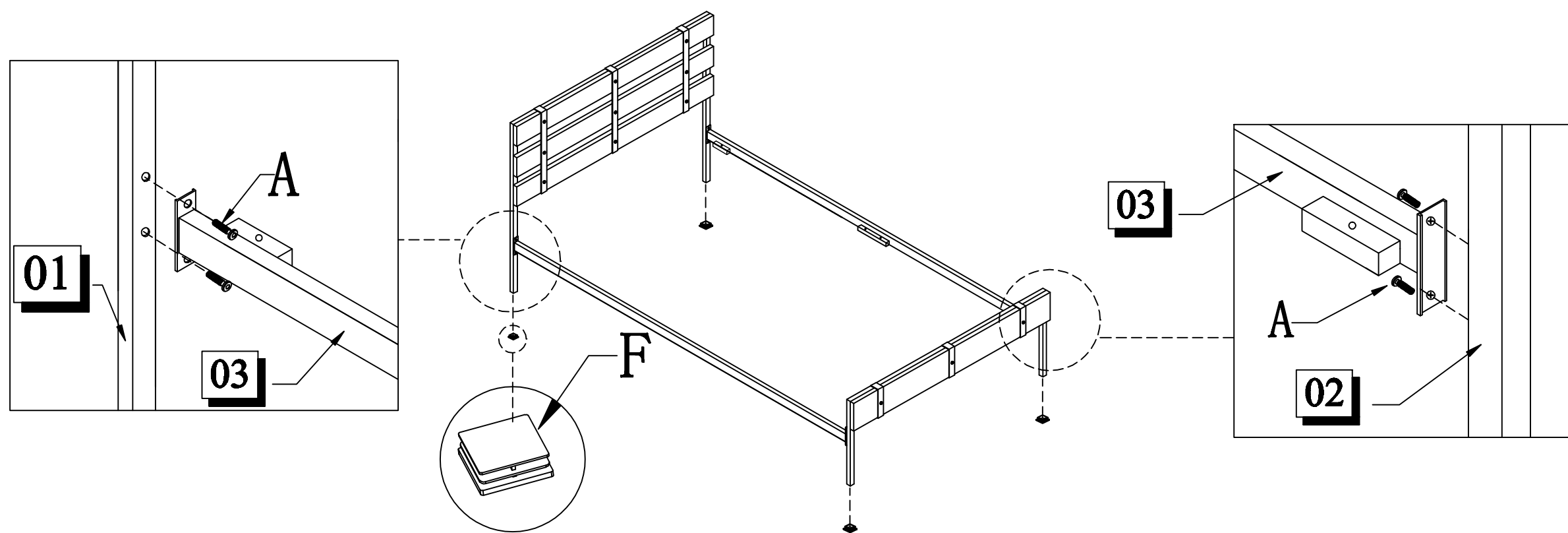
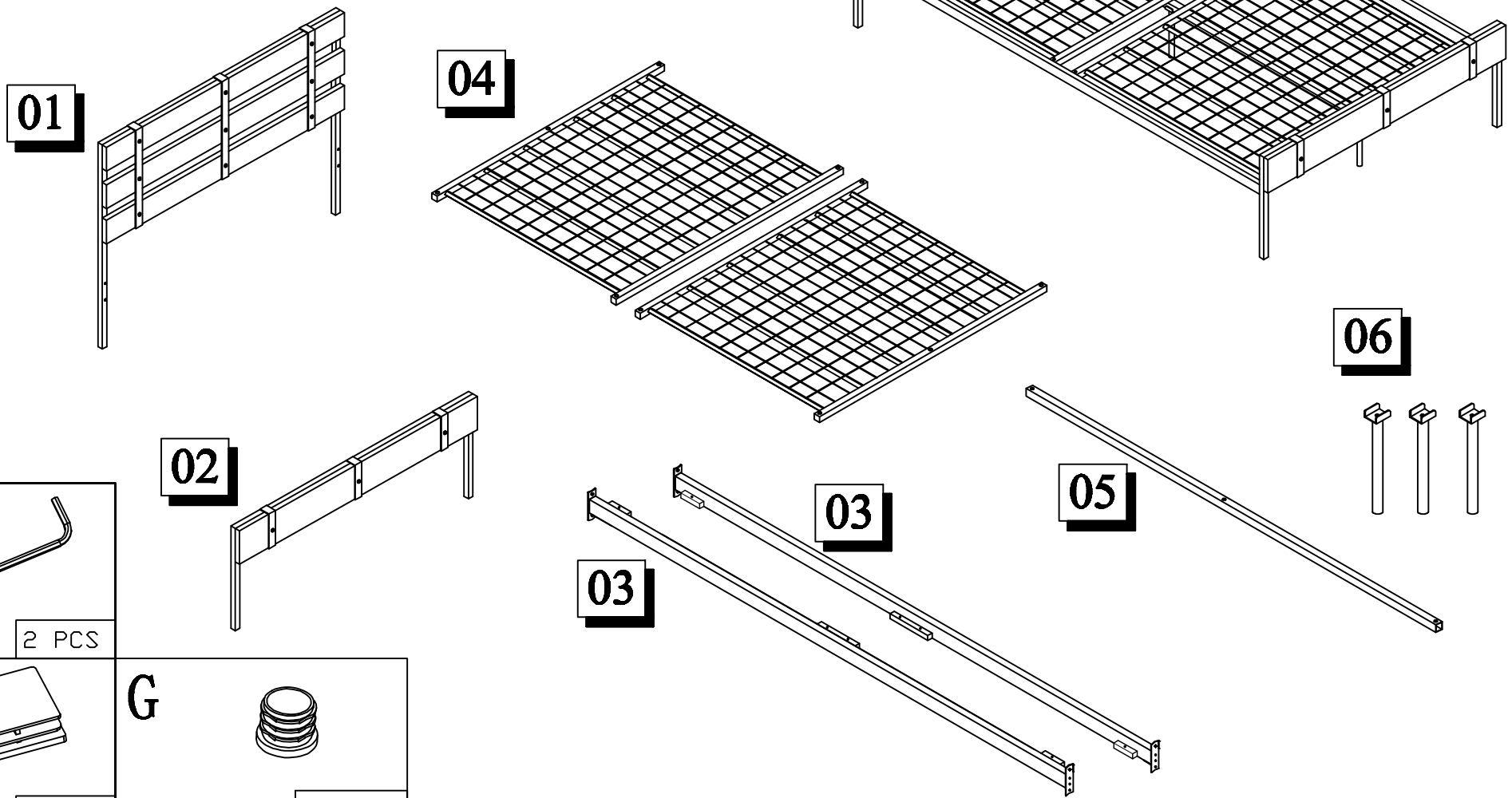
QUEEN BED

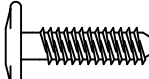

Parts List

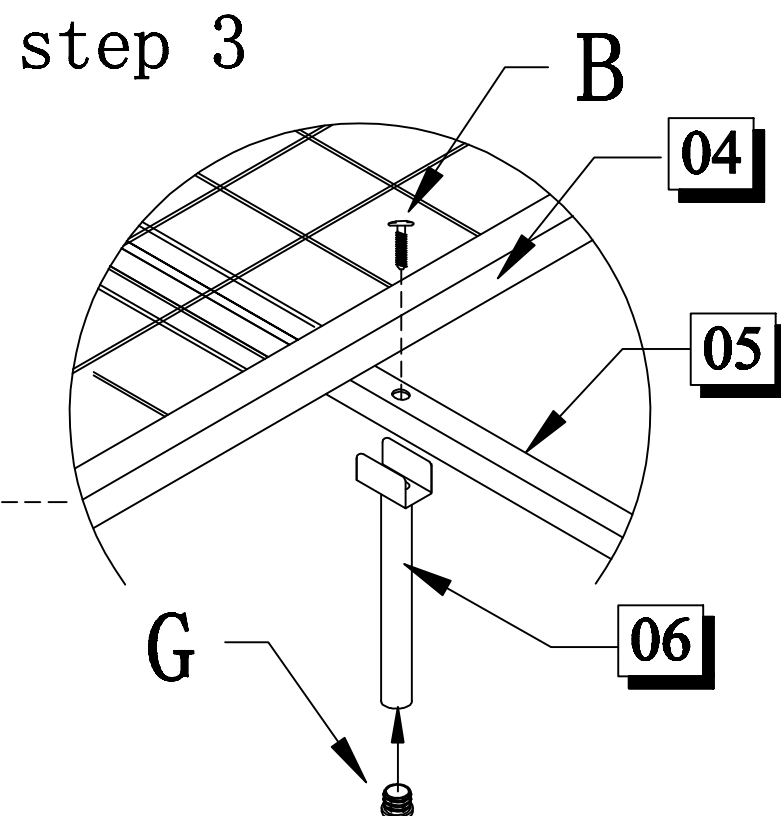
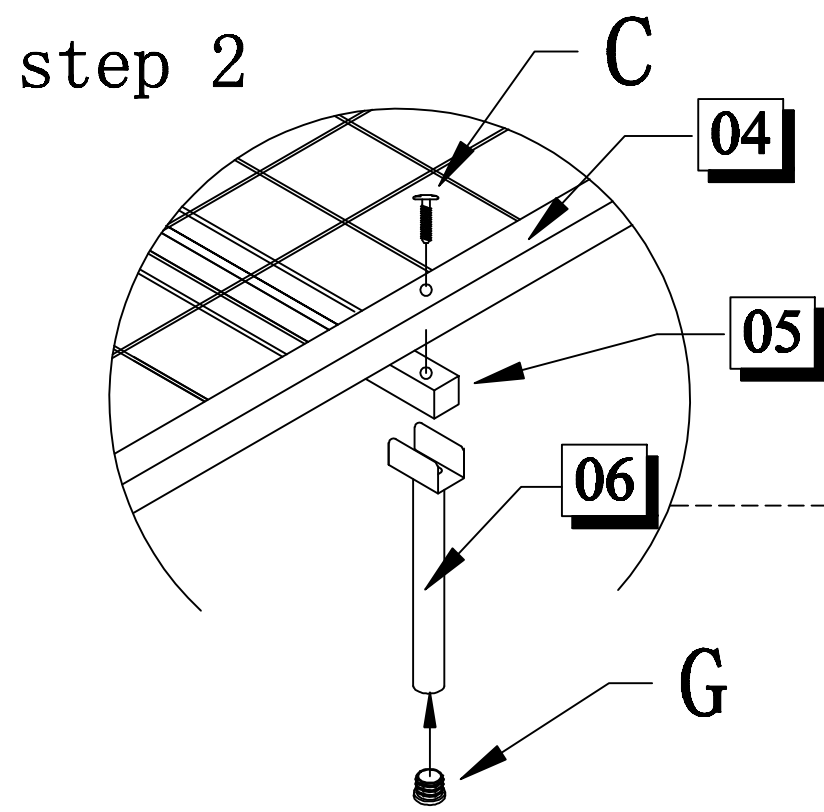
NO	Components	QTY
01	headboard	1
02	footboard	1
03	side rail	2
04	mesh	2
05	central rail	1
06	post	3

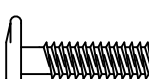
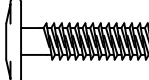
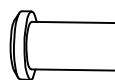

Hardware list

A		C		E	
M6 x 20MM	8 PCS	M6 x 60MM	2 PCS	4 x 4MM	2 PCS
B		D		F	
M6 x 35MM	9 PCS	M6	8 PCS	32*32	4 PCS
		G			
			ø19		3 PCS



A	
M6 x 20MM	8 PCS
F	
32*32	4 PCS



B	
M6 x 35MM	9 PCS
C	
M6 x 60MM	2 PCS
D	
M6	8 PCS
G	
ø19	3 PCS

