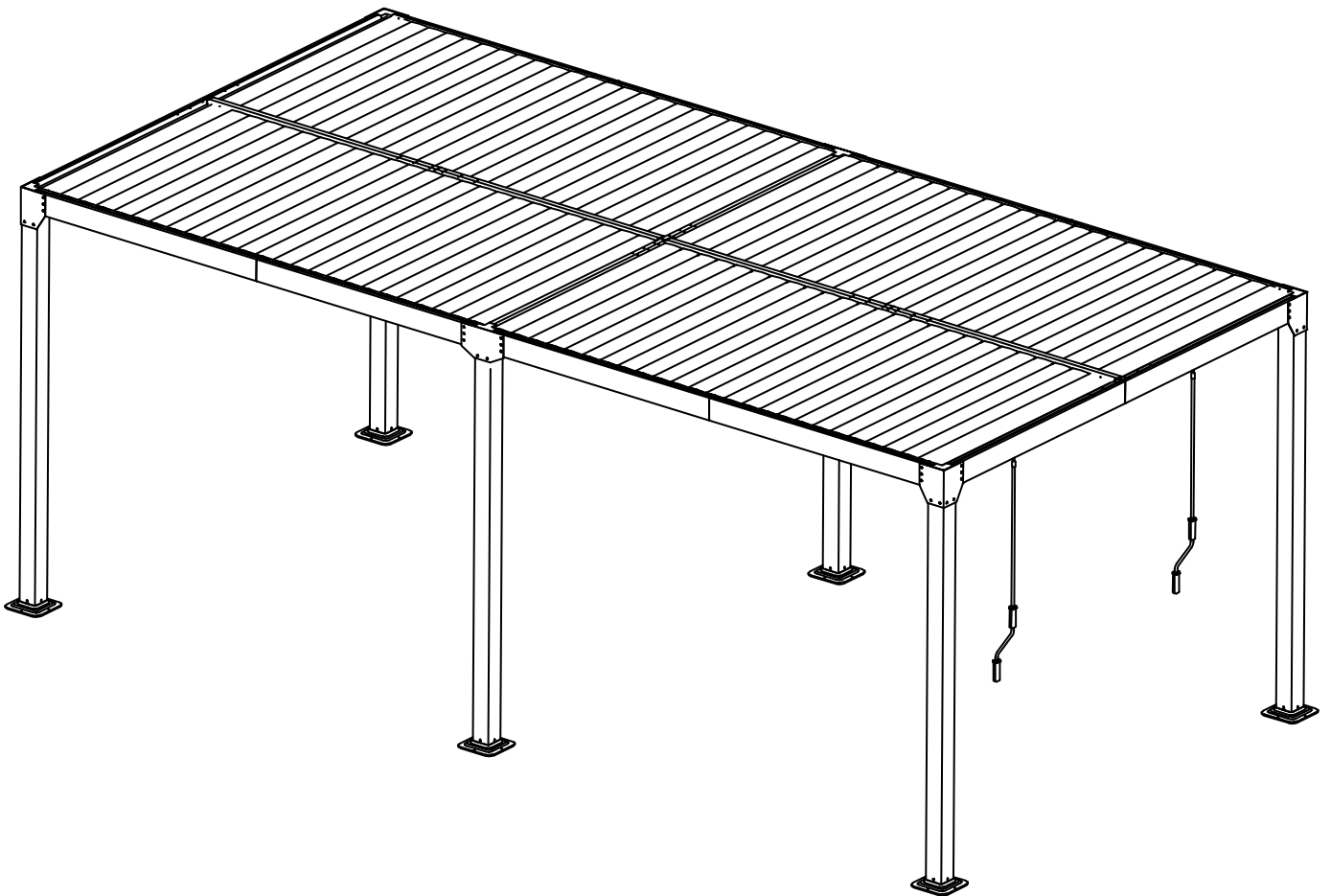


ASSEMBLY INSTRUCTIONS

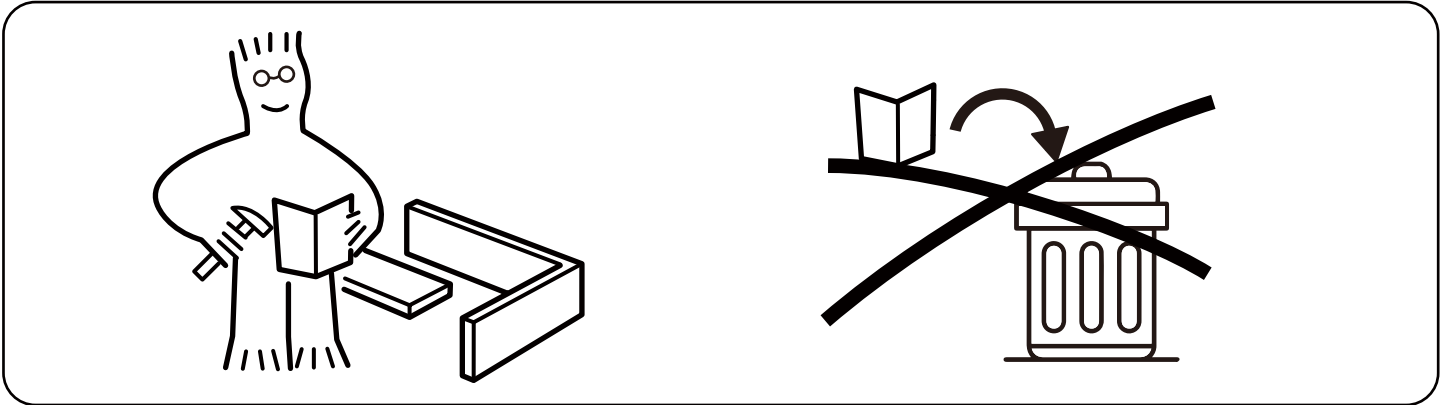
10x20



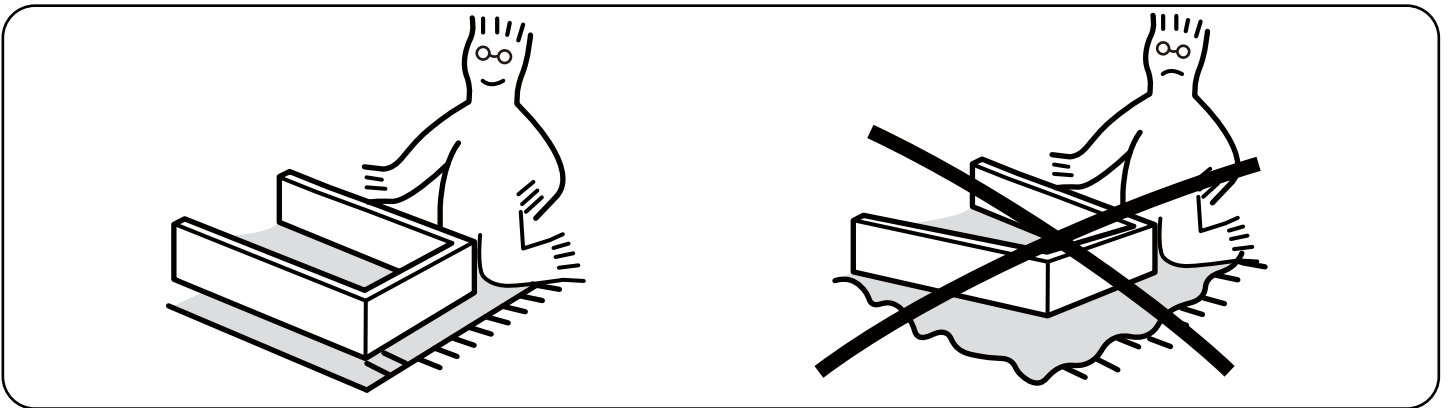
If you have any questions, please contact us:
Support Email: support@garvee.com
Customer Phone Service: +1 888 891 2855
Mon - Fri from 9AM to 5PM (PST)

NOTICE

IMPORTANT, RETAIN FOR FUTURE REFERENCE: READ CAREFULLY



Assemble on a flat and solid surface. To avoid the unstable surface affecting the overall frame stability during installation.

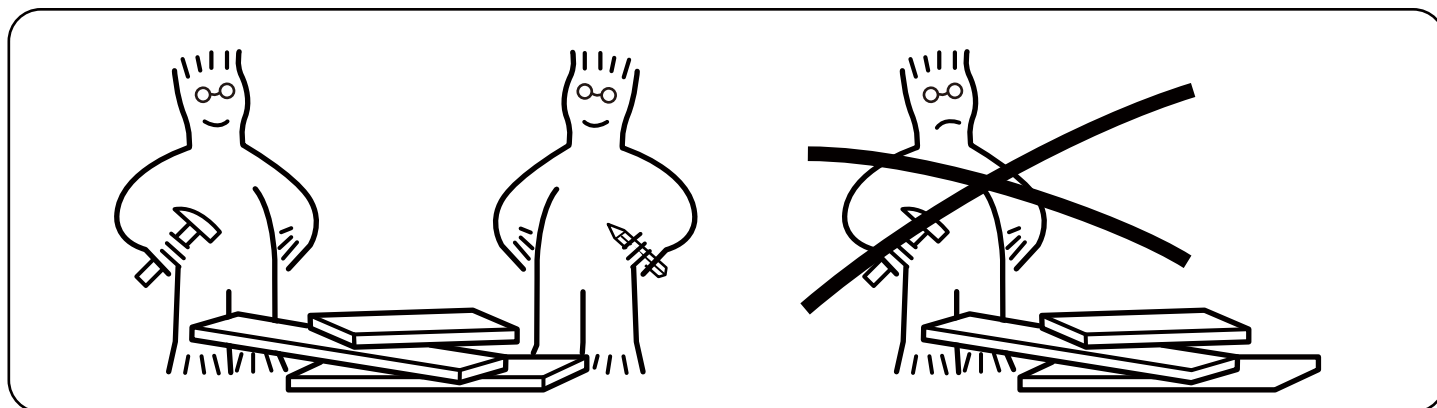
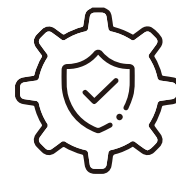


Professional installation is highly recommended.



NOTICE

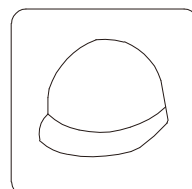
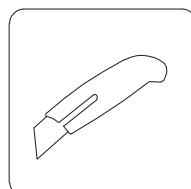
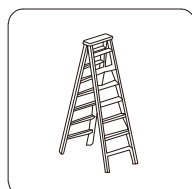
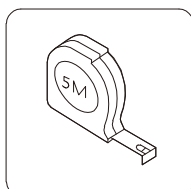
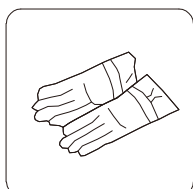
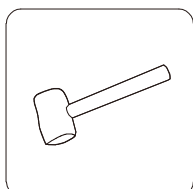
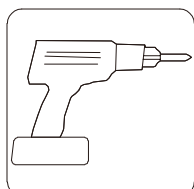
Periodically Check That All Components Are Tightly Secured.
It is recommended that multiple people assemble this product.



Please contact us if parts of your furniture are missing.

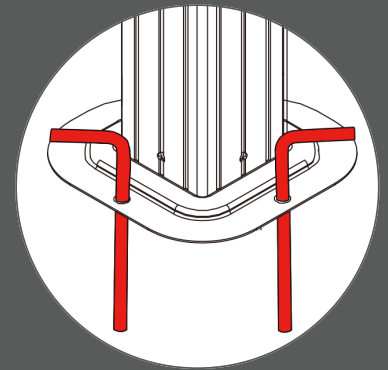
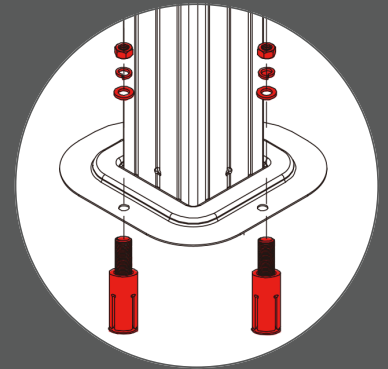


Please have the following auxiliary tools ready:



WARNING

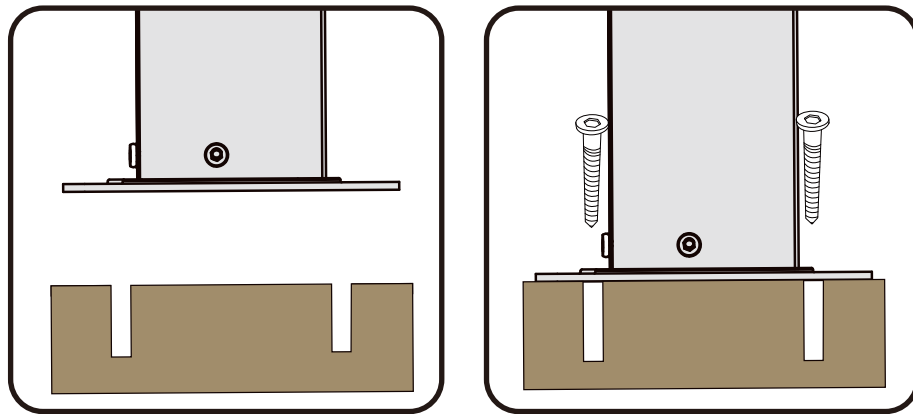
- Must use ground nails, ropes, and expansions screws for whichever ground you install on for stability to avoid devastating injuries for people inside or nearby and property damage caused by a collapsing gazebo.
- Do not use this gazebo in high winds, heavy snow, or inclement weather. It is not designed to withstand strong gusts of wind, heavy snow accumulation, or other inclement weather. Must take precautions when the wind speed exceeds 25Mph, and clear snow when it accumulates more than 2 inches.
- Before use, thoroughly inspect the gazebo to make sure all bolts, nuts, and buckles have been completely tightened and securely fastened.
- Warranty does not cover damages, losses, or injuries resulting from improper installation, misuse, not using stability accessories mentioned above, non snow cleaning, failure to take precautionary measures, etc.



NOTICE

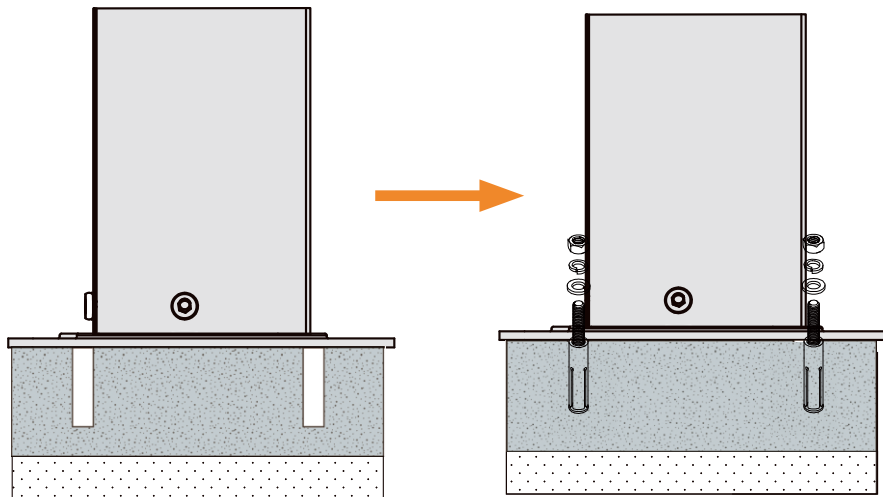


The following installation methods will provide better wind resistance performance, extend the product's lifespan, and help you maximize its value, delivering an even better user experience.



1

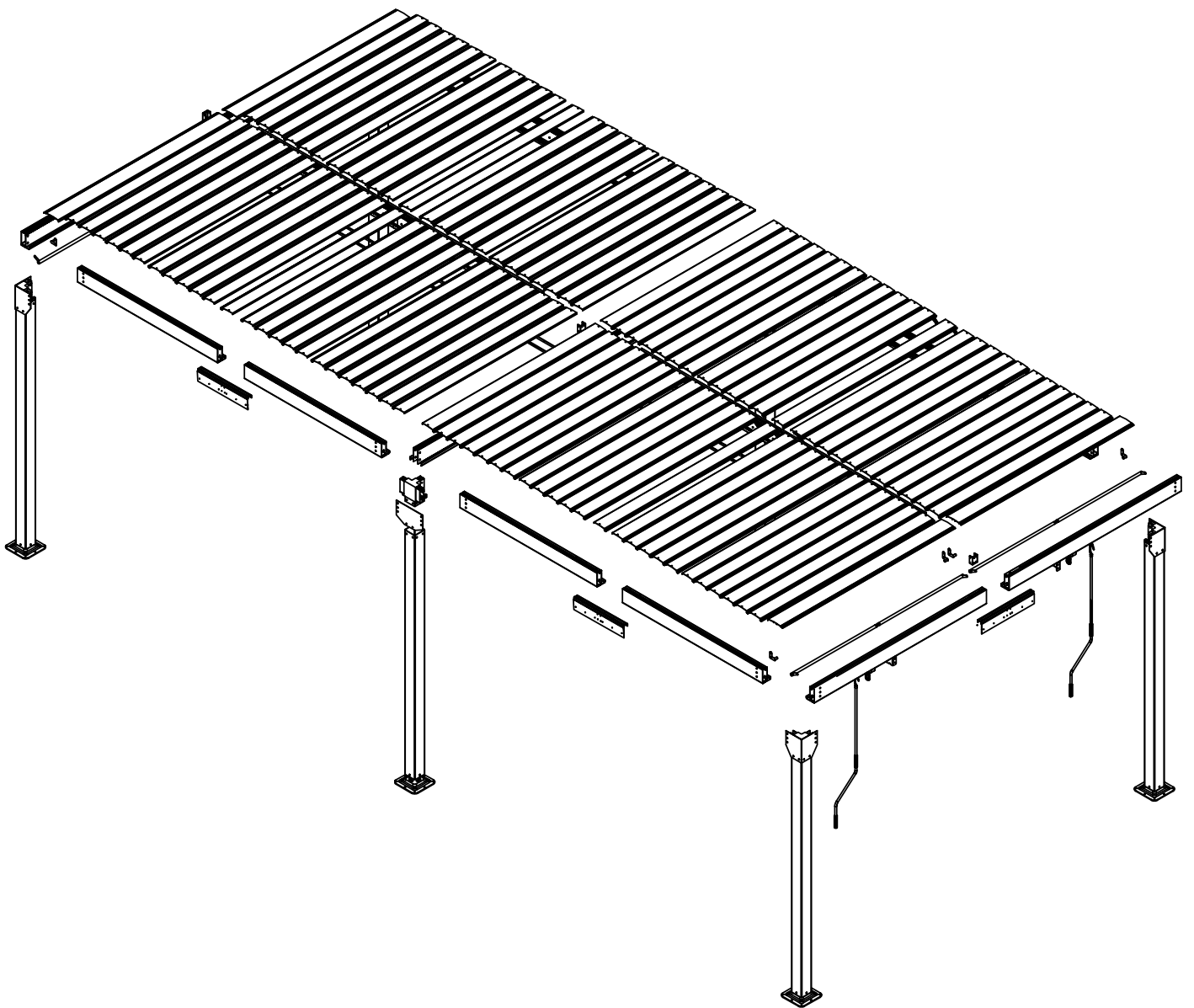
If the deck you are installing is made of hardwood and has a depth exceeding 40mm, you can use ST8*35mm screws to secure it in place. (This hardware is not included with the product, so you will need to purchase it separately.)



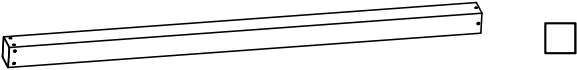
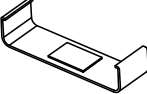
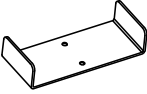
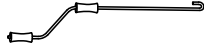



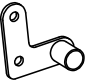






2

The best option is to fix it on a concrete surface. You can use the expansion bolts that are pre-configured with the product to secure it in place.

EXPLODED VIEW

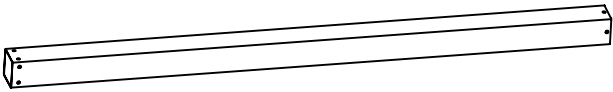
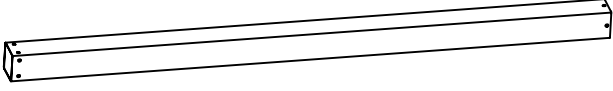



PARTS (BOX A)

Item no.	Reference Image	Qty.	
A		3	
F		2	
F1		1	
J		2	
L		4	
M		4	
N		4	
Q		4	
R		4	
S		8	
T		4	
U		8	
X		4	
Y		1	

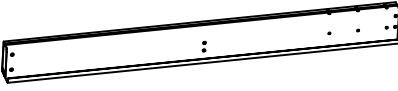



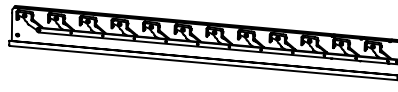
NOTE: Please be advised that Part F,F1,J,L,M,N,Q,R,S,T,U,X,Y can be found in Post A.

PARTS (BOX B)







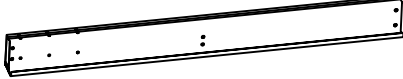




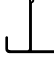
Item no.	Reference Image	Qty.
A	 <input type="checkbox"/>	1
A1	 <input type="checkbox"/>	2
I		8

NOTE: There are some parts in the Post A or A1: I. Please check carefully!



PARTS (BOX C)

Item no.	Reference Image	Qty.
E	 <input type="checkbox"/>	2
D	 <input type="checkbox"/>	2
D1	 <input type="checkbox"/>	1
B	 <input type="checkbox"/>	2
C1	 <input type="checkbox"/>	1



PARTS (BOX D)

Item no.	Reference Image	Qty.	
B1	 	2	
C	 	2	
C1	 	1	
E1	 	2	
E2	 	2	
D1	 	1	

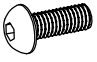
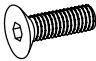
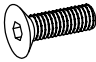







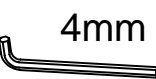
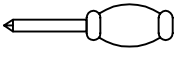
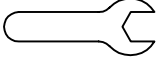
PARTS (BOX E)

Item no.	Reference Image	Qty.	
G		2	
H		48	


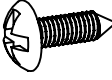
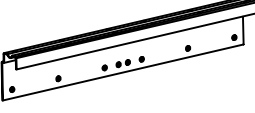
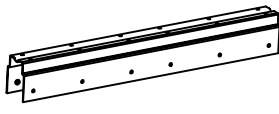
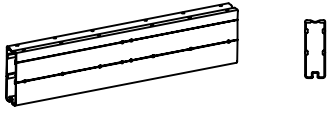
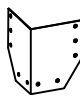
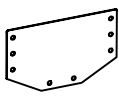
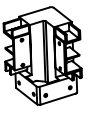
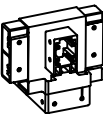

PARTS (BOX F)

Item no.	Reference Image	Qty.	
G		2	
H		48	

PARTS (BOX G)

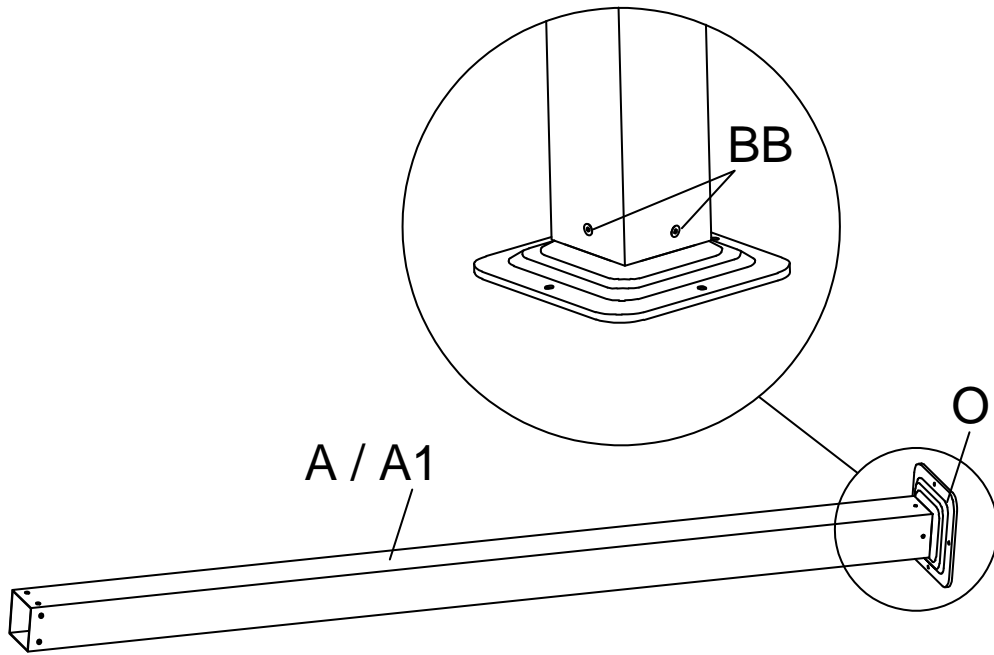
Item no.	Reference Image	Qty.	
AA	 M6*18	84+2	
BB	 M6*15	116+2	
CC	 M6*13	8	
DD	 M4*12	10	
EE	 M6*10	196+3	
FF	 M6	16	
GG	 M6*40	8	
HH	 M4*20	4	
II	 4mm  4mm  4mm	3	
JJ		1	
KK	 10mm	1	

PARTS (BOX G)

NN	 M6*50	24	
OO	 M5*15	192+2	
V		6	
W		2	
W1		1	
P		4	
P1		2	
K		4	
K1		2	
O		6	

ASSEMBLY

①

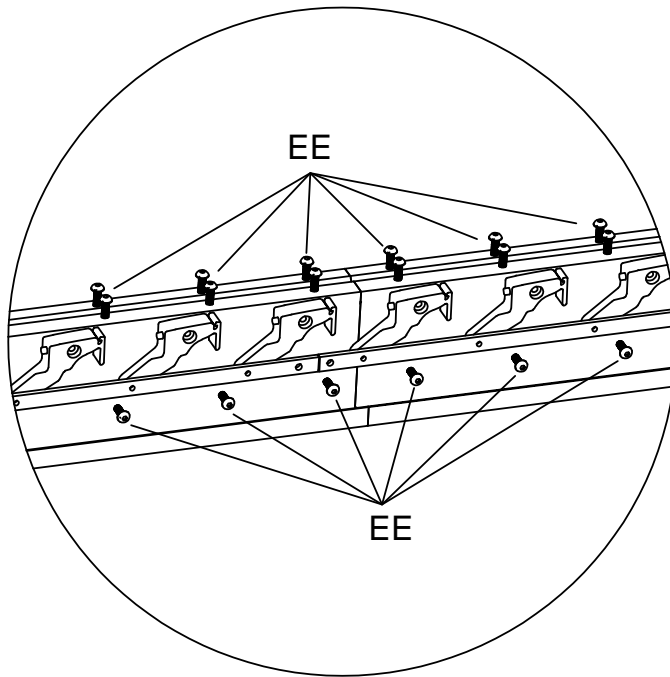
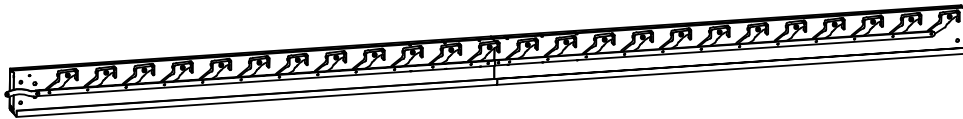
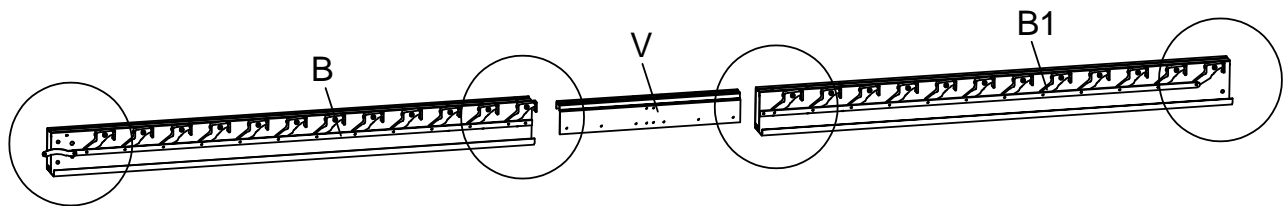


X6





A	4		BB	24	
A1	2		O	6	

ASSEMBLY

②

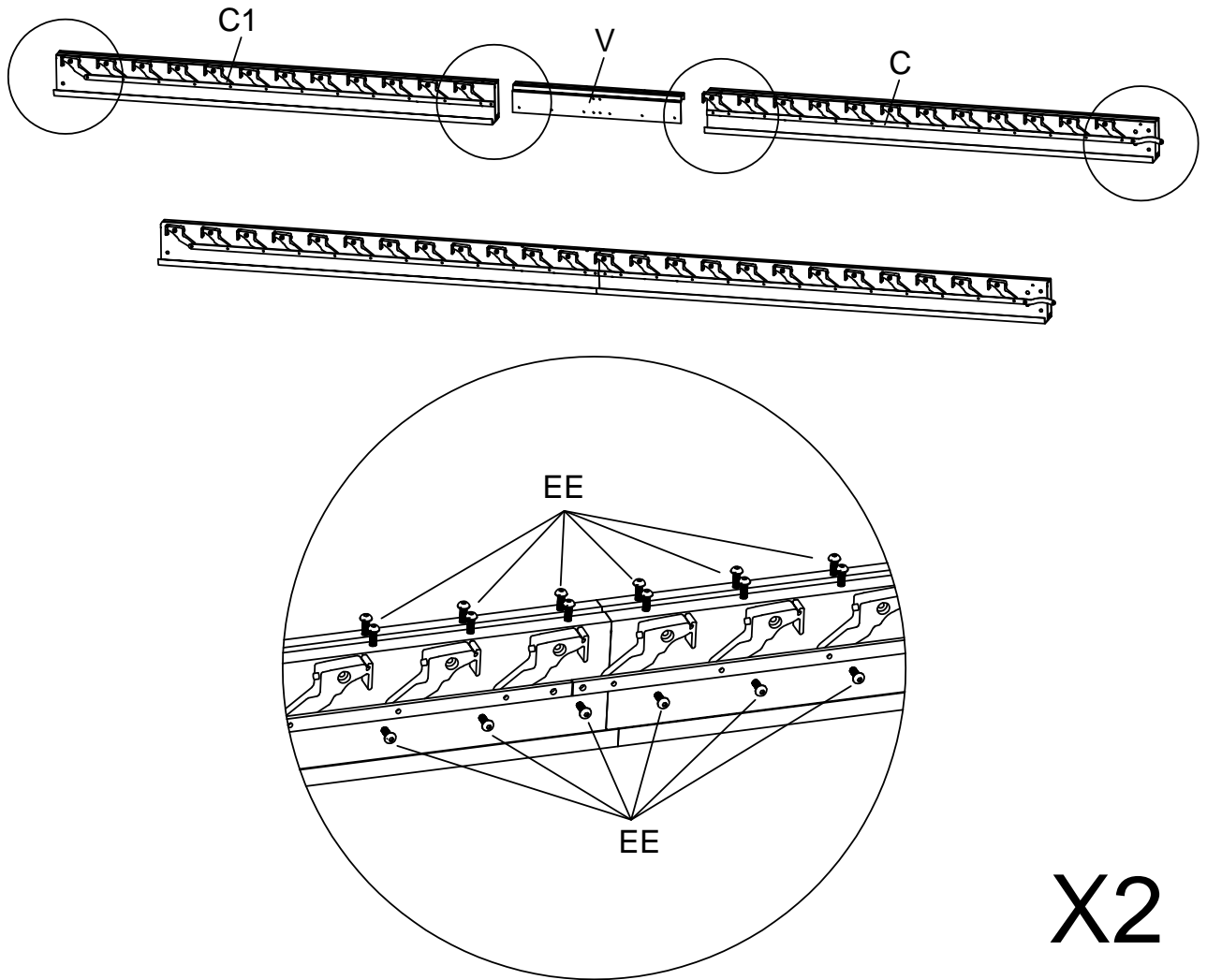



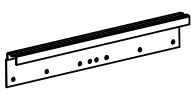


X2

B	2		V	2	
B1	2		EE	36	 M6*10

ASSEMBLY

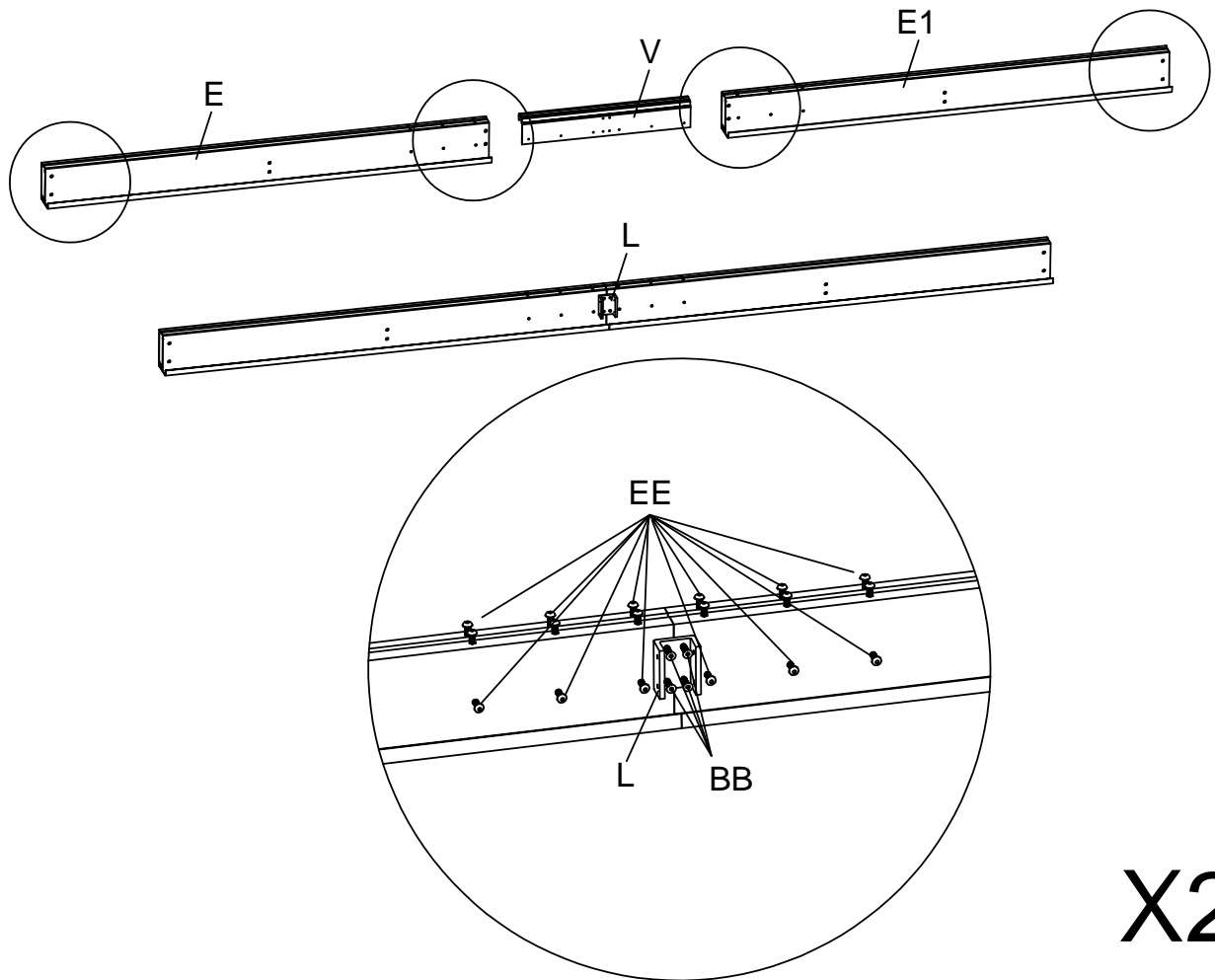
3



C	2		V	2	
C1	2		EE	36	 M6*10

ASSEMBLY

4

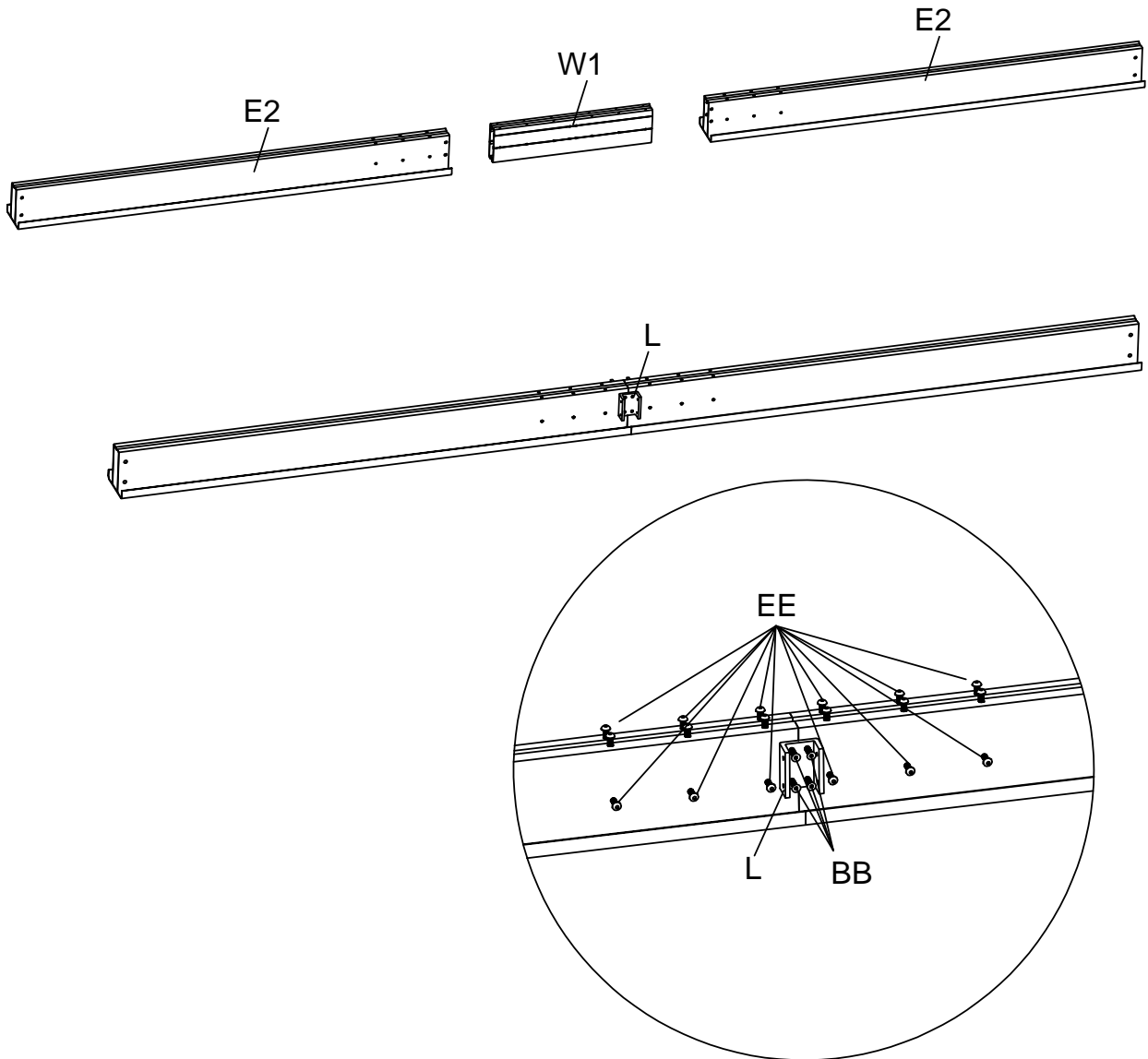




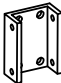
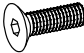

X2

E	2		V	2	
E1	2		BB	8	
L	2		EE	36	

ASSEMBLY

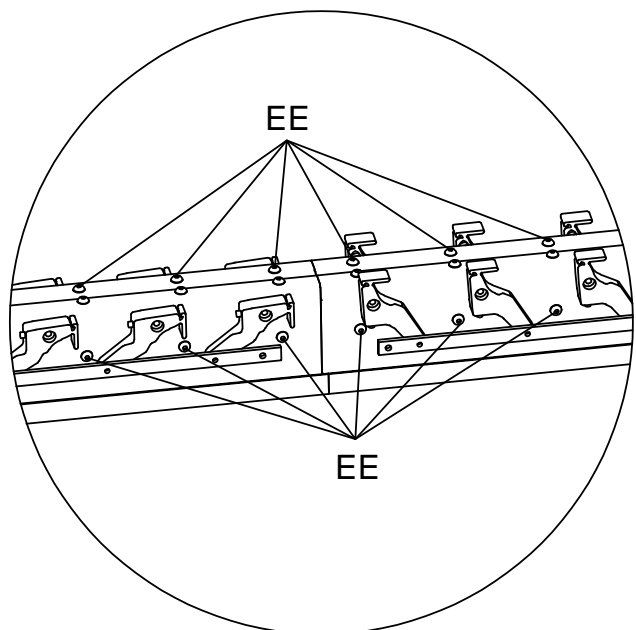
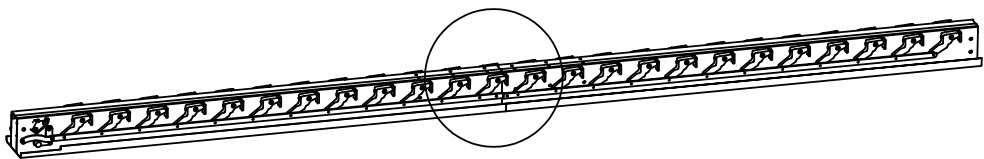
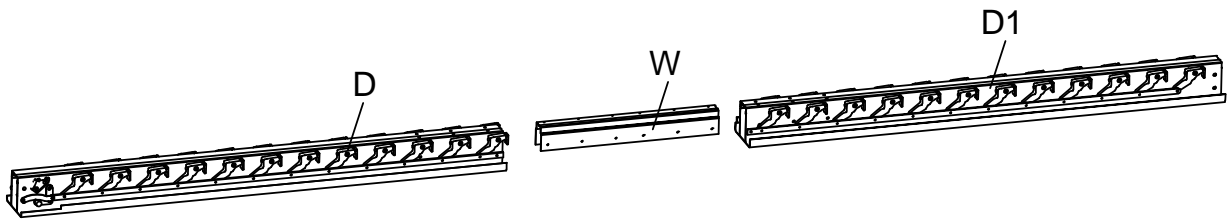
5




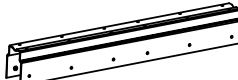

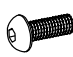
E2	2		W1	1	
L	2		BB	8	 M6*15
EE	24	 M6*10			

ASSEMBLY

6

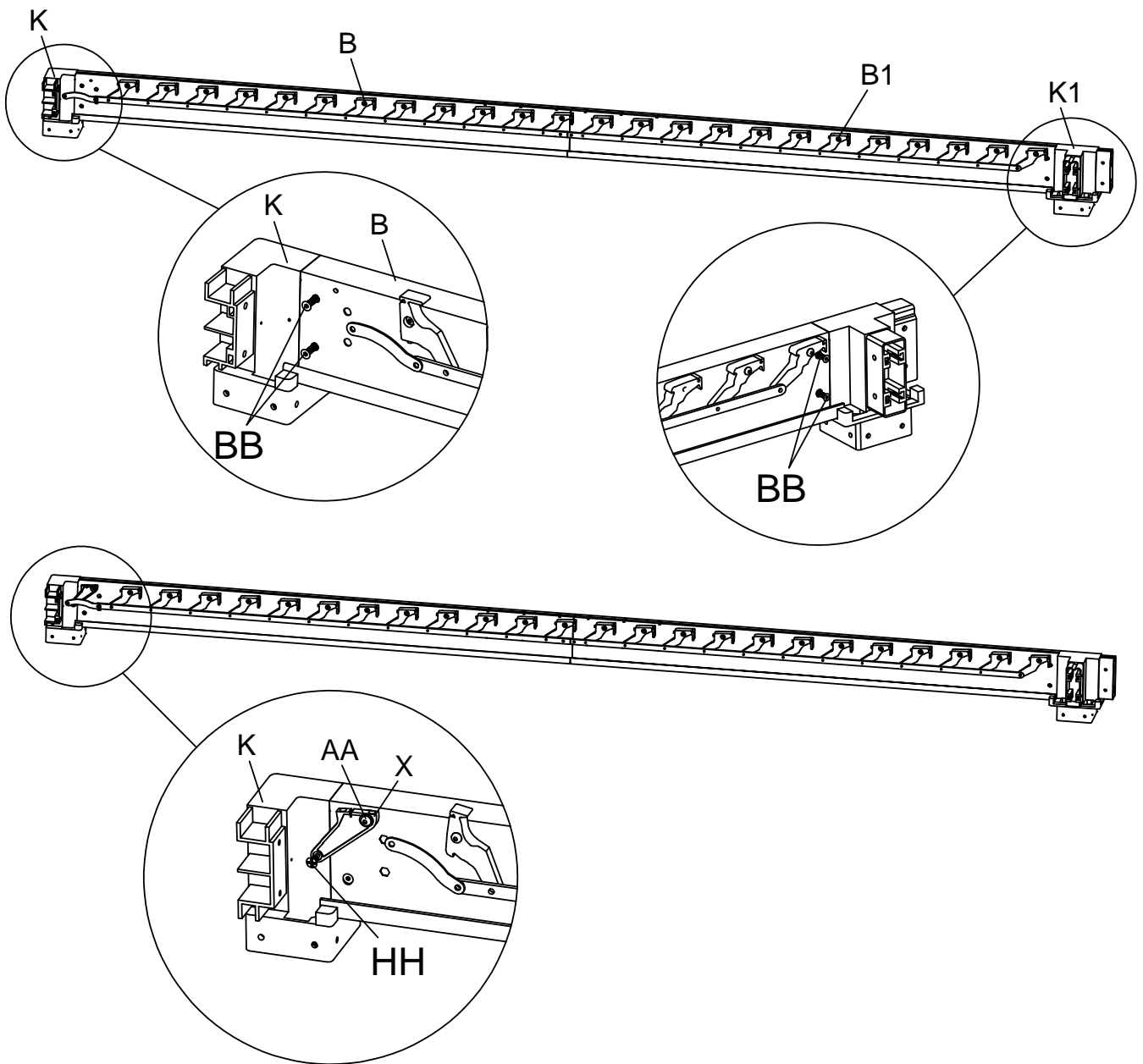






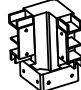
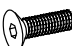
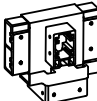

X2

D	2		W	2	
D1	2		EE	48	 M6*10

ASSEMBLY

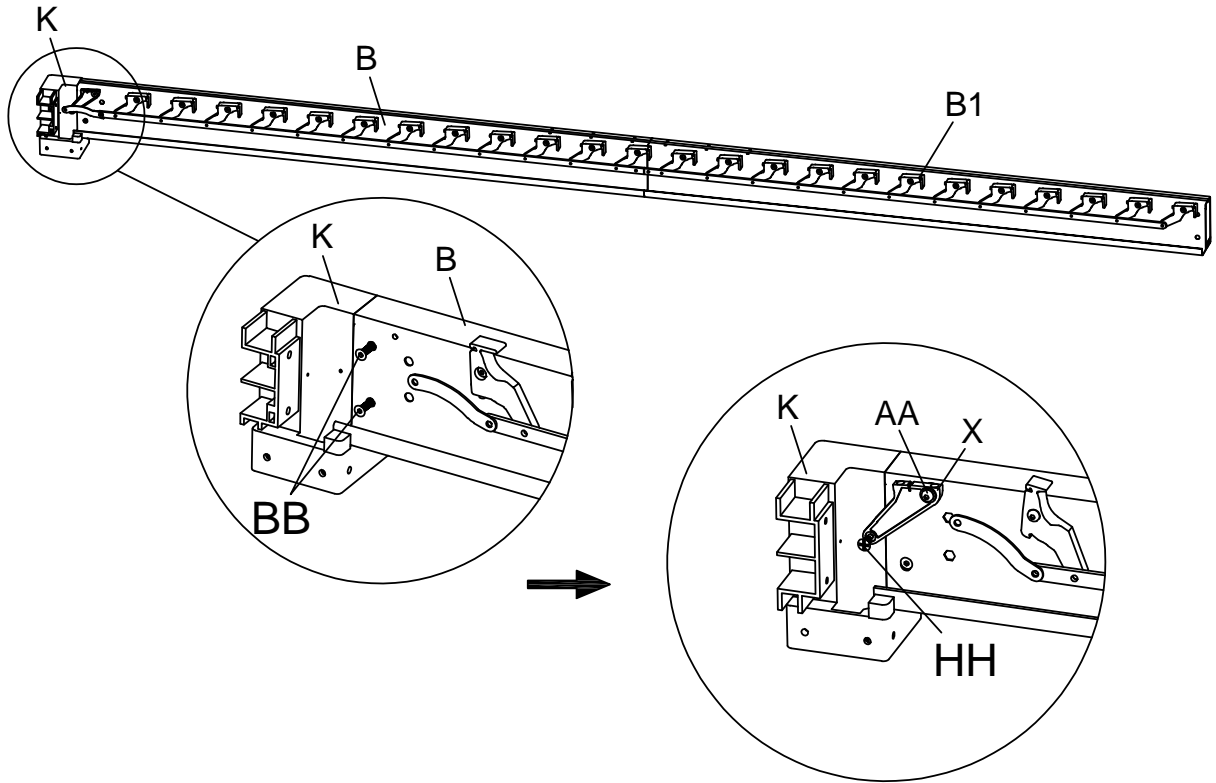
7





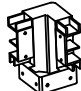




B	1		X	1	
B1	1		AA	1	 M6*18
K	1		BB	4	 M6*15
K1	1		HH	1	 M4*20

ASSEMBLY

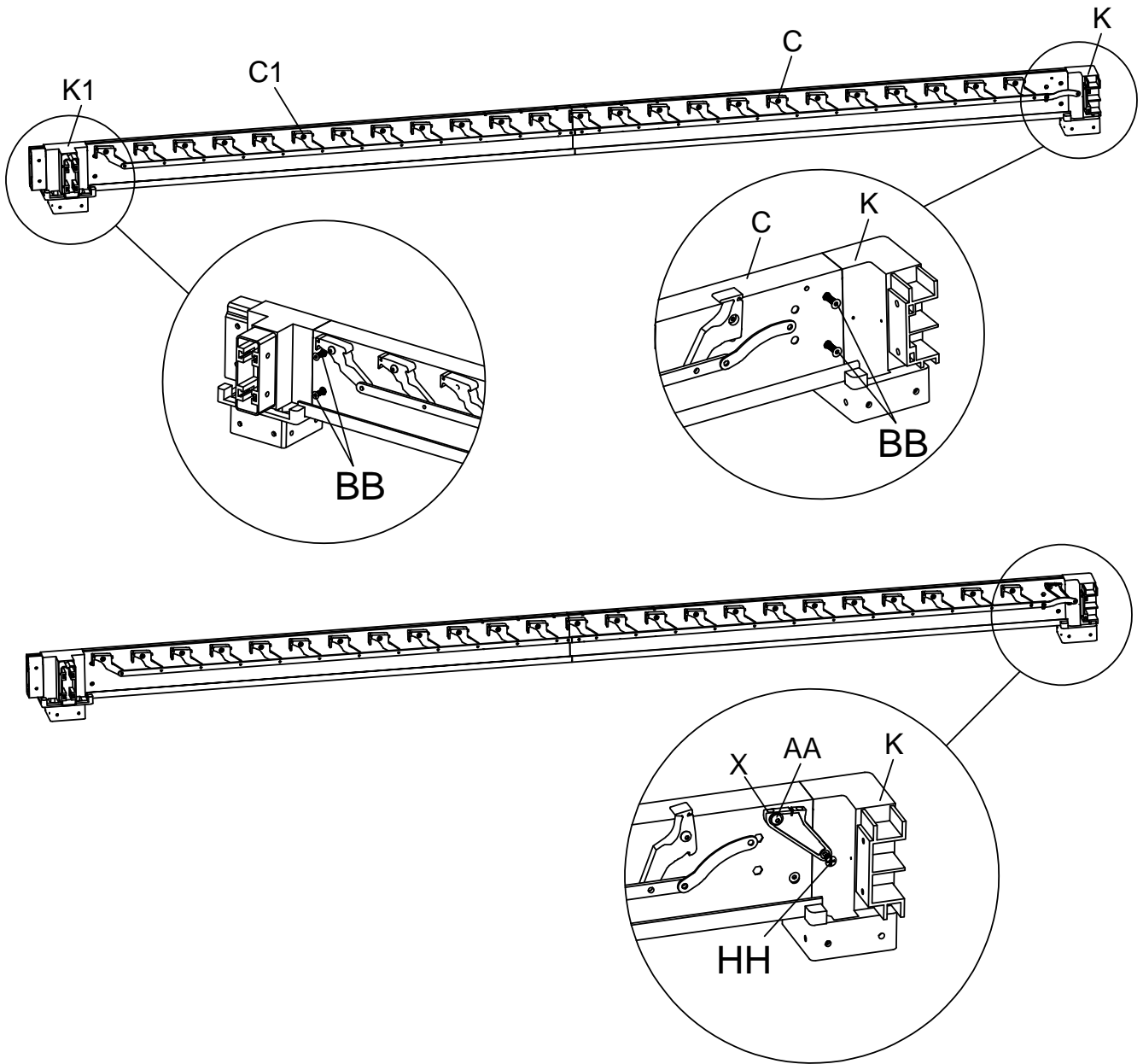
8



B	1		AA	1	 M6*18
B1	1		BB	2	 M6*15
K	1		HH	1	 M4*20
X	1				

ASSEMBLY

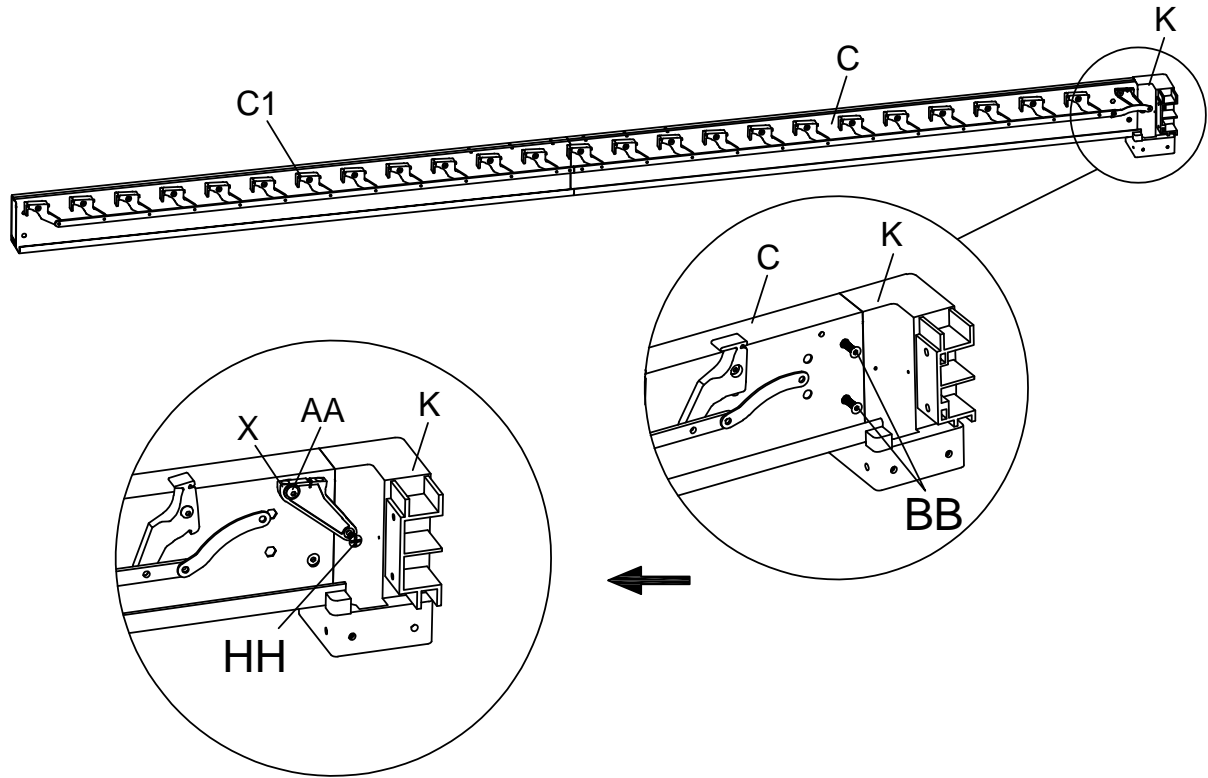
9



C	1		X	1	
C1	1		AA	1	
K	2		BB	4	
K1	1		HH	1	

ASSEMBLY

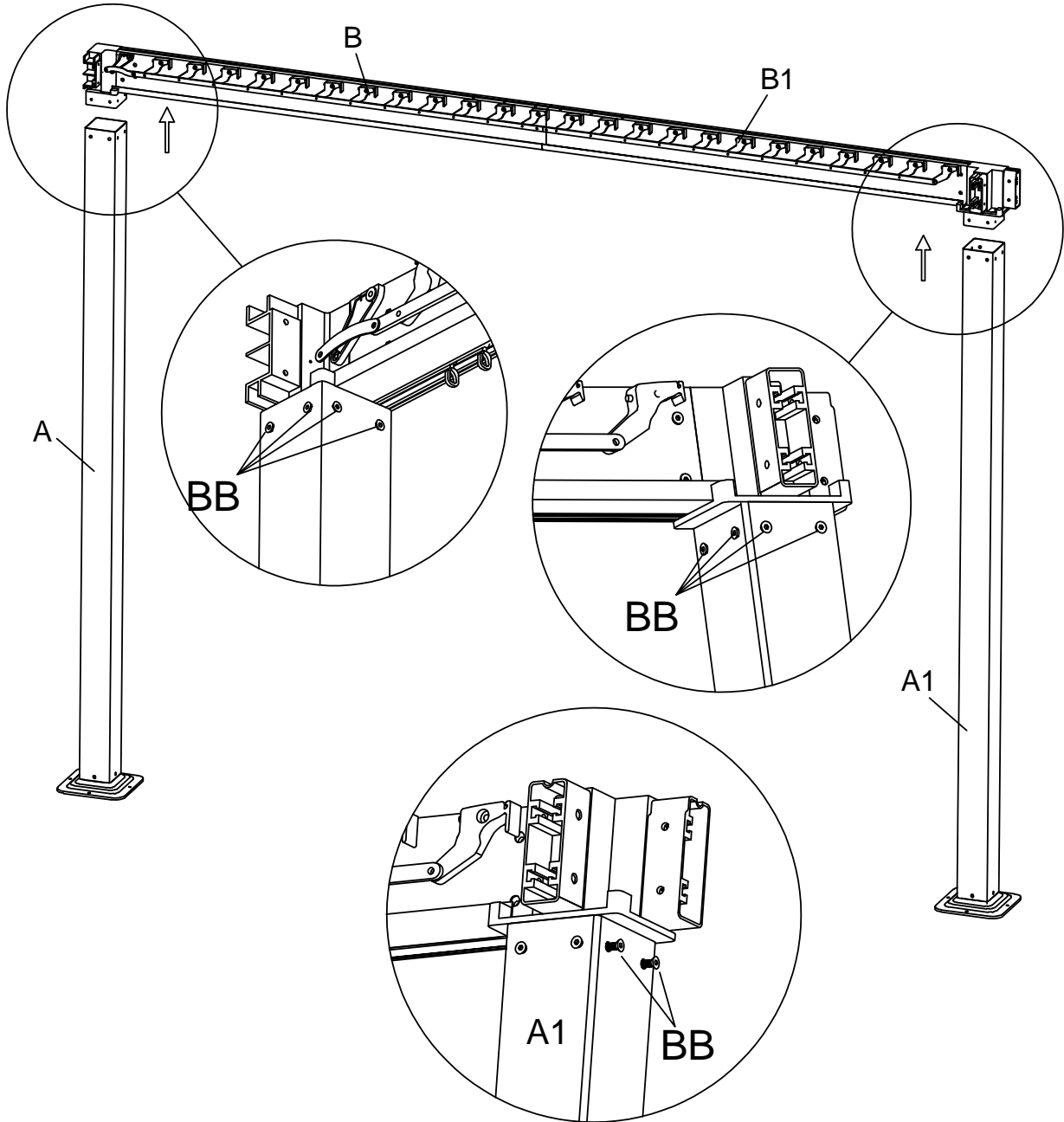
10

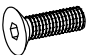


C	1		AA	1	M6*18
C1	1		BB	2	M6*15
K	1		HH	1	M4*20
X	1				

ASSEMBLY

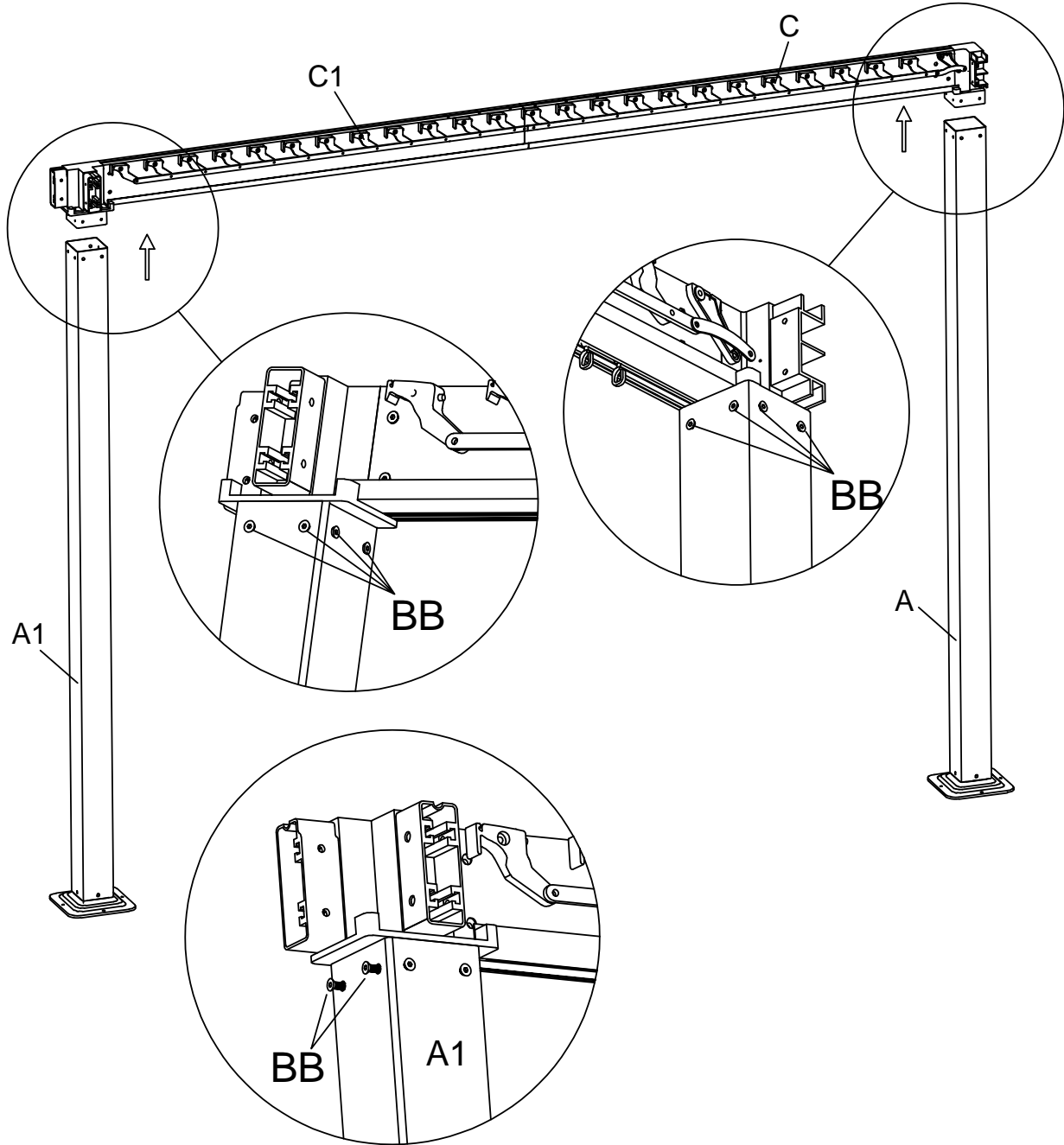
11

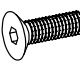


BB	10	 M6*15
----	----	---

ASSEMBLY

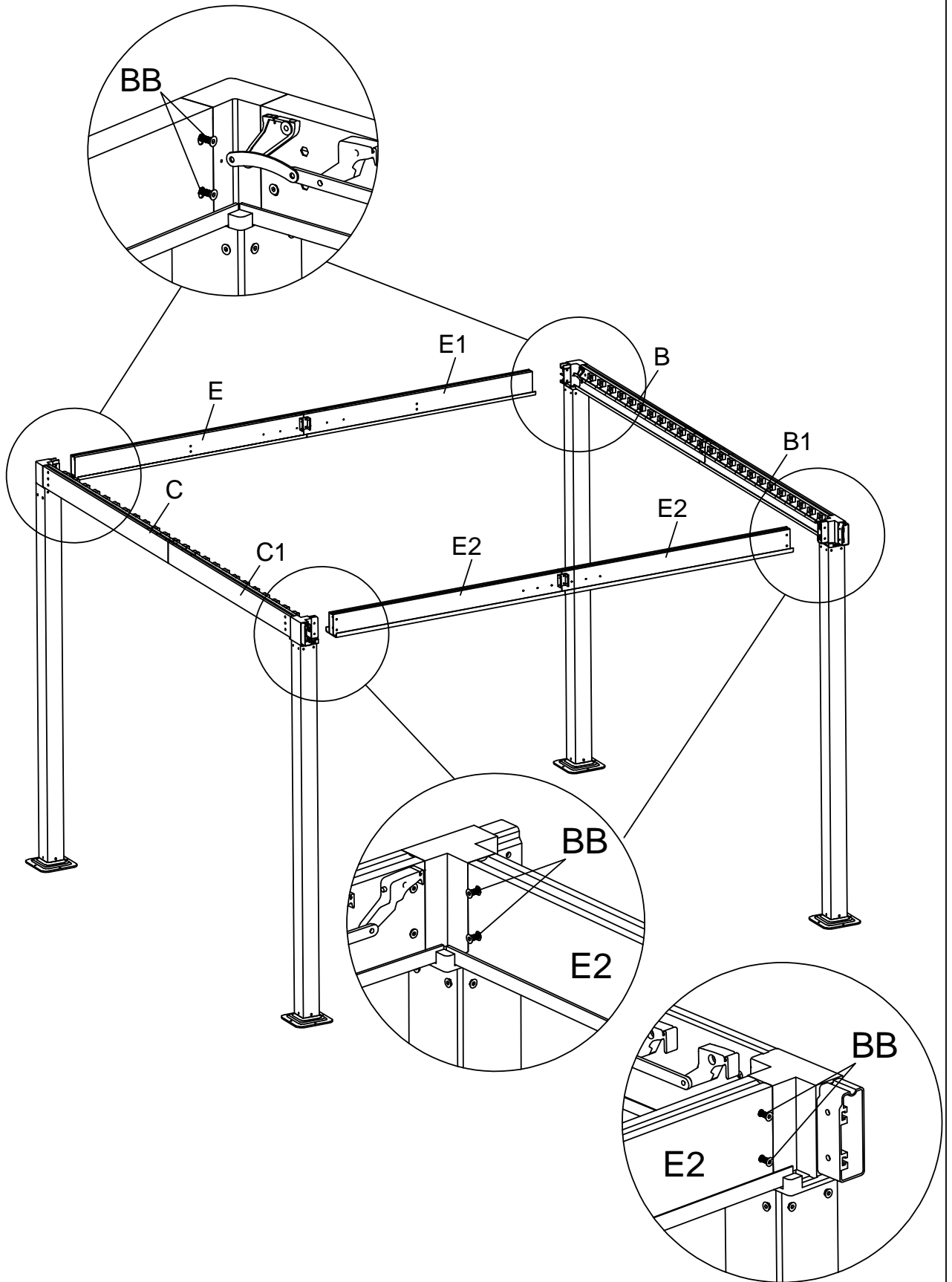
12

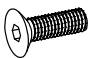


BB	10	 M6*15
----	----	---

ASSEMBLY

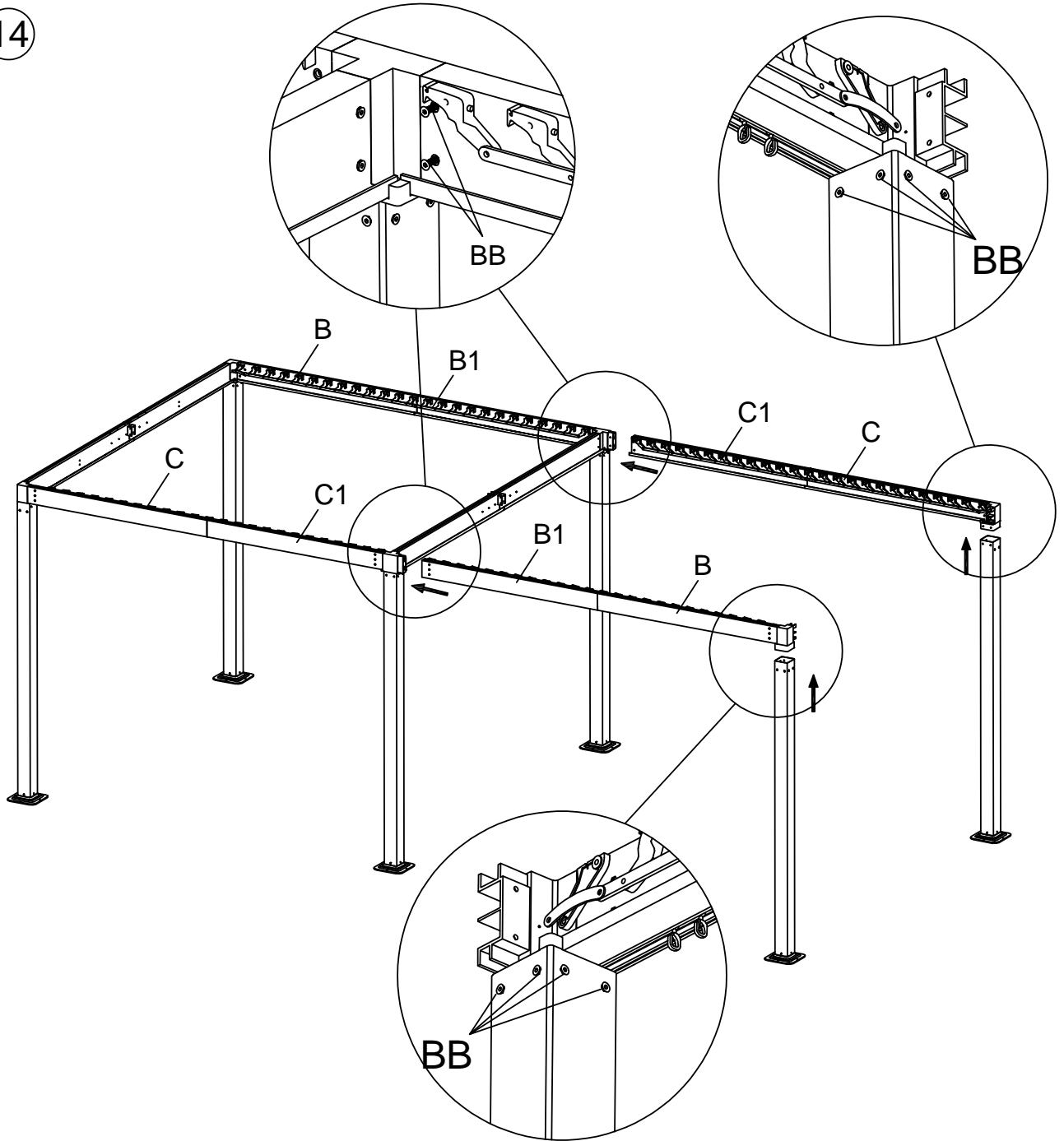
13

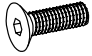


BB	12	 M6*15
----	----	---

ASSEMBLY

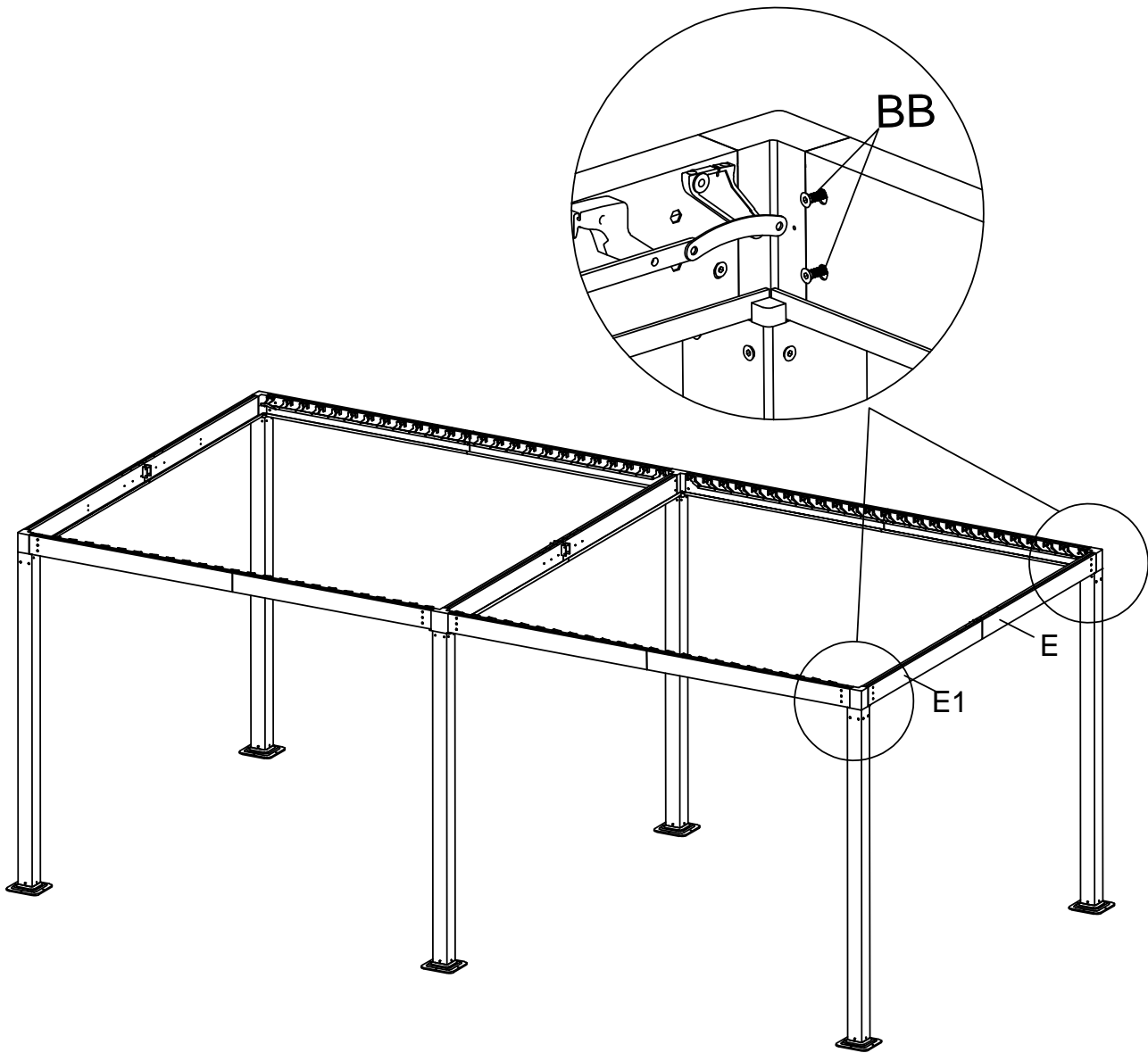
14

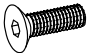


BB	12	 M6*15
----	----	---

ASSEMBLY

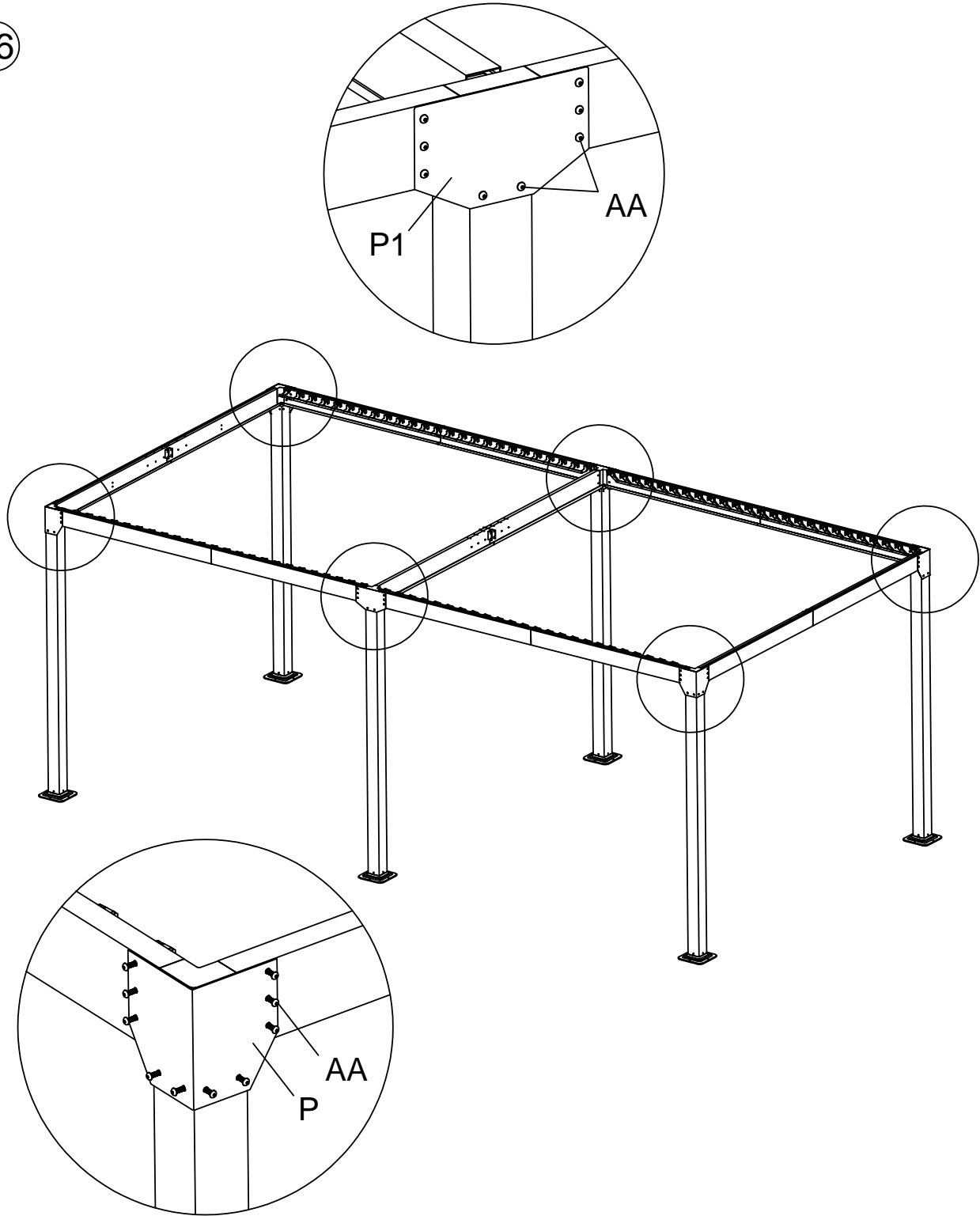
15

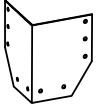

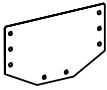


BB	4	 M6*15
----	---	---

ASSEMBLY

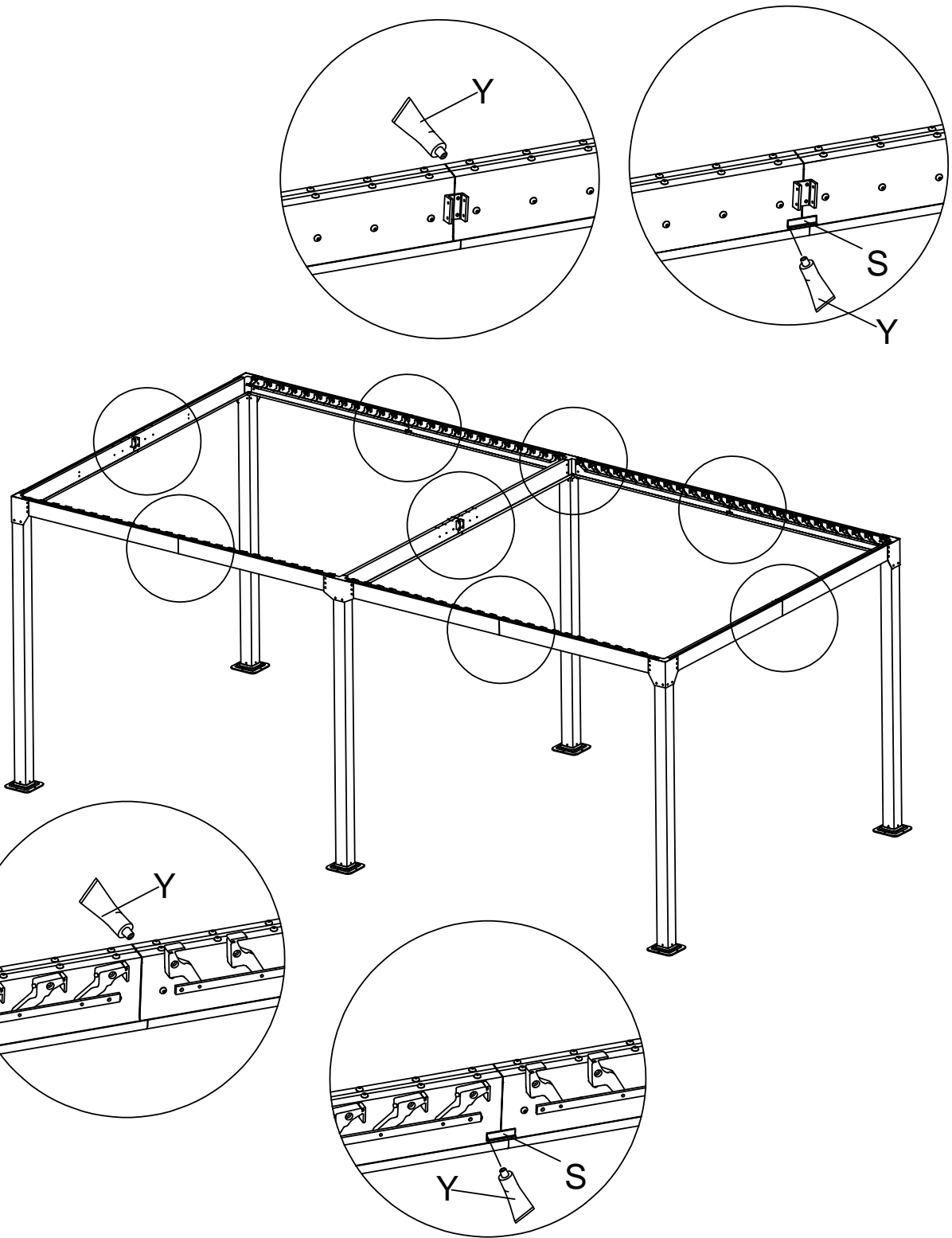
16



P	4		AA	56	 M6*18
P1	2				

ASSEMBLY

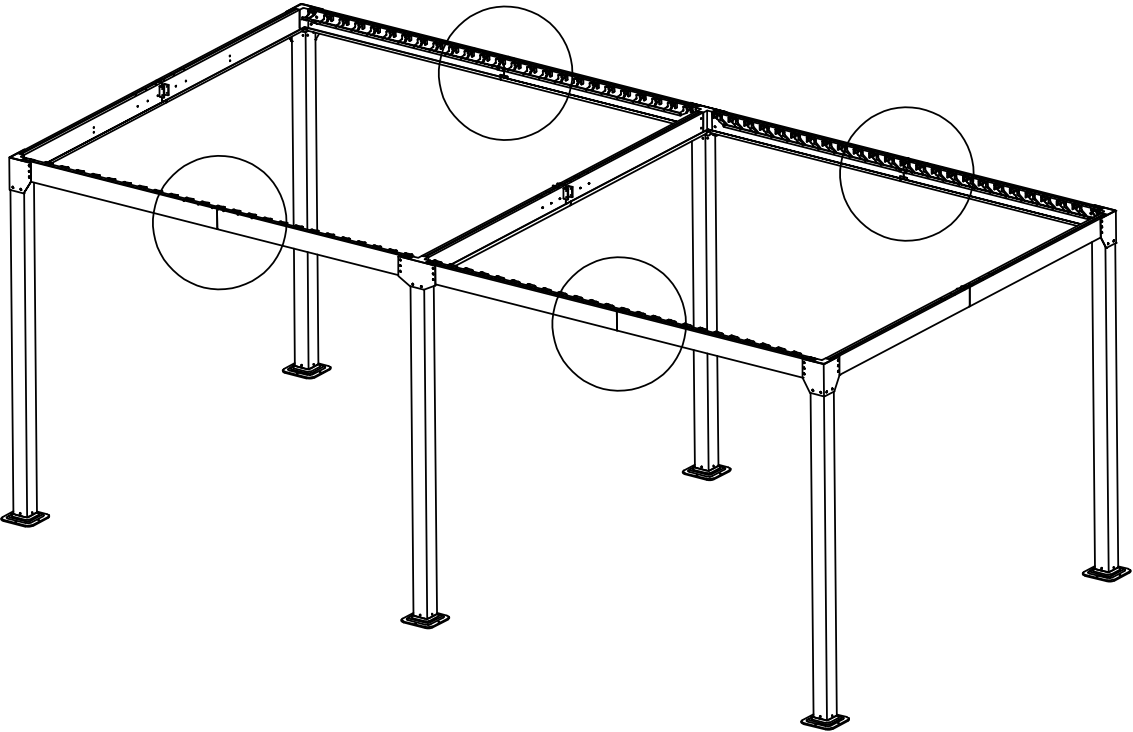
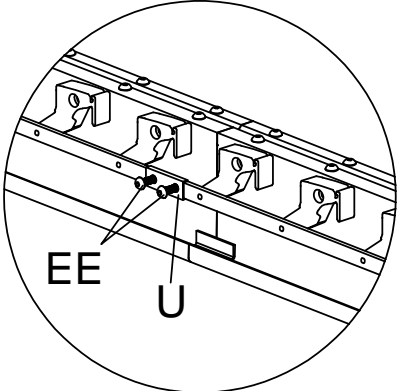
17



S	8		Y	1	
---	---	--	---	---	--

ASSEMBLY

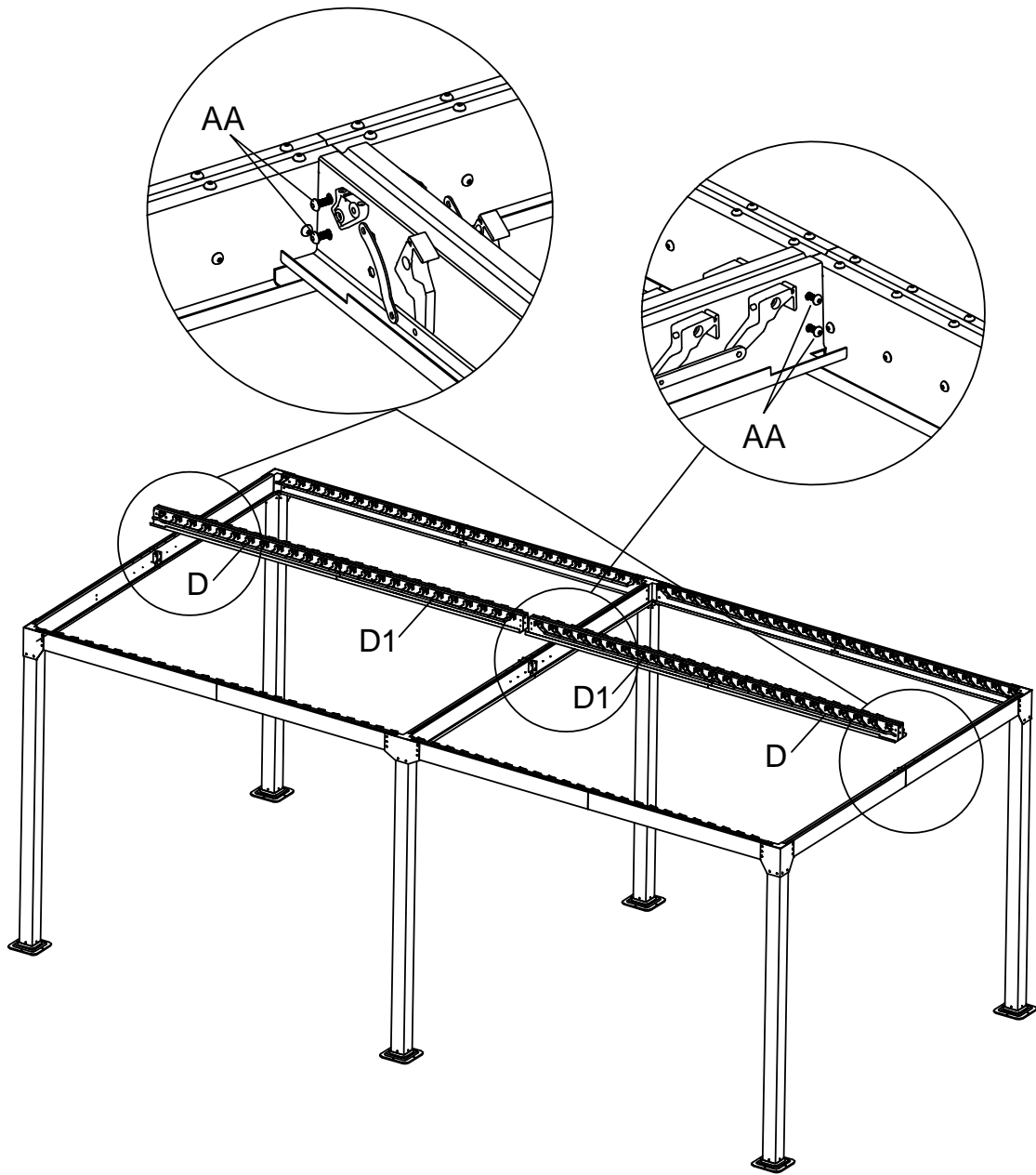
18




U	4		EE	8	 M6*10
---	---	---	----	---	---

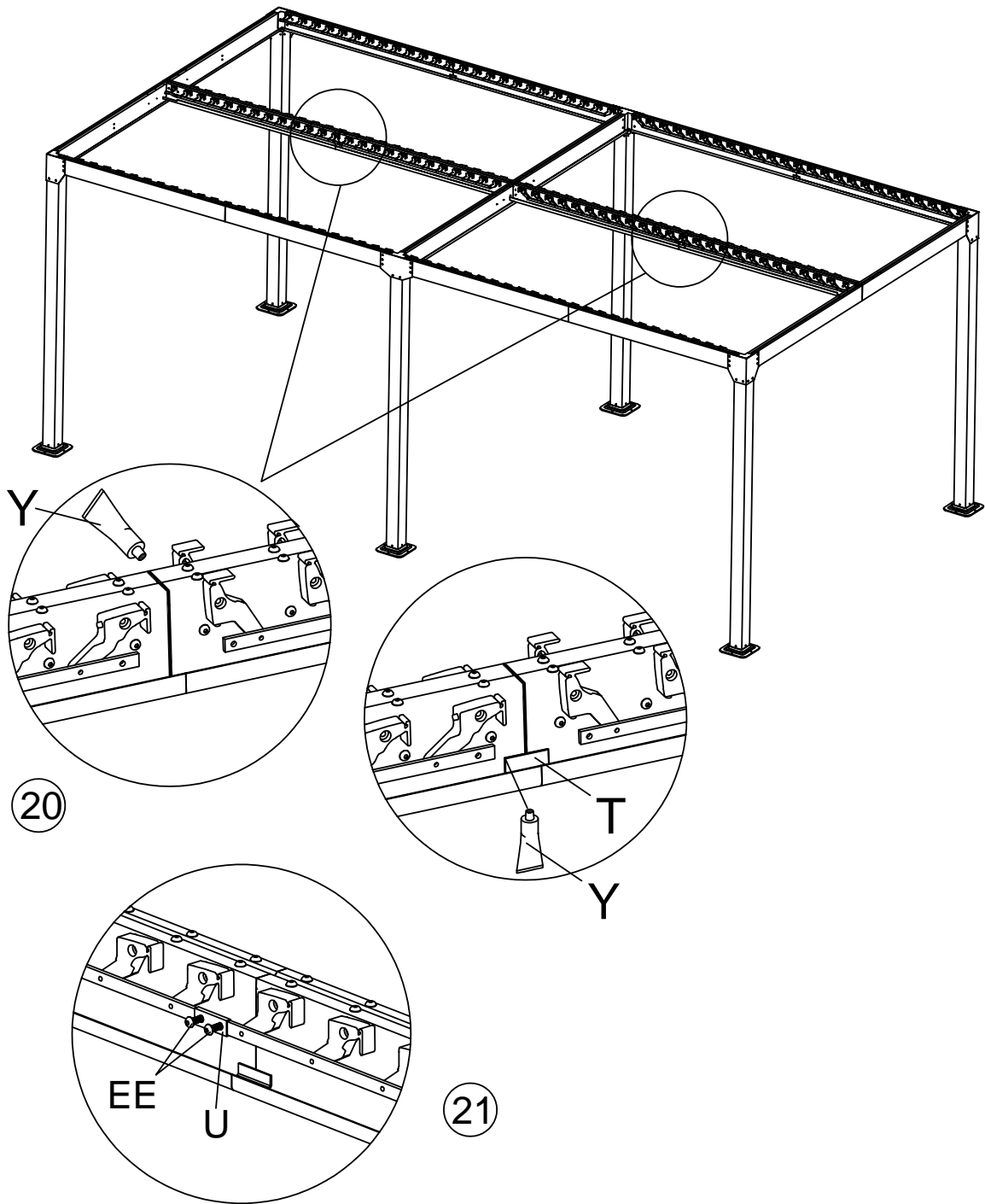
ASSEMBLY





19



AA	16	 M6*18
----	----	---

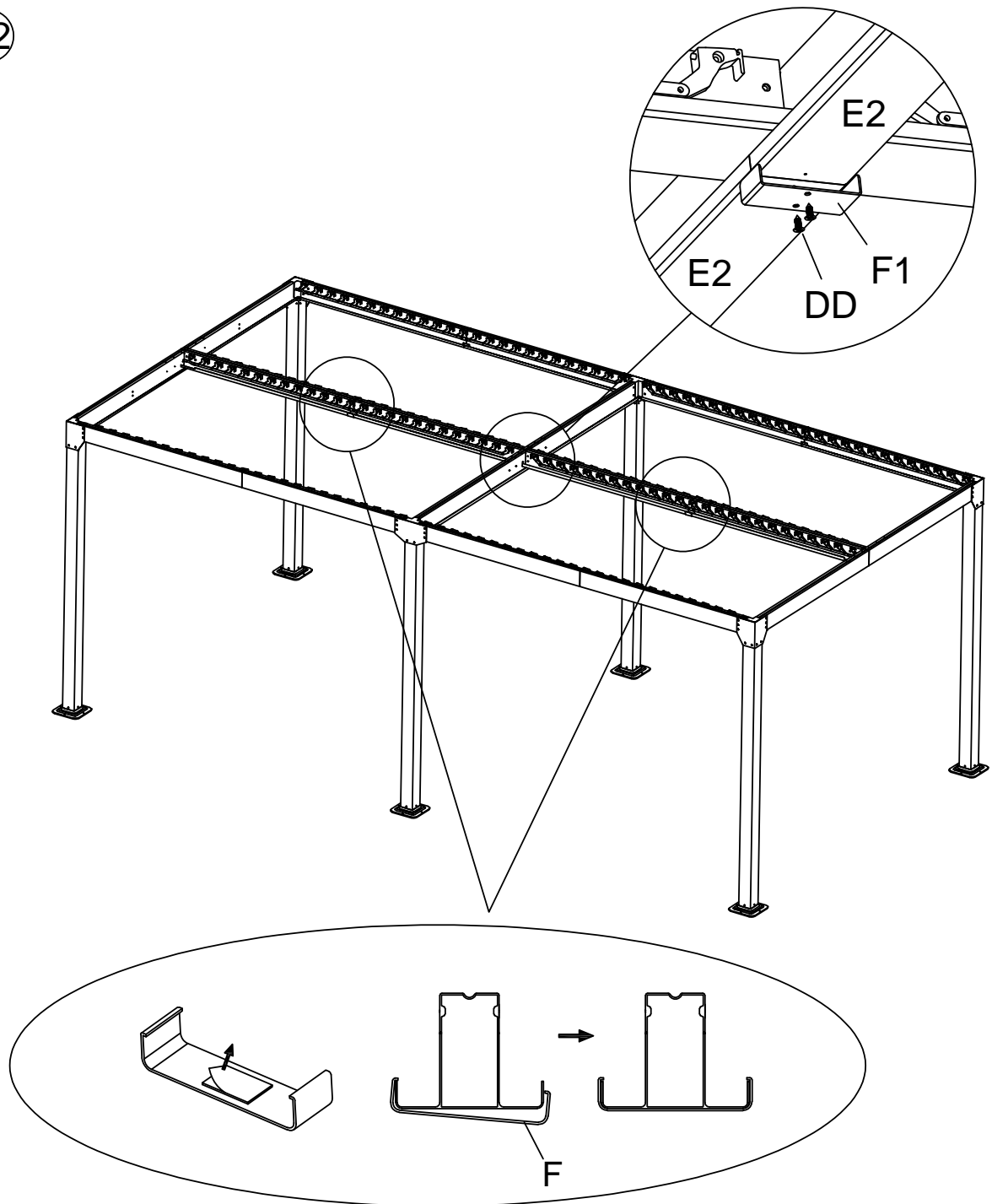
ASSEMBLY

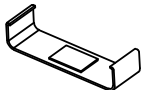

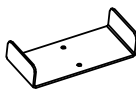


T	4		Y	1	
U	4		EE	8	 M6*10

ASSEMBLY

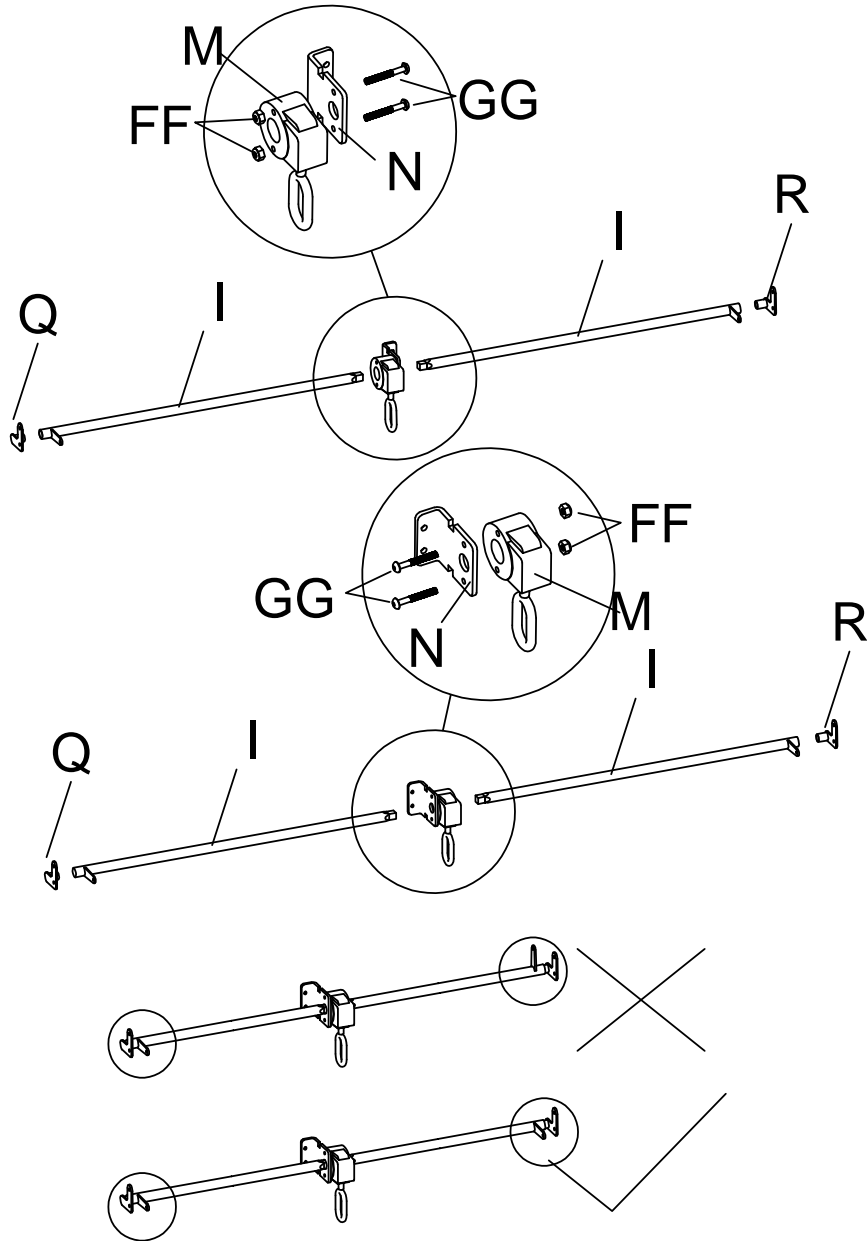
22



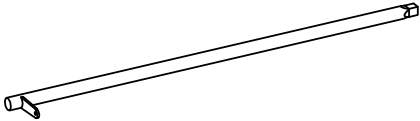

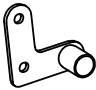

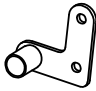


F	2		DD	2	 M4*12
F1	1				

ASSEMBLY

23

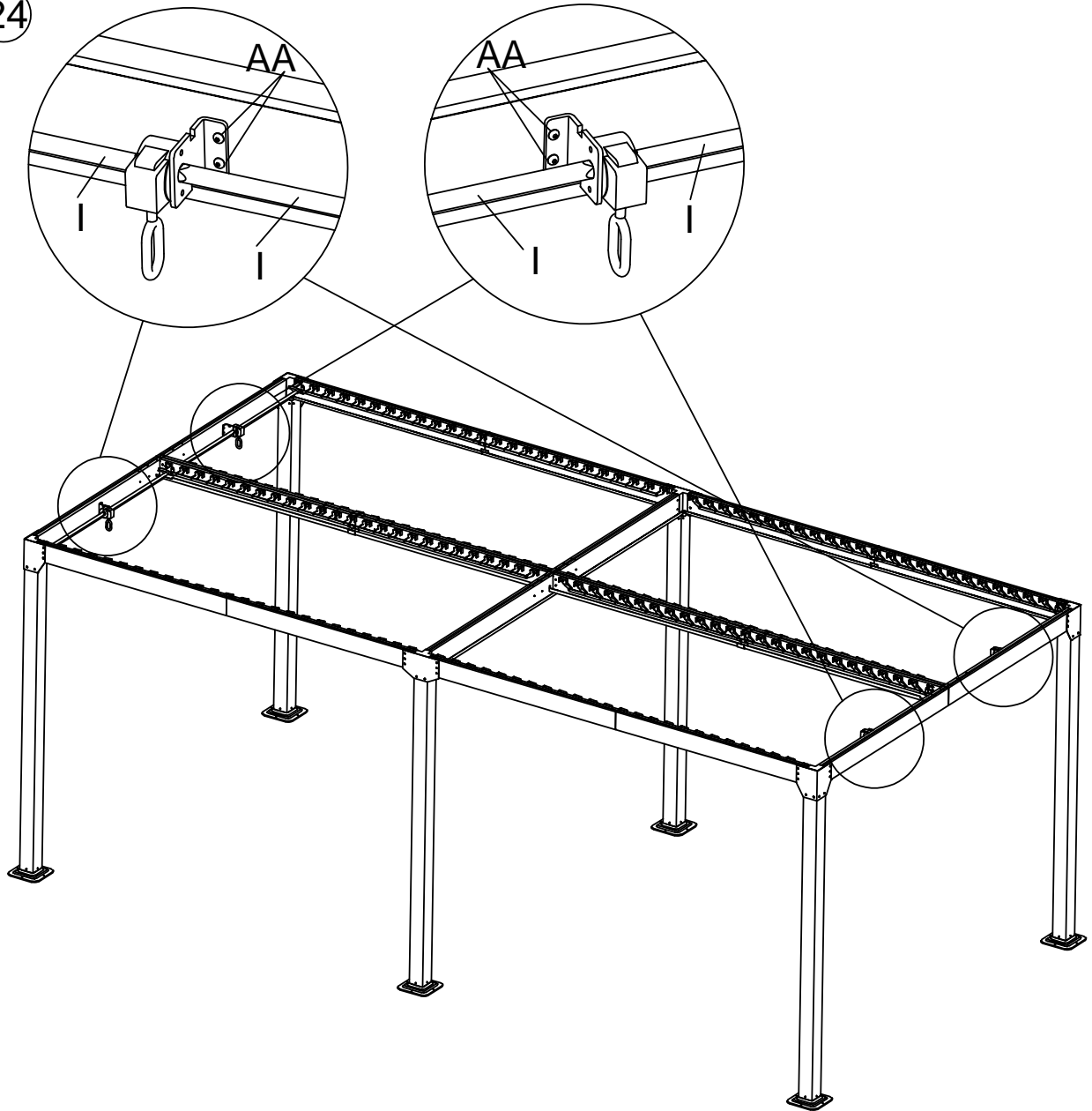



X2

I	8		M	4	
Q	4		N	4	
R	4		GG	8	 M6*40
FF	8	 M6			

ASSEMBLY

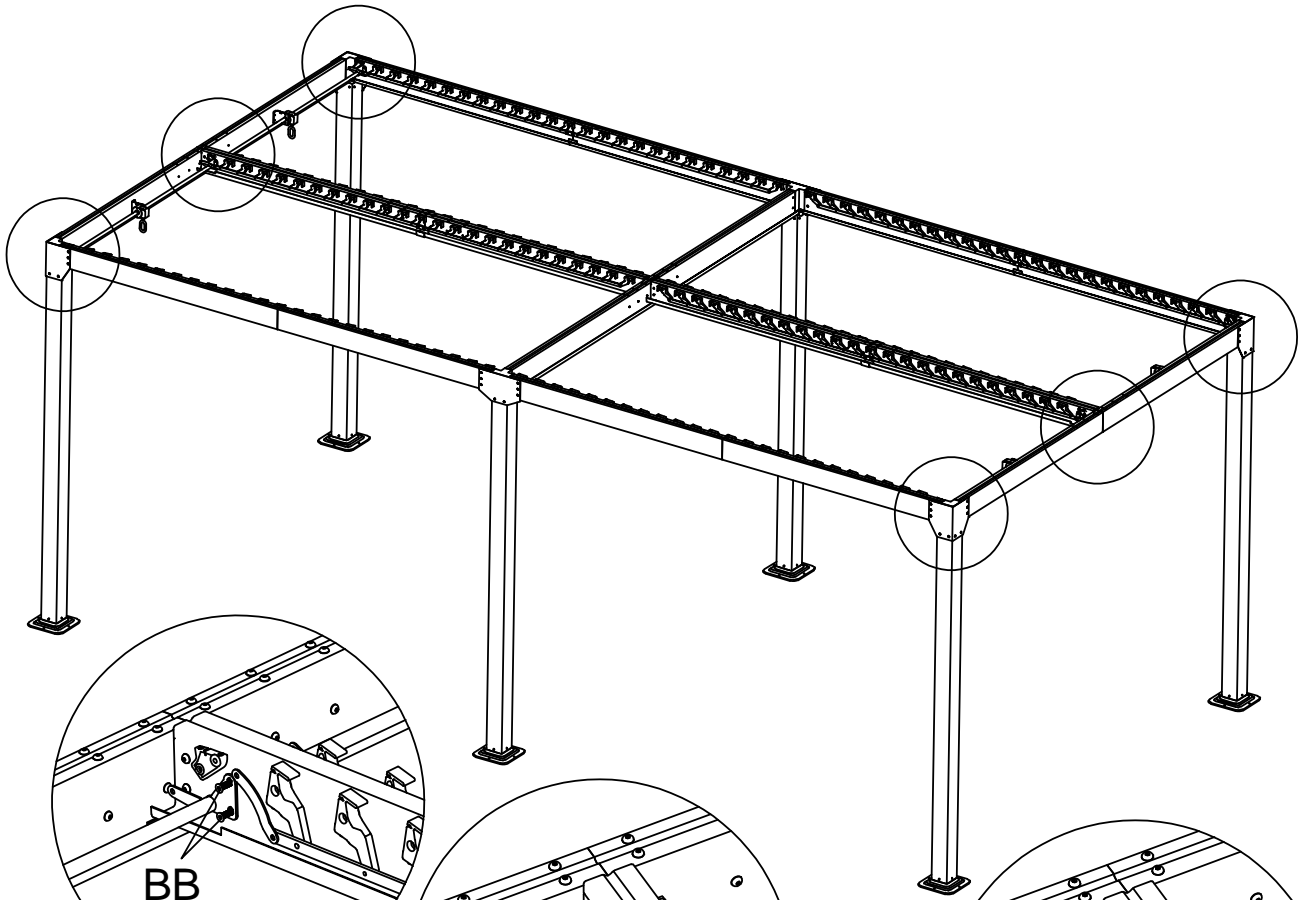
24



AA	8	 M6*18
----	---	---

ASSEMBLY

24



BB

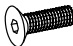

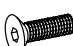
25

CC

26

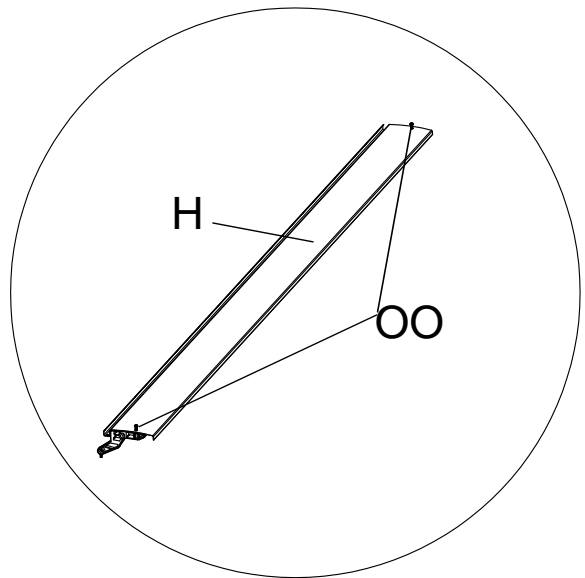
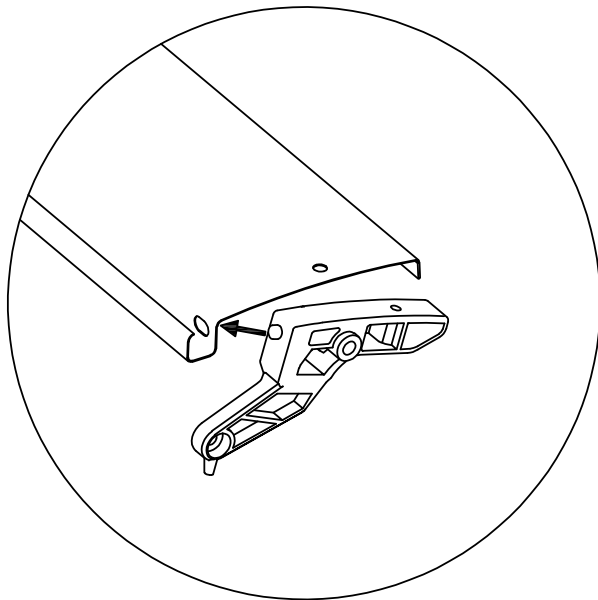
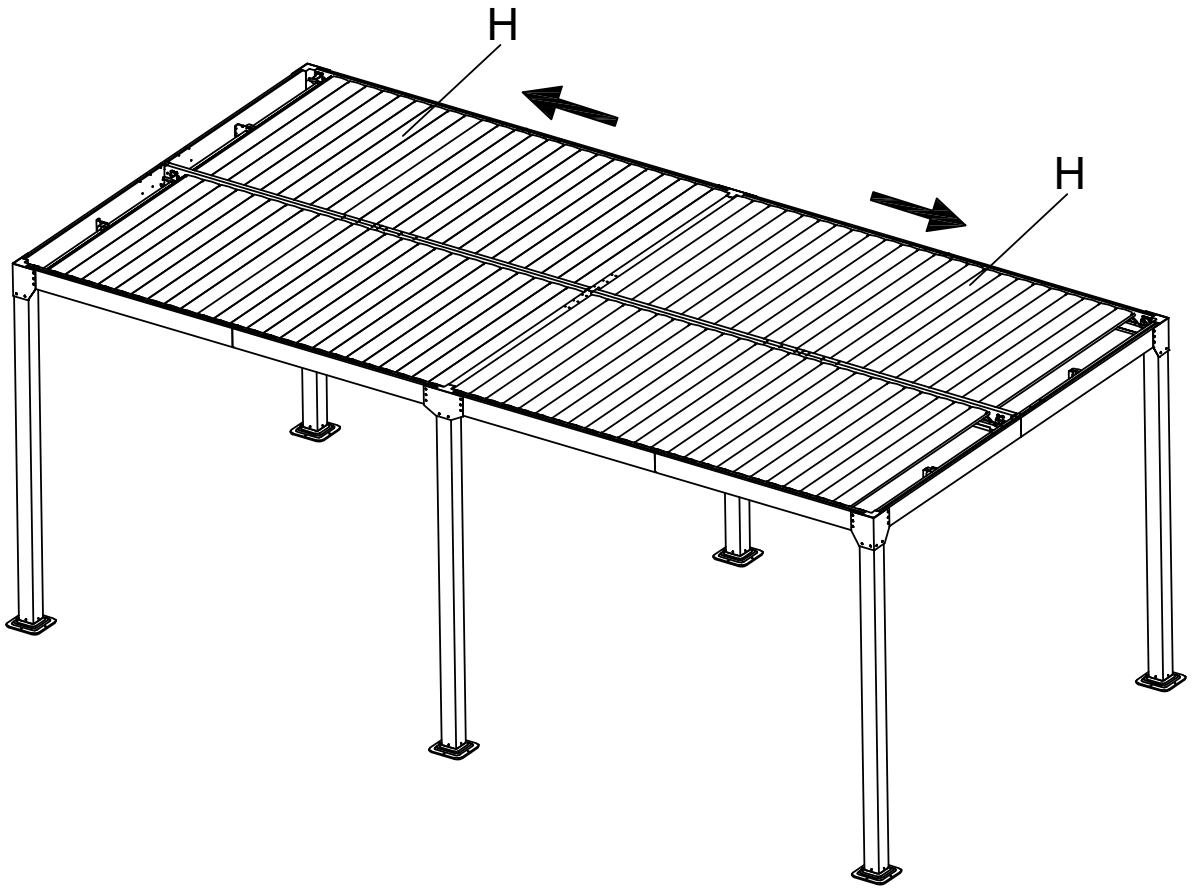
FF


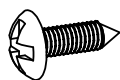
27

CC	8	 M6*13	FF	8	 M6
BB	16	 M6*15			

ASSEMBLY

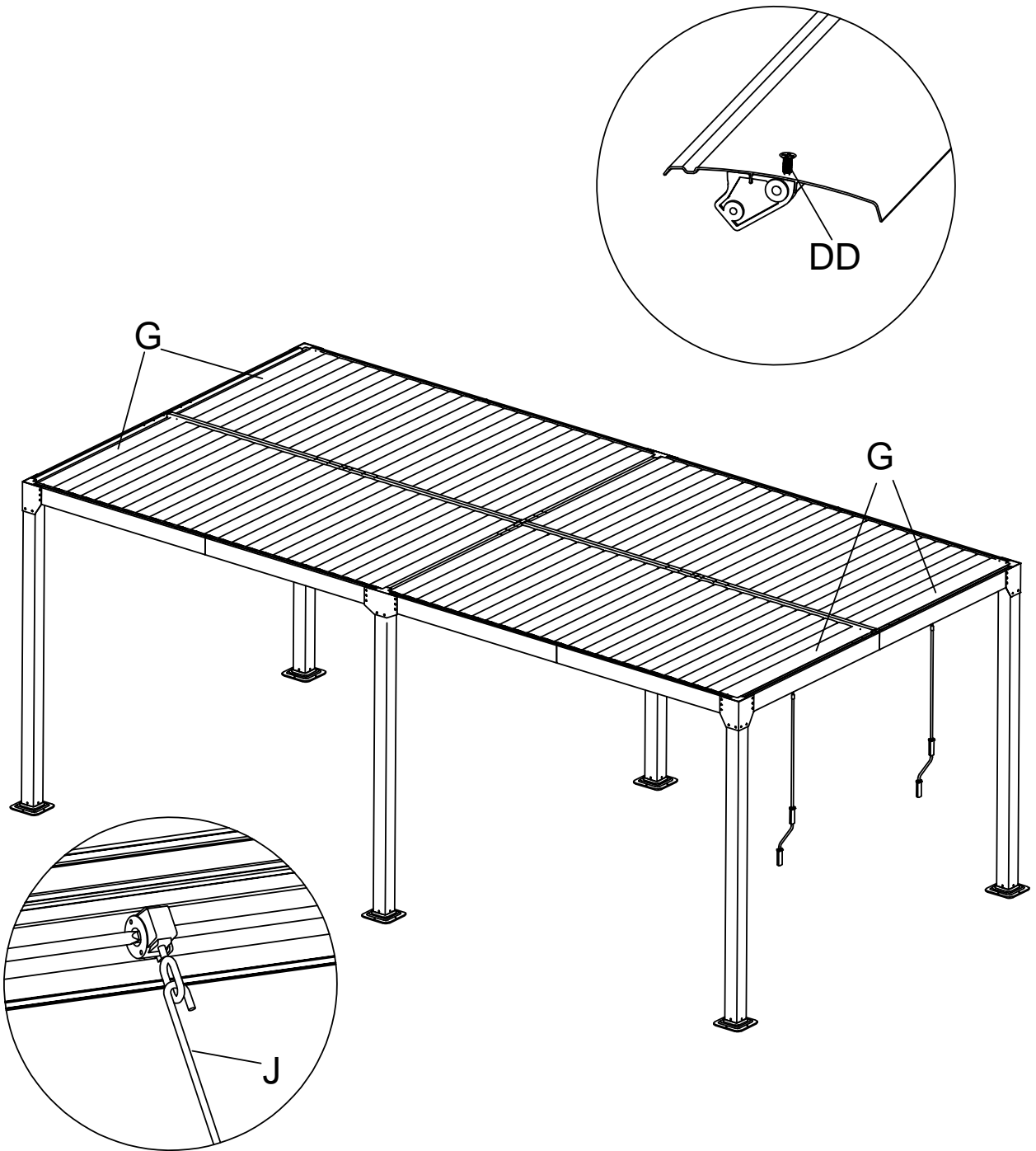
28



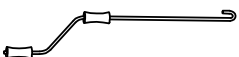


H	96		OO	192		M5*15
---	----	---	----	-----	---	-------

ASSEMBLY

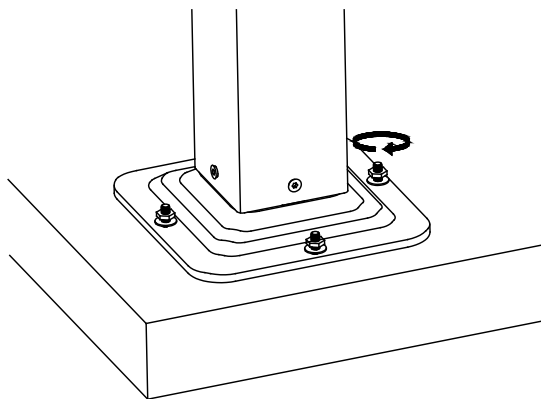
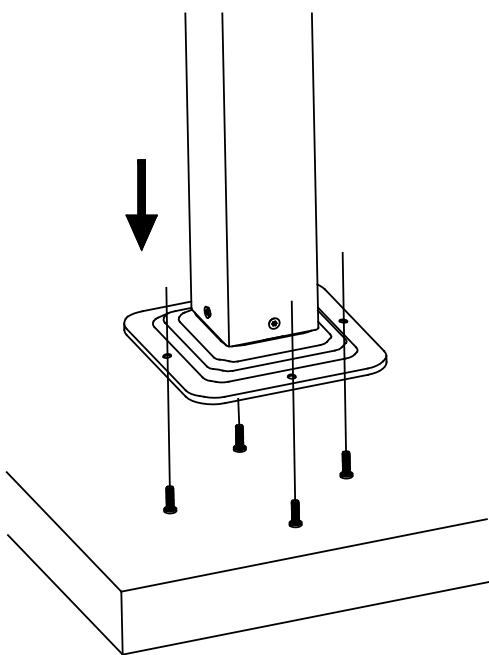
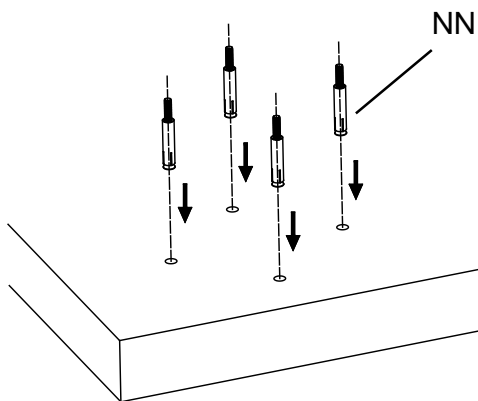
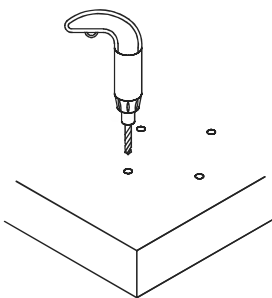
29

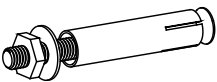


G	4		DD	8	 M4*12
J	2				

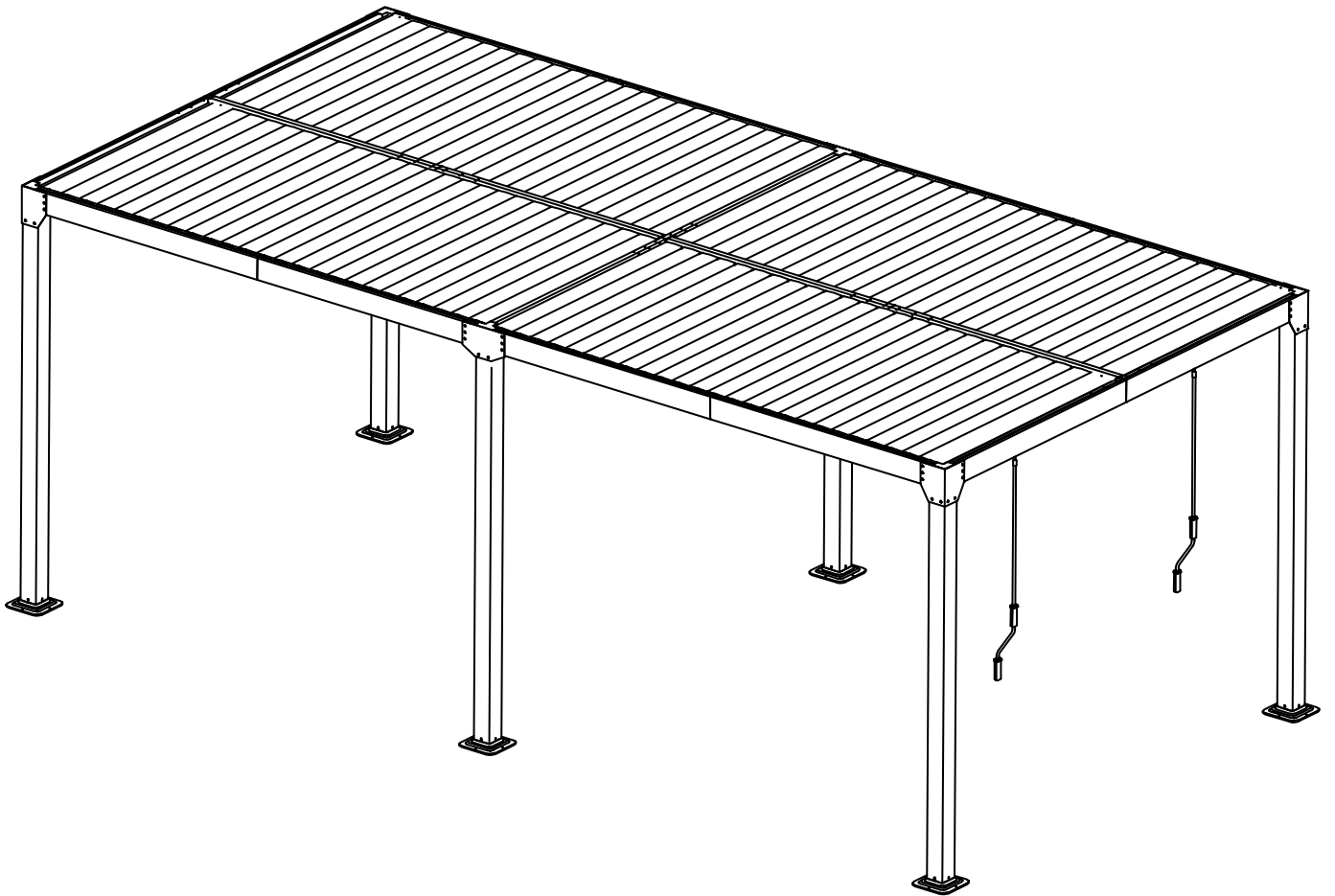
ASSEMBLY

30



NN	24	
----	----	---

ASSEMBLY



Installation Completed

Installation Abgeschlossen

Installation Compl é t é e

Installazione Completata

Instalaci ó n Completada