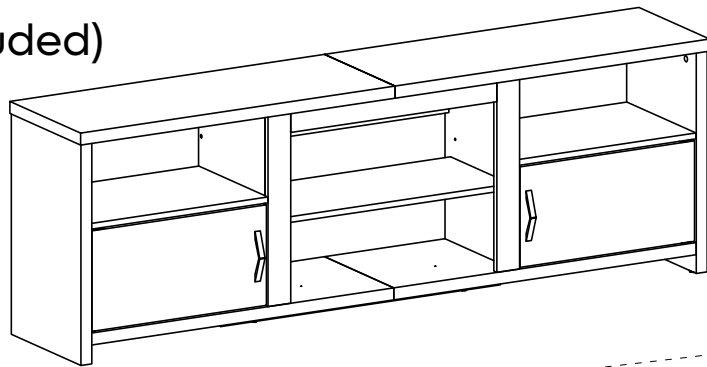


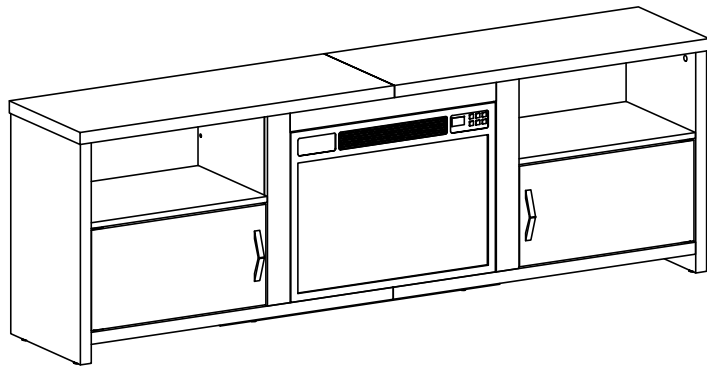
ASSEMBLY INSTRUCTION

71" TV Stand/Fireplace TV stand

(Fireplace not included)



(Fireplace included)



HELPFUL HINTS

⚠️ BEFORE YOU START

- Inspect product packaging to ensure the appearance is good.
- Read the assembly instruction carefully and follow it step by step.
- To avoid any scratching, putting a soft blanket on the floor is suggested.
- Identify, sort and count all the parts with tags.
- Find out installation position according to the drawing and install it in correct steps.



OTHER

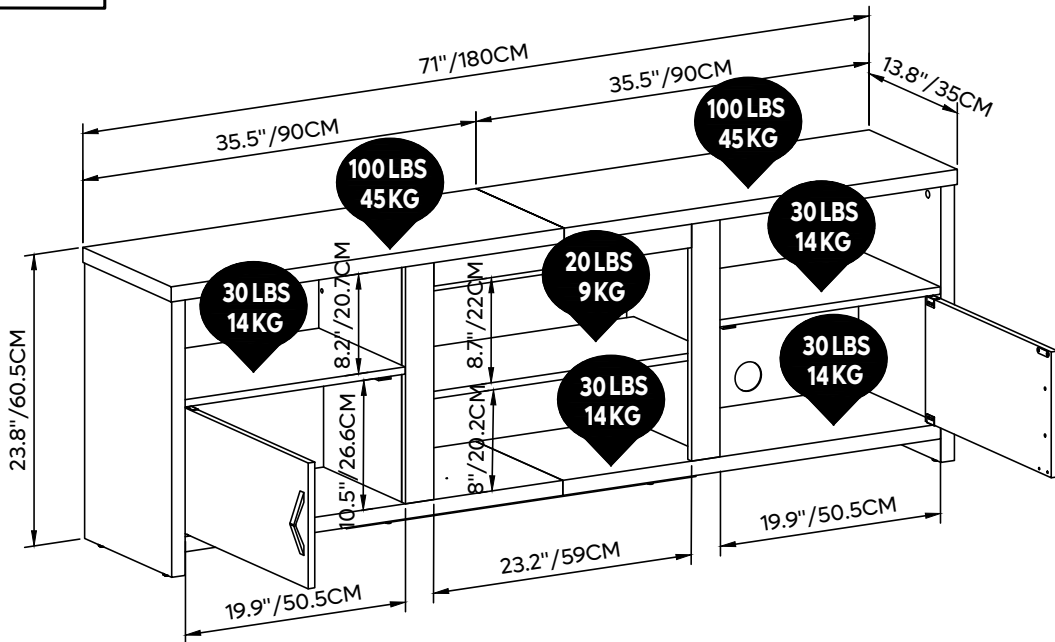
- People needed for assembly: 1-2.
- Estimated assembly time: 0.5-1h.

⚠️ CAUTION

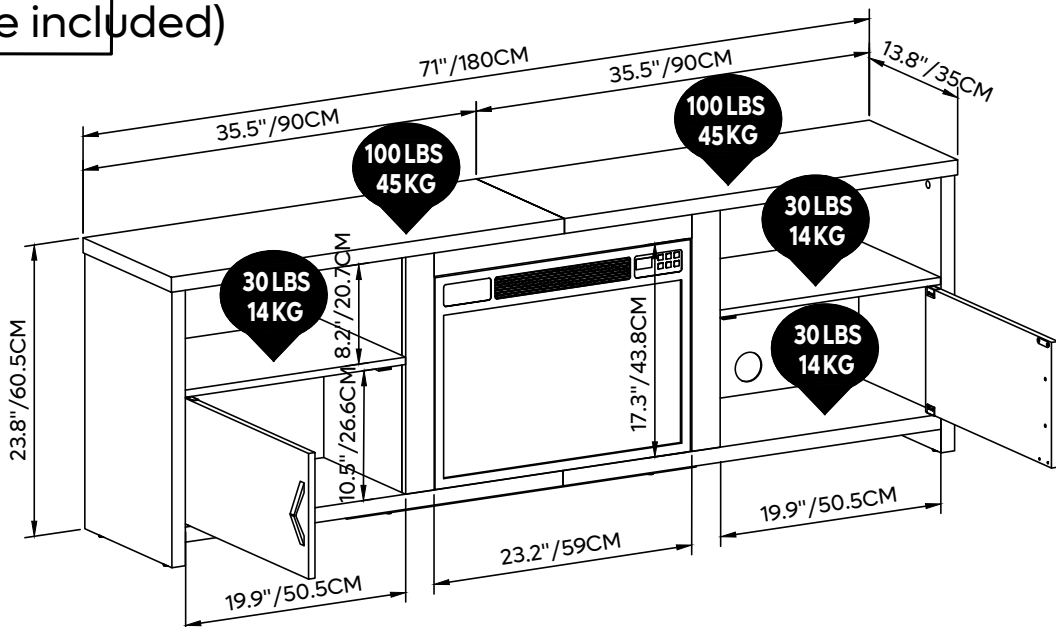
- Be cautious when using a power drill or power screwdriver.
- Please be aware to slow down and stop when screw is nearly tight.
- Do Not use any harsh chemicals or abrasive cleaners for this item.
- Push, pull or drag this item carefully.

DETAILS

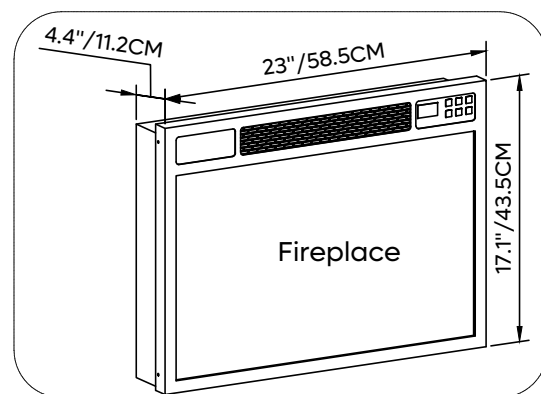
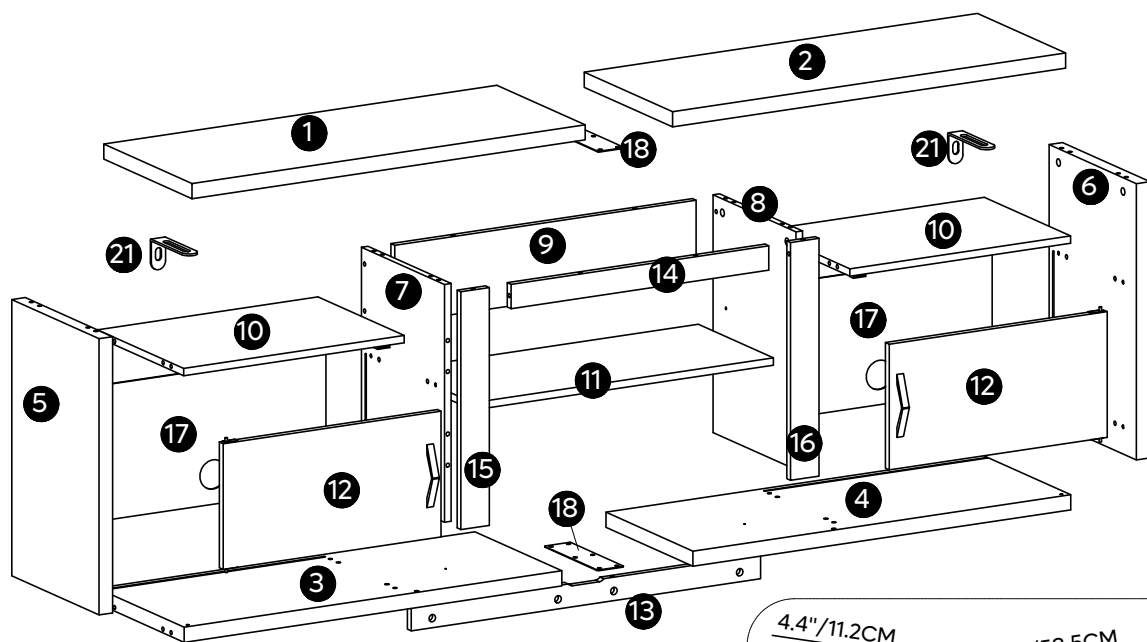
(Fireplace not included)



(Fireplace included)

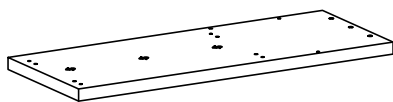


DETAILS



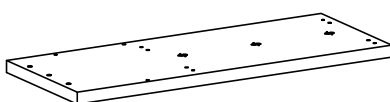
PART LIST

1



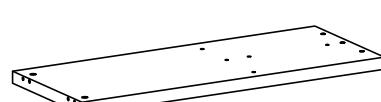
X1

2



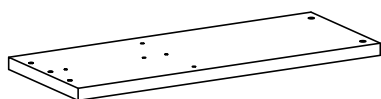
X1

3



X1

4



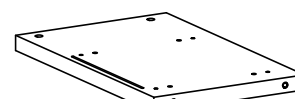
X1

5



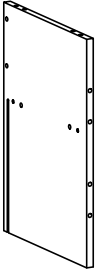
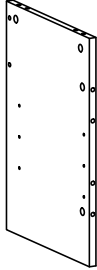
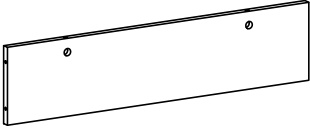


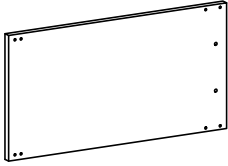
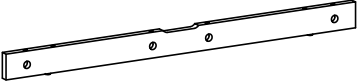



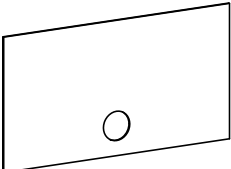


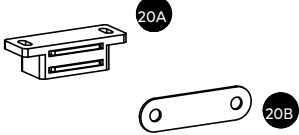

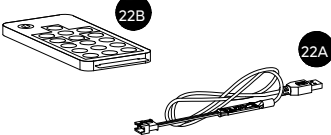
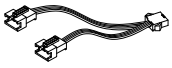

X1

6

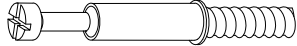
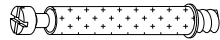

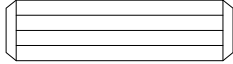
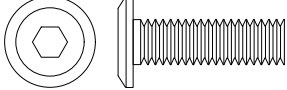
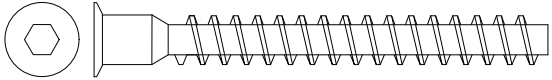
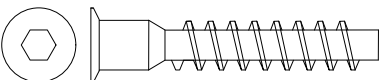
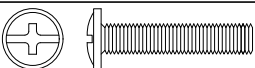
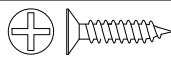
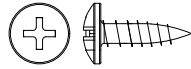
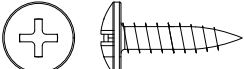
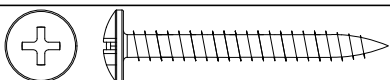
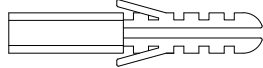
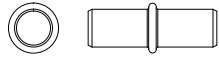





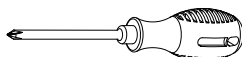



X1

PART LIST

<p>7</p>  <p>X1</p>	<p>8</p>  <p>X1</p>	<p>9</p>  <p>X1</p>
<p>10</p>  <p>X2</p>	<p>11</p>  <p>X1</p>	<p>12</p>  <p>X2</p>
<p>13</p>  <p>X1</p>	<p>14</p>  <p>X1</p>	<p>15</p>  <p>X1</p>
<p>16</p>  <p>X1</p>	<p>17</p>  <p>X2</p>	<p>18</p>  <p>X2</p>
<p>19</p>  <p>X2</p>	<p>20</p>  <p>X2</p>	<p>21</p>  <p>X4</p>
<p>22</p>  <p>X1</p>	<p>23</p>  <p>X1</p>	<p>005-400LED</p> 

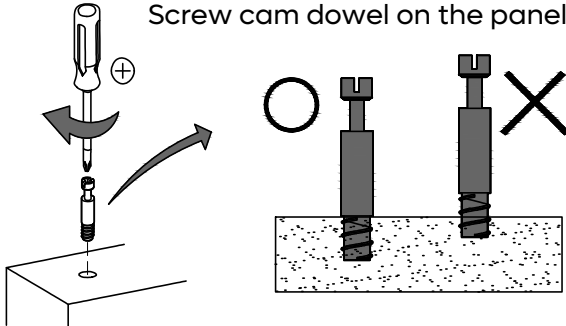
ACCESSORY LIST

A	ST6x45mm	24+1	
B	ST6x35mm	8+1	
C	Ø15mm	32+2	
D	Ø8x30mm	36+4	
E	M6x20mm	12+1	
F	ST7x60mm	4+1	
G	ST7x38mm	4+1	
H	M4x20mm	4+1	
I	ST3x14mm	16+1	
J	ST3.5x12mm	20+1	
K	ST4x16mm	4+1	
L	ST4x35mm	2	
M	Ø8mm	2	
N	Ø5x17mm	4+1	
O		8+1	
P		2	
Q		2	
R		2	
S		4	
		1	
	M4	1	

Detailed Installation for Accessory A B C

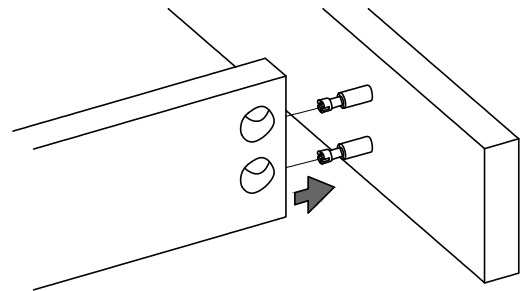
1

Screw cam dowel on the panel.



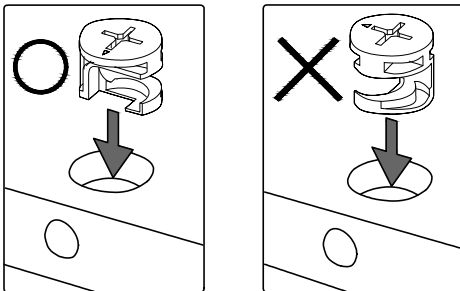
2

Place another panel via the dowel.



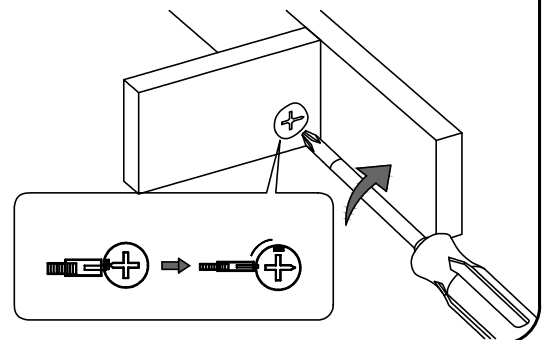
3

Pay attention to the direction of cam lock when putting it into hole.



4

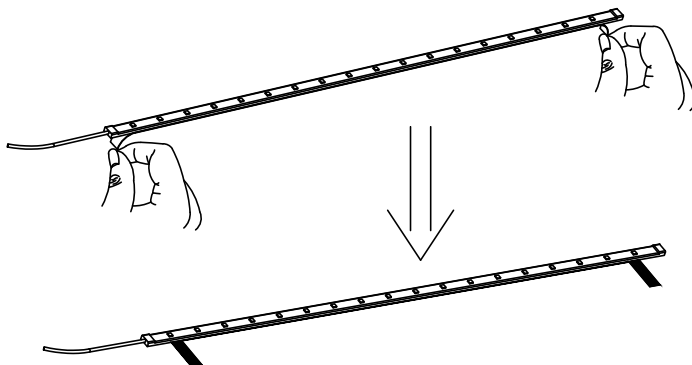
Tighten up cam lock clockwise until it stops.



Detailed Installation for LED Strip

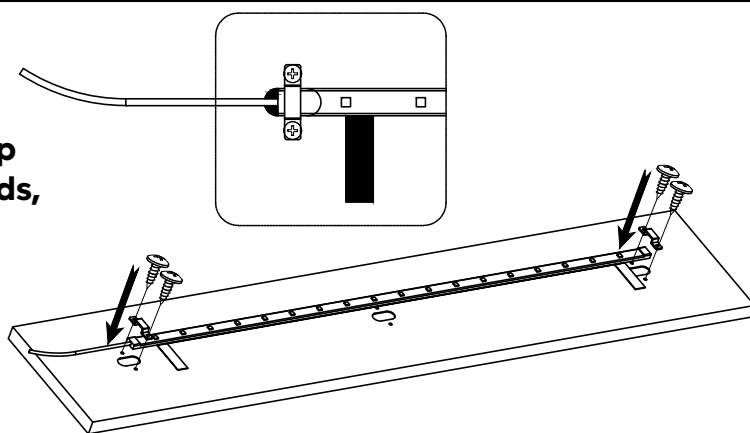
1

- Remove about 25cm (1 ") of adhesive tape at both ends of LED light strip.



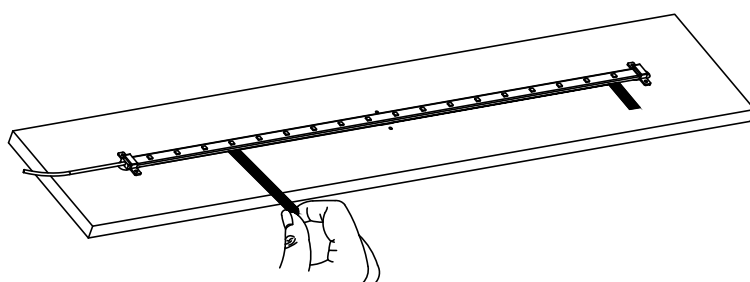
2

- The head and tail of the LED light strip are stuck into the grooves at both ends, and the fixing parts at both ends are locked with screws.



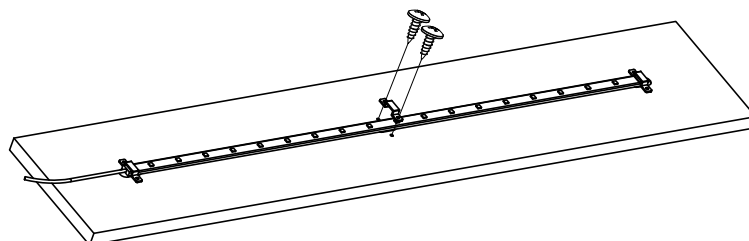
3

- Tear off the whole protective paper, and flatten the strip light so that the LED light strip is completely adhered to the wood.

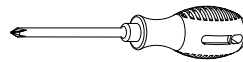
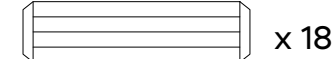
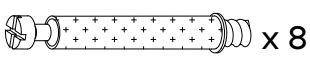
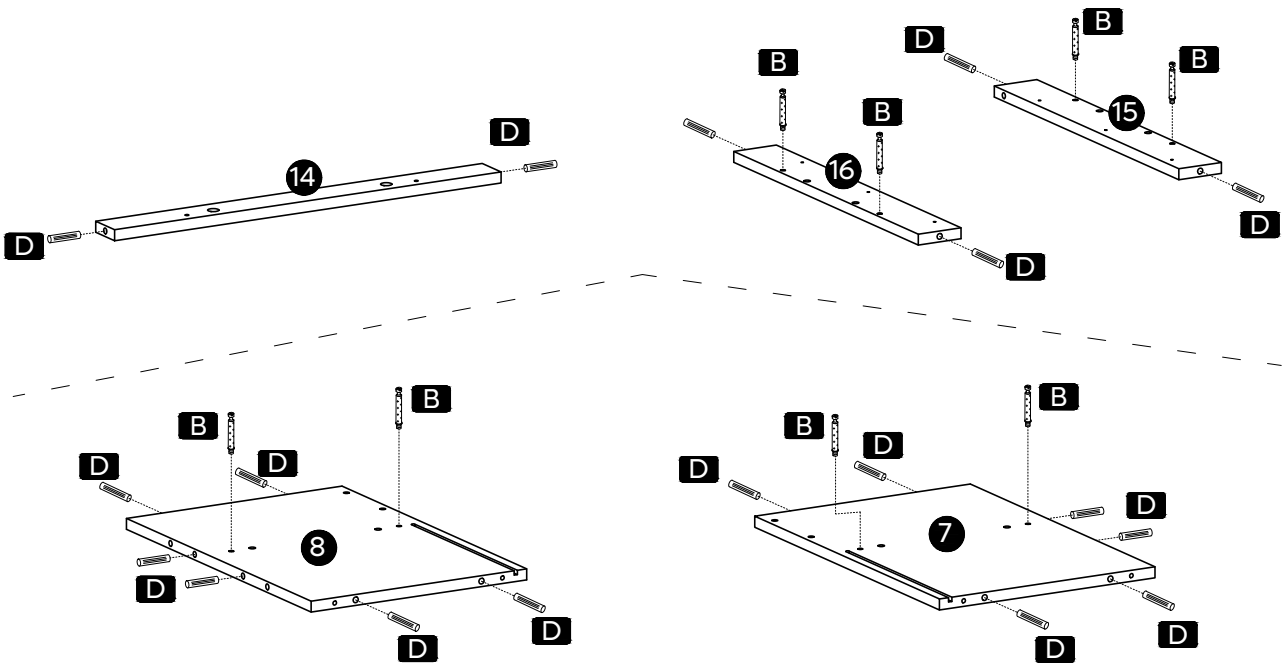


4

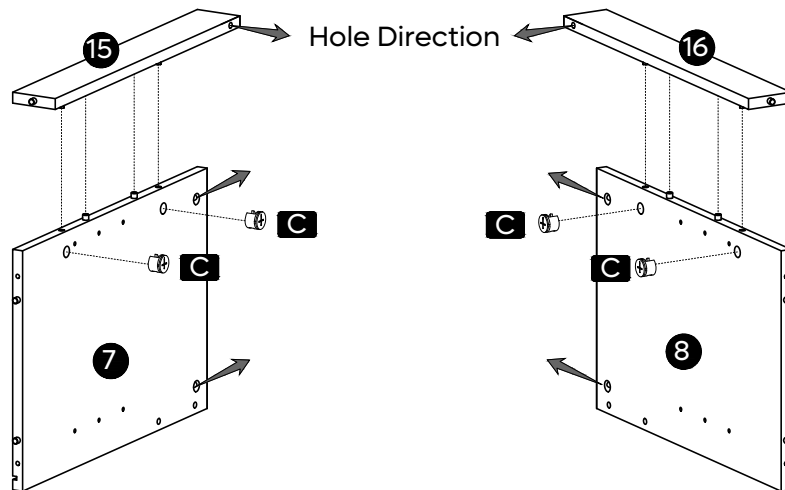
- Lock the remaining fixings.



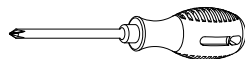
1



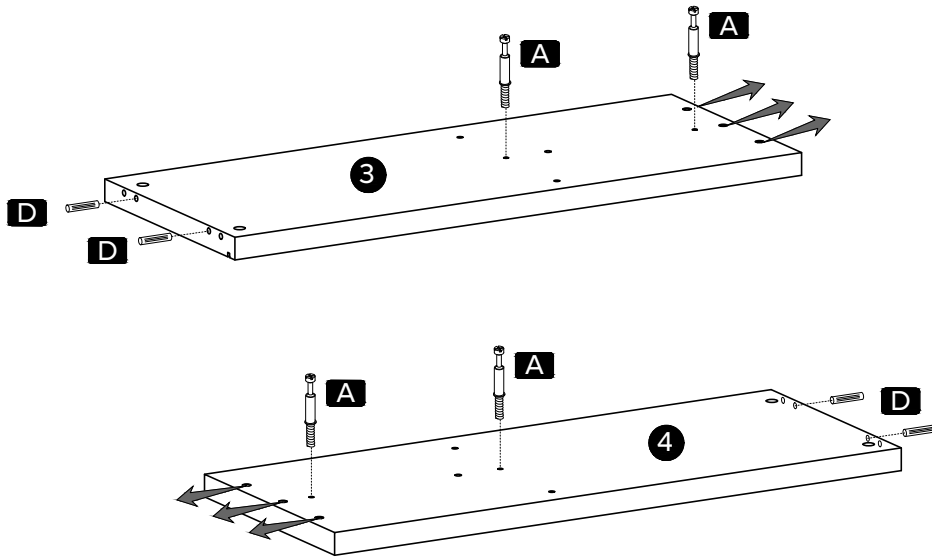
2



C Ø15mm

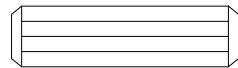


3



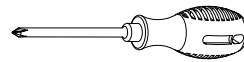
x 4

A ST6x45mm

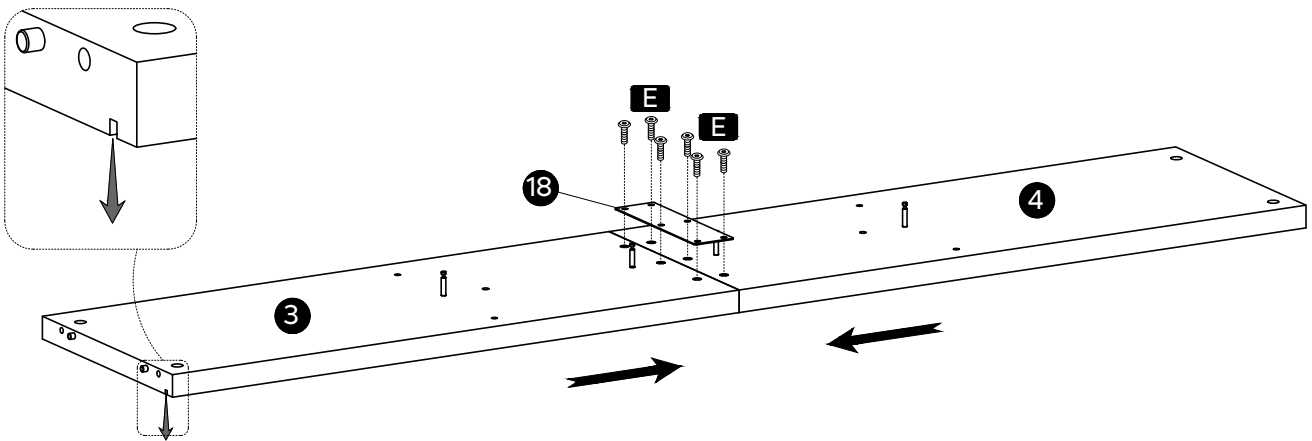


x 4

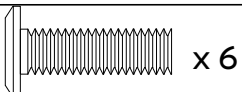
D Ø8x30mm



4



E

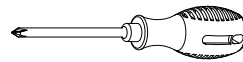
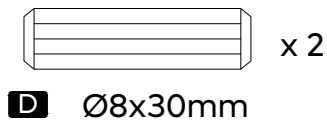
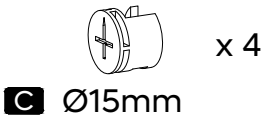
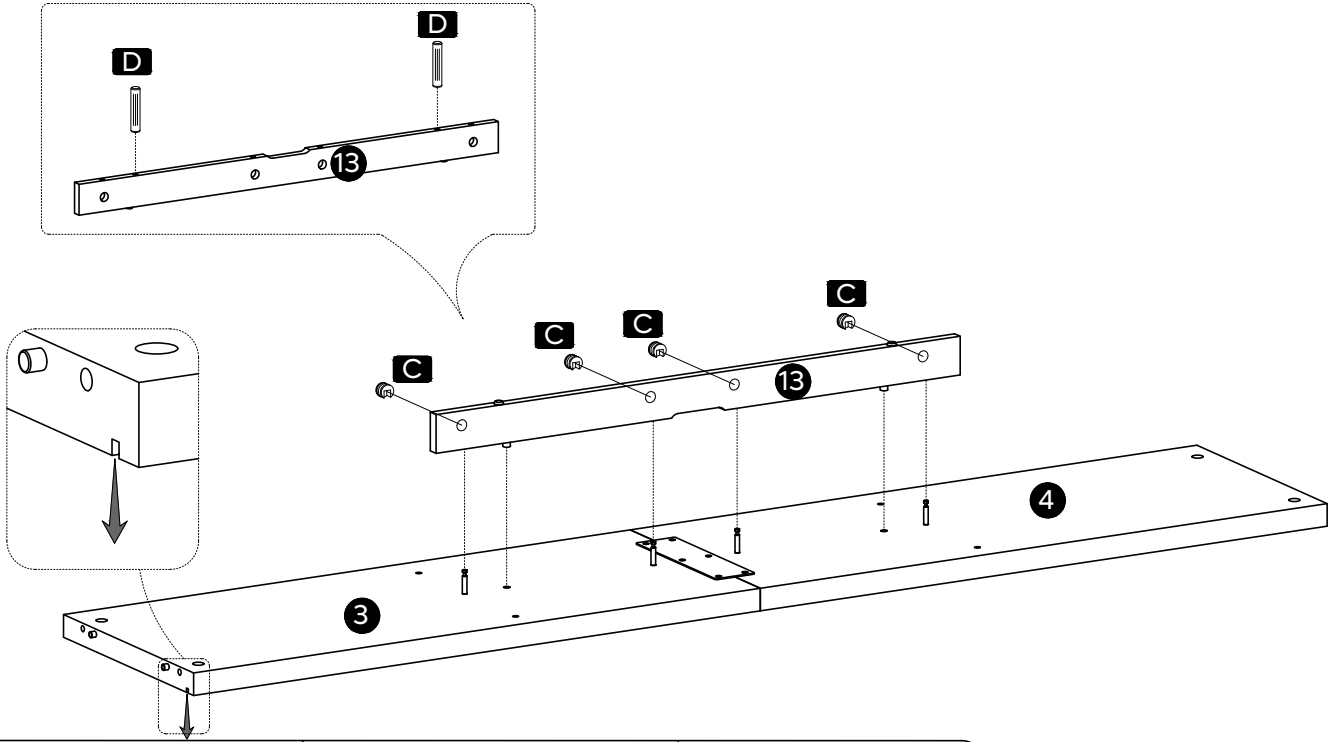


x 6

M6x20mm

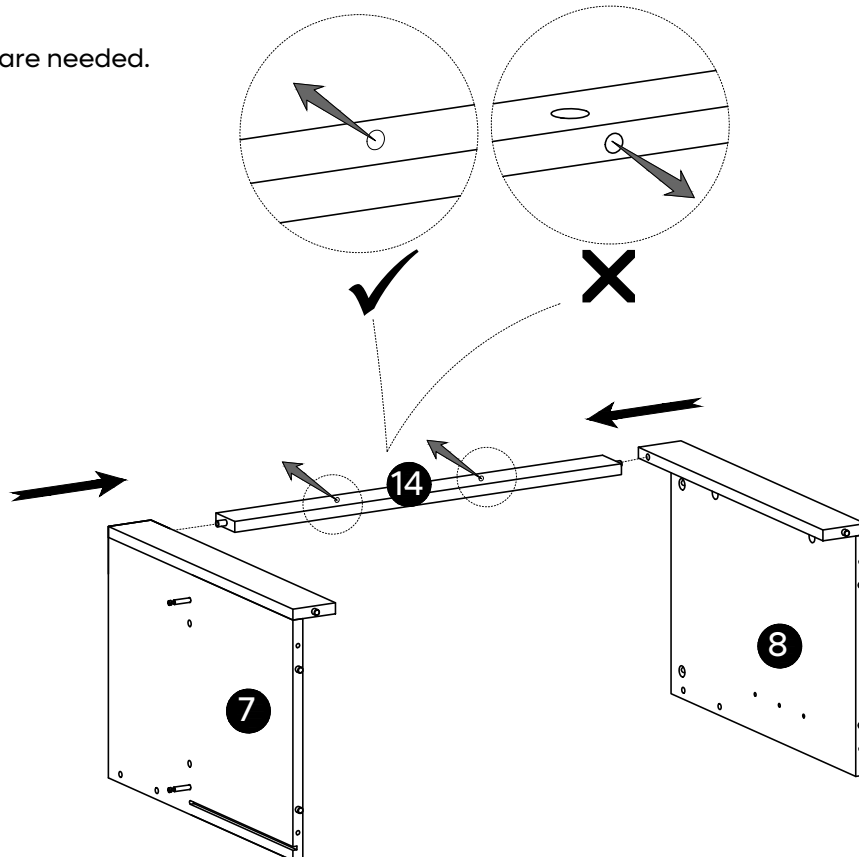


5



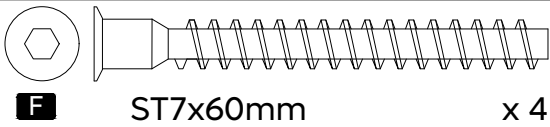
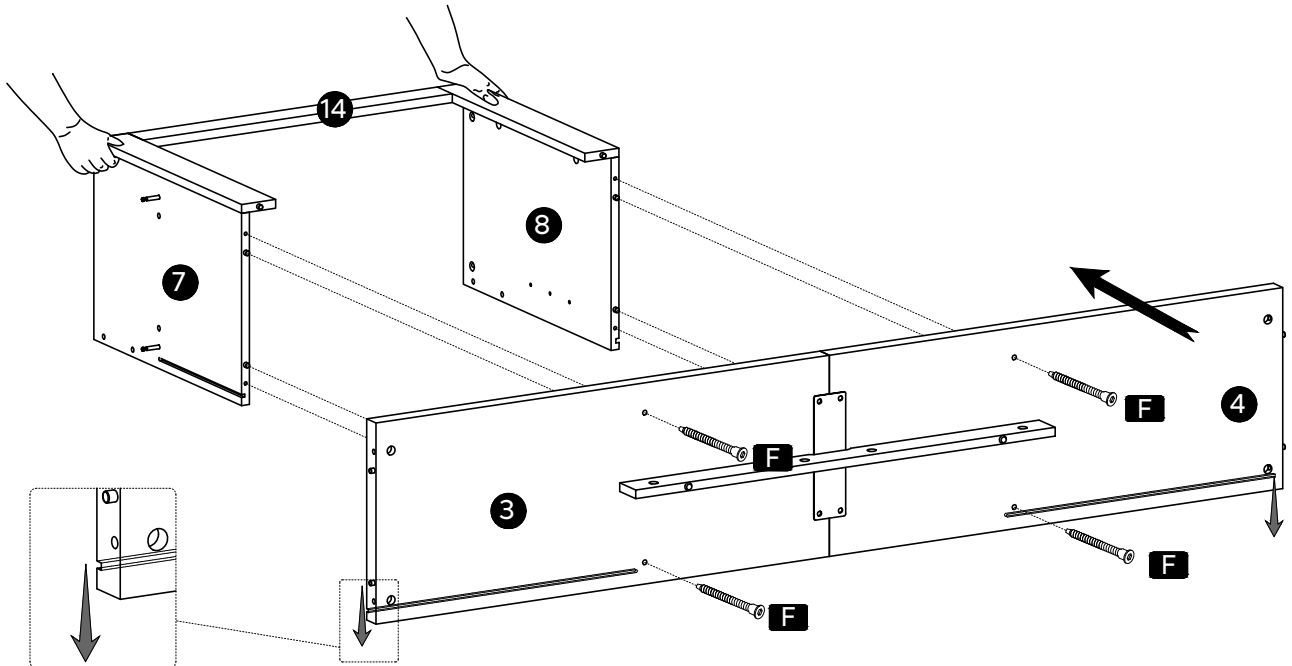
6

※ Two persons are needed.

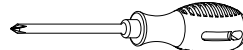
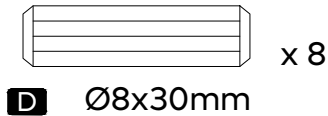
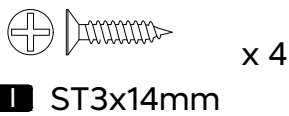
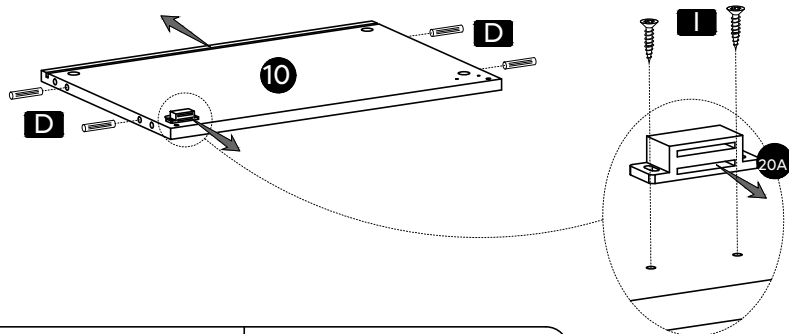
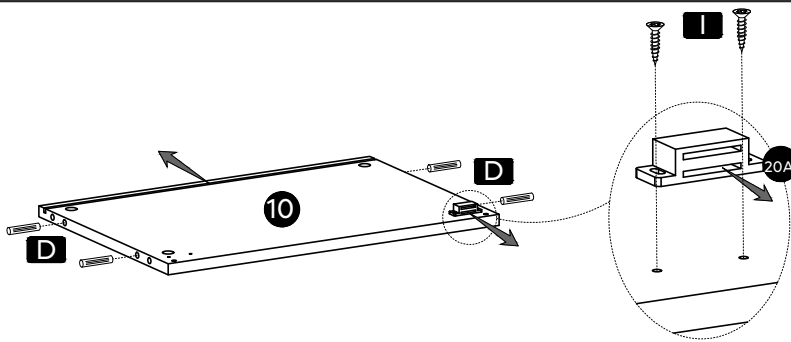


7

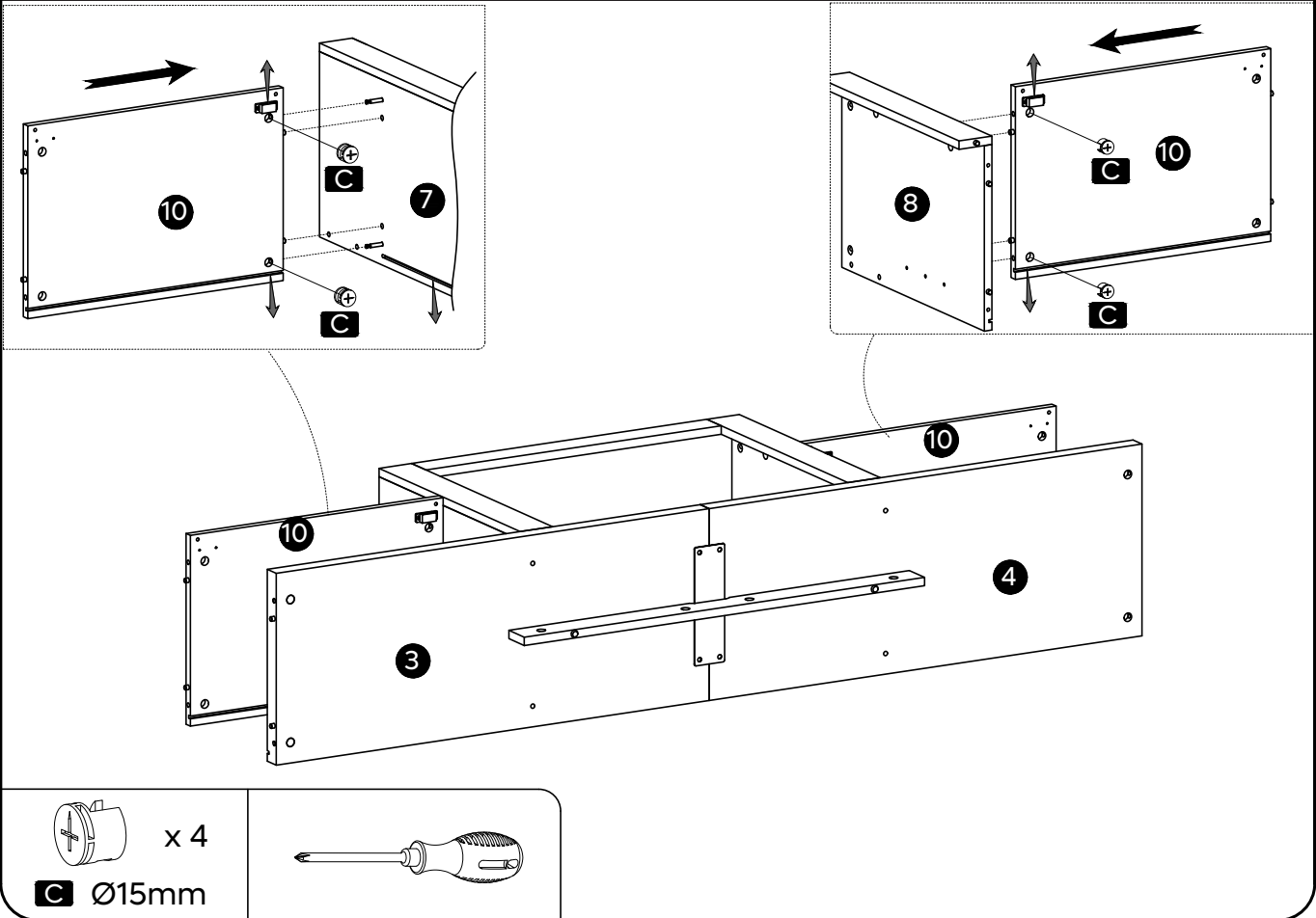
※ Two persons are needed : one person for holding; Then another person move the bottom ,And tighten the screw "F".



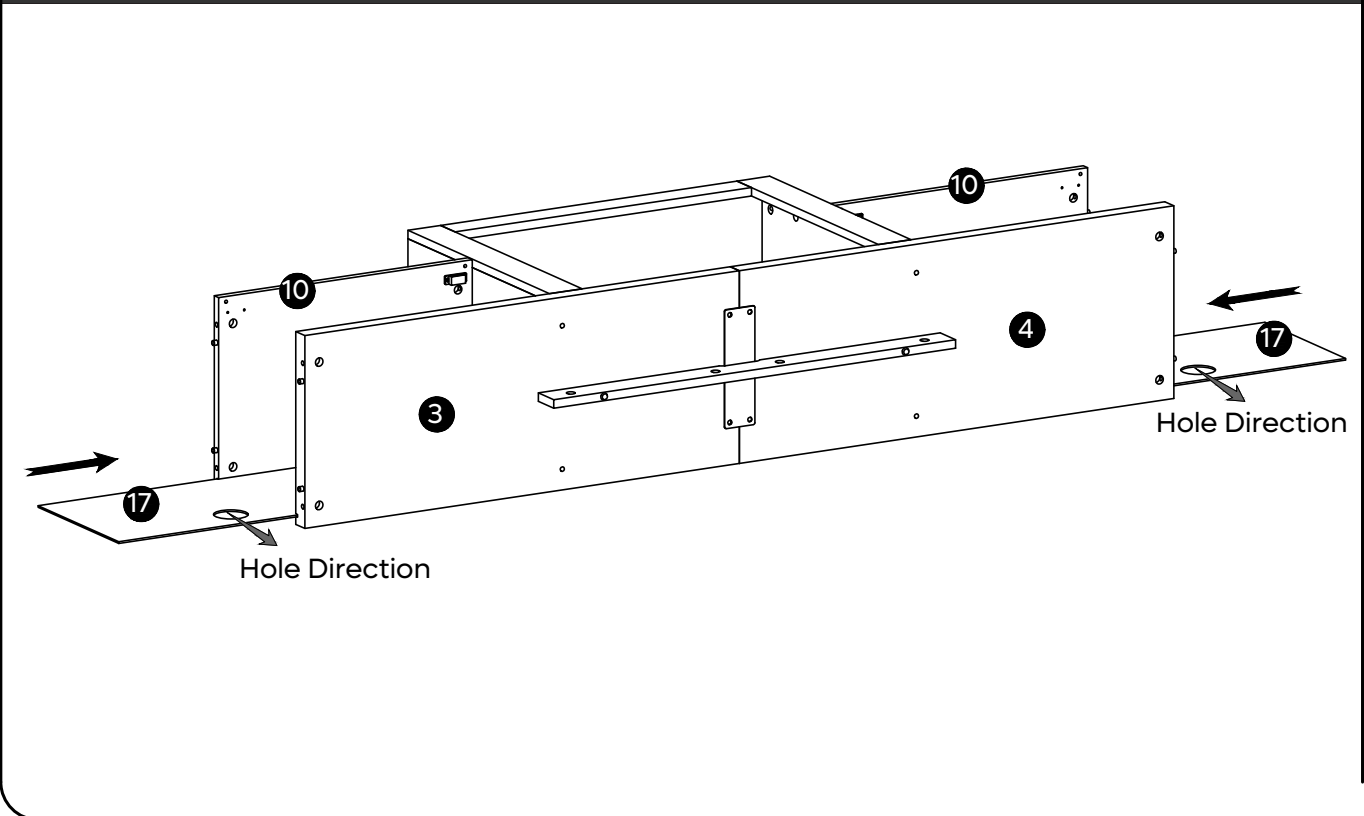
8



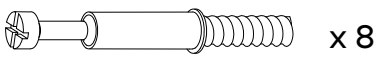
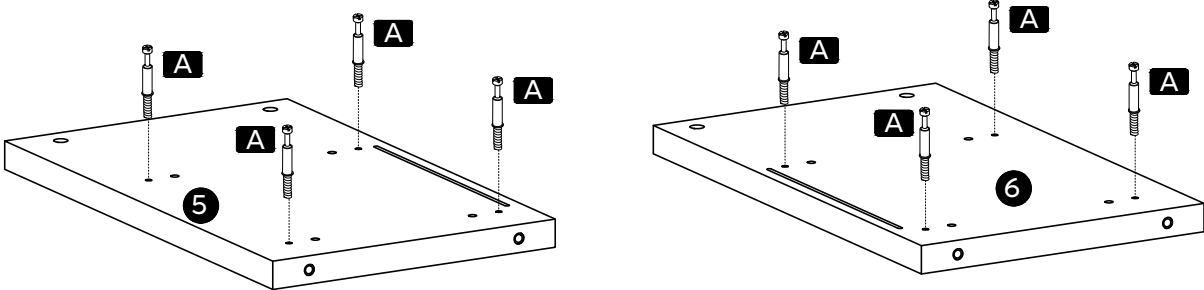
9



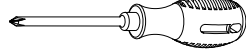
10



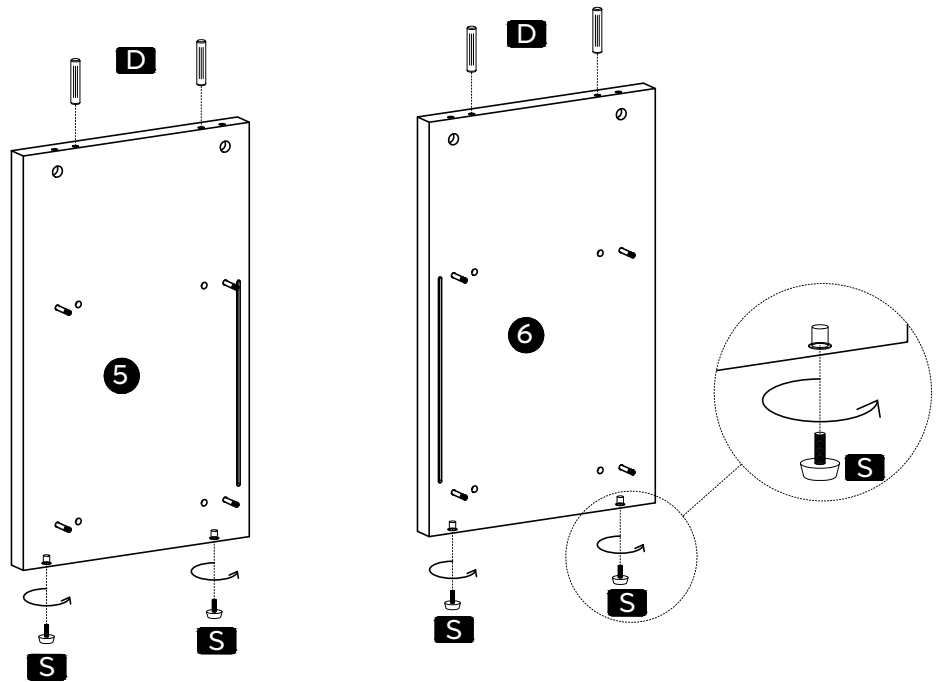
11



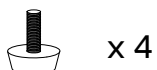
A ST6x45mm



12

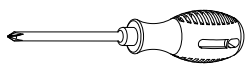
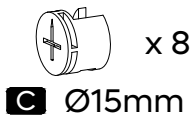
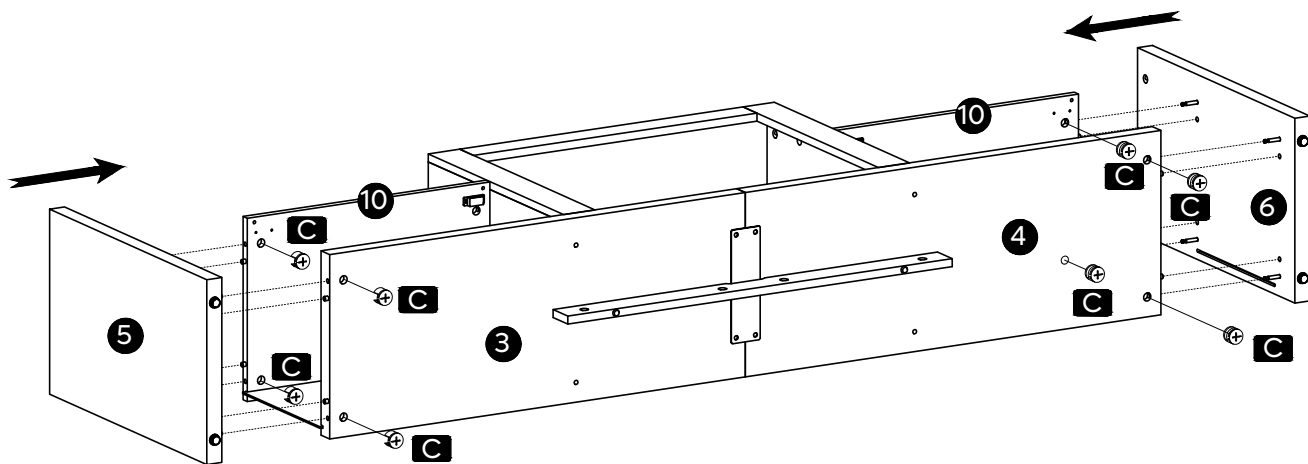


D Ø8x30mm



S

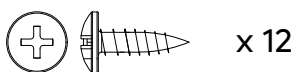
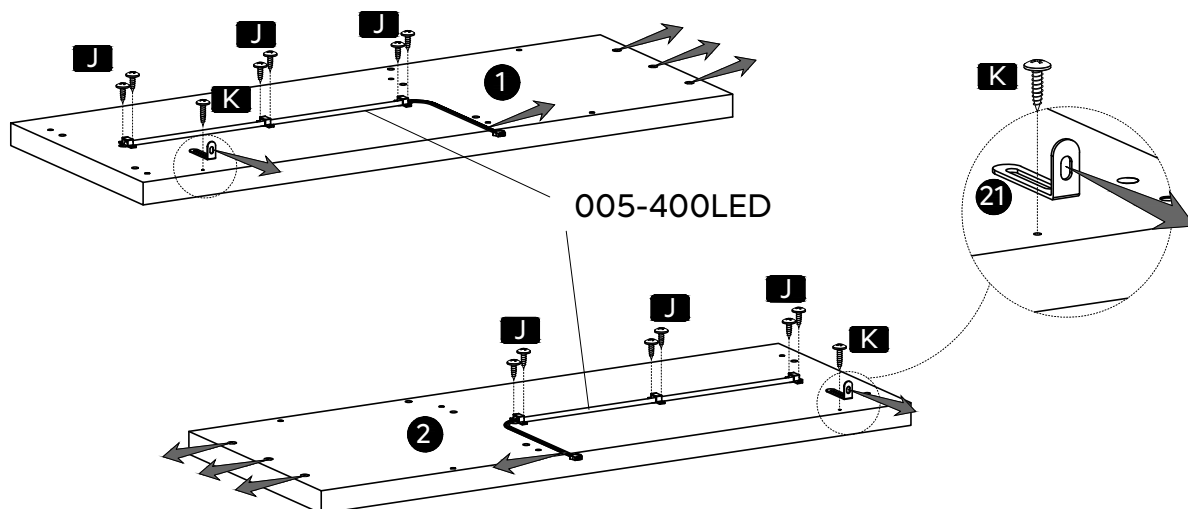
13



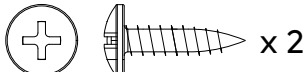
C Ø15mm

14

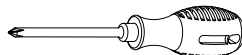
● Please refer to "Detailed Installation for LED Strip" on page "7".



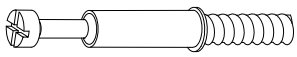
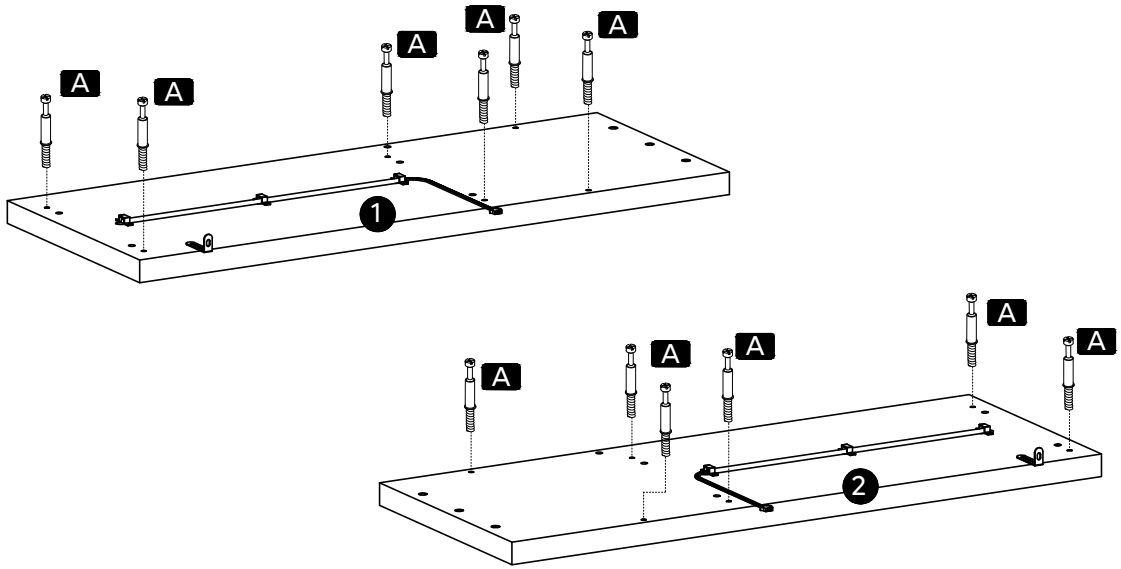
J ST3.5x12mm



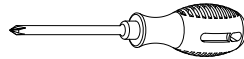
K ST4x16mm



15

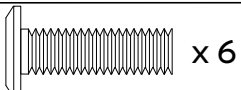
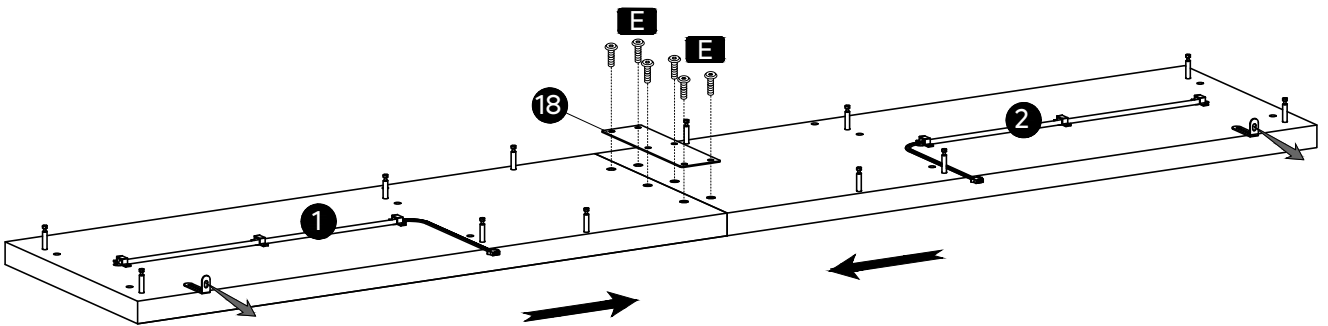


x 12



A ST6x45mm

16



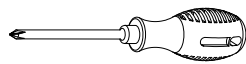
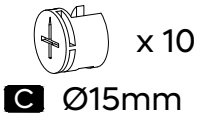
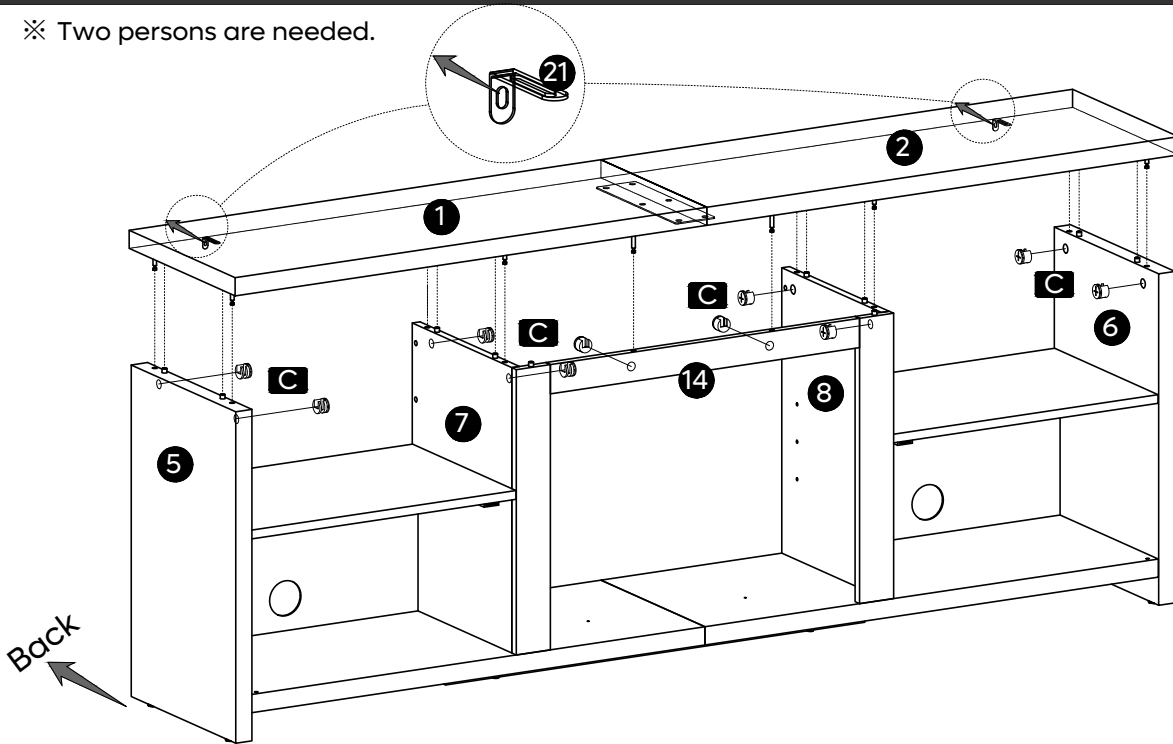
x 6



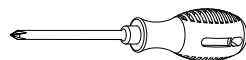
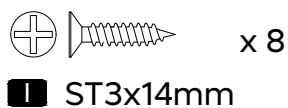
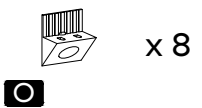
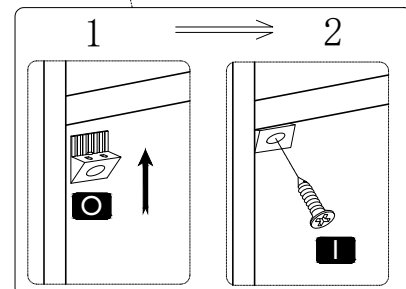
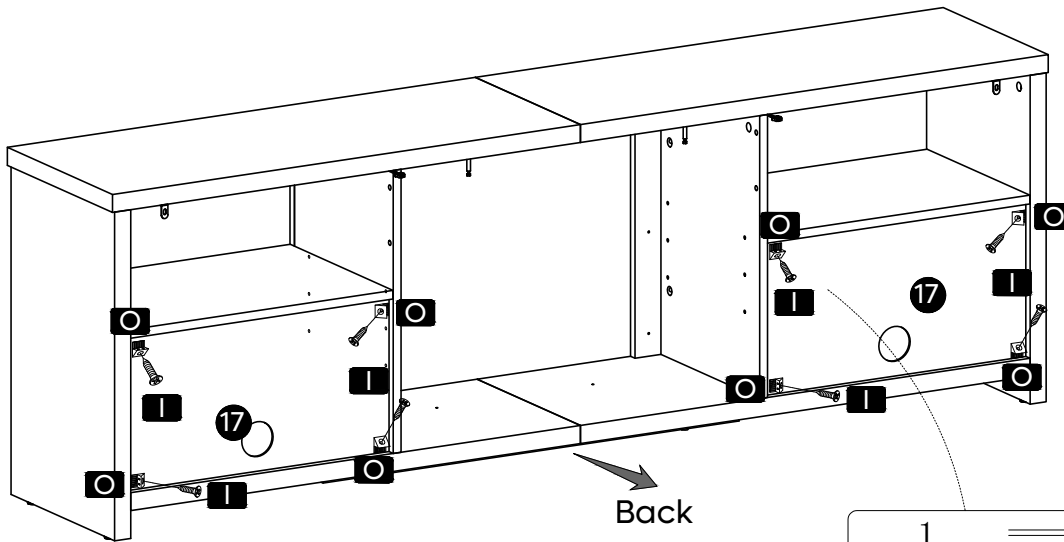
E M6x20mm

17

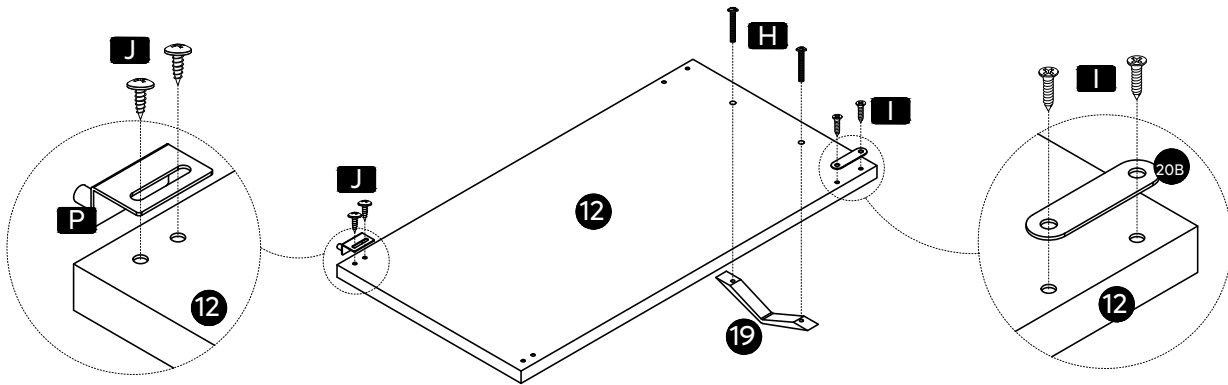
※ Two persons are needed.



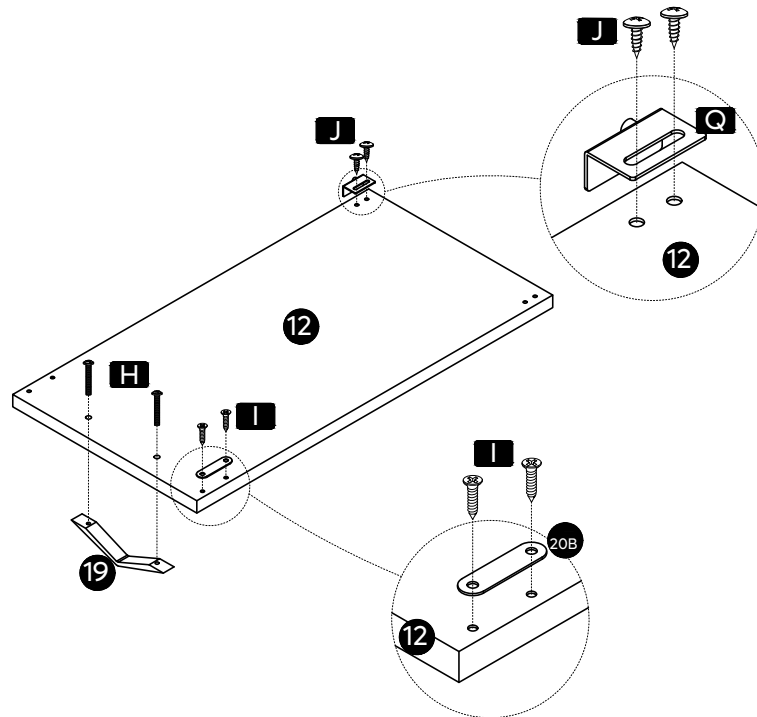
18


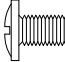

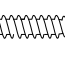

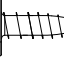


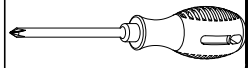


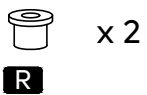
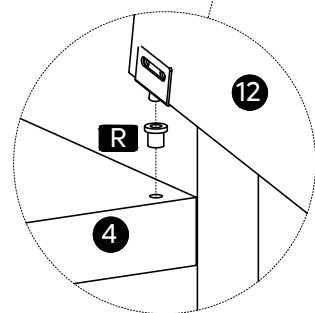
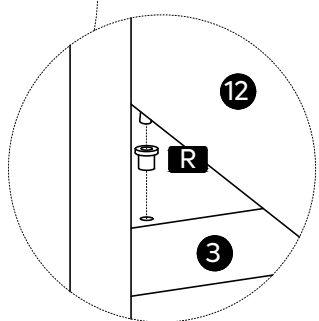
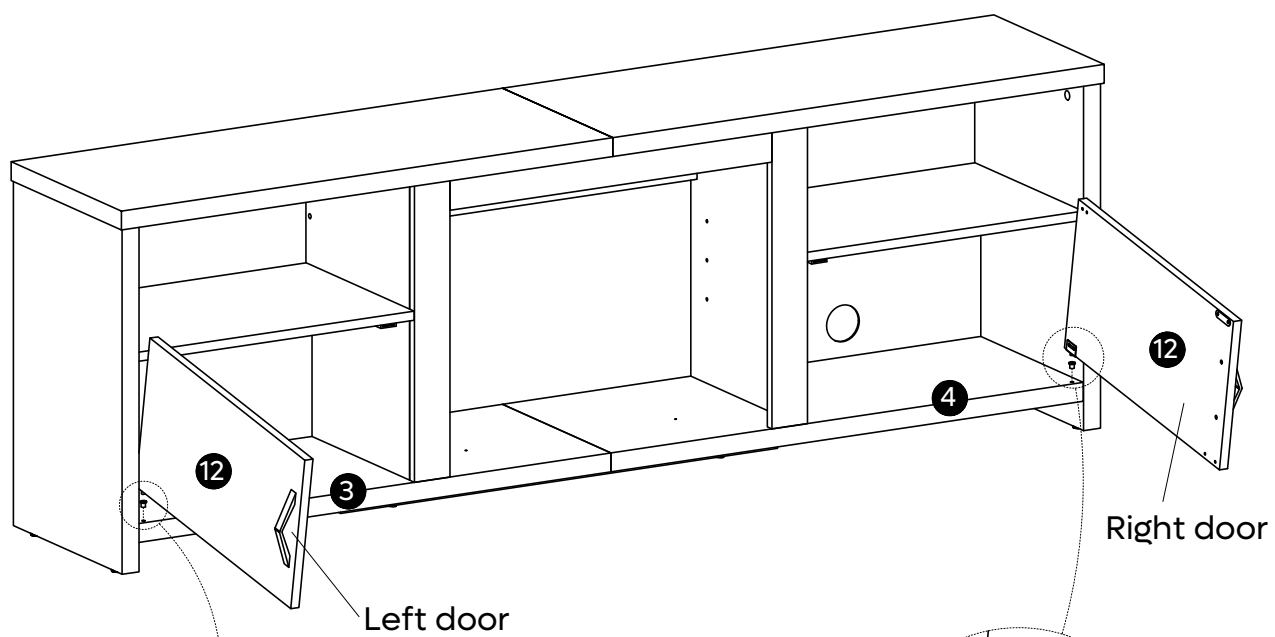
Left door

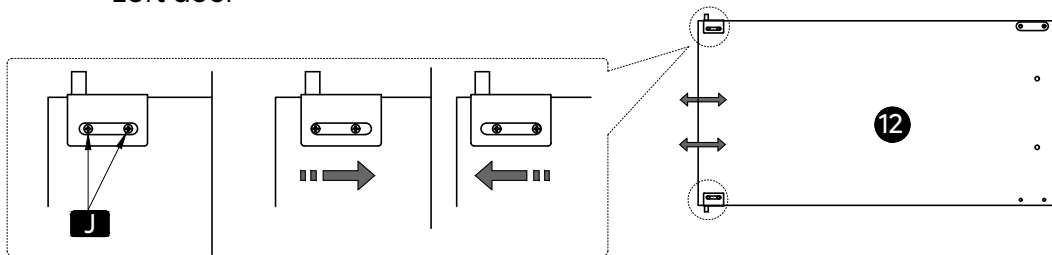
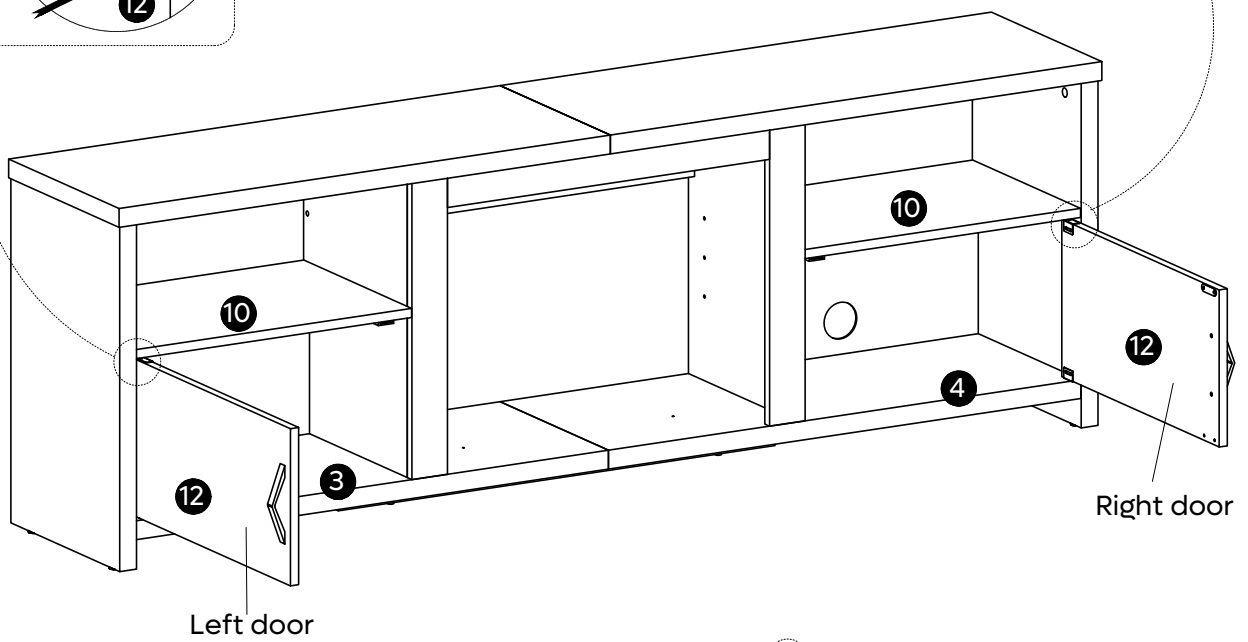
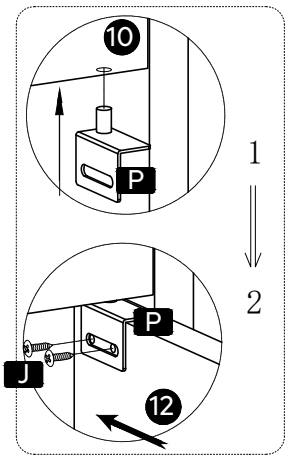
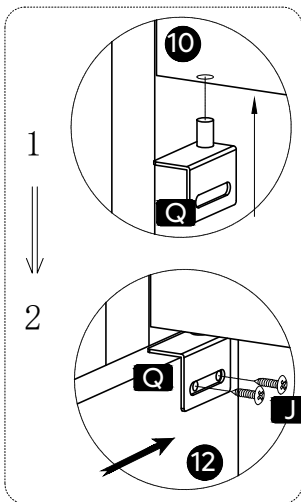


Right door



  x 4	  x 4	  x 4	 x 1	 x 1	
H M4x20mm	I ST3x14mm	J ST3.5x12mm	P	Q	



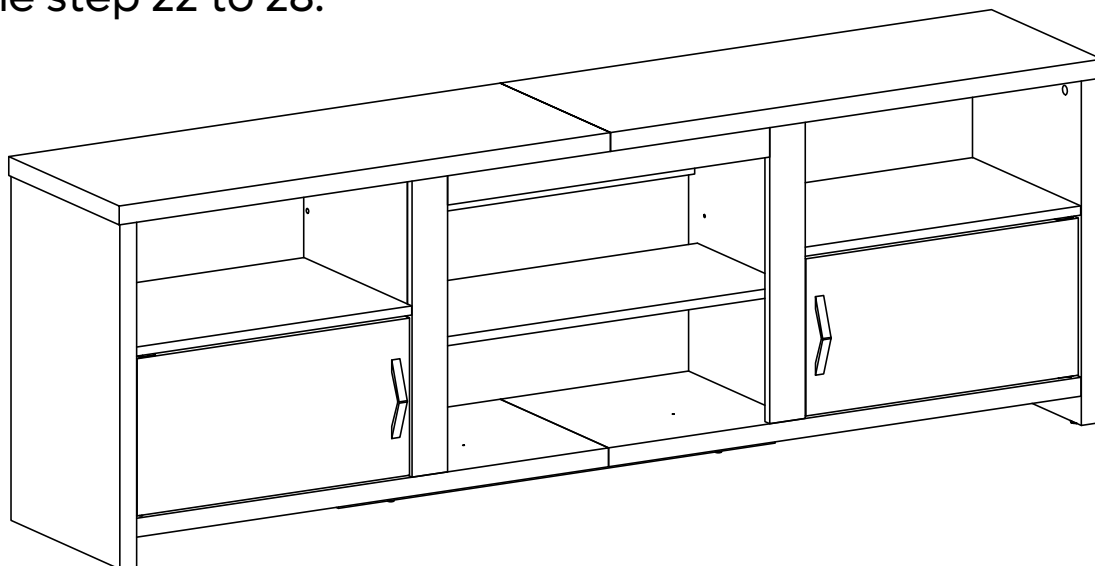


※Please adjust the pivot position slightly to make sure the gap between both doors are aligned

 x1	 x1	 x4 J ST3.5x12mm	
--	--	---	---

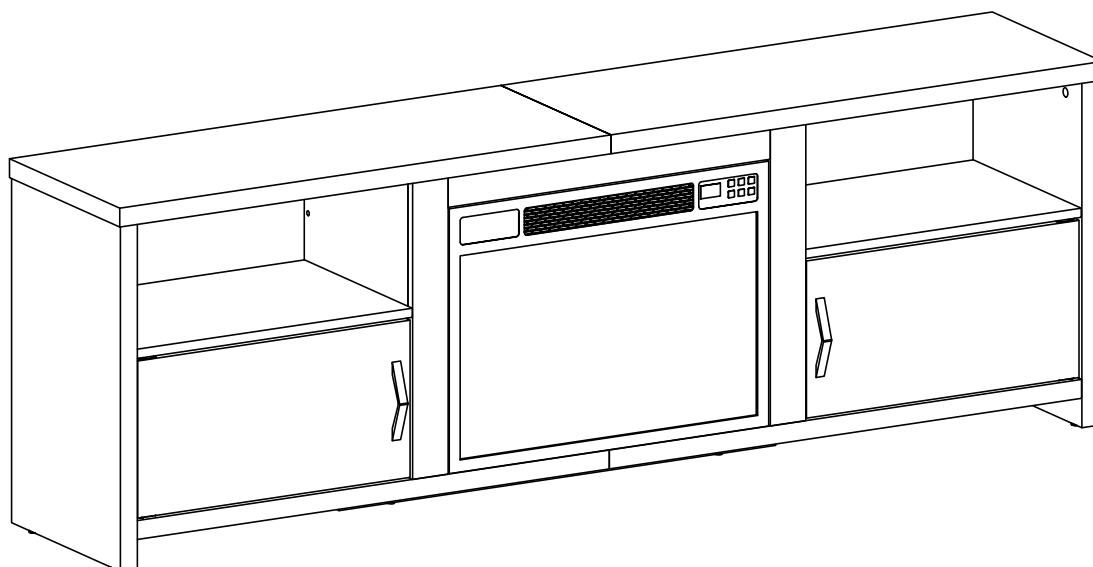
(Fireplace not included)

If the product you purchased does not include the fireplace, please install the product according to the step 22 to 28.



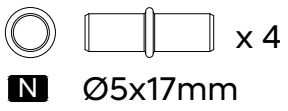
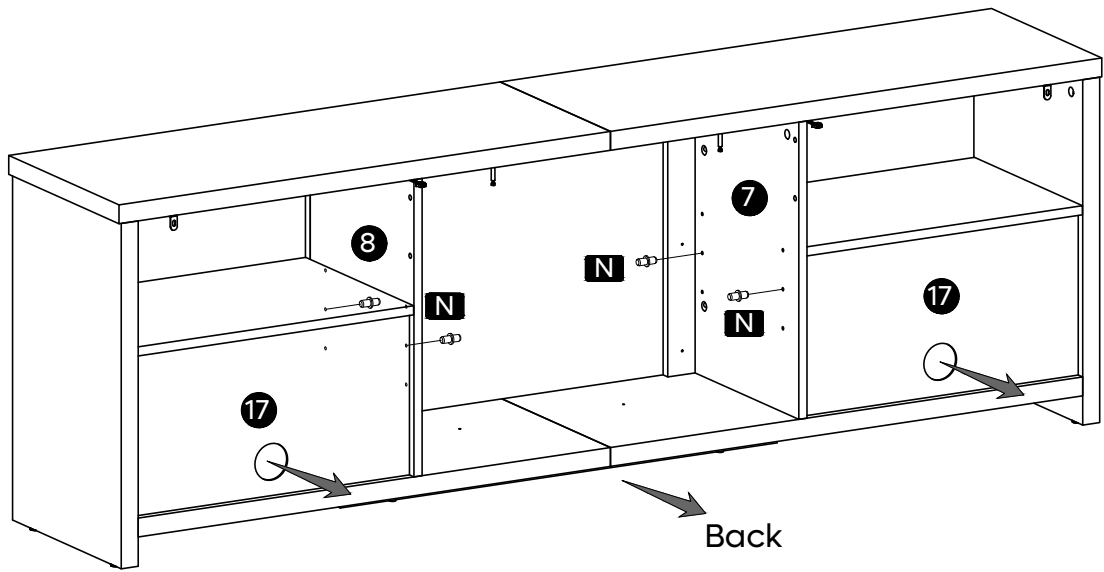
(Fireplace included)

If the product you purchased includes the fireplace, please install the product according to the step 29 to 35.

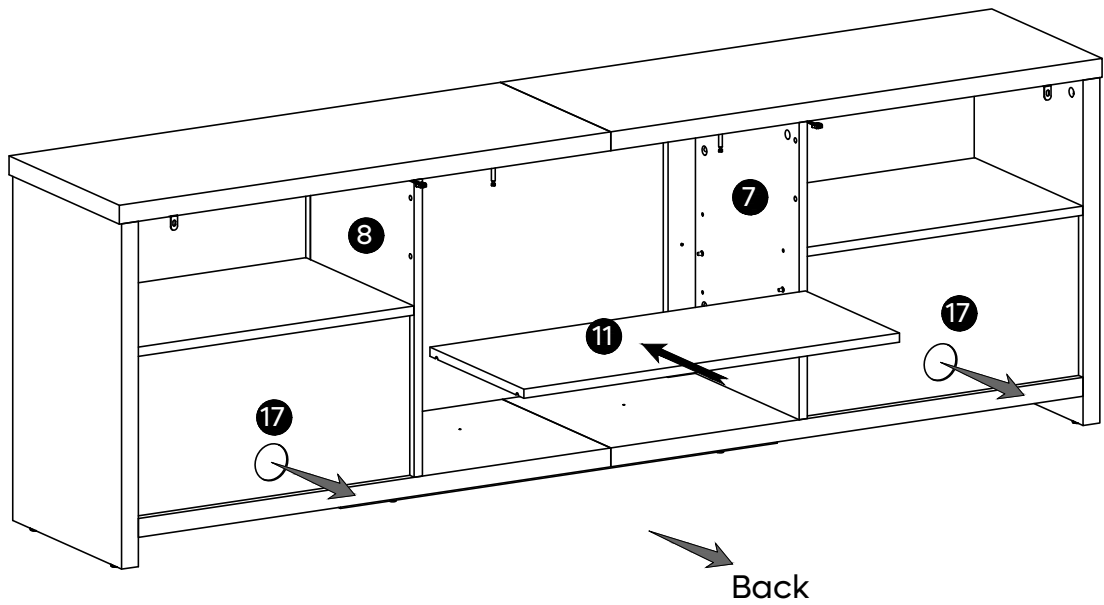


22

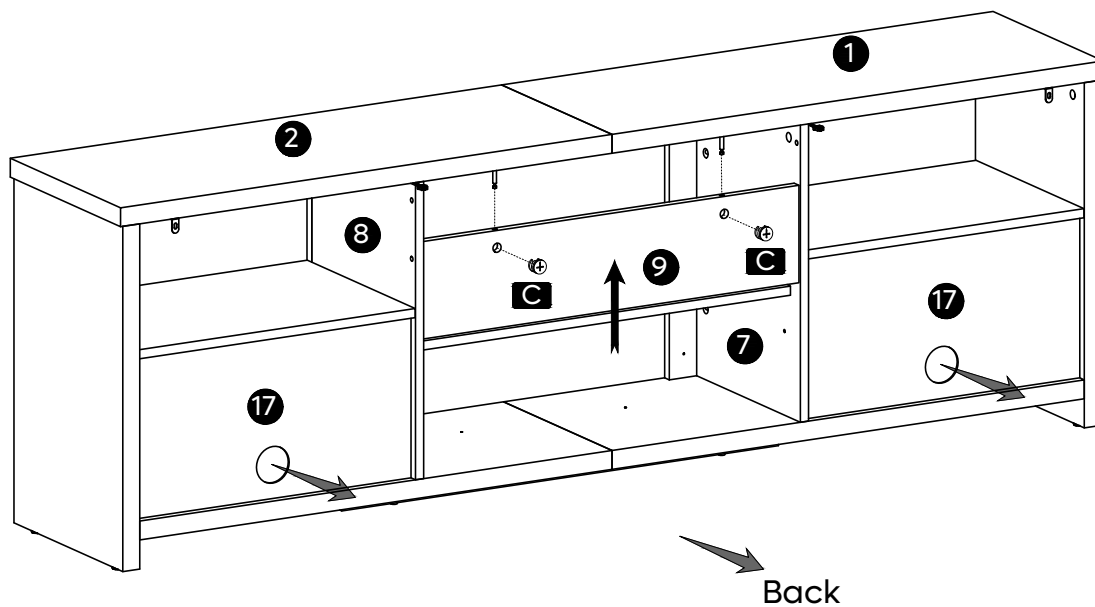
L101217Y



23

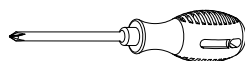


24

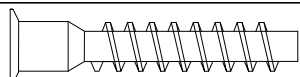
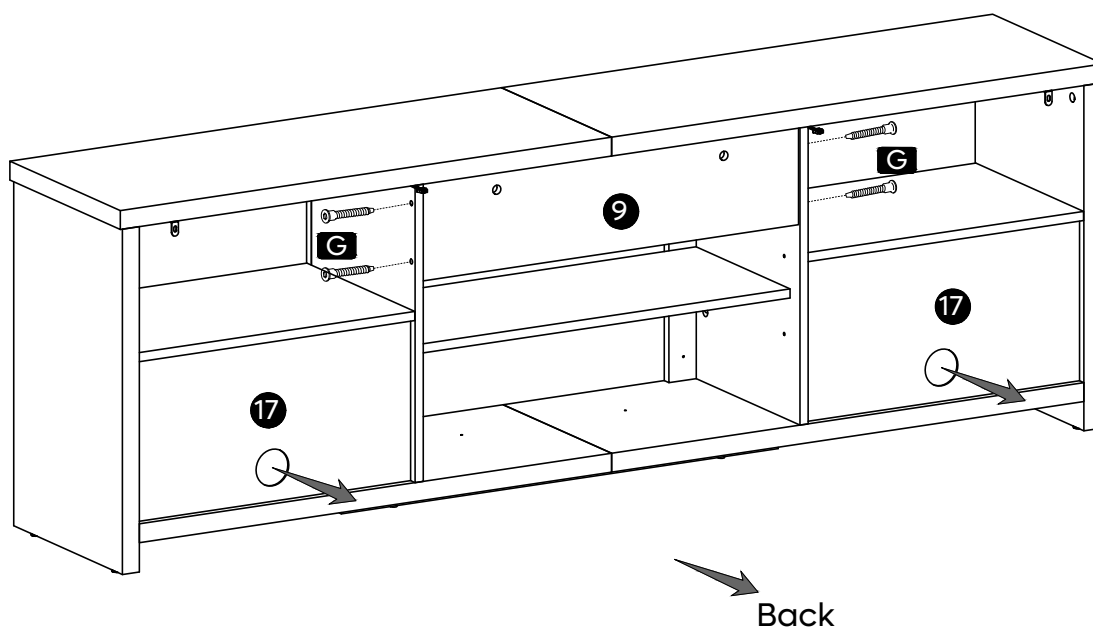


x 2

C Ø15mm



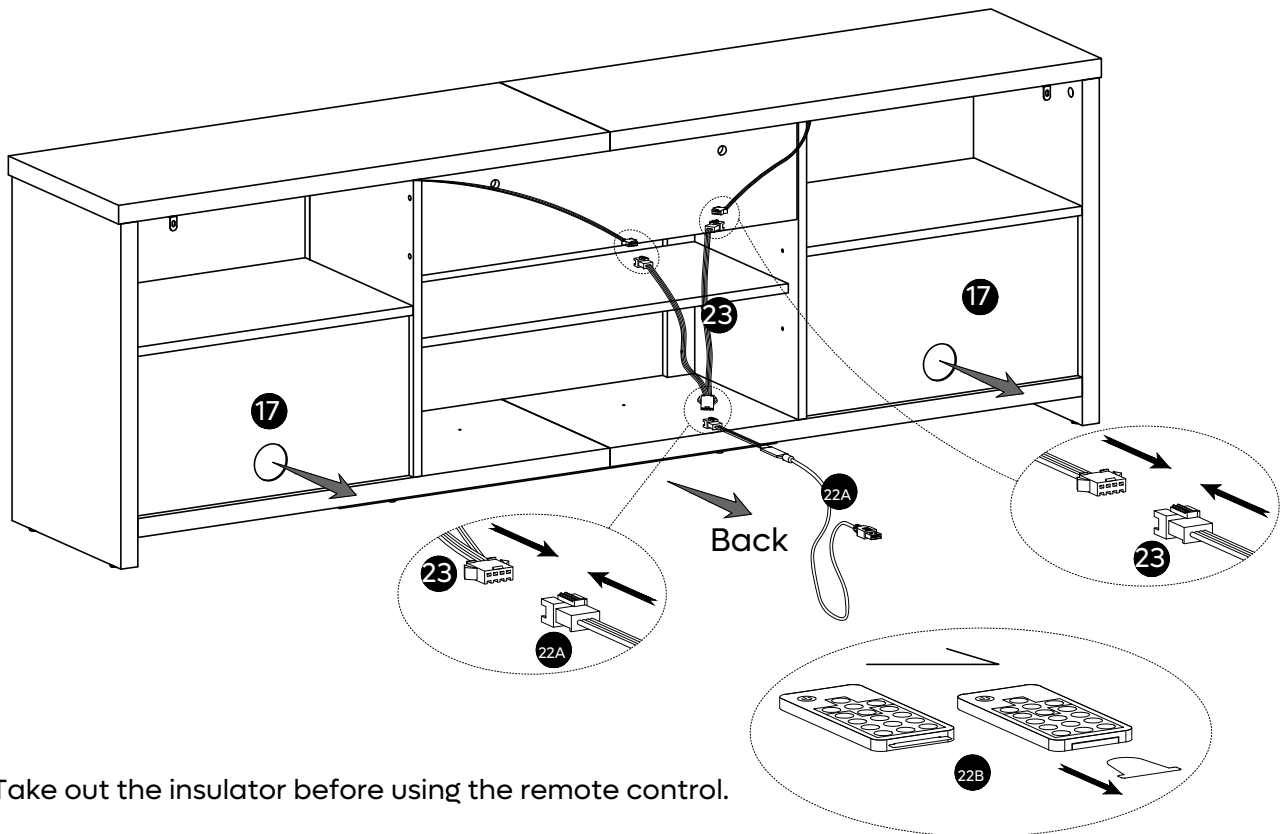
25



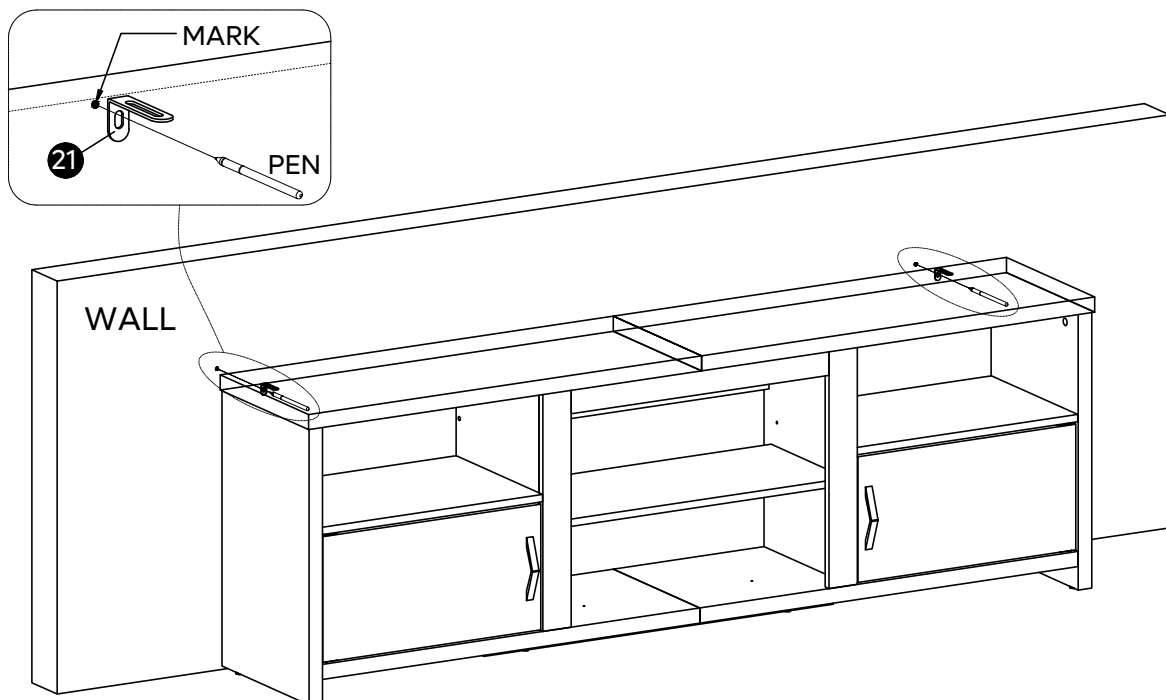
G ST7x38mm x 4

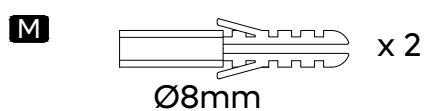
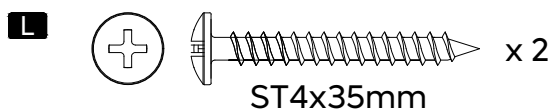
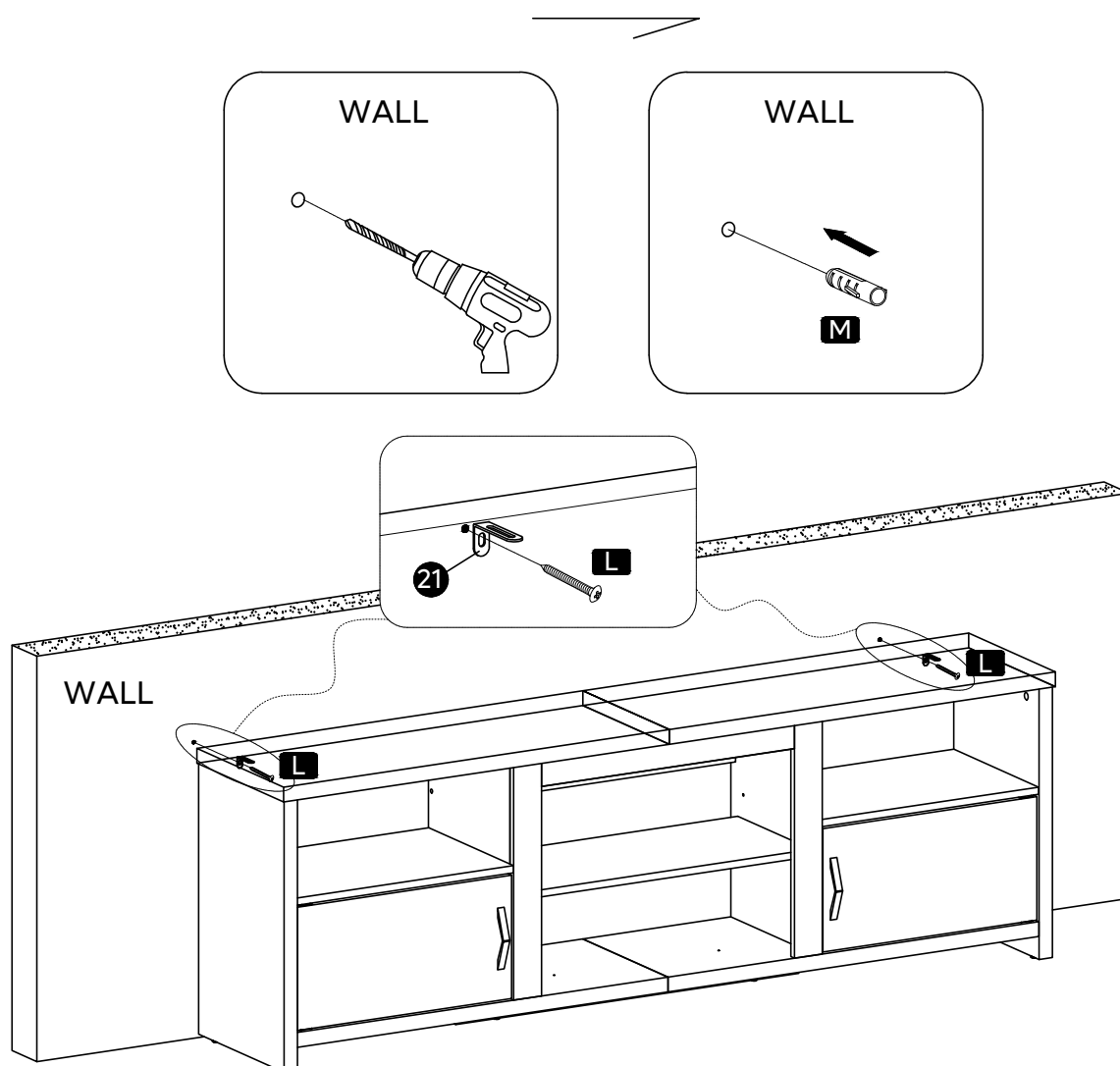


26



27



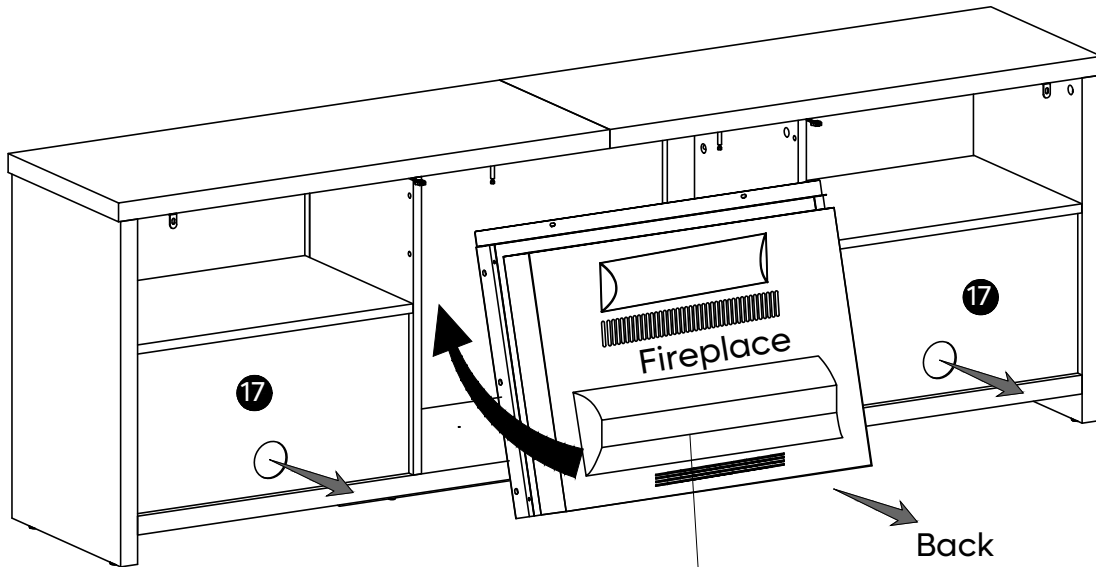


※ **Please fasten this item to wall for protection and safety.**

1. Drill 2 holes in the wall and insert "M" into holes.
 ※ You may need to use rubber mallet for tapping "M".
2. Use "L" to attach "M" with 21.

29

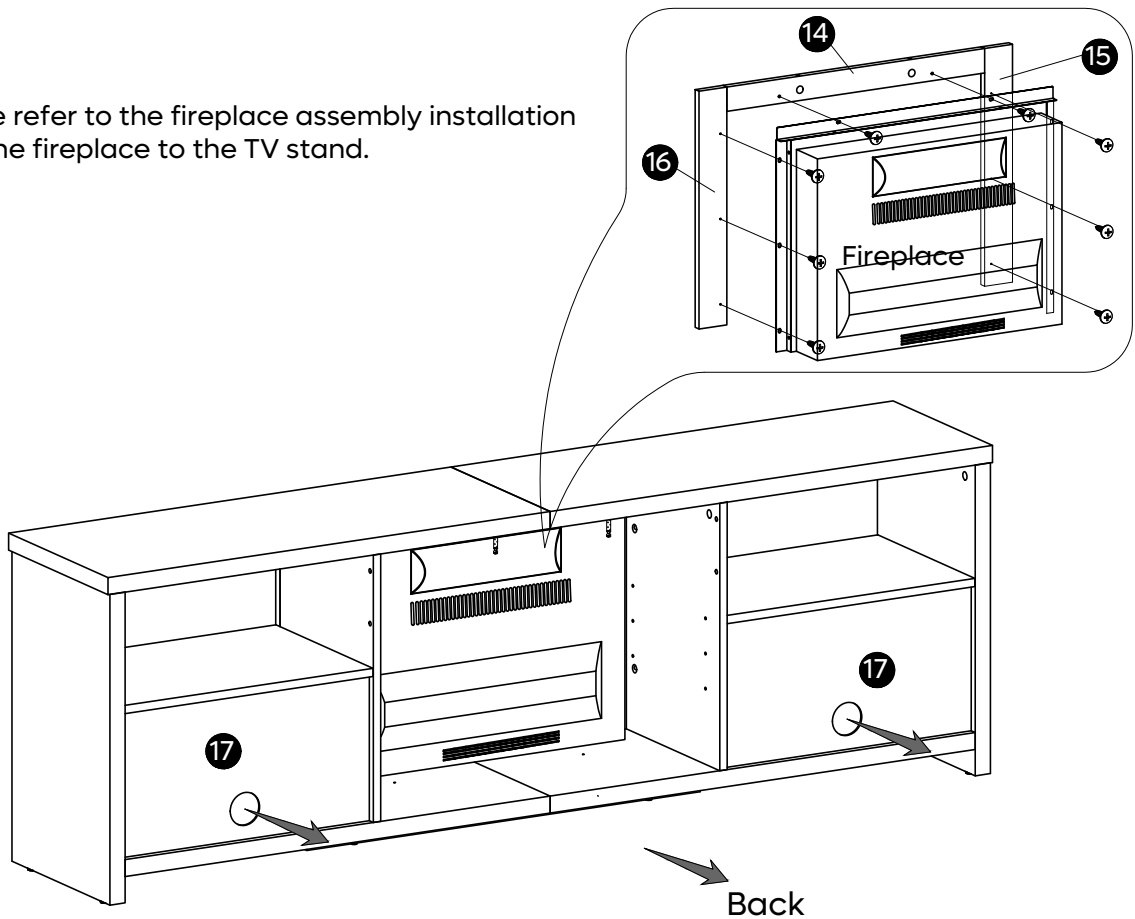
※ If you chose fireplace TV stand , Please continue with the following steps.



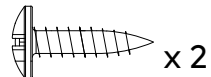
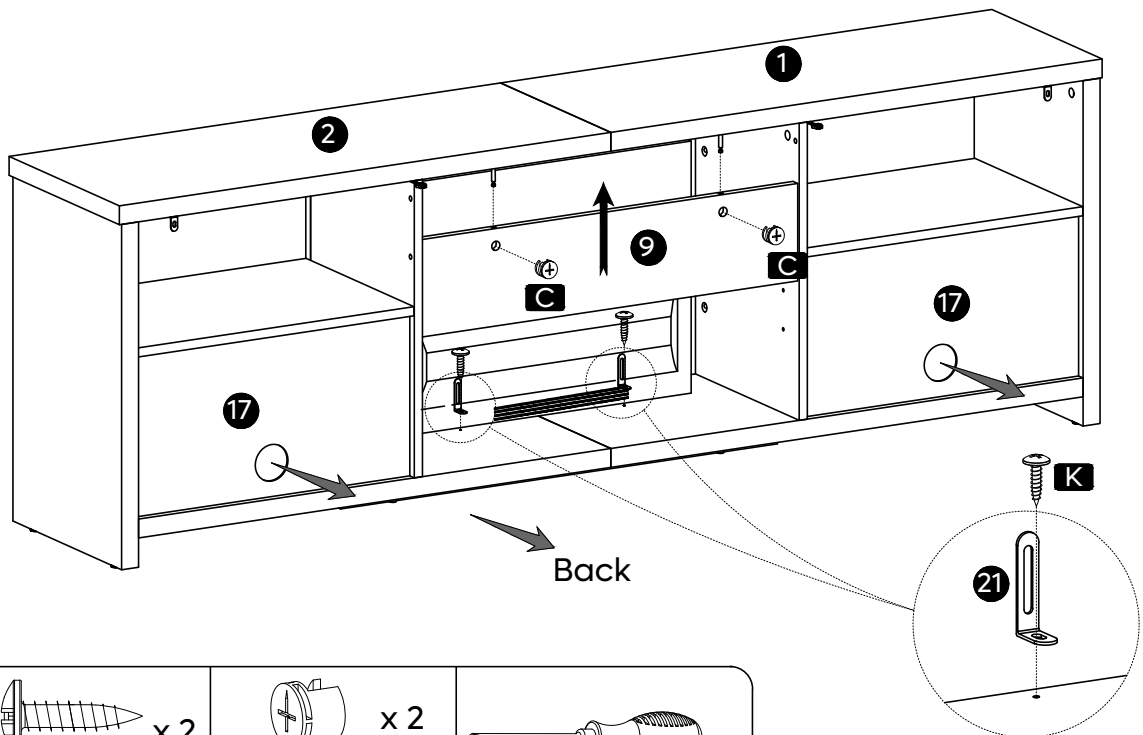
※Put the fireplace into the TV stand

30

※please refer to the fireplace assembly installation to fix the fireplace to the TV stand.



31



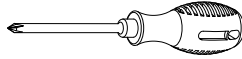
x 2

K ST4x16mm

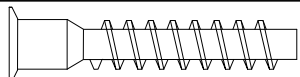
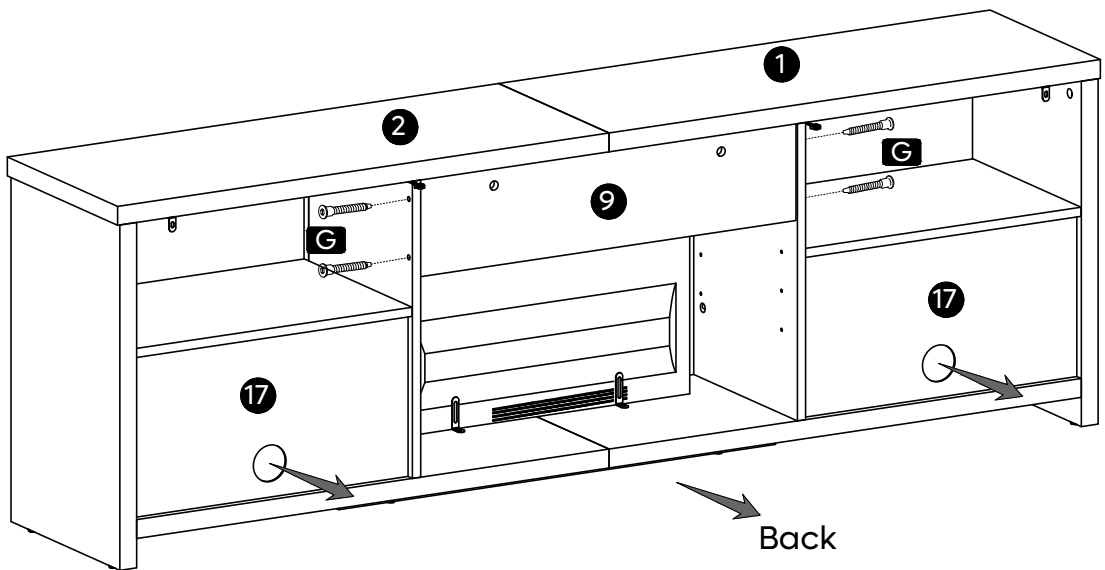


x 2

C Ø15mm



32

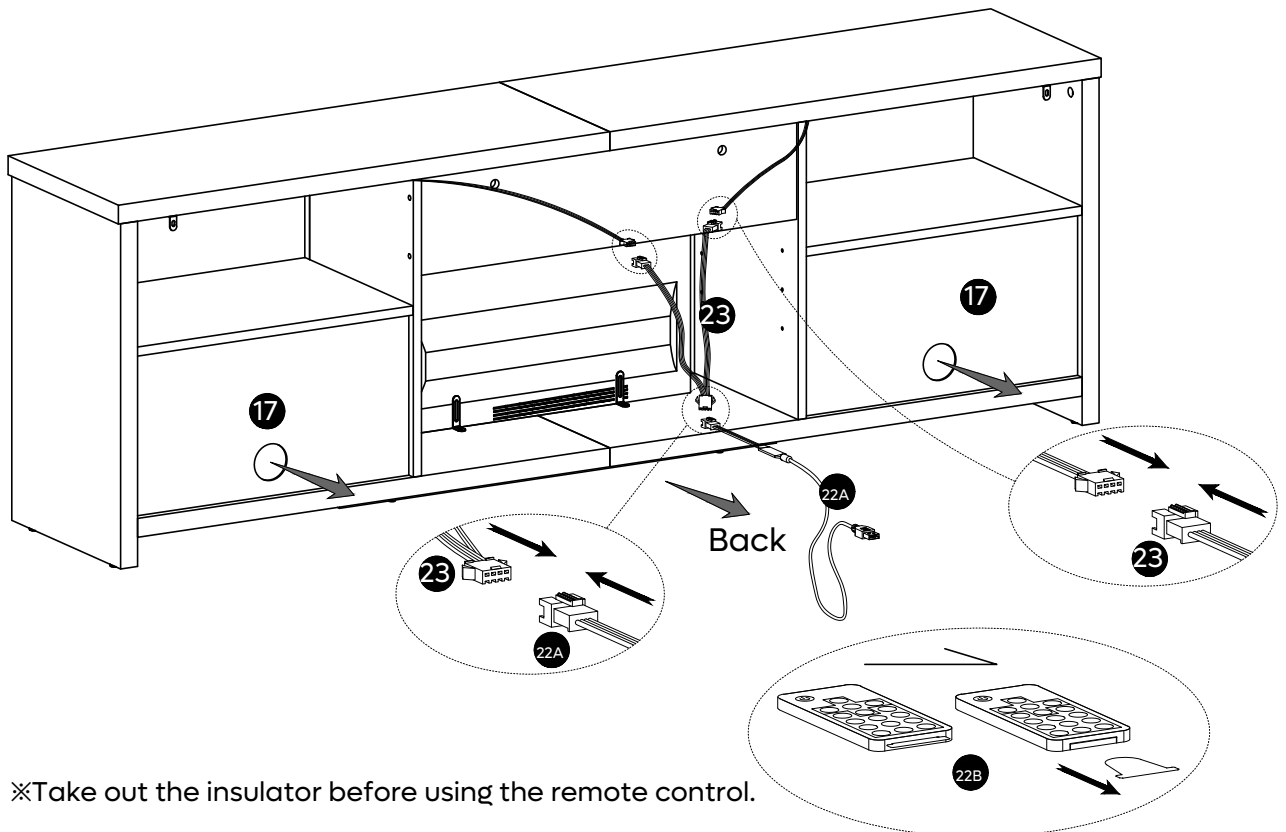


x 4

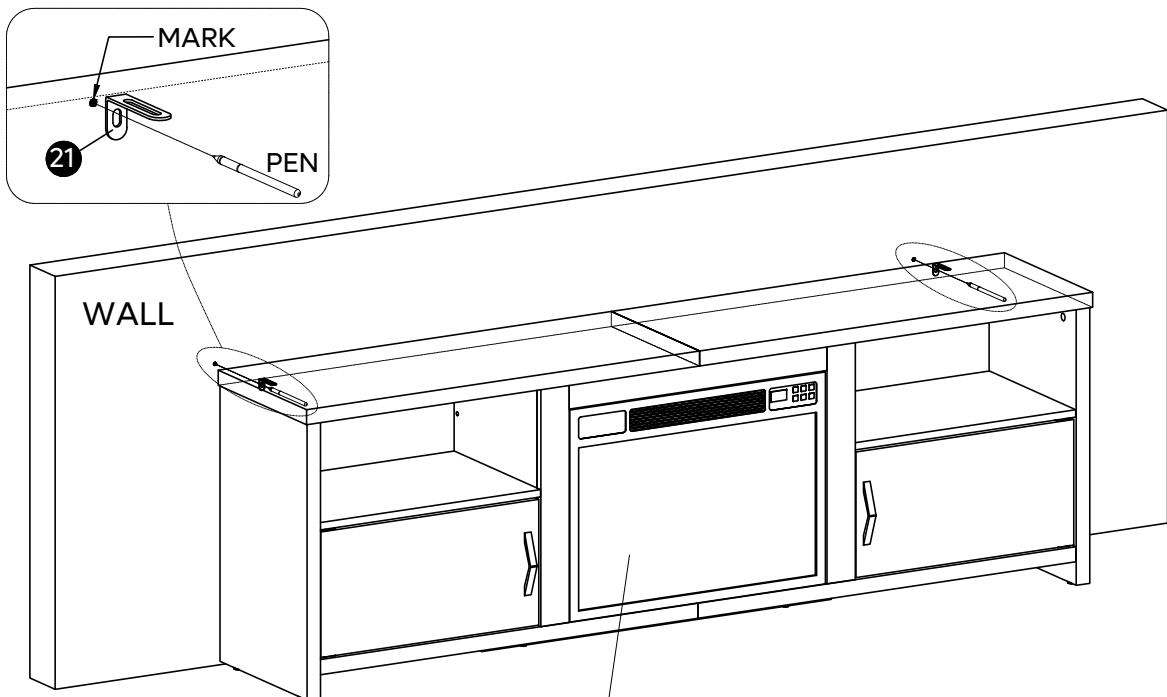
G ST7x38mm



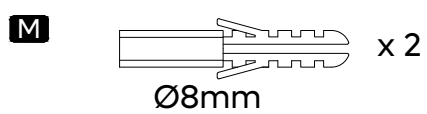
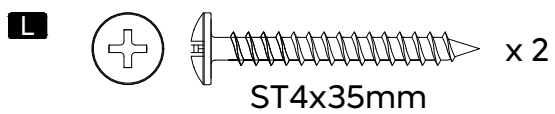
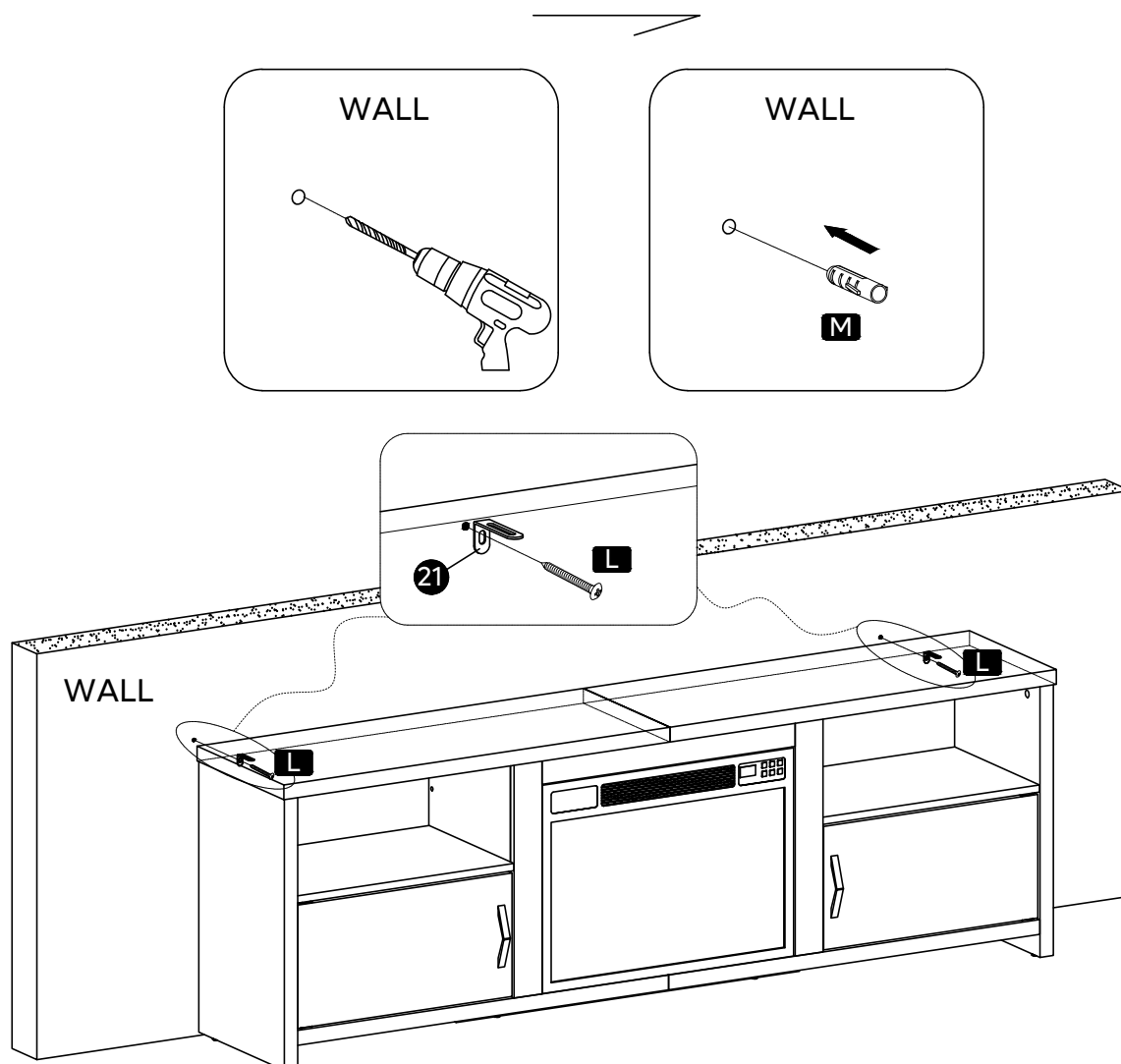
33



34



※please refer to the fireplace assembly installation to operate the fireplace .



※ **Please fasten this item to wall for protection and safety.**

1. Drill 2 holes in the wall and insert "M" into holes.
- ※ You may need to use rubber mallet for tapping "M".
2. Use "L" to attach "M" with 21.