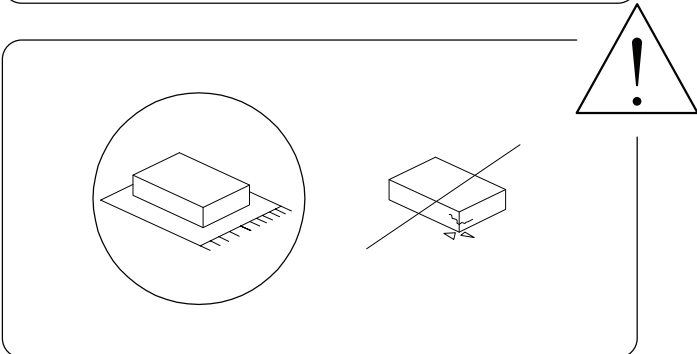
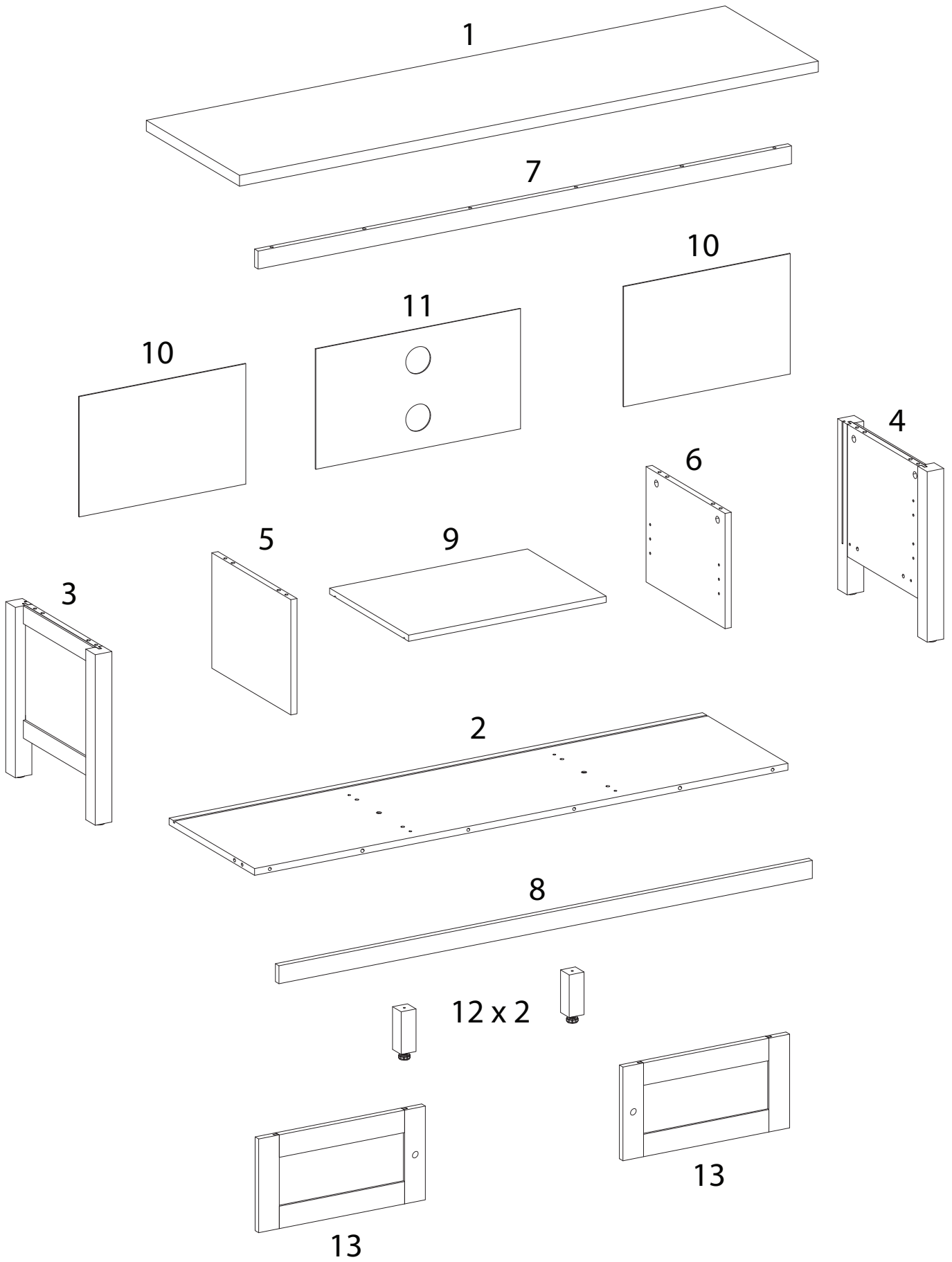


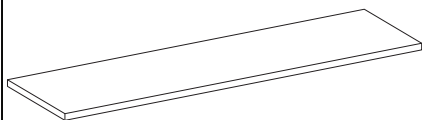
60'



2

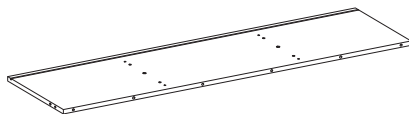


1



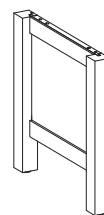
x 1

2



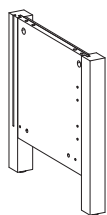
x 1

3



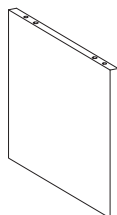
x 1

4



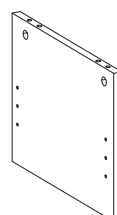
x 1

5



x 1

6



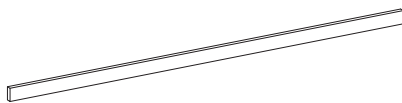
x 1

7



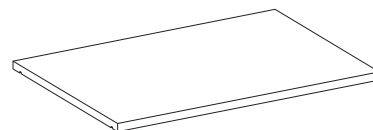
x 1

8



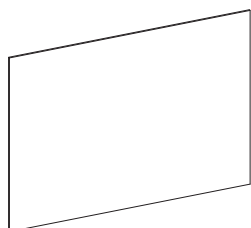
x 1

9



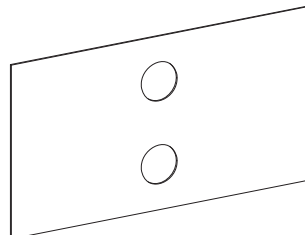
x 1

10



x 2

11



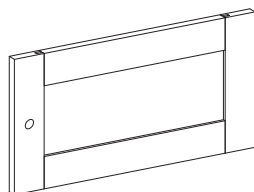
x 1

12



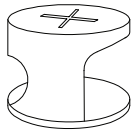
x 2

13



x 2

A



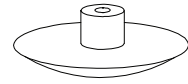
x 20

B



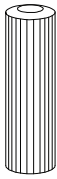
x 20

C



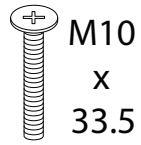
x 12

D



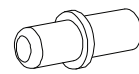
x 20

E



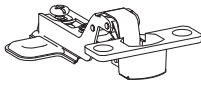
x 6

F



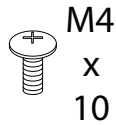
x 4

G



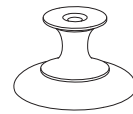
x 4

H



x 8

I



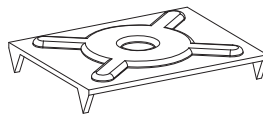
x 2

J



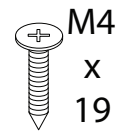
x 2

K



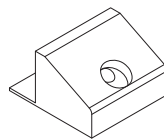
x 2

L



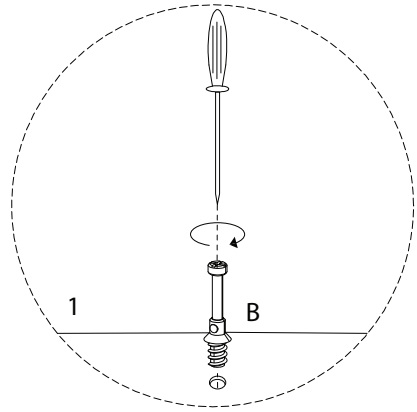
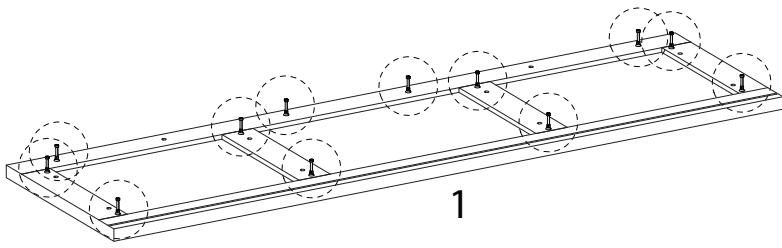
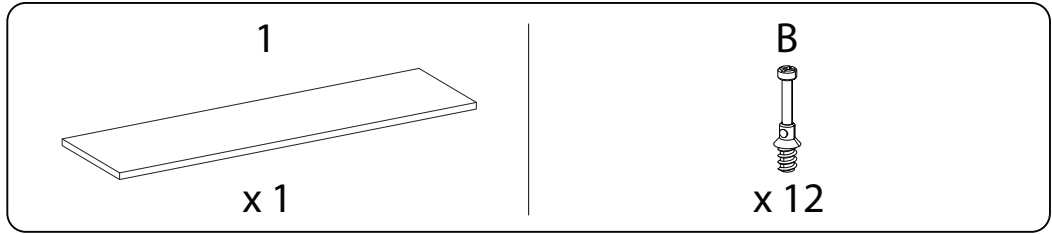
x 18

M

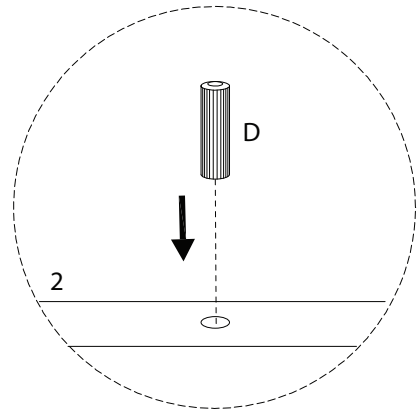
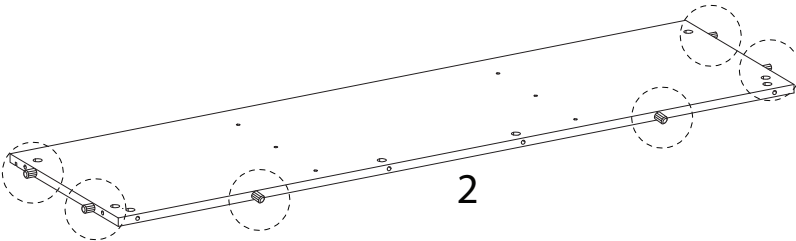
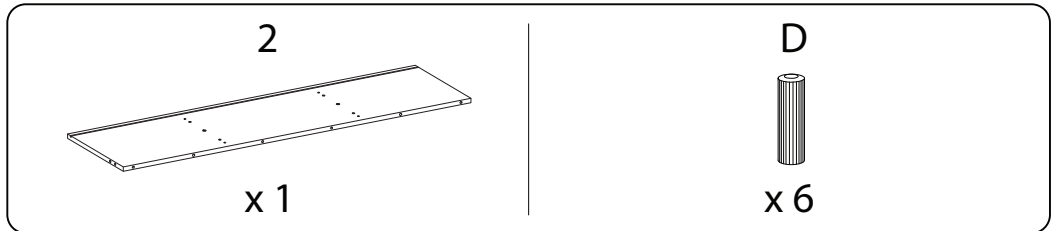


x 16

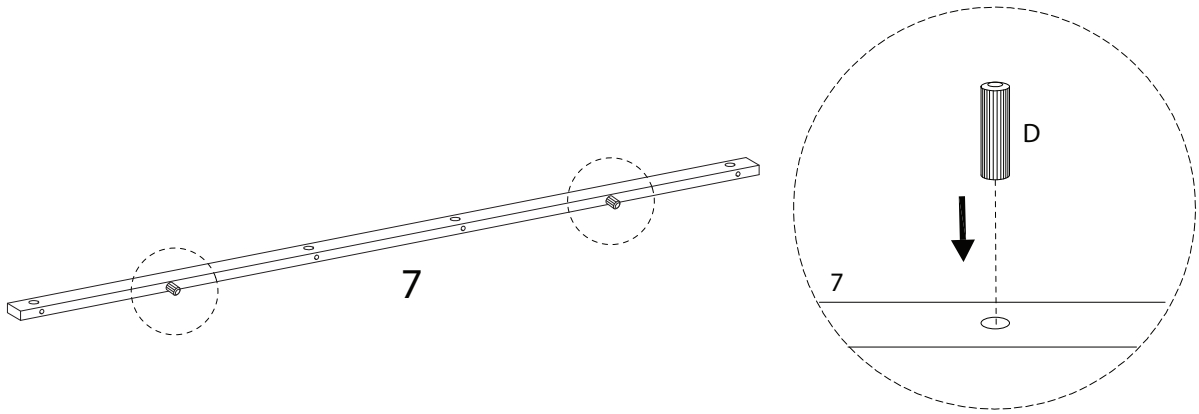
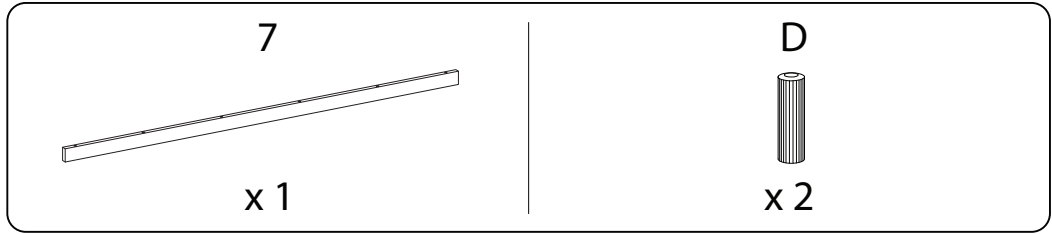
1



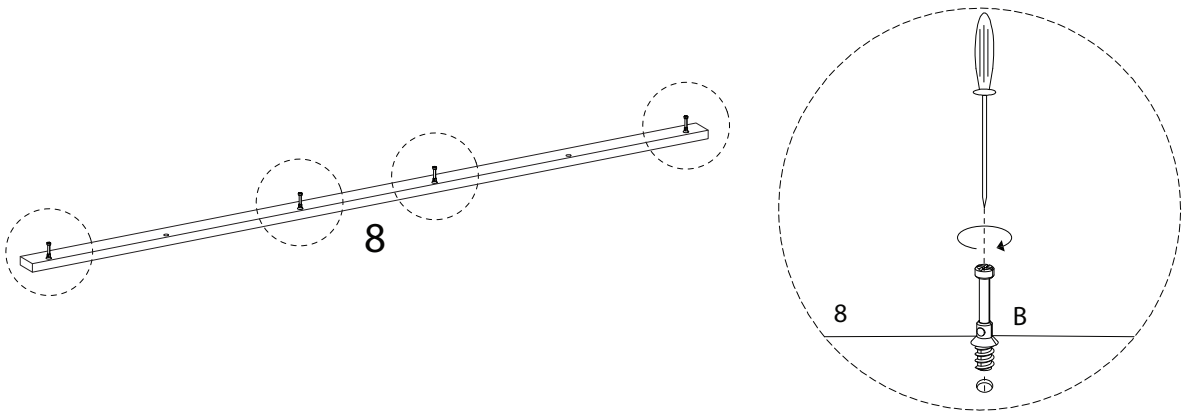
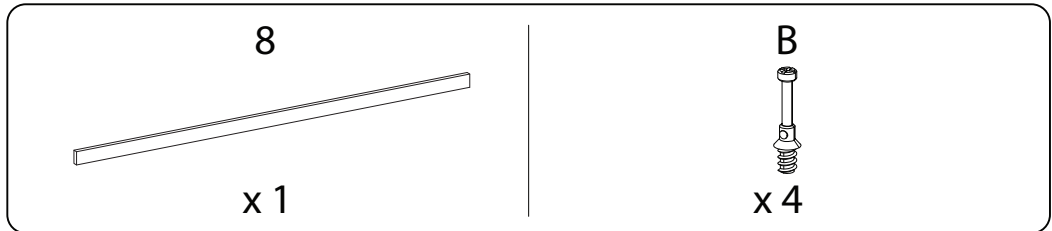
2



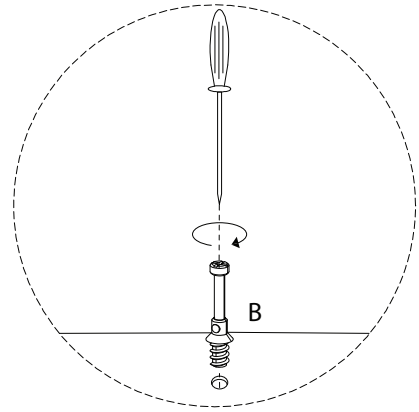
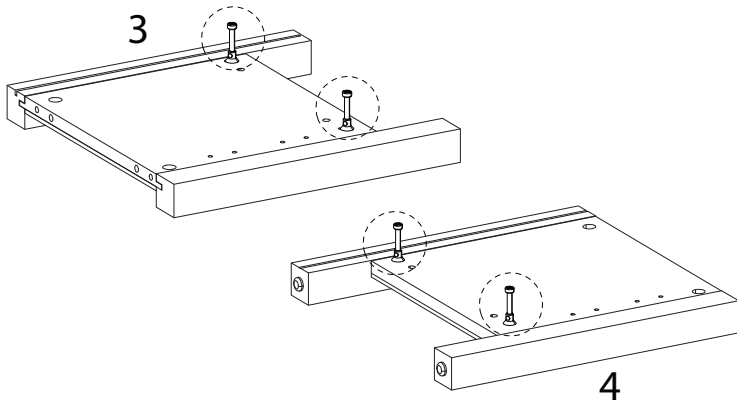
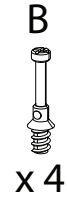
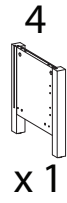
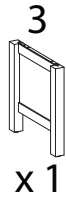
3



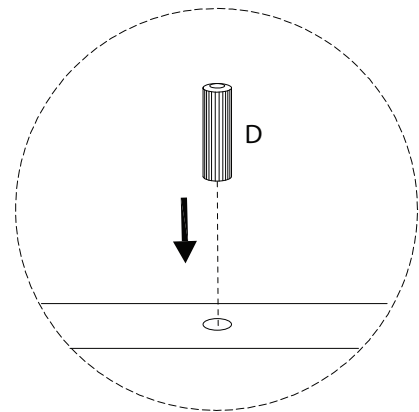
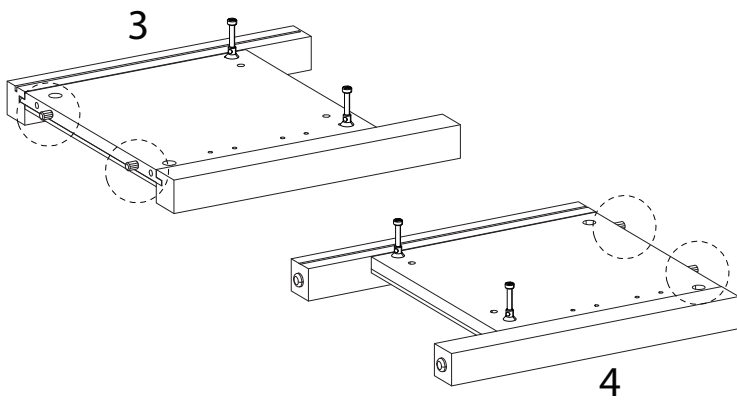
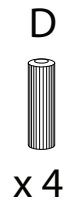
4



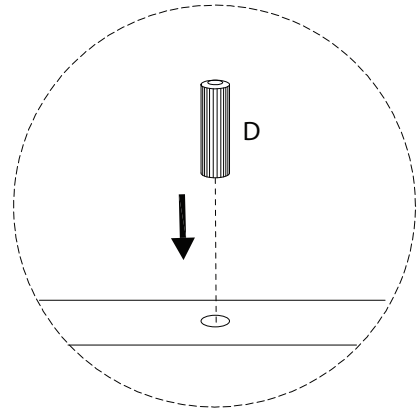
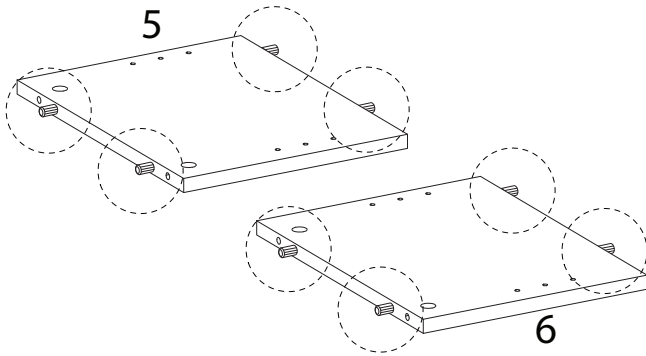
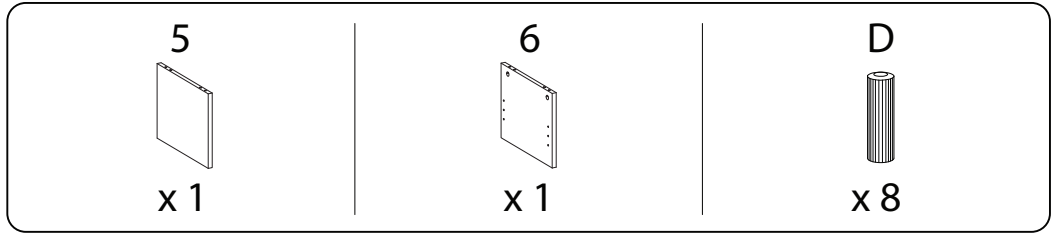
5



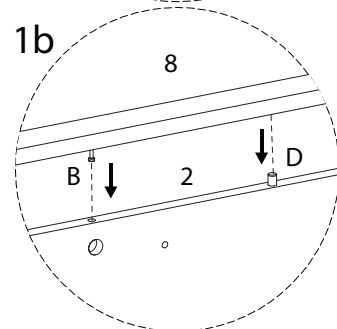
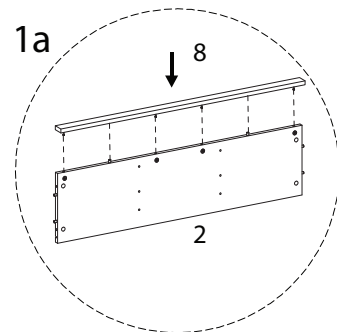
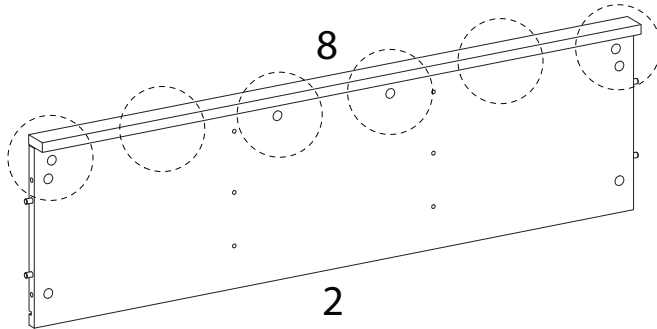
6



7



8

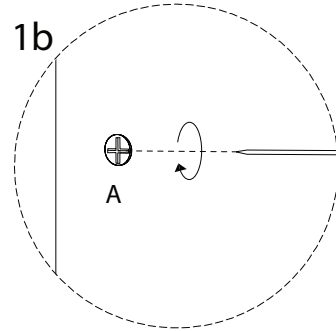
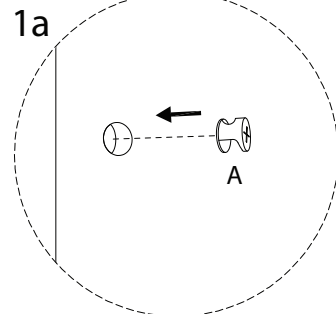
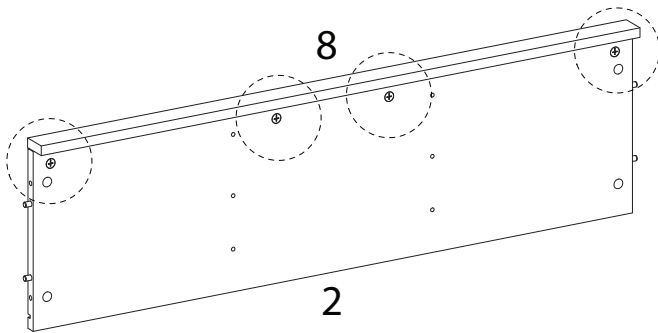


9

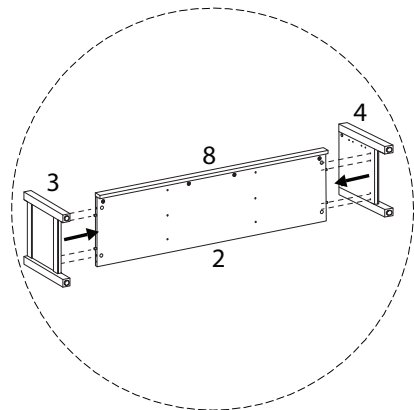
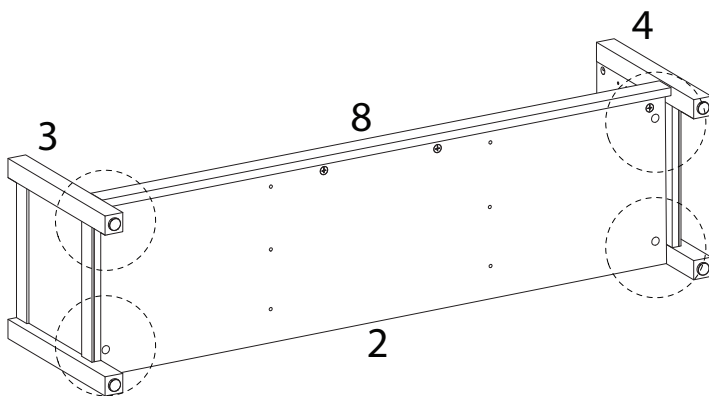
A



x 4



10

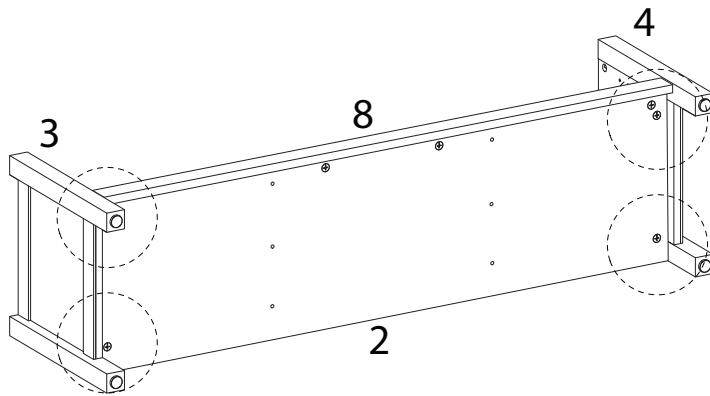


11

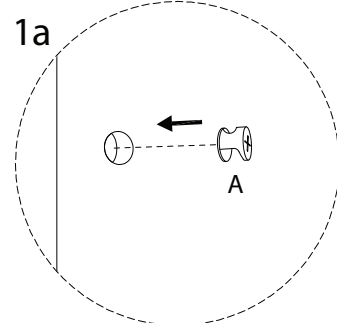
A



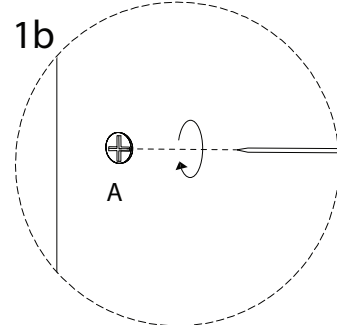
x 4



1a



1b



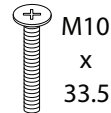
12

12

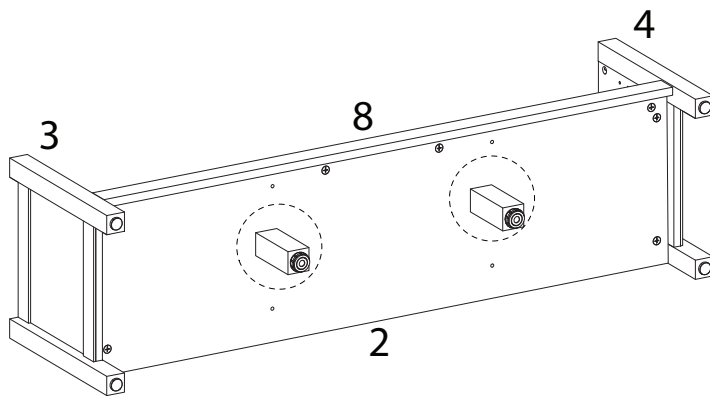


x 2

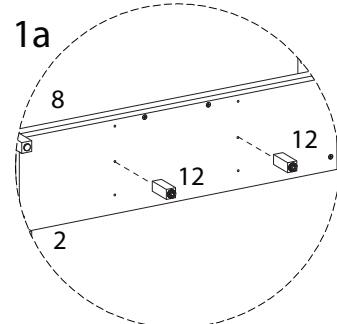
E



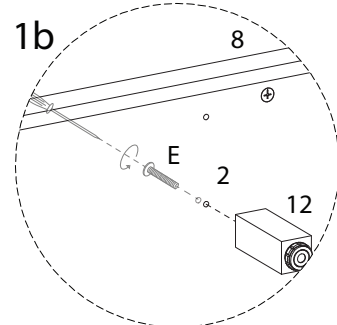
x 2



1a

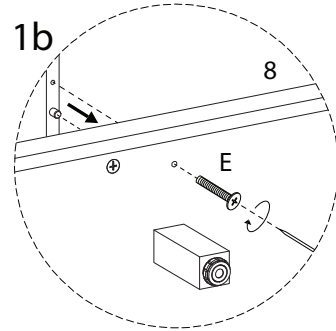
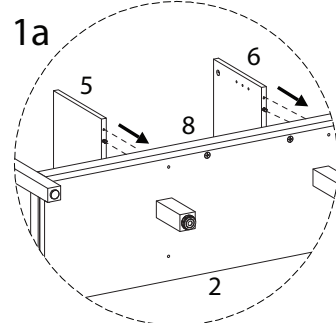
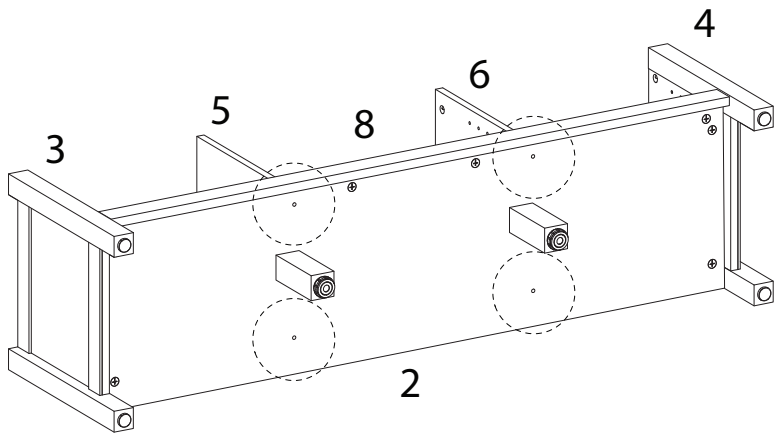


1b



13

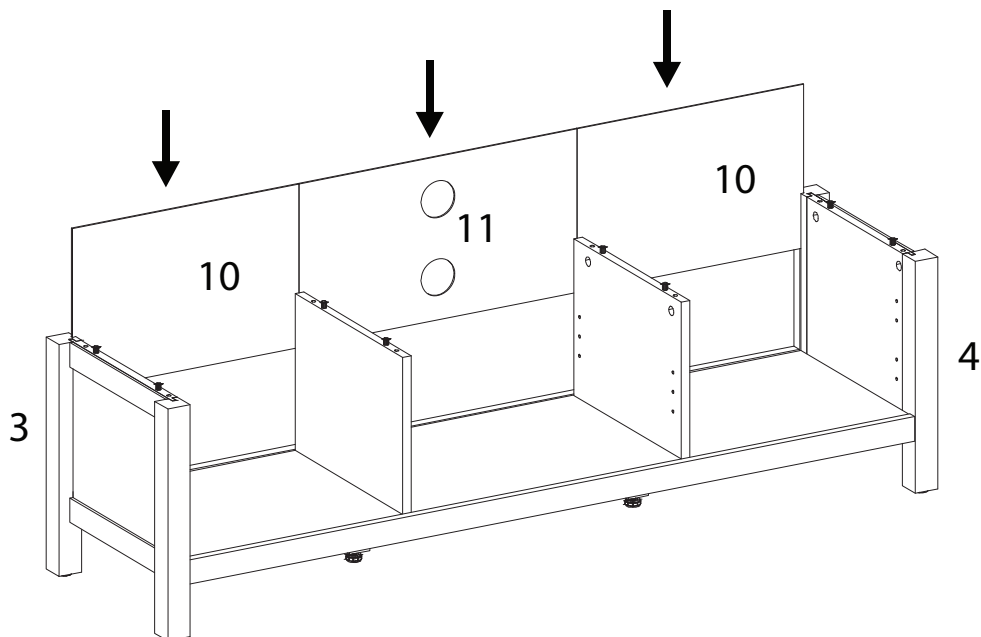
E
M10
x
33.5
x 4



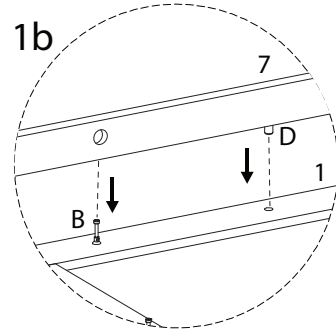
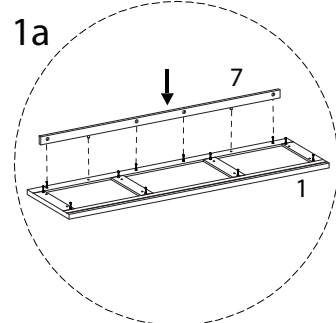
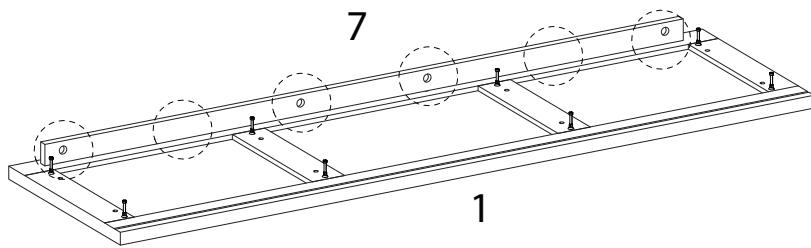
14

10
x 2

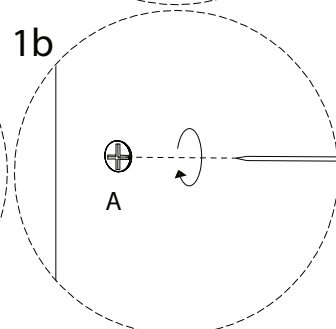
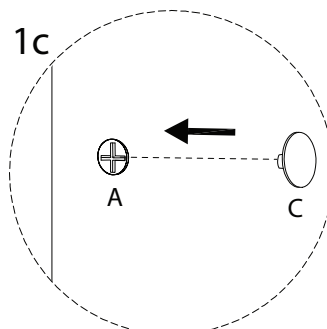
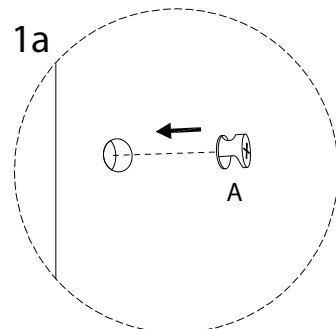
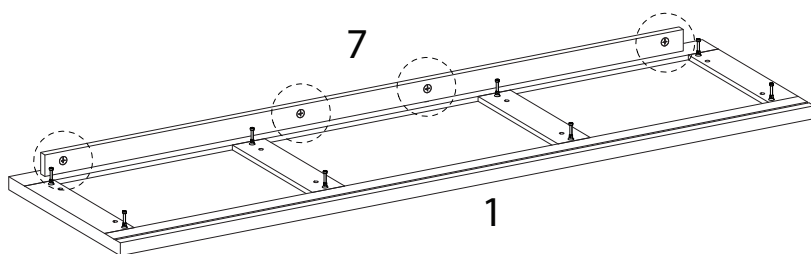
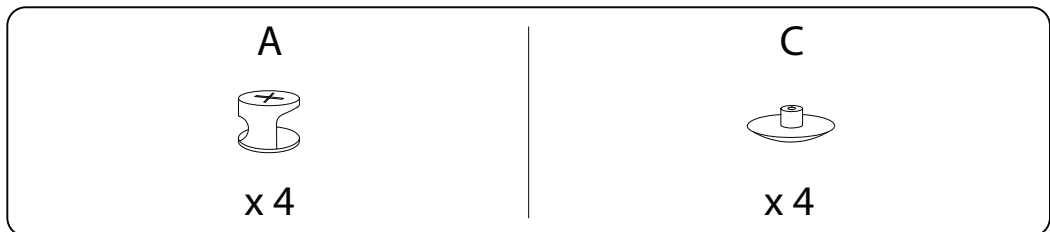
11
x 1



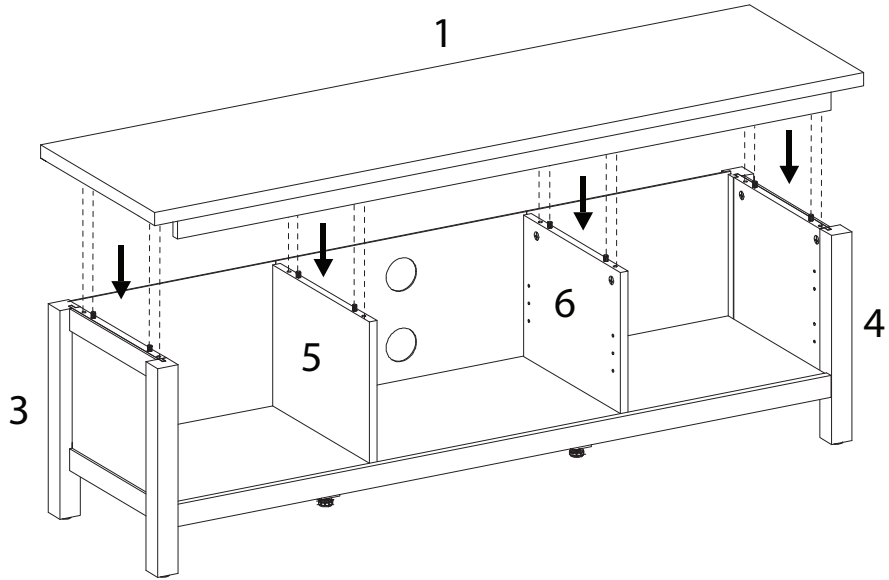
15



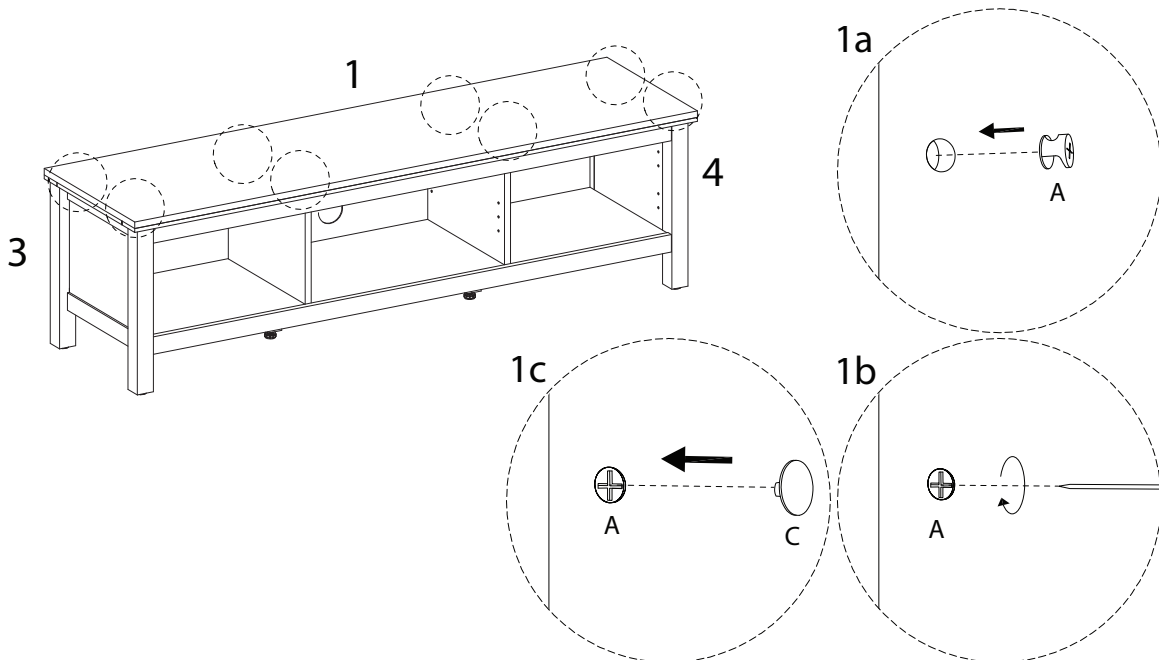
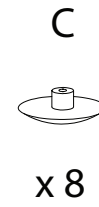
16



17



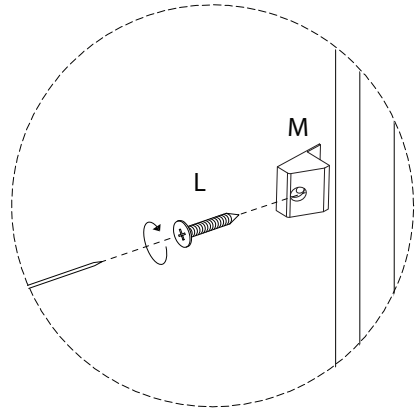
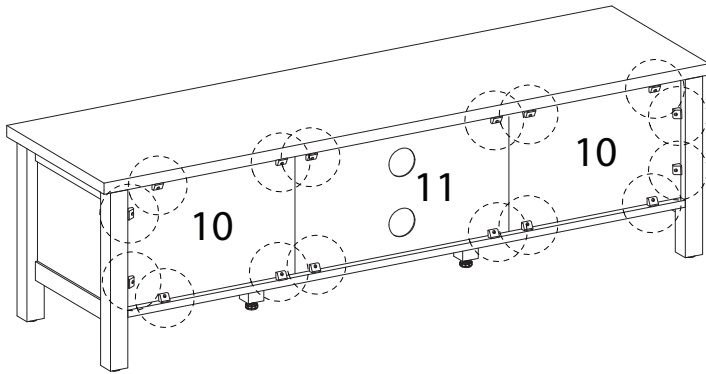
18



19

L
M4
x
19
x 16

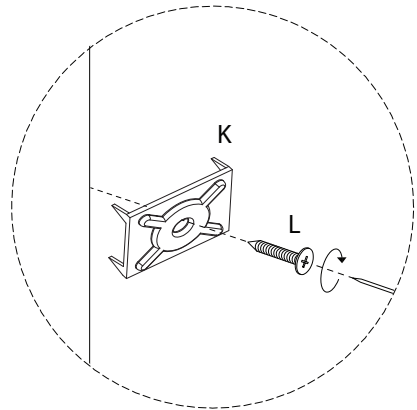
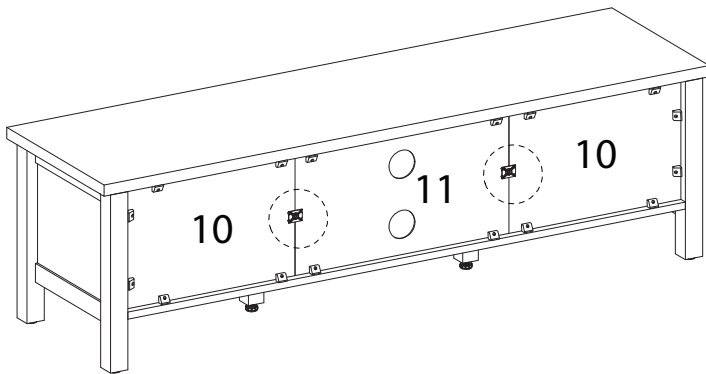
M
x 16



20

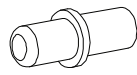
K
x 2

L
M4
x
19
x 2

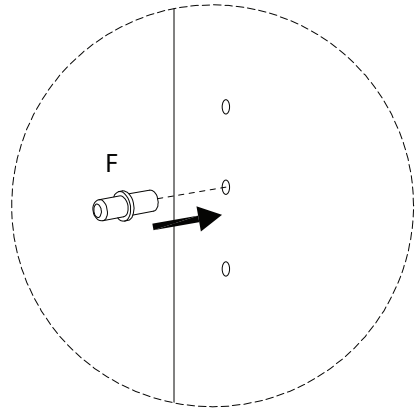
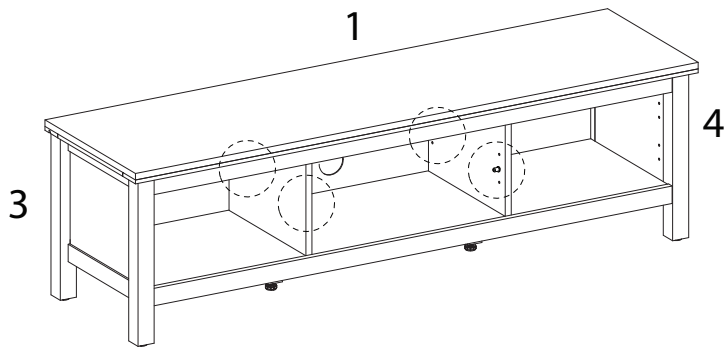


21

F

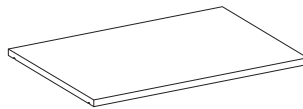


x 4

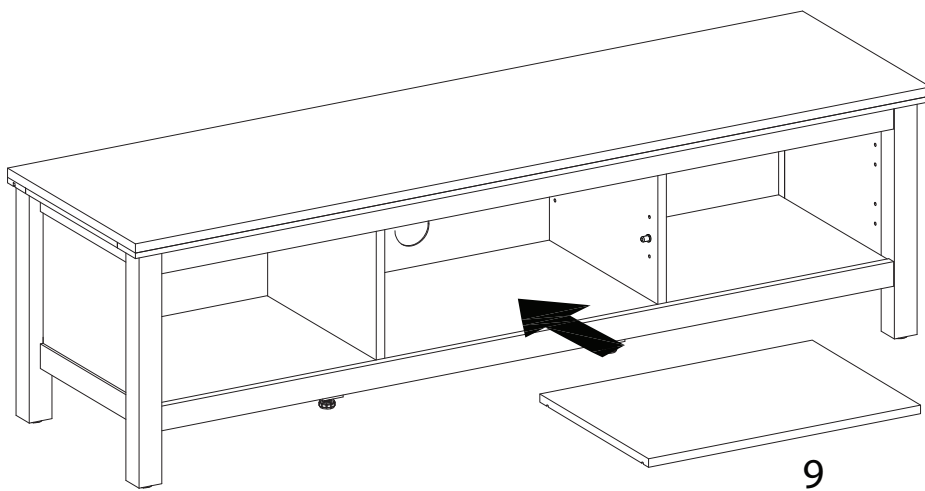


22

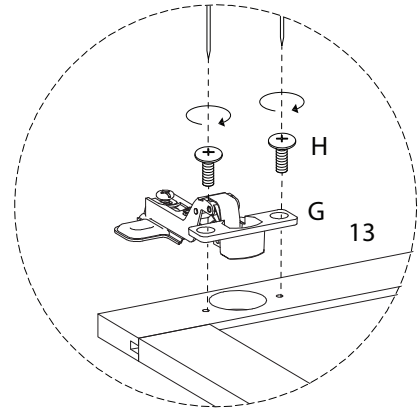
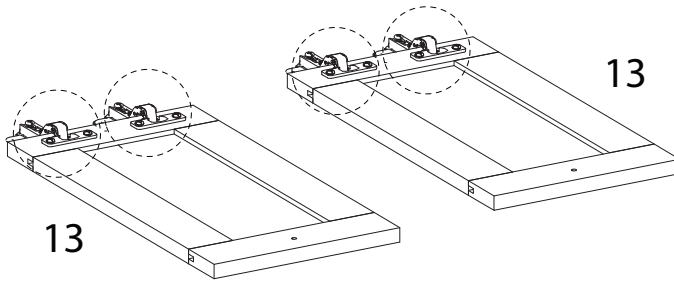
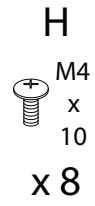
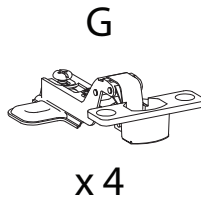
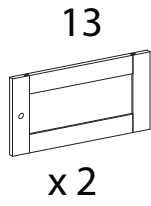
9



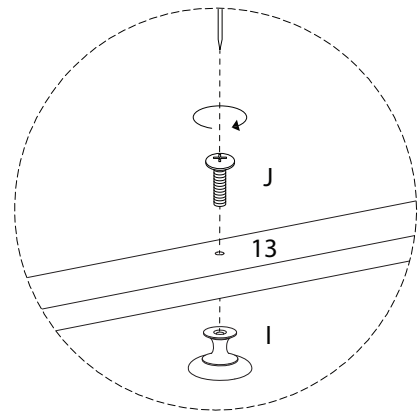
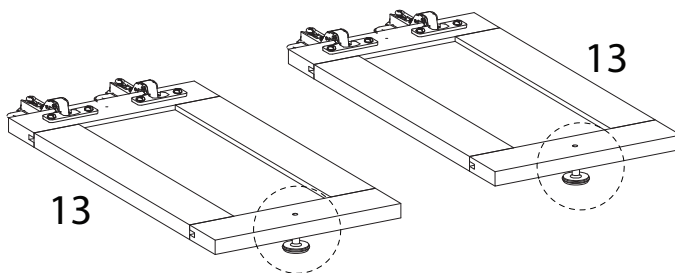
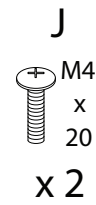
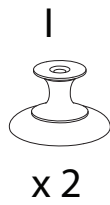
x 1



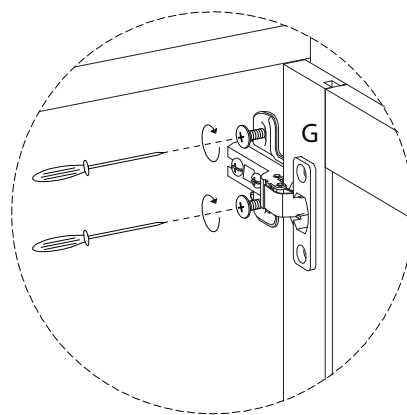
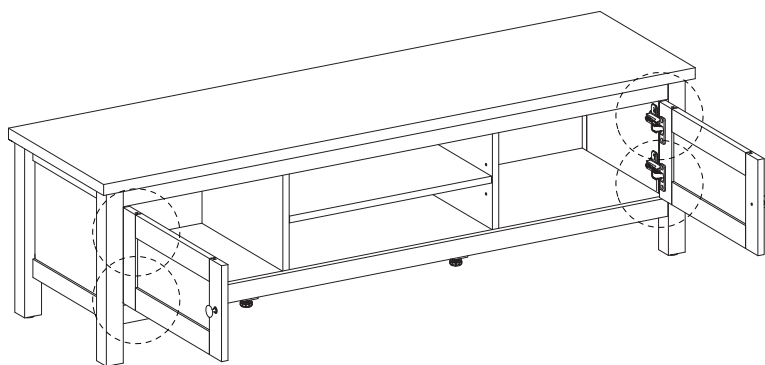
23



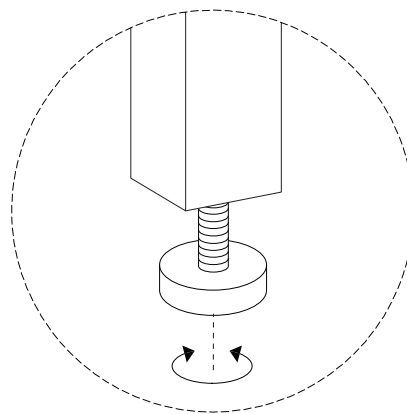
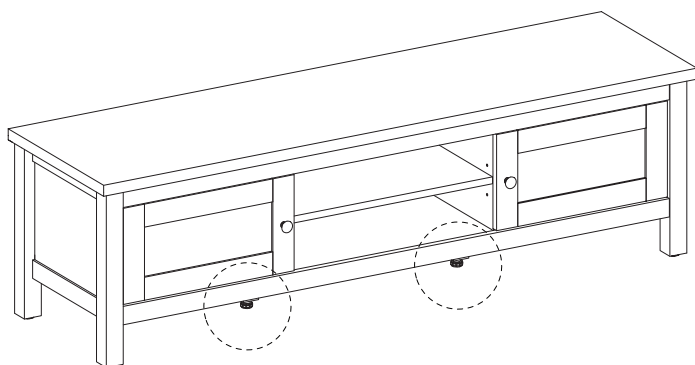
24



25



!



!

