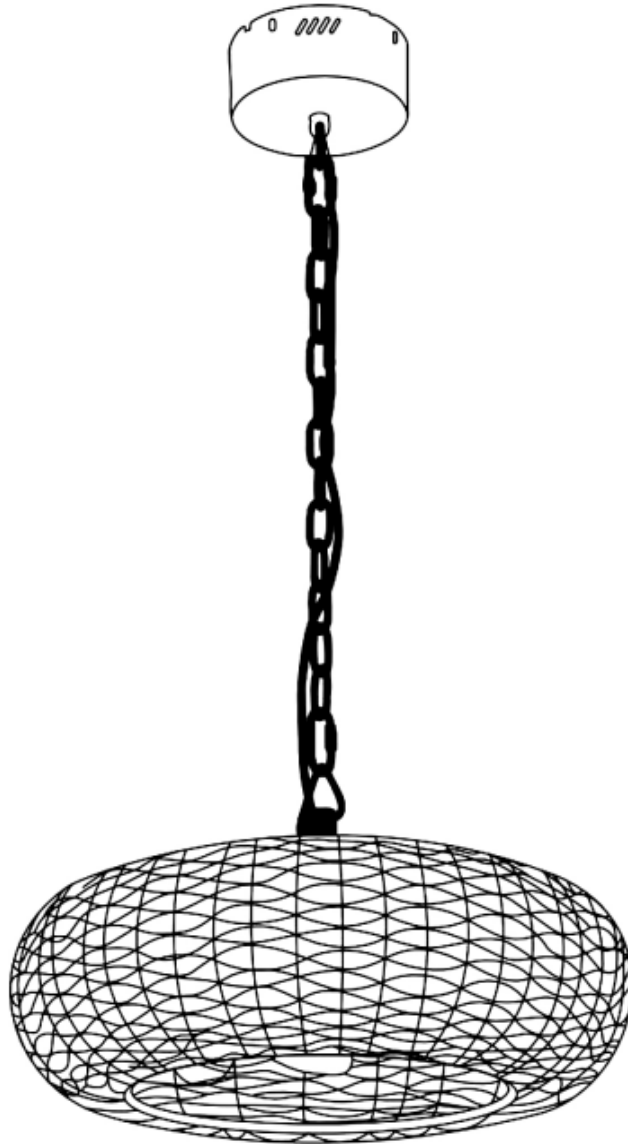


CEILING FANS WITH LIGHT



INSTALLATION & USER MANUAL

For FAQs and more information, please email to service@jazava.com,
or please contact to [+1\(626\)283-1518](tel:+16262831518), 8:30 a.m.-5:00 p.m., PST, Monday -Friday.

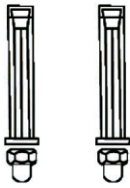
SAFTY RULES

1. To reduce the risk of electric shock, turn off the electricity to the fan at the main fuse box or circuit panel before beginning.
2. All wiring must be in accordance with the local electrical codes or National Electrical Code. Electrical installation should be performed by a qualified licensed electrician.
3. To avoid personal injury, the use of gloves may be necessary while handling fan parts with sharp edges.
4. Make sure the installation site you choose allows clear space for the blades to rotate and at least seven 7 feet (2.13 meters) of clearance between the floor and the fan blade tips. The fan should be mounted so that the tips of the blades are at least thirty 18 inches (45.72 centimeters) from walls or other upright structures.
5. **WARNING:** To reduce the risk of fire, electric shock, or personal injury, mount fan only to an outlet box marked acceptable for fan support and use mounting screws provided with the outlet box. Most outlet boxes commonly used for the support of lighting fixtures are not acceptable for fan support and may need to be replaced. Consult a qualified electrician if in doubt.
6. The outlet box and ceiling support structure must be securely mounted and capable of supporting at least 45 KGs.
7. To avoid personal injury or damage to the fan and other items, be cautious when working around or cleaning the fan.
8. Do not use water or detergents when cleaning the fan or fan blades. A dry dust cloth or lightly dampened cloth will be suitable for most cleaning.
9. After making electrical connections, spliced conductors should be turned upward and pushed carefully up into the outlet box. The wires should be spread apart with the grounded conductor and the equipment-grounding conductor on one side of the outlet box.
10. Electrical diagrams are for reference only.
11. The fan is suitable for indoor use only.

TOOLS REQUIRED



Installation Kit



AA



BB



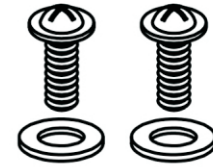
CC



DD



EE



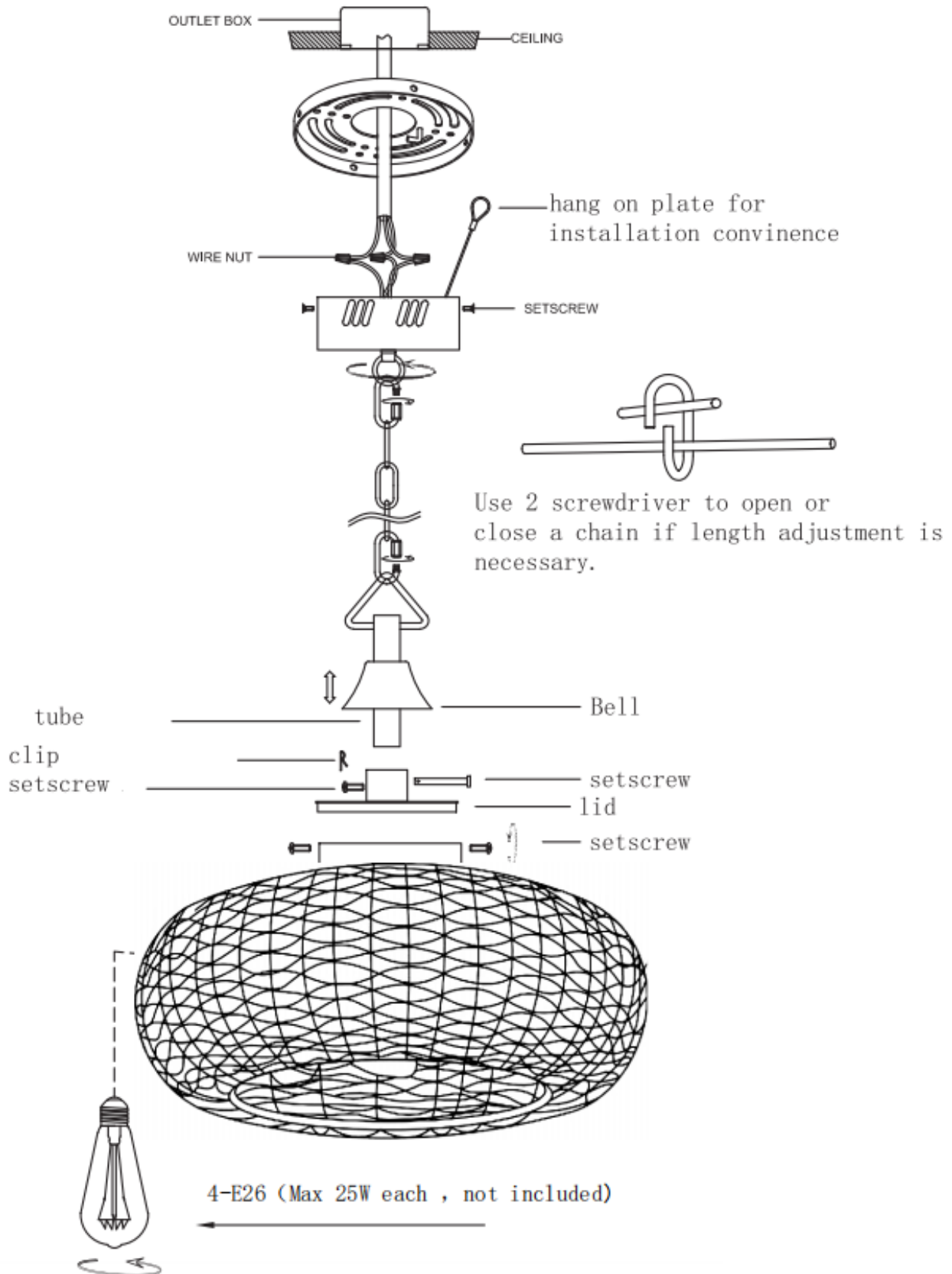
FF

Part	Description	Quantity
AA	Expansion Screw	2
BB	Wire nut	3
CC	Pair of Gloves	1
DD	Plastic wall plug	4
EE	Wood Screw (optional)	4
FF	Machine Screw & Washer for Outlet Box (spares)	2

Note:

Some extra hardware may be included. The quantity listed above is the number required for installation.

Packing List



Note:

1. The remote receiver is already assembled in the motor housing.
2. Other parts may be assembled together in the package.

INSTALLATION INSTRUCTIONS

IMPORTANT:

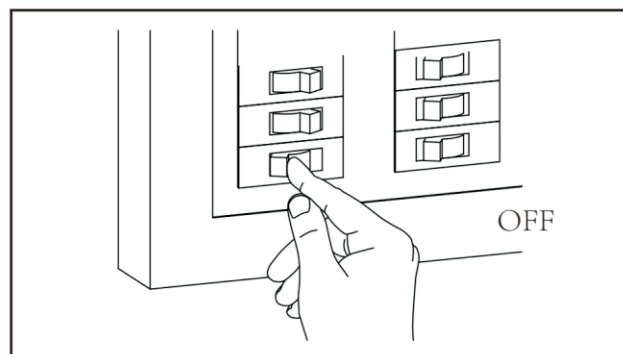
Read all instructions before installing fixtures. Retain for future reference.

SAFETY:

For your safety, this fixture must be wired in accordance to local electrical codes and ordinances. All work should be done by a qualified electrician.

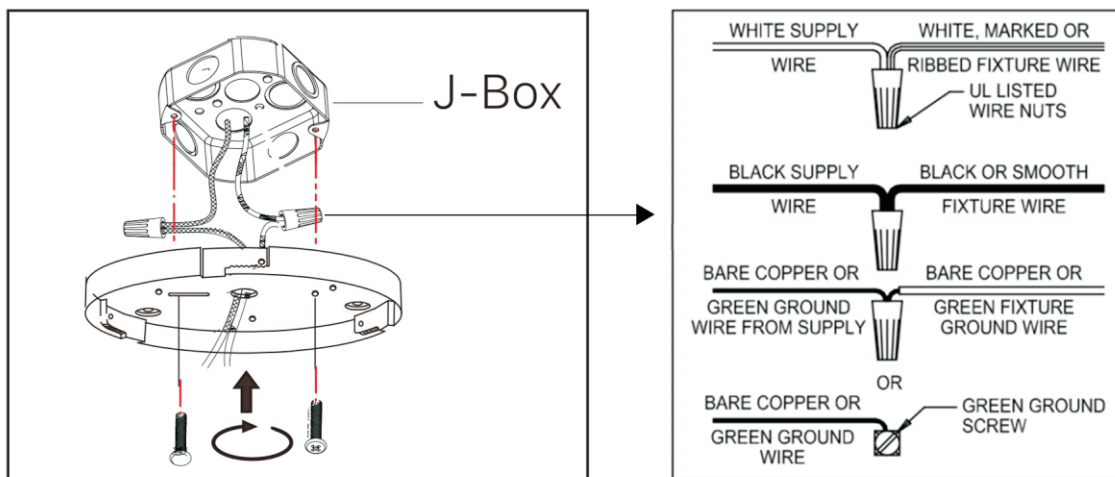
WARNING:

Make certain power is OFF from the electrical Panel before starting installation or attempting any maintenance. Indoor installation only.



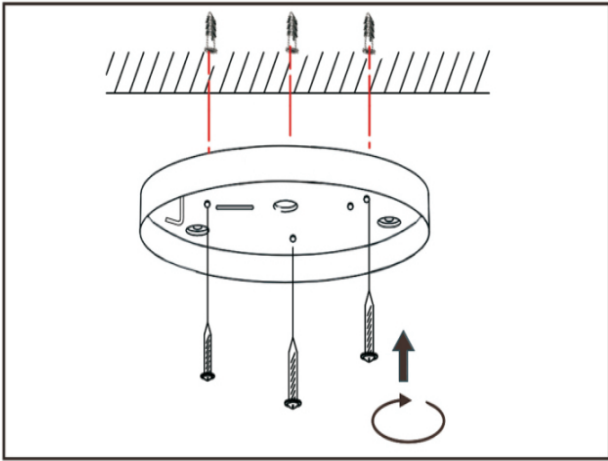
①

Please make sure turn off the power of the circuit breaker before installation.



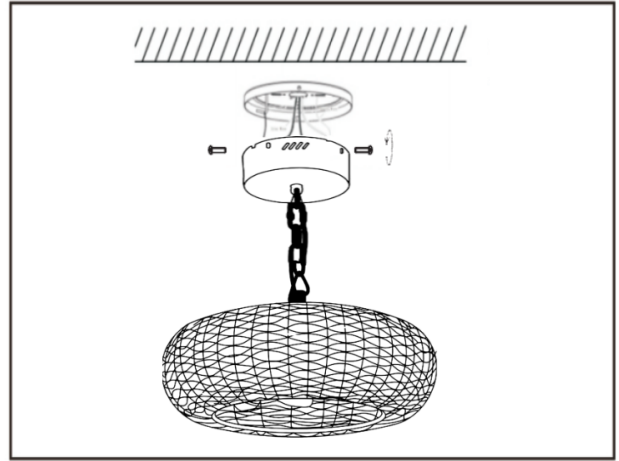
②

Screw the hanging plate to the J-box.
Connect the wires with Terminal Cap.
(Black is positive and white is negative)



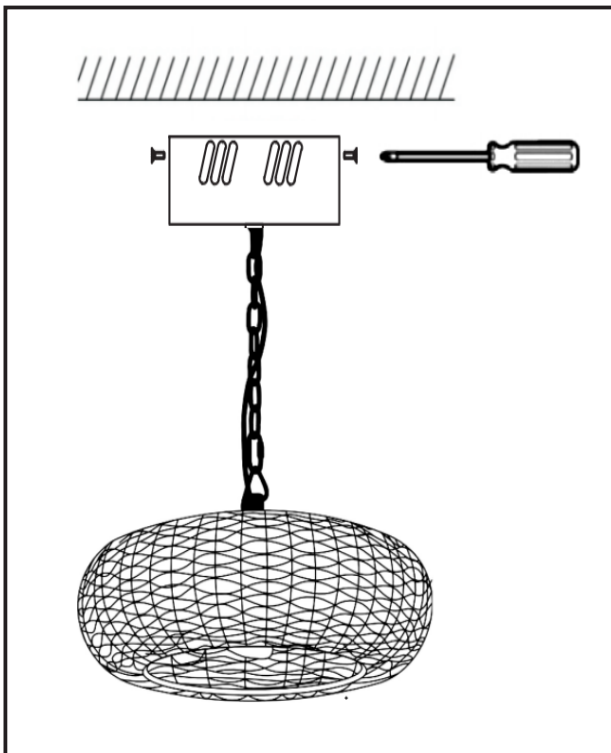
③

Screw the hanging plate to the Ceiling.



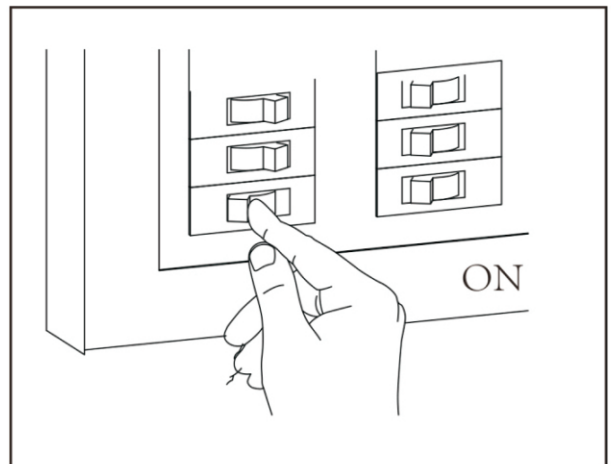
④

Hang the safety rope on the hook, connect the wires, and finally rotate the fan light to the hanging plate



⑤

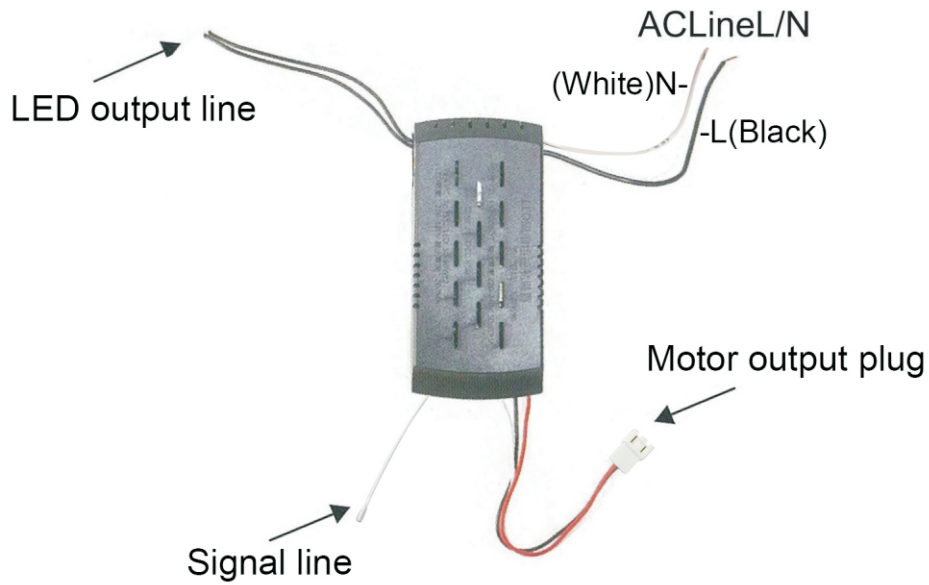
Tighten the screws of the hanging plate



⑥

Turn on the power of the circuit breaker

Controller manual

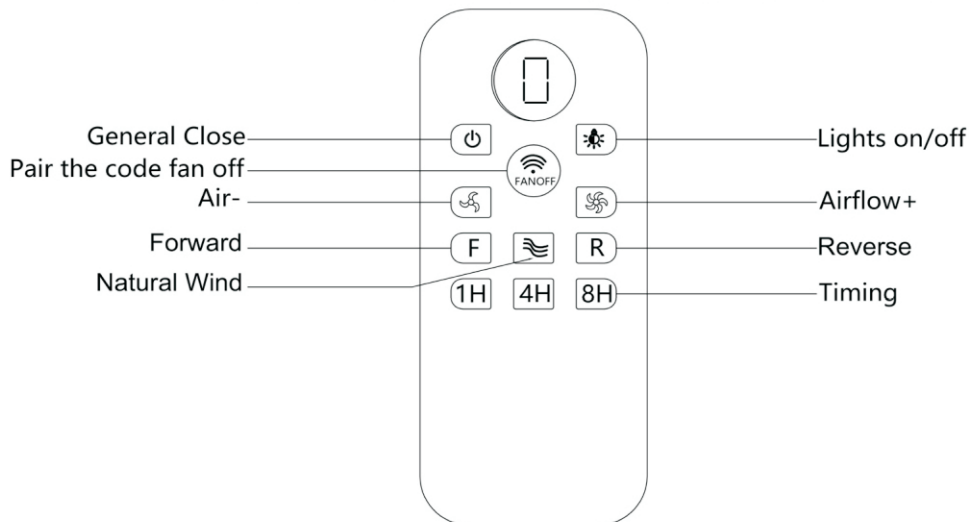


Attention thing:

- 1, The controller shall not be installed upside down to avoid affecting the unevenness of the ceiling after the cover is covered.
2. The controller is divided into input and output. It is prohibited to exchange input and output lines
3. working voltage: AC100V-240V
4. If there is a wall switch on the fan, it must be turned on to control
5. Please connect the line according to the wire color and the instructions on the sleeve
6. When using the remote control, please check whether the battery is installed properly, and pay attention to the positive and negative poles of the battery. The indicator light will flash every time you press the handle control key.

Fan Light Remote Control Manual

433MHZ FREQUENCY CONTROL ADJUSTS COLOR TEMPERATURE AND BRIGHTNESS



Battery model

7#1.5V*2 (not included)



Code matching: After powering on, within 5 seconds, press and hold the code matching fan to turn off, and the code matching is successful

Kind reminder:

When the remote control cannot be effectively controlled: please check the battery. If it is not used for a long time, please remove the battery

Trouble Shooting

1. Fan doesn't work

- Make sure the fixture is connected to an ON/OFF wall switch, not a dimmer switch.
- Check the remote control battery (not included in this package).
- Check the circuit breaker to ensure the power is on.
- Turn off power from the circuit breaker, then loosen the canopy and check all the connections according to the wiring diagram.

2. Lights Do Not Light Up / Flicker / Noisy Operation

- Make sure the fixture is connected to an ON/OFF wall switch, not a dimmer switch.
- Check your power and switch to make sure it's powered on.
- Check the bulb to make sure it's installed correctly.
- Change a new bulb.

3. Noisy Operation

- Tighten the light fitting and blade bottom cover.
- Re-tighten all screws on the bracket, downrod, and fan blades (do not over tighten).
- Check to see if any of the blades are cracked. If so, replace all of the blades.

4. Remote does not work

- Make sure the battery is installed correctly.
- Pair the remote control again.
- Install 2 new batteries.

Clean And Care

To clean, wipe the fixture with a soft cloth. Spraying from chemical cleaners can discolor the finish of the fixture. Do not use scouring pads, powders, steel wool, or abrasive paper to clean this fixture.

Ordering Parts

Keep this manual for future reference, and in case replacement parts are needed. Available parts can be ordered from the place of purchase. Use exact wording from diagrams when ordering parts.