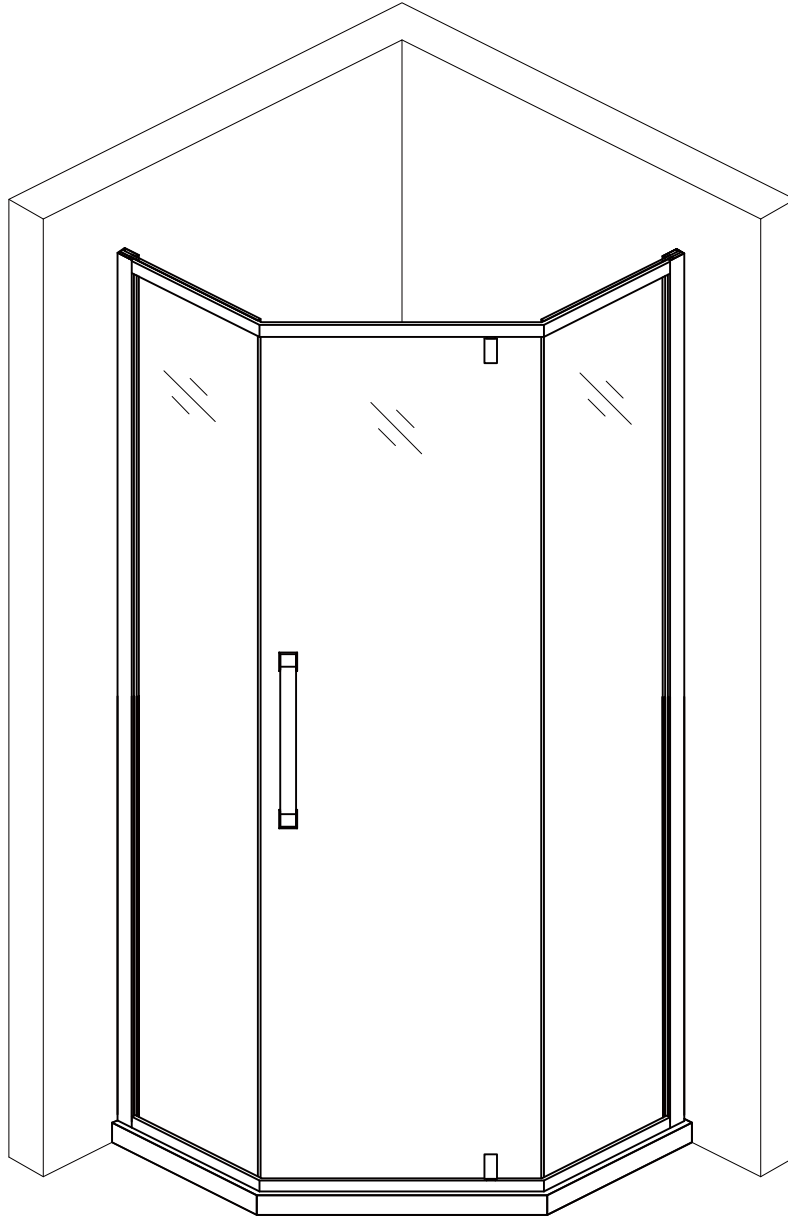


# Installation Manual

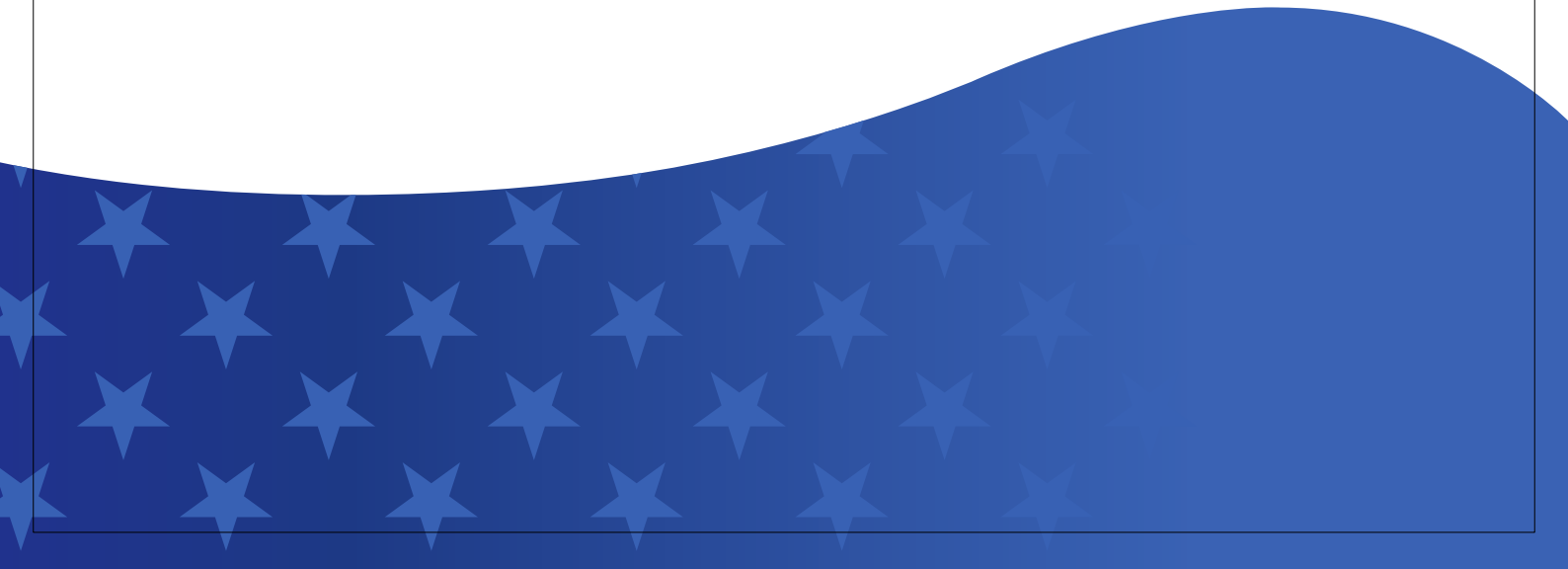


## **Neo-Angle Hinge Shower Enclosure**

Applicable Model: RX-SD06-3472BN, RX-SD06-3472CH

# INDEX

1. Installation Preparation .....	P01-02
2. Installation Instruction .....	P03-09
3. Maintenance .....	P10



# SAFETY INFORMATION

## CAUTION

Please carefully read the following important safety information before handling or installing this shower door. There is a risk of serious injury while handling this product.

### To minimize these risks, please note:

Always wear safety glasses and gloves while handling.

Always follow the installation instructions. Inspect glass for damage before installation.

Extreme caution should be taken while handling the glass during installation as the tempered glass may shatter if in contact with a hard surface.

Do not cut or modify the tempered glass as it will shatter if cut.

Carefully remove product from packaging and keep packaging until installation is complete.

Inspect all parts for damage or missing; If there is damage or part missing to the unit prior to installation, please contact customer service at the number provided in this guide.

Cover the drain with tape to prevent the loss of small parts.

The shower base and finished walls should be installed before beginning the shower door installation.

During the installation, protect the shower floor with a drop cloth to avoid damage. This product should be installed by two people who are familiar with construction requirements. Professional installation is recommended!

Keep this installation manual for future reference.

**NOTE: Two people should perform this installation.**

## NEED TOOLS



Safety Glasses



Silicone Adhesive Sealant



Tape Measure



Rags



Drill Bits



Drill



Screwdriver



Pencil



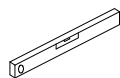
Hammer



Knife

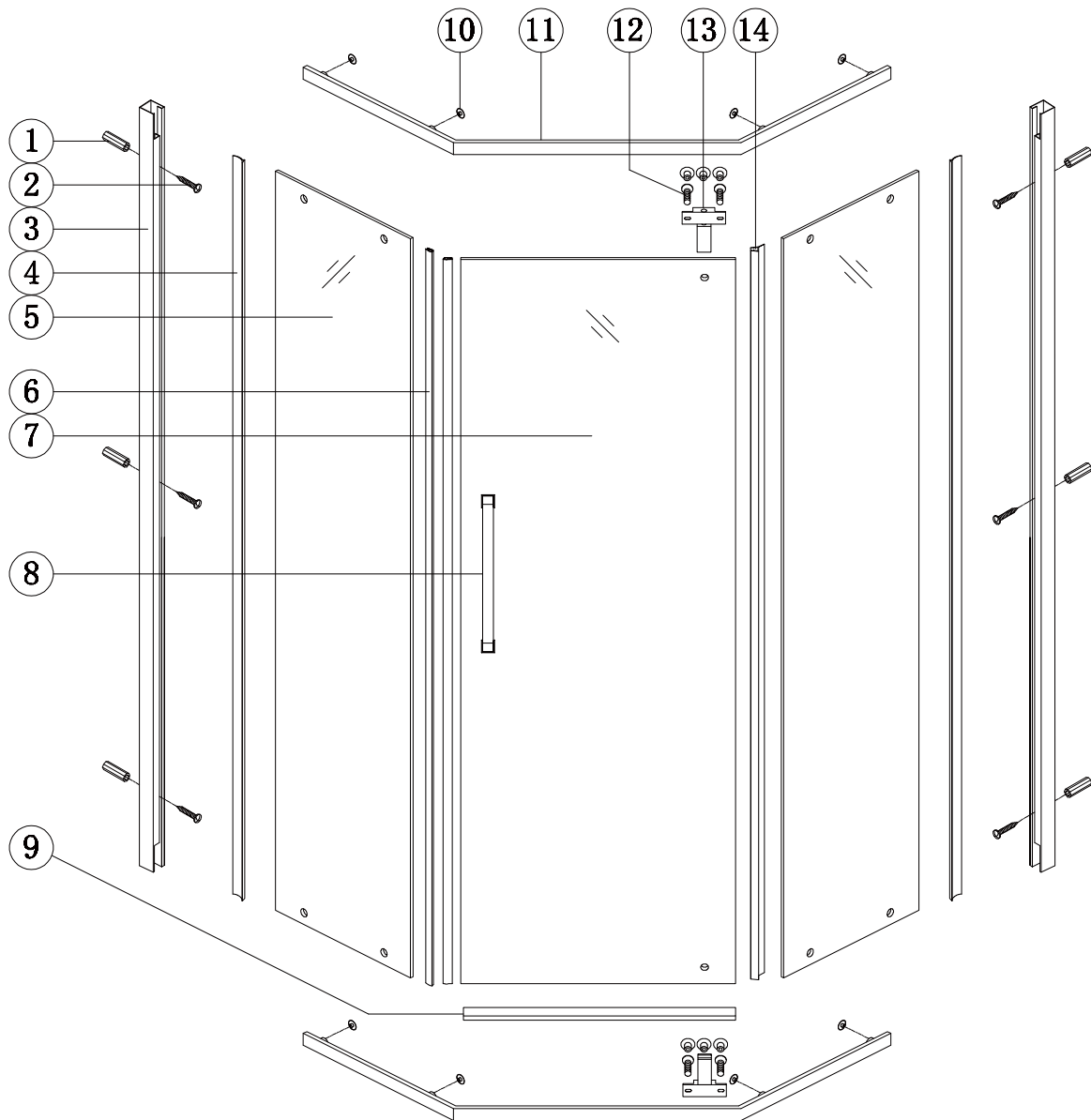


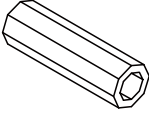
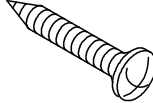
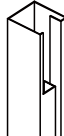


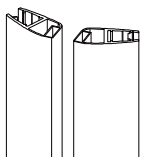
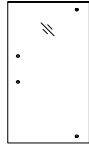
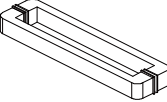
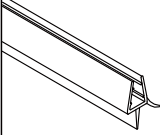


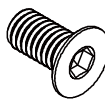
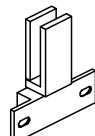

Glove



Spirit Level

# ESSENTIAL ACCESSORIES LIST

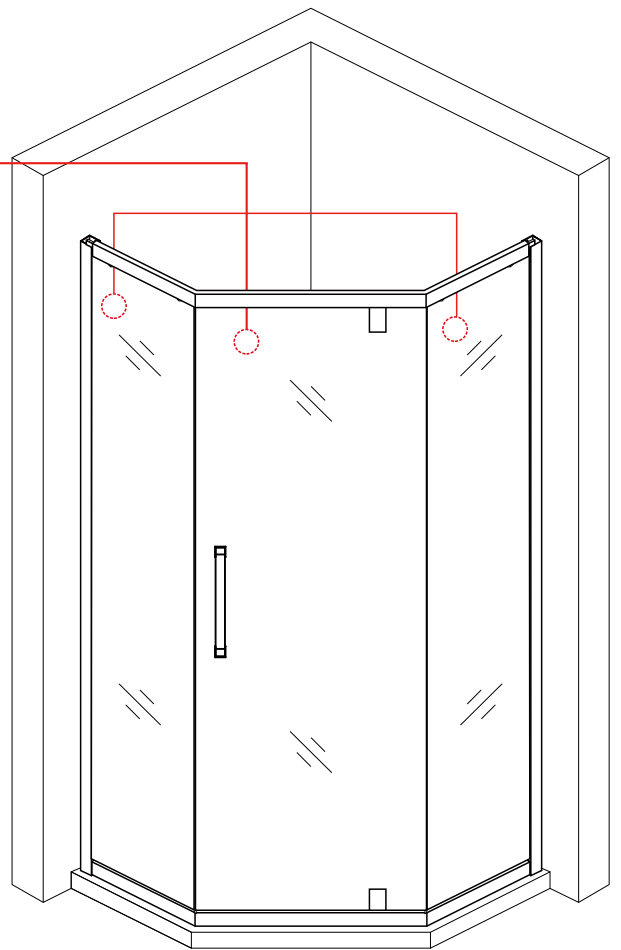


<p>① Wall anchor</p>  <p>6 Pcs</p>	<p>② St4x30 Metric Screw</p>  <p>6 Pcs</p>	<p>③ Wall Jamb</p>  <p>2 Pcs</p>	<p>④ PVC side seal strip</p>  <p>2 Pcs</p>	<p>⑤ Fixed Panel</p>  <p>2 Pcs</p>
<p>⑥ Magnetic seal strip</p>  <p>1 Pair</p>	<p>⑦ Door Panel</p>  <p>1 Pc</p>	<p>⑧ Shower Door Pull</p>  <p>1 Pc</p>	<p>⑨ Bottom seal strip</p>  <p>1 Pc</p>	<p>⑩ Screw cap</p>  <p>14 Pcs</p>
<p>⑪ Guide rail</p>  <p>2 Pcs</p>	<p>⑫ Screw</p>  <p>4 Pcs</p>	<p>⑬ Door Hinge</p>  <p>2 Pcs</p>	<p>⑭ Side seal strip</p>  <p>1 Pc</p>	

**NOTE: Inspect all parts for missing prior to installation! Contact us for any part missing.**

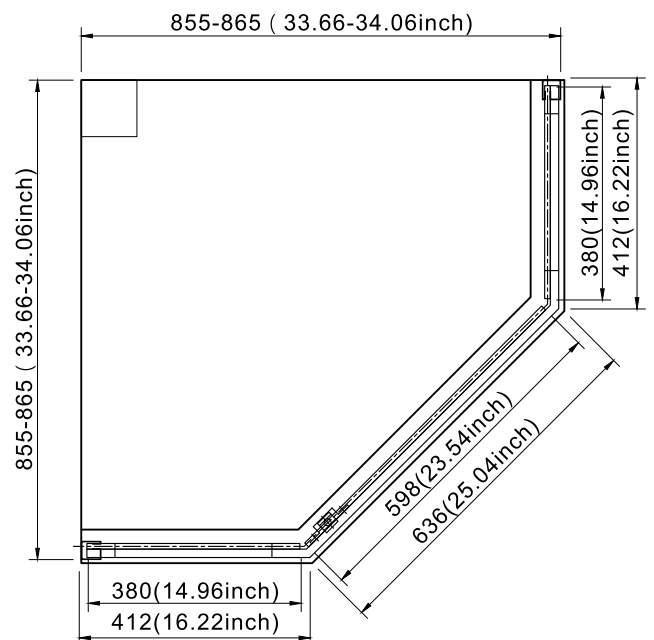
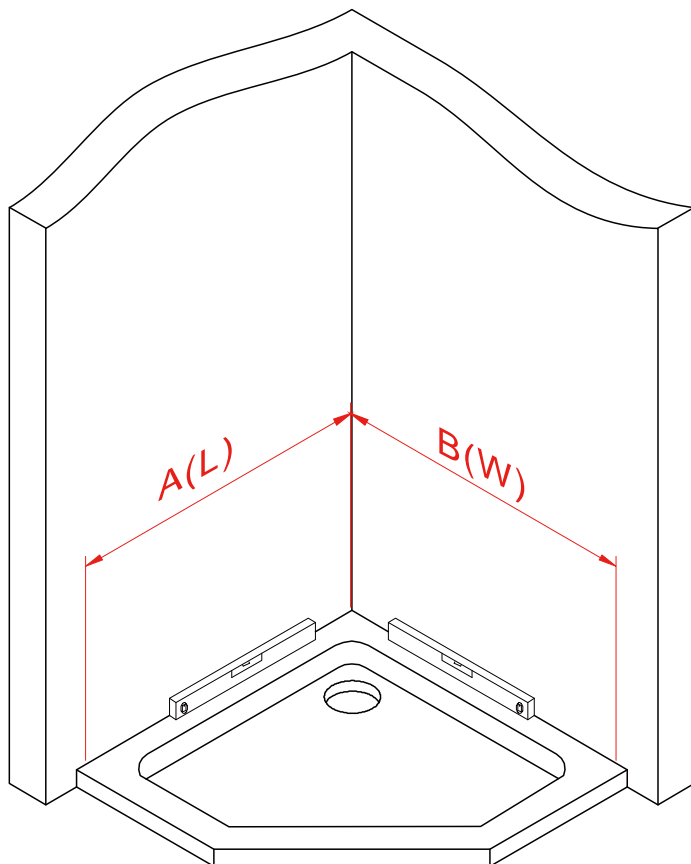


**NOTE:**Our shower door is affixed with explosion-proof film. Please install the side with the explosion-proof film prompt inside the shower room.

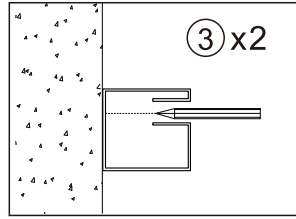
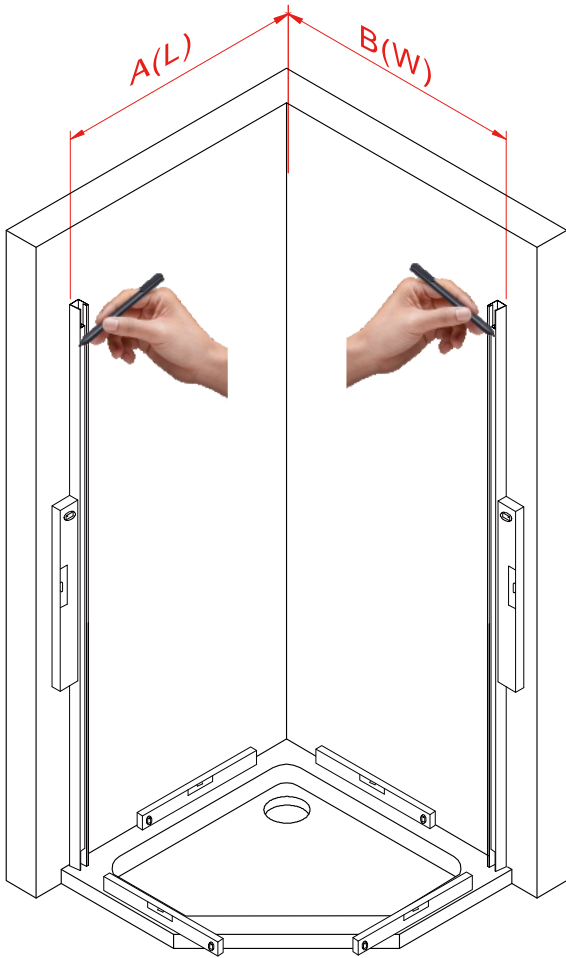


**Step1:**Measure distance A,B.

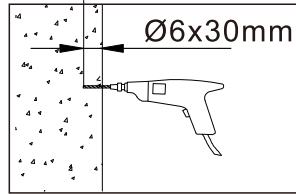
A:33.66inch-34.06inch(L), B:33.66inch-34.06inch(W).



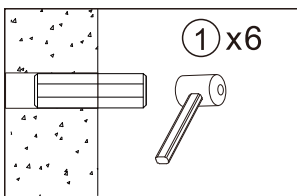
**Step2:**Place the wall jamb on the wall and mark the wall with hole positions on the jamb. Then,drill the holes and Insert the wall anchors.



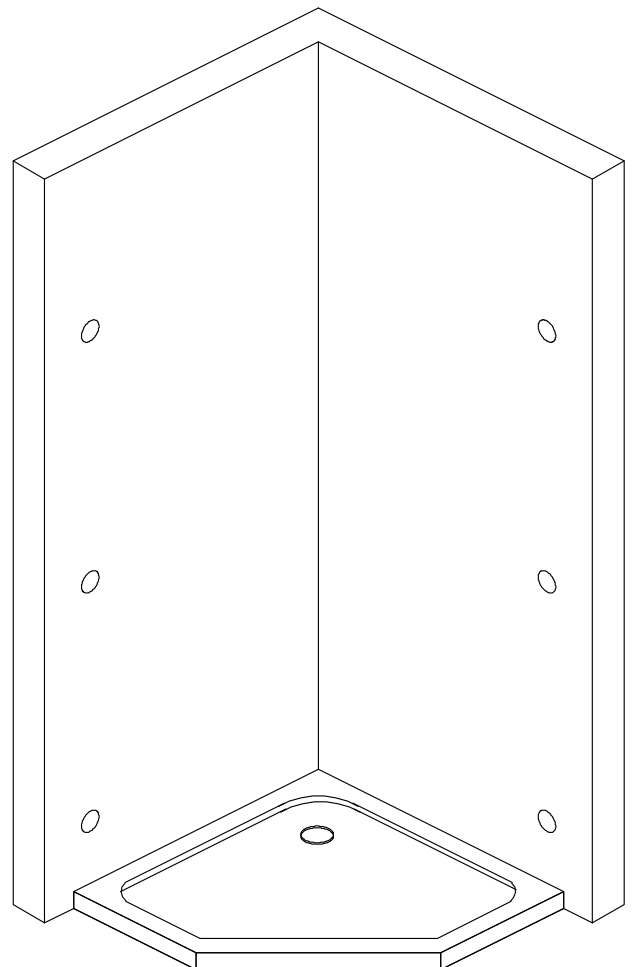
Position the wall jamb (③x2).vertically on the wall according to your spirit level,and mark the wall with hole positions on the jamb.



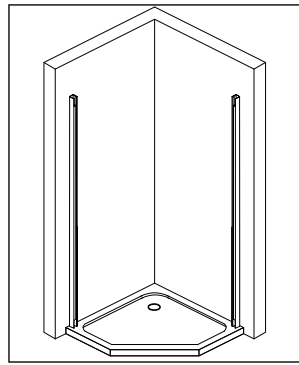
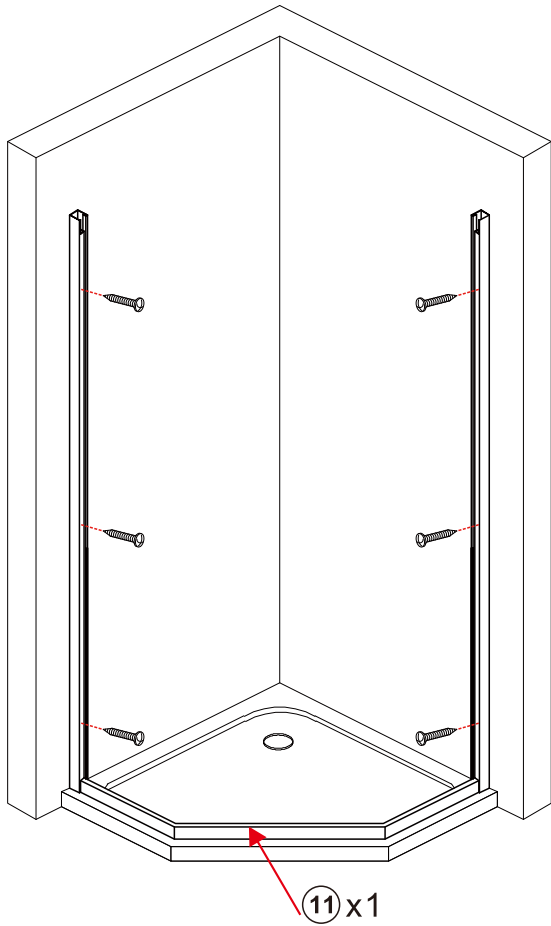
Drill the holes at your marked positions with the 6mm frill bit.  
PS:drill bit size(6\*30mm)



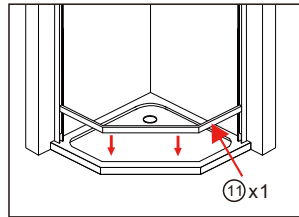
Insert the wall anchors (①x6)into the holes with a hammer.



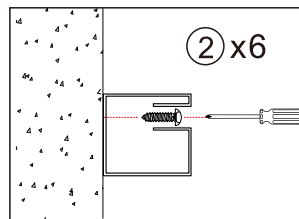
**Step3:** Place and install the wall jambs on the wall,insert the guide rails and the fixed panels into the wall jambs.



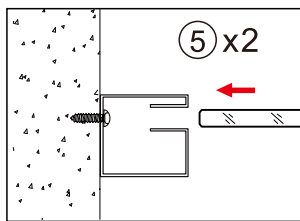
Place the wall jambs (3)x2 on the wall.



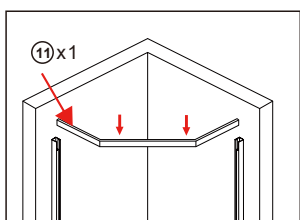
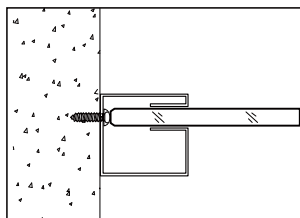
Insert the bottom guide rail (11)x1 into the wall jambs.



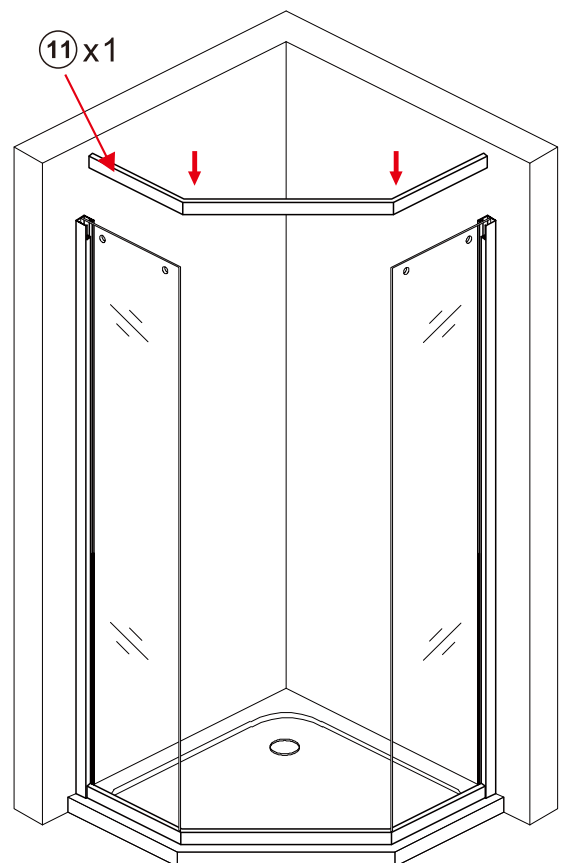
Fixed the wall jambs with screws(2)x6).



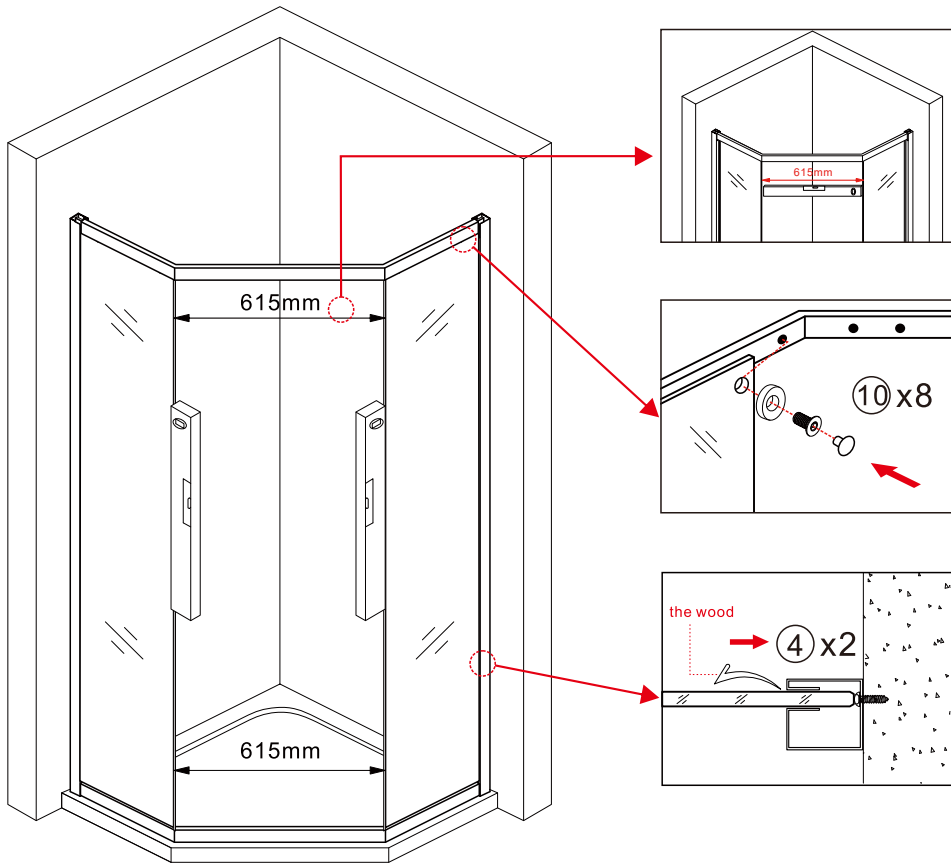
Insert the fixed panel (5)x2)into the wall jambs.



Insert the upper guide rail(11)x1) into the wall jambs.



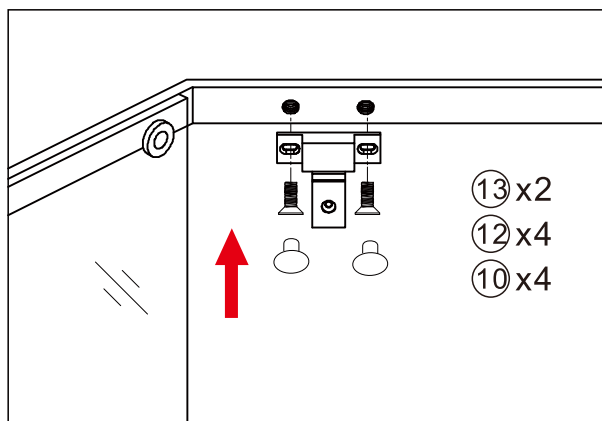
**Step4:** Make sure the distance, put on the screw cap, and Install the PVC side seal strip, the door hinge.



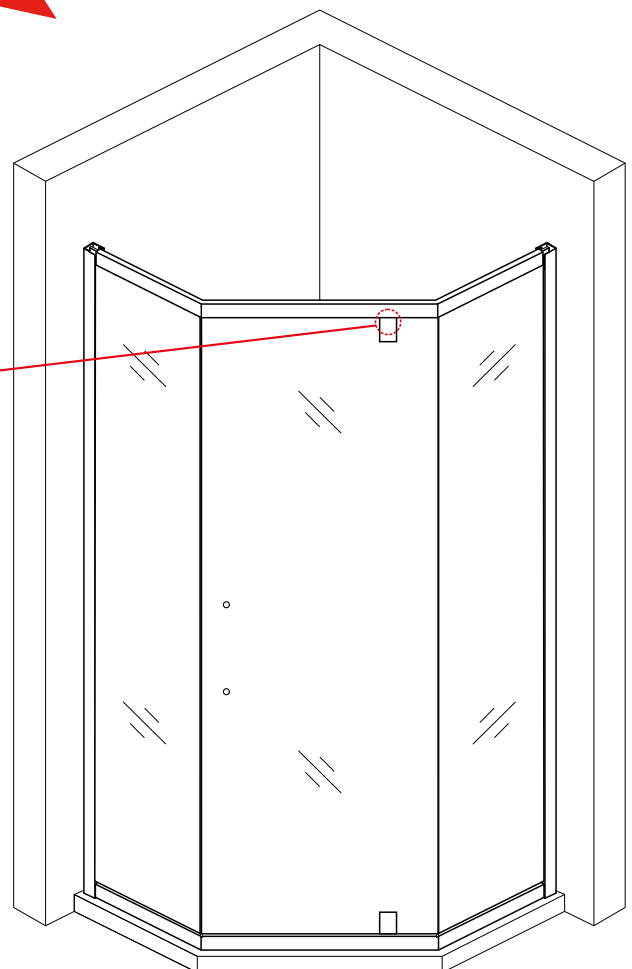
Make sure the distance is 615mm (24.21 inch).

Put on the screw cap(10x8).

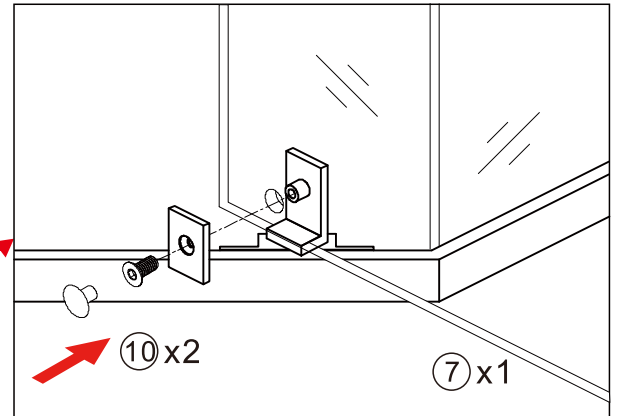
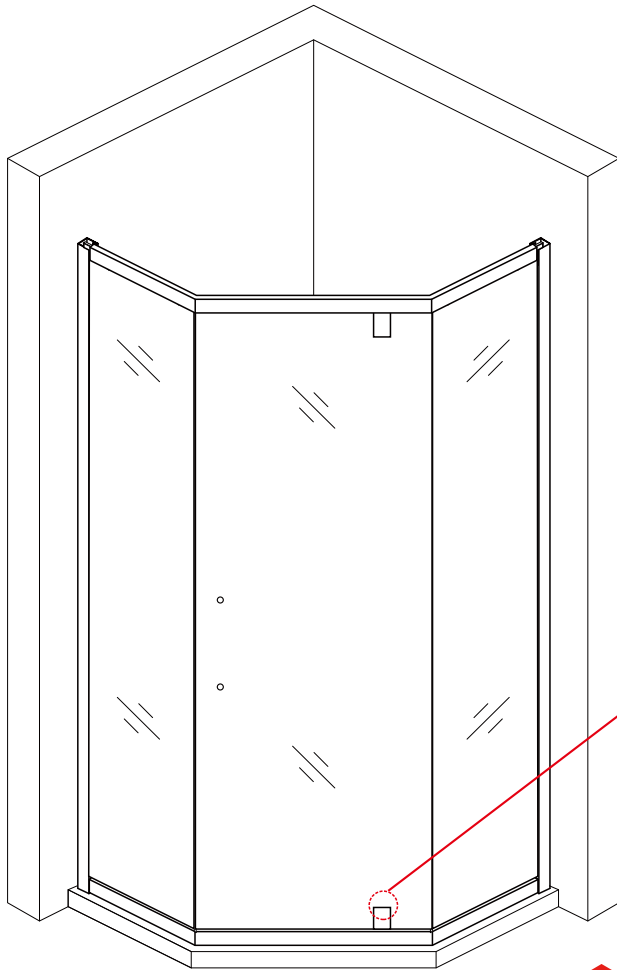
Install the PVC side seal strip(4x2).



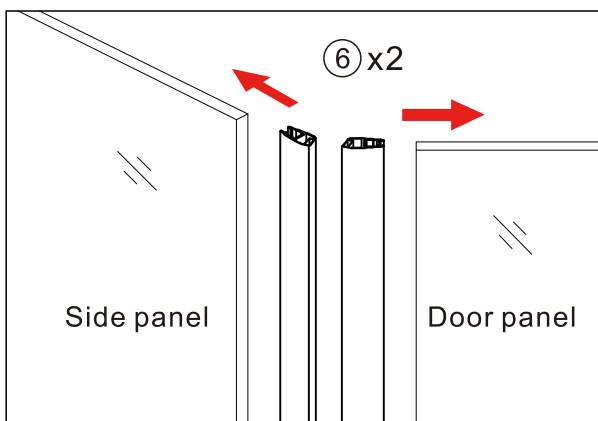
Attach the door Hinge(13x2, 12x4, 10x4) to the door panel.  
This part can adjust the distance between the glasses by moving it left and right.



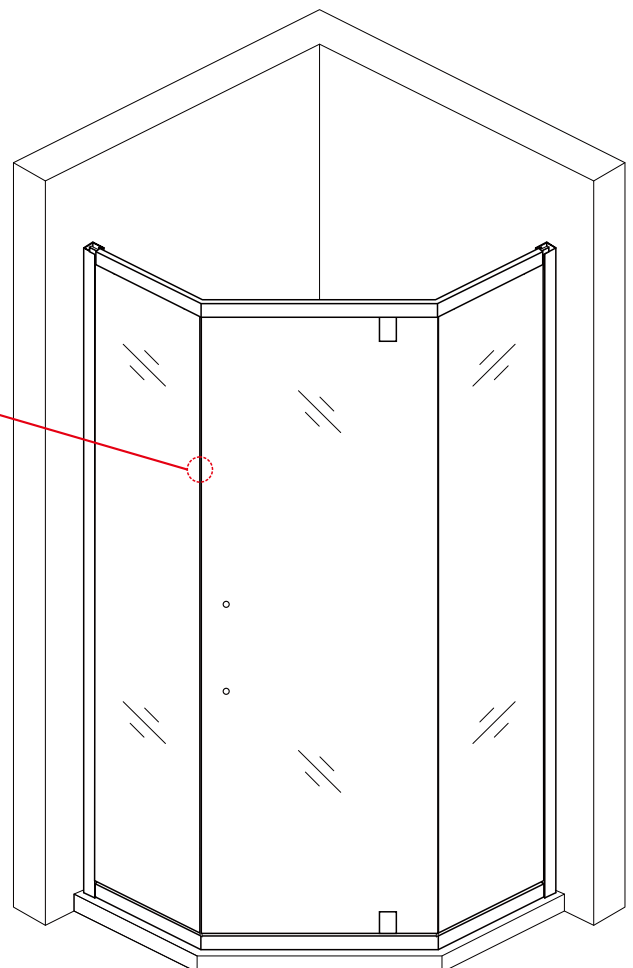
**Step5:** Attach the door hinge to the door panel, insert the magnetic seal strip into the door panel.



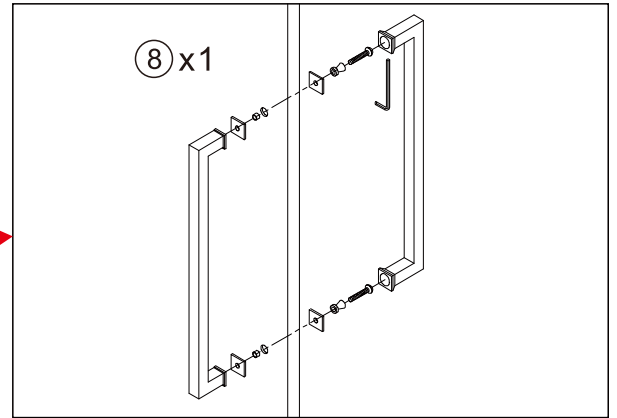
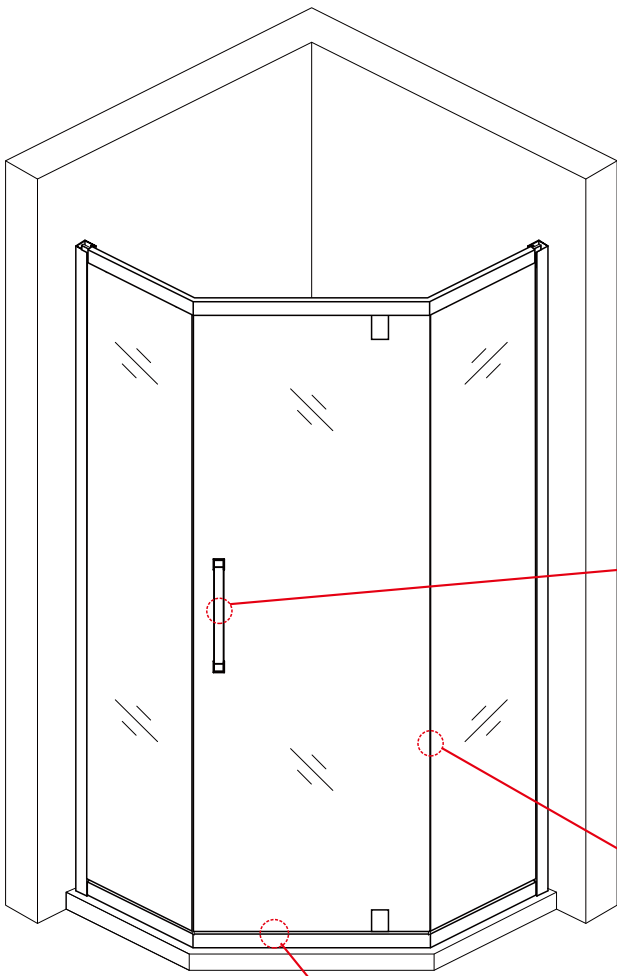
Attach the door hinge(⑩x2) to the door panel(⑦x1).



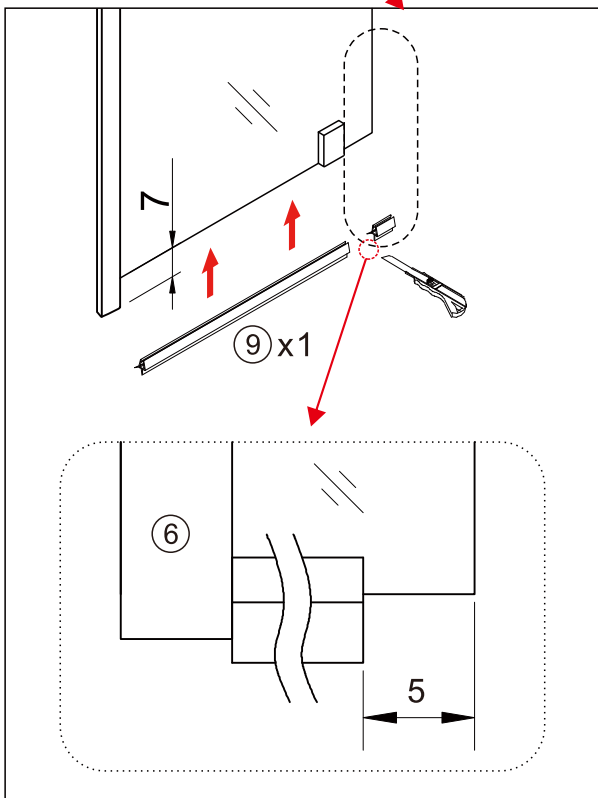
Insert the magnetic seal strip(⑥x2) into the door panel.  
The magnetic seal strip on the door panel should be cut off 18mm with a knife.  
(Seal is same height as door panel)



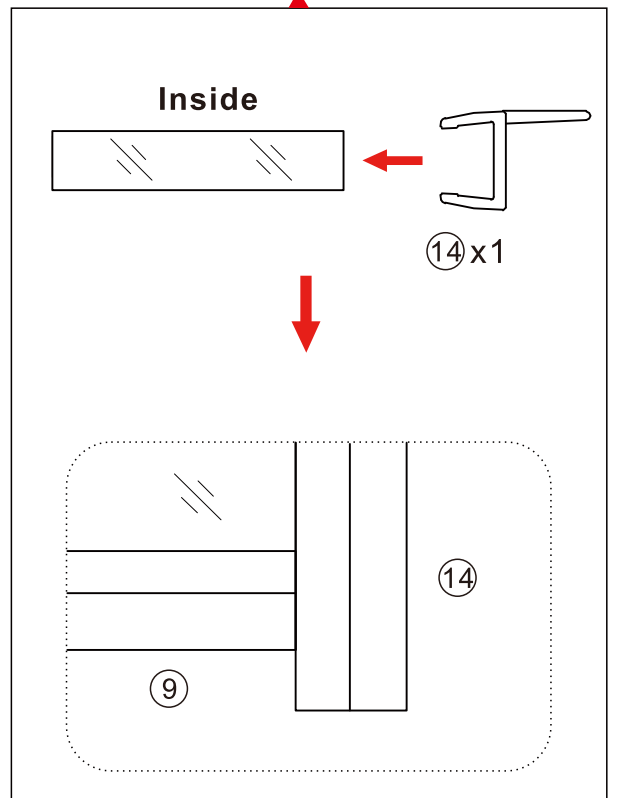
**Step6:** Attach the shower door pull to the door panel.  
 Insert the bottom seal and the side seal strips to the door panel.



Attach the shower door pull(⑧x1) to the door panel.

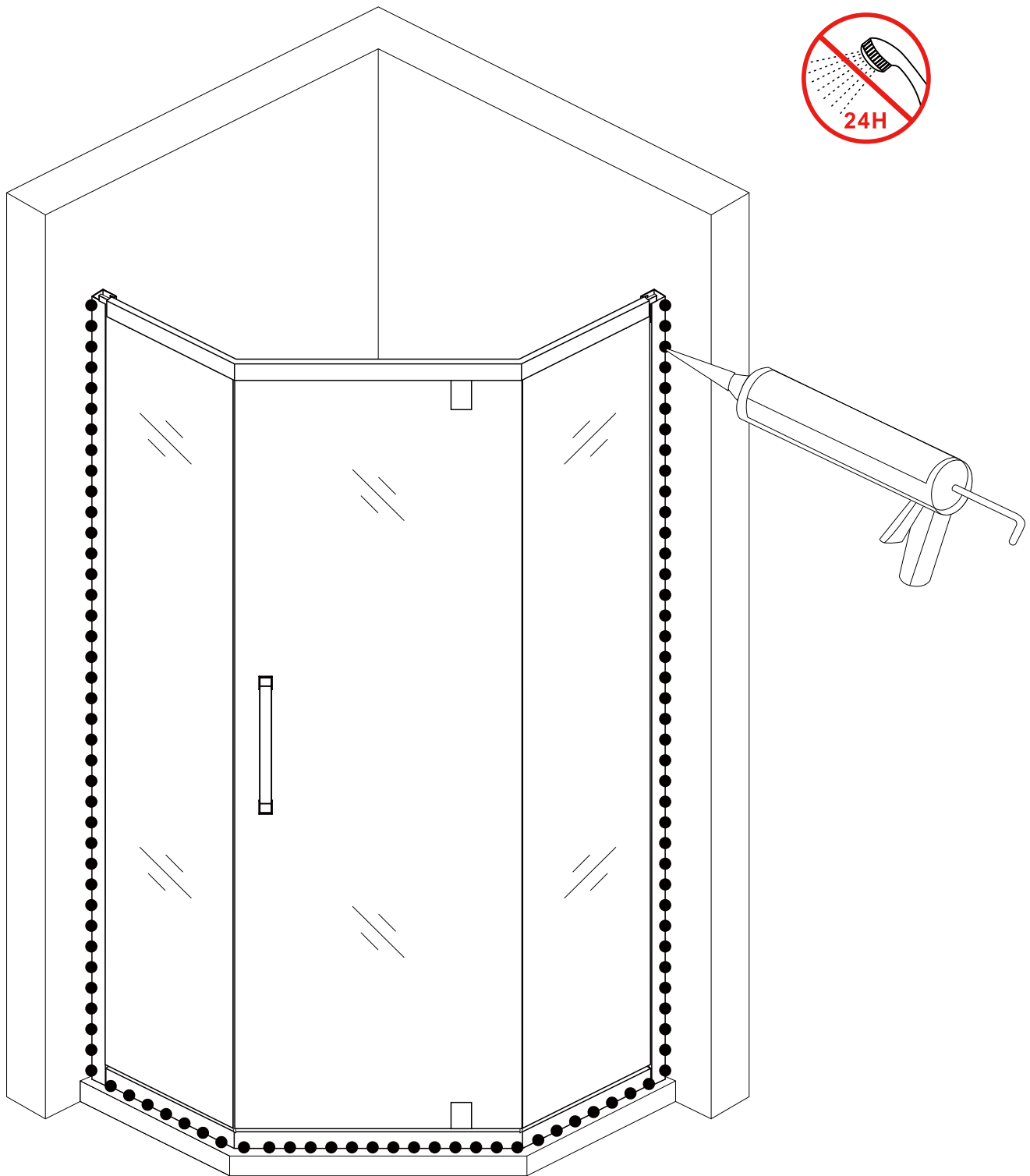


Cut the bottom seal(⑨x1) strip to the width of the door panel. Insert the bottom seal to the door panel.



Insert the side seal strip(⑭x1) to the door panel.

**Step7:Sealing.**



**NOTE:**The surfaces need to be clean and free of debris before applying silicone.  
Ensure that the Shower door closes tightly and opens smoothly.  
Apply a good quality silicone sealant along the wall Jamb and Bottom Rail.  
Allow 24 hours for the silicone to cure before using the shower.  
Use Painter's Tape to hold the Water seal tight in position while the silicone cures.

# SHOWER DOOR MAINTENANCE MANUAL

## Cleaning:

1. When cleaning the frame, glass and hardware accessories of the shower door, please use a soft cloth. If there is slight dirt, please use a soft cloth or sponge dipped in "neutral detergent" for cleaning. After removing the stubborn dirt, please rinse with plenty of water to prevent the cleaning agent from remaining on the surface of the shower door and causing corrosion damage.
2. When using the special detergent and cleaning agent for bathroom, please be sure to use it correctly according to the precautions described in the detergent. Incorrect use will cause the product to have some bad conditions, such as paint peeling, color fading, rust, tarnishing, etc.
3. Do not use the following items for cleaning: acid, alkaline solvents, medicines (such as hydrochloric acid), solvents containing bleach, acetone diluent, detergent powder, toilet cleaner, etc, otherwise the product will be damaged. There are some bad conditions, such as paint peeling, discoloration, rust, tarnishing, etc.
4. The cleaning items that can be used for the product are: soft cloth, toothbrush, neutral detergent, a mixture of diluted vinegar and salt. Note: any cleaning agent will have a certain impact on the surface of the product, so use caution. Rinse with clean water in time to prevent damage to the surface caused by the residual detergent.

## How to use and maintain the pulley of the shower door:

1. Avoid hitting the movable door with force, so as not to cause the movable door to fall off.
2. Pay attention to regularly clean the slide rails, pulleys and sliders, and add lubricant (lubricating oil or lubricating wax).
3. Regularly adjust the fixing screws of the pulley to ensure the effective bearing and good sliding of the pulley on the movable door.

## Maintenance of tempered glass:

1. Do not hit or hit the glass surface with sharp objects to avoid damage.
2. Do not wipe the glass surface with rough objects to avoid scratches.
3. After using for a period of time, the glass will remain dirt, remove the dirt on the glass. you can use a mixture of cool and salt to wash with a toothbrush, you can remove the stains. Pay attention to rinse with clean water in time after use.

# THANK YOU FOR SHOPPING WITH US!



Email: [Contactus@Rainlex-store.com](mailto:Contactus@Rainlex-store.com)

**PLEASE DO NOT RETURN TO STORE!  
PLEASE CHECK ALL THE ACCESSORIES  
BEFORE INSTALLATION.**

Tips: If there is any questions for the products, please feel free to contact us. We will solve it at the first time.

For quick and better to solve problem for you, Required information is a MUST:

1. Where you buy
2. PO Number/Tracking number
3. SKU Number
4. Problem to Clarify
5. Picture/Video