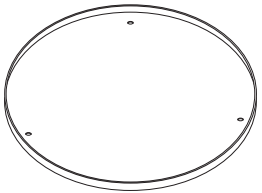

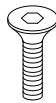
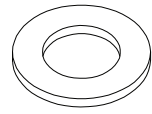
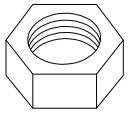
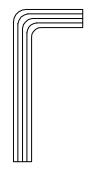
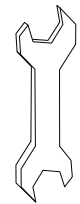





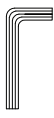

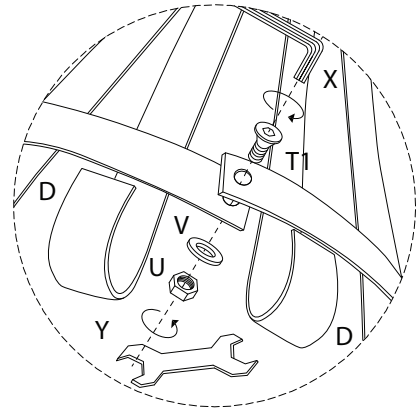
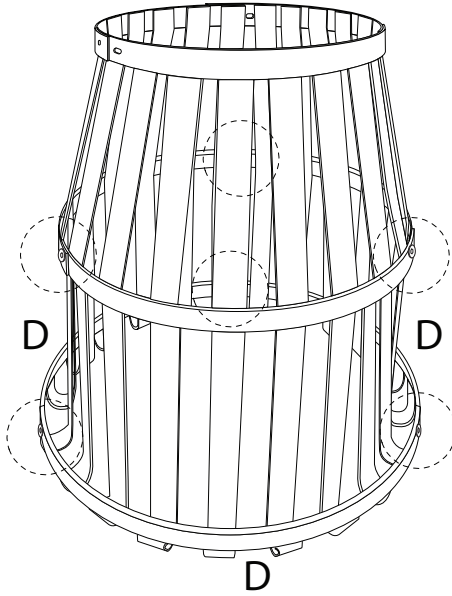






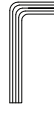

<p><b>G</b></p>  <p><b>x 1</b></p>	<p><b>T1</b></p>  <p>M6 x 15</p> <p><b>x 12</b></p>	<p><b>T2</b></p>  <p>M6 x 20</p> <p><b>x 3</b></p>	<p><b>U</b></p>  <p><b>x 15</b></p>
<p><b>V</b></p>  <p><b>x 15</b></p>	<p><b>X</b></p>  <p><b>x 1</b></p>	<p><b>Y</b></p>  <p><b>x 1</b></p>	<p><b>Z</b></p>  <p><b>x 1</b></p>

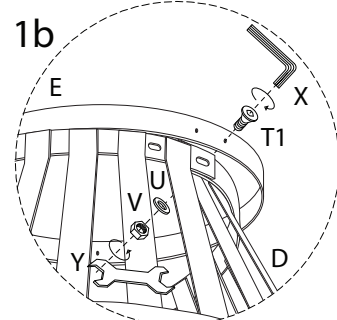
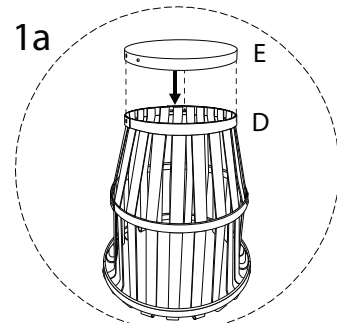
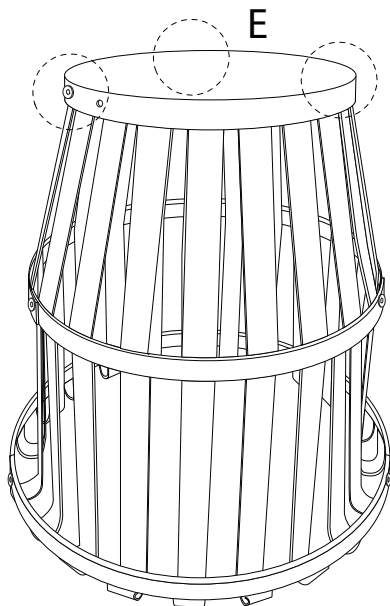
1

<b>D</b>  x 3	<b>T1</b>  x 6	<b>U</b>  x 6	<b>V</b>  x 6	<b>X</b>  x 1	<b>Y</b>  x 1
------------------------------------------------------------------------------------------------------	-------------------------------------------------------------------------------------------------------	------------------------------------------------------------------------------------------------------	-------------------------------------------------------------------------------------------------------	--------------------------------------------------------------------------------------------------------	--------------------------------------------------------------------------------------------------------




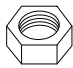
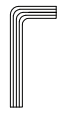



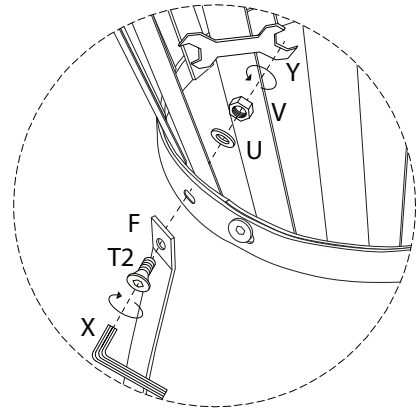
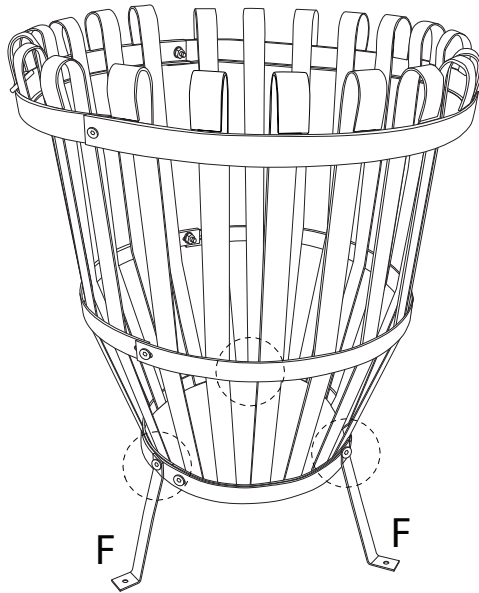
2

<b>E</b>  x 1	<b>T1</b>  x 3	<b>U</b>  x 3	<b>V</b>  x 3	<b>X</b>  x 1	<b>Y</b>  x 1
--------------------------------------------------------------------------------------------------------	---------------------------------------------------------------------------------------------------------	--------------------------------------------------------------------------------------------------------	---------------------------------------------------------------------------------------------------------	----------------------------------------------------------------------------------------------------------	----------------------------------------------------------------------------------------------------------




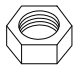
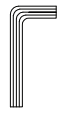



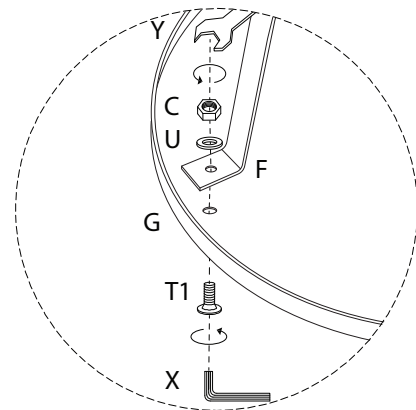
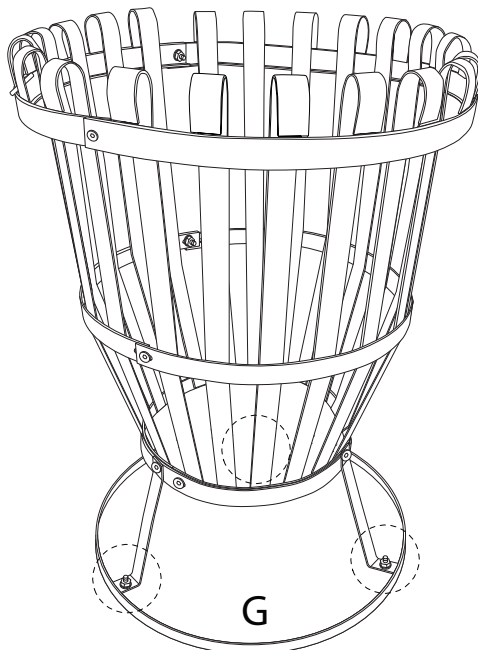
3

<b>F</b>  x 3	<b>T2</b>  M6 x 20 x 3	<b>U</b>  x 3	<b>V</b>  x 3	<b>X</b>  x 1	<b>Y</b>  x 1
------------------------------------------------------------------------------------------------------	---------------------------------------------------------------------------------------------------------------------	------------------------------------------------------------------------------------------------------	-------------------------------------------------------------------------------------------------------	--------------------------------------------------------------------------------------------------------	--------------------------------------------------------------------------------------------------------

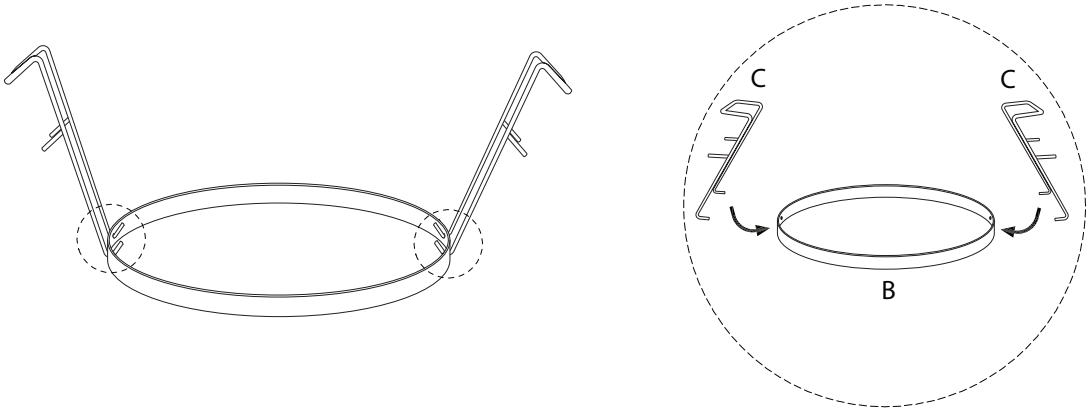
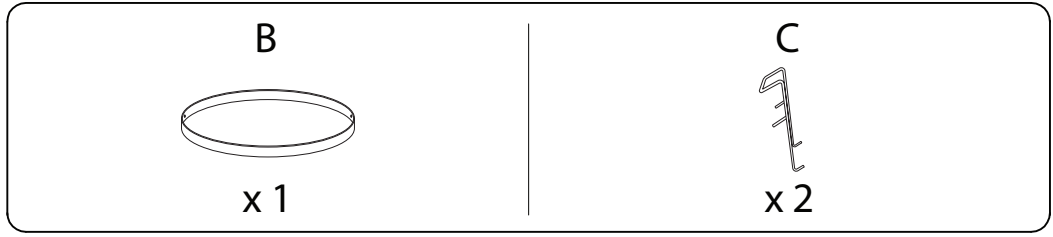


4

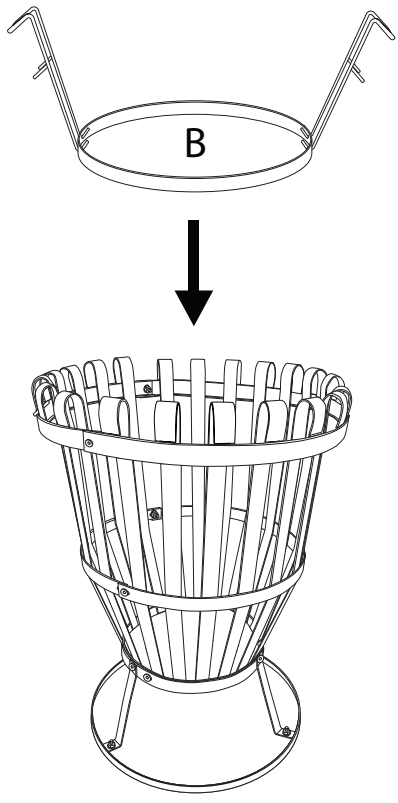
<b>G</b>  x 1	<b>T1</b>  M6 x 15 x 3	<b>U</b>  x 3	<b>C</b>  x 3	<b>X</b>  x 1	<b>Y</b>  x 1
--------------------------------------------------------------------------------------------------------	-----------------------------------------------------------------------------------------------------------------------	--------------------------------------------------------------------------------------------------------	---------------------------------------------------------------------------------------------------------	----------------------------------------------------------------------------------------------------------	----------------------------------------------------------------------------------------------------------



5



6



7

